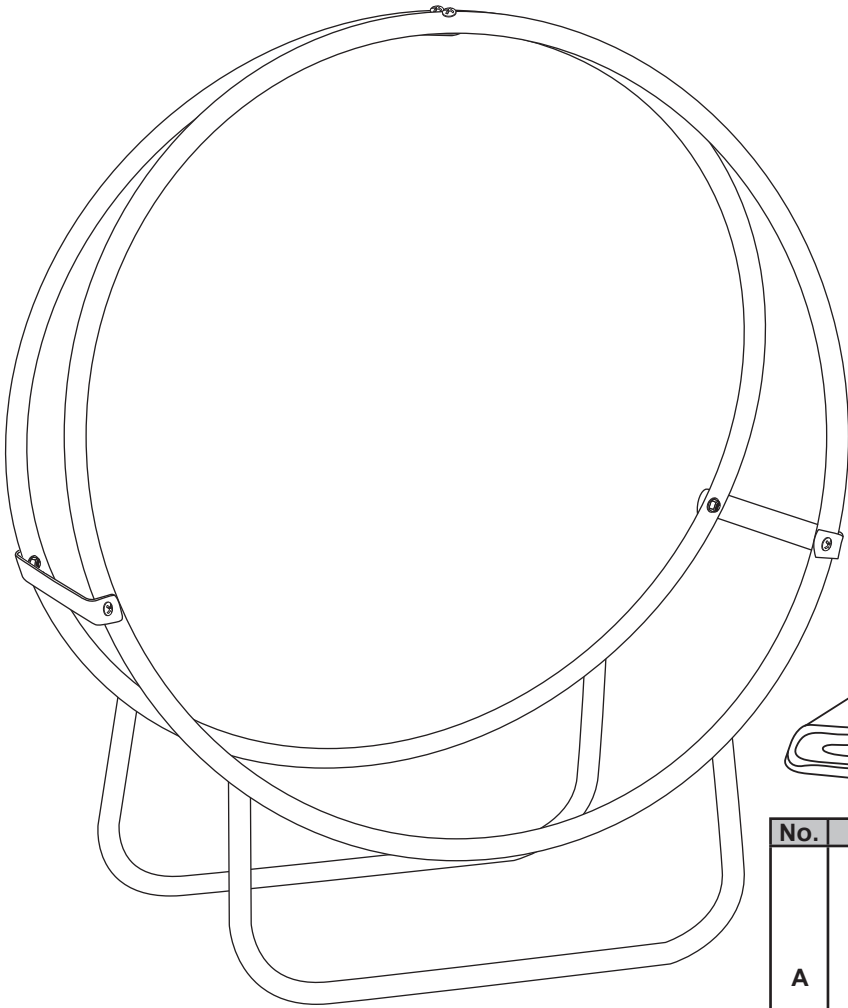




Purchase Date: / / Order/Customer Reference Number:

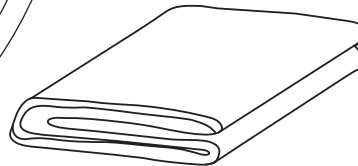
We stand behind our brand and the quality of the items we sell. Replacement parts or products can be requested within the 1-year warranty period. Proof of purchase must be provided. This includes the date of the purchase as well as photos of the product defect. Photos are used to determine the cause of the defect and to provide future quality control. The request will be reviewed, and replacement pieces will be sent at our discretion.

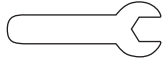
STEEL FIREWOOD LOG HOOP COVER-COMBO

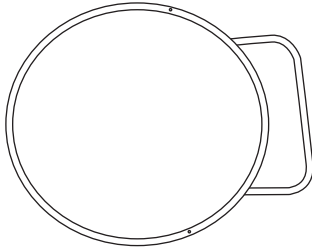


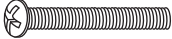



Review all assembly and care information before using this product. Save this manual for future reference.
Assemble components on a soft, clean surface to avoid damaging the finish.



 Inspect packaging to ensure all parts are accounted for before disposing of packing materials.
 Save the packing slip.



| INCLUDED TOOLS | |
|---|---------|
|  | Hex Key |
|  | Spanner |

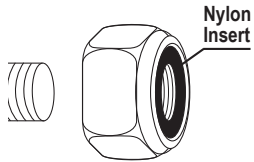
| No. | PARTS | QTY. |
|-----|--|------|
| A |  Side Panel | 2 |
| B |  Top Bracket | 1 |
| C |  Side Bracket | 2 |
| D |  M6x30mm Bolt | 6 |
| E |  Washer | 6 |
| F |  Lock Nut | 6 |
| G |  Cover | 1 |

WARNING

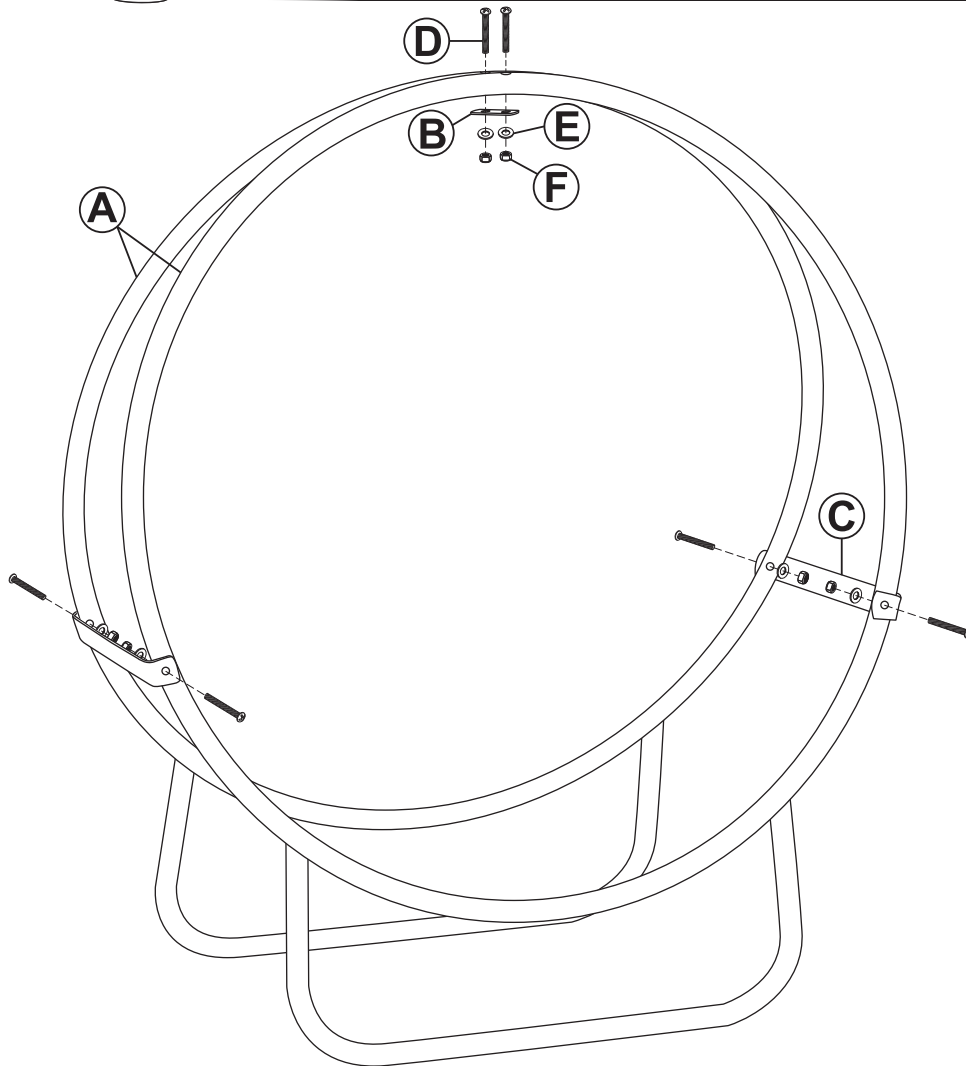
CHOKING HAZARD — This item contains small parts that can be swallowed. Keep children and pets away during assembly.

ASSEMBLY

Review all information and understand assembly before beginning.



! IMPORTANT: Lock nuts must be installed with the nylon insert on the outside. Tools are required to fully tighten lock nuts, failure to properly tighten the lock nuts may result in product malfunction or personal injury.



1. Insert one M6x30mm Bolt (D) into the top of Side Panel (A). Repeat for the remaining panel.
2. Loosely secure the top of log hoop using Top Bracket (B), two Washers (E) and two Lock Nuts (F), as shown.
3. Align Side Brackets (C) with the sides of the hoop and secure using M6x30mm Bolts (D), Washers (E) and Lock Nuts (F).
4. Tighten all hardware using included Spanner (G) and Phillips Hex Key (H).

TIP: To tighten the hardware more quickly, turn the screwdriver in the bolt head clockwise while simultaneously turning the spanner on the lock nut counterclockwise.

! SAFETY STATEMENTS & WARNINGS !

- Place log rack on a hard, dry surface.
- Do not overload the log rack — holds approximately 1/8 face-cord of firewood.
- Ensure fittings are tight before use. Periodically check and tighten hardware as necessary.
- Protect the unit from outdoor elements with a cover. Cover not included.
- Do not allow children to play with or around the log rack.

Any modification to the product or failure to follow recommended care will void the product warranty.

! WARNING!

Manufacturer and seller expressly disclaim any and all liability from personal injury, property damage or loss, whether direct or indirect, or incidental, resulting from the incorrect attachment, improper use, inadequate maintenance, or neglect of this product.