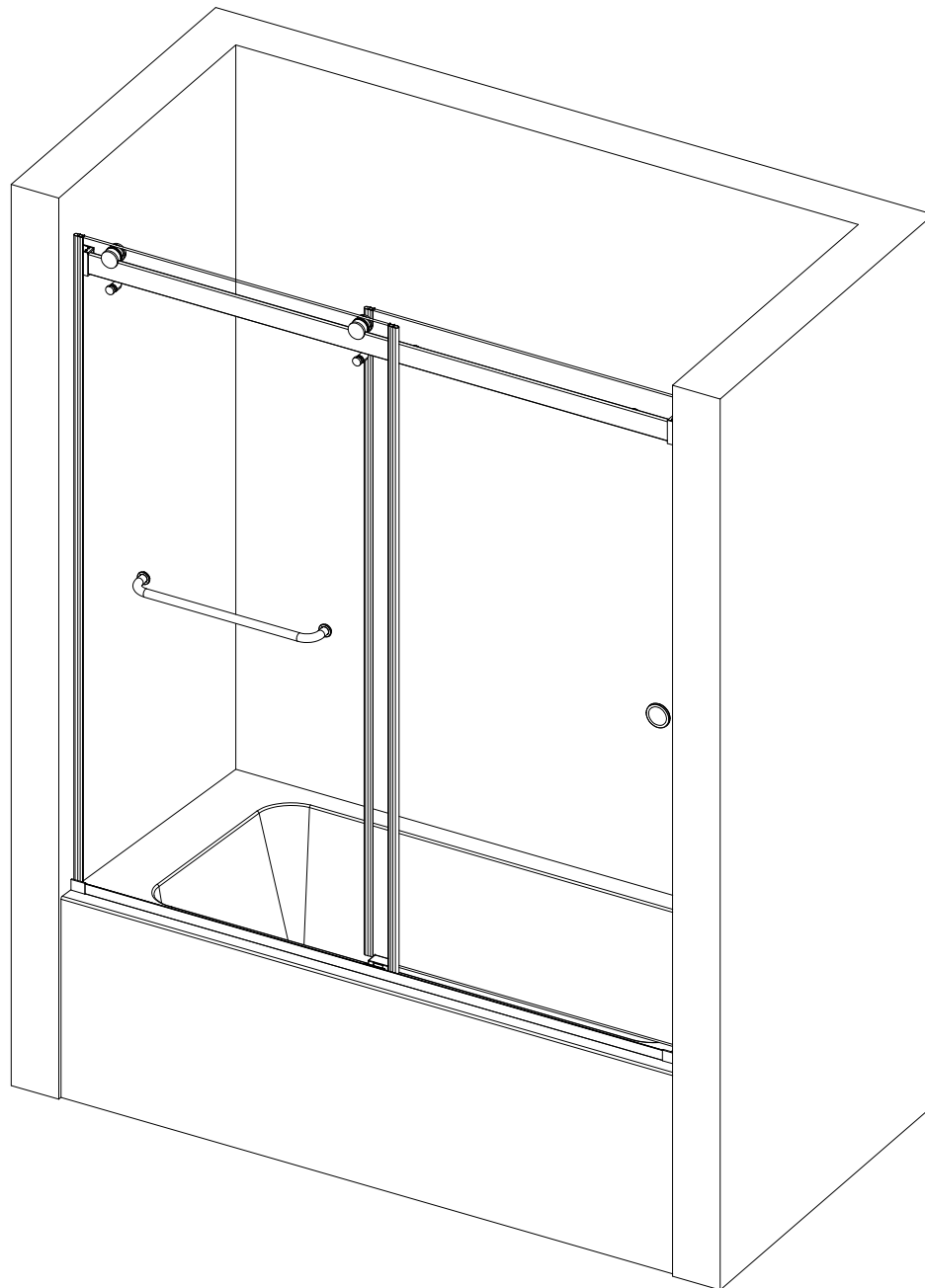


TUB BI-PASS ENCLOSURE INSTALLATION INSTRUCTION PLEASE
REVIEW THIS ENTIRE MANUAL PRIOR TO INSTALLATION

T18 Series



NOTE:

In order to improve the product and customer experience, we reserve the right to change, modify or re-design the product at any time without notice.

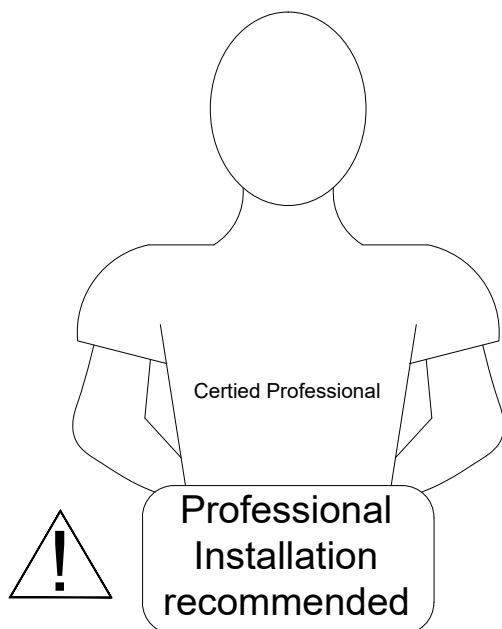
Please refer to the latest technical drawings, installation manuals, warranty information or other product details.

Contact us for any issue prior to return.

Important Notice

This product should be installed by personnel familiar with the construction requirements of such projects, and pay attention to safe installation and operation.

- * To prevent damage or serious injury, do not lean on installed panels/doors/glass.
- * Do not attempt to lift or move heavy glass alone, use professional glass suction cups when handling alone.
- * Installation of some models may require drilling holes in the threshold, for any questions regarding drilling holes in the base, tub or threshold material, contact the manufacturer of the base, tub or threshold material.
- * All drawings in this installation manual are for reference only.



This product should be installed by someone familiar with the construction requirements for this type of project and the care necessary for the safe installation and operation of the product.

Table of Contents

Section Title	Page #
WARNING AND PREPARATION	1
ASSEMBLY DRAWING AND BOM	2
EXTERIOR & INTERIOR DEFINITION	3
LEDGE LEVEL CHECKING	4
LEFT & RIGHT FIXED DEFINATION	5
INSTALLATION SIZE AND CUTTING FORMULA	6
DOOR RAIL WALL CONNECTOR POSITION	7-8
INSTALL ROLLER AND GLASS PANEL	9-11
TOWEL BAR, HANDLE AND SPARE PART	12
SILICONE PROCESS FOR PRODUCT	13

PRODUCT SIZE

	Size in:in	ADJUSTMENT (W)	
		MIN (W)	MAX (W)
T18S60	60"x56"	60"	61 $\frac{3}{16}$ "
T18B60	60"x56"	60"	61 $\frac{3}{16}$ "
T18G60	60"x56"	60"	61 $\frac{3}{16}$ "

◆ General information

Please inspect the product immediately upon receipt for transit damage, missing packs/parts or manufacturing fault. Damage reported later cannot be accepted. Please handle the product with care avoiding knocks and shock loading to all sides and edges of the glass.

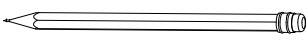
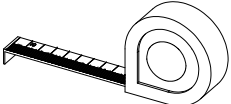

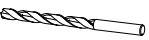
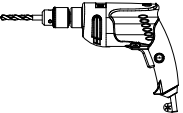


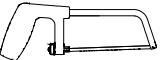
Note: Safety glass can not be re-worked.



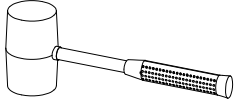
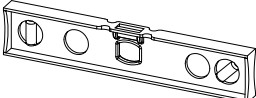
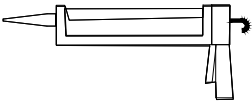
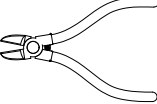

- Please read these instructions carefully before start of installation.
- Special care should be taken when drilling walls to avoid hidden pipes or electrical cables.
- Note: this product is heavy and required two persons install.

Aftercare instructions

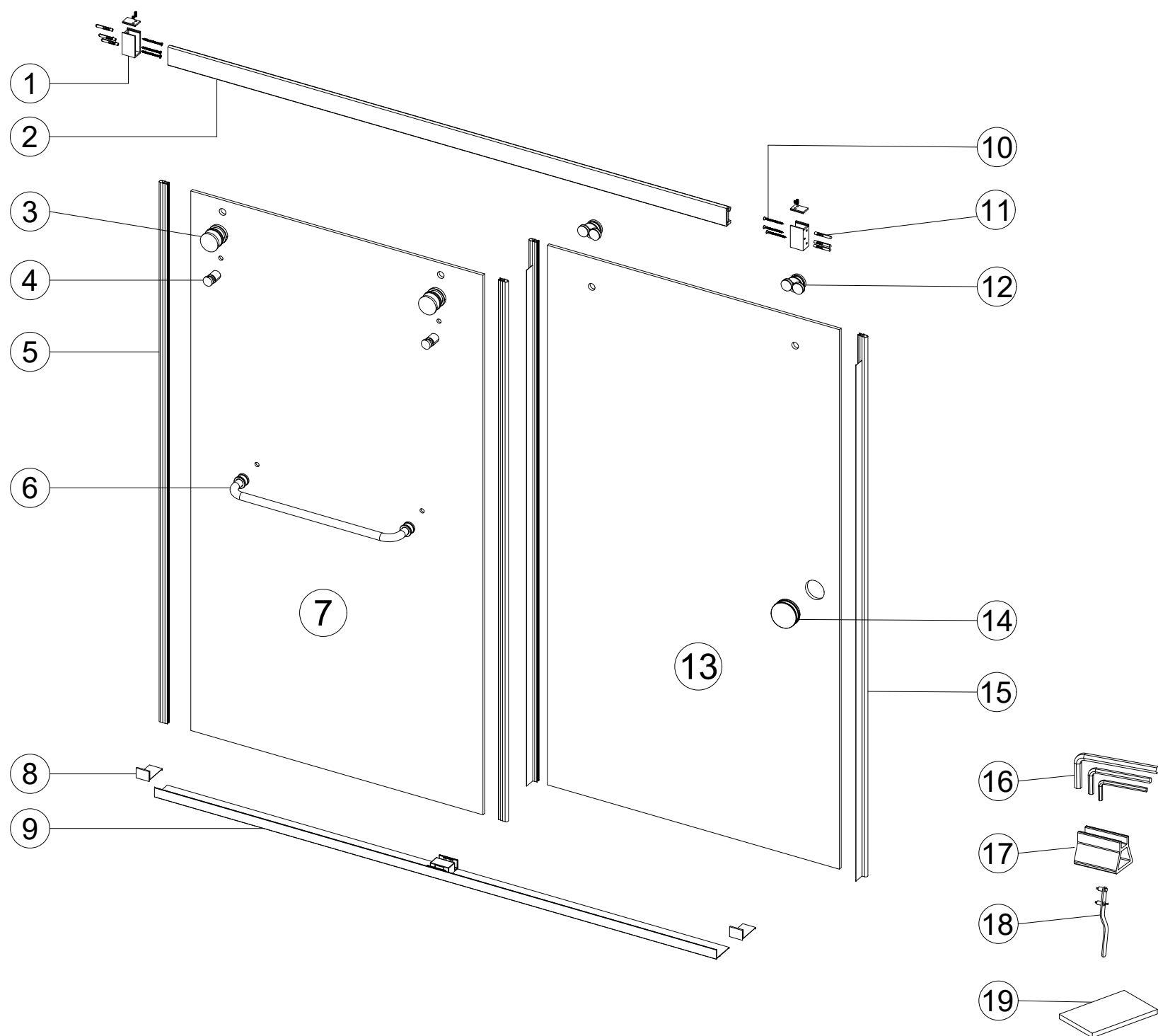
- After use, your shower should be cleaned with soap and water. This is particularly important in hard water districts where insoluble lime salts may be deposited and allowed to build up.
- Cleaners of gritty or abrasive nature should not be used. Care should be taken to avoid contact with strong chemicals such as organic solvents and strippers.
- Glass cleaners can be used but with caution, if in doubt contact the manufacturer of the cleaner in question.
- Please keep these instructions for aftercare and customer service details.

TOOLS REQUIRED

DESCRIPTION	PART IMAGE
Pencil	
Tape measure	
Ø8mm Drill bit	
Ø6mm Drill bit	
Electric drill	
Knife	
Cutting machine	
Hand steel saw	

DESCRIPTION	PART IMAGE
Cross head Screwdriver	
Flat-head Screwdriver	
Hammer	
Level	
Silicone Sealant	
Cutting pliers	
Glass suction cup	

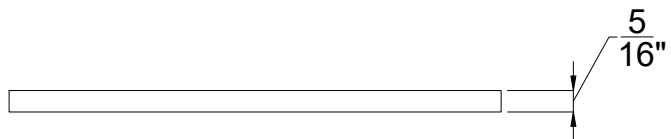
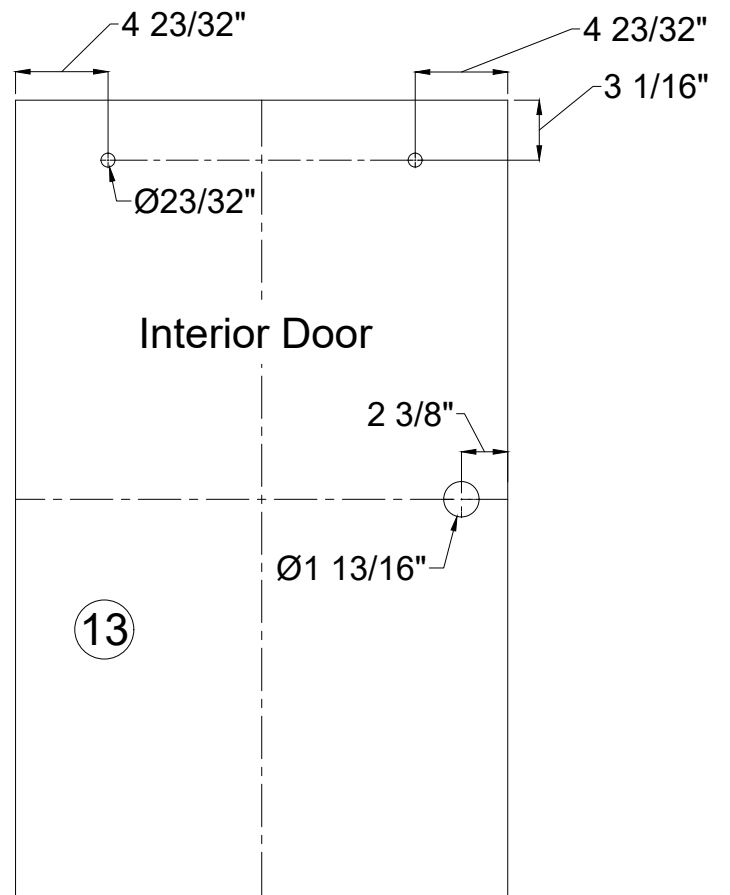
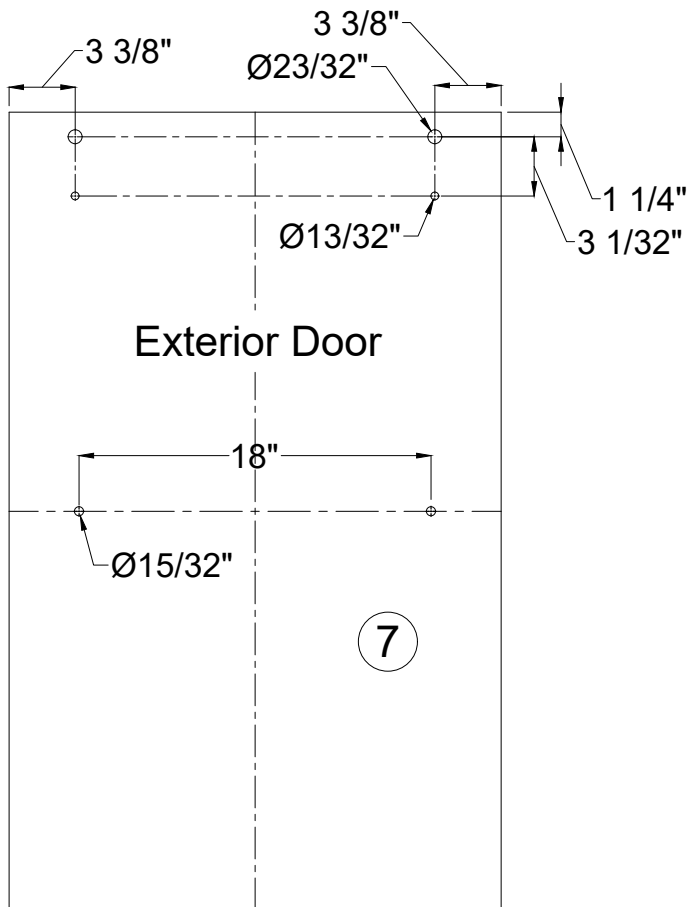
ASSEMBLY INSTRUCTIONS-DRAWING



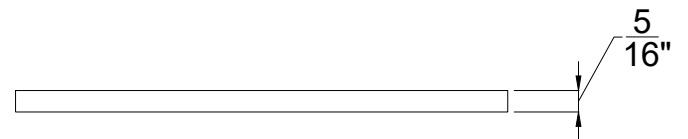
NO.	Description	QTY	Diagram
①	Door rail wall connector	1	
②	Top Rail	1	
③	Exterior glass roller	2	
④	Protection holder	2	
⑤	Glass seal	2	
⑥	Towel bar	1	
⑦	Exterior glass	1	
⑧	Bottom rail cover	2	
⑨	Bottom rail	1	
⑩	ST5x50 Metric screw	6	

NO.	Description	QTY	Diagram
⑪	Ø8x38 Screw tube	6	
⑫	Interior glass roller	2	
⑬	Interior glass	1	
⑭	Recess handle	1	
⑮	Middle glass seal	2	
⑯	Tool Wrench 4mm/2.5mm/2mm	3	
⑰	Installation support	2	
⑱	Adjusted wrench	1	
⑲	Gasket	4	

Glass Fabrication Details



Towel bar glass

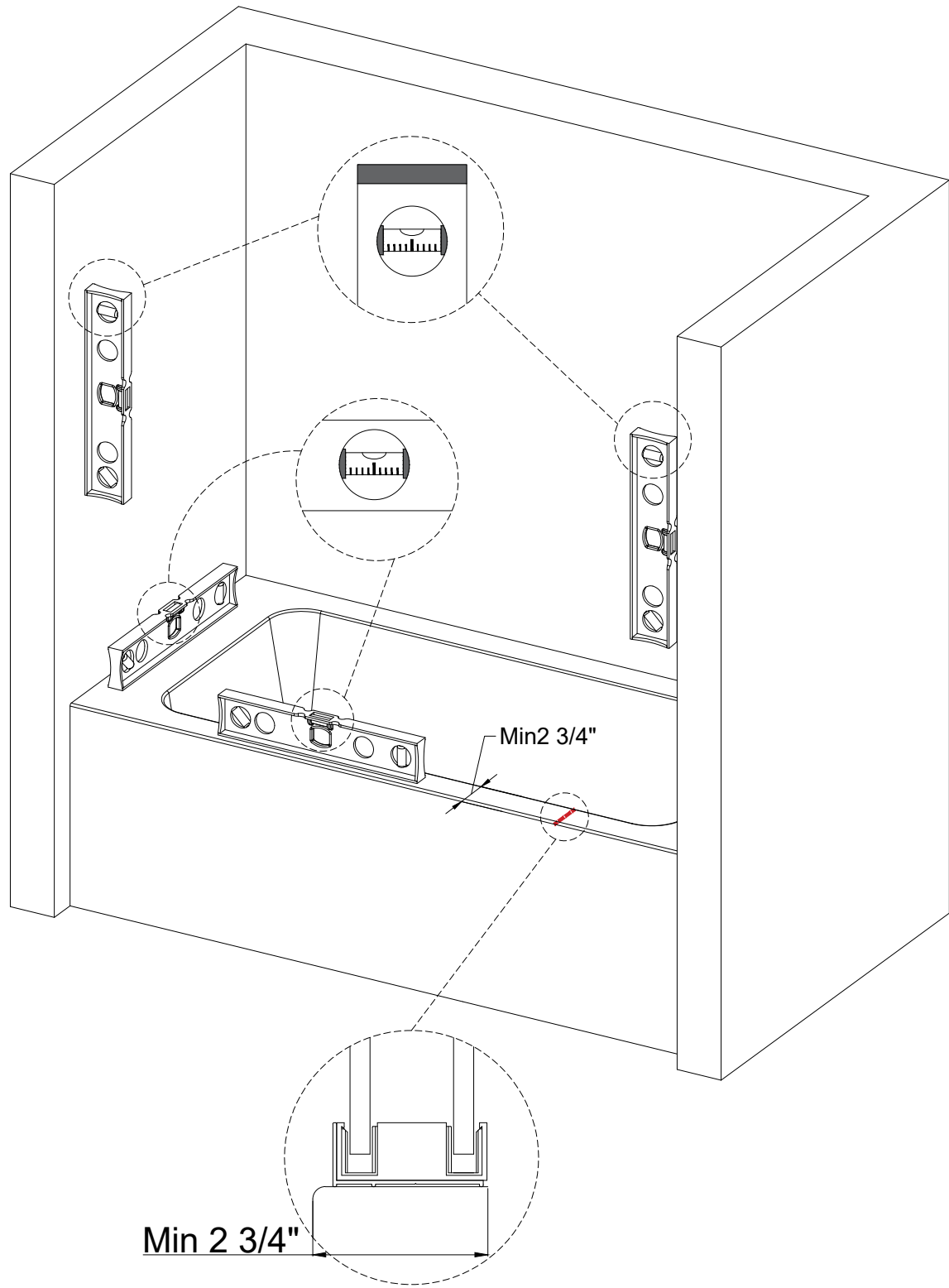


Recess handle glass

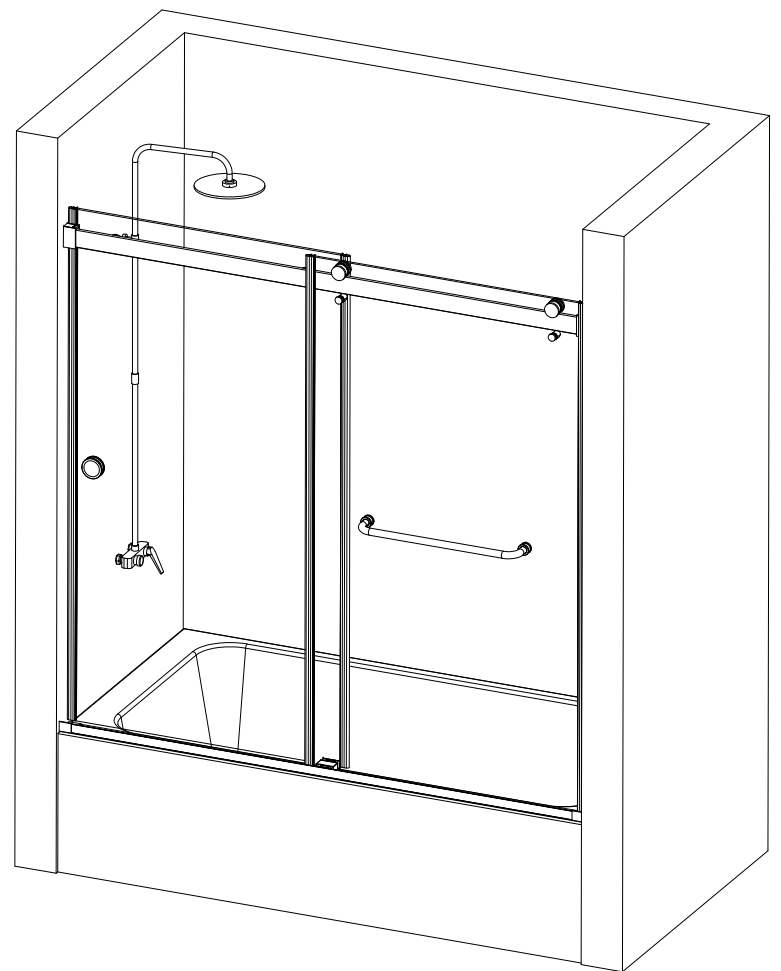
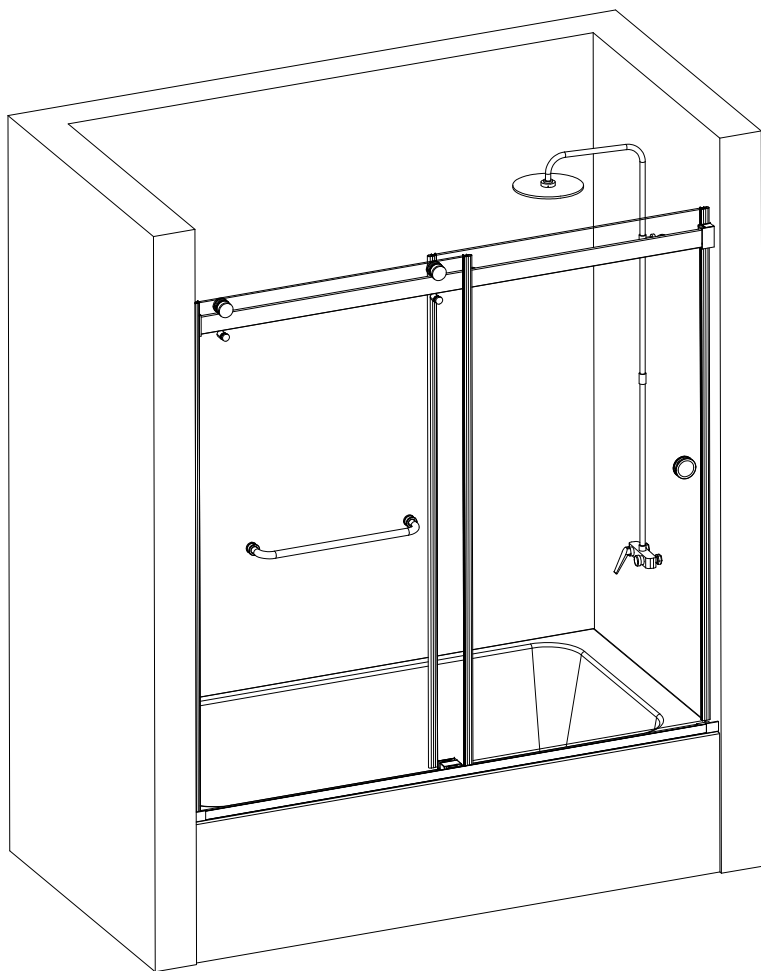
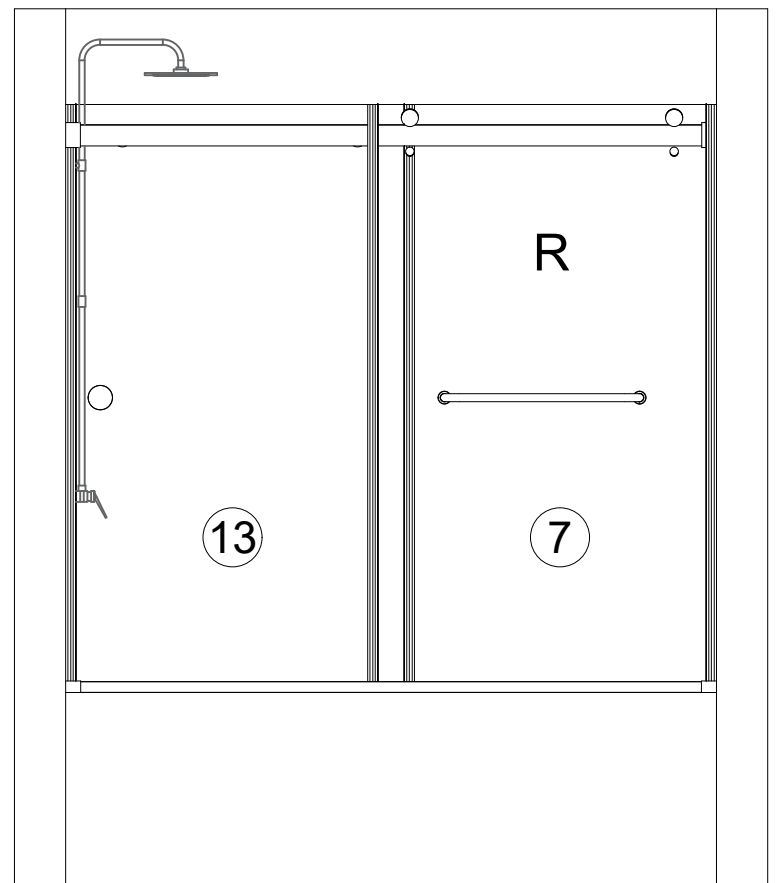
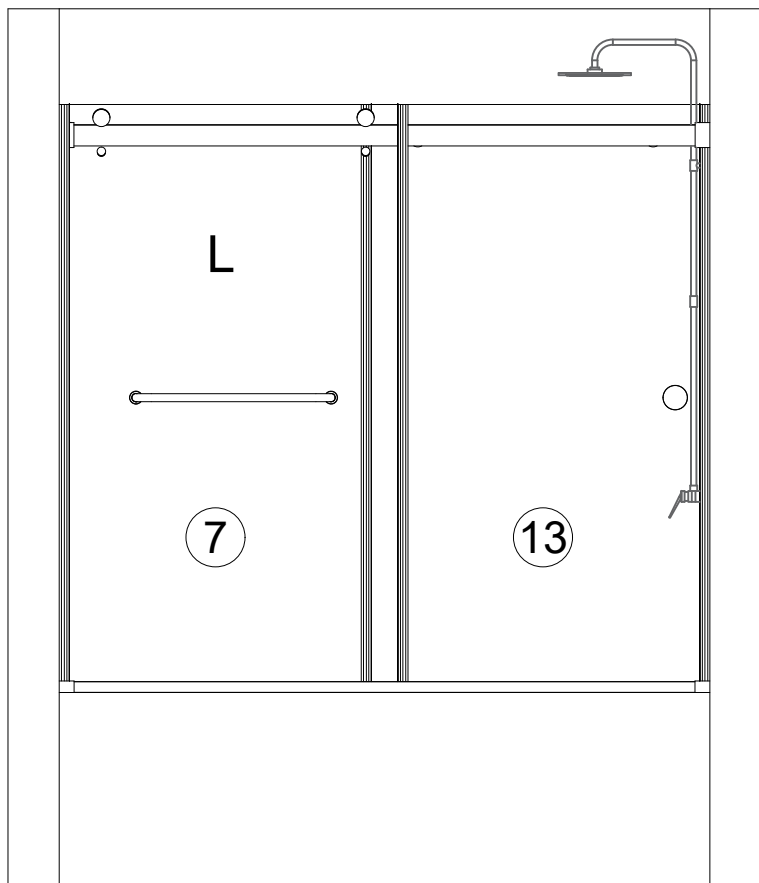
Step 2

Determine if your tub /shower enclosure ledge is leveled and walls are plumb as shown in sketch.

Verify threshold and walls with a level



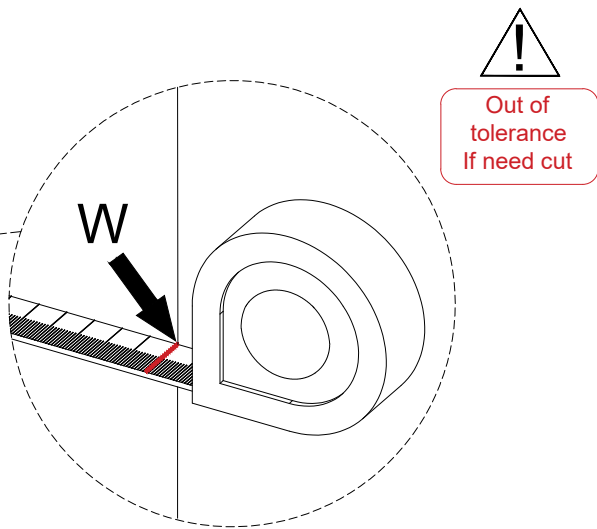
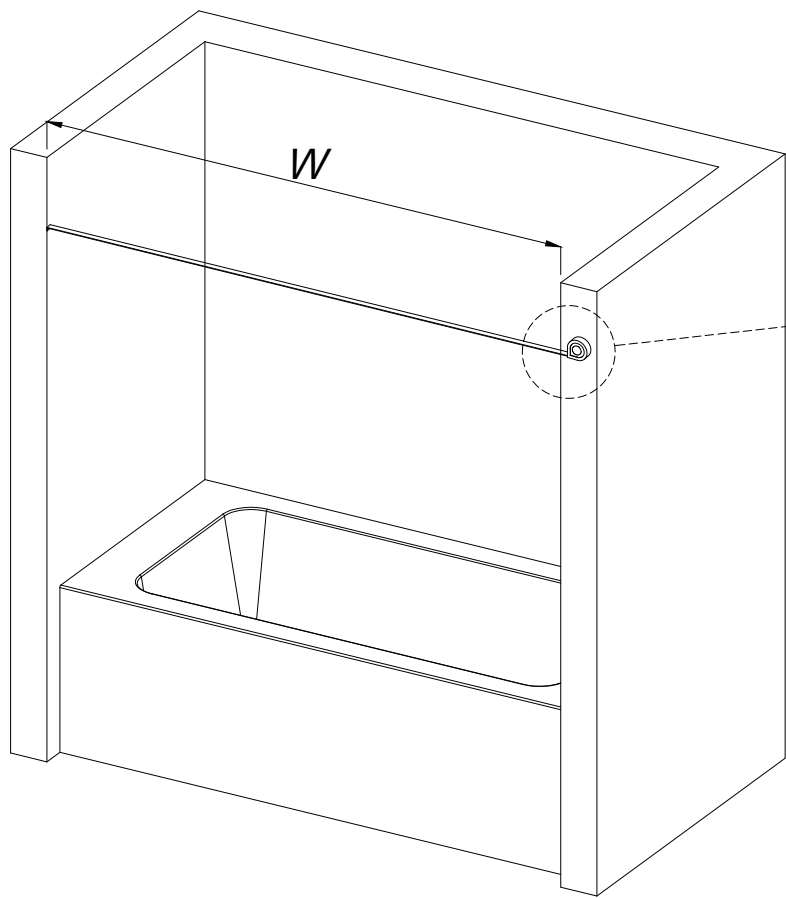
Step 3 LEFT & RIGHT DEFINATION



LEFT FOR SHOWER HEAD RIGHT

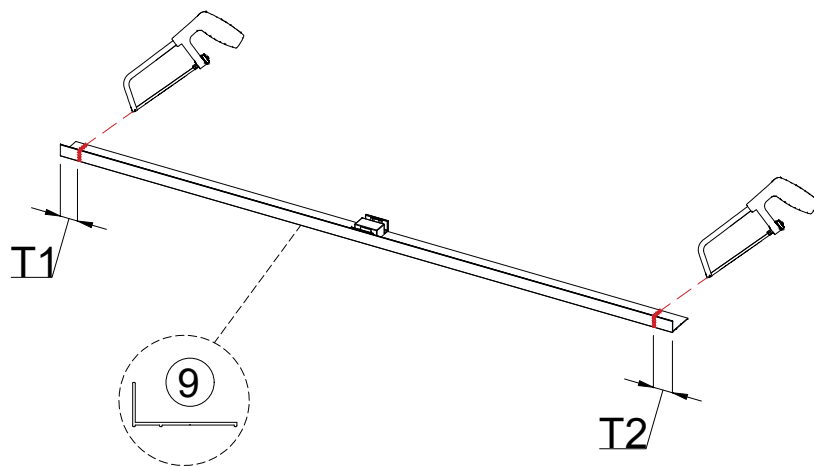
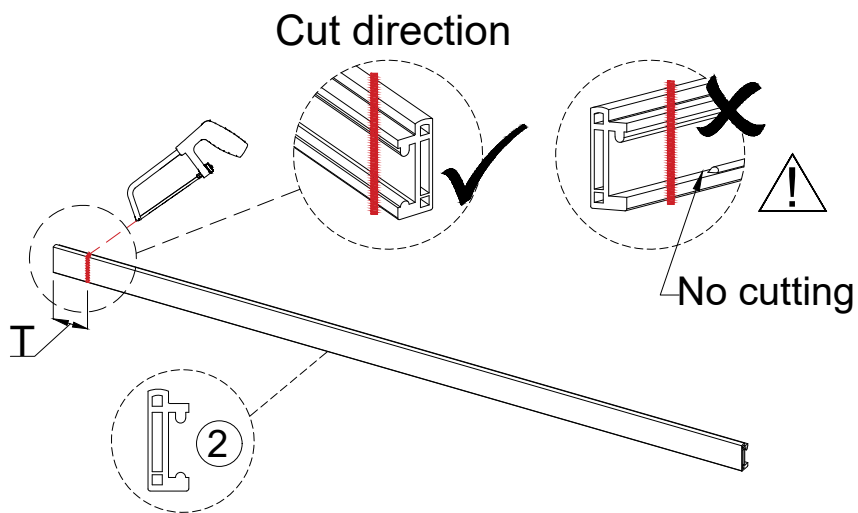
RIGHT FOR SHOWER HEAD LEFT

Step 4 **INSTALLATION SIZE AND CUTTING FORMULA**



Top rail # ② cutting formula
 Top rail # ② $T=60''-W$

Bottom rail # ⑨ cutting formula
 # ⑨ $T1=(60-W)/2$ $T2=(60-W)/2$ $T1=T2$



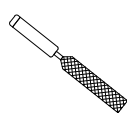
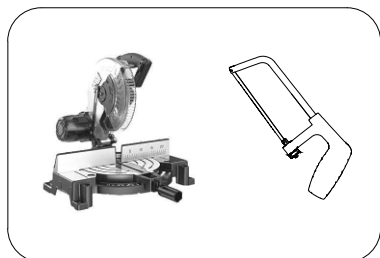
Fox example
 $W=58''$, $T=60''-58''=2''$

! Max.
 $T < 5''$

Fox example
 $W=58''$
 $T1=(60''-58'')/2=1''$
 $T2=(60''-58'')/2=1''$

*** $T1=T2$
 Max.
 ! $T1 < 2.5''$
 $T2 < 2.5''$

Tools Needed

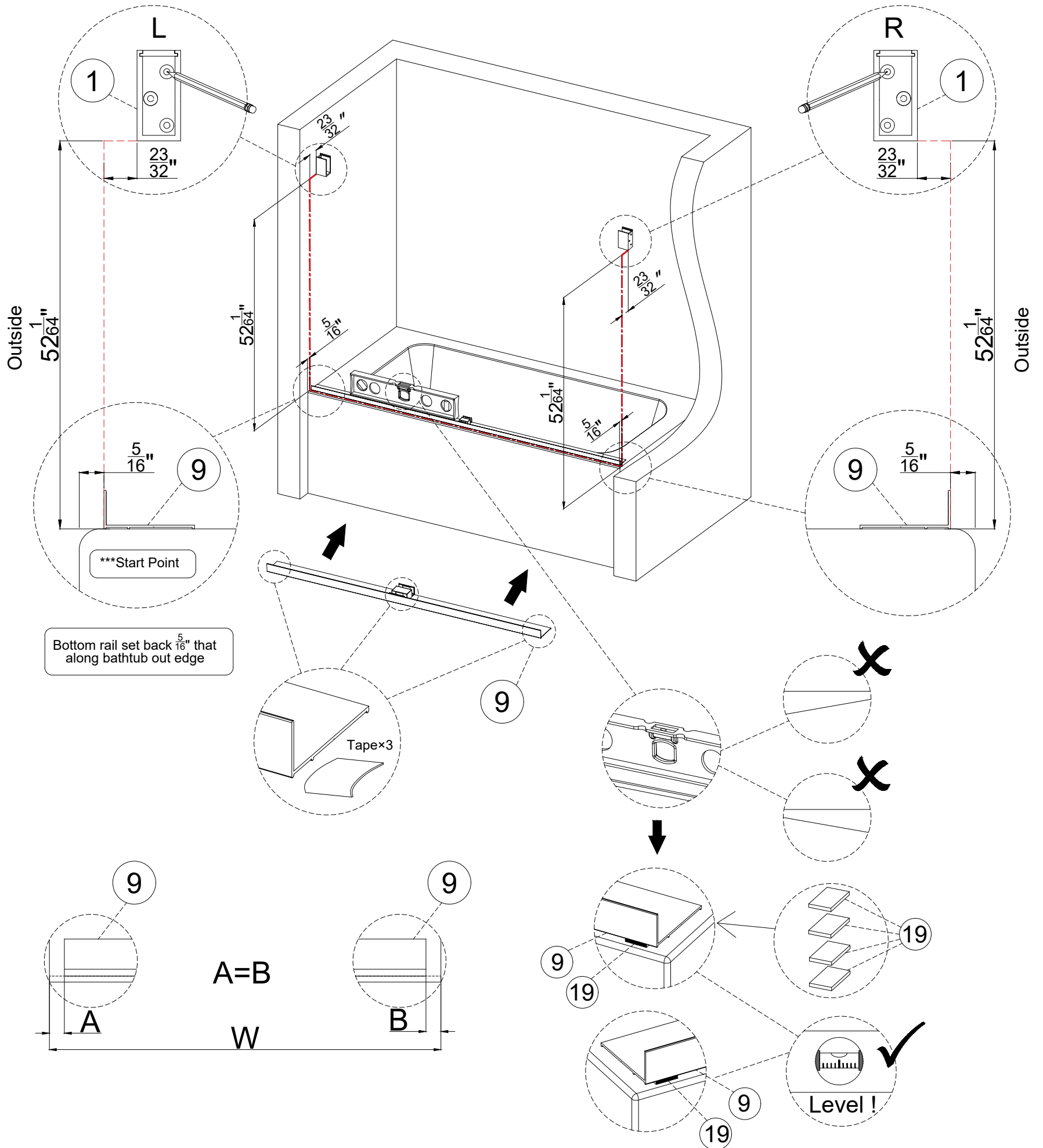


Use a metal file
 to deburr the
 cut end D

Step 5

Install rail connector ⑨+①

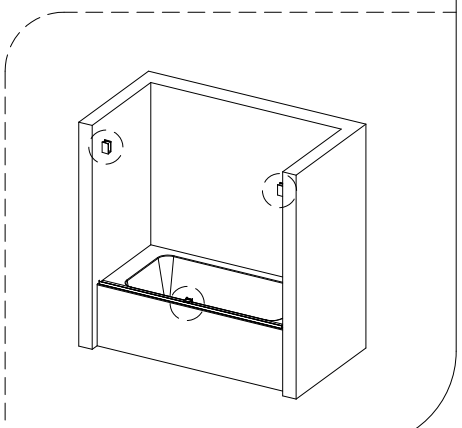
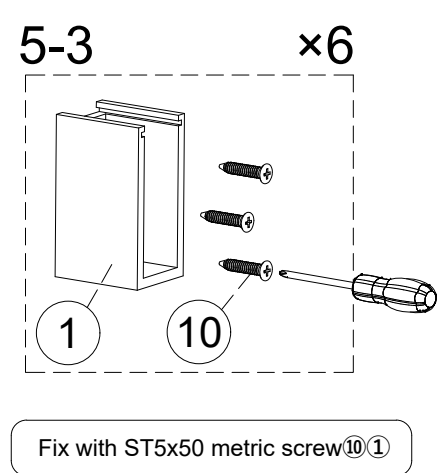
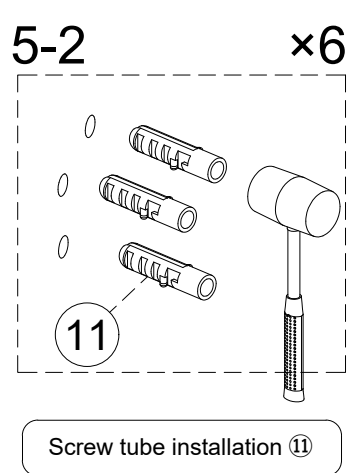
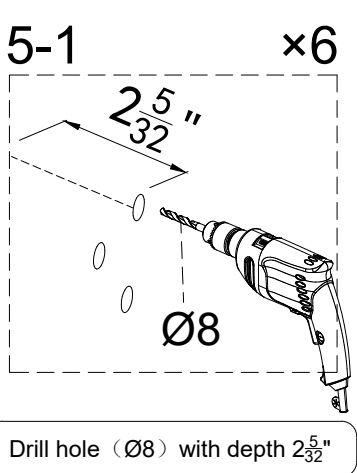
**Rail Connector Position



Bottom rail set back $\frac{5}{16}$ " that along bathtub out edge

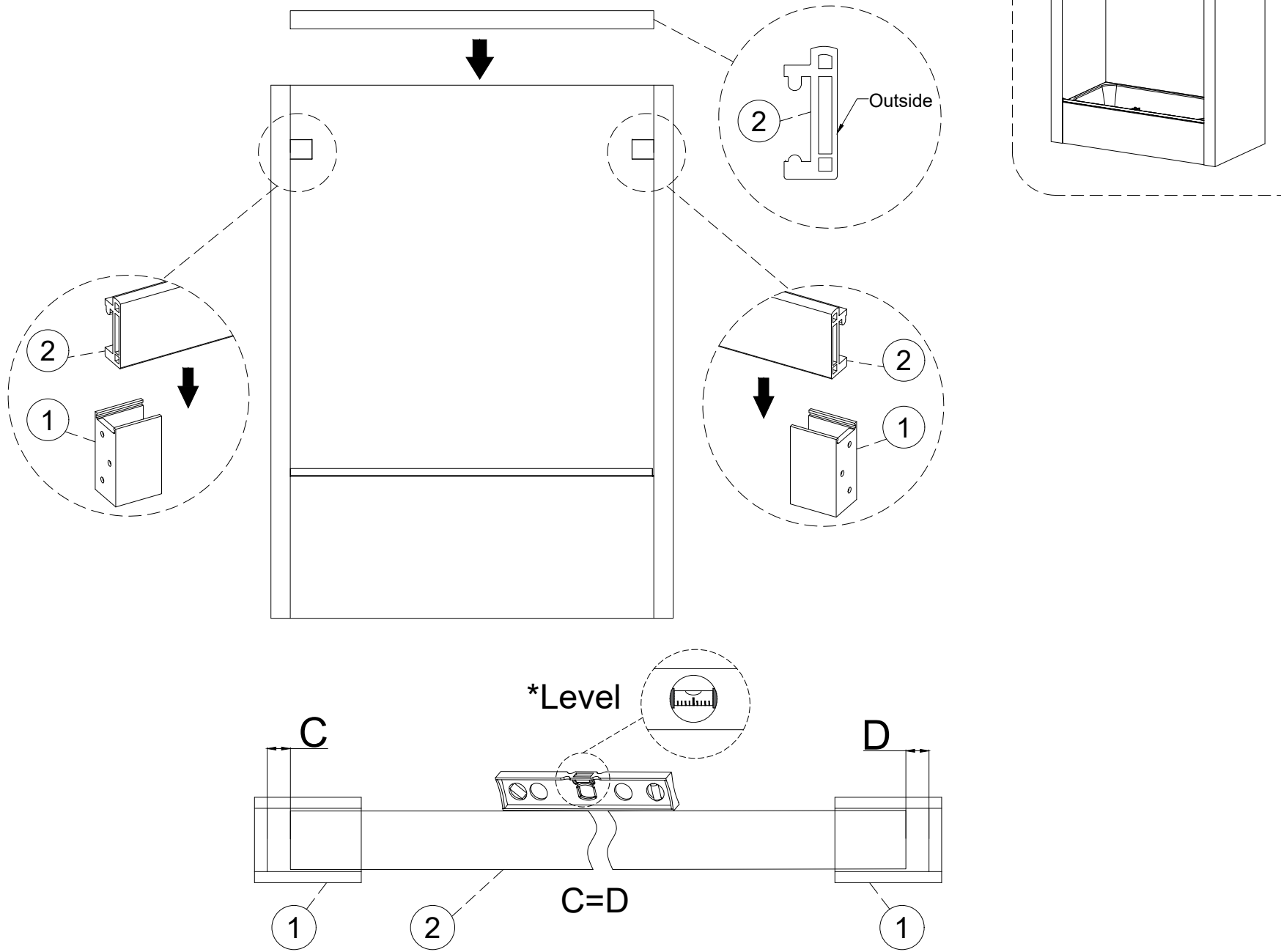
Tape x 3

Level!



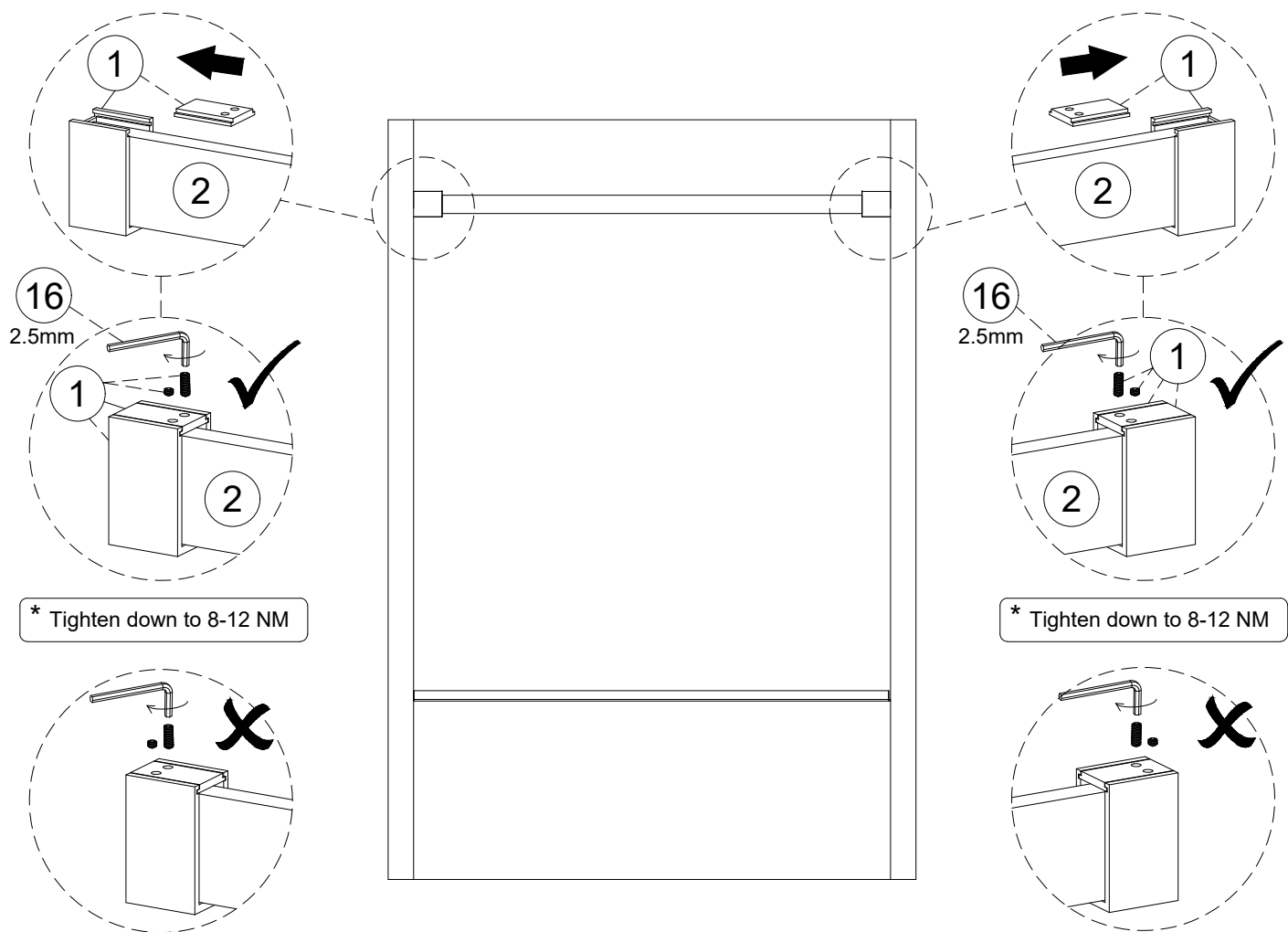
Step 6

Top rail installation #2



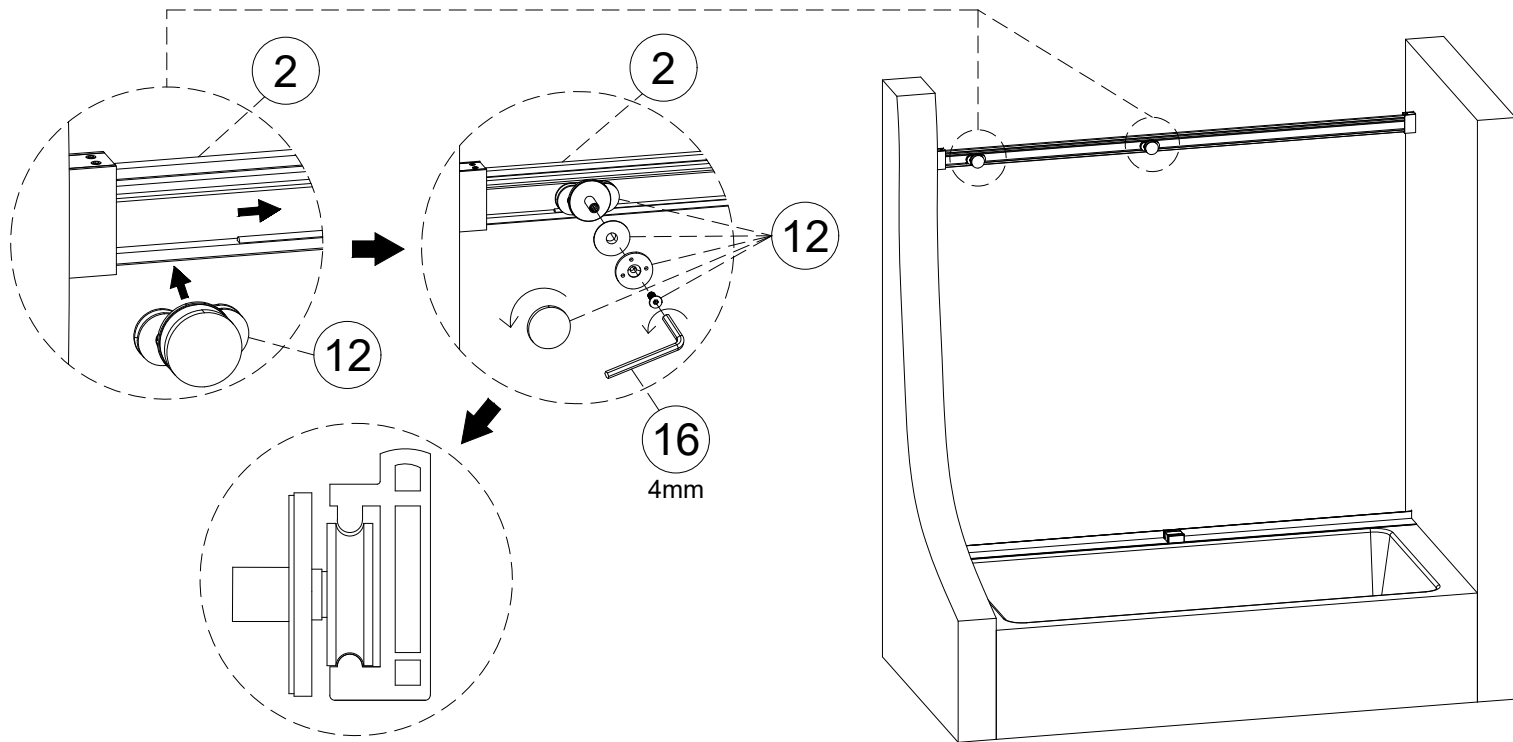
Step 7

Fix top rail 1



Step 8

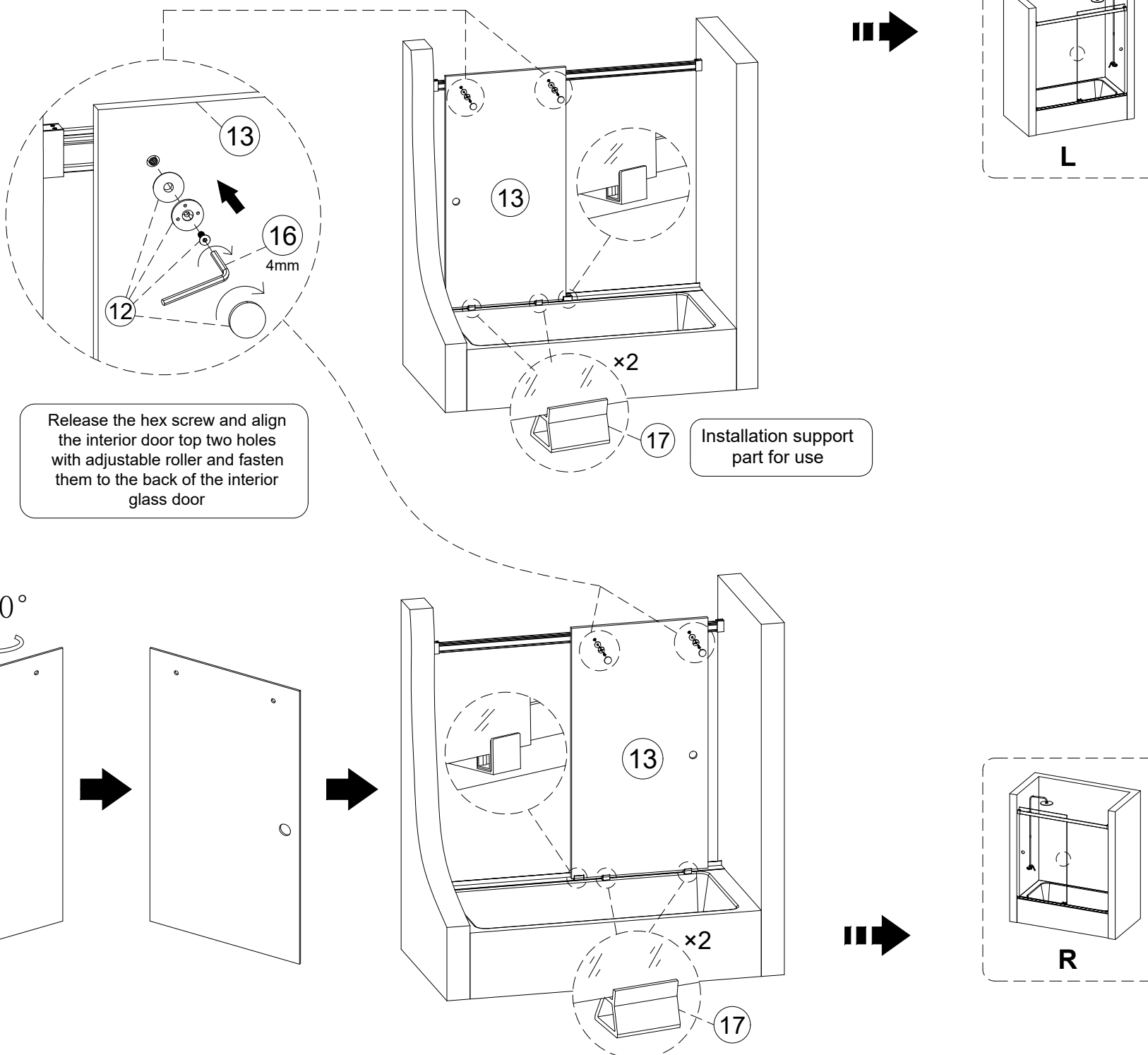
Interior glass roller #12



Interior adjustable roller from slot to top rail and remove the back cover and release the hex screw and remove the part which adjust the height of glass

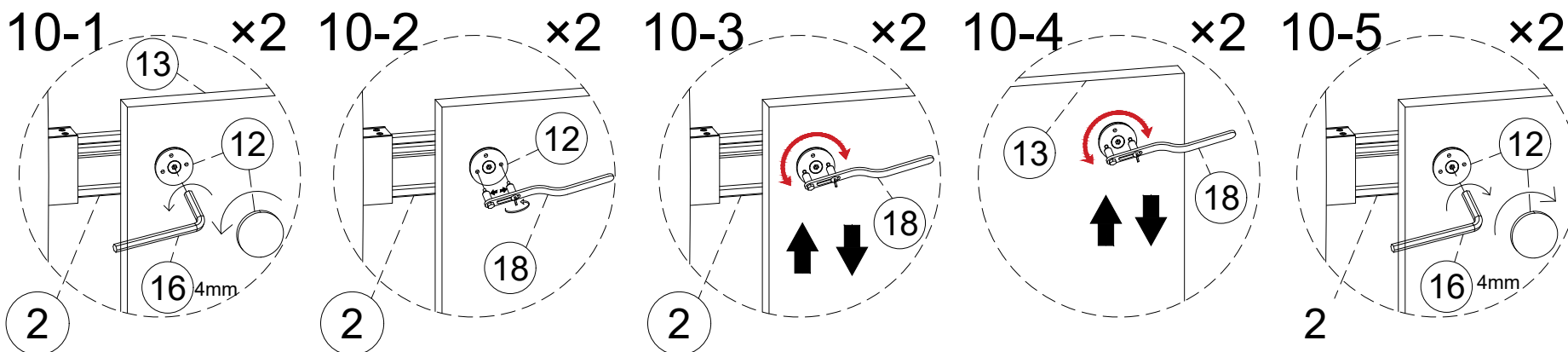
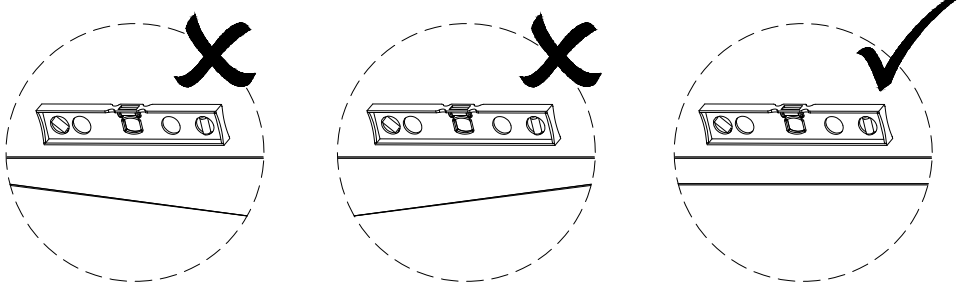
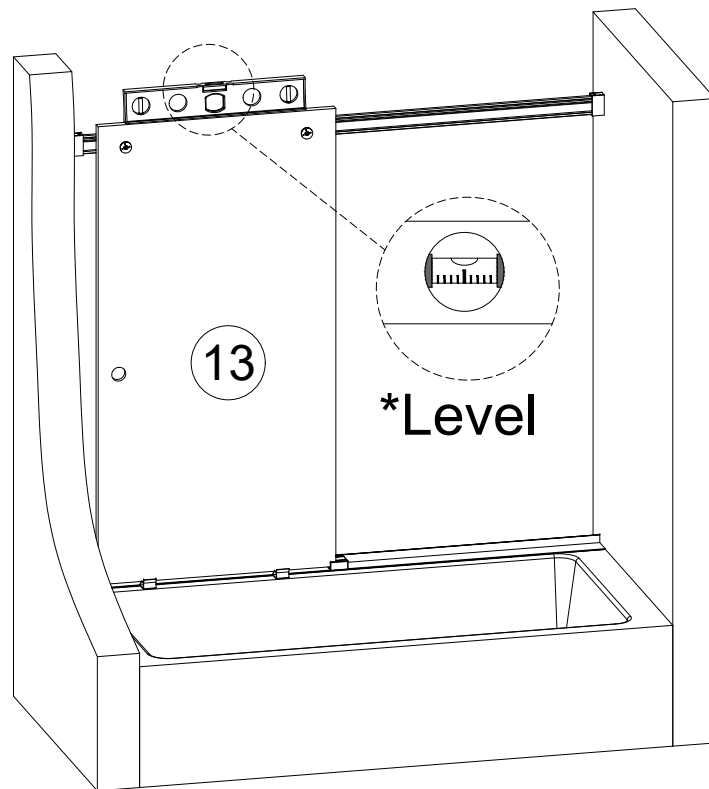
Step 9

Interior glass installation# 13



Step 10

Adjust roller for interior glass level ⑬

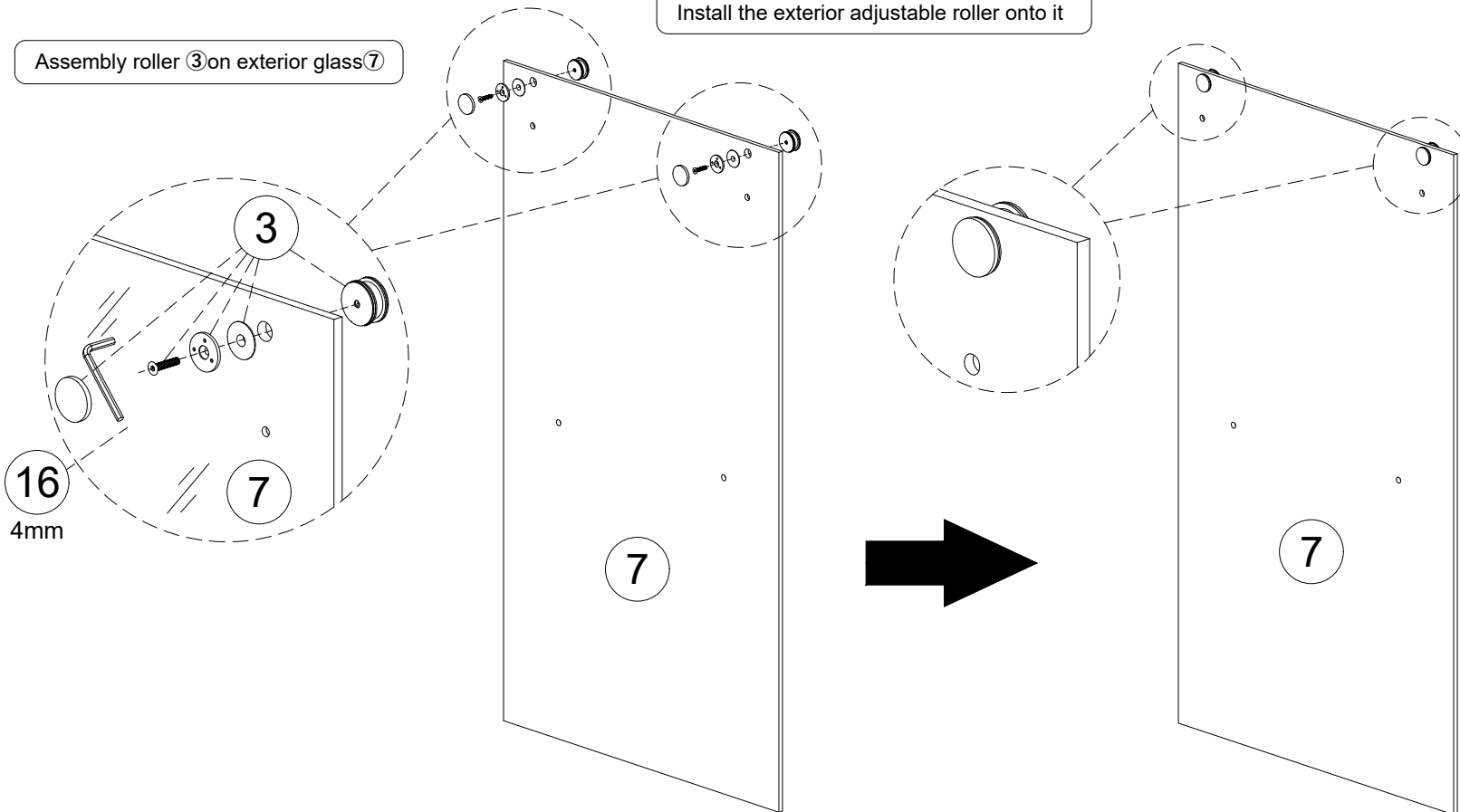


Step 11

Install exterior glass ③+⑦

Place the exterior door on the flat surface.
Install the exterior adjustable roller onto it

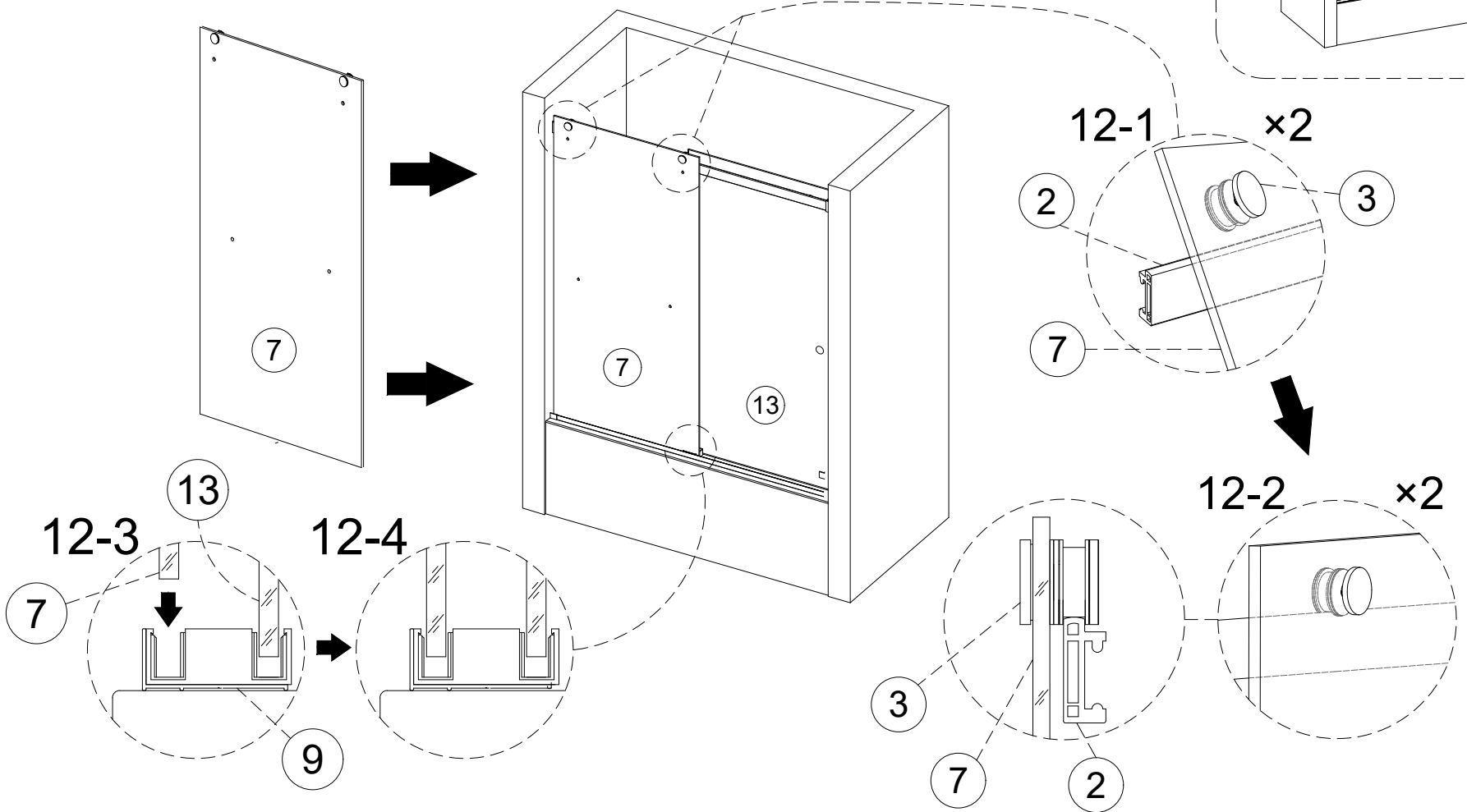
Assembly roller ③ on exterior glass ⑦



Step 12

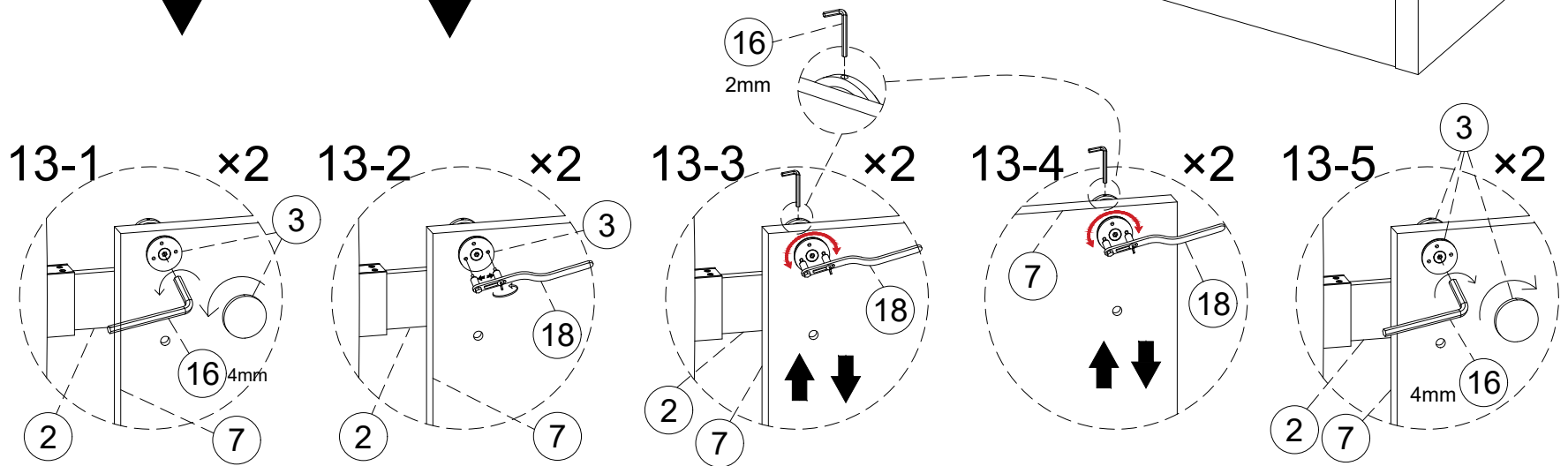
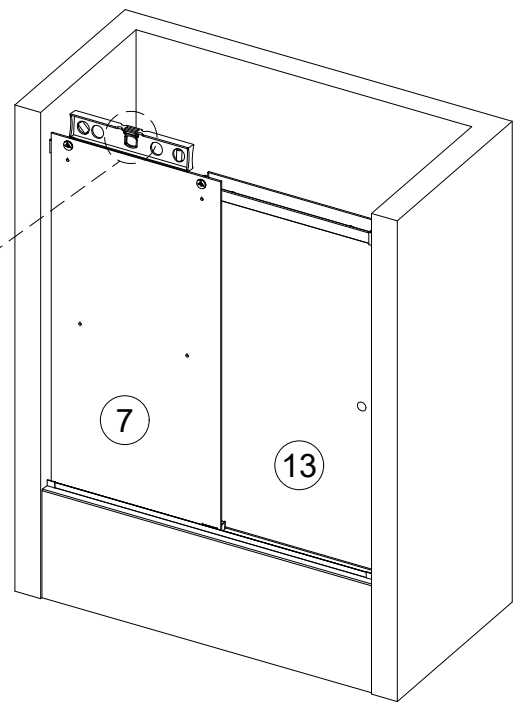
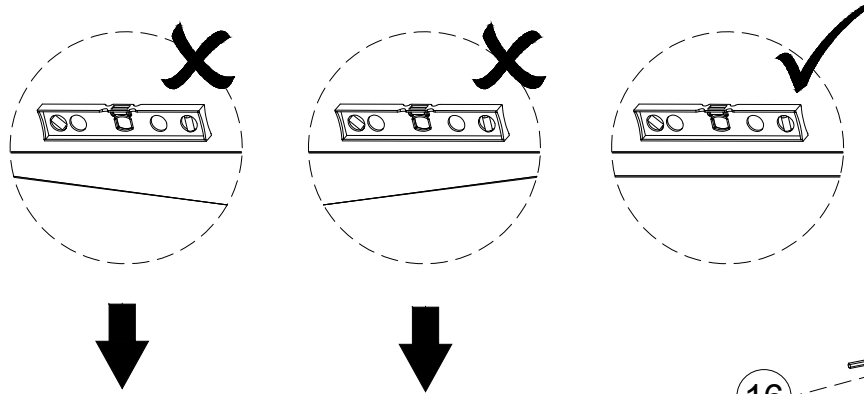
Install exterior glass with roller on top rail ③+⑦ on ②⑨

Install the exterior door on the top rail and also into bottom block slot as 10-1 to 10-4 instruction



Step 13

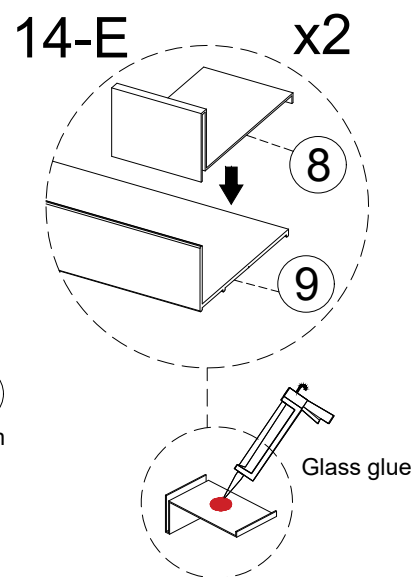
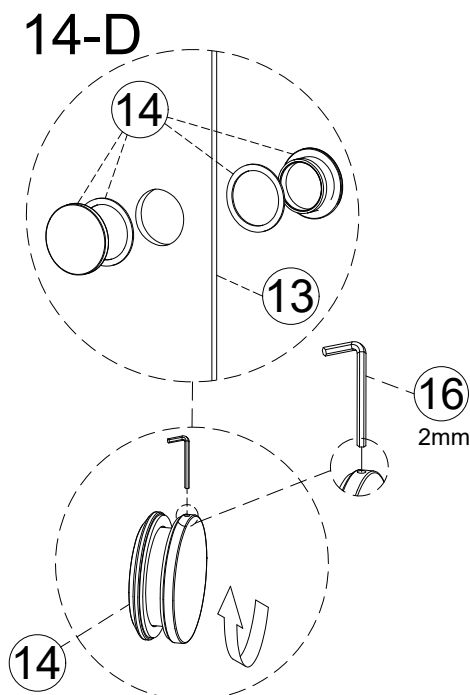
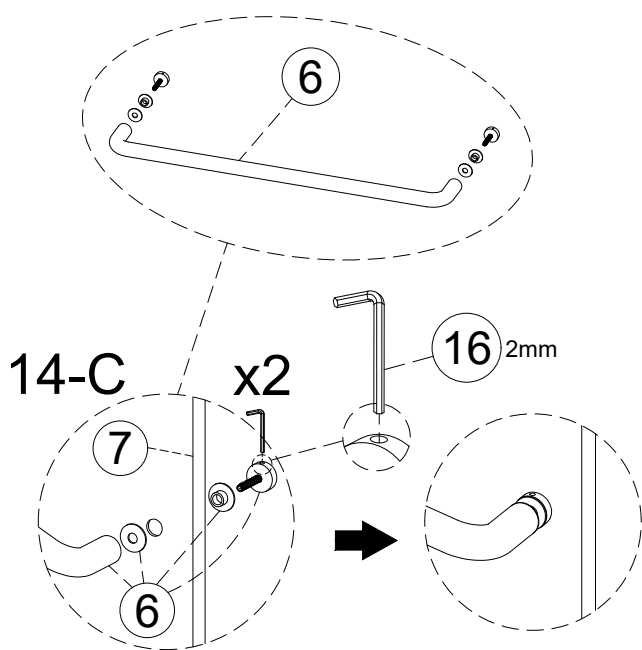
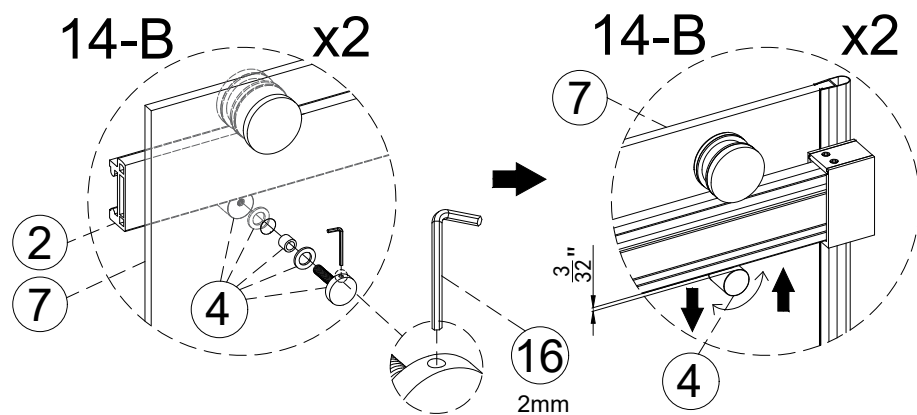
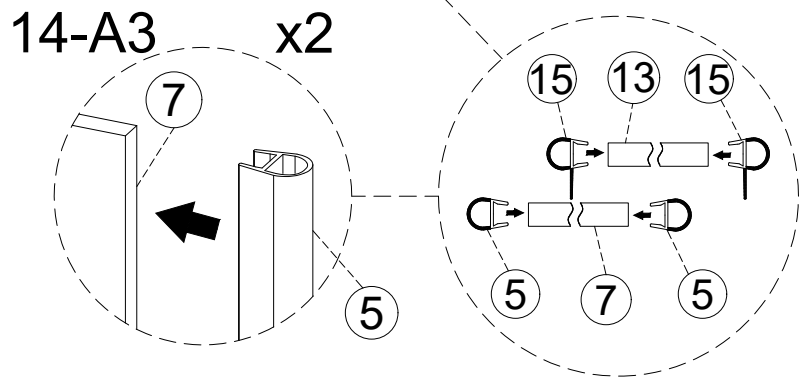
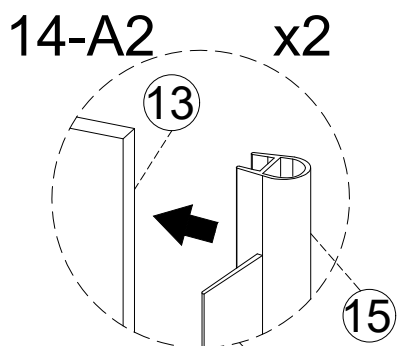
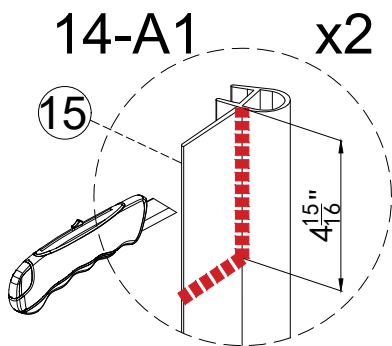
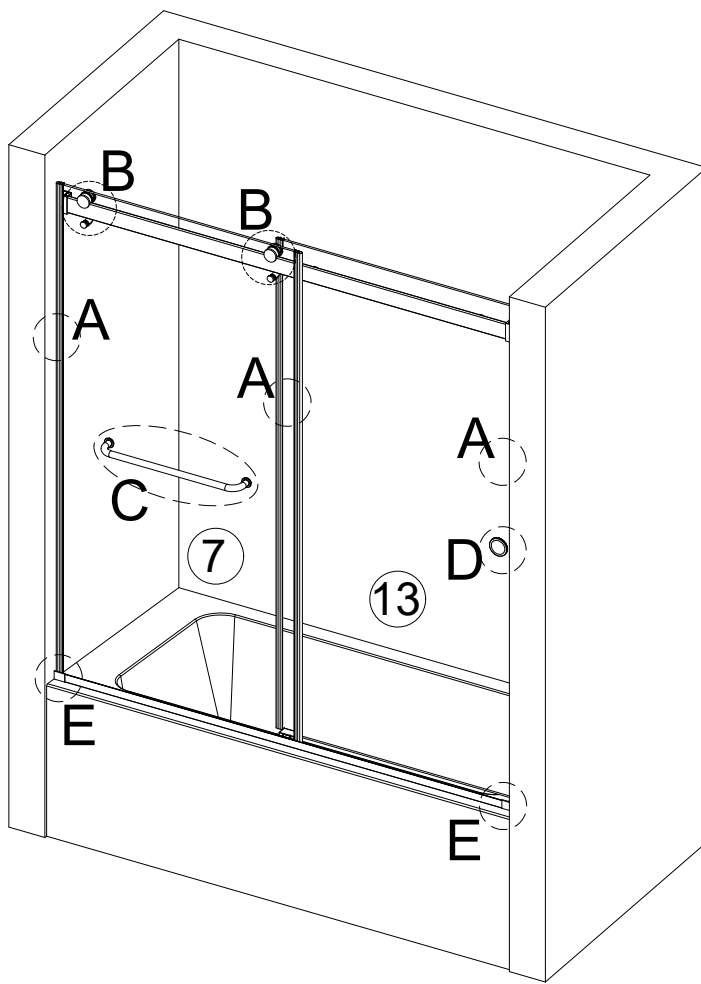
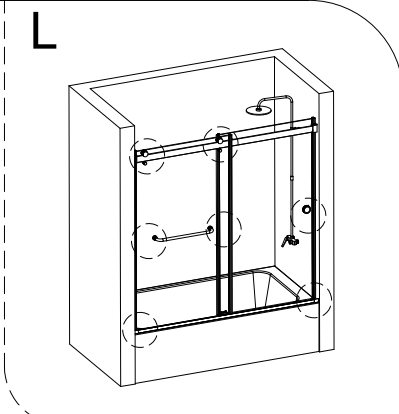
Adjust exterior glass roller for level



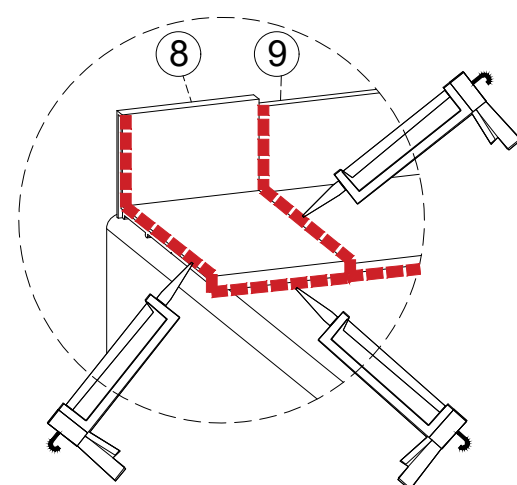
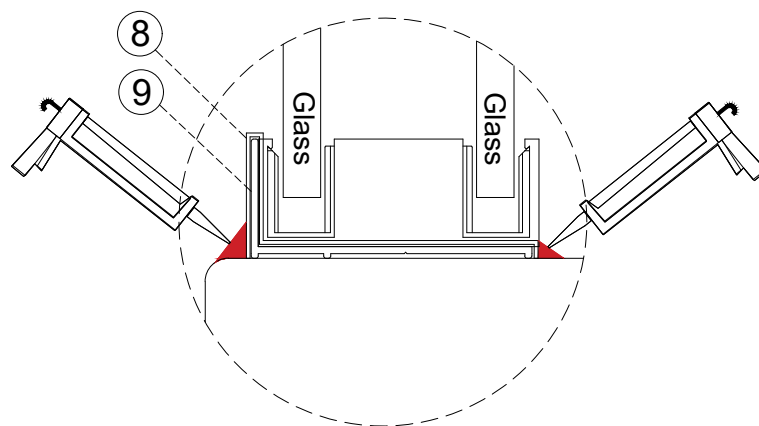
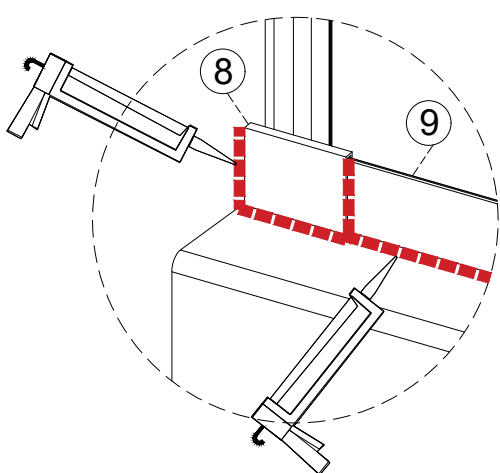
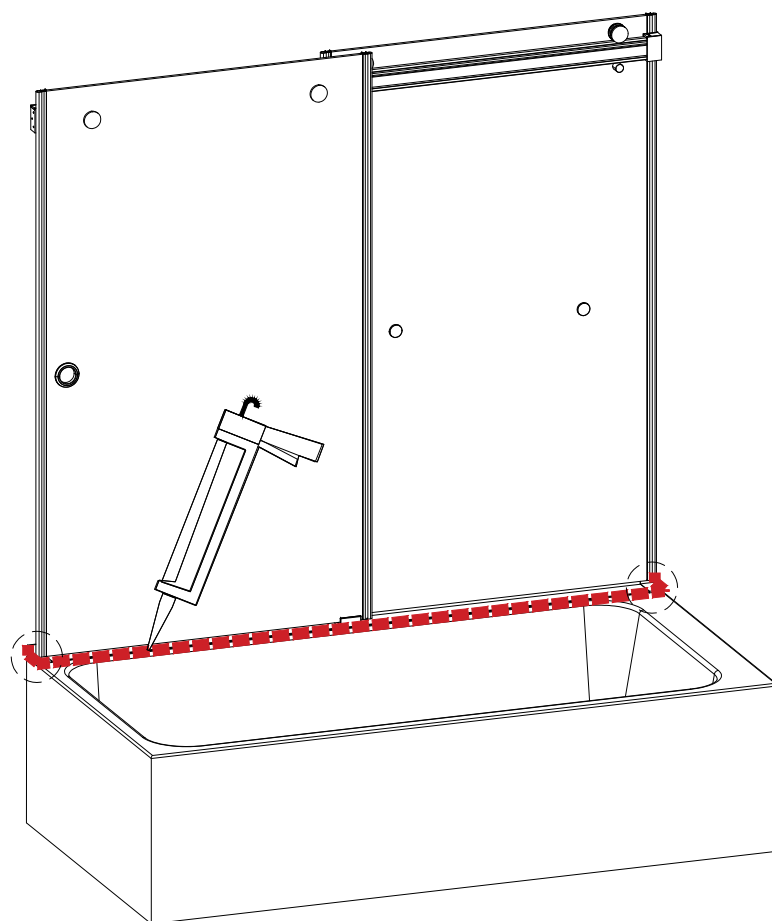
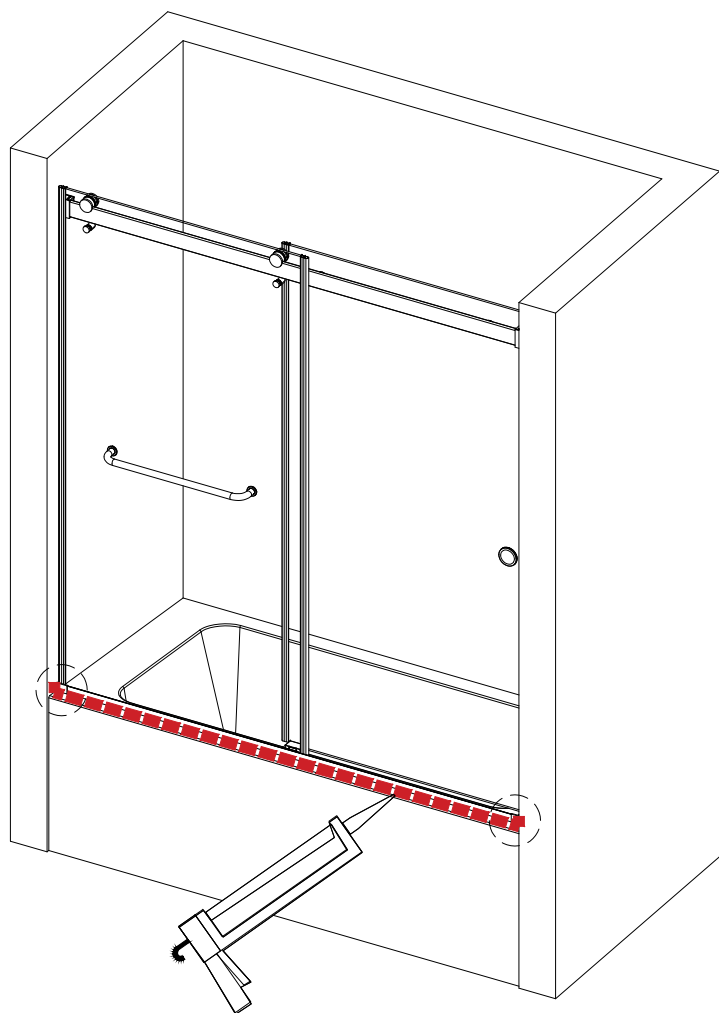
Adjust the adjustable exterior roller for glass door level

Step 14

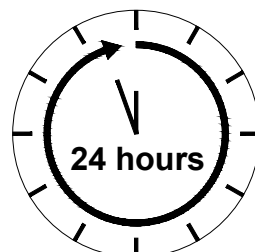
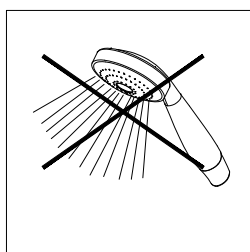
Install ⑤+⑥+⑭+④+⑧



Step 15 Glass silicon for seal



After installation, it is necessary to apply glass glue for sealing and waterproofing at the connections between the product and the wall, floor, as well as at the joints between aluminum materials and aluminum materials, glass and aluminum materials (make sure the surface is dry before applying glass glue). Wait for 24 hours for the glass glue to dry before using this product.



Glass glue

