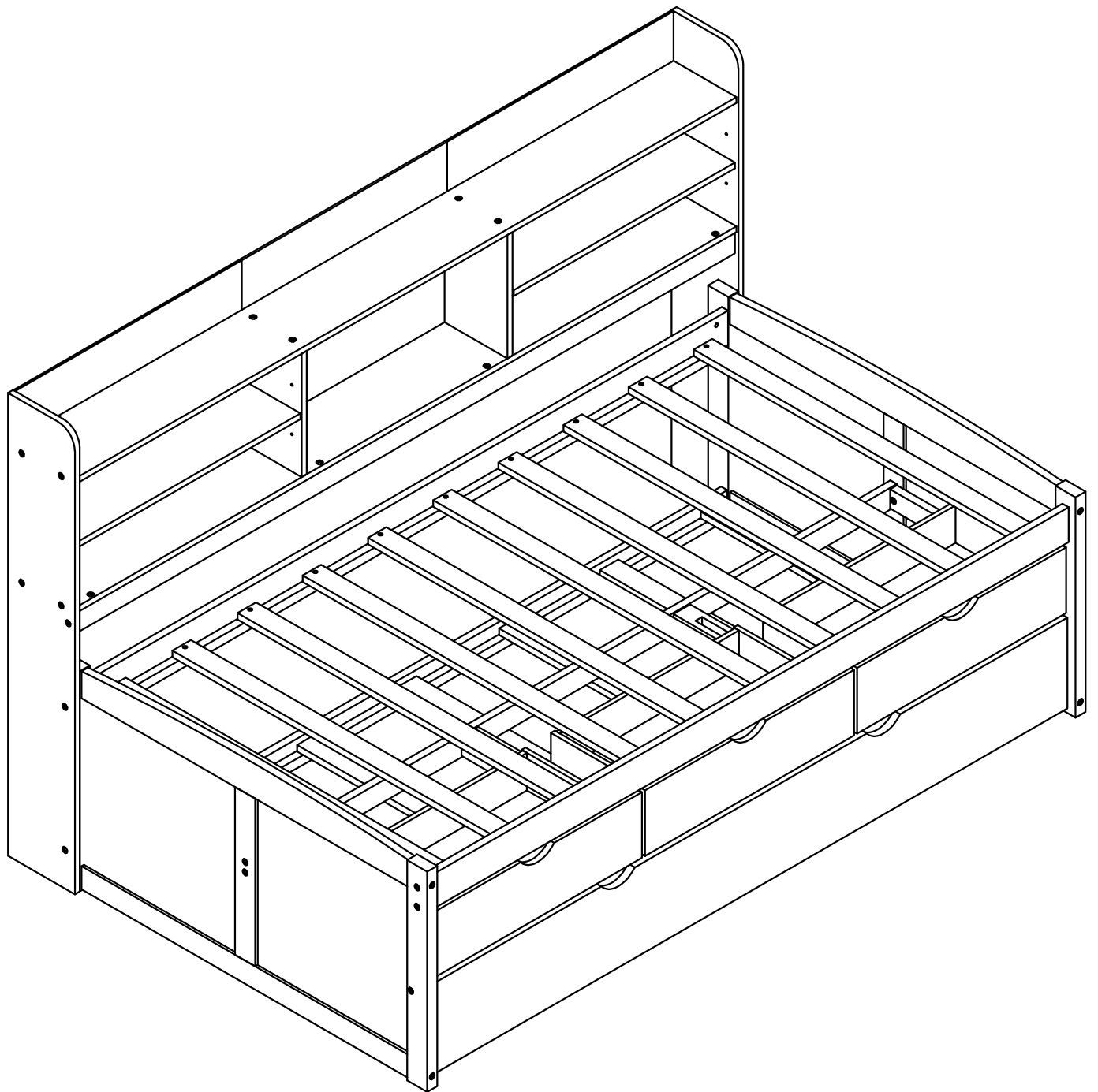


ASSEMBLY INSTRUCTION



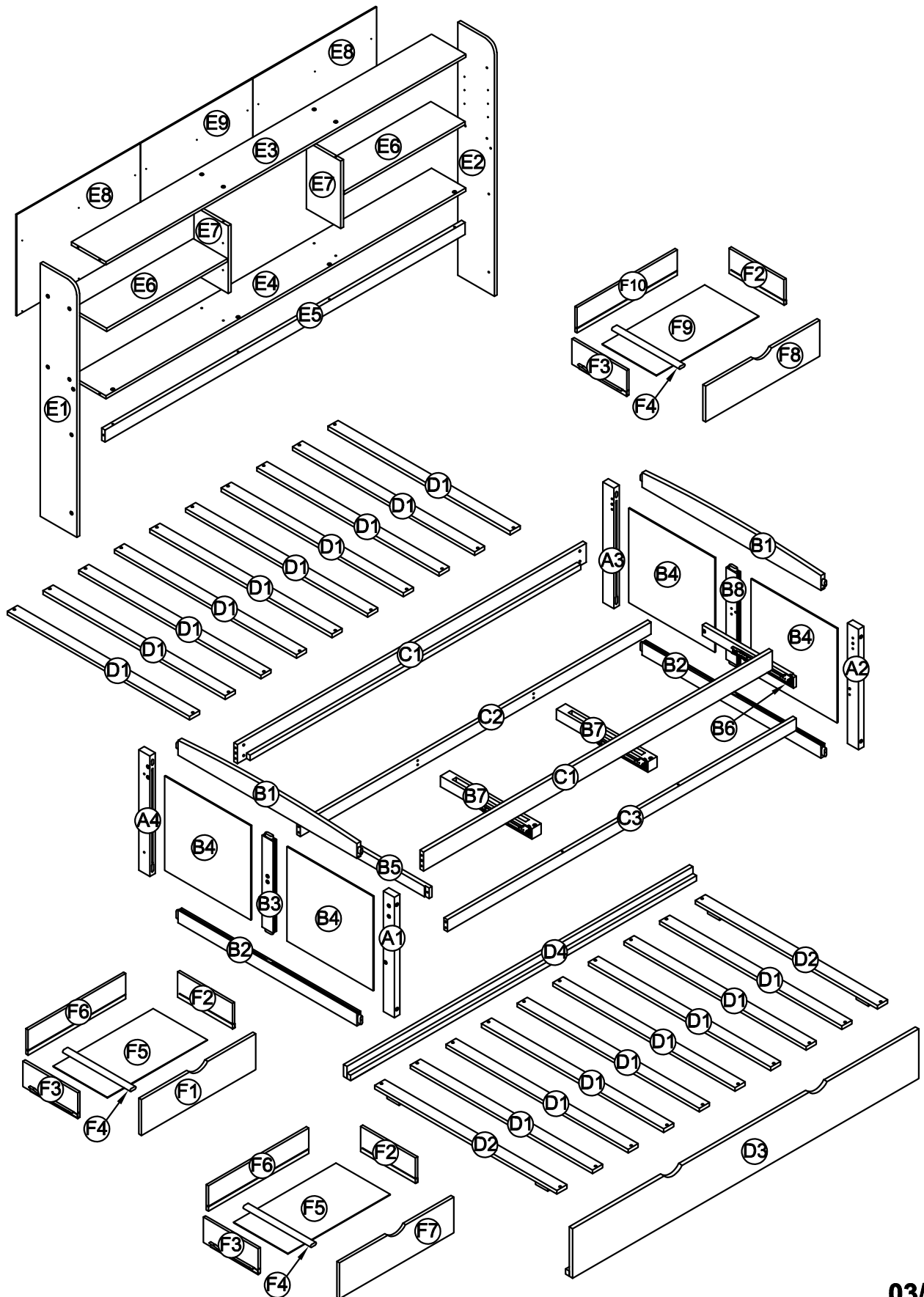
SAFETY WARNINGS AND GENERAL NOTES:

- 1. Do not use substitute parts. Contact the manufacturer or dealer for replacement parts.**
- 2. Keep these instructions for future reference.**
- 3. We recommend assembling your bed on the shipping carton to protect your floor or carpet.**
- 4. Be certain all staples are out of the box before beginning assembly on the shipping carton.**




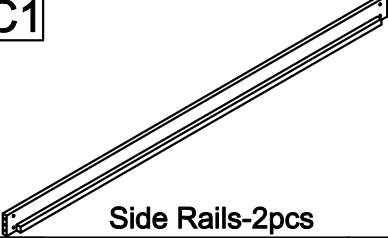
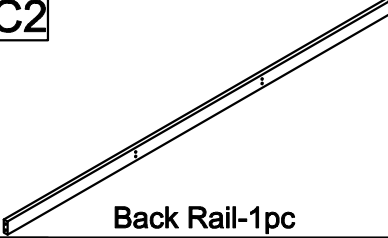
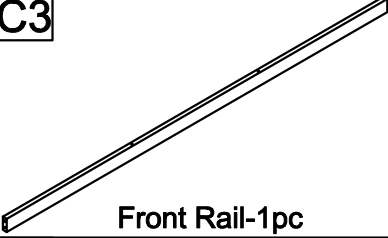
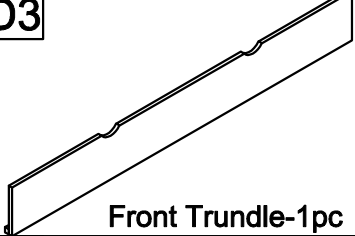
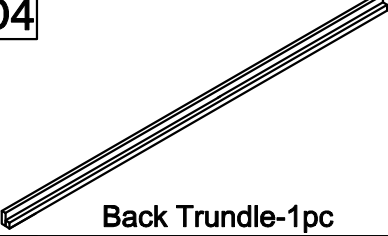
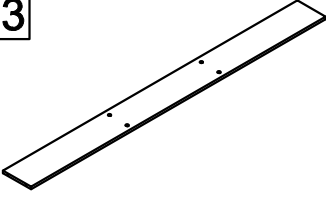
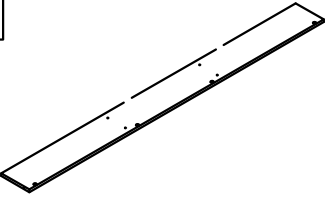
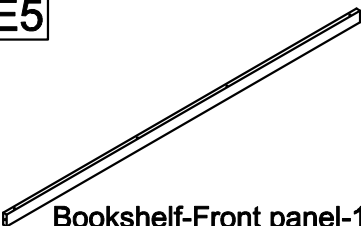
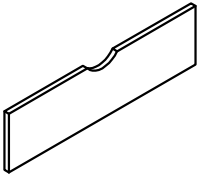
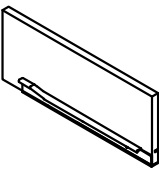
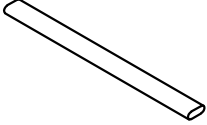
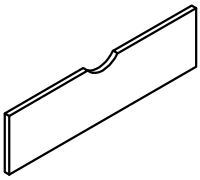
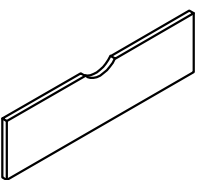
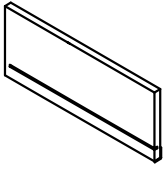
5.Replacement Parts:

Replacement Parts, including additional guardrails, may be obtained from any of our dealers






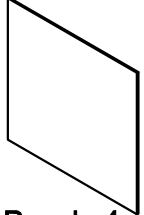
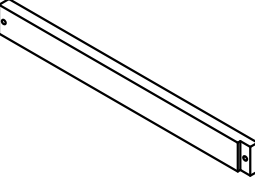
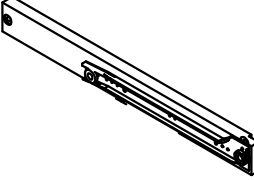
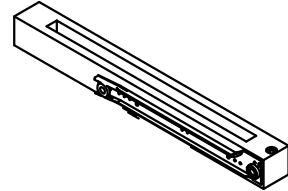

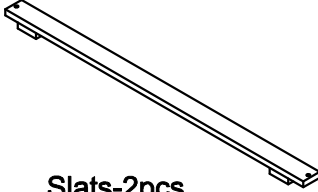
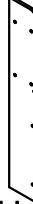
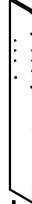
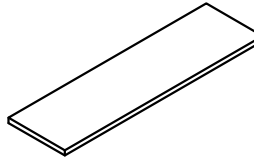
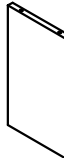
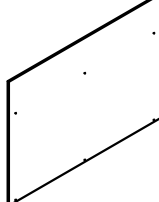
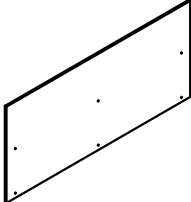
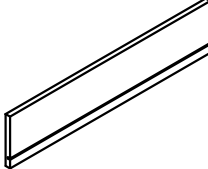
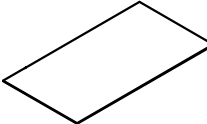
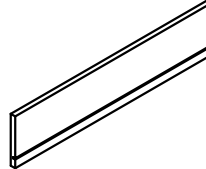
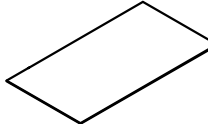
ASSEMBLY INSTRUCTION





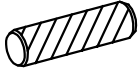
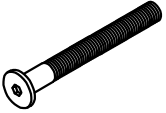


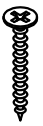
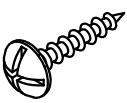

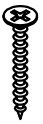
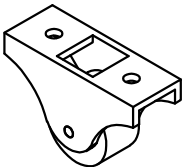


Part List & Hardware List

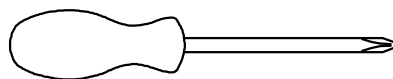
<p>B1</p>  <p>Wood Bars-2pcs</p>	<p>B3</p>  <p>Wood Bar-1pc</p>	<p>B8</p>  <p>Wood Bar-1pc</p>
<p>C1</p>  <p>Side Rails-2pcs</p>	<p>C2</p>  <p>Back Rail-1pc</p>	<p>C3</p>  <p>Front Rail-1pc</p>
<p>D3</p>  <p>Front Trundle-1pc</p>	<p>D4</p>  <p>Back Trundle-1pc</p>	<p>E3</p>  <p>Bookshelf-Top panel-1pc</p>
<p>E4</p>  <p>Bookshelf-Bottom panel-1pc</p>	<p>E5</p>  <p>Bookshelf-Front panel-1pc</p>	<p>F1</p>  <p>Drawer-Front Panel-1pc</p>
<p>F3</p>  <p>Drawer-Side Panels-3pcs</p>	<p>F4</p>  <p>Drawer-Support Bottom-3pcs</p>	<p>F7</p>  <p>Drawer-Front Panel-1pc</p>
<p>F8</p>  <p>Drawer-Front Panel-1pc</p>	<p>F2</p>  <p>Drawer-Side Panels-3pcs</p>	

Part List

<p>A1</p>  <p>Leg(Front-Left)-1pc</p>	<p>A2</p>  <p>Leg(Front-Right)-1pc</p>	<p>A3</p>  <p>Leg(Back-Right)-1pc</p>
<p>A4</p>  <p>Leg(Back-Left)-1pc</p>	<p>B2</p>  <p>Wood Bars-2pcs</p>	<p>B4</p>  <p>Panels-4pcs</p>
<p>B5</p>  <p>Wood Bar-1pc</p>	<p>B6</p>  <p>Wood Bar-1pc</p>	<p>B7</p>  <p>Wood Bars-2pcs</p>
<p>D1</p>  <p>Slats-18pcs</p>	<p>D2</p>  <p>Slats-2pcs</p>	<p>E1</p>  <p>Bookshelf-Side panel-1pc</p>
<p>E2</p>  <p>Bookshelf-Side panel-1pc</p>	<p>E6</p>  <p>Bookshelf-Remove panels-2pcs</p>	<p>E7</p>  <p>Bookshelf-Center panels-2pcs</p>
<p>E8</p>  <p>Bookshelf-Back panels-2pcs</p>	<p>E9</p>  <p>Bookshelf-Back panel-1pc</p>	<p>F10</p>  <p>Drawer-Back Panel-1pc</p>
<p>F5</p>  <p>Drawer-Bottom Panels-2pcs</p>	<p>F6</p>  <p>Drawer-Back Panels-2pcs</p>	<p>F9</p>  <p>Drawer-Bottom Panel-1pc</p>

Hardware List

<p>1</p>  <p>Screws 1/4"x80 8pcs</p>	<p>2</p>  <p>Ø1/4" x 30 mm Hex-Head bolts 34pcs</p>	<p>3</p>  <p>Ø10 x 40 mm Wood dowel 6pcs</p>
<p>4</p>  <p>Ø1/4" x 90 mm Hex-Head bolts 14pcs</p>	<p>5</p>  <p>Ø1/4" x 13 mm Horizontal-Hole bolts 14pcs</p>	<p>6</p>  <p>Ø1/4" x 60 mm Hex-Head bolts 2pcs</p>
<p>7</p>  <p>M4 x 30 mm Wood Screws 67pcs</p>	<p>8</p>  <p>M4 x 15 mm Wood Screws 18pcs</p>	<p>9</p>  <p>Dowel Remove Shelves 8pcs</p>
<p>10</p>  <p>M4 x 15 mm Wood Screws 20pcs</p>	<p>11</p>  <p>Wheels 4pcs</p>	<p>12</p>  <p>Steel Bracket 3pcs</p>
<p>13</p>  <p>Allen Key 1pc</p>		



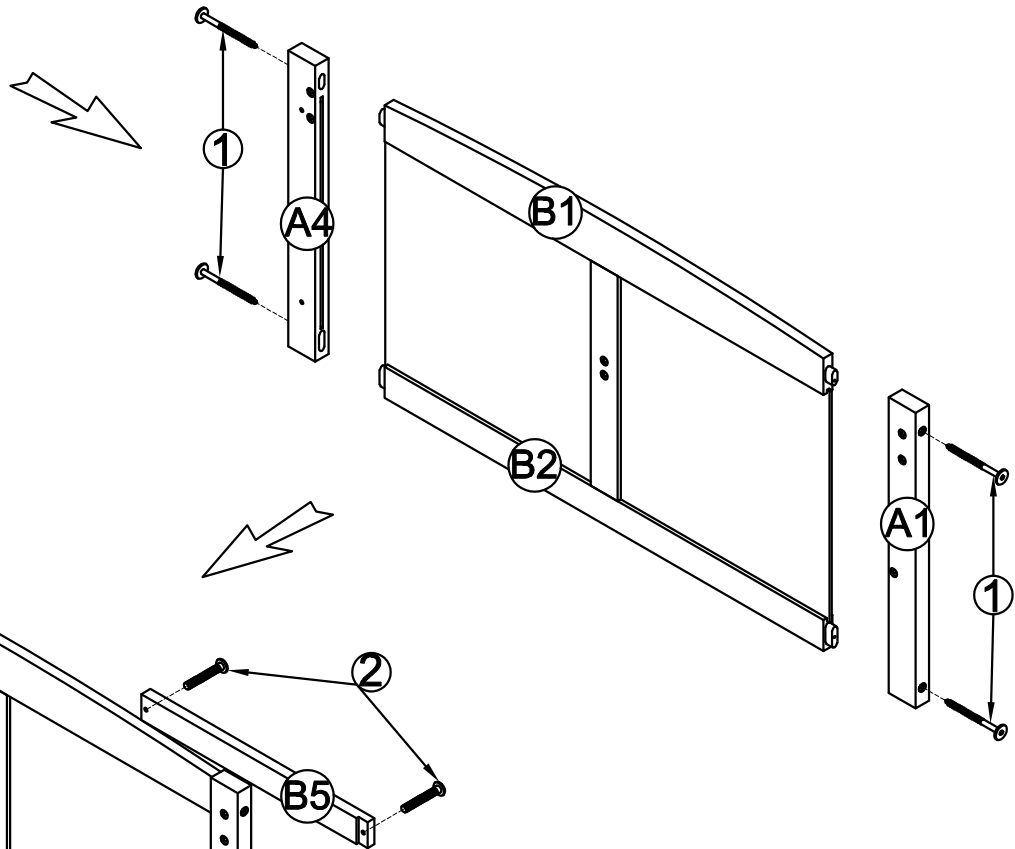
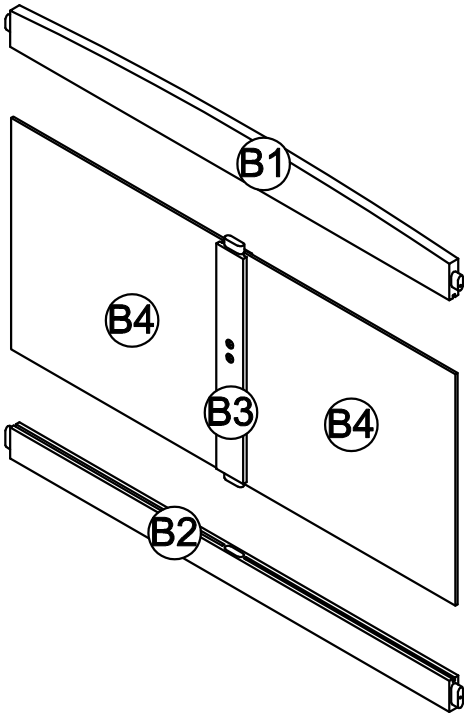
Assembly Tools Required (Not Included)

STEP1: Following below illustration:

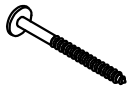
1.1: Fix B3 Wood Bar with B1, B2 Wood bars and B4(x2) Panels

1.2: Using hardware #1 connect A1, A4 Legs With B1, B2 Wood Bar

1.3: Using hardware #2 connect Frame (completed on step 1.2) With B5 Wood Bar



1



4pcs

2



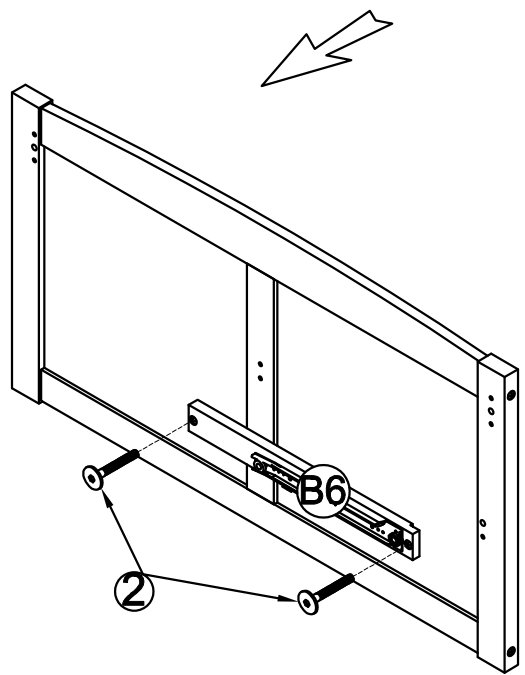
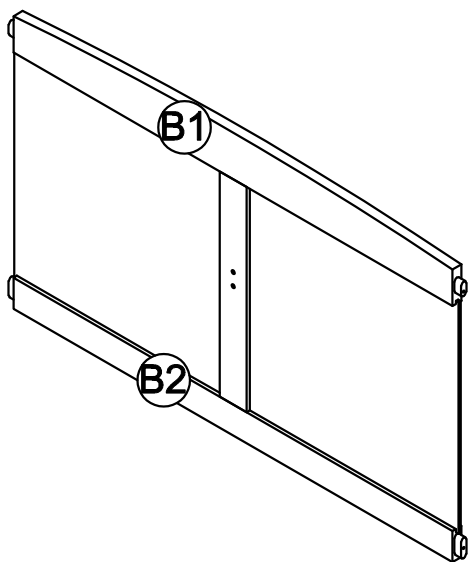
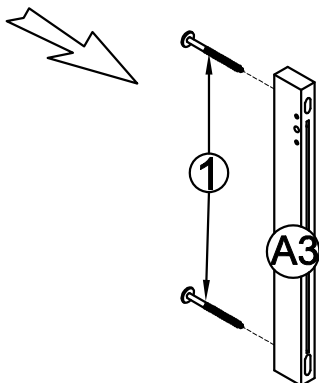
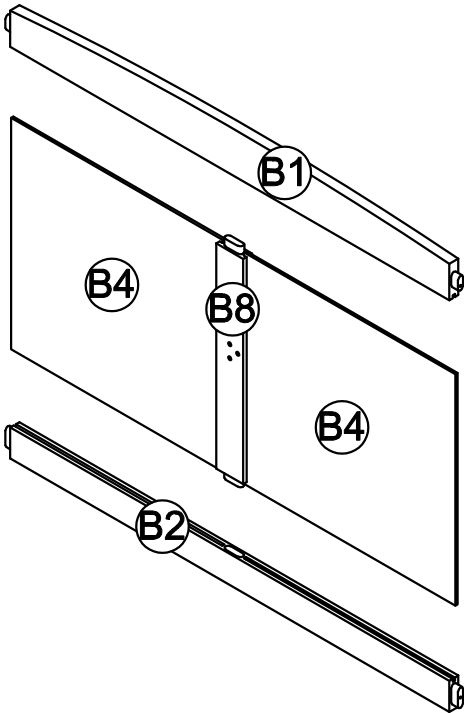
2pcs

STEP 2: Following below illustration:

1.1: Fix B8 Wood Bar with B1, B2 Wood bars and B4(x2) Panels

1.2: Using hardware #1 connect A2, A3 Legs With B1, B2 Wood Bar


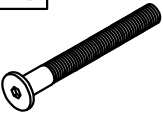

1.3: Using hardware #2 connect Frame (completed on step 1.2) With B6 Wood Bar

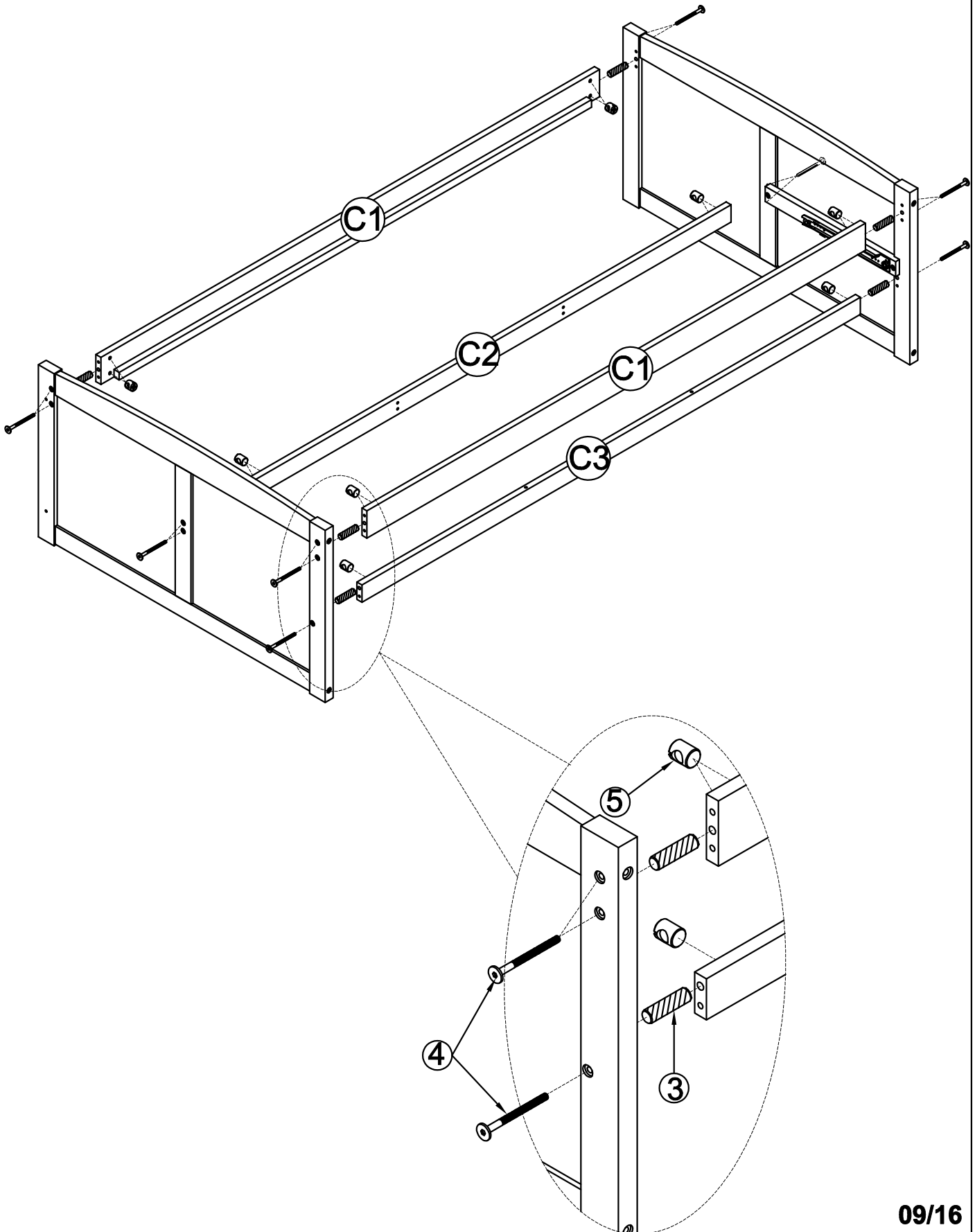


1	
	4pcs
2	
	2pcs

STEP 3: Following below illustration:

-Using hardware #4,#5 and dowel #3 to Assembly Headboard and Footboard with siderail C1(x2) and Rails C2,C3
-Look at detail view for more detail

5	4	3
		
14pcs	14pcs	6pcs





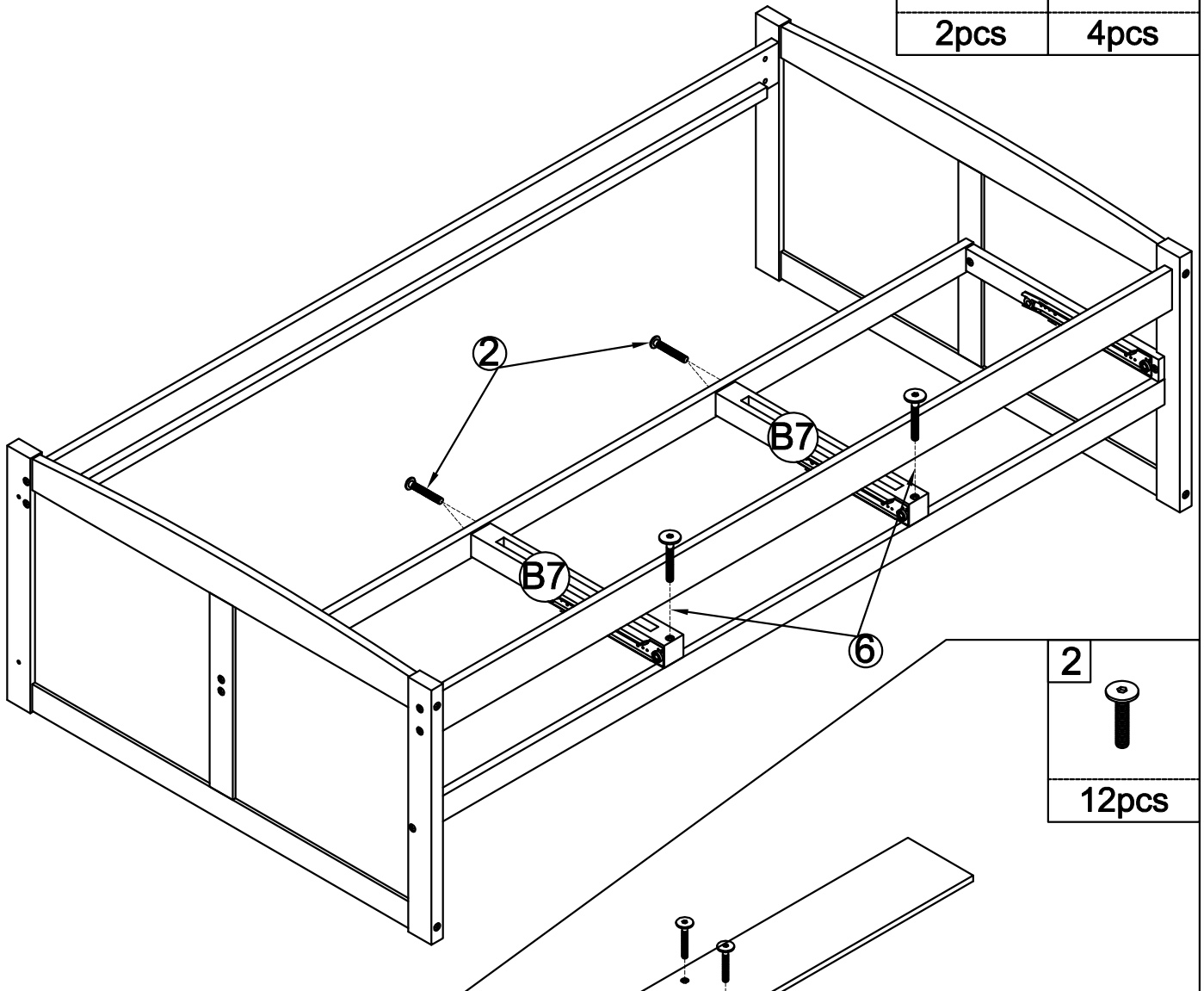
STEP 4:


Following below illustration:

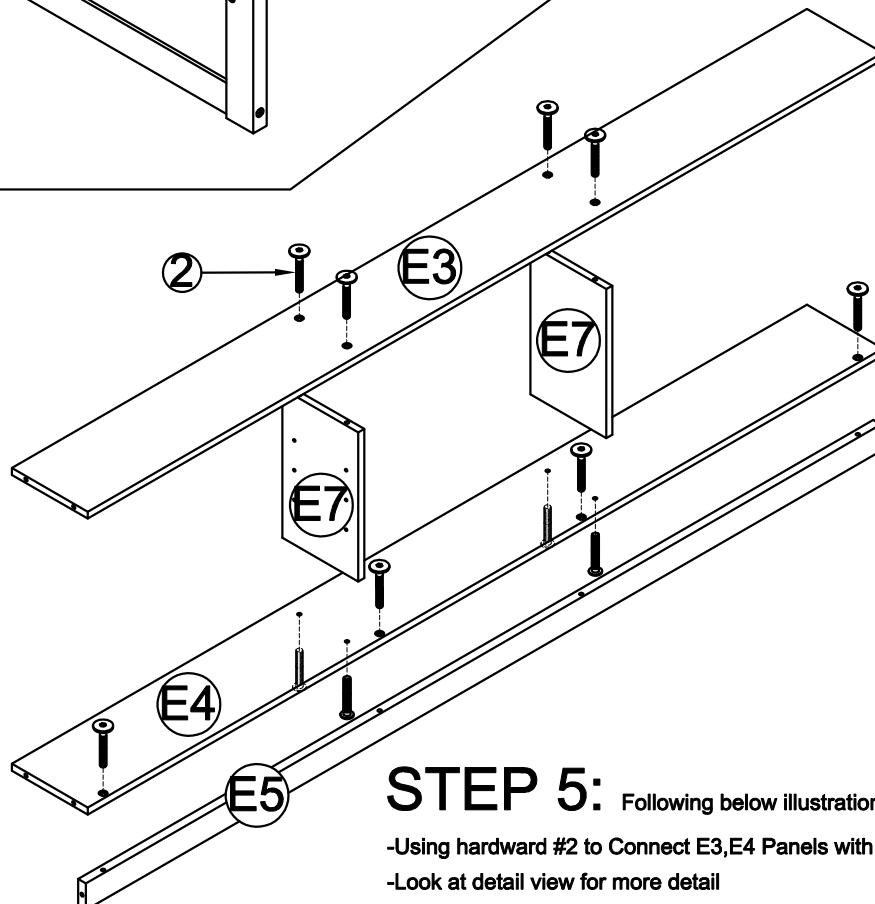
-Using hardware #2,#6 to Connect B7 Frames B7(x2) With Frame(completed don step 3)

-Look at detail view for more detail

6		2	
2pcs		4pcs	



2	
12pcs	



STEP 5:

Following below illustration:

-Using hardware #2 to Connect E3,E4 Panels with E5,E7(x2) Panels

-Look at detail view for more detail

STEP 6:

Following below illustration:

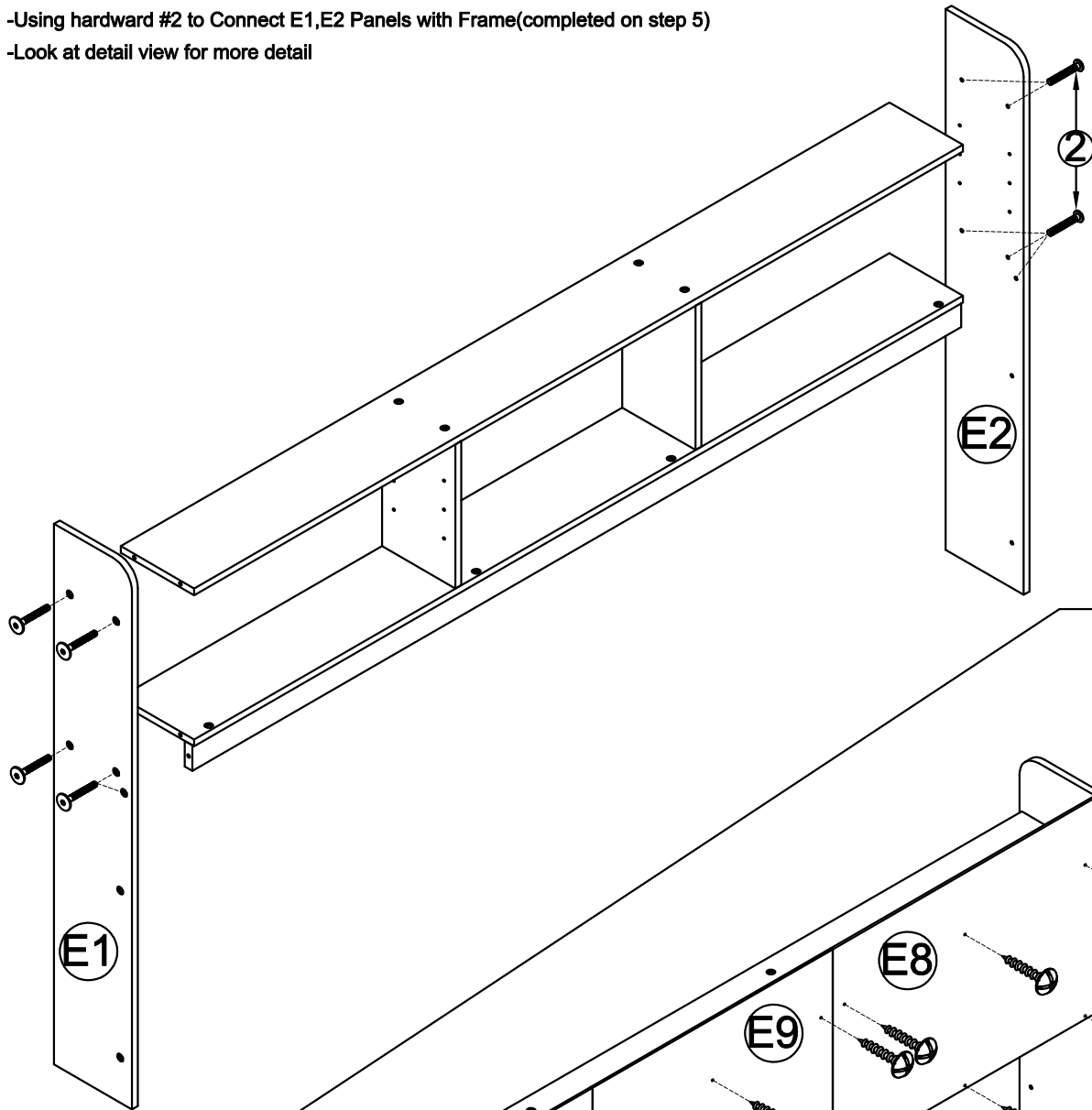
-Using hardward #2 to Connect E1,E2 Panels with Frame(completed on step 5)

-Look at detail view for more detail

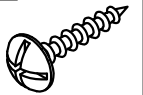
2



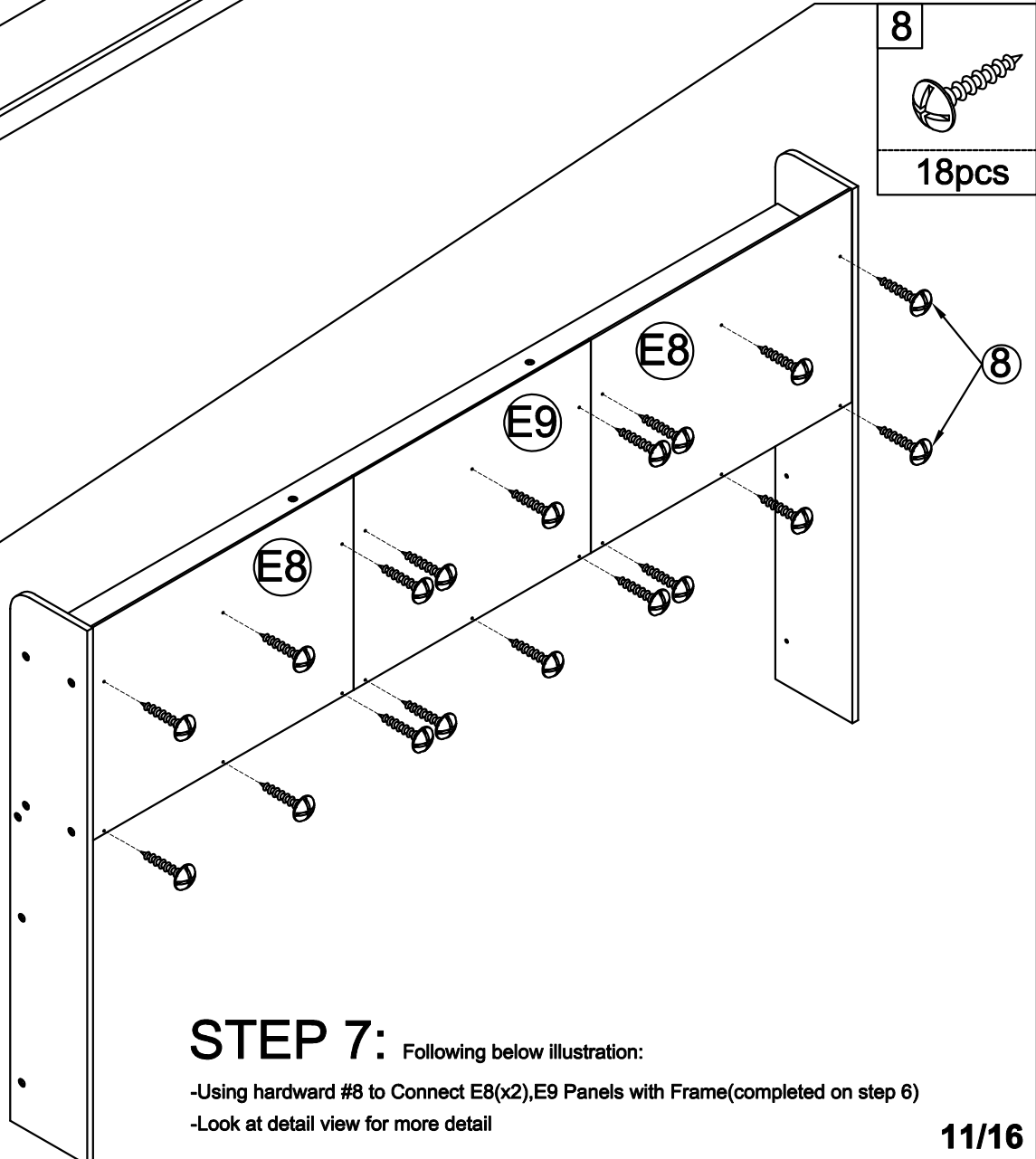
10pcs



8



18pcs



STEP 7:

Following below illustration:

-Using hardward #8 to Connect E8(x2),E9 Panels with Frame(completed on step 6)

-Look at detail view for more detail

STEP 8:

Following below illustration:

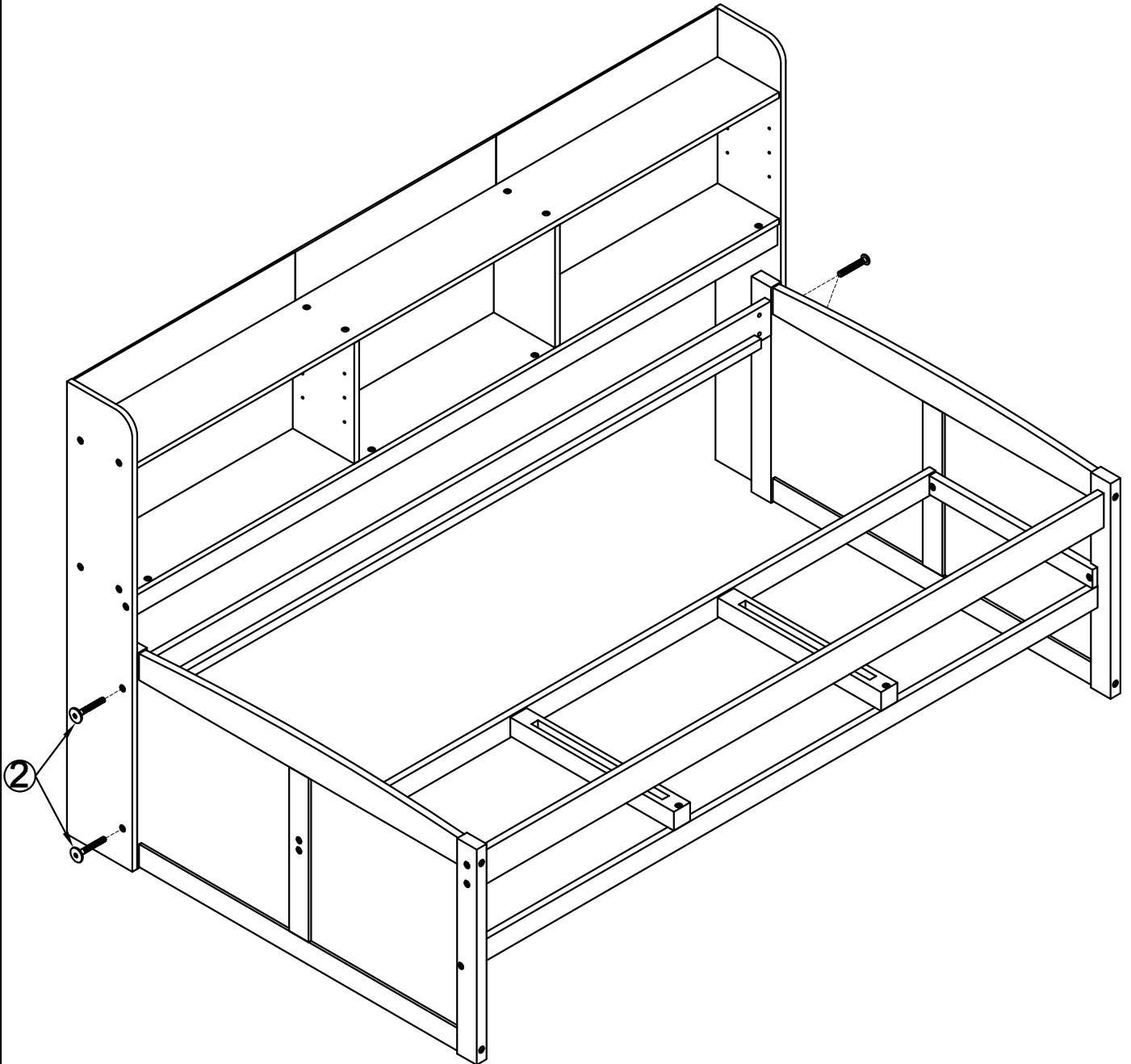
-Using hardward #2 to Connect Frame(completed on step 4) with Frame(completed on step 7)

-Look at detail view for more detail

2





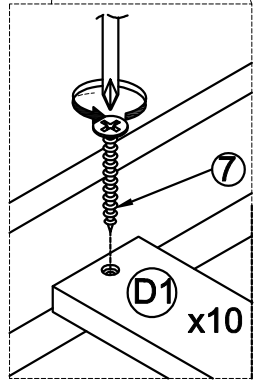
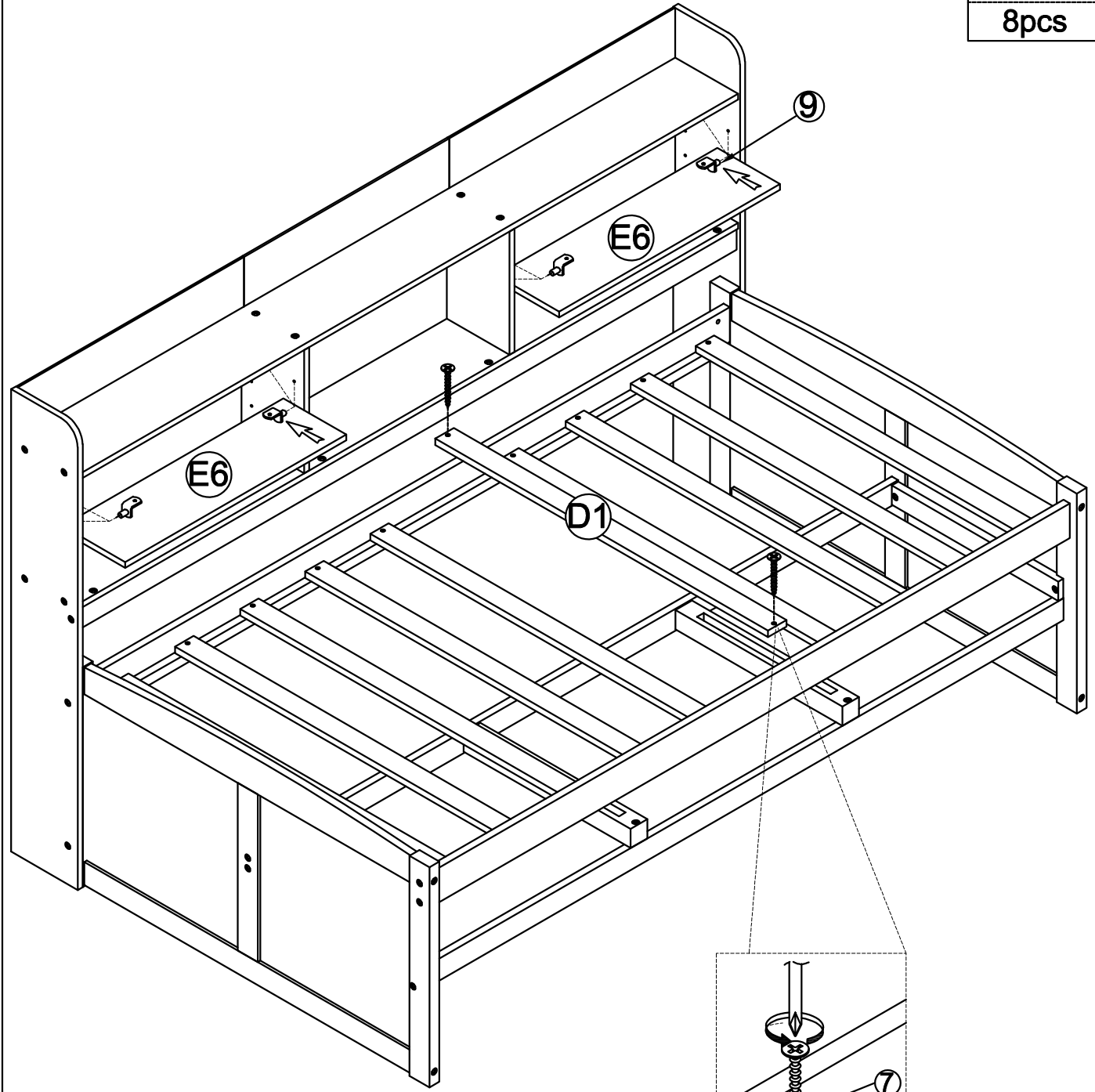
4pcs



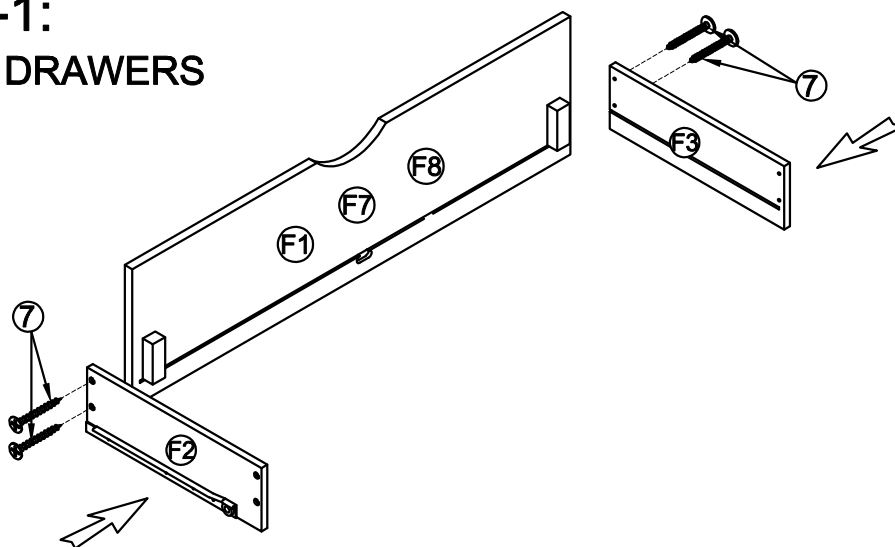
STEP 9: Following below illustration:


- Assembly HW #9 then push Remove panel E6(x2) in the right place
- Screw slats D1(x10) with Side Rail C1 by using hardward #7.

7	
20pcs	
9	
8pcs	

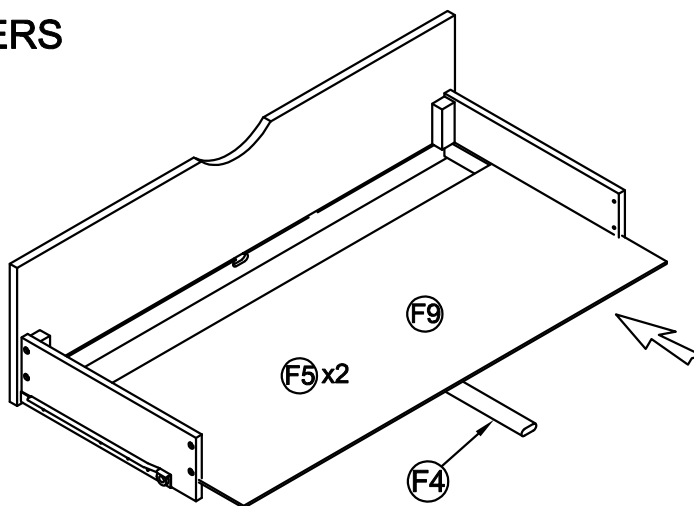


STEP 10-1: ASSEMBLY DRAWERS

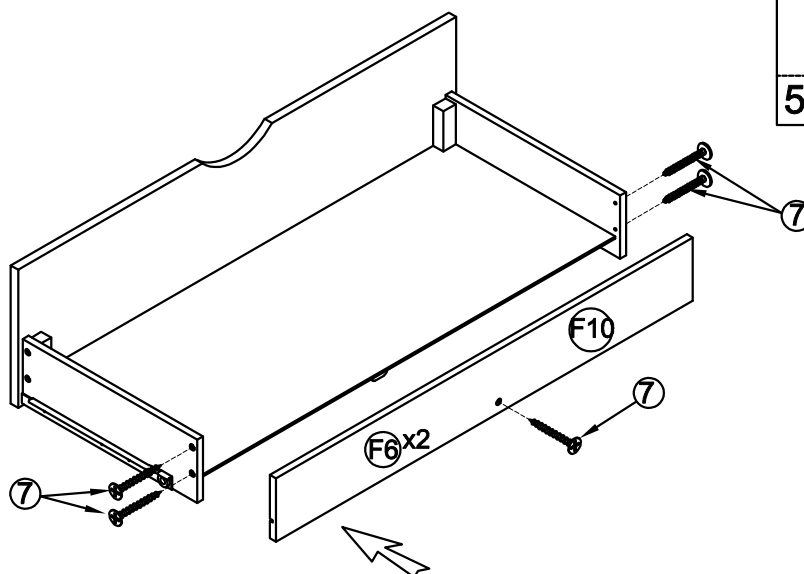



7 
4x3(pcs)

STEP 10-2: ASSEMBLY DRAWERS



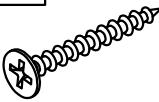
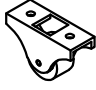
STEP 10-3: ASSEMBLY DRAWERS

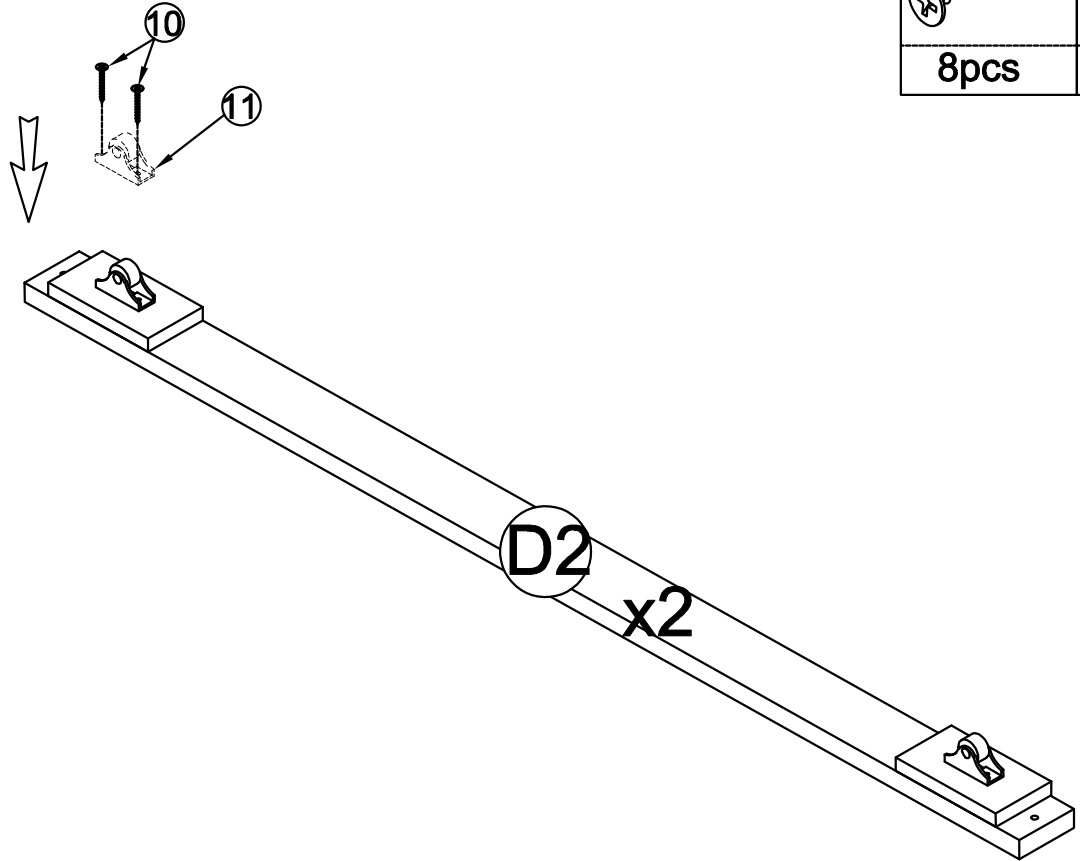


7 
5x3(pcs)

STEP 11-1: Following below illustration:




-Using hardware #10 to connect Wheels #11 With Slats D2(x2)

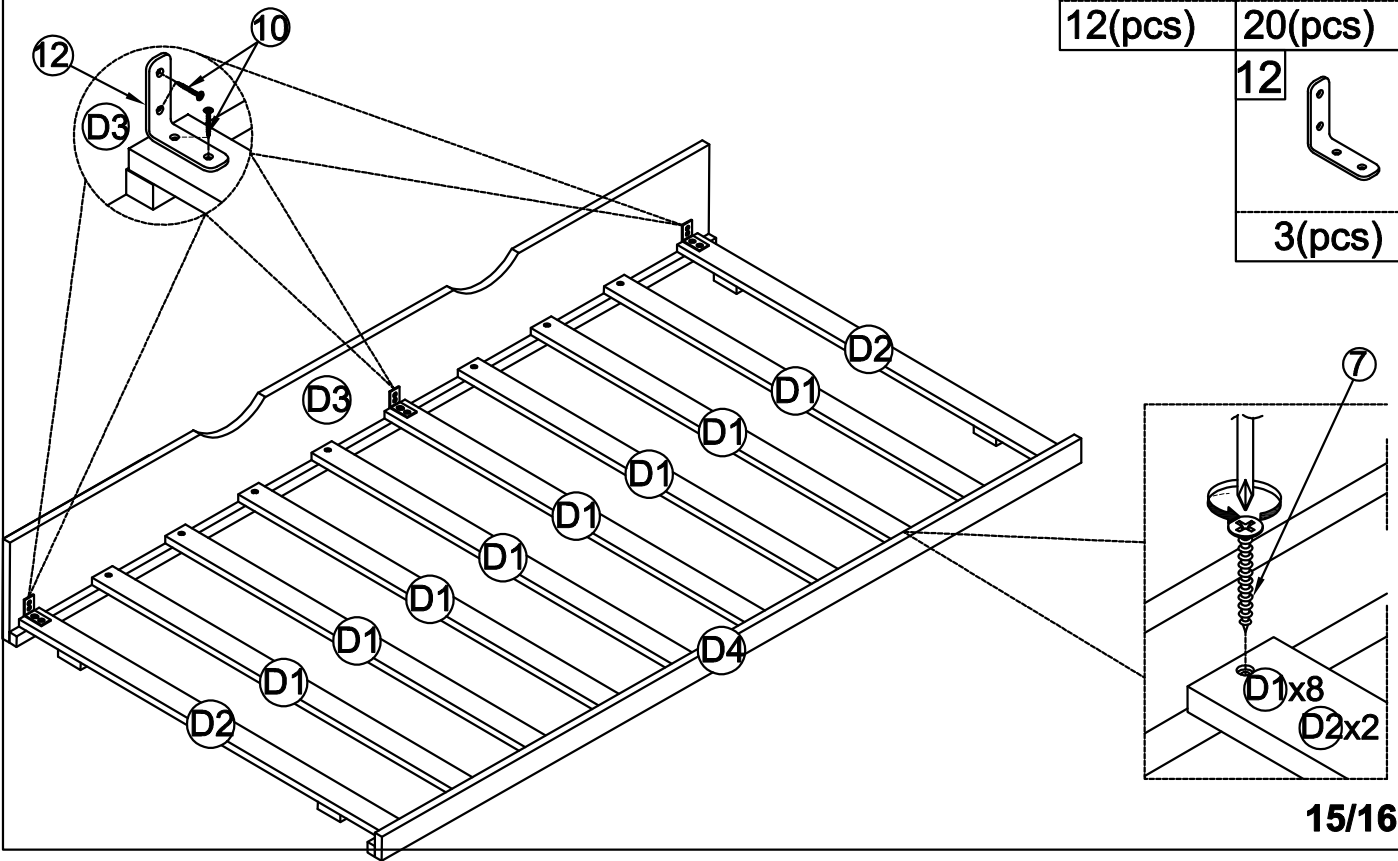
10 	11 
8pcs	4pcs



STEP 11-2: Following below illustration:

-Screw 8 slats D1 and 2 slats D2 with Front Trundle D3 and Back Trundle D4 by using hardware #8.
 -Screw Steel Bracket (#11) with Front Trundle(E1) and slats D,D1 using hardware #9

10 	7 
12(pcs)	20(pcs)
12 	
3(pcs)	



STEP 12: Following below illustration:

-Push Trundle and 3 Drawers in to under Bed

