

# ASSEMBLY INSTRUCTION

Thank you for purchasing this quality product. Be sure to check all packing material carefully for small parts which may have come loose inside the carton during shipment. Separate, identify and count all parts and hardware. Compare with the parts list to be sure all parts are present.

**IMPORTANT : PLEASE READ INSTRUCTION BEFORE STARTING THE ASSEMBLY.**

**"DO NOT TIGHTEN SCREWS UNTIL COMPLETELY ASSEMBLED"**

**"DO NOT OVERTIGHT ANY HARDWARE"**

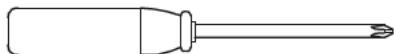
**WARNING : SMALL PARTS AND HARDWARE NOT FOR CHILDREN UNDER 3 YEARS. ADULT ASSEMBLY REQUIRED.**

## TABLE OF CONTENTS

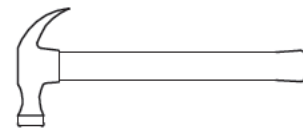
HARDWARES LIST	PAGE 2
PARTS LIST	PAGE 3 - 4
PARTS' LOCATION	PAGE 5
ASSEMBLY STEPS	PAGE 6 - 14
ASSEMBLY COMPLETED	PAGE 15

## ASSEMBLY TOOLS REQUIRED

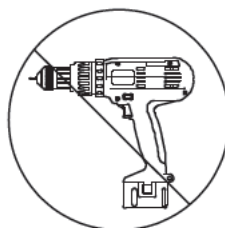
1. Screwdriver (not provide)



2. Hammer (not provide)

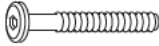



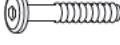
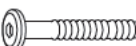









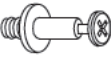



Skip the power drill this time.



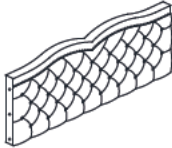
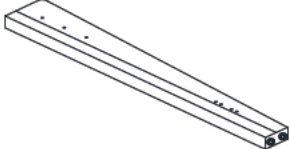
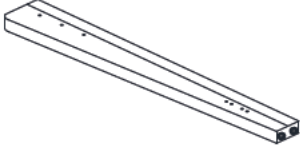
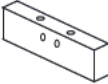
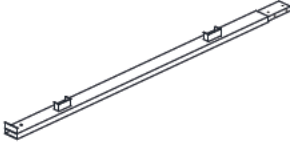
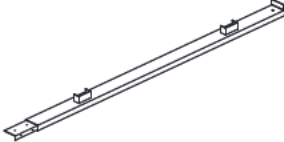
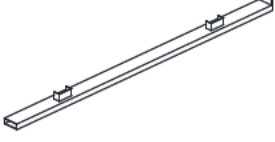
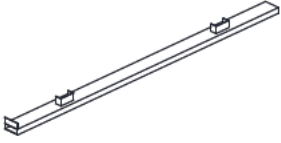
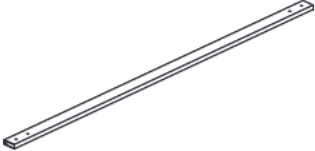
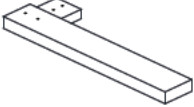
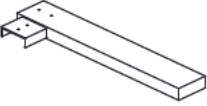
# ASSEMBLY INSTRUCTION

## HARDWARES LIST

ITEM	DESCRIPTION	DRAWING	QTY
A	JCBC SCREW M8 x 70MM		4 PCS
B	WOOD DOWEL M10 x 30MM		4 PCS
C	JCBC SCREW M6 x 15MM		16 PCS
D	JCBC SCREW M6 x 20MM		12 PCS
E	JCBC SCREW M6 x 35MM		6 PCS
F	JCBC SCREW M6 x 50MM		2 PCS
G	SPRING WASHER M6 x 12MM		8 PCS
H	FLAT WASHER M6 x 19MM		8 PCS
I	SPRING WASHER M8 x 13MM		4 PCS
J	FLAT WASHER M8 x 22MM		4 PCS
K	M4 ALLEN KEY (100MM)		1 PC
L	M5 ALLEN KEY (65MM)		1 PC
M	SUPPORT LEG ADJUSTABLE FEET		4 PCS
FOR INNER BOX PACKING			
N	WOOD DOWEL M6 x 30MM		64 PCS
O	MINIFIX CAM LOCK		32 PCS
P	MINIFIX BOLT		32 PCS
Q	CSK C/B SCREW (M4 x 16MM)		64 PCS

# ASSEMBLY INSTRUCTION

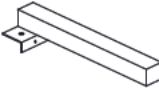
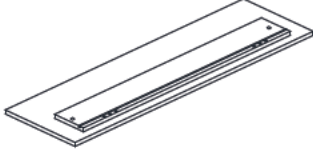

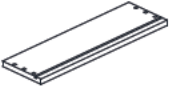

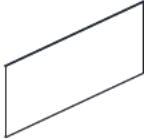

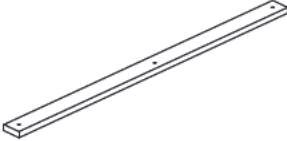



## PARTS LIST

ITEM	DESCRIPTION	DRAWING	QTY
1	HEADBOARD		1 PC
2	WING (L)		1 PC
3	WING (R)		1 PC
4	WING SUPPORT		2 PCS
5	FRONT SIDE RAIL (L)		1 PC
6	FRONT SIDE RAIL (R)		1 PC
7	BACK SIDE RAIL (L)		1 PC
8	BACK SIDE RAIL (R)		1 PC
9	METAL TUBE		1 PC
10	FOOTBOARD LEG (L)		1 PC
11	FOOTBOARD LEG (R)		1 PC

MORE PARTS DETAIL IN NEXT PAGE...

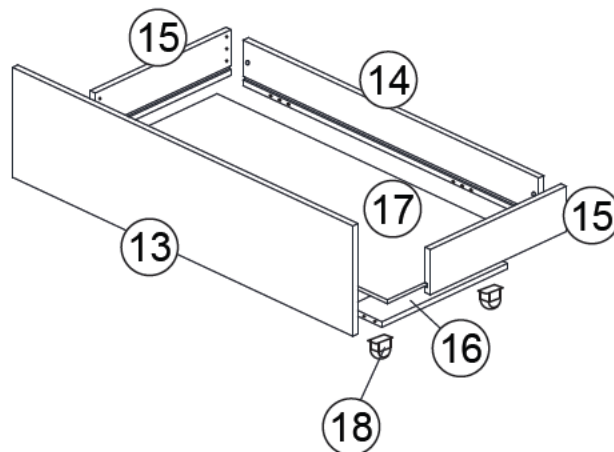
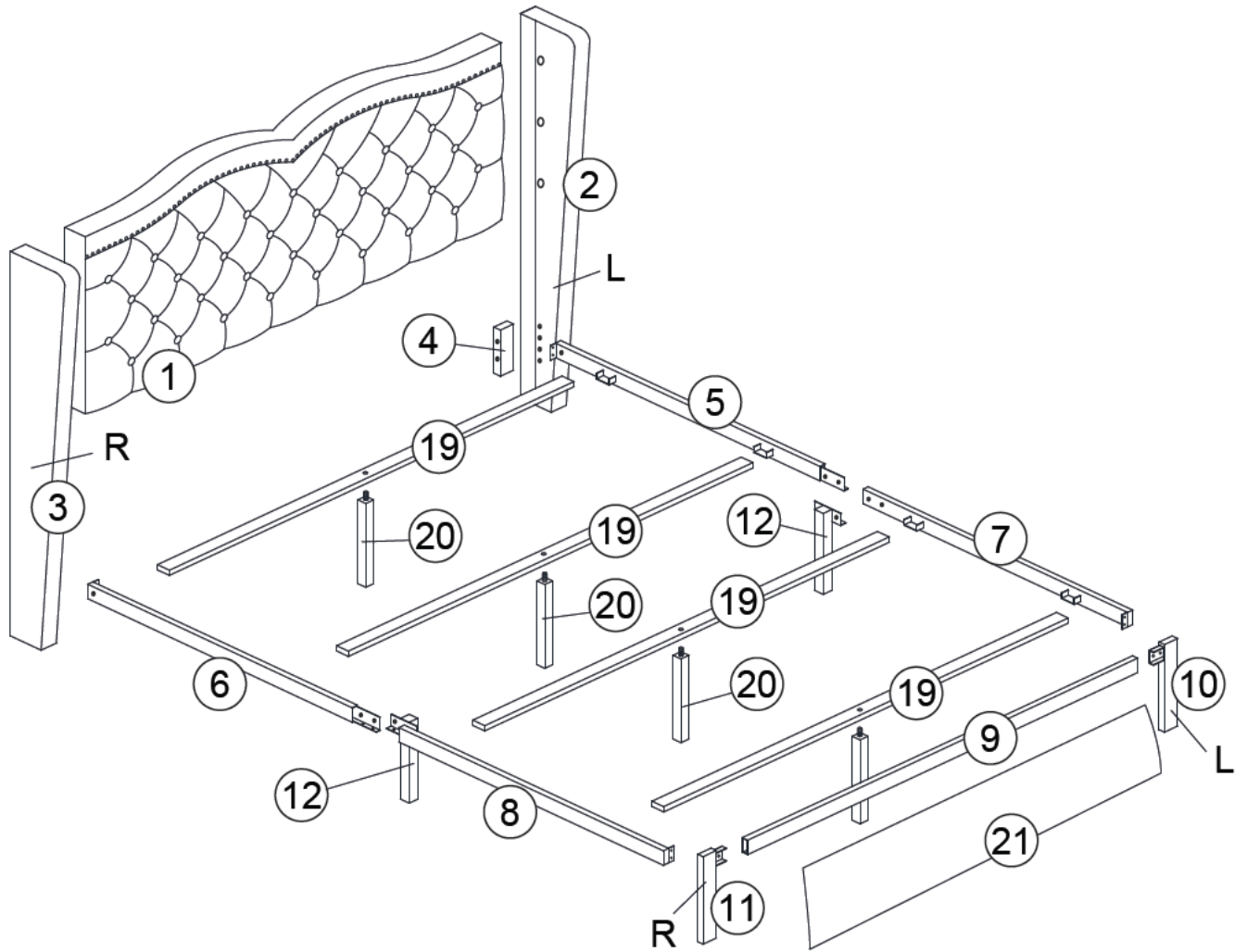
# ASSEMBLY INSTRUCTION

## PARTS LIST

ITEM	DESCRIPTION	DRAWING	QTY
12	SIDE RAIL LEG		2 PCS
13	DRAWER FRONT PANEL		4 PCS
14	DRAWER BACK PANEL		4 PCS
15	DRAWER SIDE PANEL		8 PCS
16	DRAWER SUPPORT		8 PCS
17	DRAWER PANEL		4 PCS
18	CASTOR		16 PCS
19	SLAT		4 PCS
20	SUPPORT LEG WITH HANGER BOLT		4 PCS
21	FOOTBOARD COVER		1 PC
24	SELF-ADHESIVE VELCRO TAPE		1 PC

# ASSEMBLY INSTRUCTION

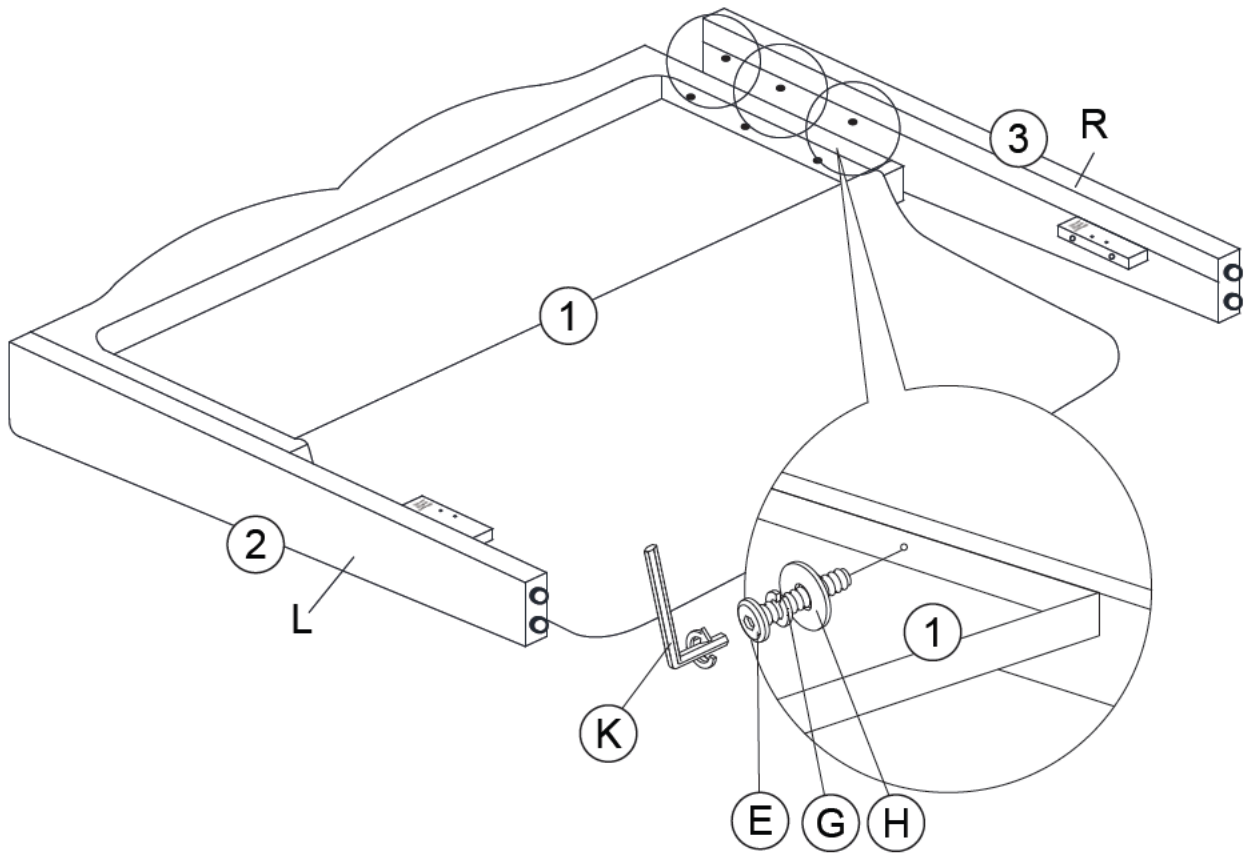
## PARTS ' LOCATION



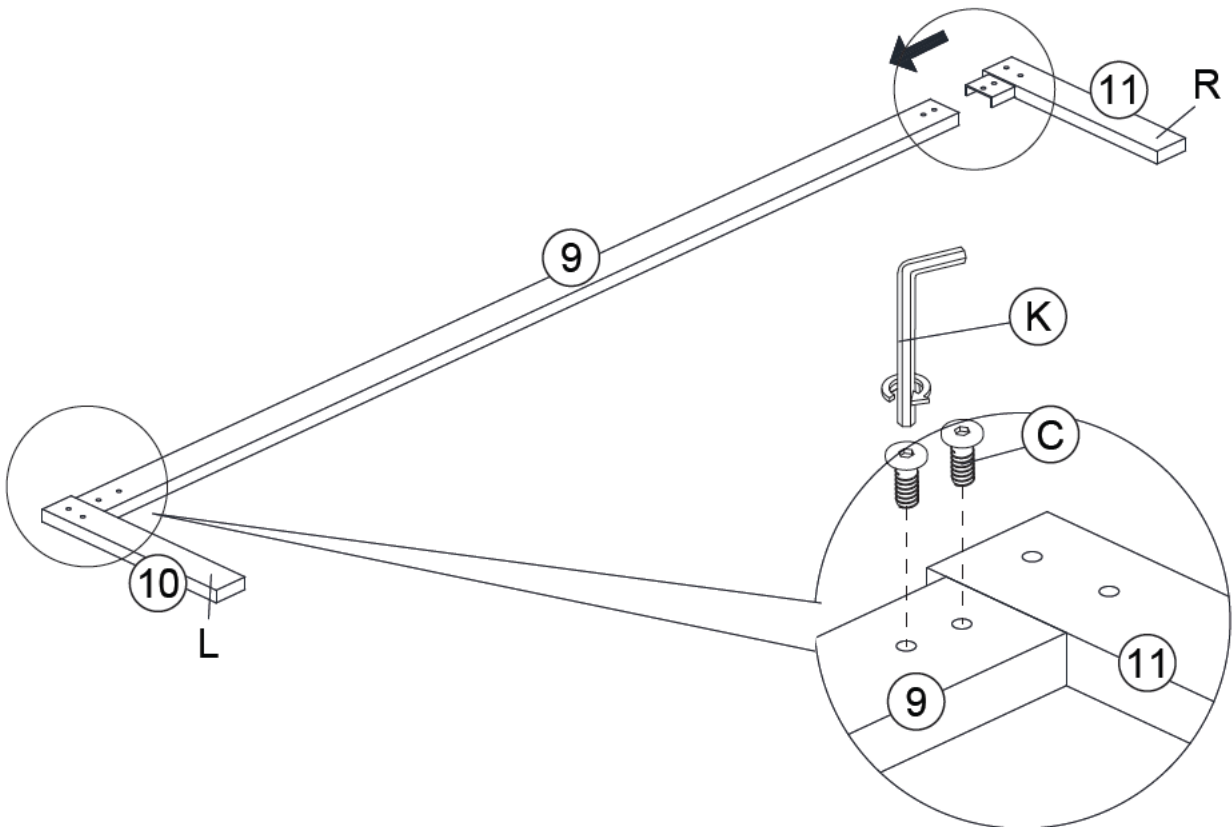


# ASSEMBLY INSTRUCTION

## STEP 3

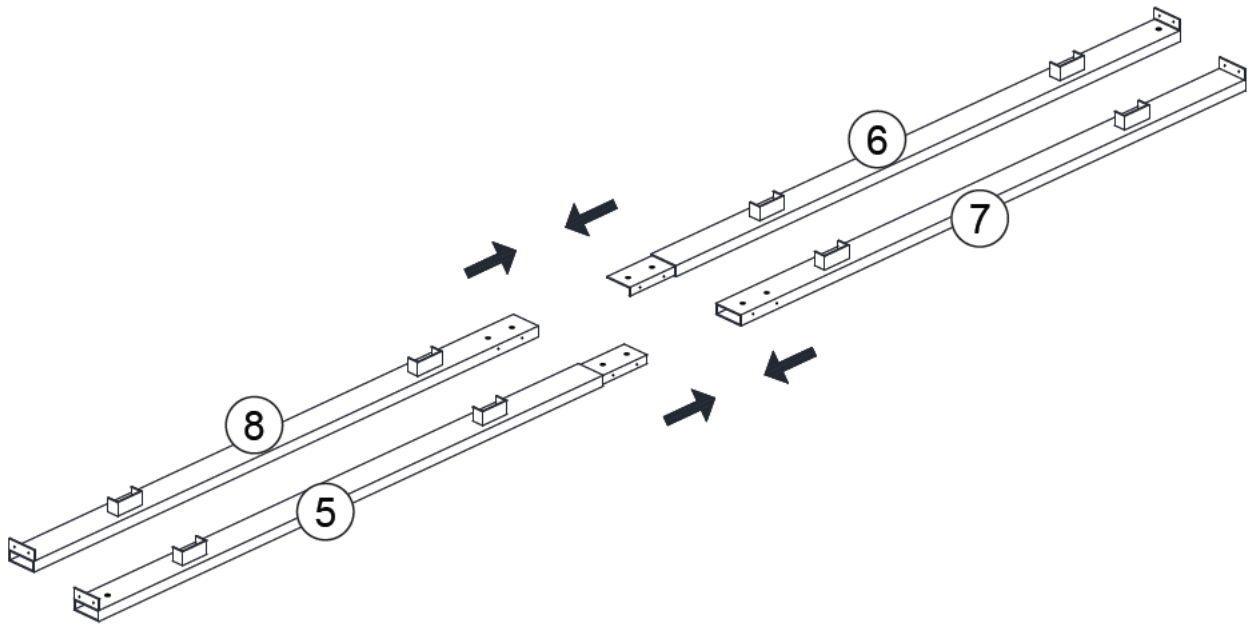


## STEP 4

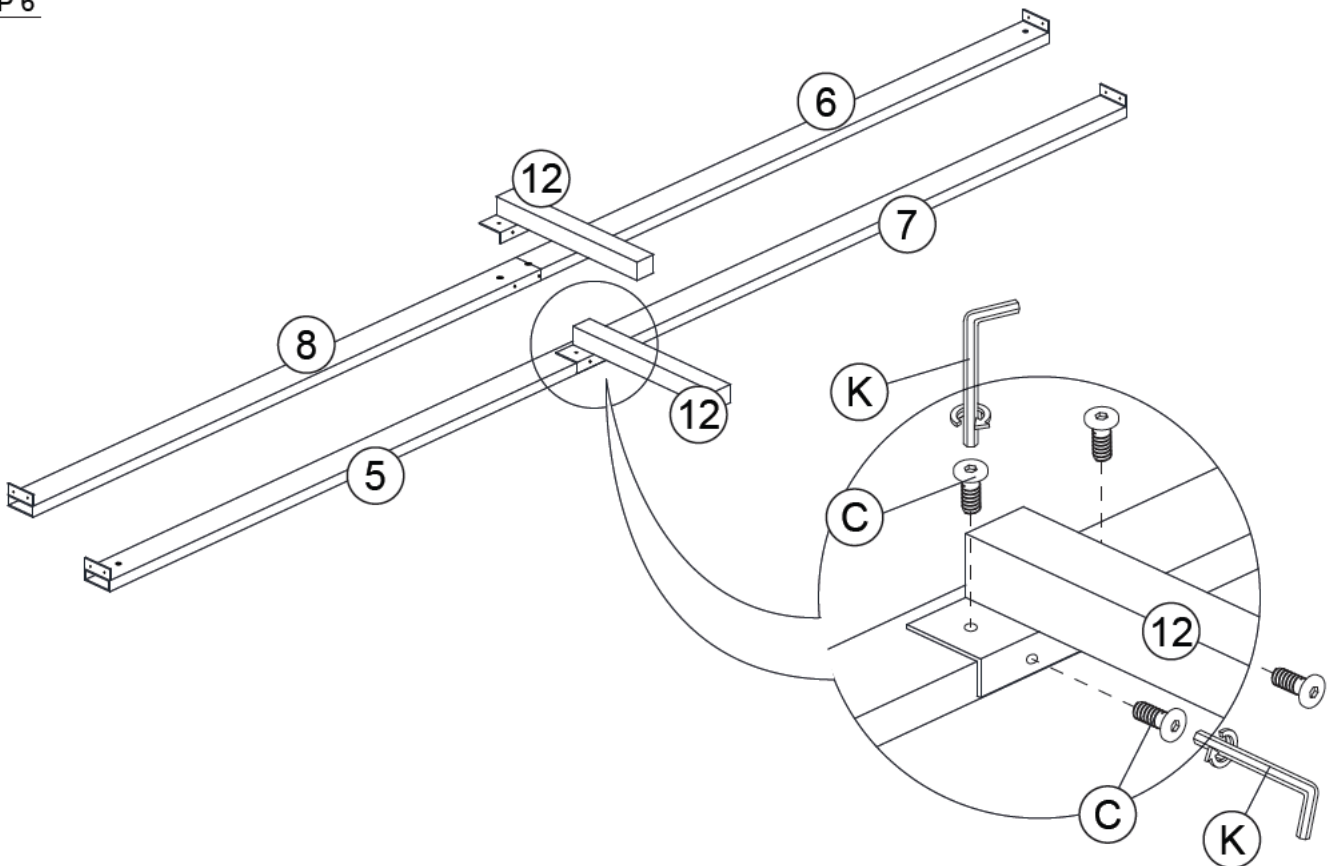


# ASSEMBLY INSTRUCTION

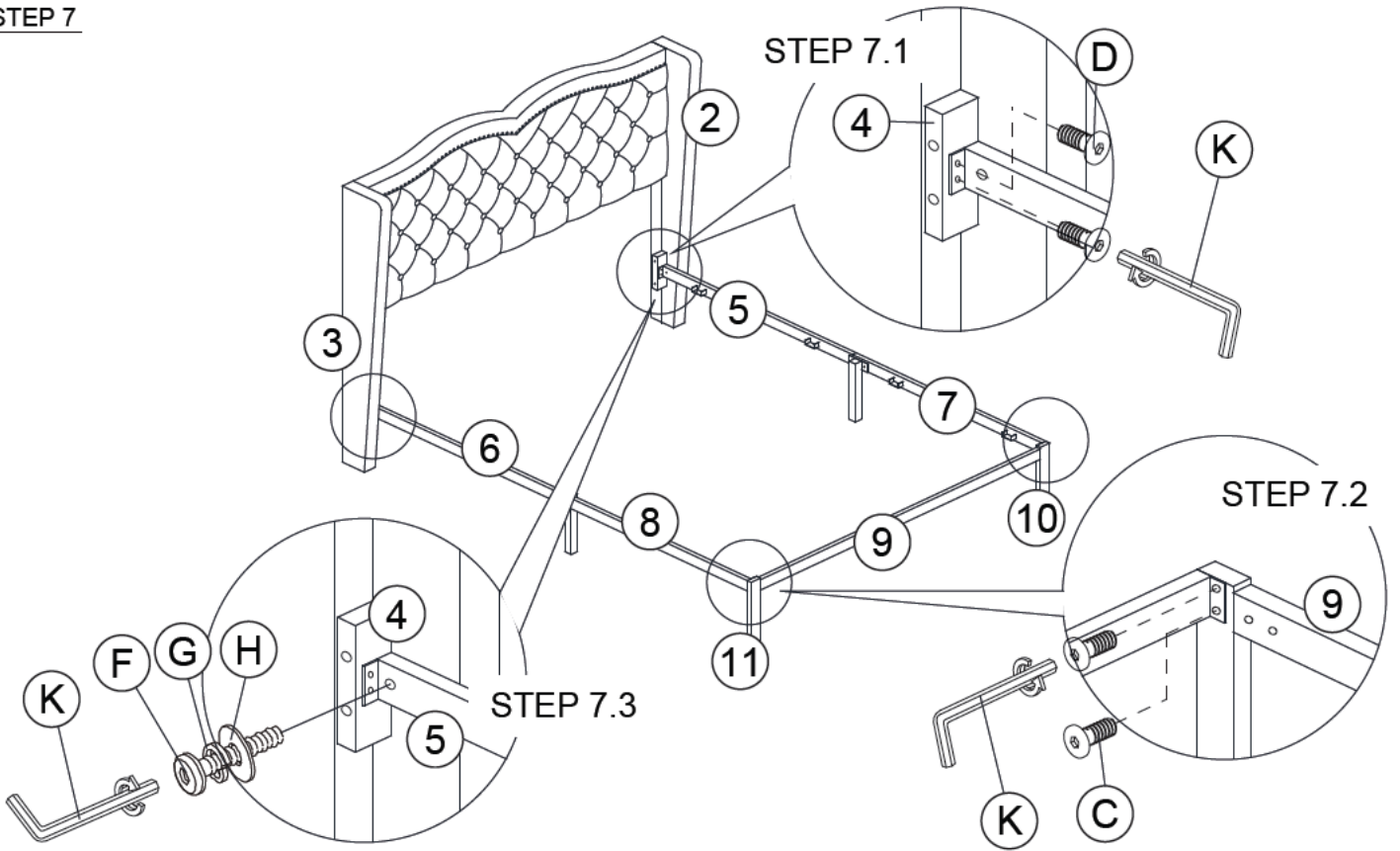
## STEP 5



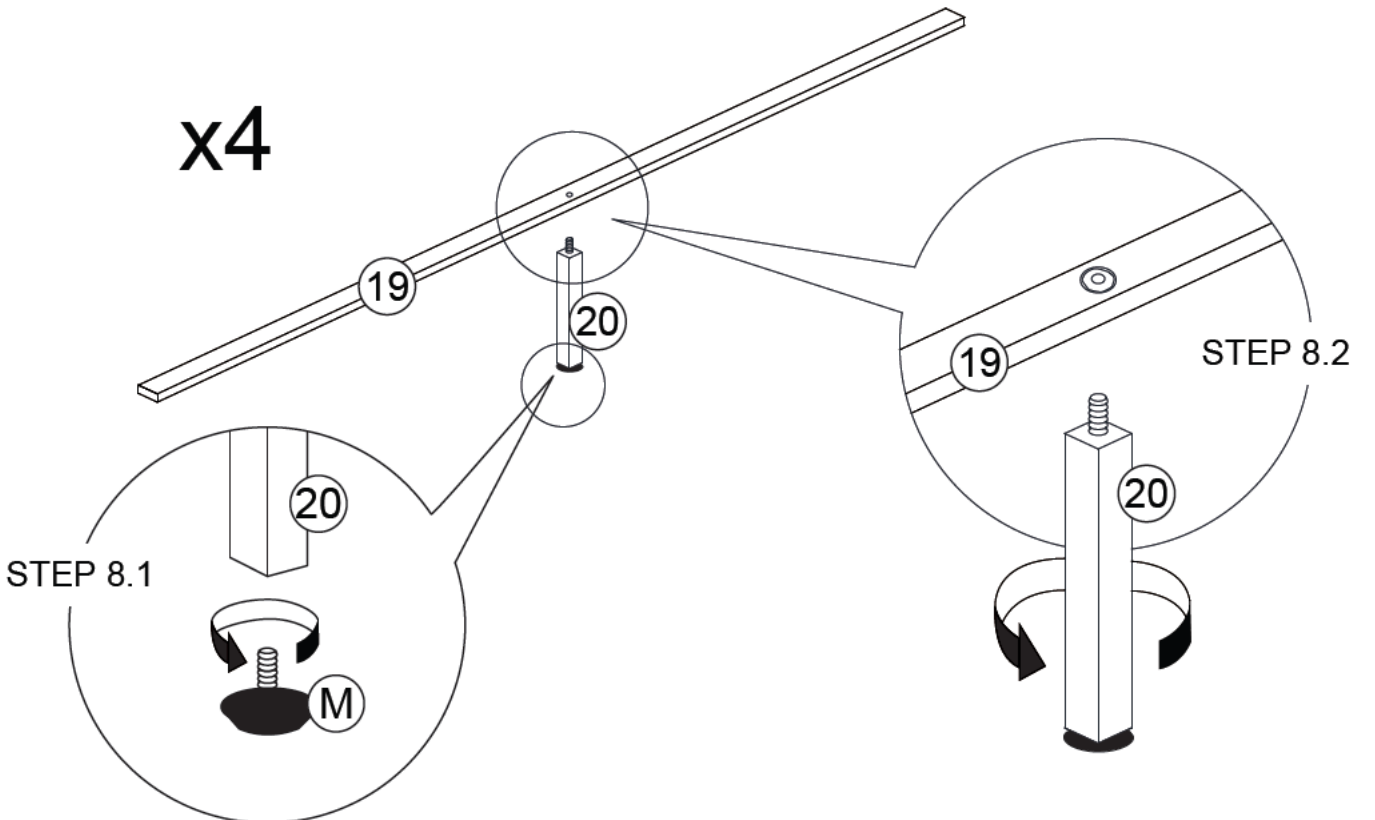
## STEP 6



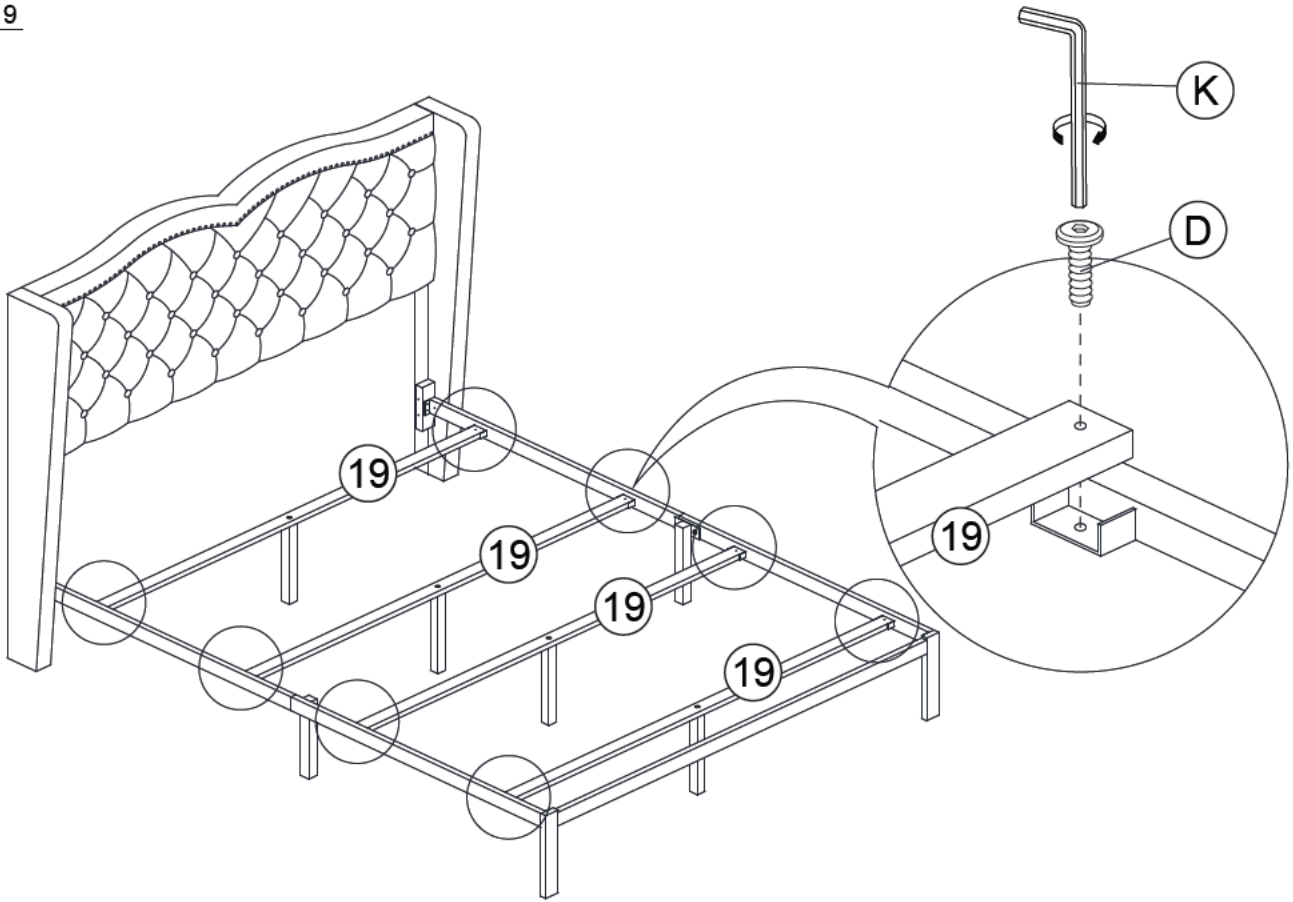
STEP 7



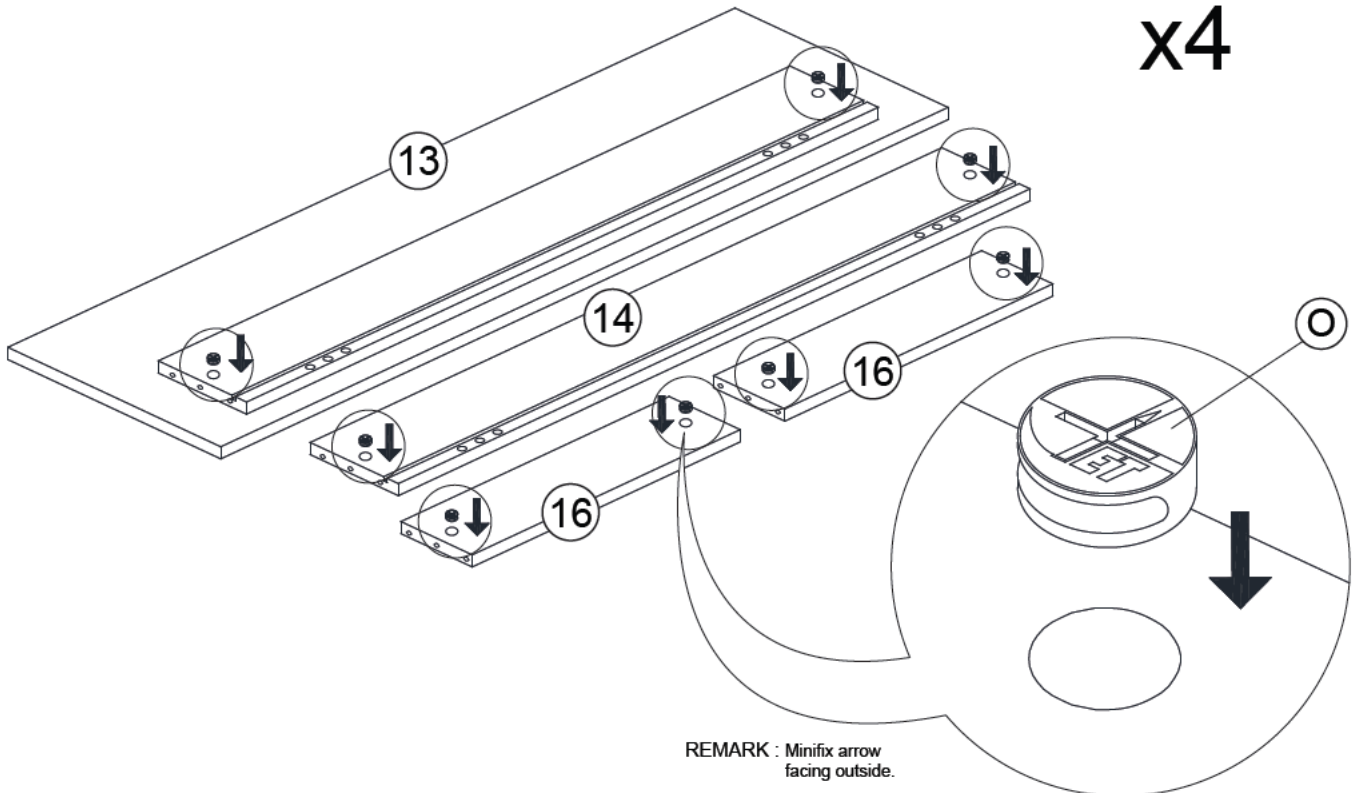
STEP 8



STEP 9

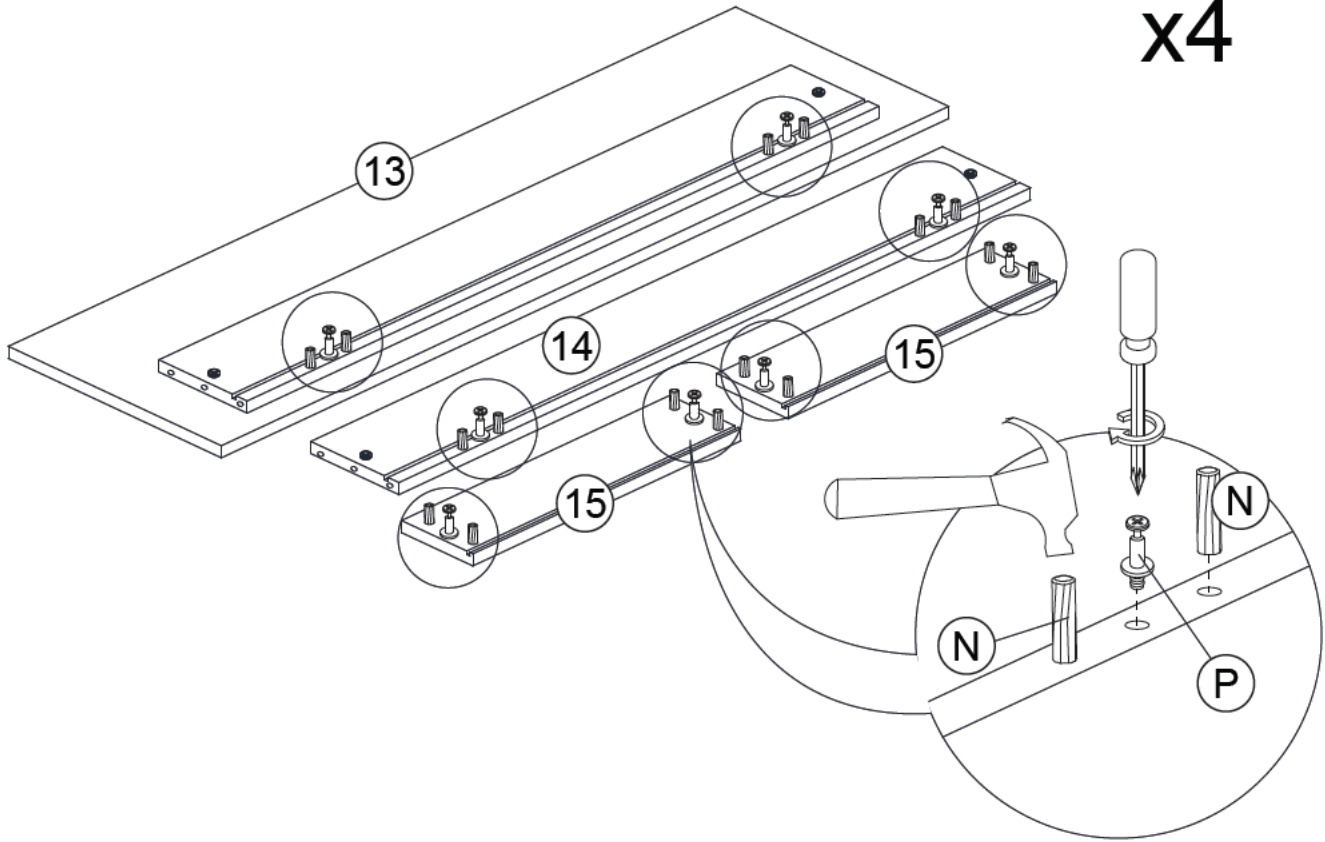


STEP 10



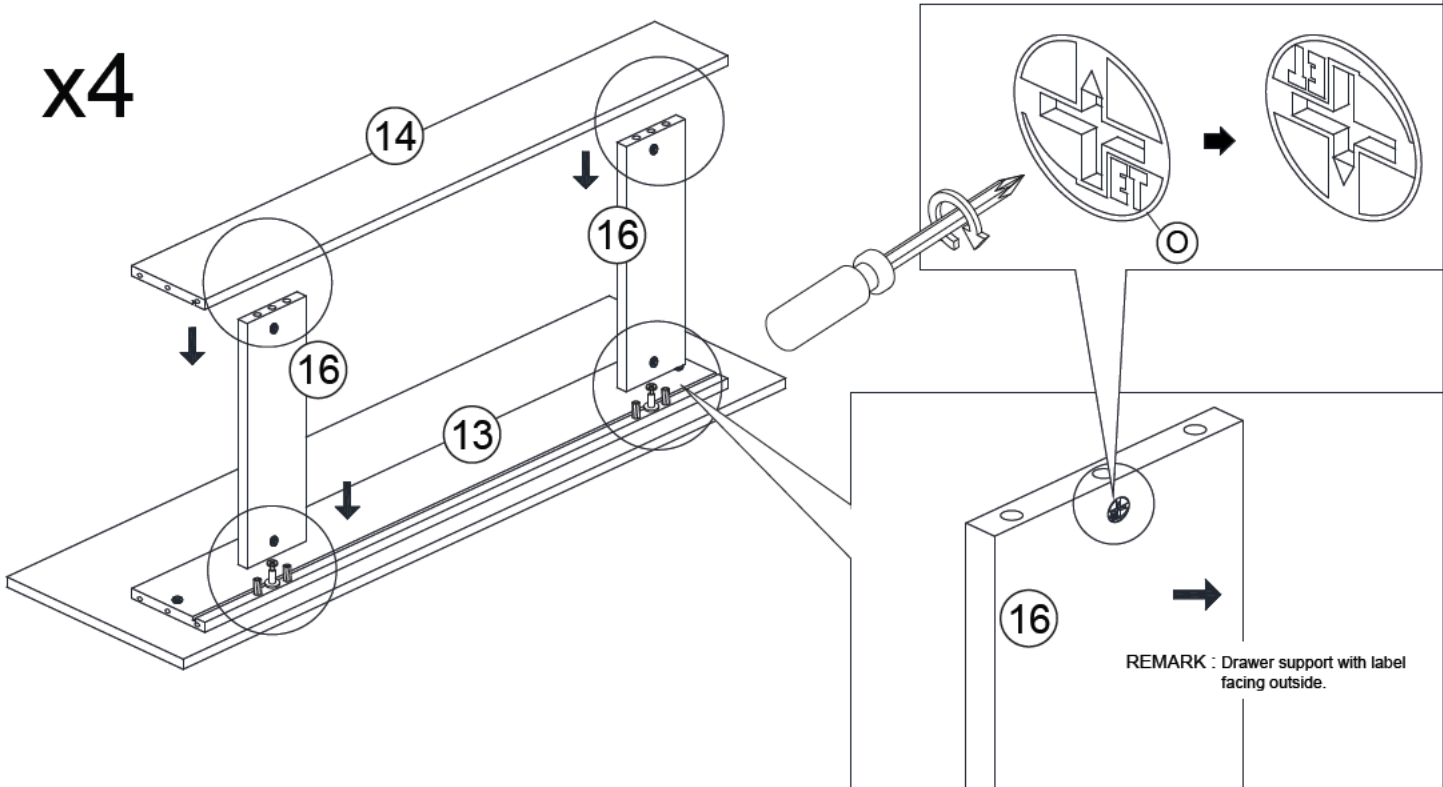
STEP 11

x4



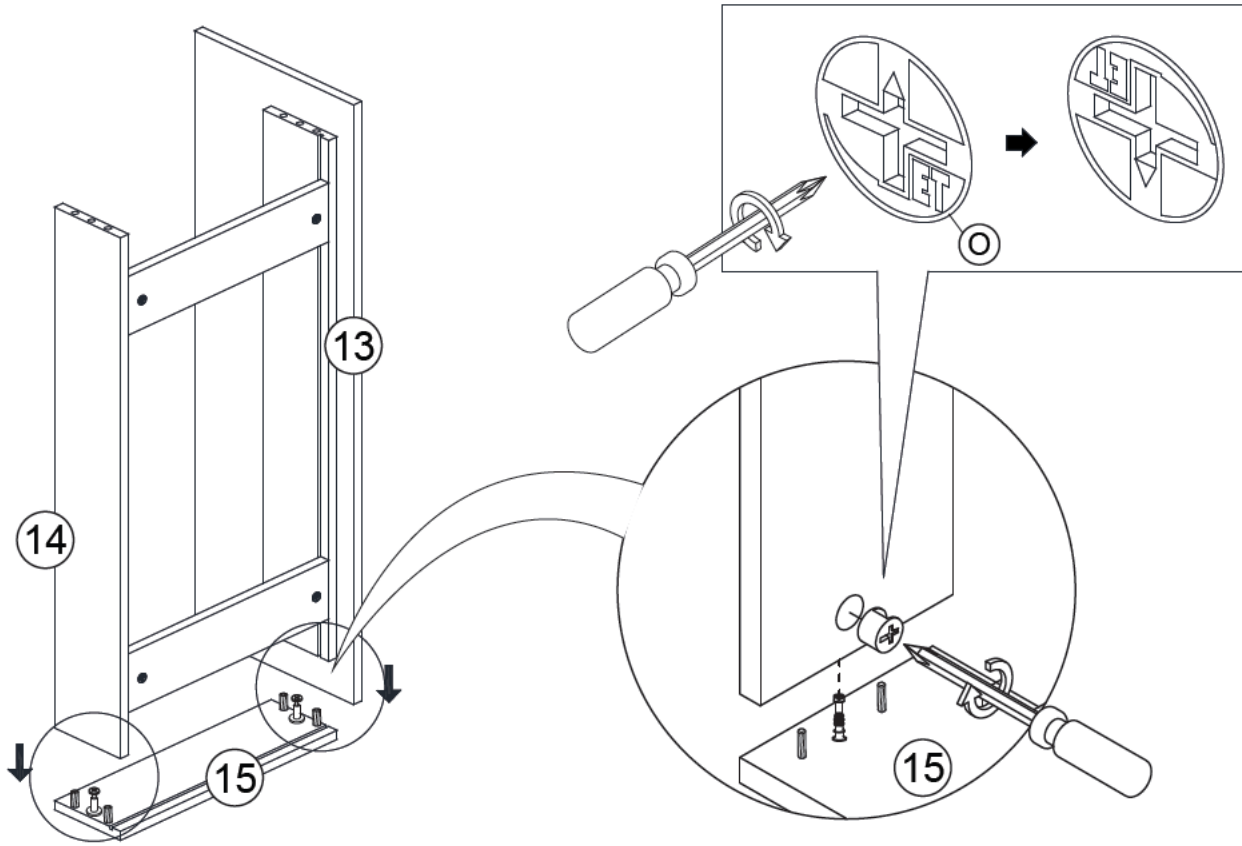
STEP 12

x4



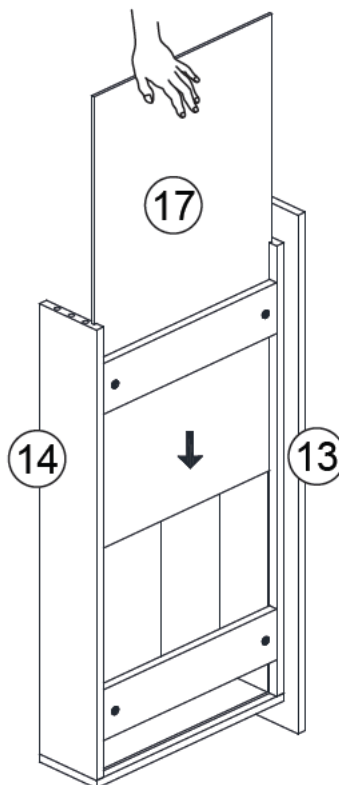
STEP 13

x4

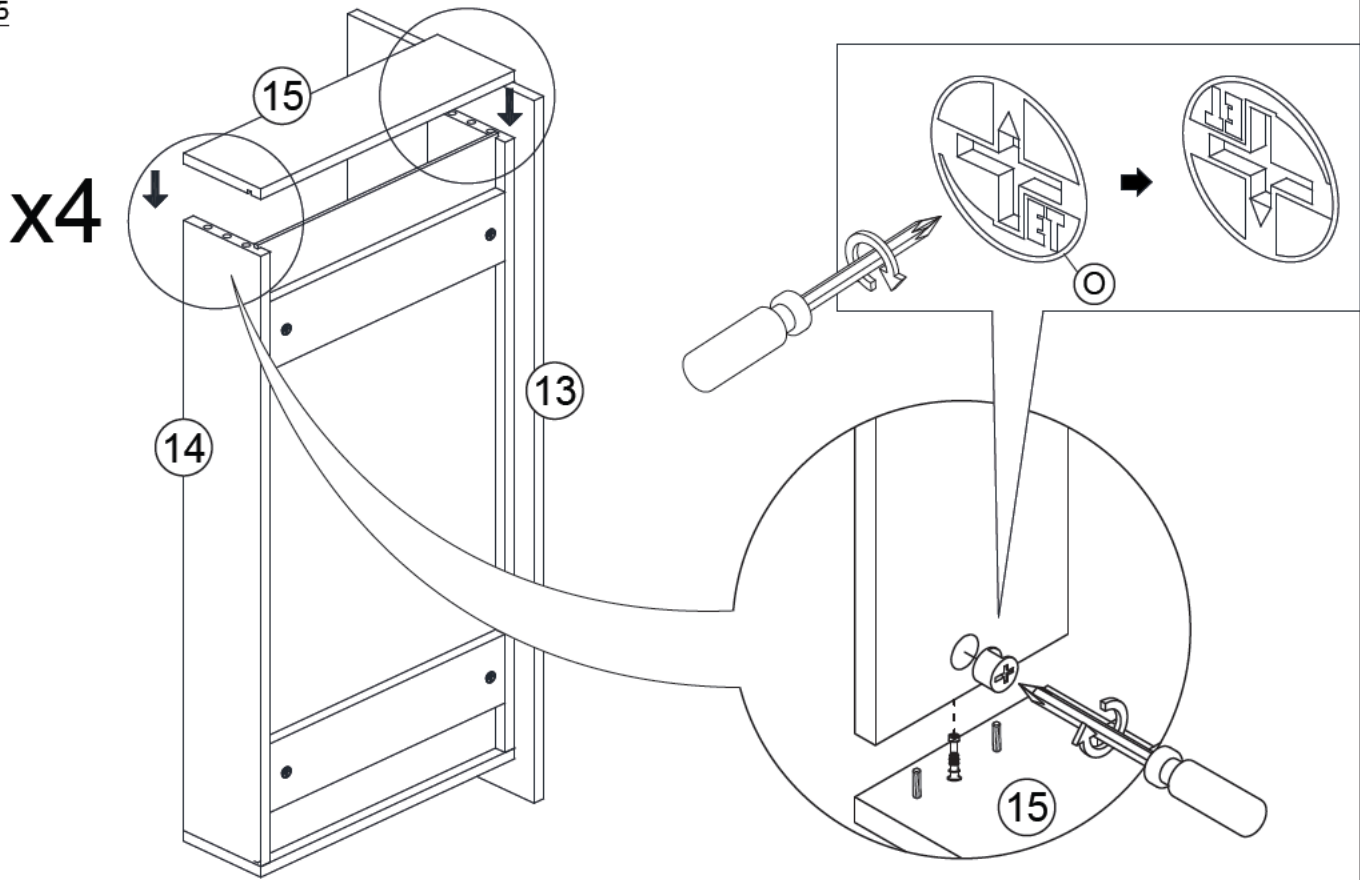


STEP 14

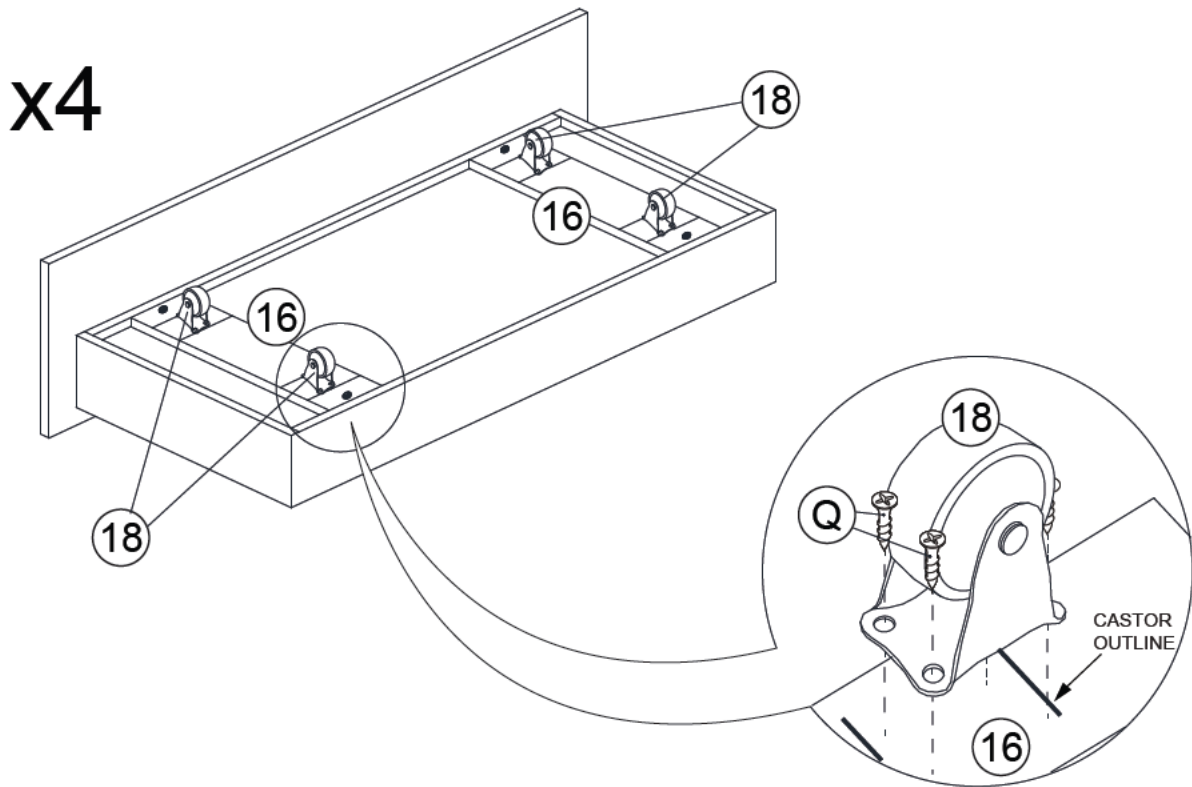
x4



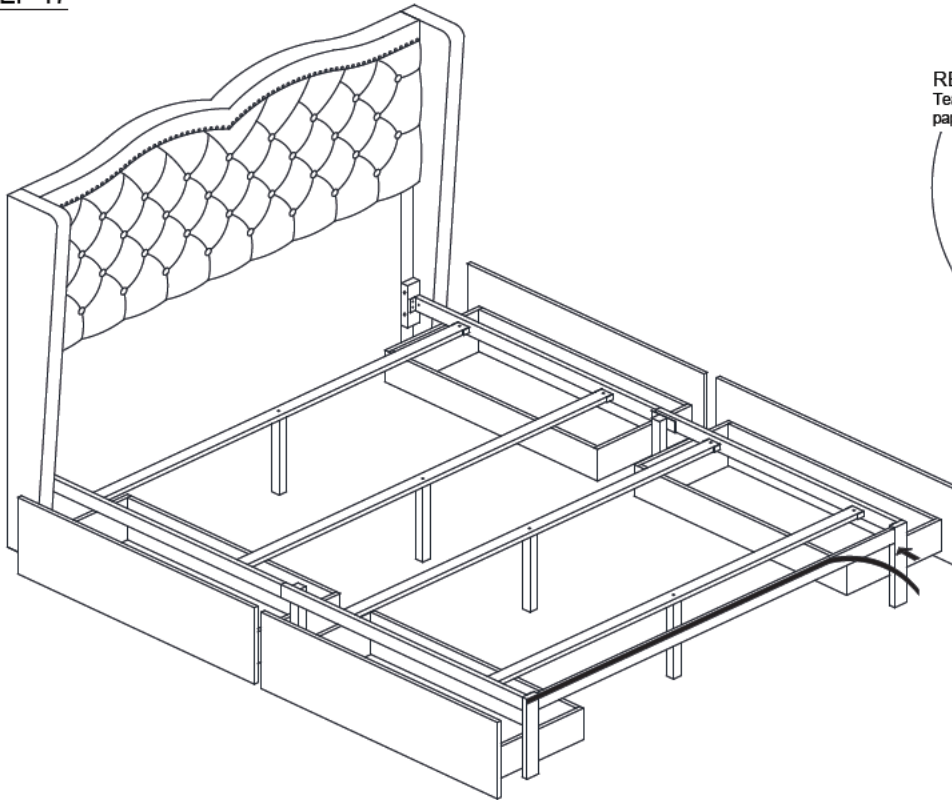
STEP 15



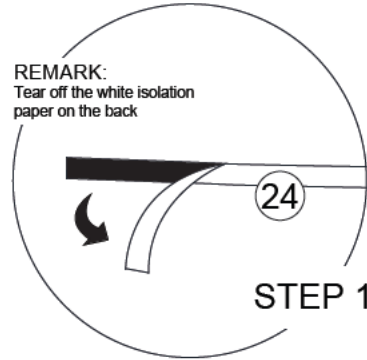
STEP 16



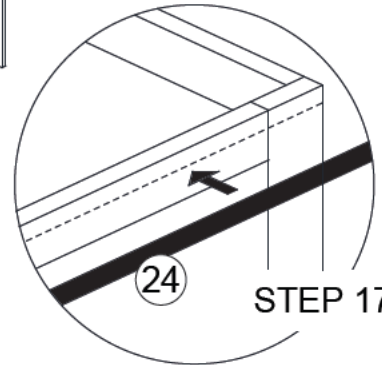
**STEP 17**



REMARK:  
Tear off the white isolation  
paper on the back

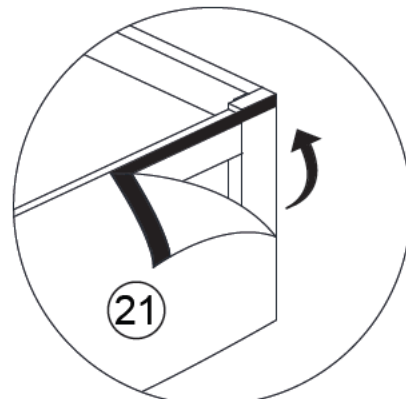
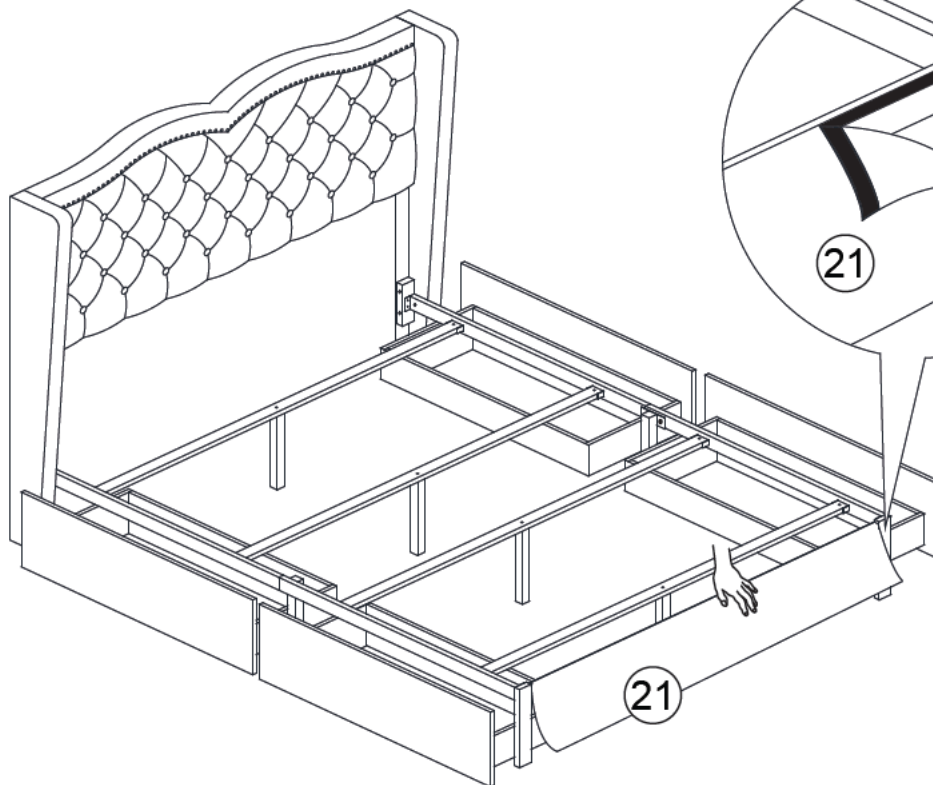


**STEP 17.1**



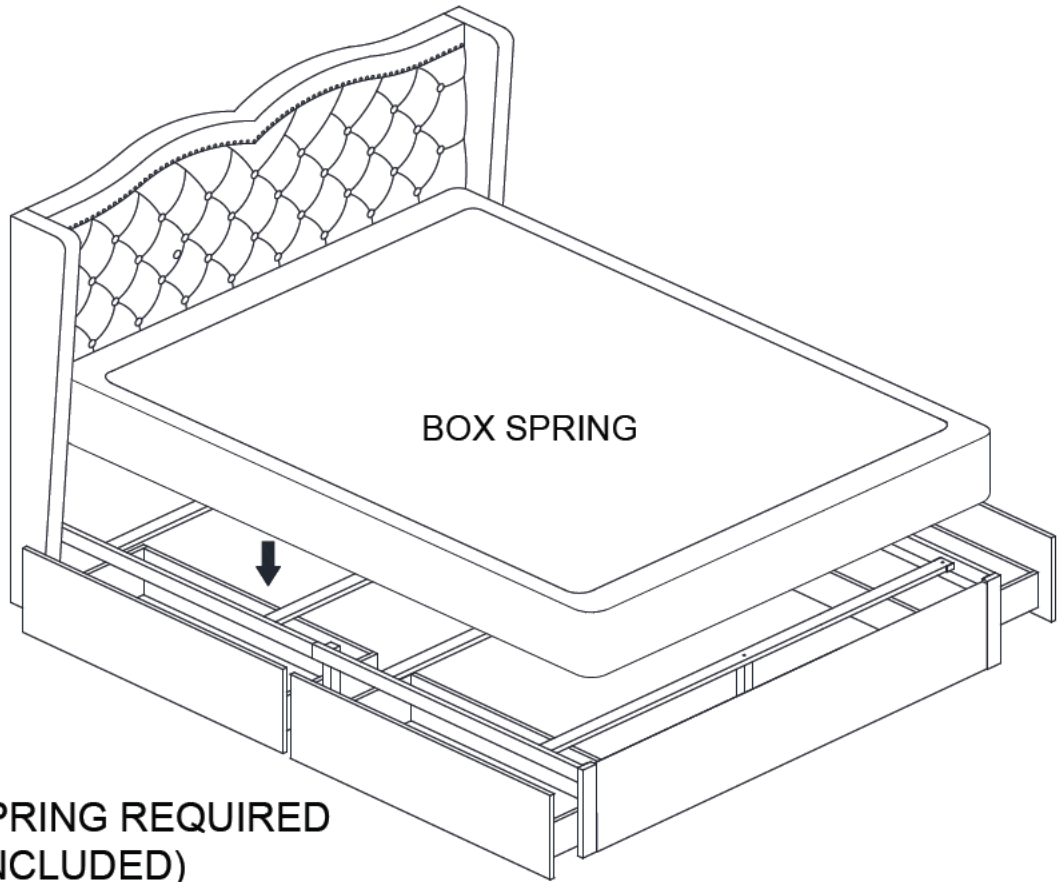
**STEP 17.2**

**STEP 18**



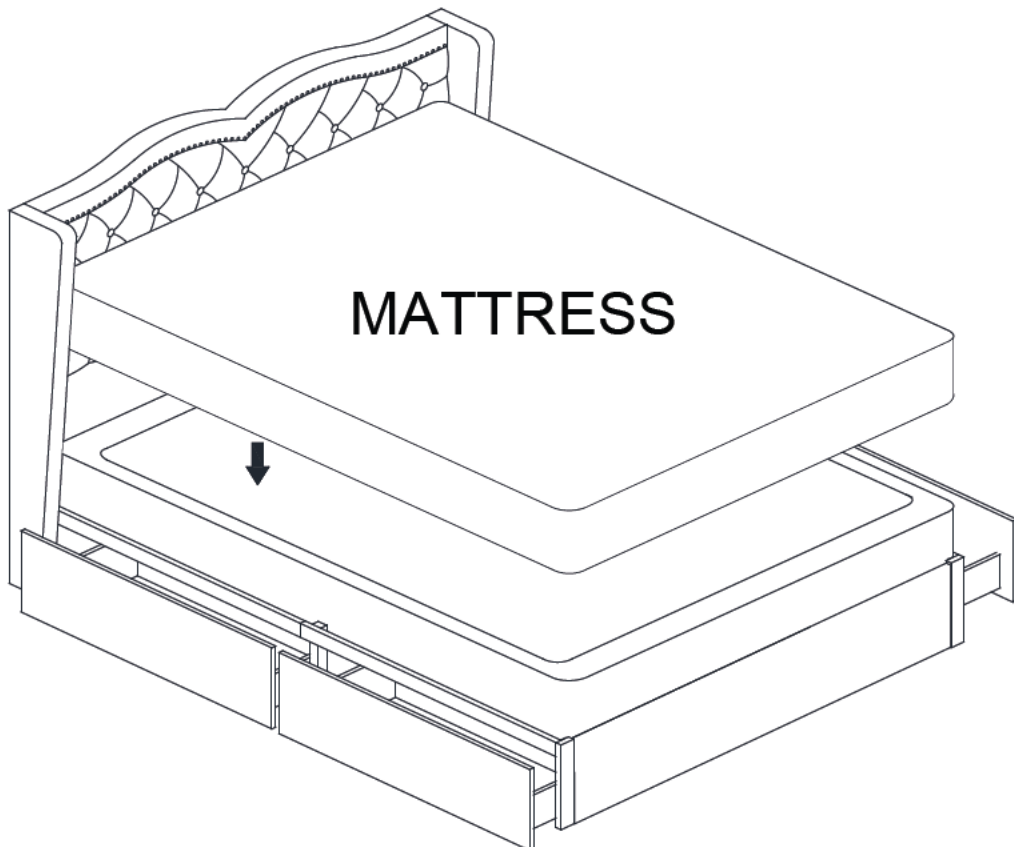
**21**

**STEP 19**



**BOX SPRING REQUIRED  
(NOT INCLUDED)**

**STEP 20**



**MATTRESS NOT INCLUDED**

**ASSEMBLY COMPLETED**