

NOTICE

- * Please make sure that you have all parts indicated and they are in good condition before you begin assembly of this item. Refer to part list and hardware list below for guidance.
- * This item should be assembled on a soft surface to prevent scratching the finish during assembly.
- * This item may require periodic tightening.

PREPARATION




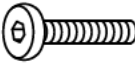









- * Before beginning assembly of product, make sure all parts are present. Compare parts with part contents list and hardware contents list.
- * If any part is missing or damaged, do not attempt to assemble the product.
- * Estimated Assembly Time: 30 minutes.
- * Tools Required for Assembly (included): Allen Key

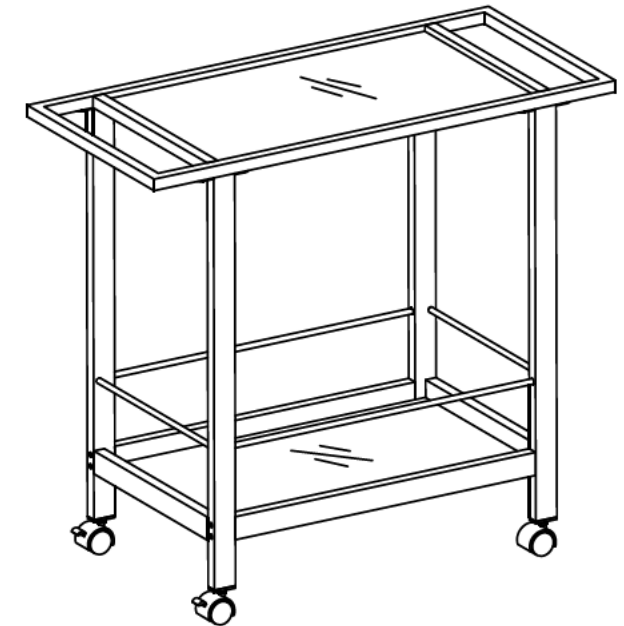
CARE AND MAINTENANCE

Dust with a soft, dry cloth. Do not use abrasive cleaner. To clean mirror, spray a small amount of glass cleaner onto a lint-free cloth and wipe mirror clean.

Product Dimension: 34.5" x 15.75" x 31.25"H

Part List and Hardware List

| PIECE | DESCRIPTION | PICTURE | QUANTITY | PIECE | DESCRIPTION | PICTURE | QUANTITY |
|-------|-------------|---|----------|-------|---------------------------------|---|----------|
| A | Top Frame |  | 1X | HW3 | Hex Bolt 1/4" x 1.2mm x 12mm |  | 8X |
| B | Side Frame |  | 2X | HW4 | Hex Bolt 1/4" x 1.2mm x 64mm |  | 8X |
| C | Cross Tube |  | 2X | HW5 | Rubber Mat |  | 12X |
| D | Cross Bar |  | 2X | HW6 | Nut Plug |  | 4X |
| E | Glass |  | 2X | HW7 | Caster |  | 2X |
| HW1 | Allen Key |  | 1X | HW8 | Caster with Brake |  | 2X |
| HW2 | Wrench |  | 1X | | | | |

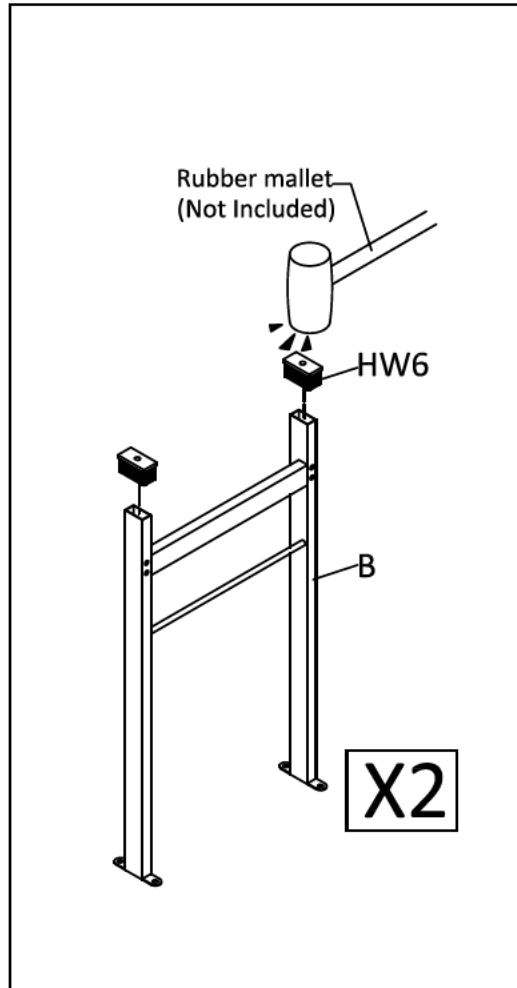


⚠ WARNING ⚠

Weight Capacity - 22.05 LBS per shelf
Warning : Do not stand on Cart.
Warning : Do not over torque bolts.

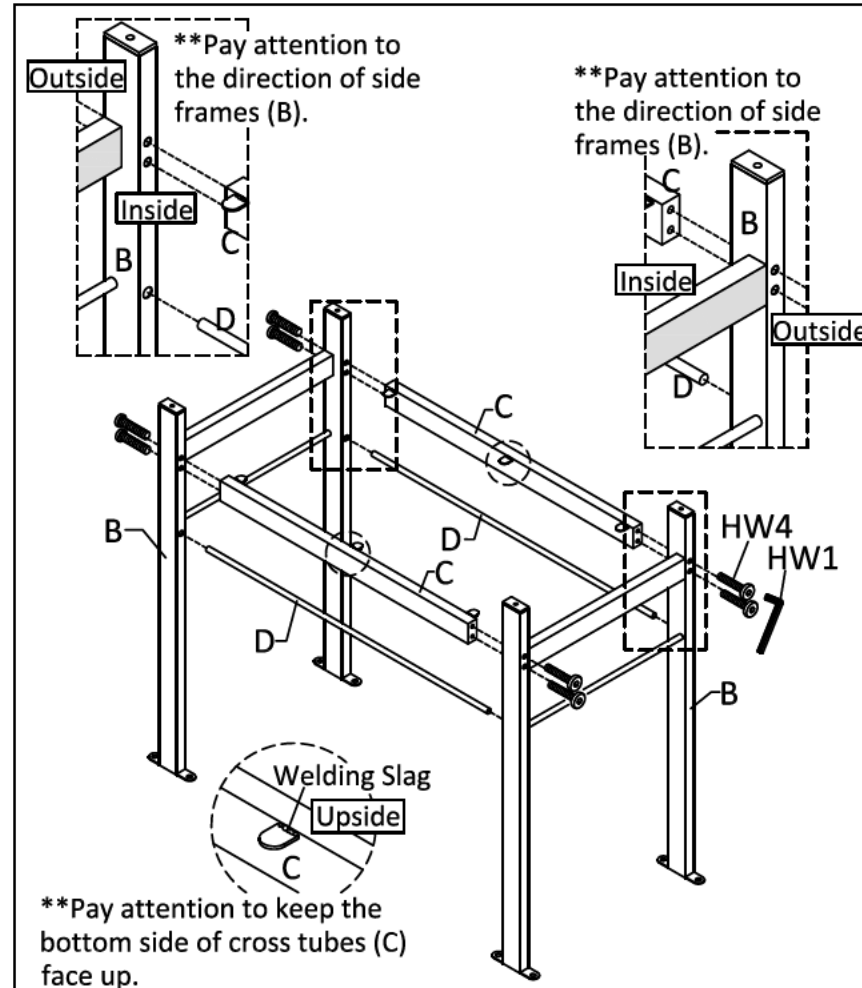
PREPARATION

- * Before beginning assembly of product, make sure all parts are present. Compare parts with part contents list and hardware contents list.
- * If any part is missing or damaged, do not attempt to assemble the product.
- * Estimated Assembly Time: 30 minutes.
- * Tools Required for Assembly (included): Allen Key



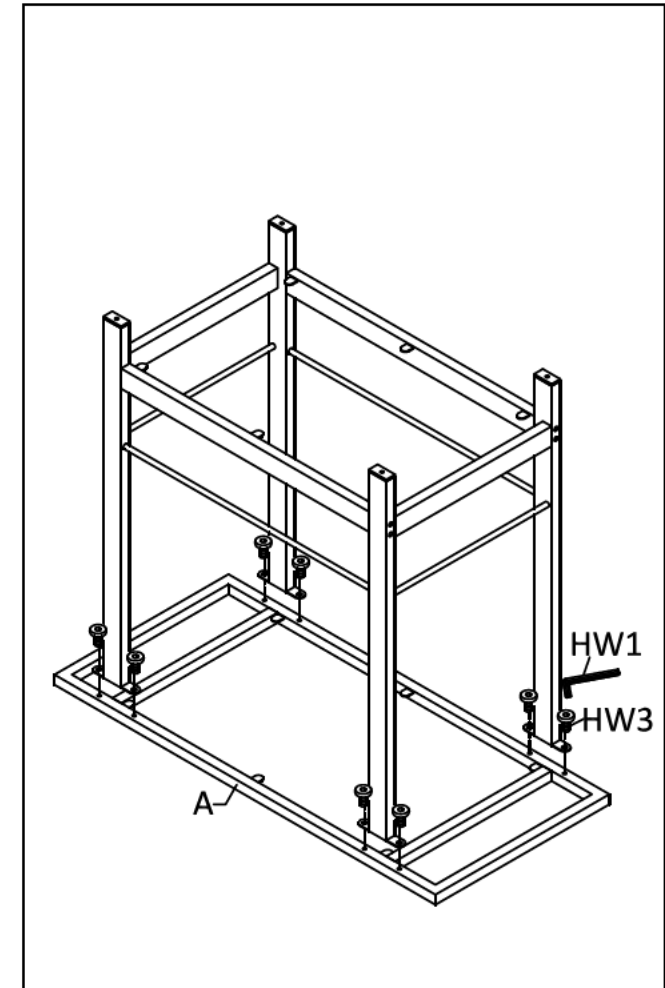
STEP1 :

Insert the nut plugs (HW6) into the end of side frames (B) by using rubber mallet as shown in drawing.



STEP2 :

Attach cross tubes (C) to side frames (B) with bolts (HW4) by using the Allen key (HW1). Before fully tightening the bolts, insert cross bars (D) into the holes on side frames (B) as shown in drawing.

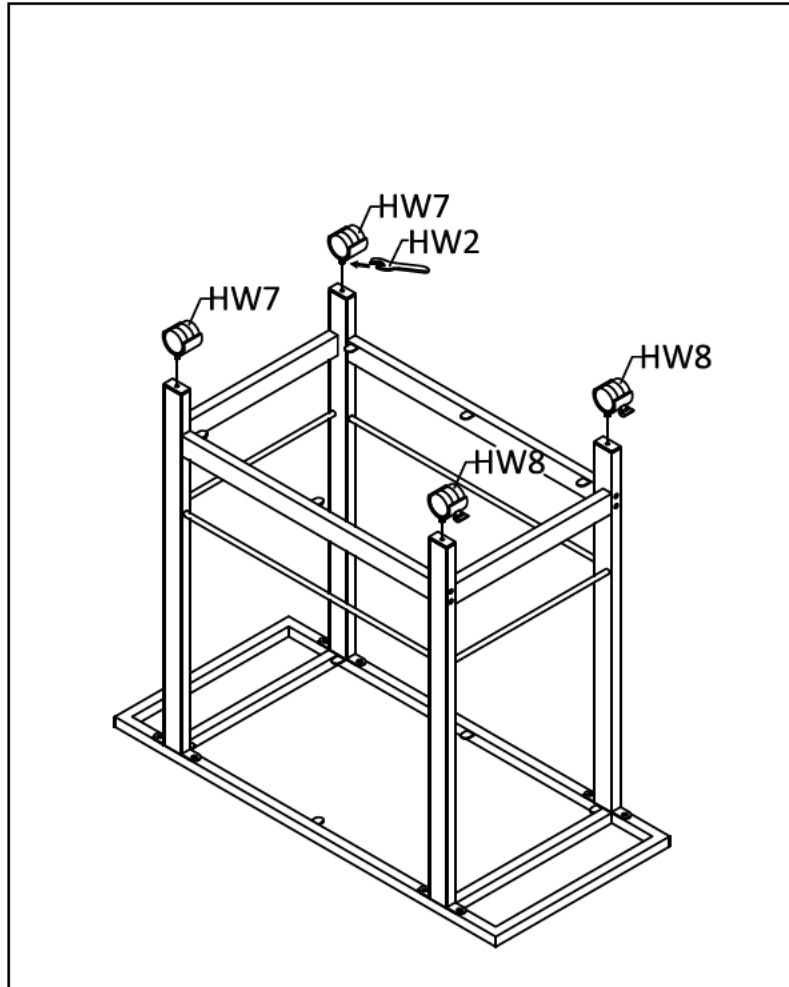


STEP3 :

Attach assembled parts (B,C,D) to top frame (A) with bolts (HW3) by using Allen key (HW1) as shown in drawing.

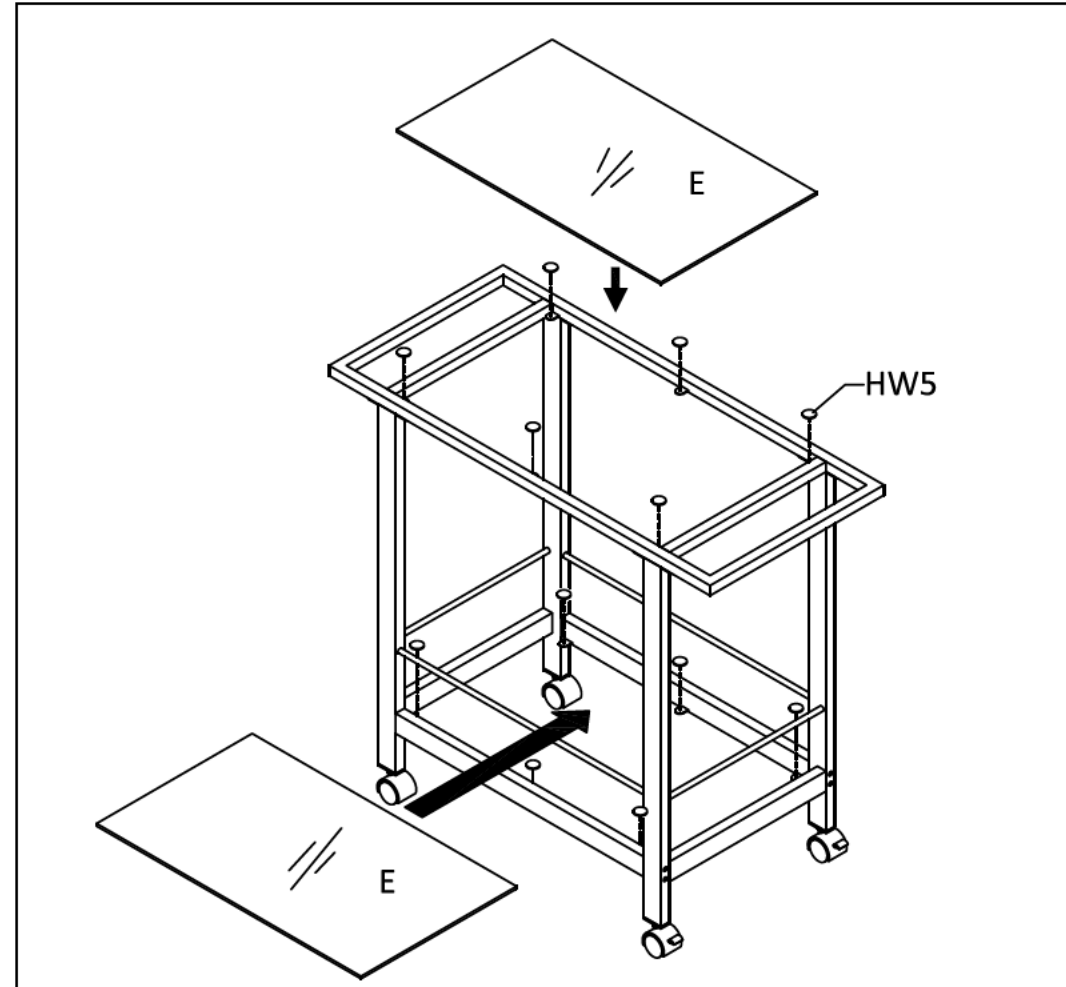
PREPARATION

- * Before beginning assembly of product, make sure all parts are present. Compare parts with part contents list and hardware contents list.
- * If any part is missing or damaged, do not attempt to assemble the product.
- * Estimated Assembly Time: 30 minutes.
- * Tools Required for Assembly (included): Allen Key



STEP4 :

Screw casters (HW7 & HW8) onto the nut plugs at the bottom of the side frames (B) by using the open end of the wrench (HW2) as shown in drawing.



STEP5 :

Stick rubber mats (HW5) onto the top frame (A) and cross tubes (C) as shown in drawing, then, place glass (E) onto the assembled cart.