

ASSEMBLY INSTRUCTIONS

ASSEMBLY REQUIREMENTS	1 Hour Assembly Time (Approximate)	2 -Person Assembly 	Tools Required (Not Provided): Phillips Screwdriver  Flat Head Screwdriver 
-----------------------	--	---	---

Thank you for purchasing our product!

Please refer and use this assembly instruction to assemble the product.
Contact our customer service department in case there are any missing or damage parts or hardware.
Replacement parts are normally shipped within 2 or 3 days.

PRODUCTS PURCHASED THROUGH OUR AUTHORIZED VENDORS ONLY ARE ELIGIBLE FOR REPLACEMENT PARTS.

We appreciate your business!

THIS PRODUCT IS FOR INDOOR AND HOUSEHOLD USE ONLY - NOT FOR COMMERCIAL USE.

ASSEMBLY PREPARATION

1. Remove all packaging materials, staples and packing straps from the carton.
2. Refer to Parts List and Hardware List and ensure they are correct before assembly.
Contact customer service for missing parts.
3. Place all wooden parts on a clean, flat and soft surface (e.g. carpet or rug) to prevent parts from getting scratched.

SAFETY PRECAUTION

1. KEEP ALL HARDWARE PARTS OUT OF REACH OF CHILDREN.
2. DISPOSE PLASTIC PACKAGING MATERIAL IMMEDIATELY TO AVOID ANY RISK OF SUFFOCATION TO CHILDREN AND ANIMALS.

TIPS FOR ASSEMBLY

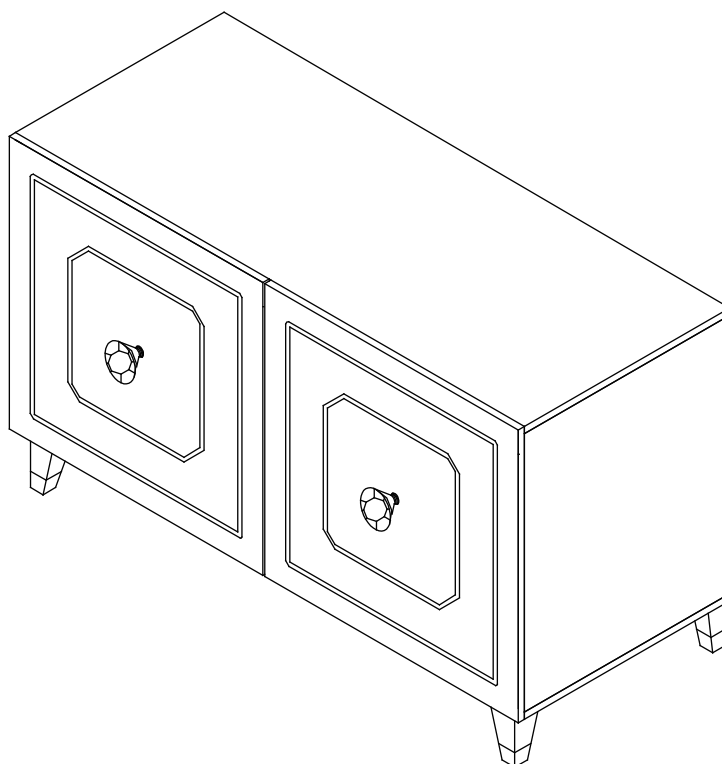
1. Allow ample room for assembly and in close proximity to where product will be placed.
2. Assemble the product on a surface that does not scratch or damage the exterior gloss and finish of the furniture.
3. Identify all of the parts, hardware and quantities required for each step.
4. During assembly, do not over-tighten any fittings as this may cause damage.
5. DO NOT USE POWER TOOLS TO ASSEMBLE THIS PRODUCT.
6. Always place the product on a flat, level surface.
7. Do not sit or stand on the partially assembled product; only use the product for which it is intended.

CARE AND MAINTENANCE



















- Use a slightly damp cloth to clean the product. Do not use bleach or abrasive cleaning material.
- Check all the fittings periodically and re-tighten as necessary. Do not use the product if any of the parts is damaged or broken.
- Never allow any kind of liquid to remain on your furniture. Absorption can cause wood to warp or delaminate.
- Do not place hot items (e.g. hot drinks) directly onto the wood surface.
- Do not drag and/or pull the furniture.

ASSEMBLY INSTRUCTIONS

BUFFET/MEDIA CABINET



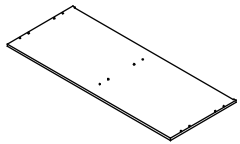
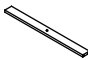
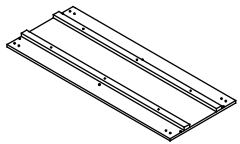
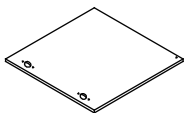
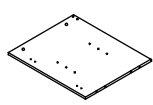
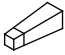
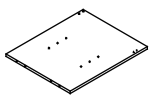
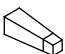
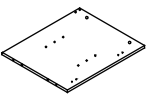
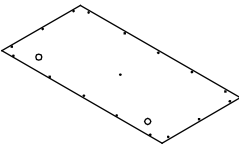
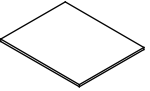
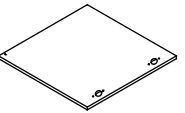
Hardware List

ITEM	DESCRIPTION	PART	QTY	ITEM	DESCRIPTION	PART	QTY
A	Cam-Bolt	 6*35mm	6 pcs	J	Shelf Pin		8 pcs
B	Cam-Lock	 15*10mm	6 pcs	K	Hinge		4 pcs
C	Wood Dowel	 8*30mm	20 pcs	L	Allen Wrench		1 pc
D	Screw	 3.5*14mm	24 pcs	M	Screw	 3.5*40mm	2 pcs
E	Screw	 7*40mm	6 pcs	N	Plastic Anchor		2 pcs
F	Knob Bolt	 4*18mm	2 pcs	O	Magnetic Catch		2 pcs
G	Knob		2 pcs	P	Magnetic Bar		2 pcs
H	Bolt	 6*30mm	8 pcs	Q	Screw	 3*14mm	4 pcs
I	Screw	 2.5*10mm	17 pcs	R	Screw	 3*12mm	2 pcs

ASSEMBLY INSTRUCTIONS

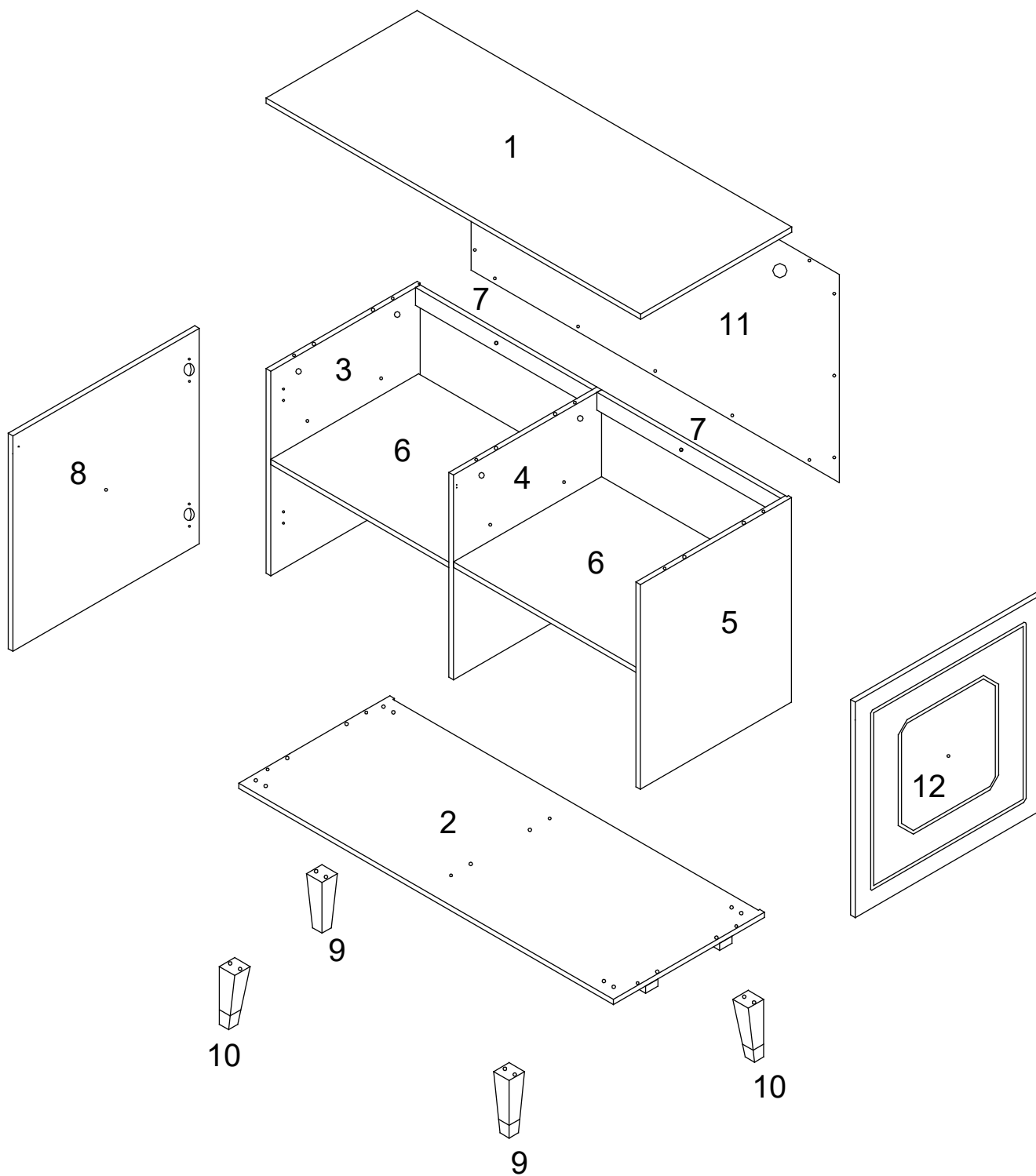
BUFFET/MEDIA CABINET

Parts List

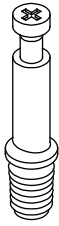
ITEM	DESCRIPTION	PART	QTY	ITEM	DESCRIPTION	PART	QTY
1	Top Panel		1 pc	7	Connect Bar		2 pcs
2	Bottom Panel		1 pc	8	Left Door		1 pc
3	Left Panel		1 pc	9	Right Front and Left Back Leg		2 pcs
4	Center Panel		1 pc	10	Left Front and Right Back Leg		2 pcs
5	Right Panel		1 pc	11	Back Panel		1 pc
6	Adjustable Shelf		2 pcs	12	Right Door		1 pc

ASSEMBLY INSTRUCTIONS

ASSEMBLY OVERVIEW



Instructions For Fastening CAM-BOLT AND CAM-LOCK

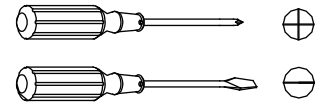


CAM-BOLT

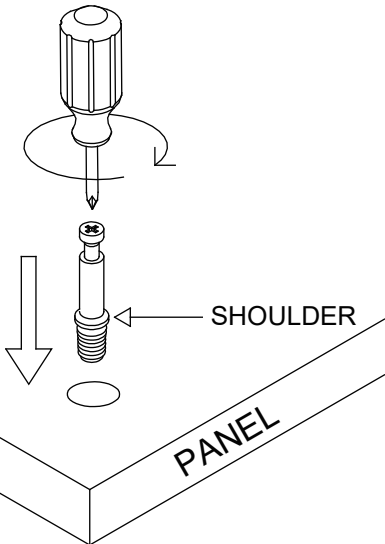


CAM-LOCK

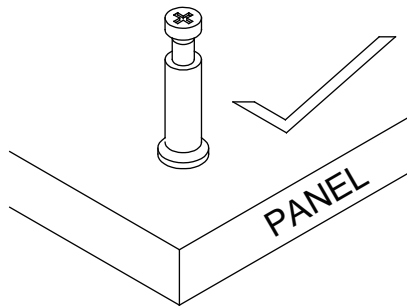
Tools Required



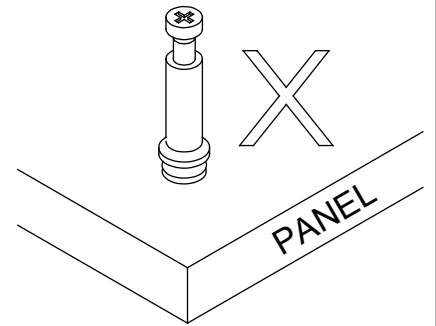
INSERTING AND TIGHTENING CAM-BOLT



Place Cam-bolt on pre-drilled hole and screw in vertically.



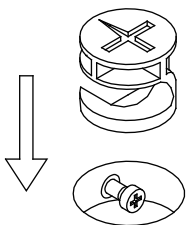
Shoulder is flushed (on the same level) with the panel.



Shoulder is above the panel.

Place Cam-bolt to the designated pre-drilled holes on the panel. Use a Phillips Screwdriver to tighten Cam-bolt vertically until shoulder is flushed (on the same level) with panel. Do not over-tighten or under-tighten.

INSERTING CAM-LOCK



Insert Cam-lock with arrow align to Cam-bolt head.



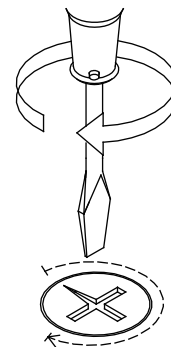
CORRECT



WRONG

Align the arrow on the Cam-lock to the Cam-bolt head and insert the Cam-lock. Ensure Cam-lock is fully inserted.

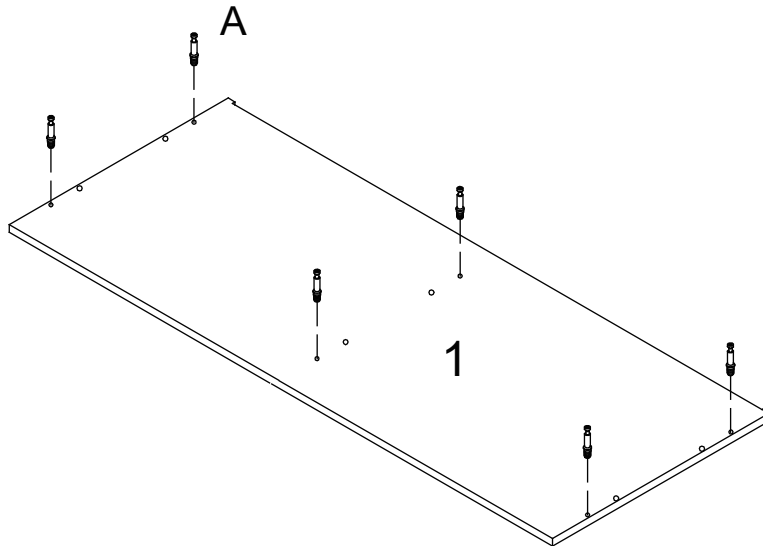
TIGHTENING CAM-LOCK



Use a Flat-head Screwdriver to turn Cam-lock clockwise so it locks onto the head of the Cam-bolt. Turn until it is snug (about 3/4ths of a turn) -- over-tightening could damage Cam-lock or/and Cam-bolt.



STEP 1

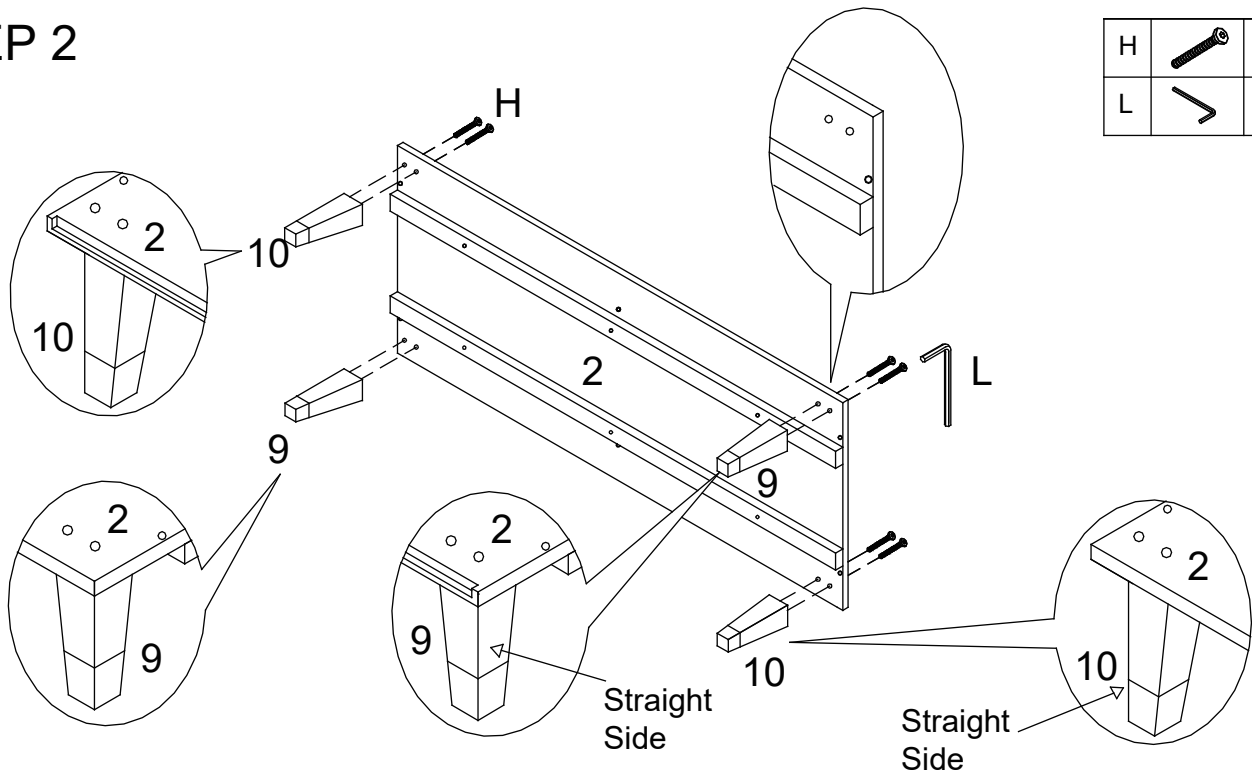
A		6 pcs
---	--	-------



- Lay Top Panel (1) bottom-side on a material that does not scratch or damage the part.
- Screw in Cam-bolt (A) into the designated holes on (1). Refer to Page 5 for instructions on inserting and tightening Cam-bolt.

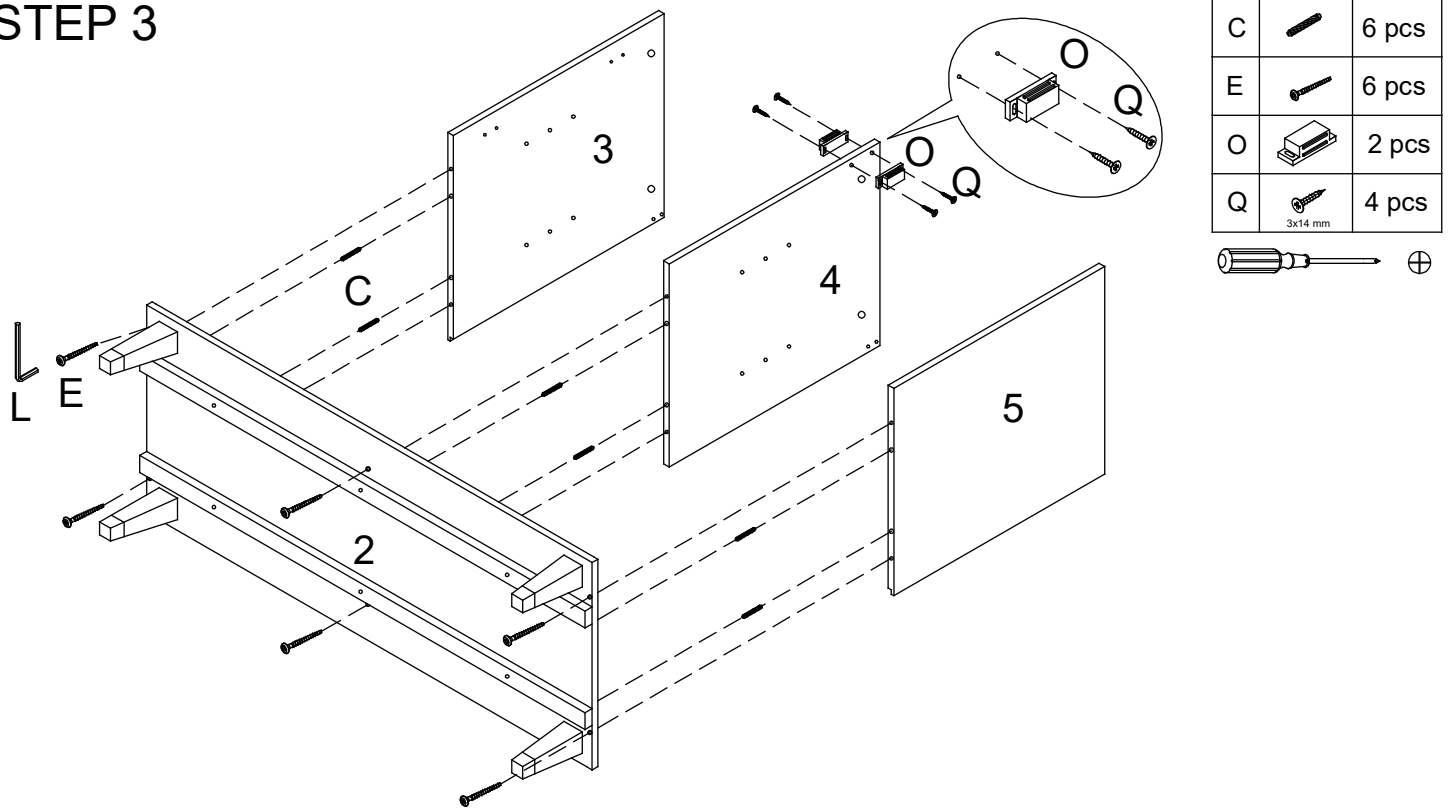
STEP 2

H		8 pcs
L		1 pc



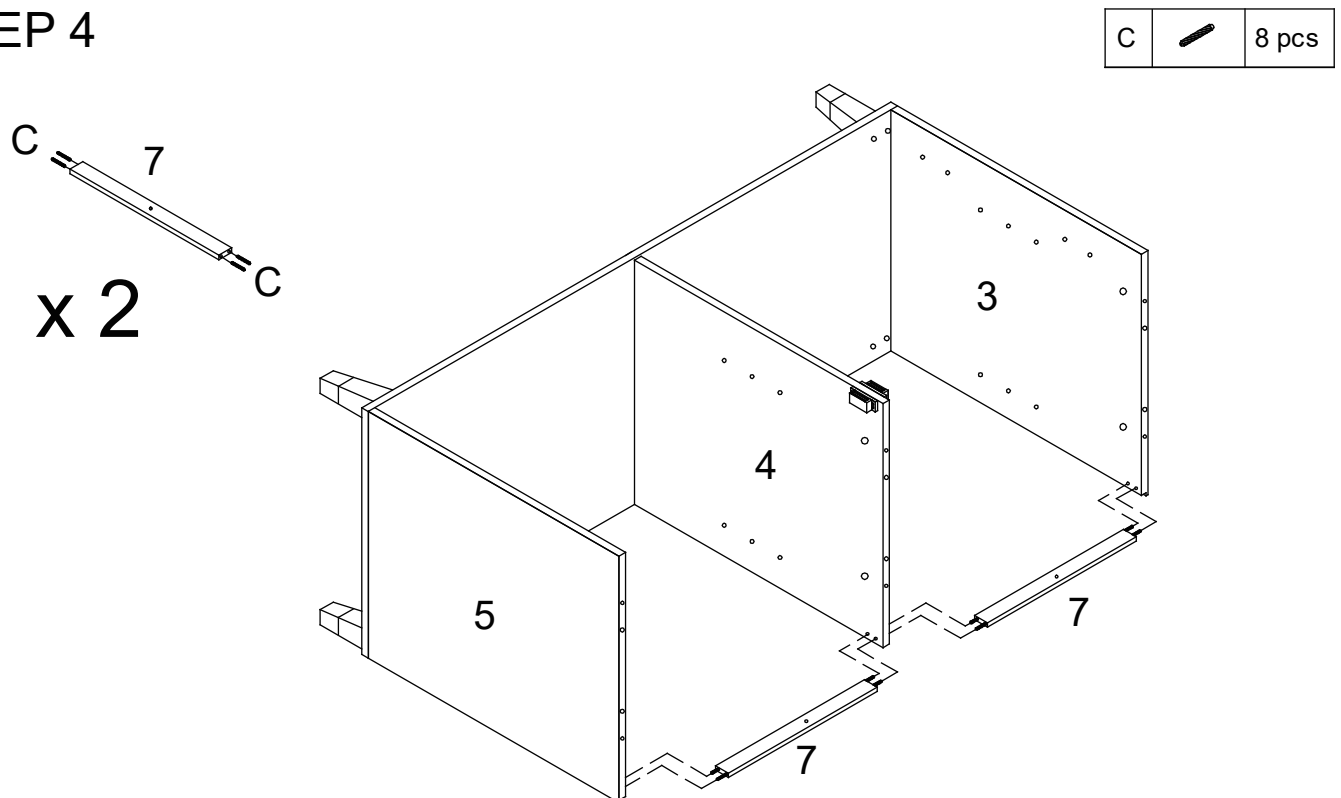
- Set Bottom Panel (2) vertically as shown. Position Leg (9 & 10) as shown - note the orientation of each leg with respect to the straight side and slanted side. **Important: the vertical straight side of each leg faces outward.**
- Align the screw hole on each leg to the screw hole on (2) and fasten (9 & 10) to (2) using Bolt (H). Tighten (H) using Allen Wrench (L).

STEP 3



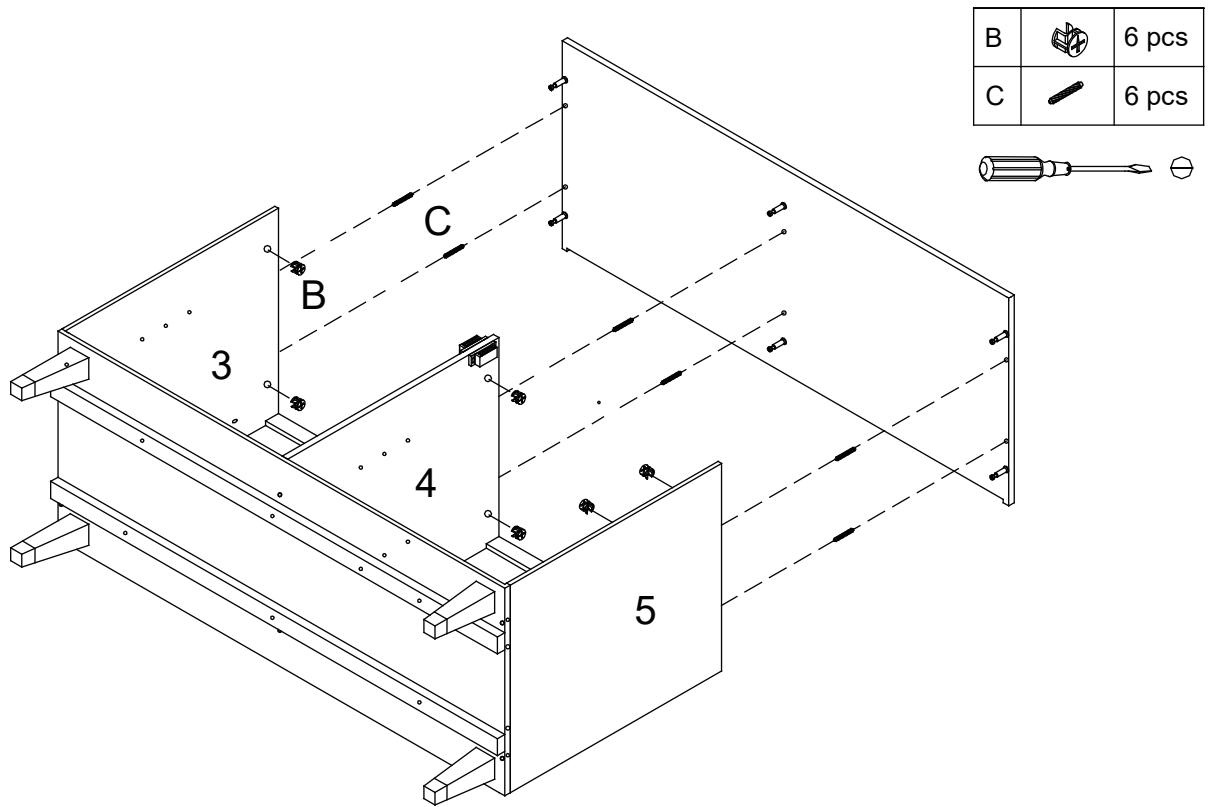
- Insert Wood Dowel (C) into designated hole on bottom edge of Left Panel (3), Right Panel (5) and Center Panel (4).
- Attach (3, 4 & 5) to Bottom Panel (2) via Wood Dowel and fasten with Screw (E). Use Allen Wrench (L) to drive and tighten (E). Do not tighten (3 & 5) completely at this time. using Allen Wrench (L).
- Locate pilot holes for Magnetic Catch (O) on Center Panel (4) and use Screw (Q) to fasten (O).

STEP 4



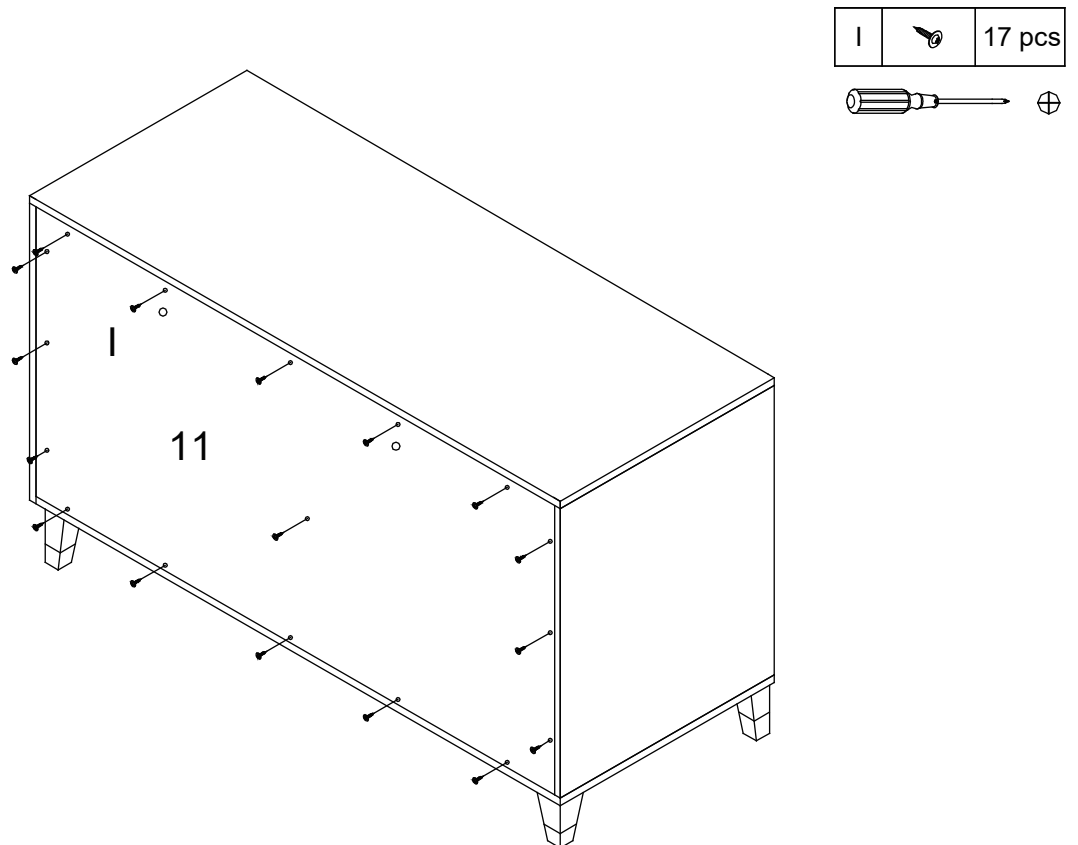
- Insert Wood Dowel (C) into the designated hole at each end of Connect Bar (7).
- Attach Connect Bar (7) to Side Panel and Center Panel (3, 5 & 4) as shown.
- Tighten Screw (E) on bottom of Bottom Panel (2) completely to fasten (3 & 5) to Bottom Panel (2) fully.

STEP 5



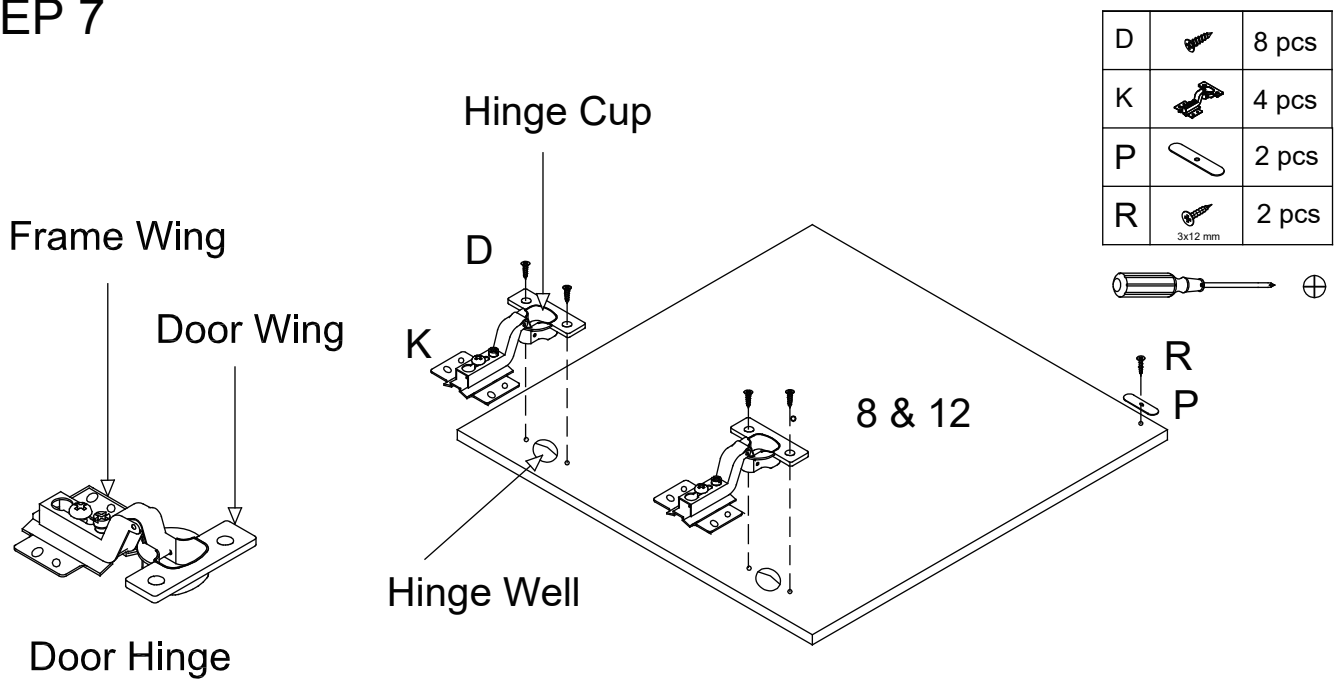
- Insert Wood Dowel (C) into the inner 2 center holes at the top edge of Left Panel, Divide Panel and Right Panel (3, 4 & 5).
- Attach Top Panel (1) to (3, 4 & 5) via Cam-bolts and Wood dowels on the respective parts.
- Insert Cam-lock (B) into the designated holes on (3, 4 & 5) then turn clockwise to lock onto Cam-bolt.
Refer to Page 5 for instructions on inserting and tightening Cam-lock.

STEP 6



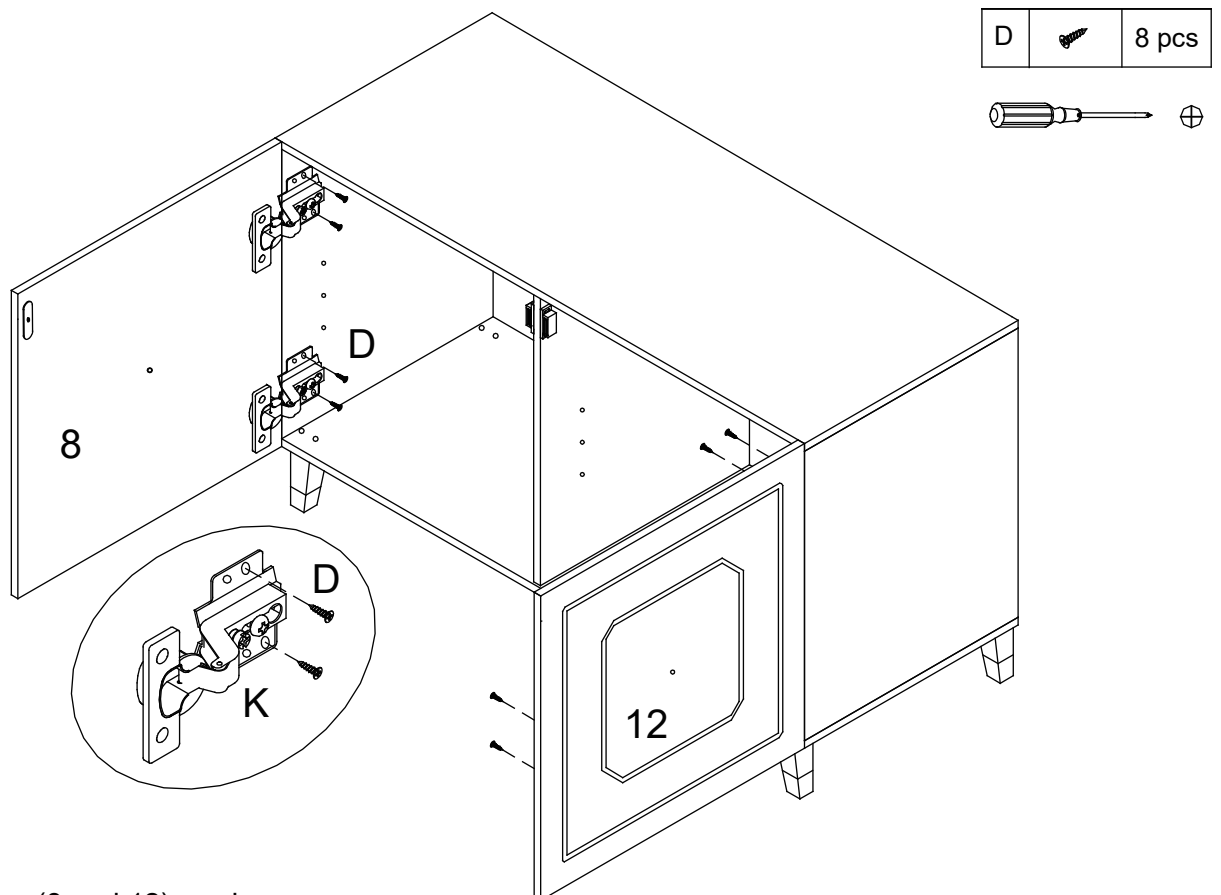
Fit Back Panel (11) squarely between the Left, Right, Top and Bottom Panels and fasten with Screw (P).

STEP 7



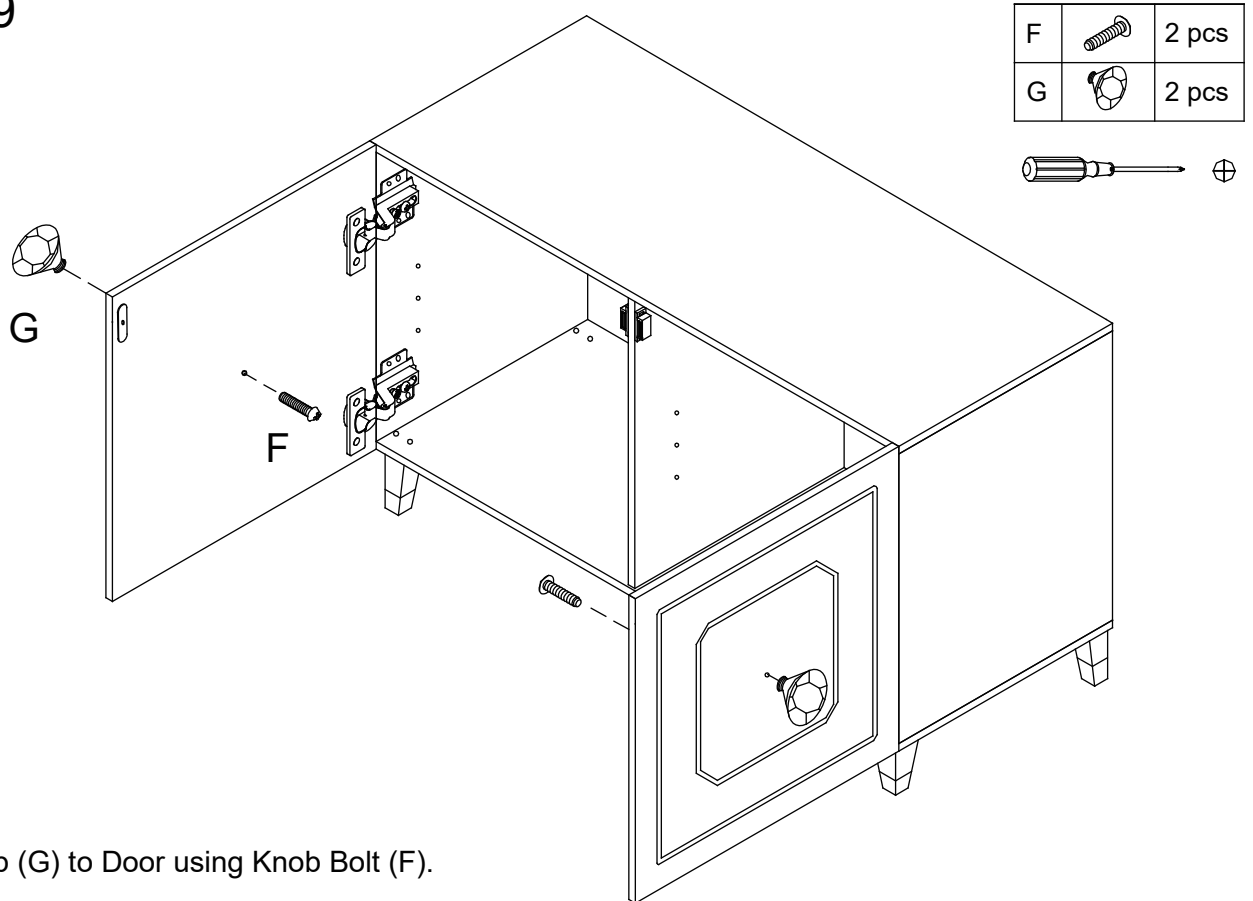
- Place the interior of Left Side Door (8) facing up as shown on a material that does not scratch or damage the front surface.
- Place Hinge (K) to fit the cup on the Door Wing into the hinge well on (8) and use Screw (D) to fasten Door Wing.
- Attach Magnetic Bar (P) to Door (8) and fasten with Screw (R).
- Repeat Step a) to c) for Right Door (12).

STEP 8



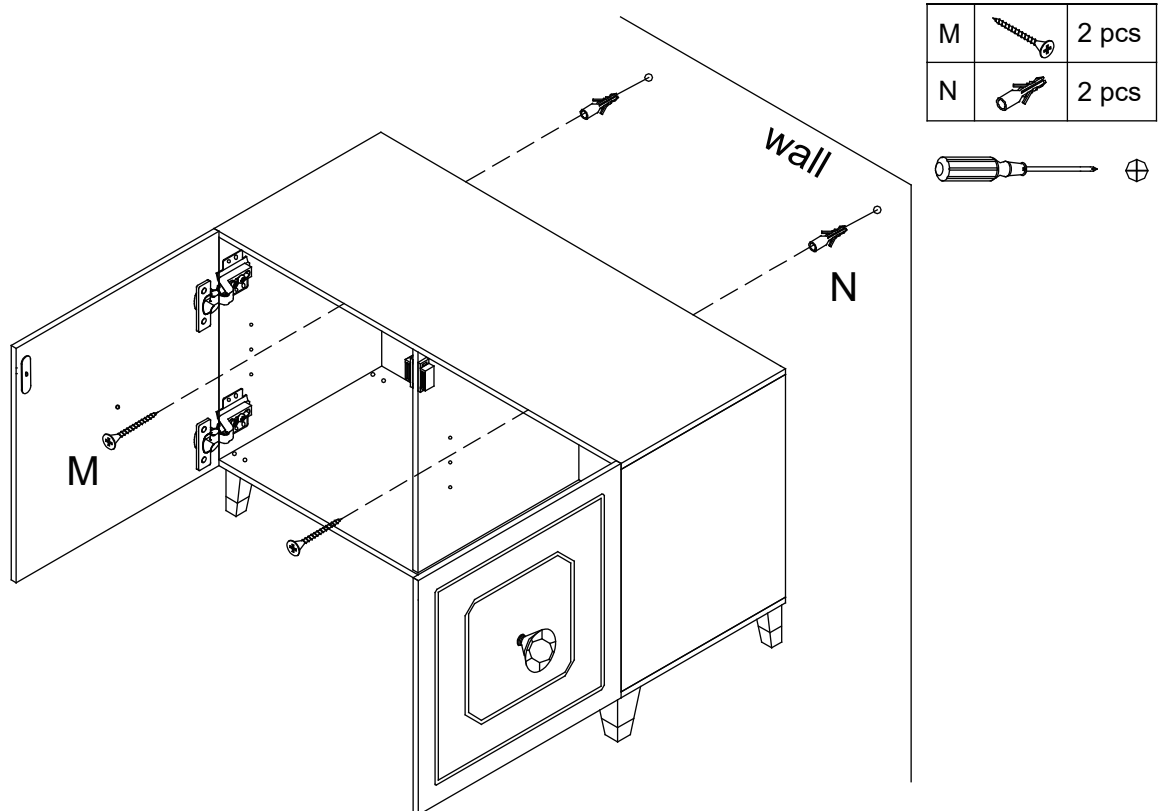
- Position Door (8 and 12) as shown.
- Align the screw holes on the Frame Wing of the hinge to the pilot holes on Side Panel and fasten with Screw (D).

STEP 9



Attach Knob (G) to Door using Knob Bolt (F).

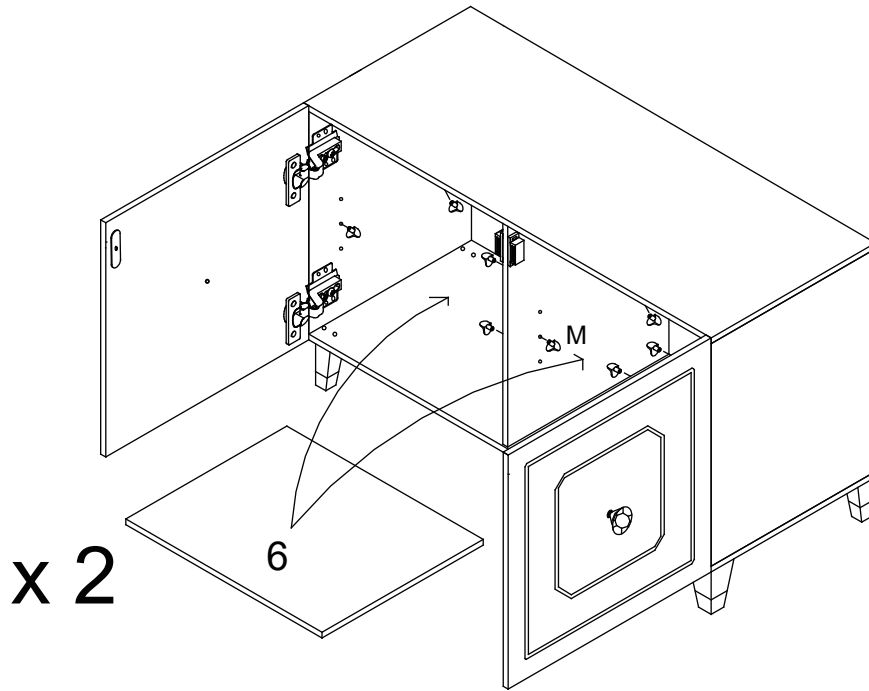
STEP 10



- Drill two holes in the dry wall that are aligned to the two holes on the Connect Bar. The diameter of the hole on the dry wall needs to fit the diameter of Plastic Anchor (N).
- Press the Plastic Anchor (N) into the drilled hole in dry wall. Ensure that the anchor fits securely in the wall.
- Drive Screw (M) through the screw hole on Connect Bar into Plastic Anchor to fasten the unit to the wall.

STEP 11


M		8 pcs
---	---	-------



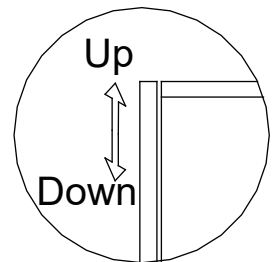
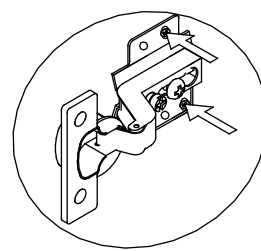
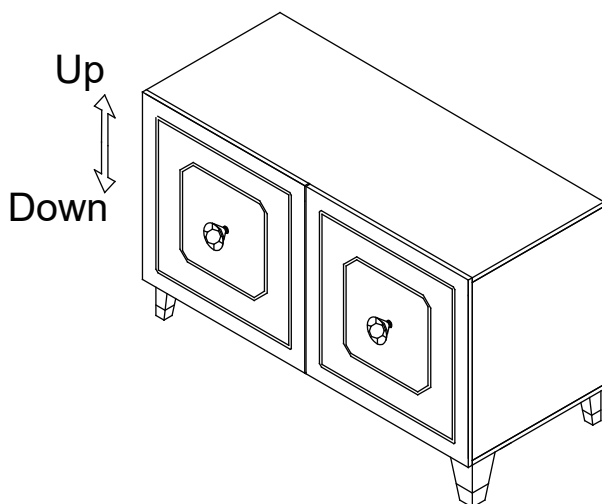
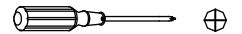
Insert Shelf Pin (M) into the designated holes on the same level at the desired height on Side Panel and Center Panel.

Place Shelf (6) by tilting it to fit between Side Panels and then level it to sit on Shelf Pin (L).

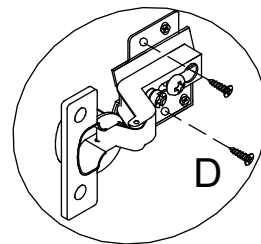
STEP 12A

D		8 pcs
---	---	-------

Door Adjustments - If necessary, adjust the doors to reduce gap between doors and also for a better fit.



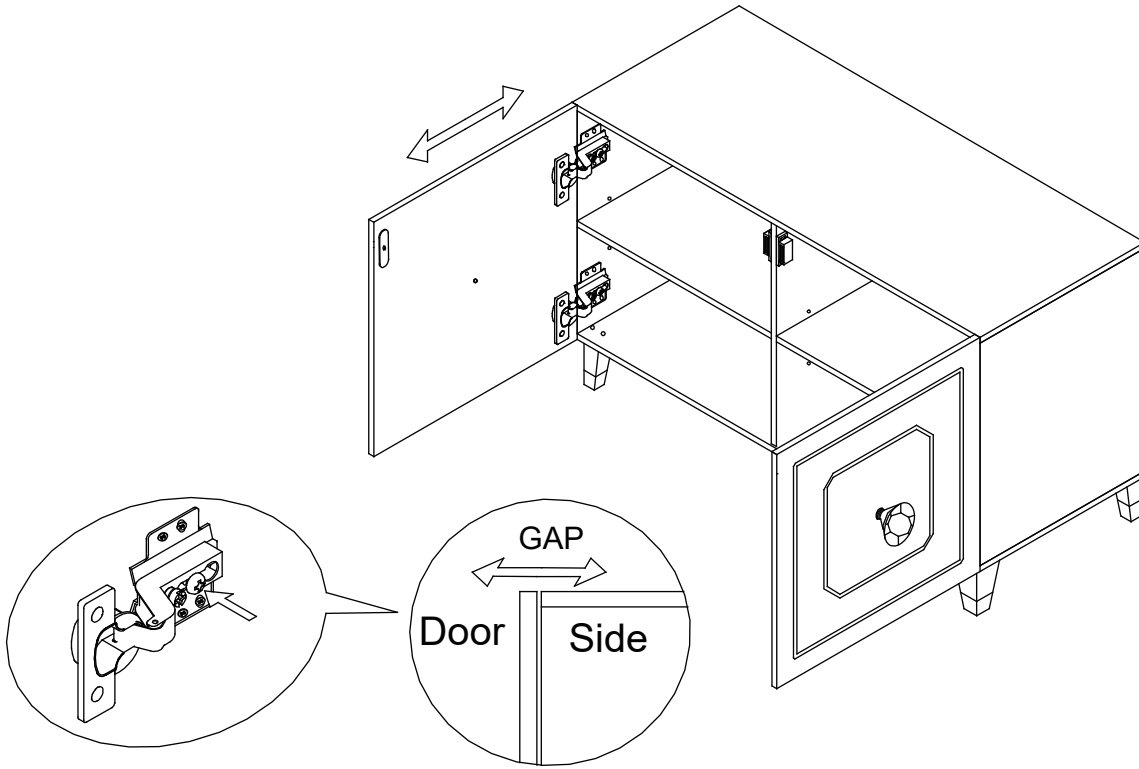
Loose the screws on Hinge, adjust the Door position (up and down). Tighten the back two screws when the door and top are level.



X 4

Tighten the front two Screws (D).

STEP 12B

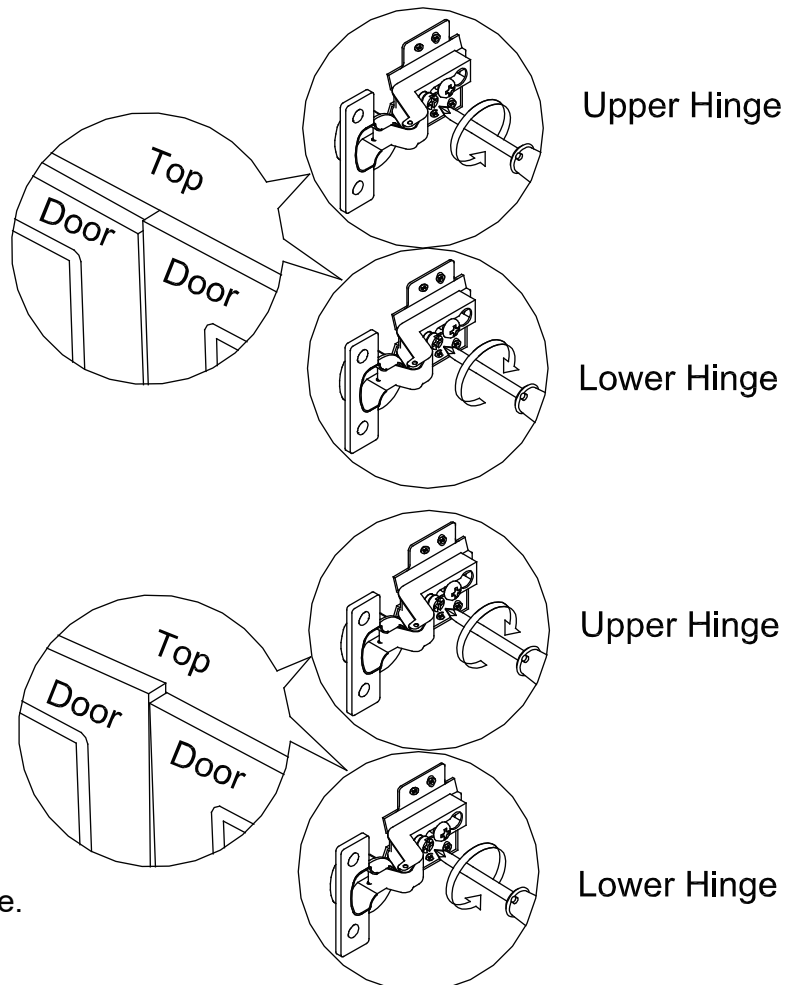
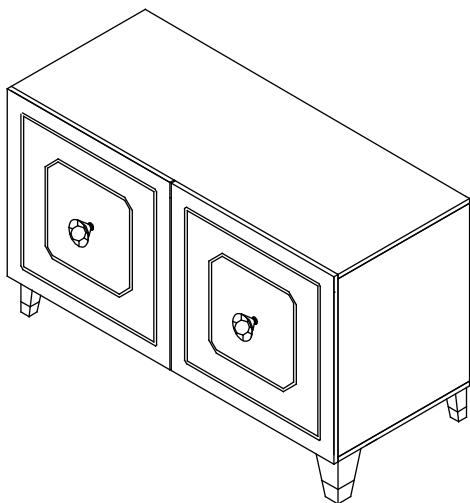


Loosen the middle screw of the Hinge and adjust the Door in and out to desired position, then tighten the screw to secure the hinge.

Note: If the door cannot stay close, re-loosen the middle screw and pull out the door to increase the gap between door and side panel.

STEP 12C

Adjust the nut at the centre of the hinge to fine tune the tilting angle of the door (left and right) to make the door on the same level.



The assembly of the cabinet is complete.