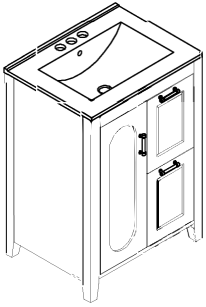


ASSEMBLY INSTRUCTIONS

Thank you for purchasing this quality Product. Be sure to check all packing material carefully for small parts, which may have come loose inside carton during shipment. Identify and count all parts and compare with the parts list below.












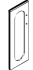




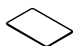

ASSEMBLY INSTRUCTION:

1. Remove hardware from box and sort by size.
2. Please check to see that all hardware and parts are present prior start of assembly.
3. Please follow attached instruction in the same sequence as numbered assure fast and easy assembly.

WARNING!

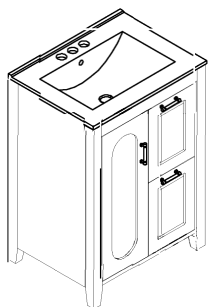
1. Don't attempt to repair or modify parts that are broken or defective. Please contact the store immediately.
2. This product is for home use only and not intended for commercial establishments.
3. Two persons are required for assembly.
4. Approximate assembly time 1/2 hours.
5. Component parts and fittings contained in the box. Please sort out all parts before you begin to assemble the item. This is to make sure you always use the correct part.
6. It is **STRONGLY RECOMMENDED** that you **ANCHOR** this product to your wall. Tipping furniture can cause serious injuries and death. To prevent your furniture from tipping forward it is strongly recommended that you securely attach this product to a wall or other solid surface, using the anchor straps provided appropriate fittings.

No.	Component	Q'ty
1	 Side Panel-Left	1
2	 Side Panel-Right	1
3	 Middle Panel #1	1
4	 Front Rail - Above	1
5	 Back Panel - Up	1
6	 Back Panel - Low	1
7	 Back Rail - Middle	1
8	 Bottom Panel	1
9	 Shelf	1

No.	Component	Q'ty
10	 Door - Left	1
11	 Front Drawer Panel (R)	2
12	 Back Drawer Panel (R)	2
13	 Sides Drawer Panel(L)	2
14	 Sides Drawer Pane(R)	2
15	 Bottom Drawer Panel (R)	2
16	 Sink	1

ASSEMBLY INSTRUCTIONS

Thank you for purchasing this quality Product. Be sure to check all packing material carefully for small parts, which may have come loose inside carton during shipment. Identify and count all parts and compare with the parts list below.




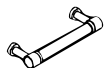








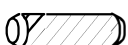
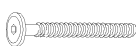




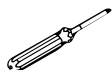
ASSEMBLY INSTRUCTION:

1. Remove hardware from box and sort by size.
2. Please check to see that all hardware and parts are present prior start of assembly.
3. Please follow attached instruction in the same sequence as numbered assure fast and easy assembly.

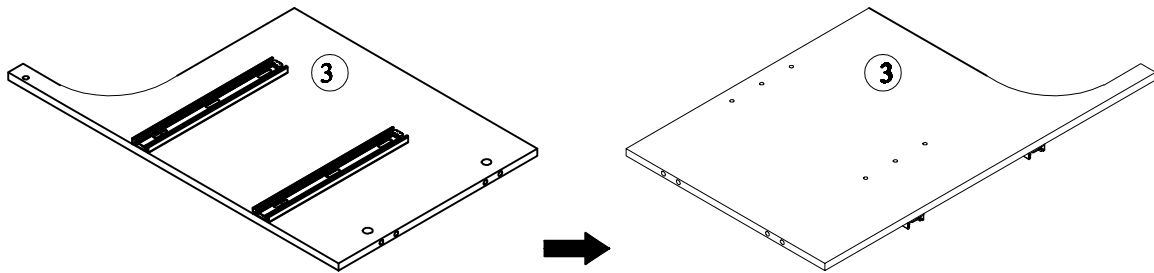
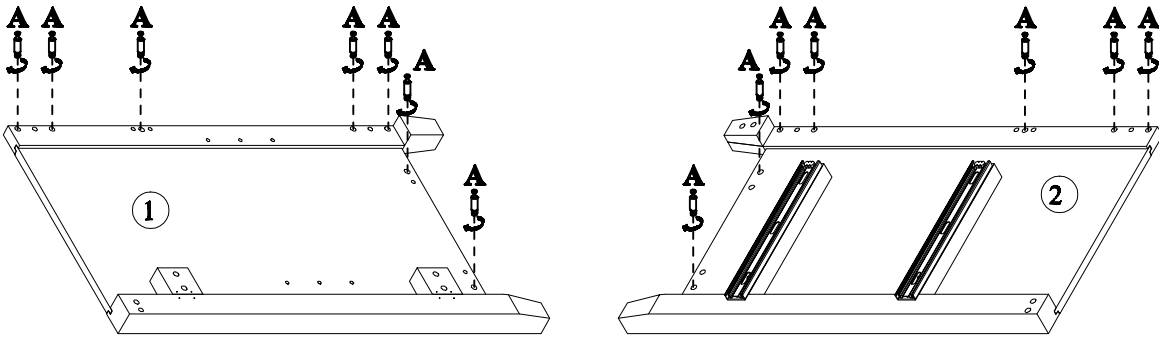
WARNING!

1. Don't attempt to repair or modify parts that are broken or defective. Please contact the store immediately.
2. This product is for home use only and not intended for commercial establishments.
3. Two persons are required for assembly.
4. Approximate assembly time 1/2 hours.
5. Component parts and fittings contained in the box. Please sort out all parts before you begin to assemble the item. This is to make sure you always use the correct part.
6. It is **STRONGLY RECOMMENDED** that you **ANCHOR** this product to the wall. Tipping furniture can cause serious injuries and death. To prevent your furniture from tipping forward it is strongly recommended that you securely attach this product to a wall or other solid surface, using the anchor straps provided appropriate fittings.

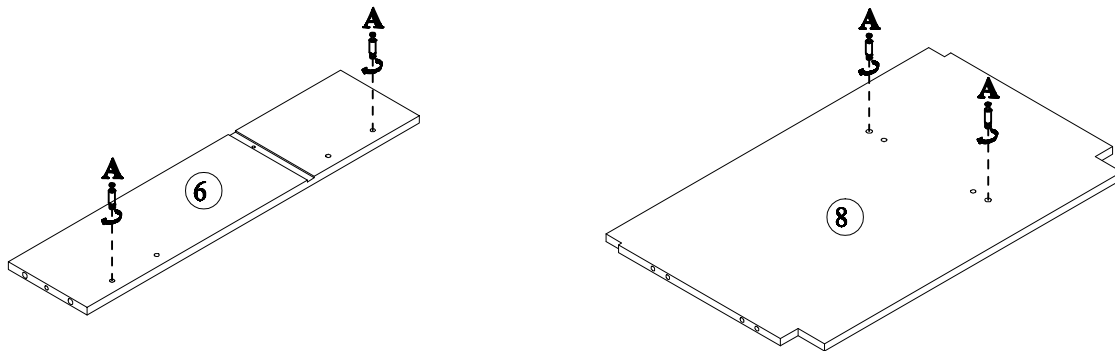
No.	Hardware	Q'ty
A	 Cam Lock Screws	18
B	 Cam Lock	18
C	 Screws $\varnothing 8 \times 4 \times 25 \text{mm}$	2
D	 Handle	3
E	 Screws $\varnothing 5/32 \times 20 \text{mm}$	6
F	 Hinges	2
G	 Screws $\varnothing 7 \times \varnothing 3.5 \times 15 \text{mm}$	12
H	 Shelf Support	4
I	 Screws $\varnothing 7 \times \varnothing 3.5 \times 12 \text{mm}$	4
J	 Wooden $\varnothing 6 \times 30 \text{mm}$	16

No.	Hardware	Q'ty
K	 Wooden $\varnothing 8 \times 30 \text{mm}$	18
L	 Allen Bolts 1/4" x 28	3
M	 Flat Washers 1/4" x 16 x 1	3
N	 Screws $\varnothing 8 \times 4 \times 32 \text{mm}$	16
O	 Allen key	1
P	 Anti fall hardware (sets)	1
		Not Included

Step 1

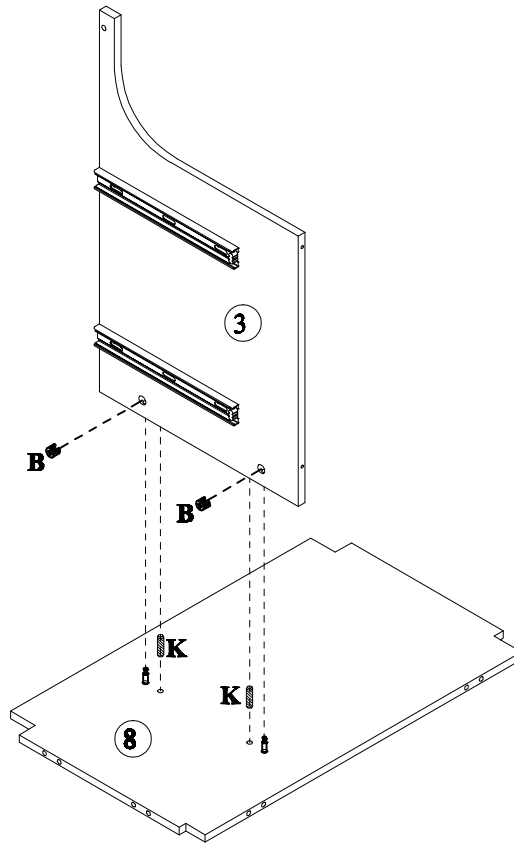


Turn over Panel No.3 and install screw (C)



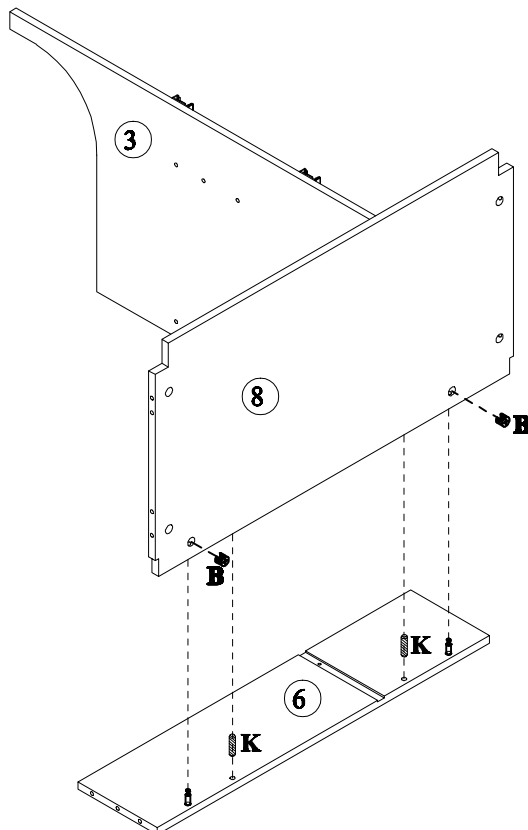
No	Hardware	Q'ty
A	Cam Lock Screws	18

Step 2



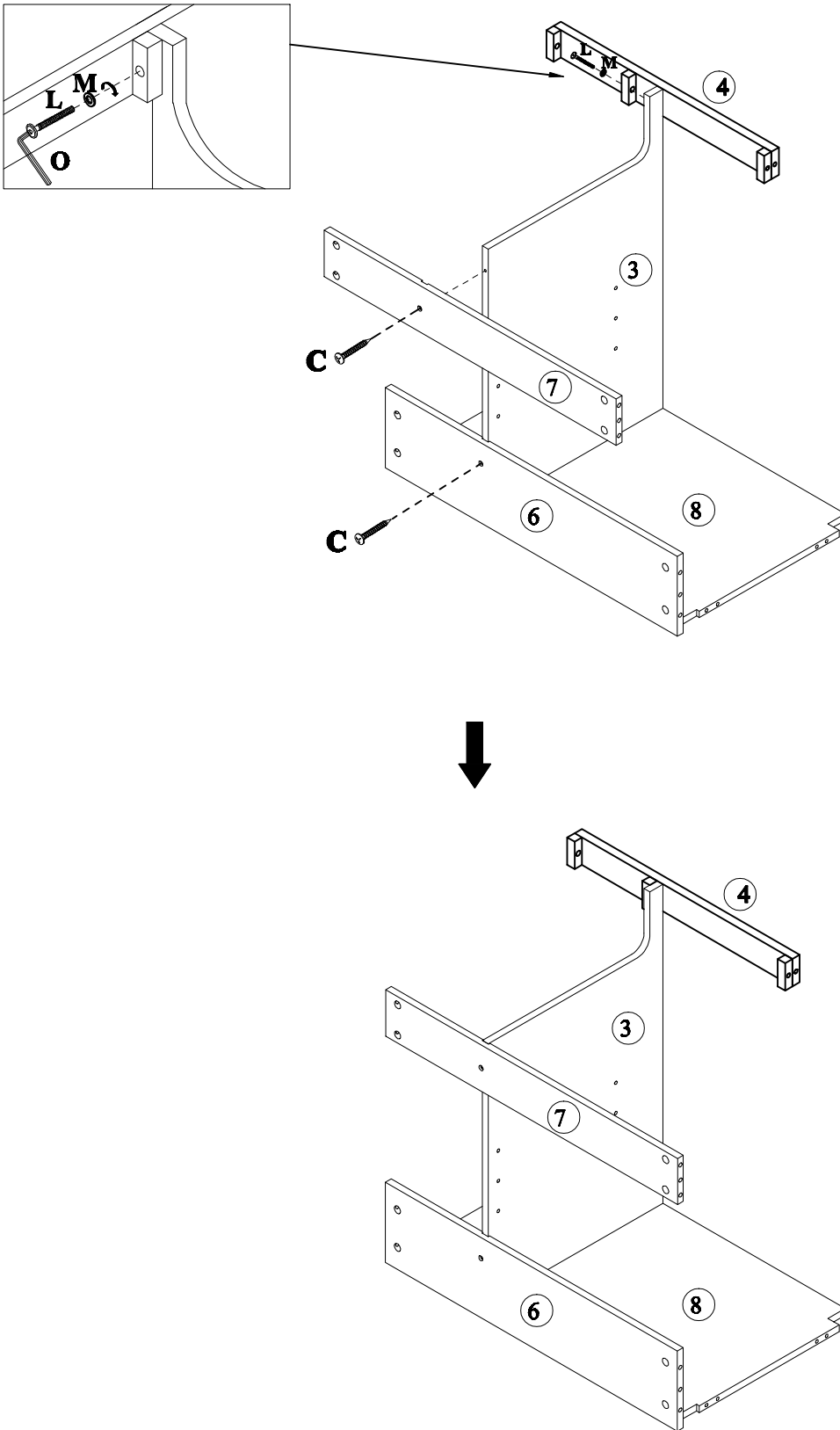
No	Hardware	Q'ty
B	Cam Lock	2
K	Wooden $\varnothing 8 \times 30 \text{mm}$	2

Step 3



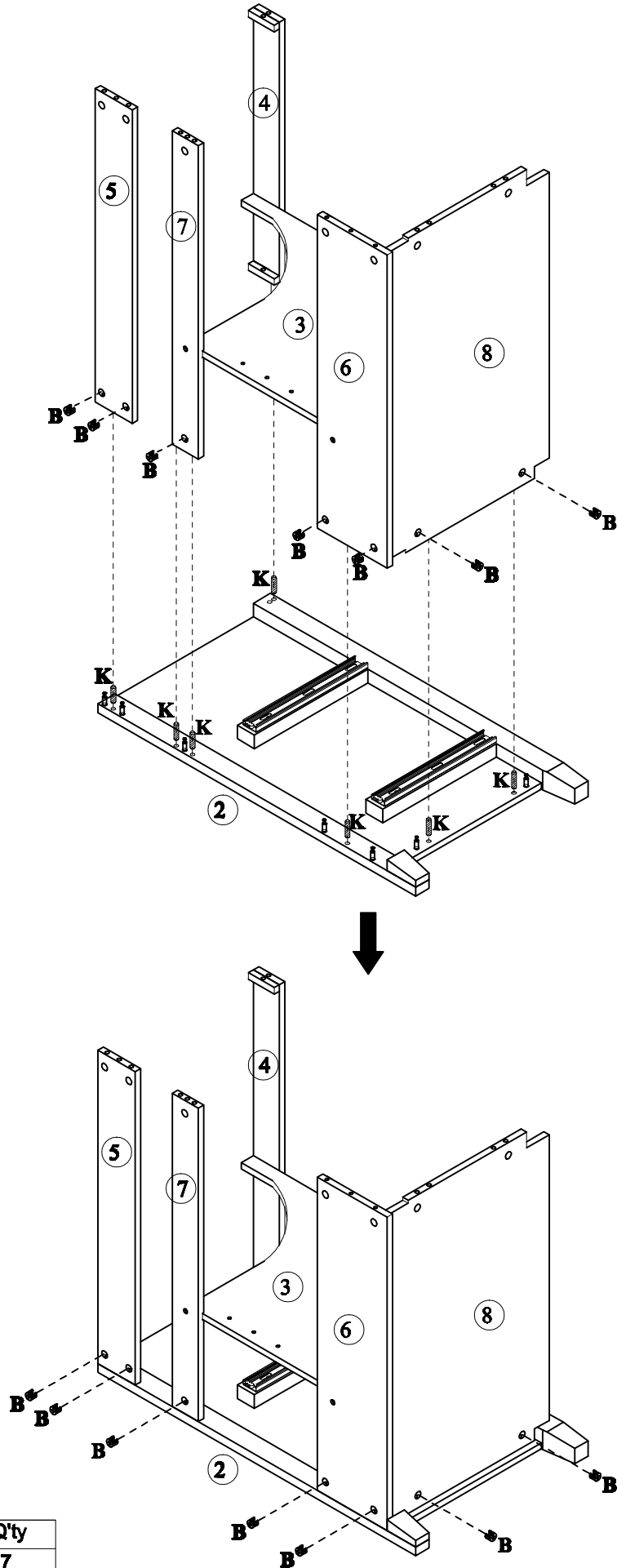
No	Hardware	Q'ty
B	Cam Lock	2
K	Wooden $\varnothing 8 \times 30 \text{mm}$	2

Step 4



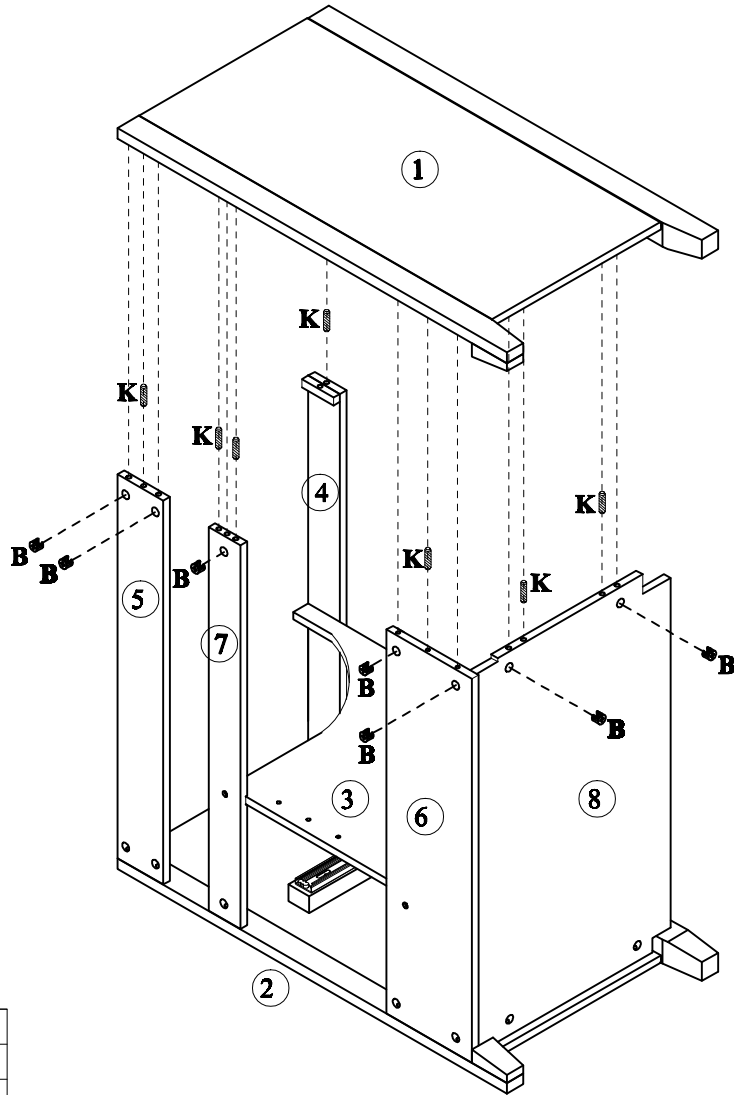
No	Hardware	Q'ty
C	Screws $\varnothing 8 \times \varnothing 4 \times 25 \text{mm}$	2
O	Allen key	1
L	Allen Bolts $1/4" \times 28$	1
M	Flat Washers $1/4" \times 16 \times 1$	1

Step 5



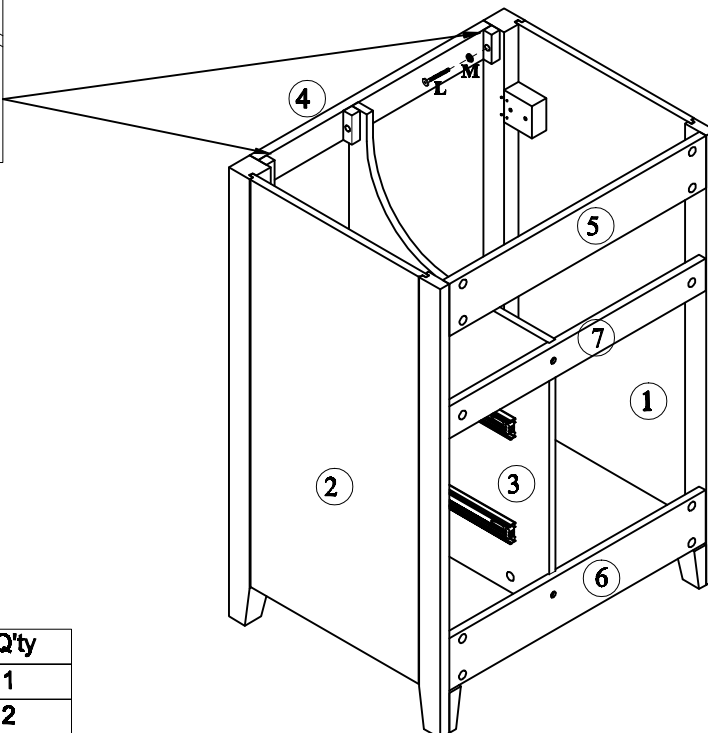
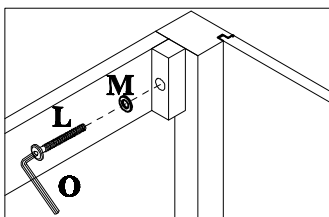
No	Hardware	Q'ty
B	Cam Lock	7
K	Wooden ø8x30mm	7

Step 6



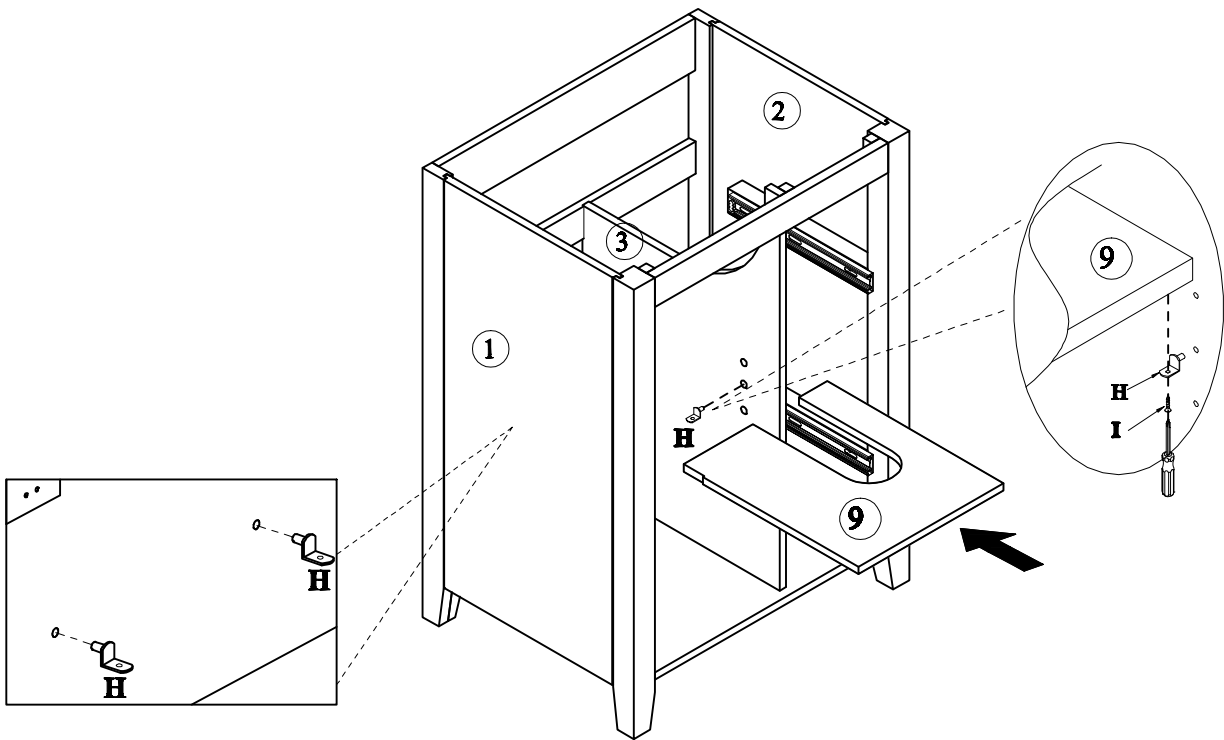
No	Hardware	Q'ty
B	Cam Lock	7
K	Wooden $\varnothing 8 \times 30 \text{mm}$	7

Step 7



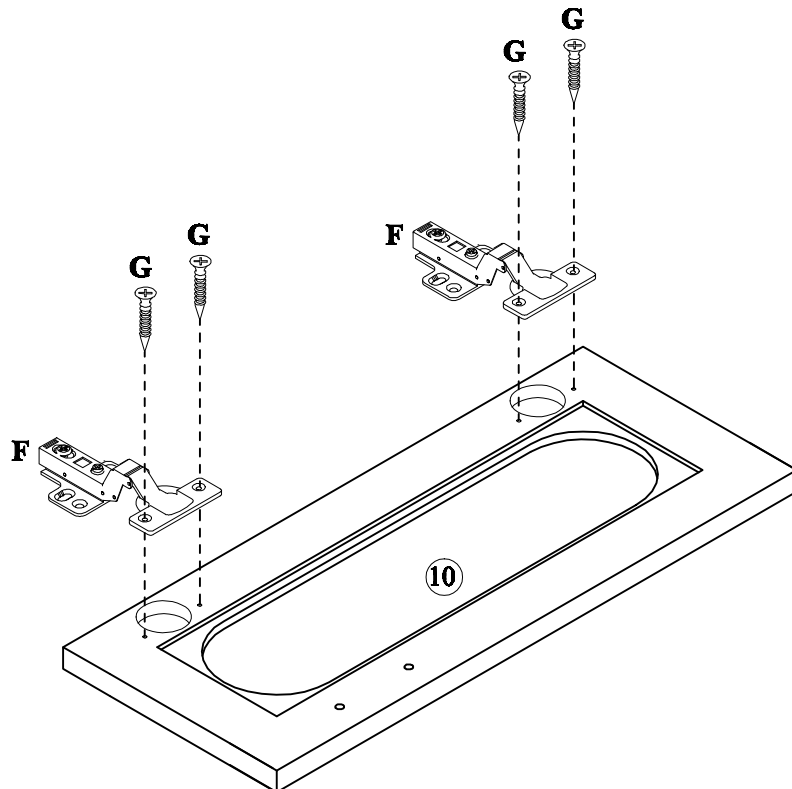
No	Hardware	Q'ty
O	Allen key	1
L	Allen Bolts 1/4" x 28	2
M	Flat Washers 1/4"x16x1	2

Step 8



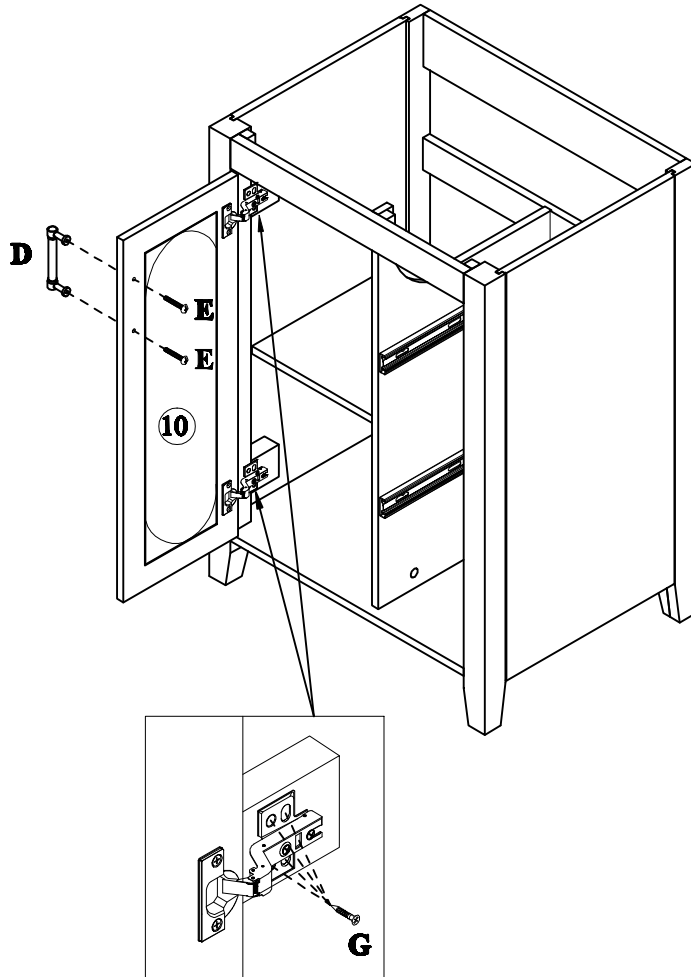
No	Hardware	Q'ty
H	Shelf Support	4
I	Screws $\varnothing 7 \times \varnothing 3.5 \times 12 \text{mm}$	4

Step 9



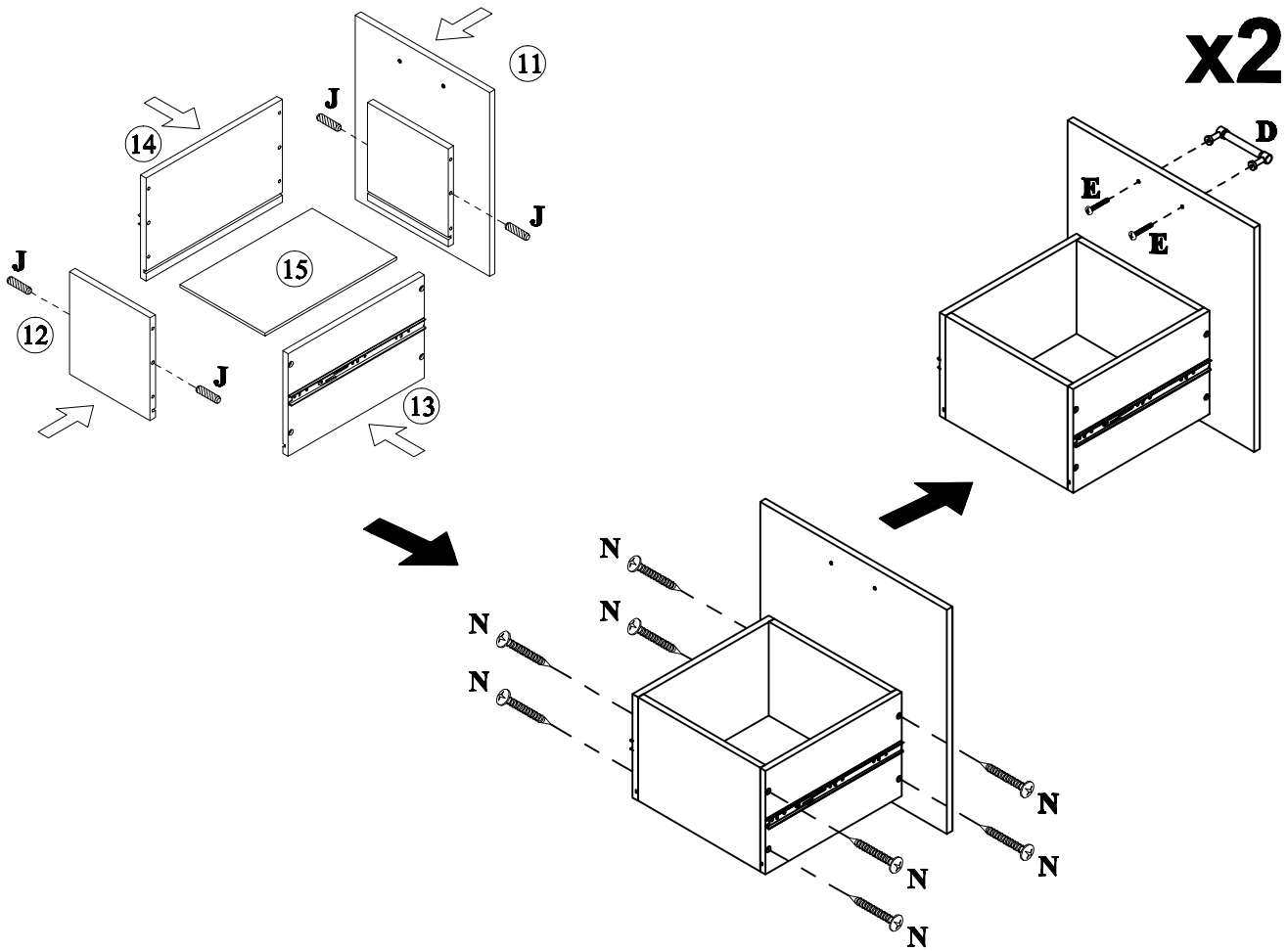
No	Hardware	Q'ty
F	Hinges	2
G	Screws $\varnothing 7 \times \varnothing 3.5 \times 15 \text{mm}$	4

Step 10



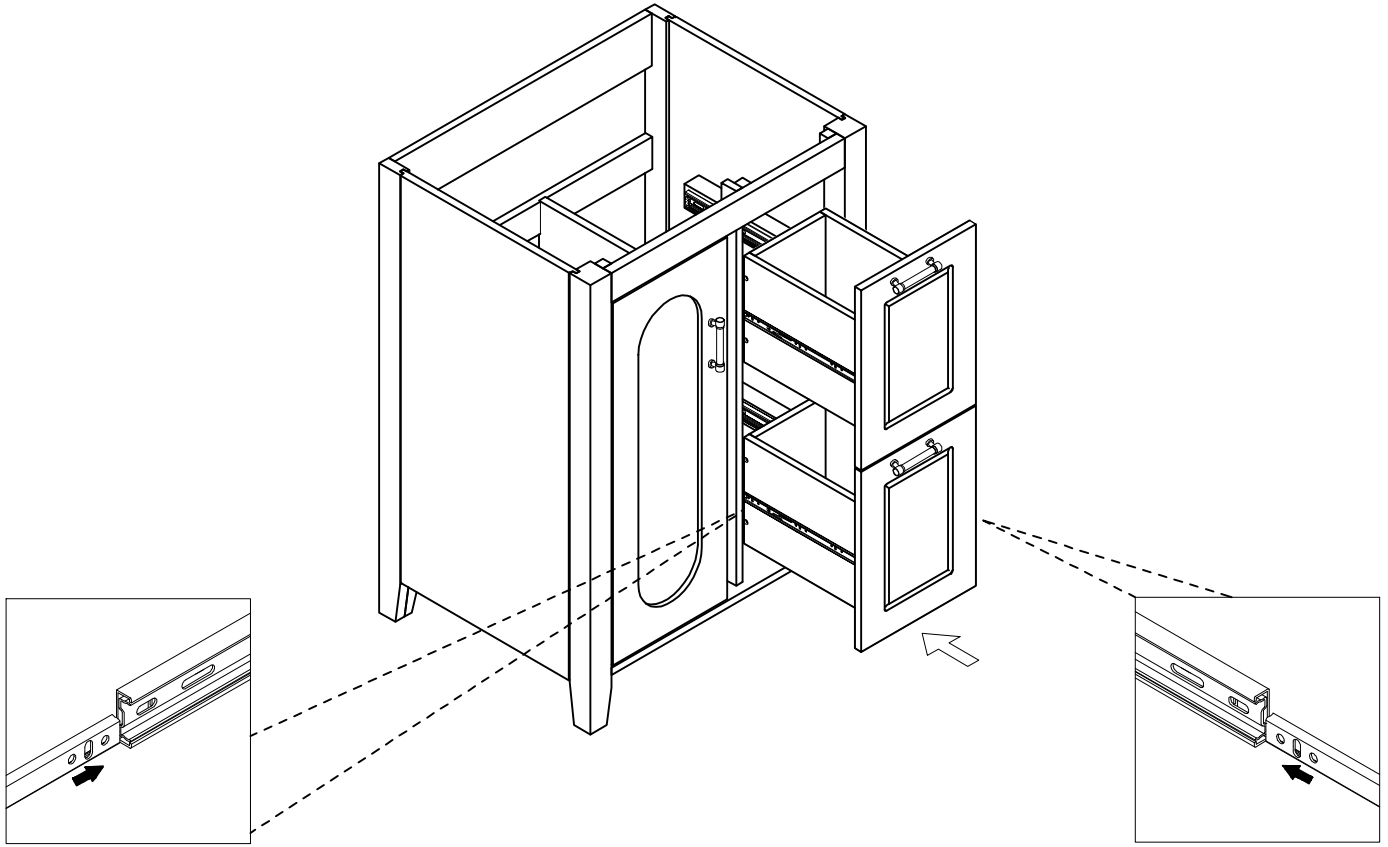
No	Hardware	Q'ty
G	Screws $\phi 7 \times \phi 3.5 \times 15 \text{mm}$	8
D	Handle	1
E	Screws $\phi 5/32" \times 20 \text{mm}$	2

Step 11

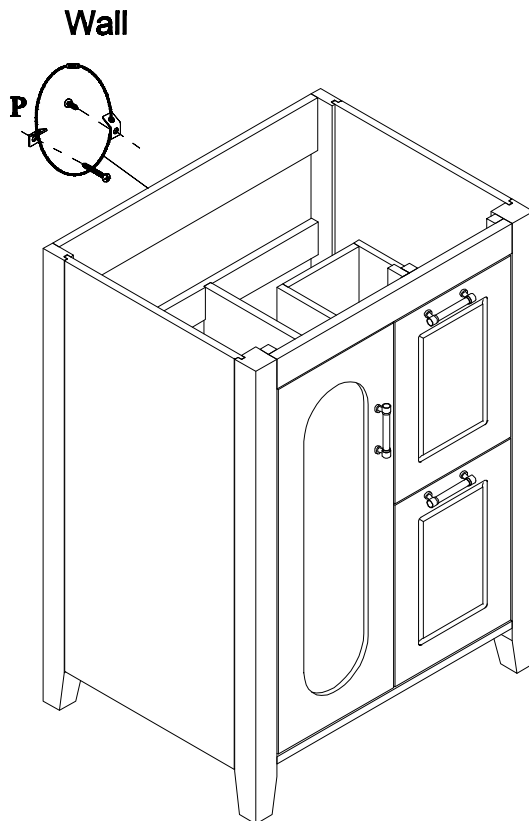


No	Hardware	Q'ty
J	Wooden $\varnothing 6 \times 30 \text{mm}$	8
N	Screws $\varnothing 8 \times \varnothing 4 \times 32 \text{mm}$	16
D	Handle	2
E	Screws $\varnothing 5/32" \times 20 \text{mm}$	4

Step 12

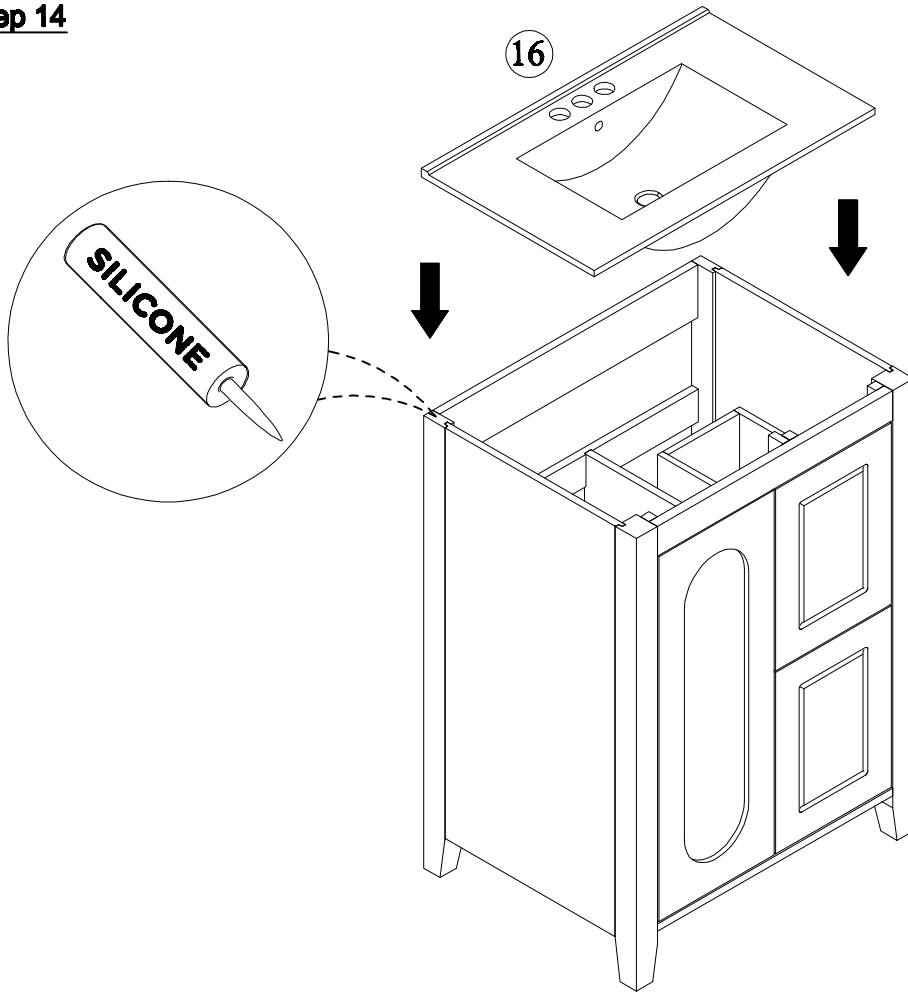


Step 13



No	Hardware	Q'ty
P	Anti fall hardware	1

Step 14



Step 15

