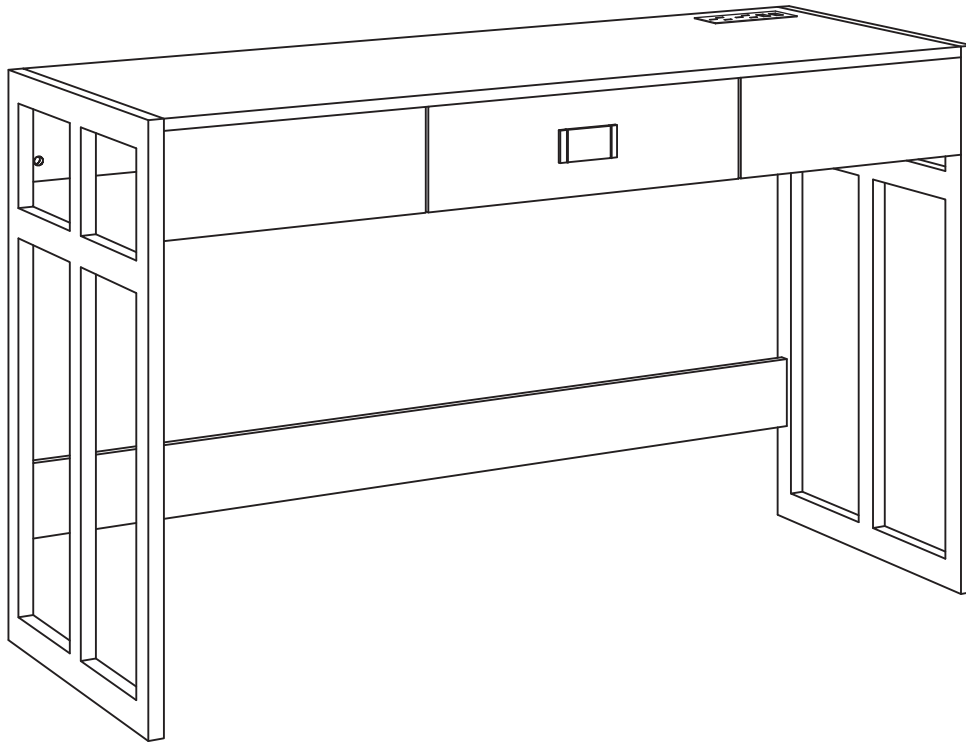


## 47" DESK W/ELC



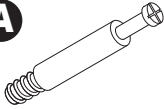





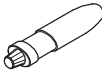
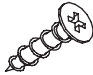

### **ASSEMBLY INSTRUCTIONS**

---


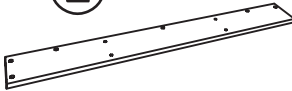
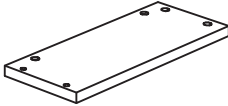
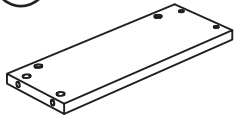

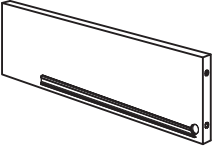
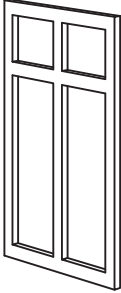
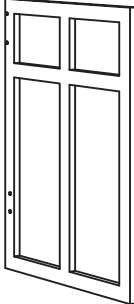

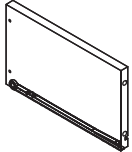
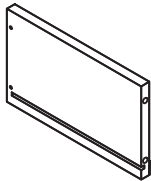
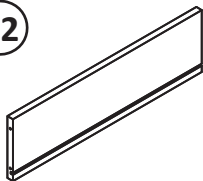
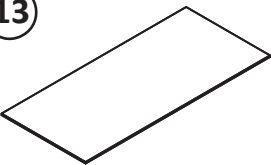
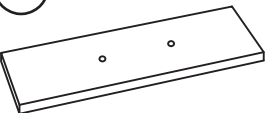

We have designed our furniture with you , the customer in mind . Our clear , easy to follow , step by step instructions will guide you through the project from start to finish . Feel confident that this will be a fun and rewarding project . The final product will be a quality piece of furniture that will go together smoothly and give years of enjoyment .

---

## Hardware List

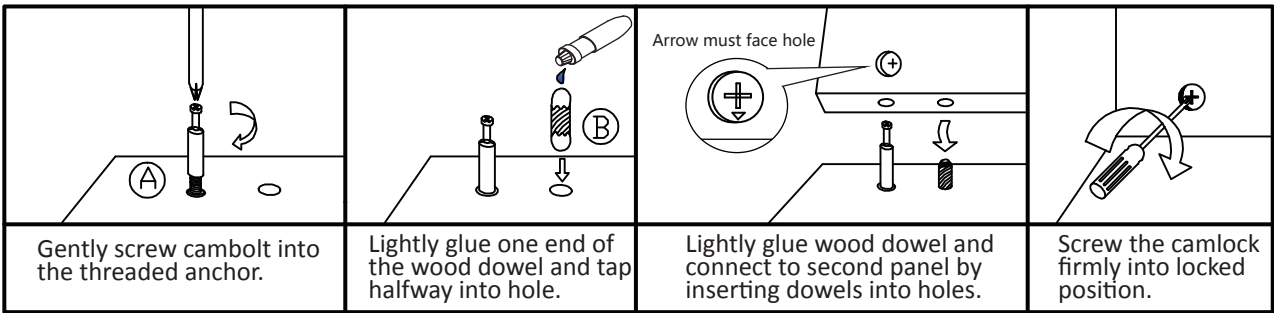
<b>A</b> 	<b>B</b> 	<b>C</b> 	<b>D</b> 
Cambolt (33pcs)	Camlock (33pcs)	Wood dowel (10pcs)	Screw (2pcs)
<b>E</b> 	<b>F</b> 	<b>G</b> 	<b>H</b> 
Drawer screw (4pcs)	Socket strip (1pc)	Glue (1pc)	Knob screw (2pcs)
<b>I</b> 	Glue : For securing please apply to wood dowel first before inserting into panel .		
Sticker ( 4pcs )			

## Panel List

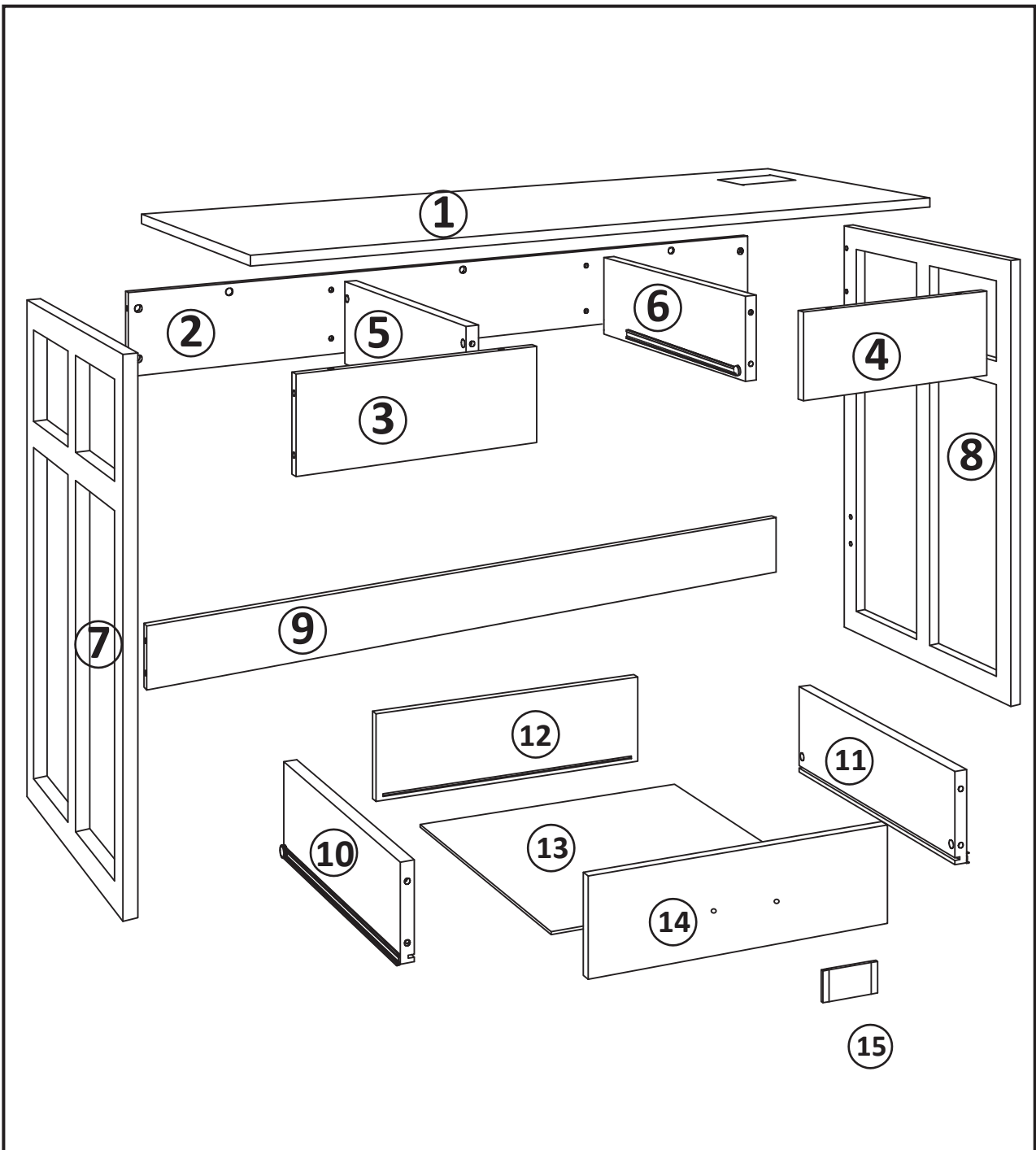
<b>1</b> 	<b>2</b> 	<b>3</b> 	<b>4</b> 
Top panel (1pc)	Top back panel (1pc)	Left front panel (1pc)	Right front panel (1pc)
<b>5</b> 	<b>6</b> 	<b>7</b> 	<b>8</b> 
Left support panel (1pc)	Right support panel (1pc)	Left panel (1pc)	Right panel (1pc)
<b>9</b> 	<b>10</b> 	<b>11</b> 	<b>12</b> 
Bottom back panel (1pc)	Drawer left panel (1pc)	Drawer right panel (1pc)	Drawer back panel (1pc)
<b>13</b> 	<b>14</b> 	<b>15</b> 	
Drawer bottom panel (1pc)	Drawer front panel (1pc)	Knob (1pc)	

\*Please count and verify all parts before assembly .\*

## Assembling the unit with camlocks and wood dowels.



## Exploded Views



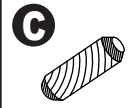
## Step 1

\*Assemble unit on carpet or flat surface.

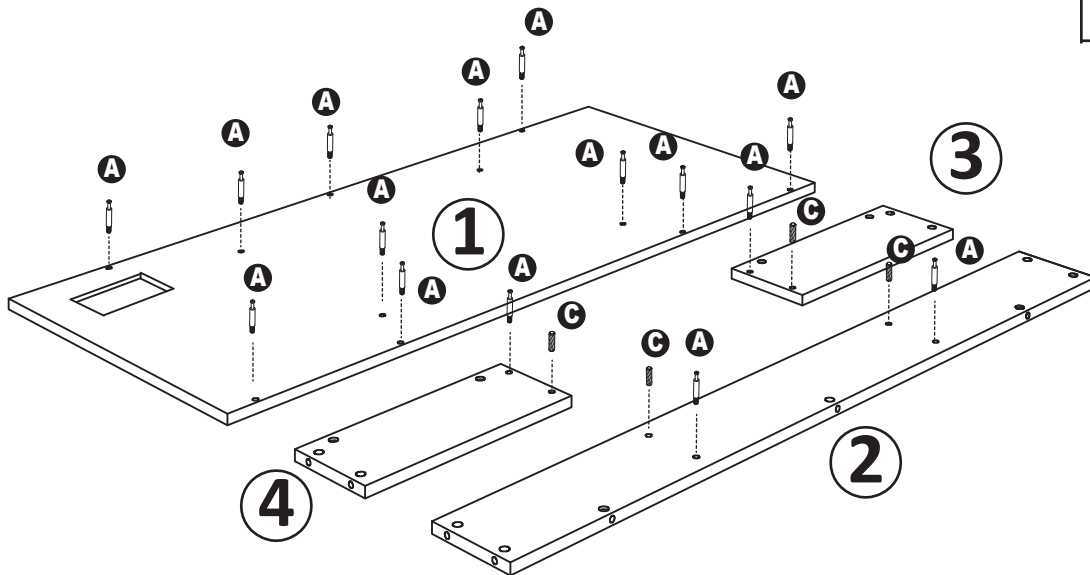
1. Insert cambolts (A) and wooden dowels (C) into top panel ① top back panel ② left front panel ③ and right front panel ④ as shown.



x 15



x 4

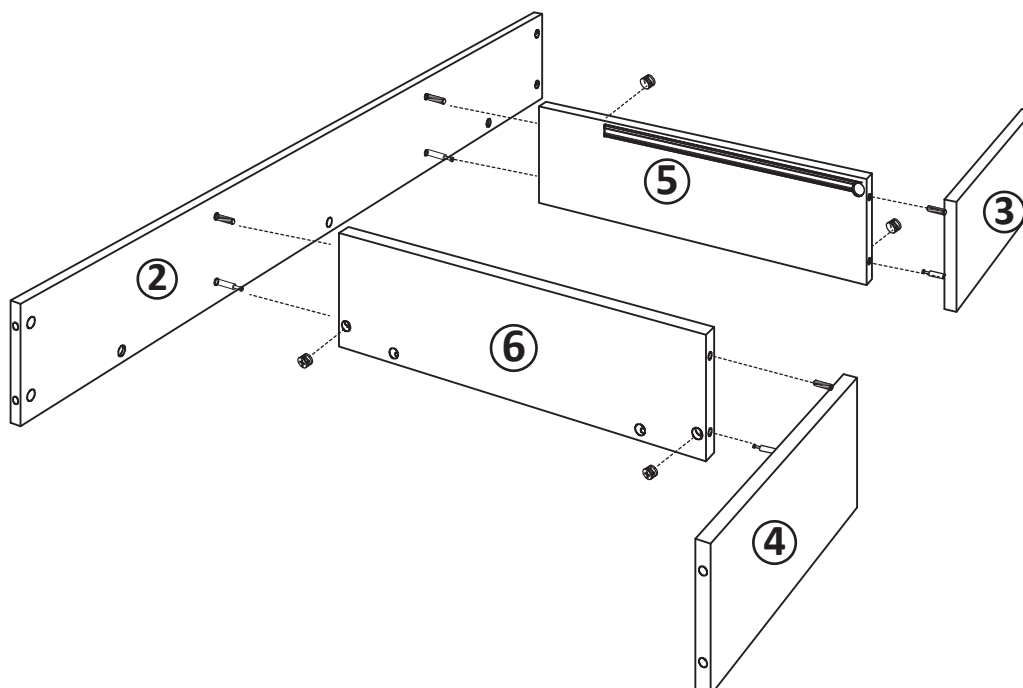


## Step 2

1. Attach left support panel ⑤ and right support panel ⑥ to back panel ② as shown using camlocks (B) gently tighten camlocks.
2. Attach left front panel ③ and right front panel ④ to assembly using camlocks (B) gently tighten camlocks.



x 4



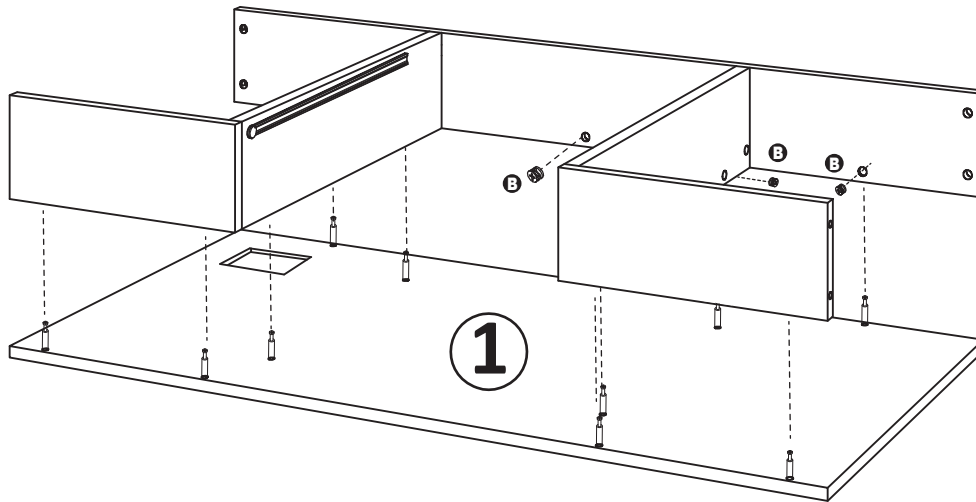
## Step 3

1. Attach top panel ① to assembly using camlocks (B) gently tighten camlocks.

**B**



x 11



## Step 4

1. Screw cambolts (A) and wood dowels (C) into left panel ⑦ and right panel ⑧ as shown .

2. Connect left panel ⑦ and right panel ⑧ to assembly and bottom back panel ⑨ as shown using camlocks (B) , gently tighten camlocks.

3. Attach stickers (I) to holes .

**A**



x 16

**B**



x 16

**C**

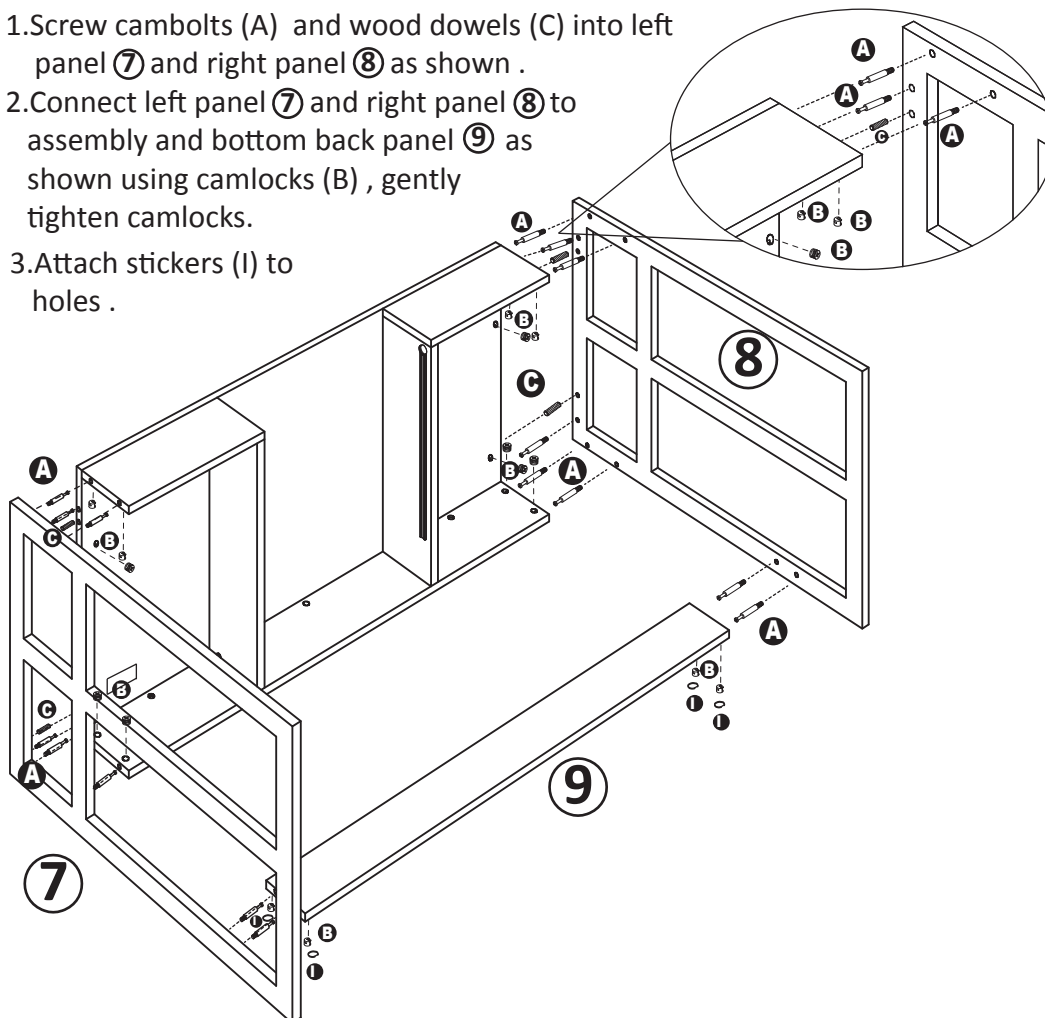


x 4

**I**

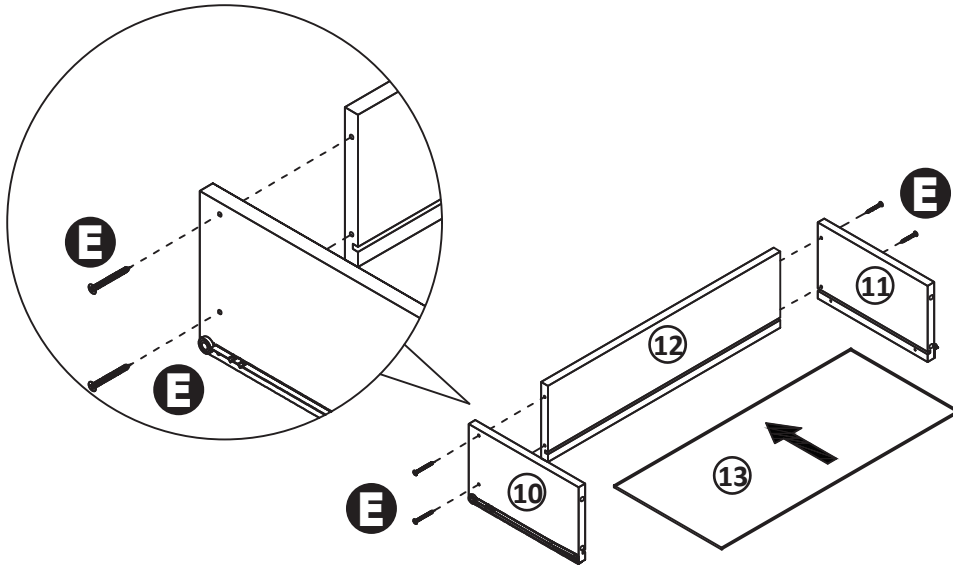
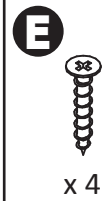


x4



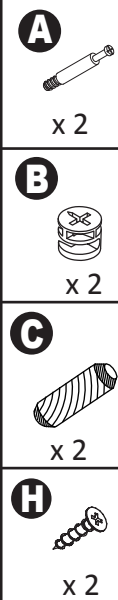
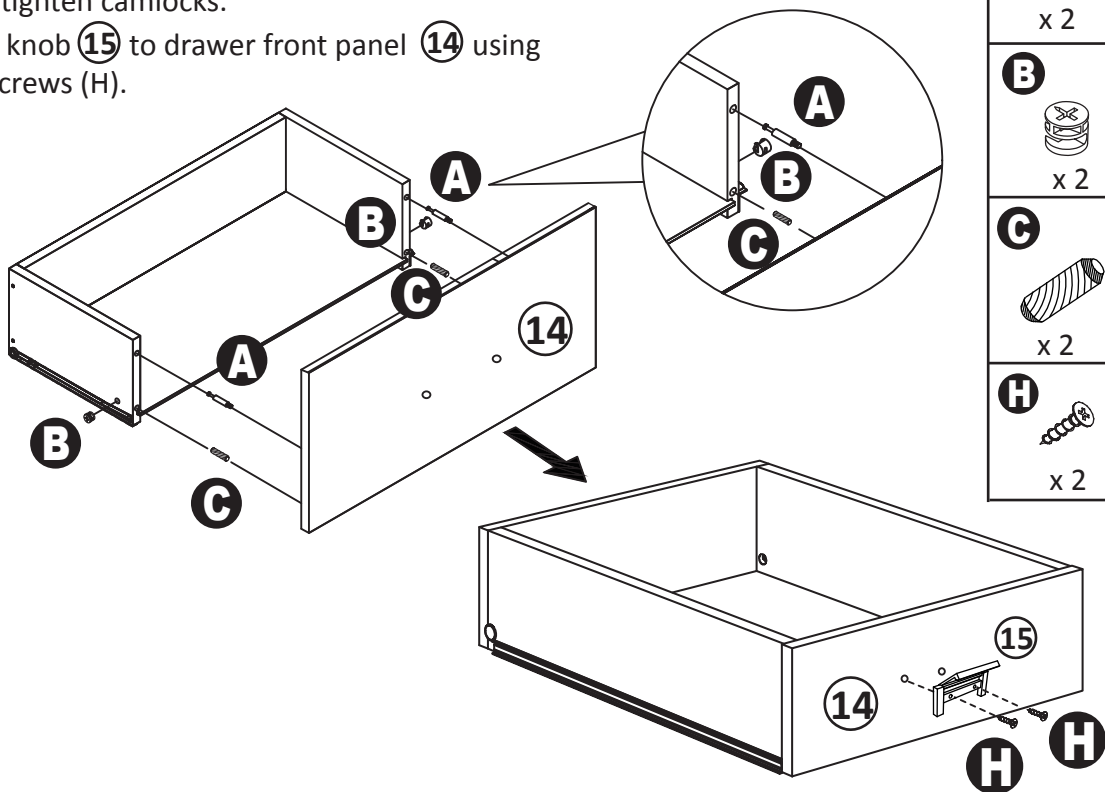
## Step 5

1. Attach drawer left panel (10) and drawer right panel (11) to drawer back panel (12) as shown using short screws (E) .
2. Push drawer bottom panel (13) through grooves of side panels into panels as shown .



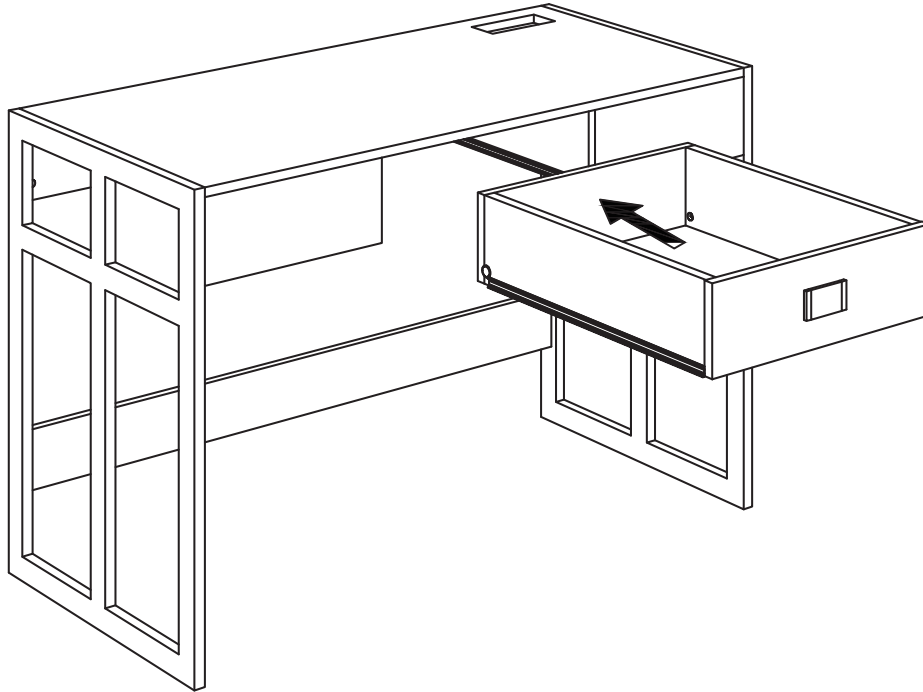
## Step 6

1. Attach cambolts (A) and wooden dowels (C) into drawer front panel (14) as shown .
2. Attach drawer front panel (14) to assembly as shown using camlocks (B) , gently tighten camlocks.
3. Attach knob (15) to drawer front panel (14) using knob screws (H).



## Step 7

1. Carefully place drawers into unit as shown.



## Step 8

1. Attach socket strip (F) to top panel ① using screws (D).

\*Do not plug into outlet at this point.

