

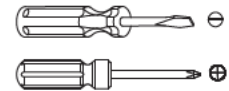
# ASSEMBLY INSTRUCTIONS

ASSEMBLY  
REQUIREMENTS

2-Person  
Assembly

1.5 Hours  
Assembly Time  
(Approximate)

Assembly  
Tools Required  
(Not Provided)



**THIS PRODUCT IS FOR INDOOR AND HOUSEHOLD USE ONLY-  
NOT FOR COMMERCIAL USE.**



## ASSEMBLY PREPARATION

1. Remove all packaging materials, staples and packing straps from the carton.
2. Refer to Parts List and Hardware List, and ensure parts and hardware are correct before assembly. Contact customer service for missing parts.
3. Place all wooden parts on a clean, flat and soft surface (e.g. carpet or rug) to prevent scratch and damage to parts.

## SAFETY PRECAUTION

1. KEEP ALL HARDWARE PARTS OUT OF REACH OF CHILDREN.
2. DISPOSE PLASTIC PACKAGING MATERIAL IMMEDIATELY TO AVOID ANY RISK OF SUFFOCATION TO CHILDREN AND ANIMALS.

## TIPS FOR ASSEMBLY

1. Allow ample room for assembly and assemble the product near where the product will be placed.
2. Assemble the product on a surface that does not scratch or damage the exterior gloss and finish of the furniture.
3. Identify all of the parts, hardware and quantities required for each step.
4. During assembly, do not over-tighten any fittings as this may cause damage.
5. DO NOT USE POWER TOOLS TO ASSEMBLE THIS PRODUCT.
6. Always place the product on a flat, level surface.
7. Do not sit or stand on the partially assembled product; only use the product for which it is intended.

## CARE AND MAINTENANCE

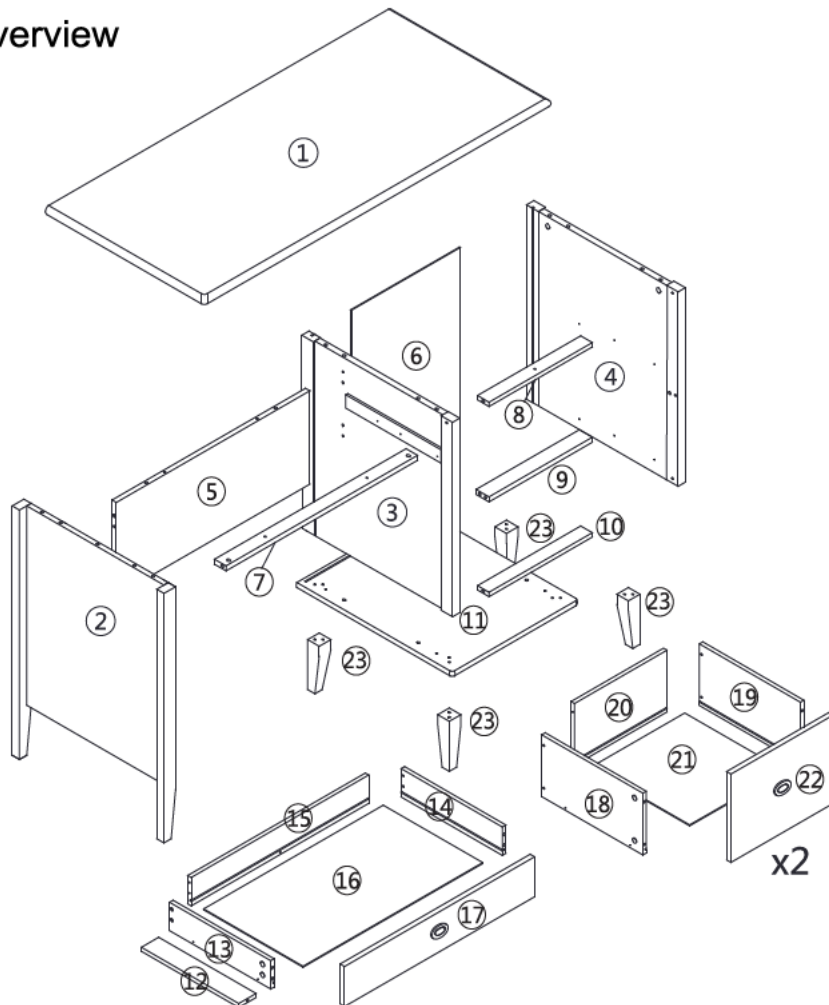
- Wipe clean with a soft, dry cloth; avoid the use of harsh chemicals or household cleaners as they may damage the exterior finish of the furniture.
- Hardware may loosen over time. Periodically, check that all connections are tight; re-tighten as necessary.
- Solid wood is impacted by heat and humidity fluctuations which may cause small joint separations or hairline cracks; place the furniture away from direct sunlight and air conditioning vents, heating vents or units to protect the furniture.

# ASSEMBLY INSTRUCTIONS

## Parts List

Part #	Part Name	Quantity	Part #	Part Name	Quantity
(1)	Top Panel	1	(14)	Drawer Right Panel	1
(2)	Left Frame	1	(15)	Drawer Back Panel	1
(3)	Middle Vertical Panel	1	(16)	Drawer Bottom Panel	1
(4)	Right Vertical Panel	1	(17)	Drawer Front Panel	1
(5)	Left Back Panel	1	(18)	Big Drawer Left Panel	2
(6)	Right Back Panel	1	(19)	Big Drawer Right Panel	2
(7)	Left Upper Support Rail	1	(20)	Big Drawer Back Panel	2
(8)	Right Upper Support Rail	1	(21)	Big Drawer Bottom Panel	2
(9)	Right Middle Support Rail	1	(22)	Big Drawer Front Panel	2
(10)	Right Bottom Support Rail	1	(23)	Leg	4
(11)	Bottom Panel	1			
(12)	Drawer Bottom Support Rail	1			
(13)	Drawer Left Panel	1			

## Parts Assembly Overview



# ASSEMBLY INSTRUCTIONS

## Hardware List



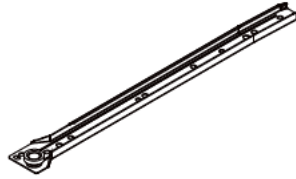
Ax34 PCS  
Cam-bolt



Bx34 PCS  
Cam-lock  
Ø15x10mm



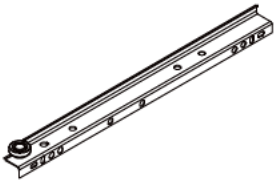
Cx16 PCS  
Wood Dowel  
8x30mm



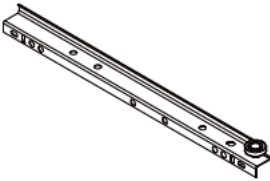
Dx3 PCS  
Drawer Track



Ex3 PCS  
Drawer Track



Fx3 PCS  
Drawer Runner



Gx3 PCS  
Drawer Runner



Hx30 PCS  
Screw  
3x12mm



Ix12 PCS  
Screw  
7x40mm



Jx2 PCS  
Small Wood Dowel  
6x30mm



Kx1 PCS  
Allen Key



Lx4 PCS  
Screw  
3x14mm



Mx4 PCS  
Panel Stopper



Nx2 PCS  
Safety Strap



Ox2 PCS  
Screw  
4x14mm



Px2 PCS  
Wall Anchor



Qx2 PCS  
Screw  
4x35mm



Rx16 PCS  
Screw  
4x25mm

# INSTRUCTIONS FOR CAM-BOLT & CAM-LOCK

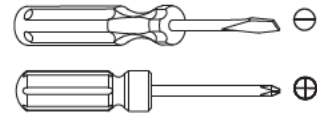


CAM-BOLT



CAM-LOCK

## Tools Required



## INSERTING AND TIGHTENING CAM-BOLT

Place Cam-bolt on pre-drilled hole and screw in vertically

Shoulder is flushed (on the same level) with the panel.

Shoulder is above the panel.

Place Cam-bolt on the designated pre-drilled hole on the panel. Use a Phillips Screwdriver to screw-in Cam-bolt vertically until shoulder is flushed (on the same level) with panel.

## INSERTING CAM-LOCK

Insert Cam-lock with arrow align to Cam-bolt head

CORRECT

WRONG

Align the arrow on the Cam-lock to the Cam-bolt head and insert the Cam-lock. Ensure Cam-lock is fully inserted.

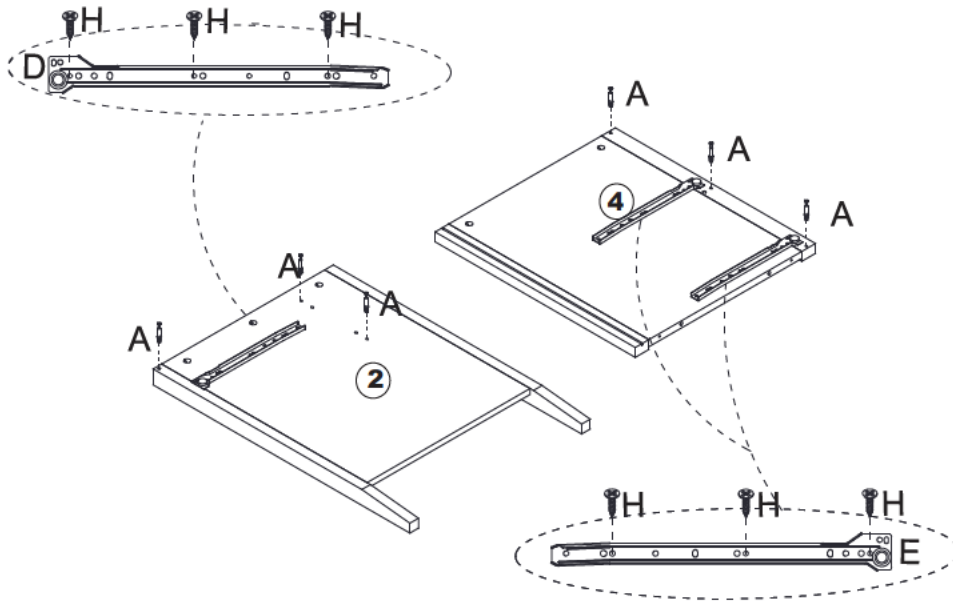
## TIGHTENING CAM-LOCK



Use a Flat-head Screwdriver to turn Cam-lock clockwise so it locks onto the head of the Cam-bolt. Turn until it is snug (about 3/4ths of a turn) -- over-tightening could damage Cam-lock or/and Cam-bolt.

# ASSEMBLY INSTRUCTIONS

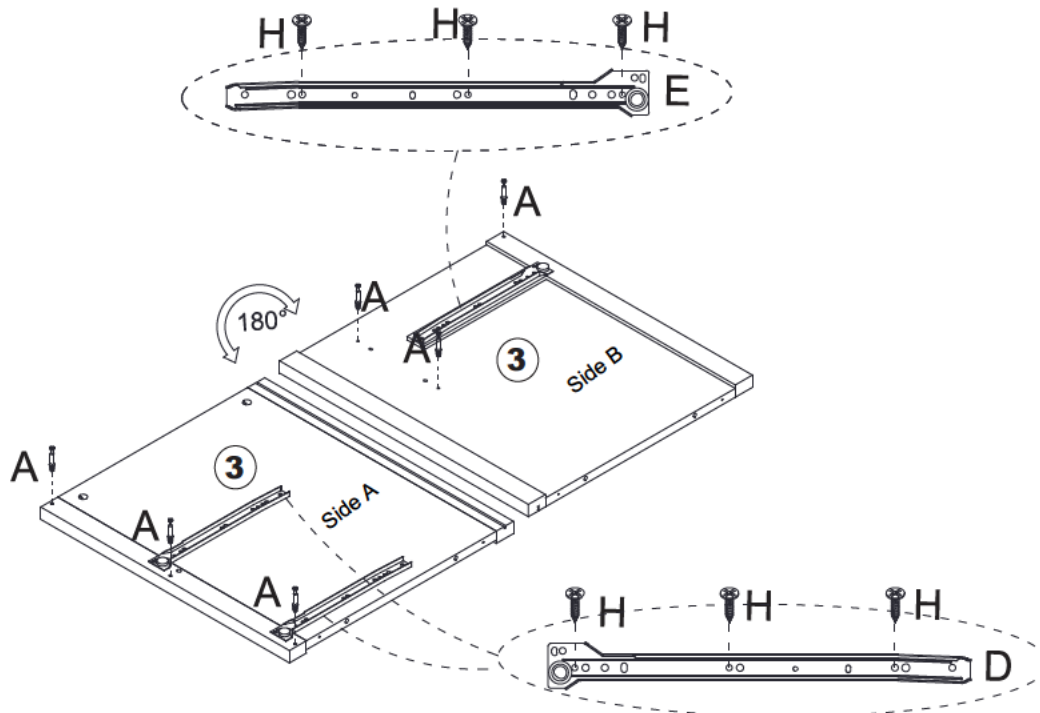
## STEP 1



A	x6
D	x1
E	x2
H	x9
3x12mm	

- Place Left Frame (2) and Right Vertical Panel (4) as shown on a material that does not scratch or damage the parts.
- Position Drawer Track (D & E) to align the designated screw holes to the pilot holes on (2 & 4) respectively - note the orientation of (D & E). Use Screw (H) to fasten drawer tracks.
- Screw in Cam-bolt (A) into the designated holes on (2) & (4).

## STEP 2





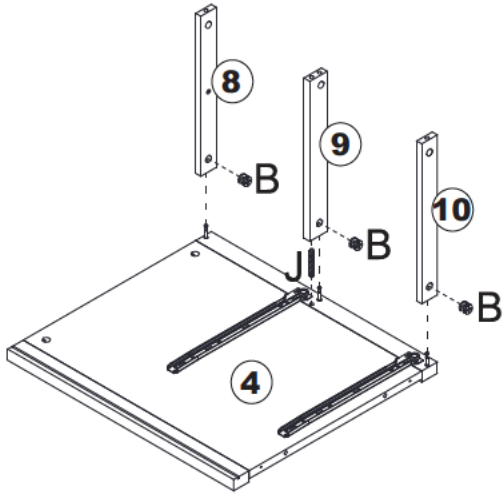
A	x6
D	x2
E	x1
H	x9
3x12mm	

- Place Middle Vertical Panel (3) with "Side A" facing up as shown on a material that does not scratch or damage the part.
- Position Drawer Track (D) to align the designated screw holes to the pilot holes on (3) and fasten with Screw (H). Note the orientation of the (D). Next, screw in Cam-bolt (A) into the designated holes on "Side A" of (3).
- Turn (3) over so that "Side B" is faced up and use the same procedure above to fasten Drawer Track (E) and Cam-bolt.

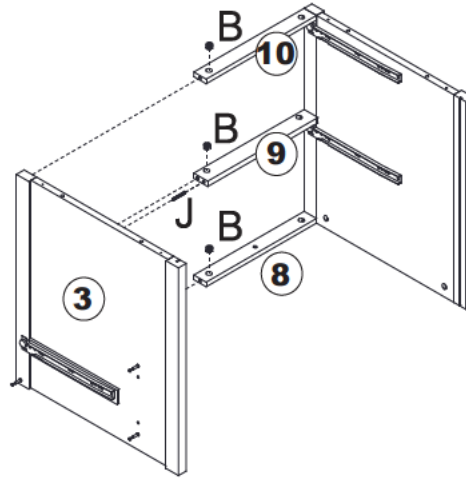
# ASSEMBLY INSTRUCTIONS

## STEP 3

B	x6
	
Ø15x10mm	
J	x2
	
6x30mm	




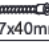

Drawing 3A

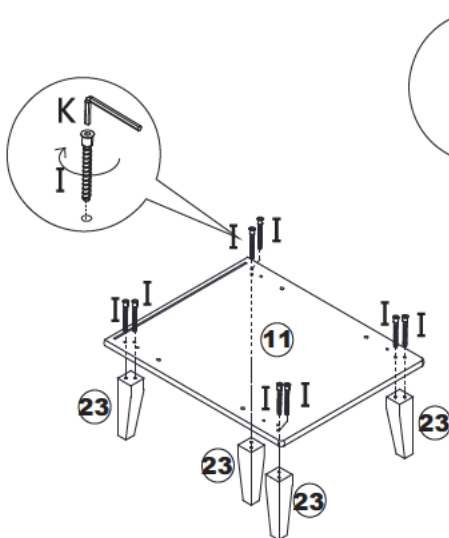


Drawing 3B

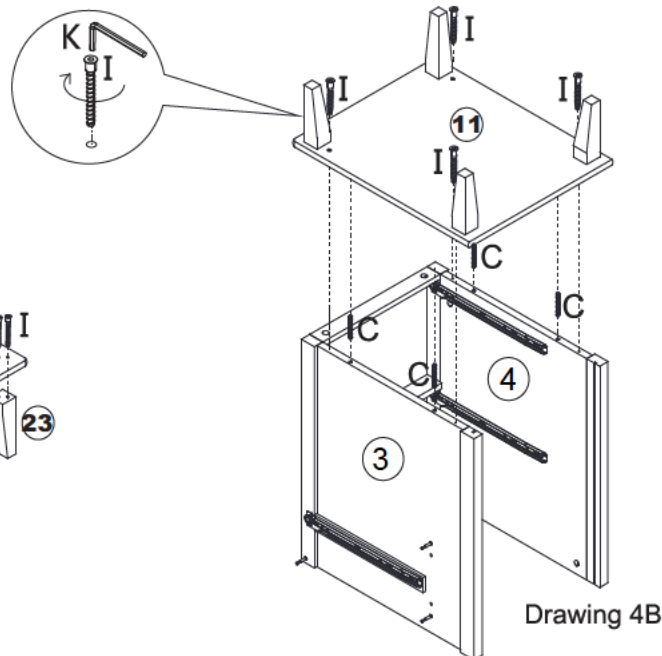
- Refer to Drawing 3A - Attach Support Rail (8, 9 & 10) to Right Vertical Panel (4) from STEP 2 via Cam-Bolt (A) & Small Wood Dowel (J), and turn Cam-lock (B) clockwise to lock onto Cam-bolt.
- Refer to Drawing 3B - Attach Middle Vertical Panel (3) from STEP 1 to Support Rail (8, 9 & 10) via Cam-Bolt (A) & Small Wood Dowel (J)
- Insert Cam-lock (B) into the designated hole on (8, 9 & 10) and turn clockwise to lock onto Cam-bolt.

## STEP 4

C	x4
	
8x30mm	
I	x12
	
7x40mm	
K	x1
	



Drawing 4A

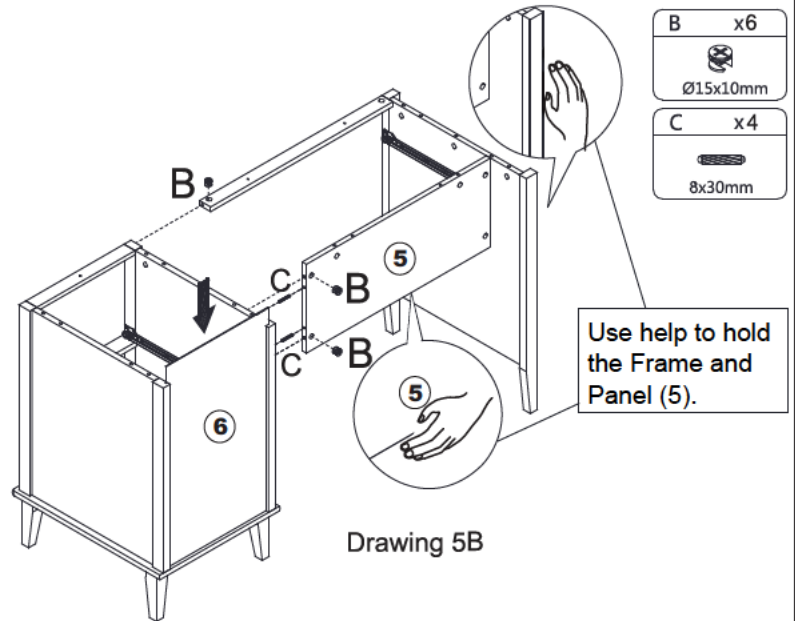
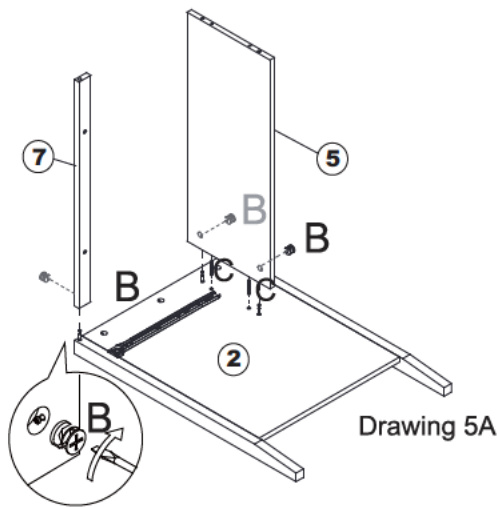


Drawing 4B

- Refer to Drawing 4A - Lay Bottom Panel (11) and Leg (23) as shown and use Screw (I) to fasten Leg (23) onto (11). Use Allen Key (K) to drive and tighten (I).
- Refer to Drawing 4B - Insert Wood Dowel (C) to the designated holes on Middle Vertical Panel (3) and Right Vertical Panel (4) in STEP 3.
- Attach the Bottom Panel/Leg assembly from STEP 4a to the assembly in Step 3 via Wood Dowel (C) and fasten with Screw (I). Use Allen Key (K) to drive and tighten (I).

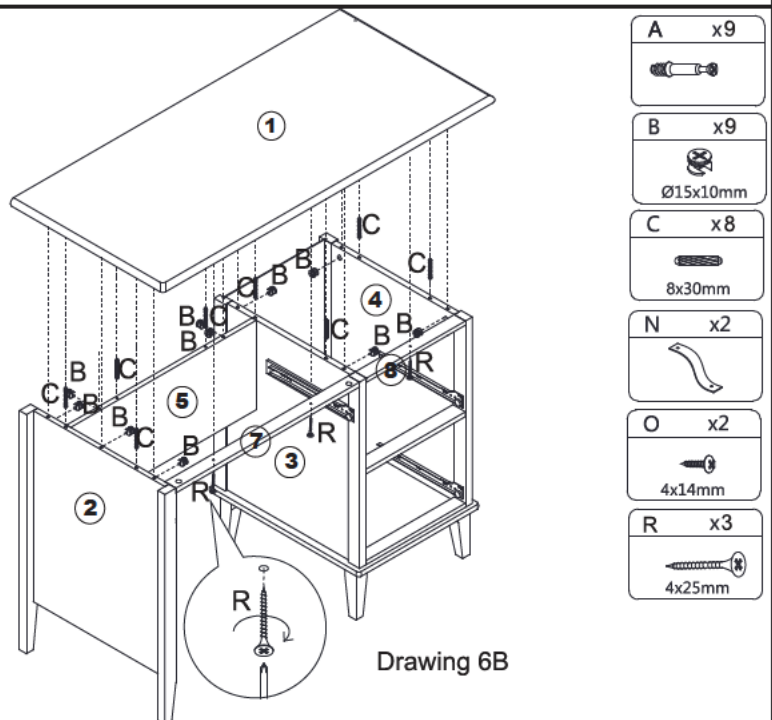
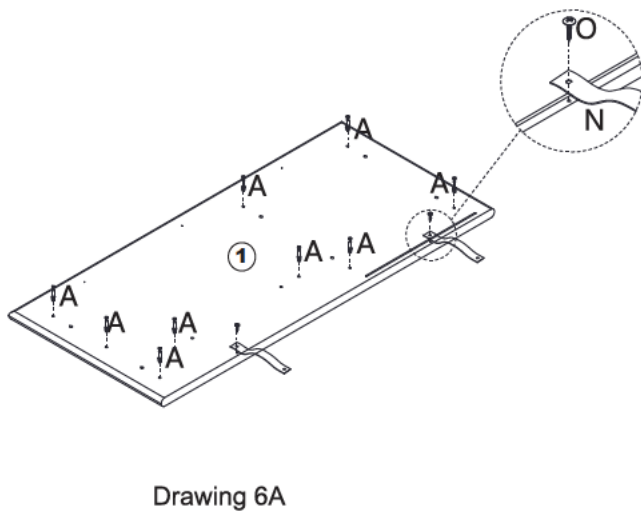
# ASSEMBLY INSTRUCTIONS

## STEP 5



- Refer to Drawing 5A - With assistance, attach Left Back Panel (5) & Left Upper Support Rail (7) to Left Frame (2) via Cam-Bolt (A) & Wood Dowel (C). **Note: Ensure the holes for Cam-lock (B) face outward on (5 & 7).**
- Insert Cam-lock (B) into the designated holes on (5 & 7) and turn Cam-lock (B) clockwise to lock onto cam-bolt.
- With assistance set the assembly from STEP 4 right-side up and fit the Back Panel (6) as shown.
- Refer to Drawing 5B - Use help and assistance to attach the parts from Drawing 5A to the assembly from Step 4 via Cam-Bolt (A) & Wood Dowel (C).

## STEP 6

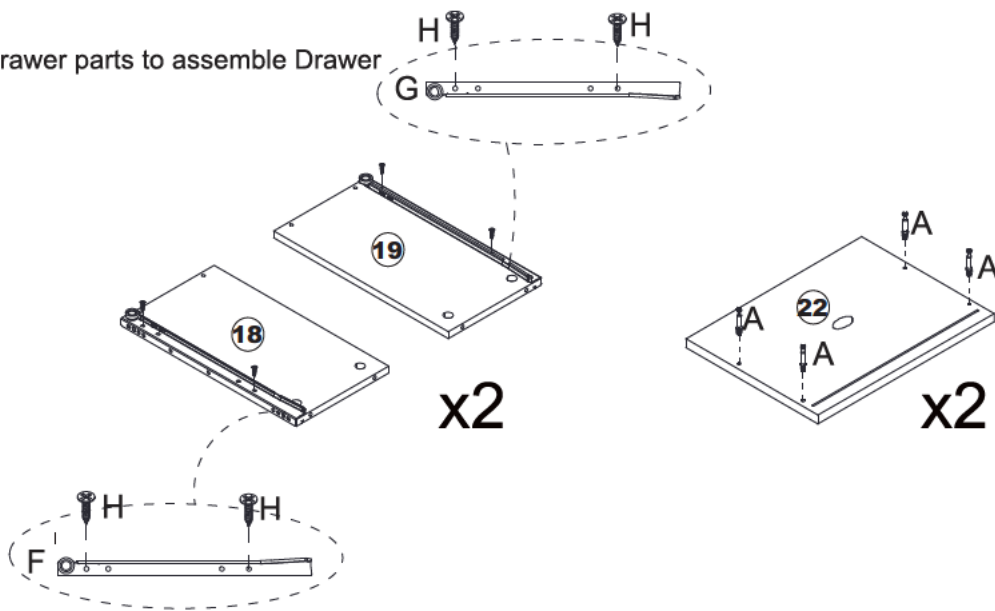


- Refer to Drawing 6A - Lay Top Panel (1) bottom side-up on a material that does not scratch or damage the exterior surface and screw in Cam-bolt (A) into the designated holes.
- Use a Phillips screwdriver to drive Screw (O) to fasten Safety Strap (N) into the designated hole at back edge of (1).
- Refer to Drawing 6B - Insert Wood Dowels (C) into designated holes on top edge of Panel (2 & 3 & 4 & 5).
- Attached Top Panel (1) from STEP 6 b) to Panel (2, 3, 4 & 5) via Cam-bolts and Wood Dowels on the respective parts.
- Insert Cam-lock (B) into the designated holes near the top edge of (2 & 3 & 4 & 5) and turn clockwise to lock onto Cam-bolt. Use Screw (R) to fasten Top Panel (1) to Left Upper Support Rail (7) & Right Upper Support Rail (8).

# ASSEMBLY INSTRUCTIONS

## STEP 7

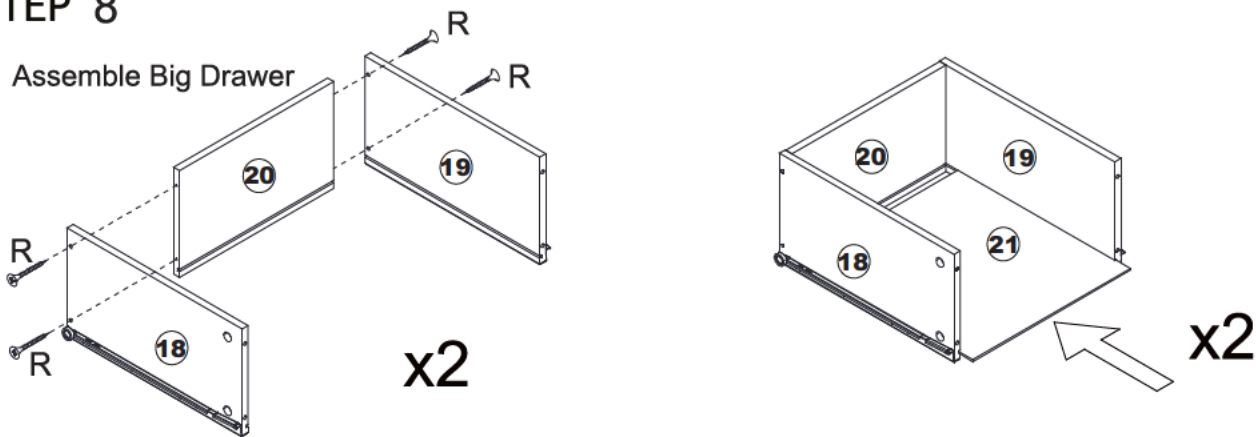
Prepare Drawer parts to assemble Drawer



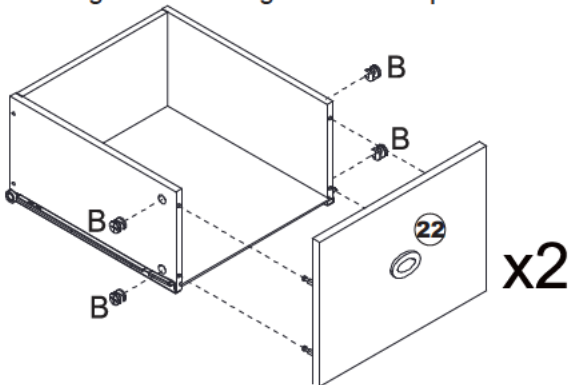
- Lay the drawer parts as shown on a material that does not scratch or damage the parts.
- On the Big Drawer Left Panel (18) position Drawer Runner (F) to align designated screw holes to the pilot holes on (18). Note the orientation of (F), use screw (H) to fasten (F). Do not tighten the screws completely until all the screws are in place.
- Use the above procedure to fasten Drawer Runner (G) to Big Drawer Right Panel (19).
- Screw in Cam-bolt (A) to the designated holes on Big Drawer Front Panel (22).

## STEP 8

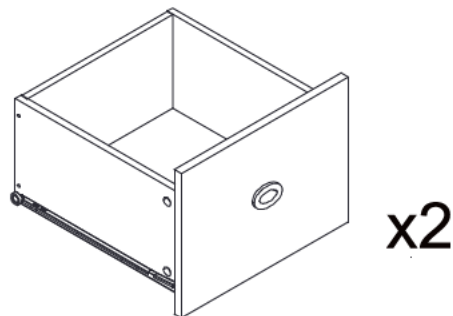
Assemble Big Drawer



- Use Screw (R) to fasten Drawer Left & Right Panel (18 & 19) to Drawer Back Panel (20). Note the alignment of the groove on the panels.
- Fit Drawer Bottom Panel (21) via groove on (18 & 19). Check that the back edge of (21) fits into the groove on (20).



- Attach Drawer Front Panel (22) to drawer side panels via cam-bolts on (22). Insert Cam-lock into designated holes on side panels and turn clockwise to lock onto cam-bolt.



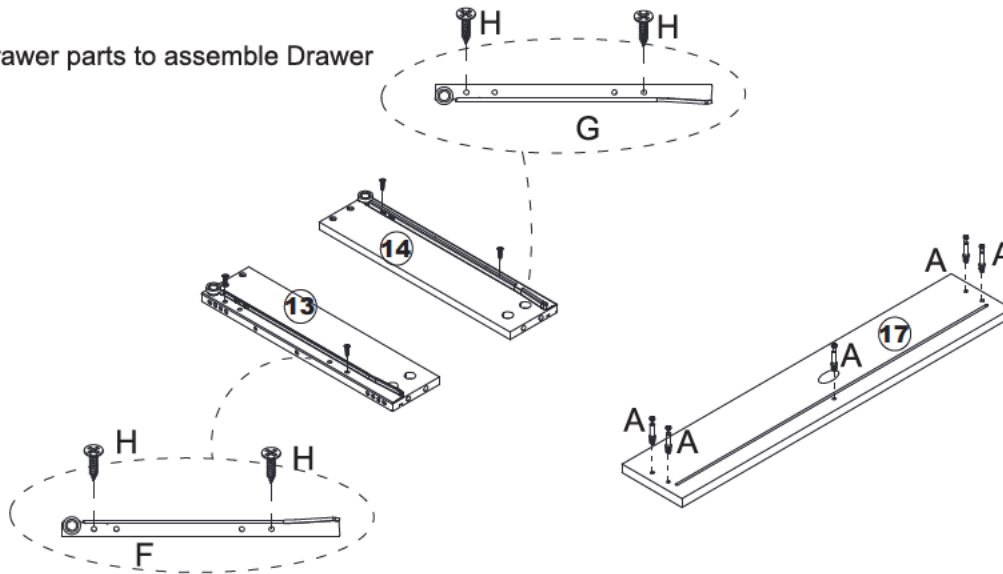
- The assembly of the Big Drawer is complete.



# ASSEMBLY INSTRUCTIONS

## STEP 9

Prepare Drawer parts to assemble Drawer

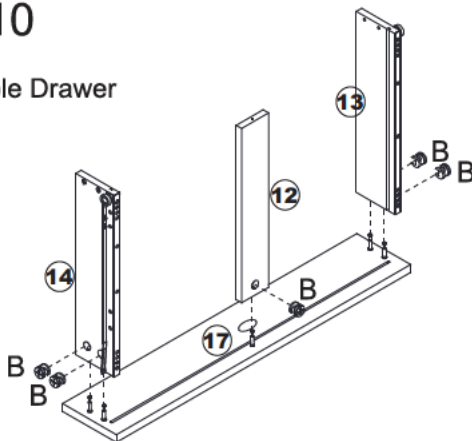


A	x5
F	x1
G	x1
H	x4
3x12mm	

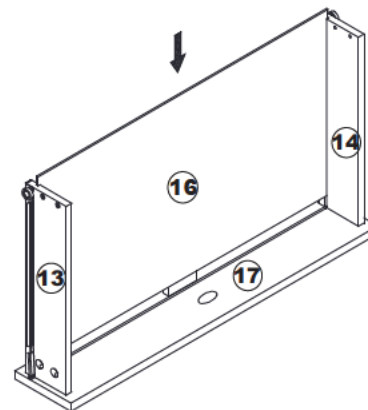
- Lay the drawer parts as shown on a material that does not scratch or damage the parts.
- On the Drawer Left Panel (13) position Drawer Runner (F) to align designated screw holes to the pilot holes on (13). Note the orientation of (F). Use screw (H) to fasten (F). Do not tighten the screws completely until all screws are in place.
- Use the above procedure to fasten Drawer Runner (G) to Drawer Right Panel (14).
- Screw in Cam-bolt (A) into the designated holes on Drawer Front Panel (17).

## STEP 10

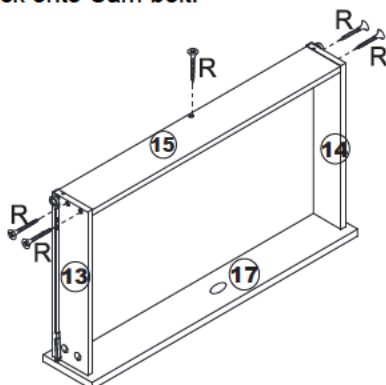
Assemble Drawer



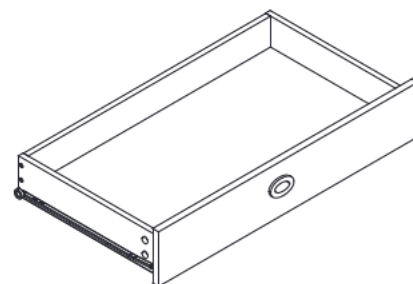
- Attach Drawer Drawer Side Panel (13 & 14) and Drawer Bottom Support Rail (12) to Drawer Front Panel (17) via Cam-bolts on (17). Next, insert Cam-lock into the designated holes on (12, 13 & 14) and turn clockwise to lock onto Cam-bolt.



- Fit Drawer Bottom Panel (16) via groove on (13 & 14). Check that the front edge of (16) fits into the groove on (17).



- Fit Drawer Back Panel (15) between side panels. Check that back edge of Bottom Panel fits into the groove on (15). Use Screw (R) to fasten (15) to 13, 14 & 17.



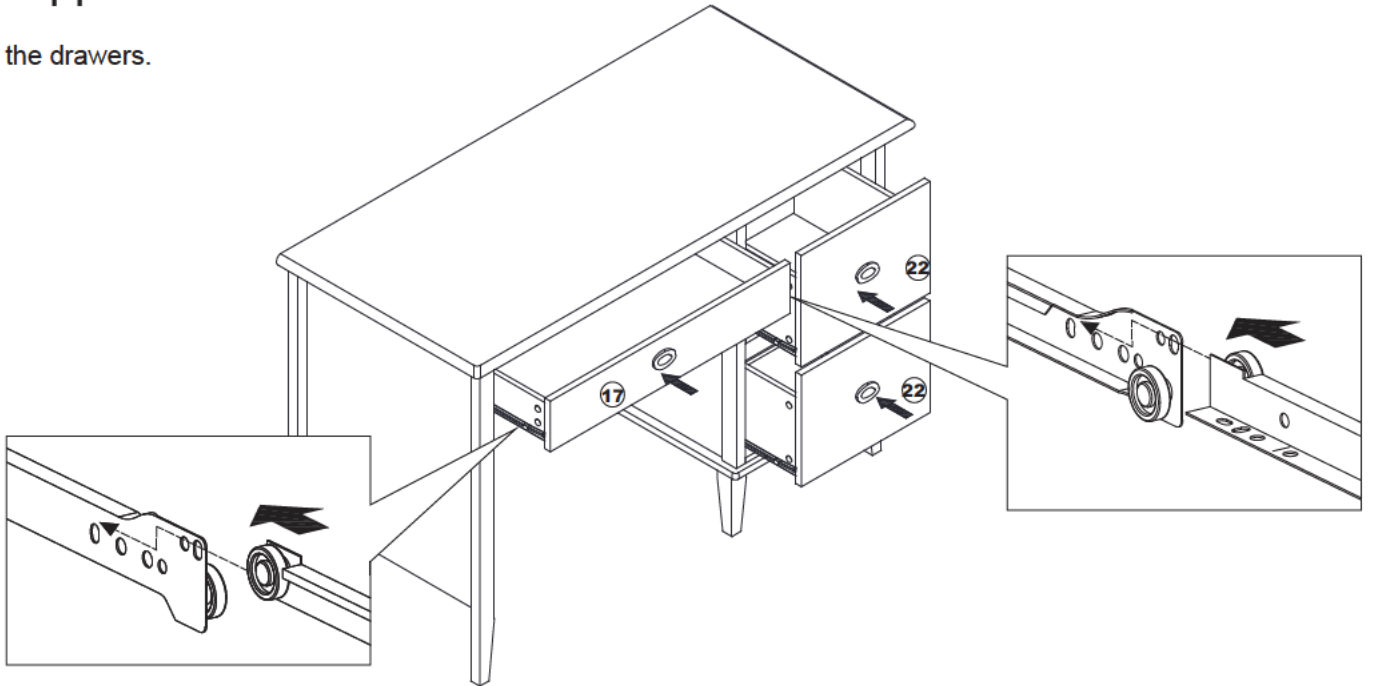
- The assembly of the drawer is complete.

R	x5
4x25mm	
B	x5
Ø15x10mm	

# ASSEMBLY INSTRUCTIONS

## STEP 11

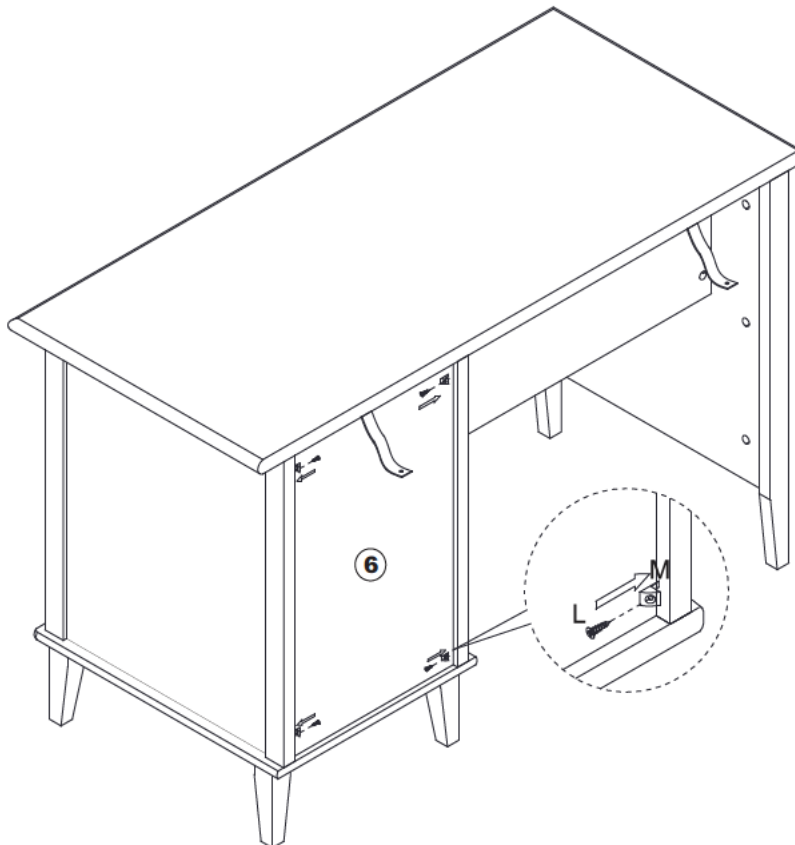
Insert the drawers.



To insert the Drawers:

Position roller on Drawer Runner (on drawer side panel) to be above the roller on Drawer Track (on Right Vertical Panel / Left Frame and Middle Panel), and slide roller on Drawer Runner into the rail on the Drawer Track. Next, push in drawer squarely and gently to allow Drawer Runner to slide into Drawer Track.

## STEP 12



L x4



3x14mm

M x4



Wedge Panel Stopper (M) at each corner as shown to fit into the groove and against Back Panel (6), and then fasten (M) with Screw (L).

# ASSEMBLY INSTRUCTIONS

## STEP 13

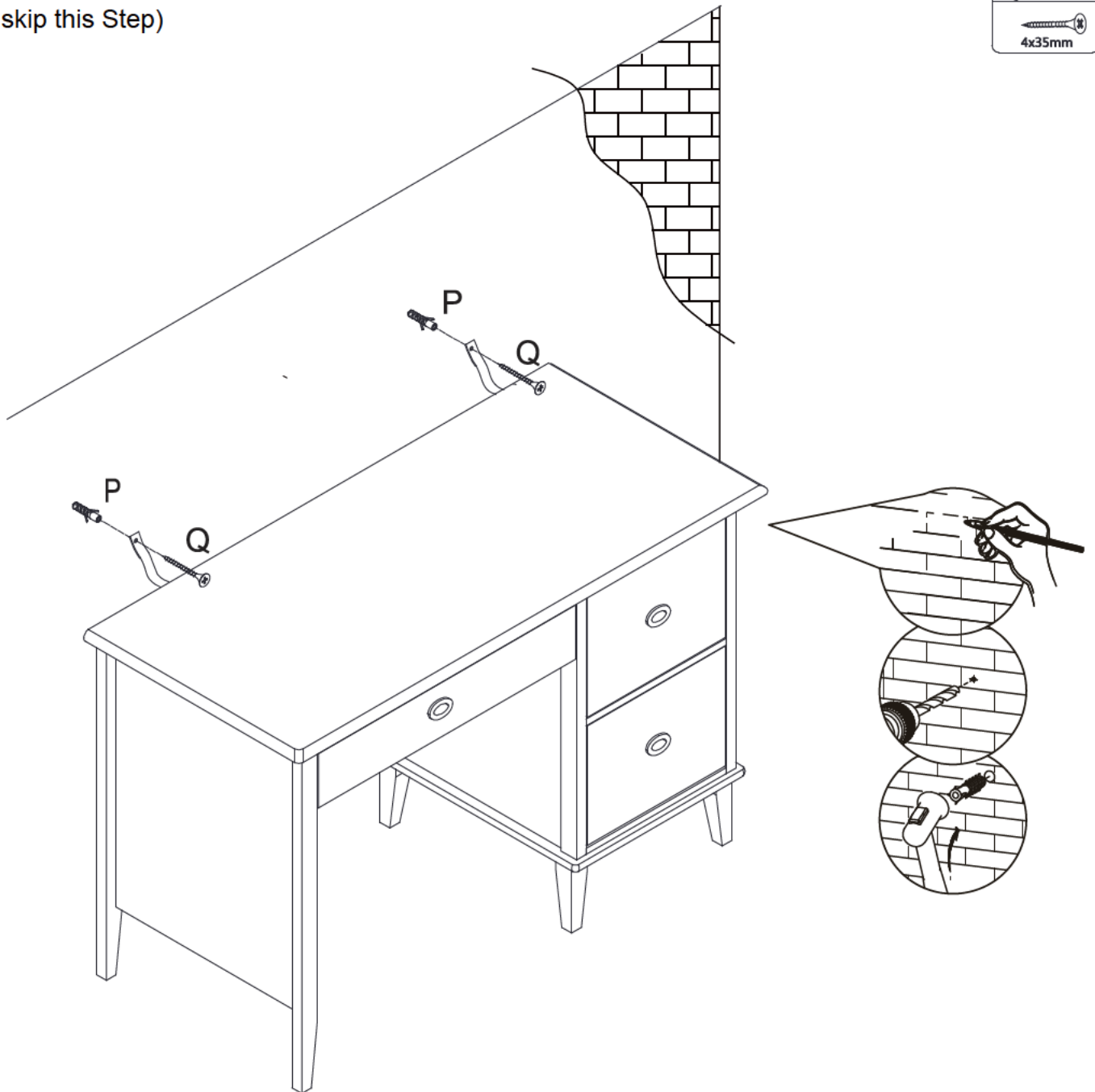
Secure Desk.

(Do not skip this Step)

P x2



Q x2



- Select the location to place the Desk.
- Mark the location on the wall where each Safety Strap (N) is to be anchored which will be the location for Wall Anchor (P).
- On each marked location, drill a hole in wall that will fit (P).
- Fit (P) into the drilled hole. Ensure that the Wall Anchor fits securely in the wall.
- Use Screw (Q) to affix the free end of Strap (N) to the Wall Anchor (P).

The assembly of the Desk is complete.