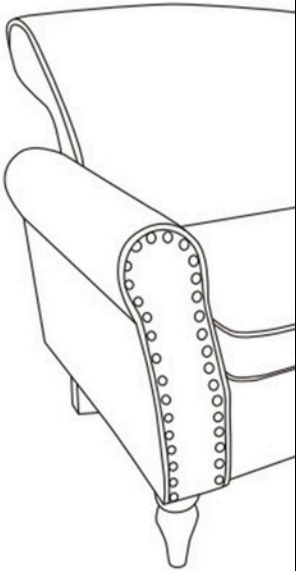


Instruction Manual



WARRANTY

We strive to offer high quality product and we also try our best to satisfy each customer that order from us, no matter on products or services as needed. Each customer receives a record of their order, such as the order number or item receipt. For any items that are out of warranty period, you may still be able to purchase the replacement parts from our company if they are available.



Are you having difficulty
with assembly? Missing parts?
Please contact us

send an email with your order No. to us
For return, please check the return policy with
the retailer or platforms you bought from.
Appreciate your purchasing from us.
Pop up your life by our furniture !

MAINTENANCE AND WARNING

Please read the manual thoroughly
before you start installing.

Please keep the product away from
sharp object.

Packaging and small parts may have
chocking hazard, please keep them away
from children and pets.

Please clean the product according to each
clean code, check the product description
for more information.

Please keep the product away from fire.

If you have any other questions, please
contact us, we will be glad to help you out.

If the product is placed under direct
sunlight, the pattern or color might fade
away overtime.

Check the product periodically to make
sure everything is secured and tightened.

Always use proper tools for installation.

Do not jump on the product.



Around 25 min

PRDOUCT DESCRIPTION

With its tufted Diamond design, it offers a refreshing air of sophistication to your home.

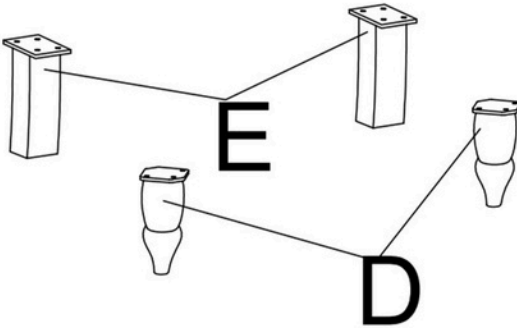
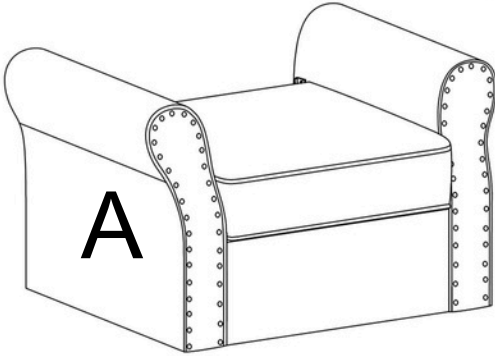
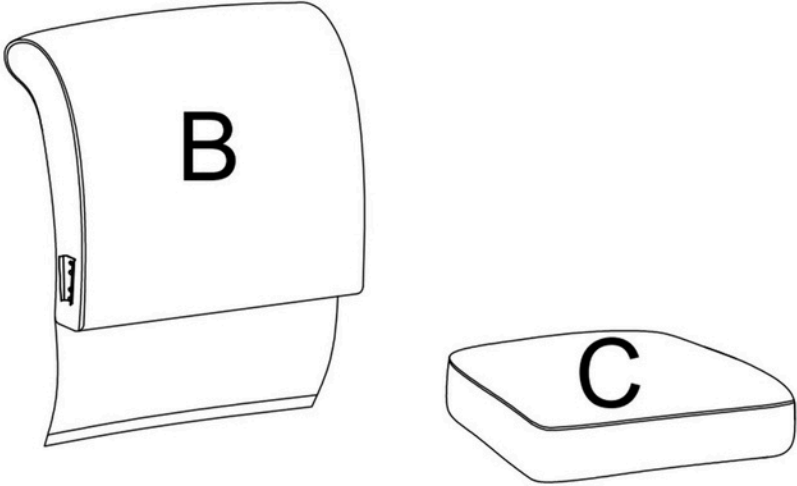
This relaxing armchair will make a statement in any room It resides in.

The delightful charm that the lovely contemporary style embodies.

Set it in your living room, office, bedroom, or sitting room. Its handsome brown color will Complement most Furniture sets.

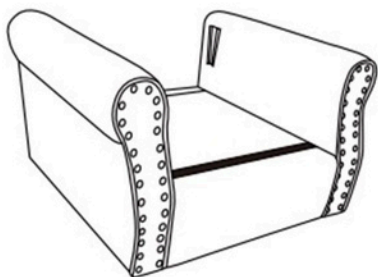
It is constructed with a high-quality sturdy wood frame that lasts long.

EXPLODED VIEW



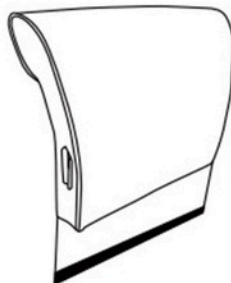
PARTS

A*1



Seat

B*1



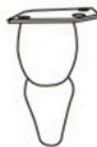
Backrest

C*1



Cushion

D*2



Front legs

E*2



Back legs

HARDWARE

TOOL LIST

NOTE: Designated with (★) We provide additional spare parts in the hardware package

①*14

M6*20mm



★ Bolt

②*1

M6

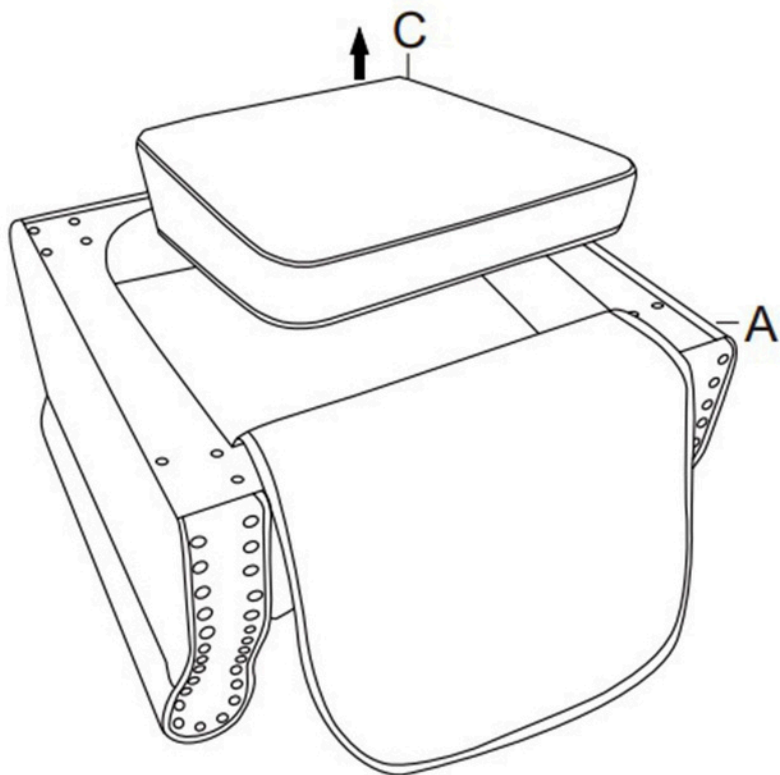


Allen Key

Please make sure all hardware&packing material fitting the list. Especially some small accessories may be missing during transportation. Please contact us if you have any question.

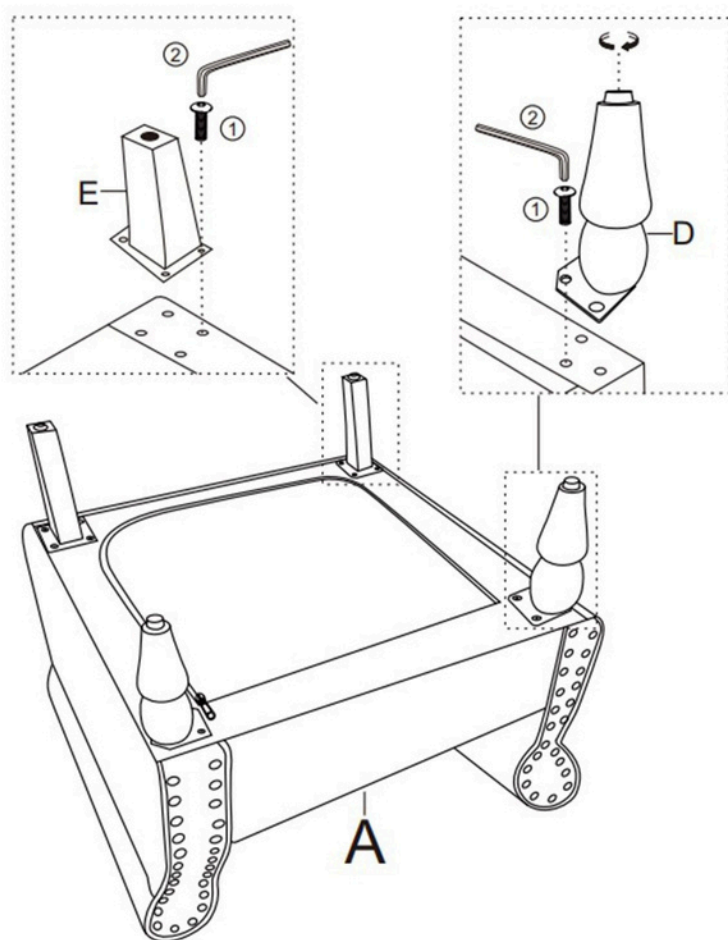
step 1

Turn the seat frame (A) upside down on a clean surface as shown, carefully take out the seat cushion (C) out from the bottom of the seat frame.



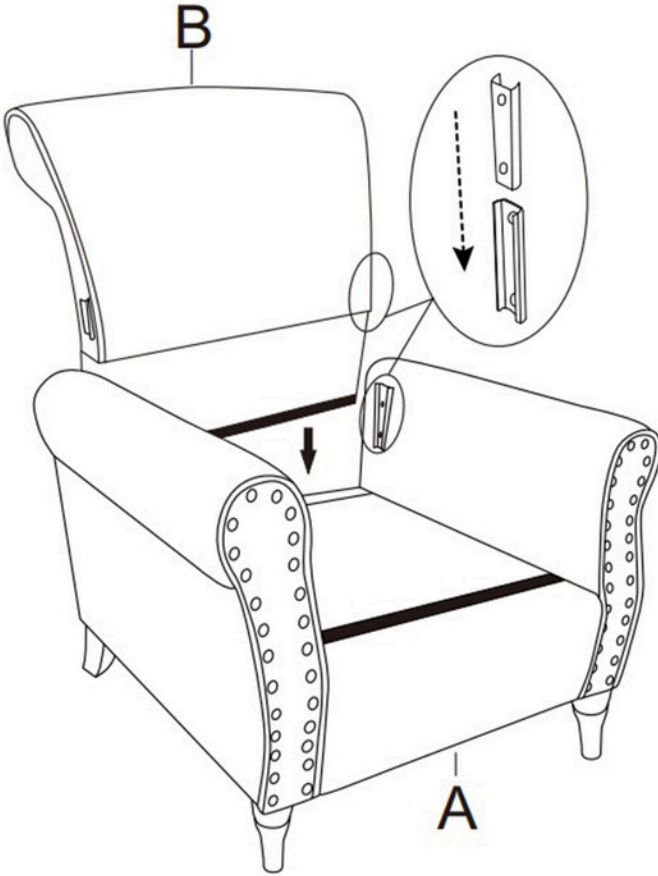
step 2

Install the front legs (D) and rear legs (E) onto the seat frame (A) as shown. Use the allen wrench (2) provided to tighten the bolts (1), make sure all the bolts are fully tightened before next step.



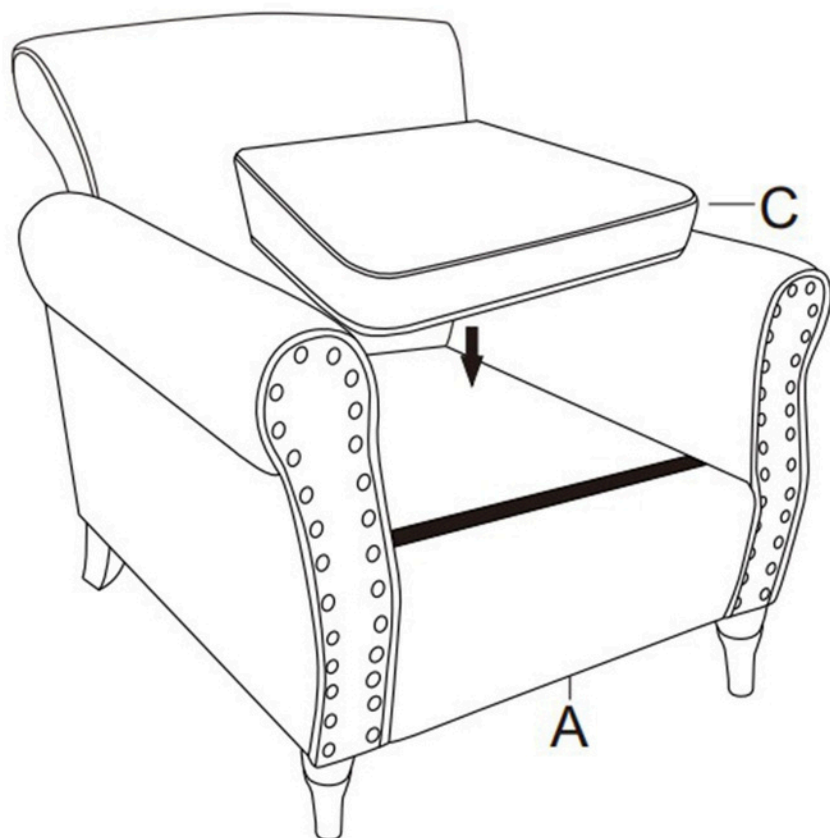
step 3

Install the backrest (B) by inserting the connectors into the slots on the seat frame (A) as shown, make sure both connectors are correctly aligned before pushing down.



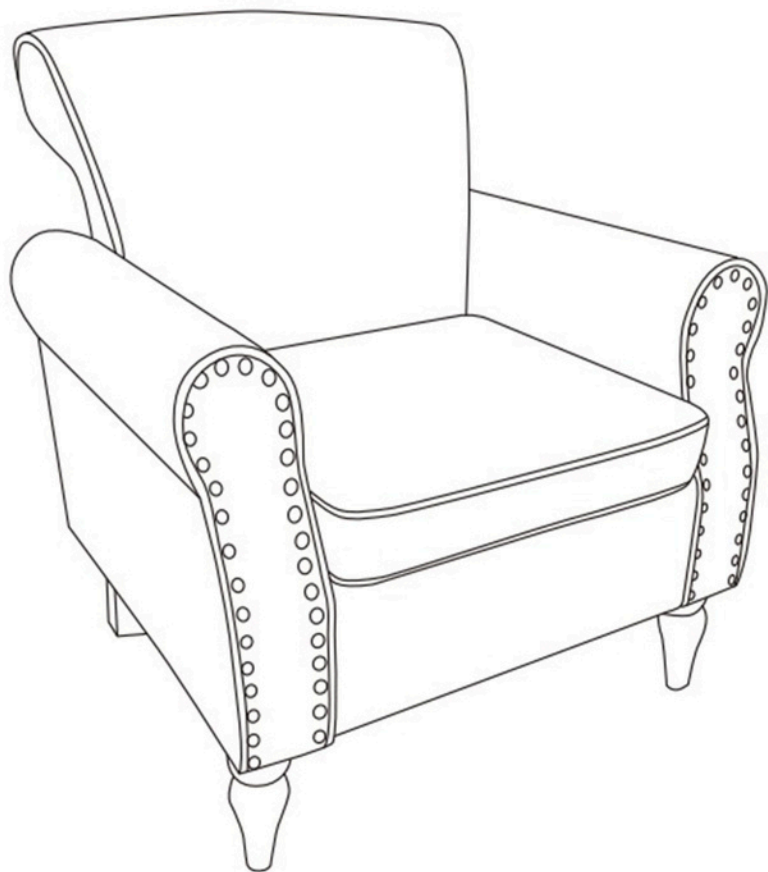
step 4

Place the seat cushion (C) onto the seat as shown.



step 5

Congradulations, the assembly is complete! Thank you again for choosing our product! Please enjoy!



step 6

Please note: the legs of the chair can be adjusted by twisting the leveler on the tip of the legs as shown, it can help you use this chair on ground that is not flat, please check before you use the chair.

