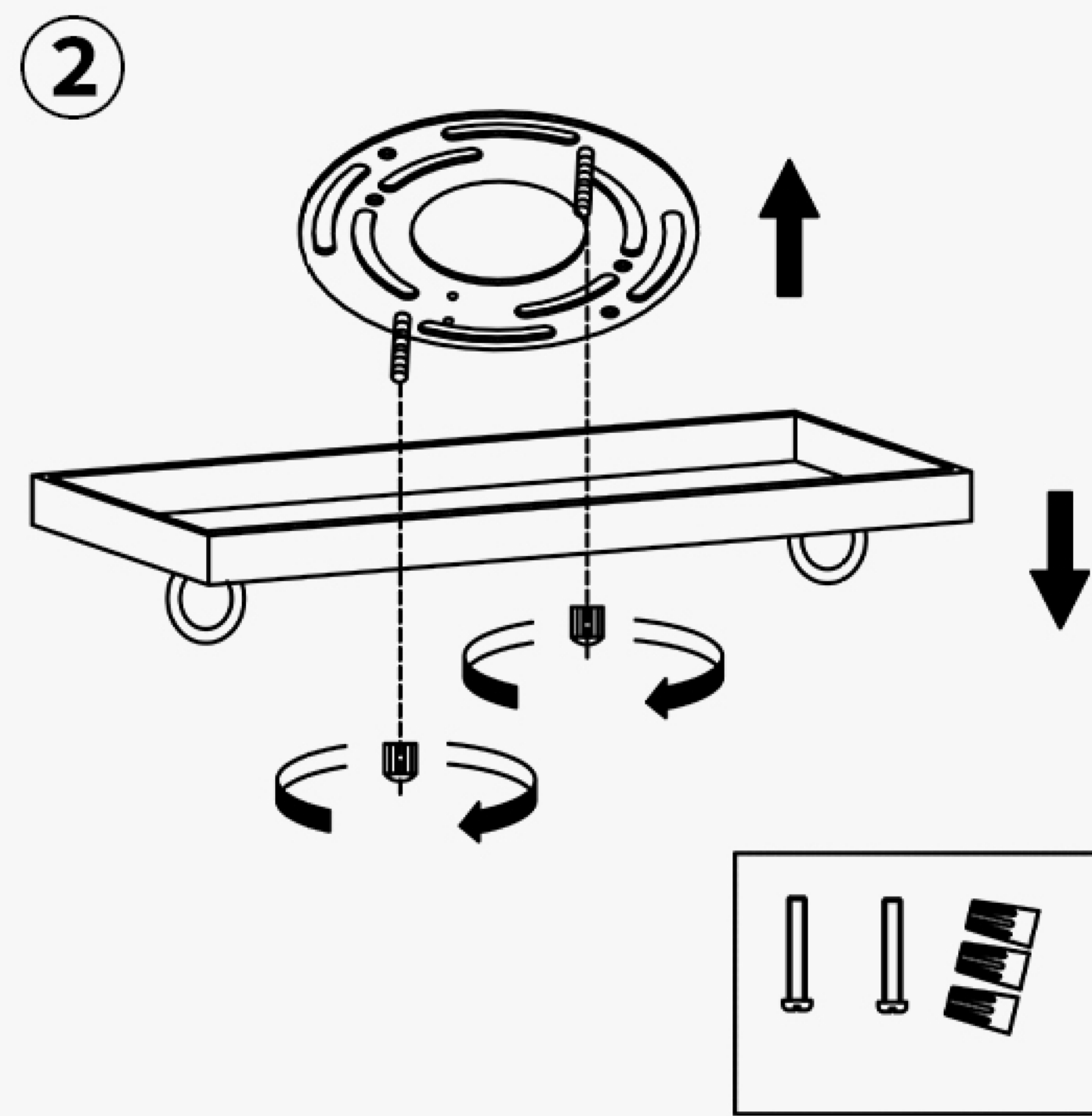
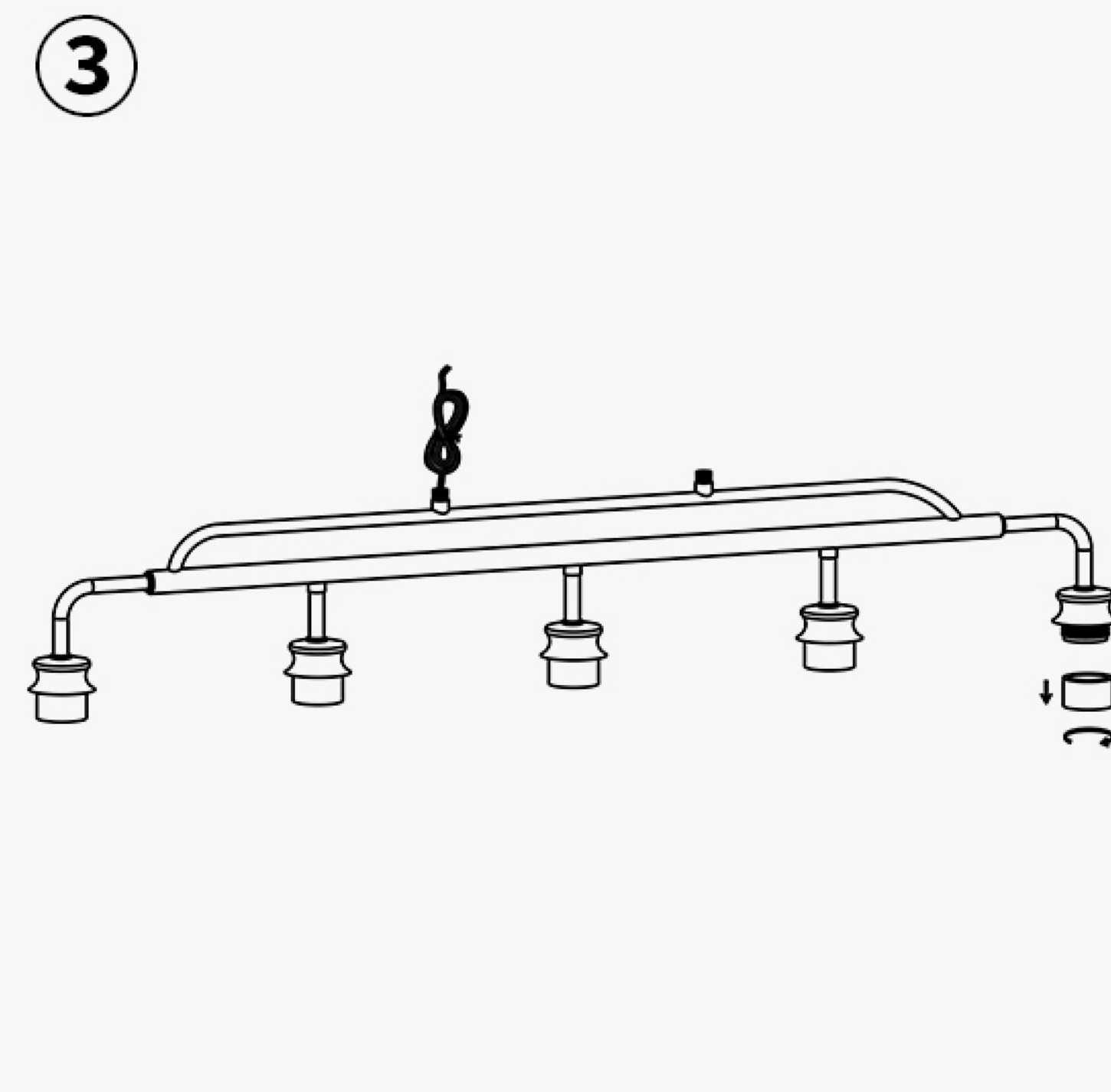


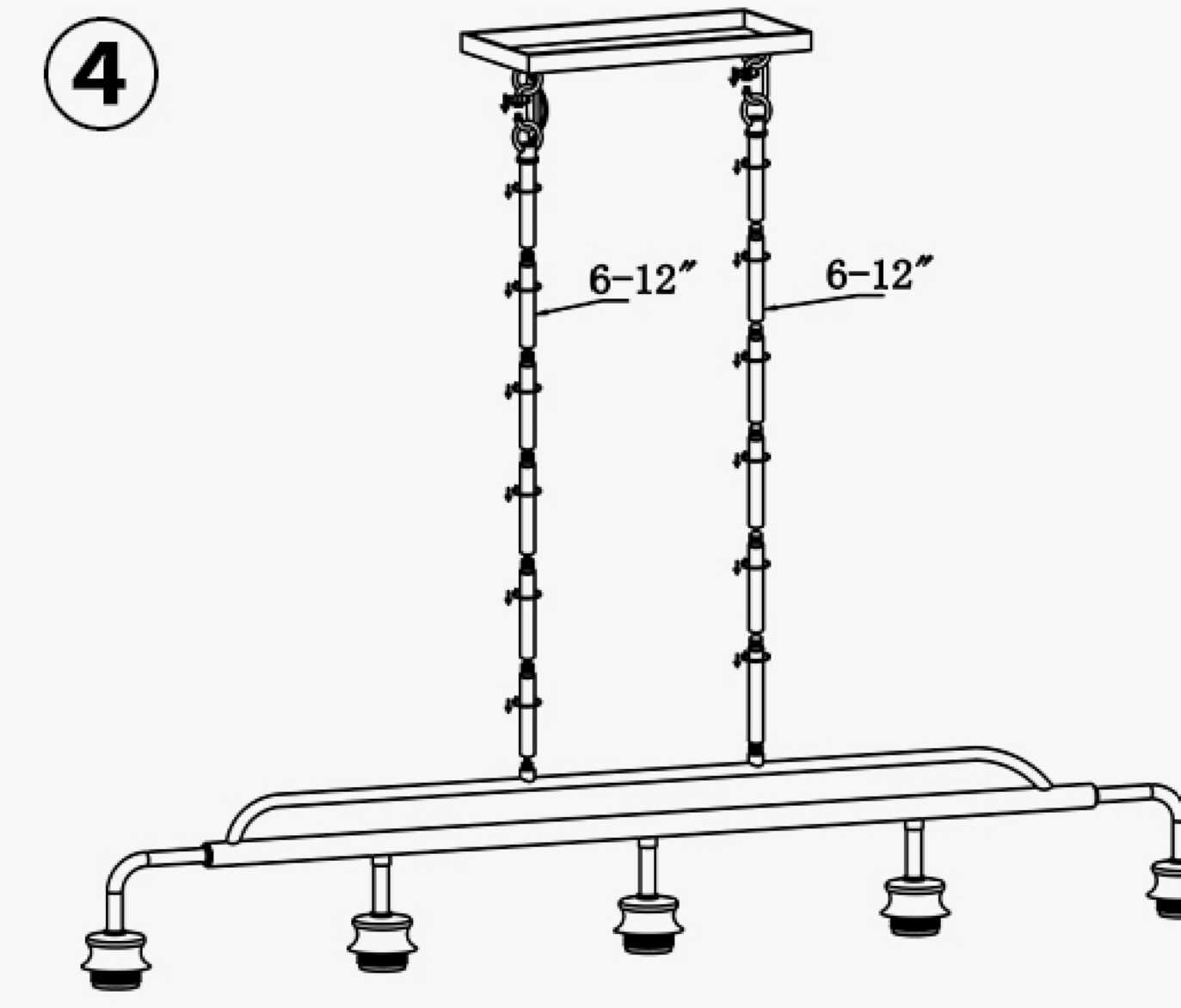
1. Turn off the power.



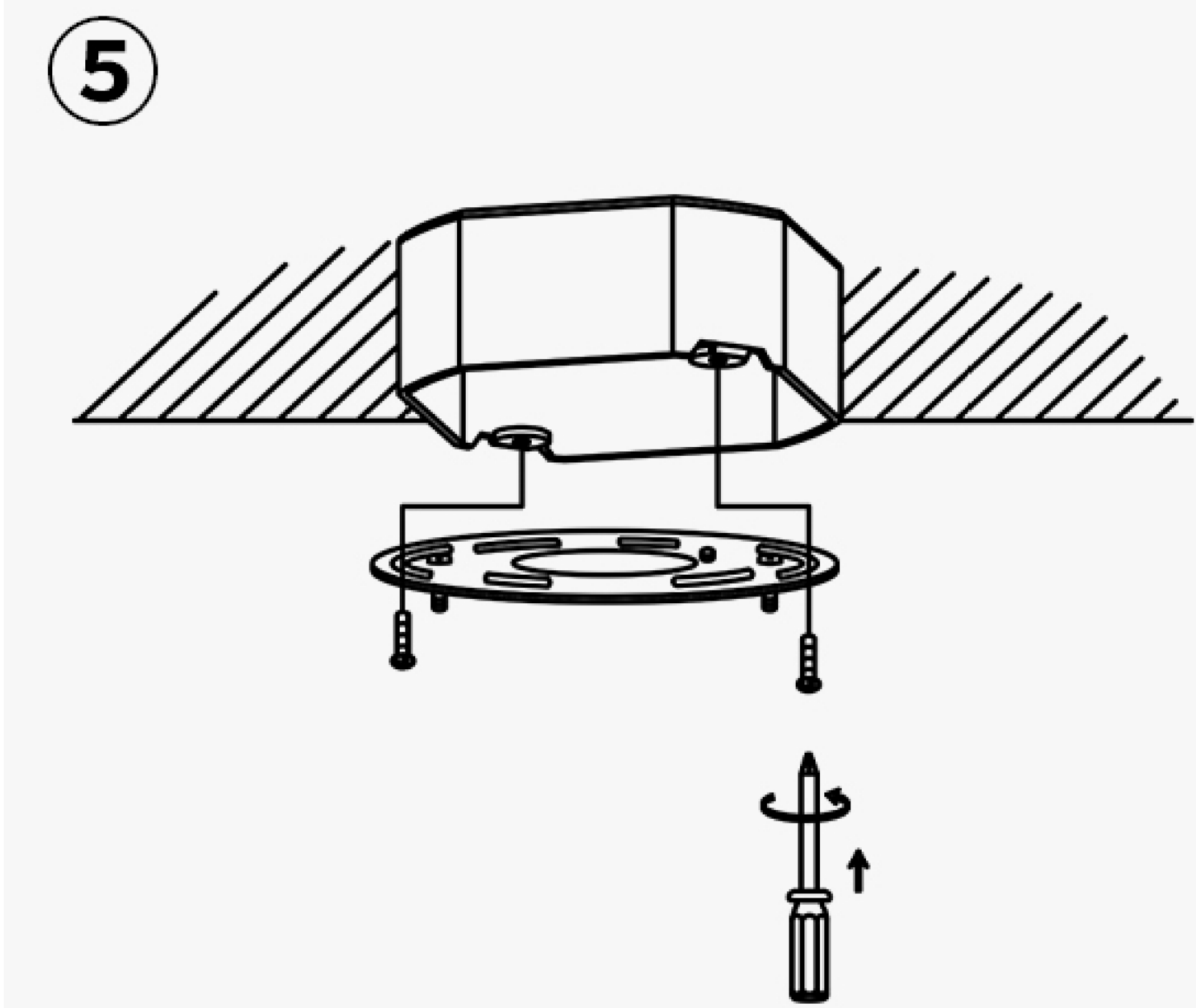
2. Unscrew the two nuts (F) on the canopy (E).



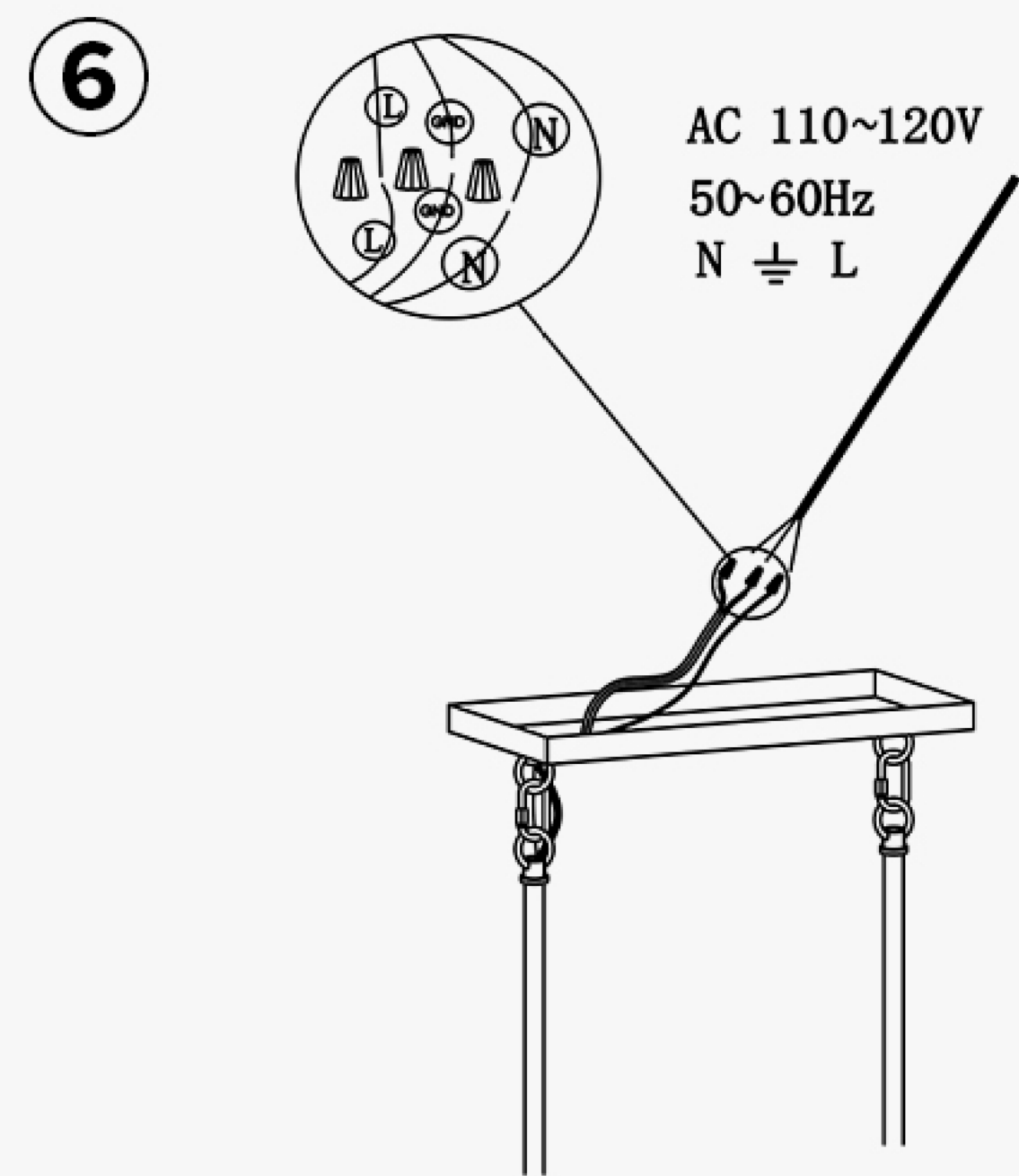
3. Unscrew all socket rings (K) on the light frame (J).



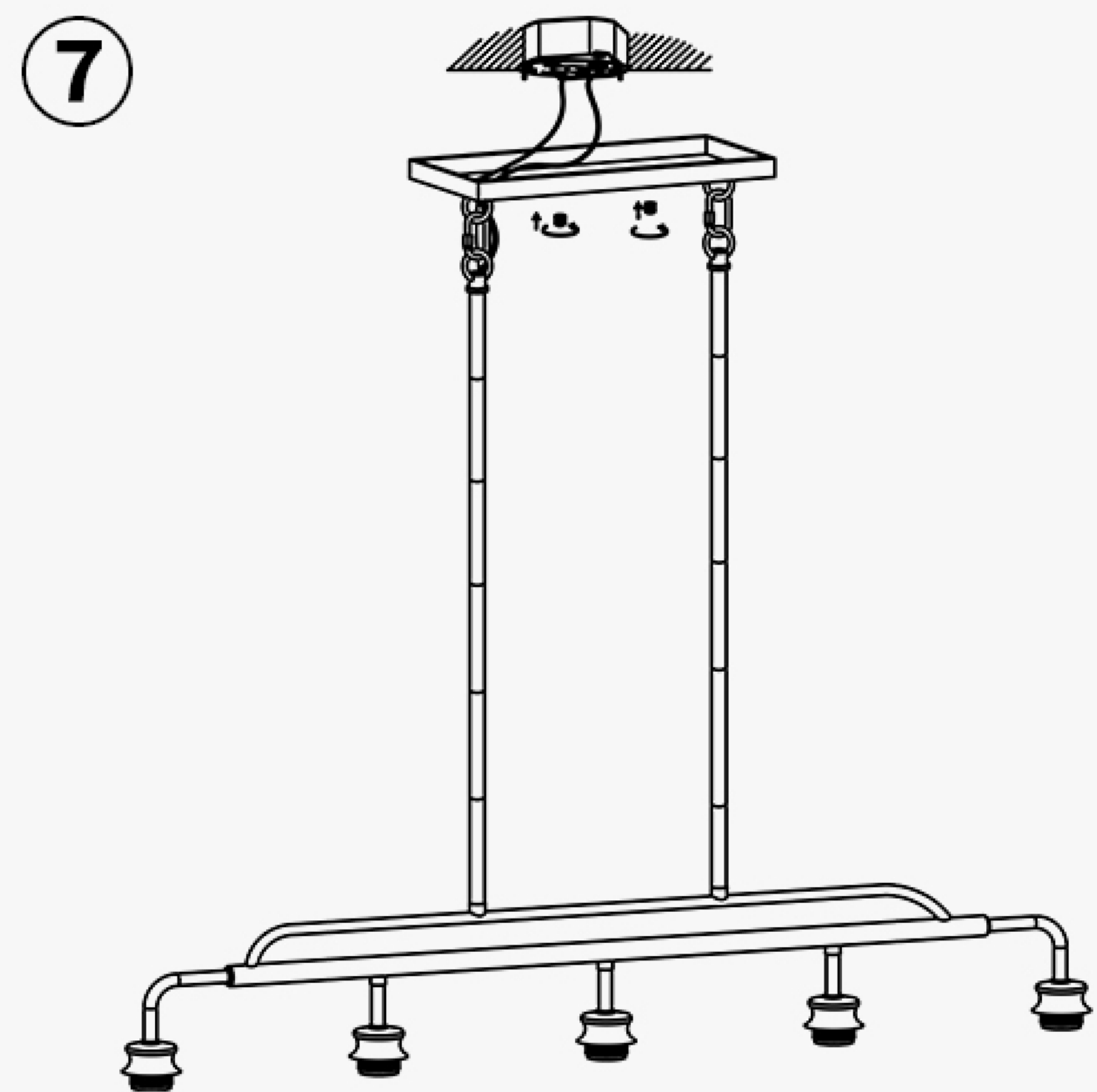
4. Twist the rods (H)(I) from the bottom up, when twisting the wires through each rod, the top one should be with a ring, and finally the ring on the canopy and the rod connected to the ring, set into the buckle (G).



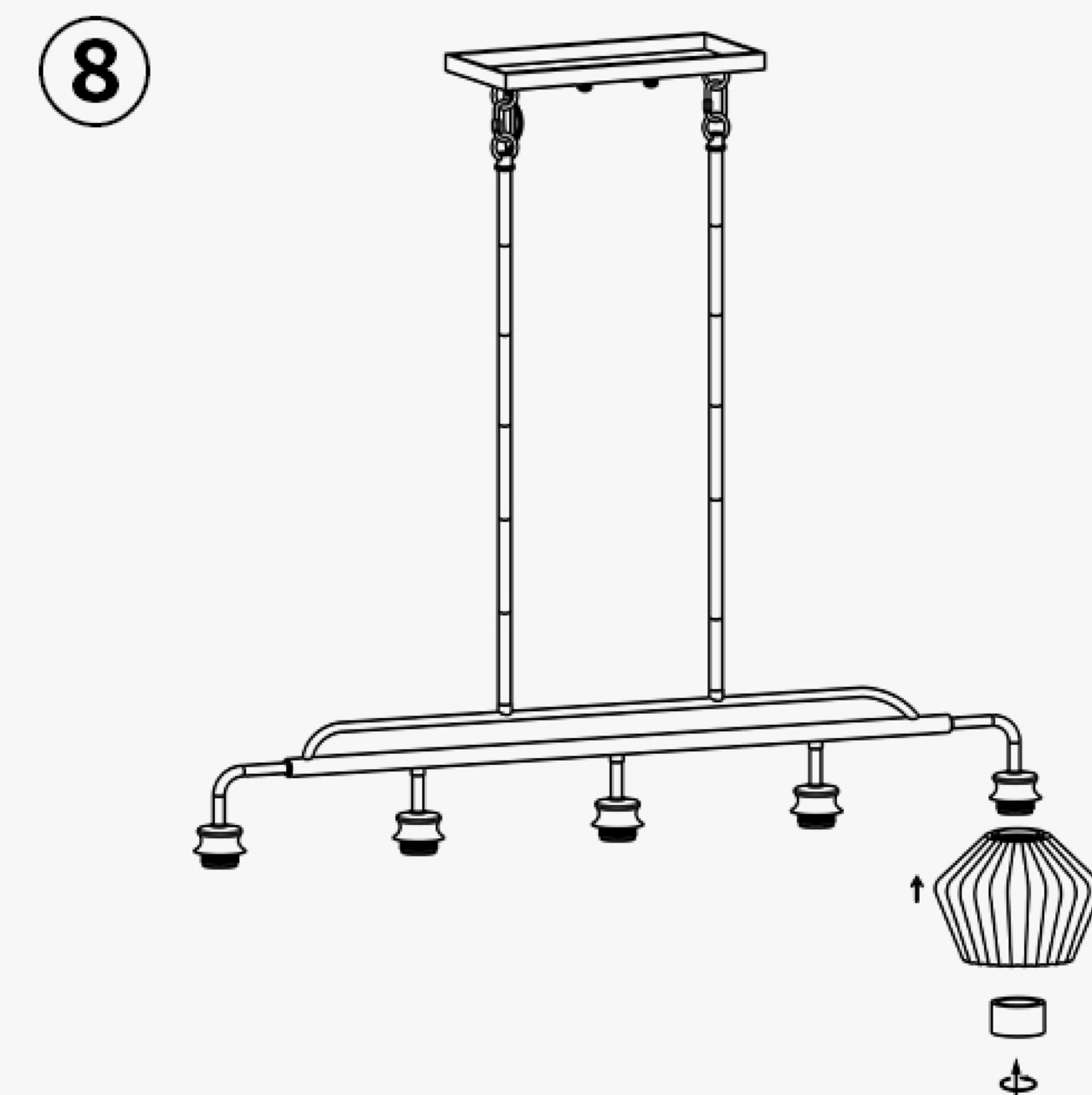
5. Install the mounting plates (D) with two screws (B) on the junction box (A).



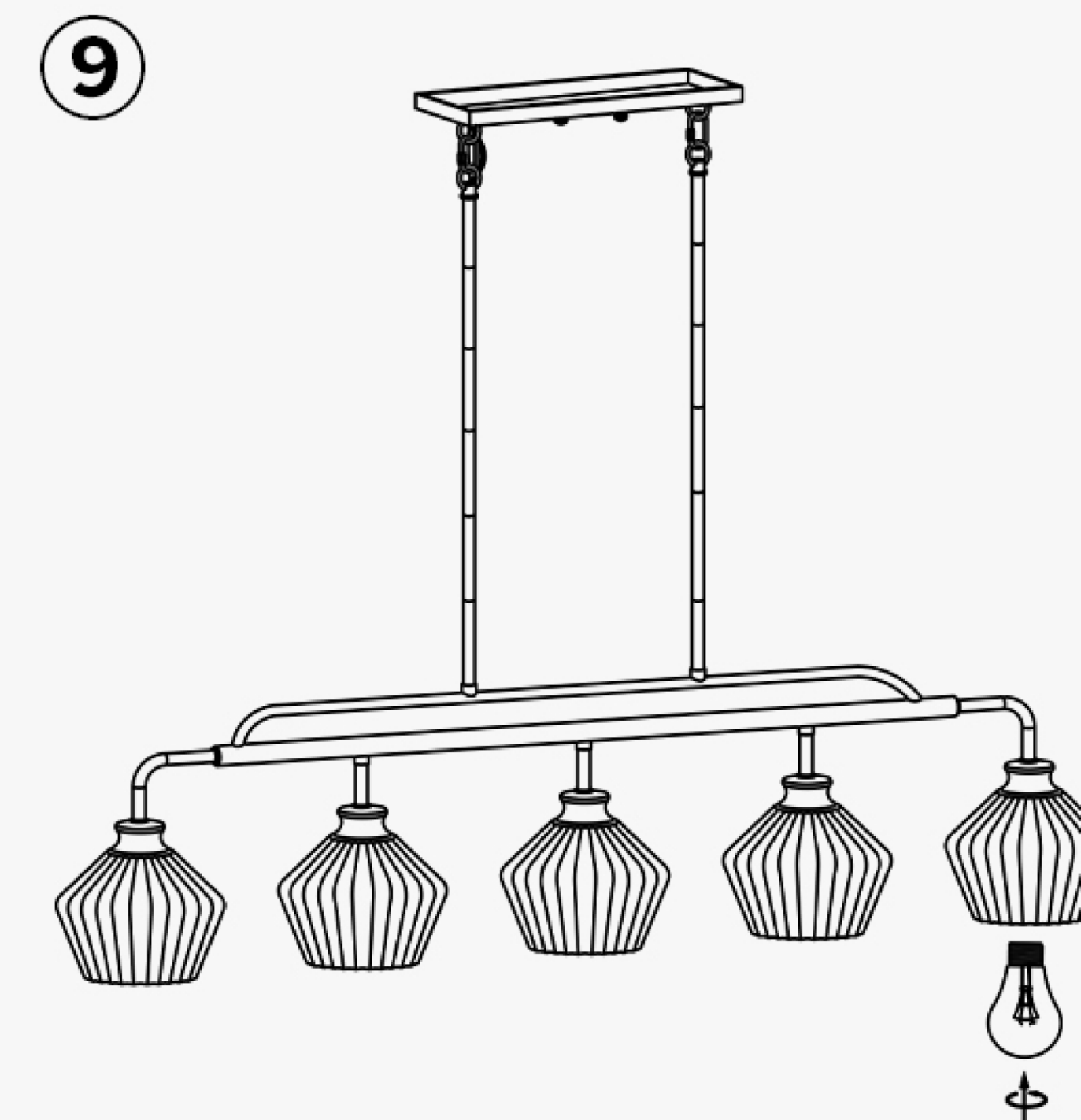
6. Positive and negative poles, the ground wire should be connected to the wire, and the electrical tape wrapped with the wiring cap (C).



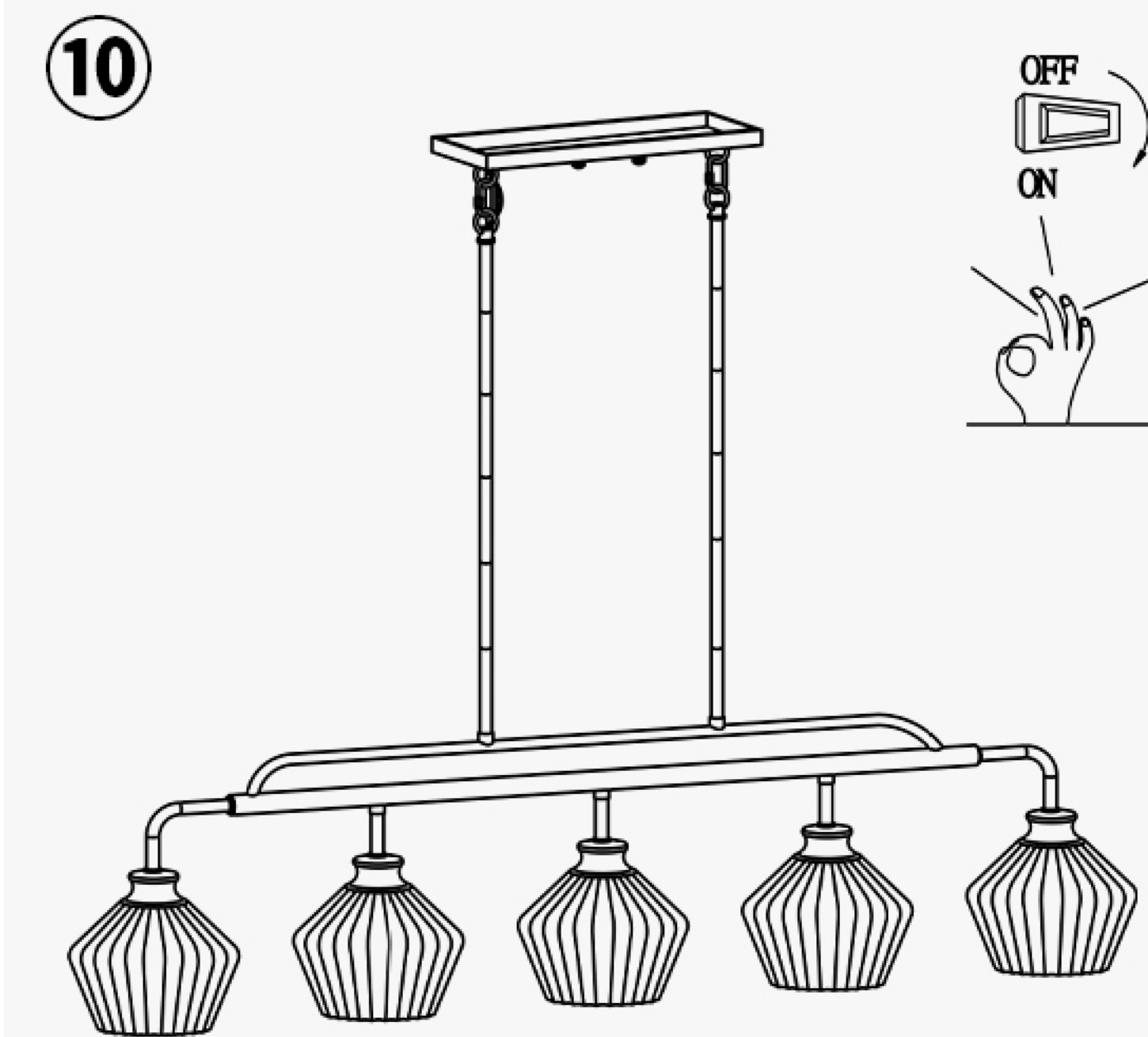
7. Lift the whole lamp upward, fix the screws in the two holes of the canopy (E), tighten the nut (F), and hang the lamp frame.



8. Glass shade (L) hole aligned with the lamp head, and then tighten the socket ring (K).

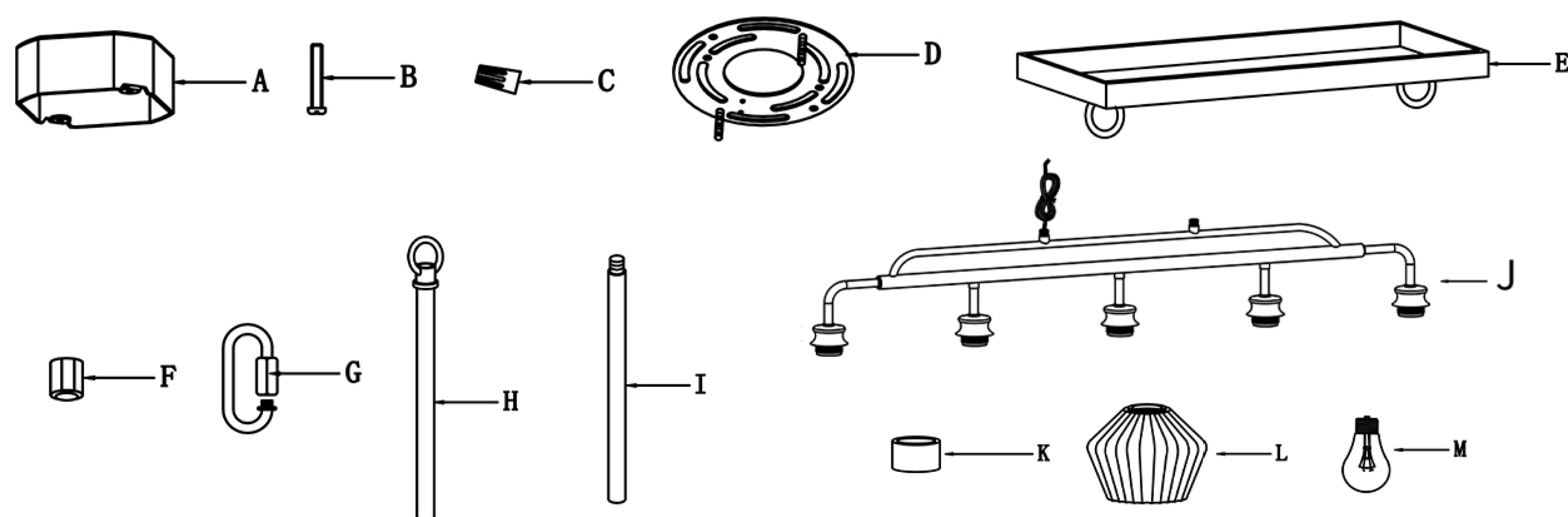


9. Install the bulbs (Not Included)



10. Finised, turn on the light.

Accessories:



A: Junction Box*0

B: Screws*2

C: Wiring Cap*3

D: Mounting Plate*1

E: Canopy*1

F: Nut*2

G: Buckle*2

H: Rod+Ring*2

I: Straight Tube*10

J: Light Frame*1

K: Socket Ring*5

L: Glass Shade*5

M: Bulb*0

Notice: This light fixture should be installed in accordance with all applicable, local installation codes, and by a person familiar with the construction and operation of it, as well as the hazards involved. Inspect items and contents carefully. If any damage or defect is found, do not install it.