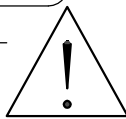
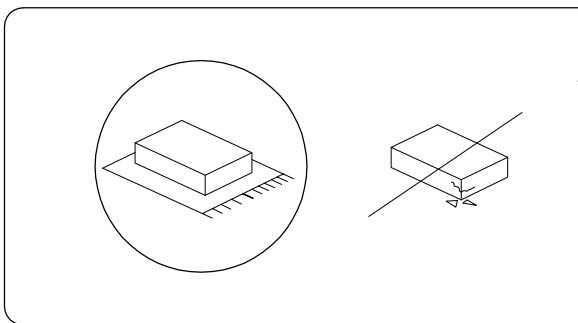
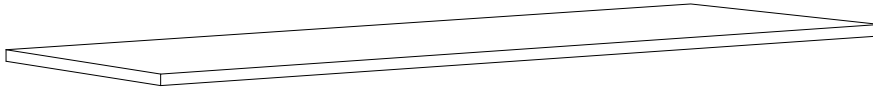


80'

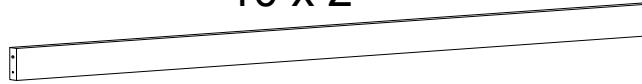
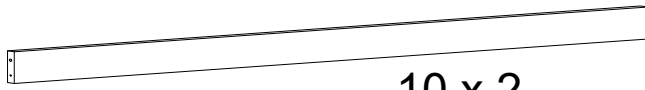


2

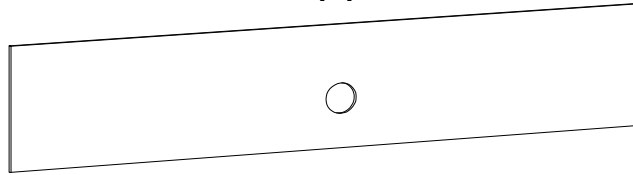
7



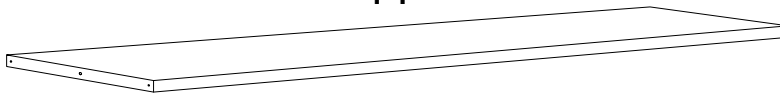
10 x 2



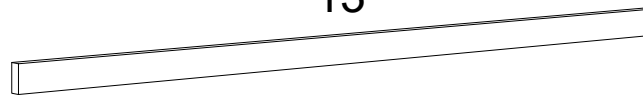
14



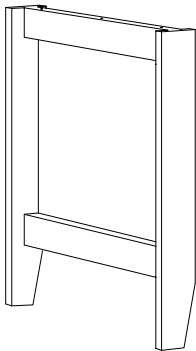
11



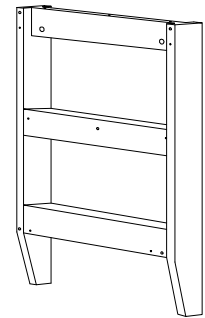
13



8



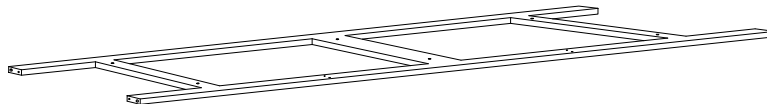
9



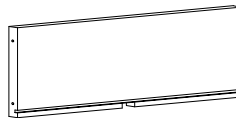
15 x 2



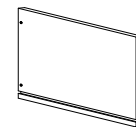
12



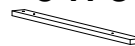
4 x 3



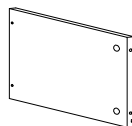
3 x 3



6 x 3



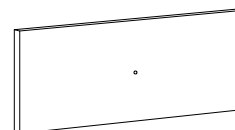
2 x 3



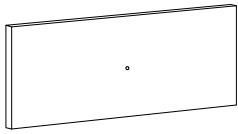
5 x 3



1 x 3

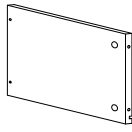


1



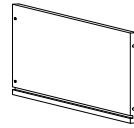
x 3

2



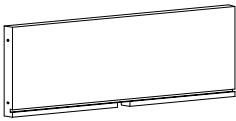
x 3

3



x 3

4



x 3

5



x 3

6



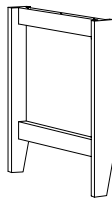
x 3

7



x 1

8



x 1

9



x 1

10



x 2

11



x 1

12



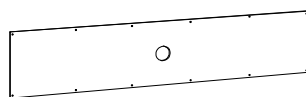
x 1

13



x 1

14



x 1

15



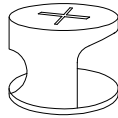
x 2

A



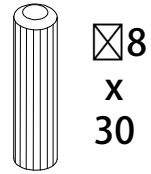
x 38

B



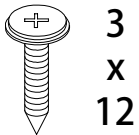
x 38

C



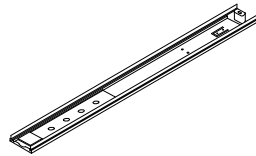
x 18

D



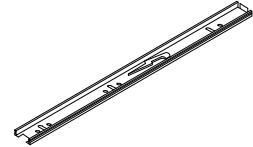
x 12

E



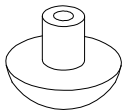
x 3

F



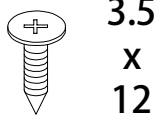
x 3

G



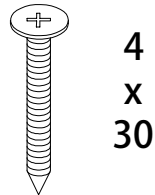
x 3

H



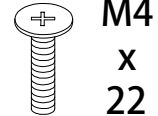
x 12

I



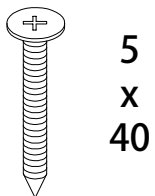
x 3

J



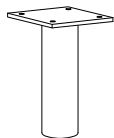
x 3

K



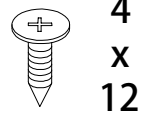
x 12

L



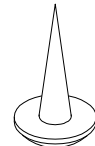
x 1

M



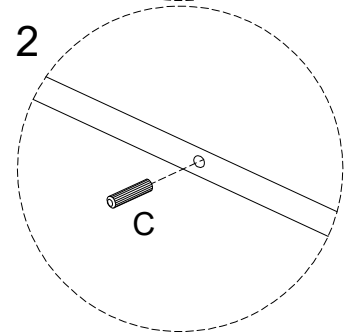
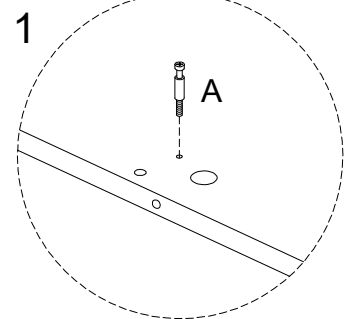
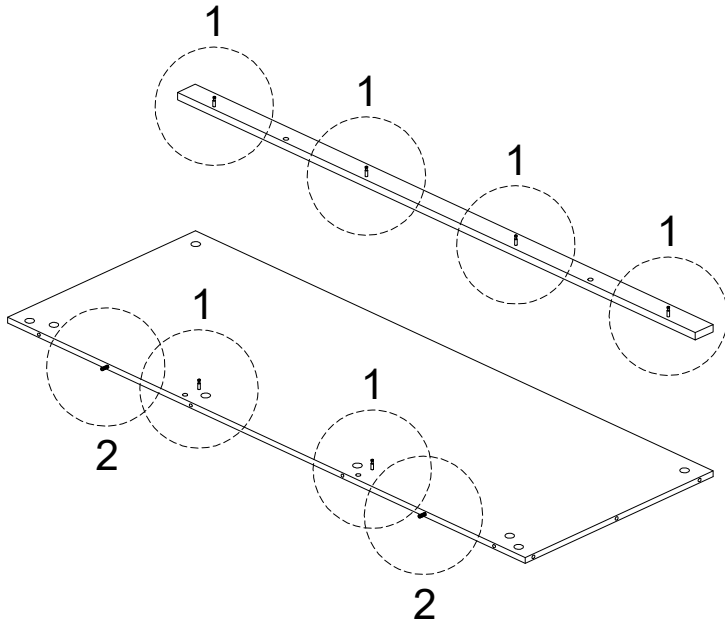
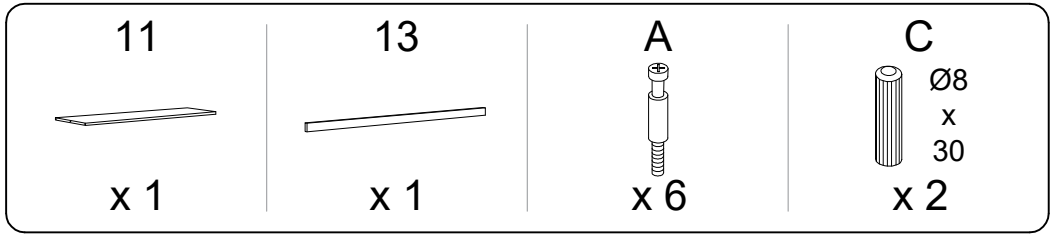
x 4

N

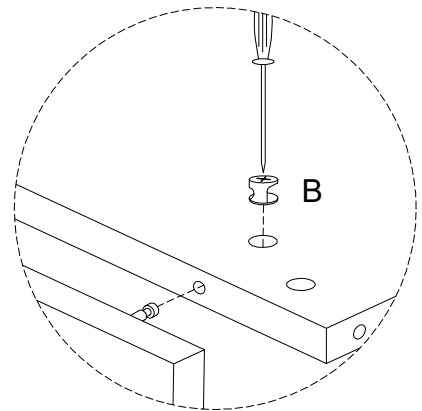
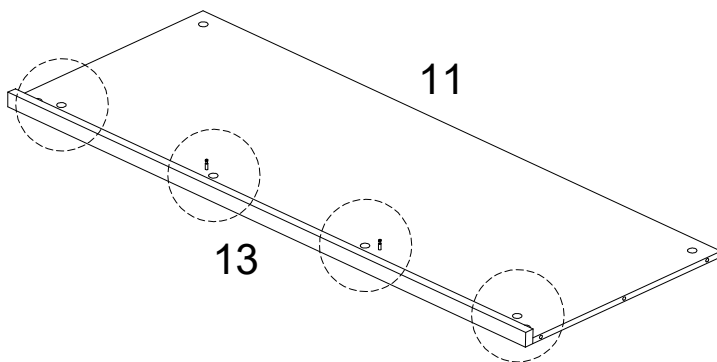
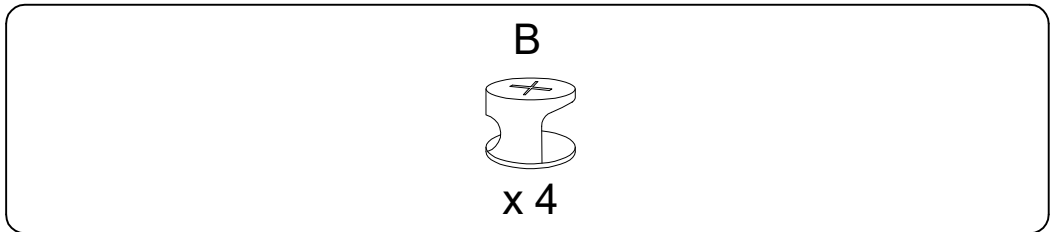


x 4

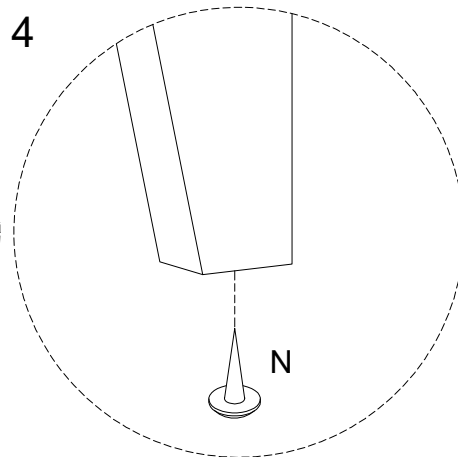
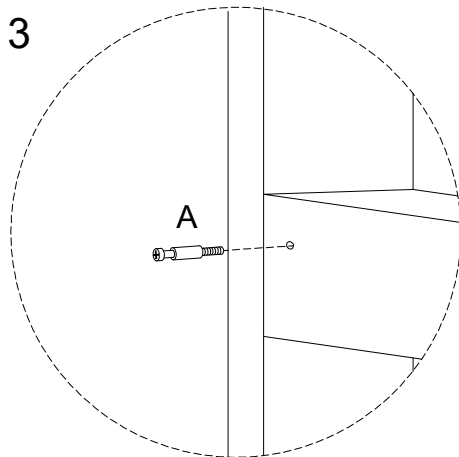
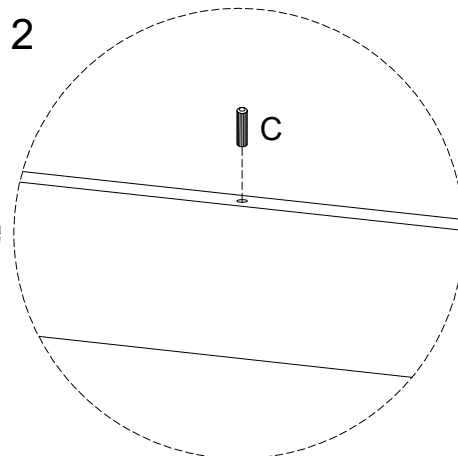
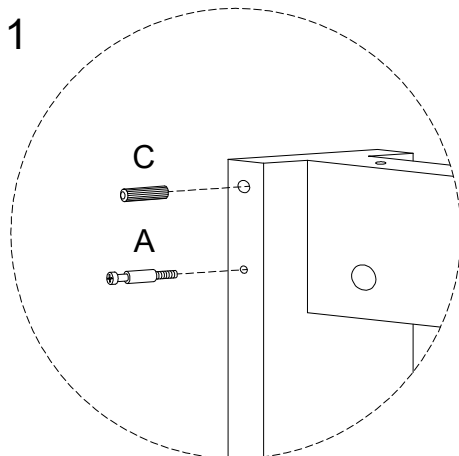
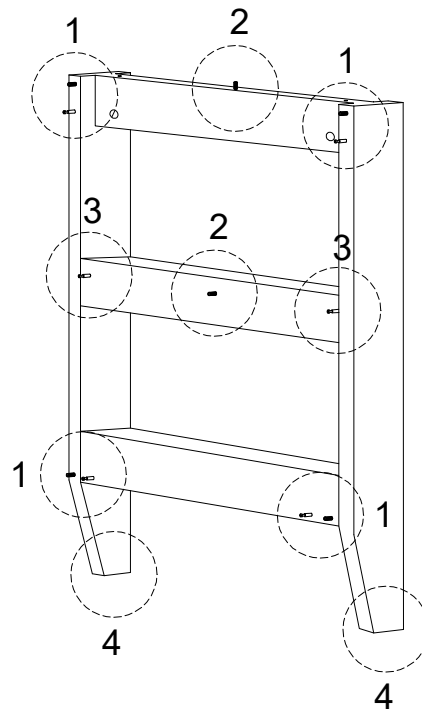
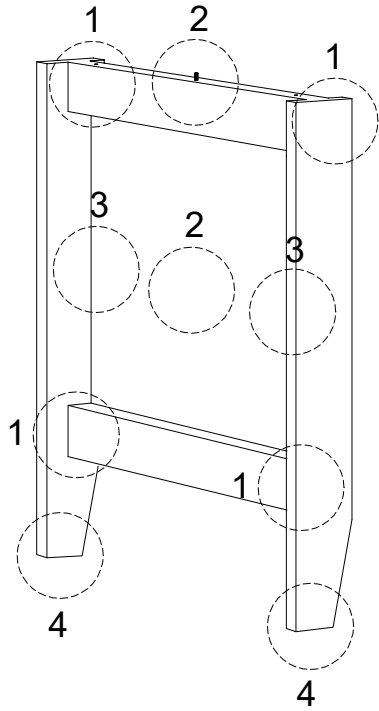
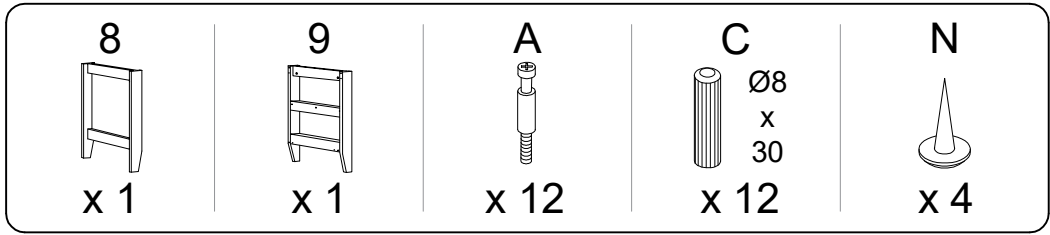
1



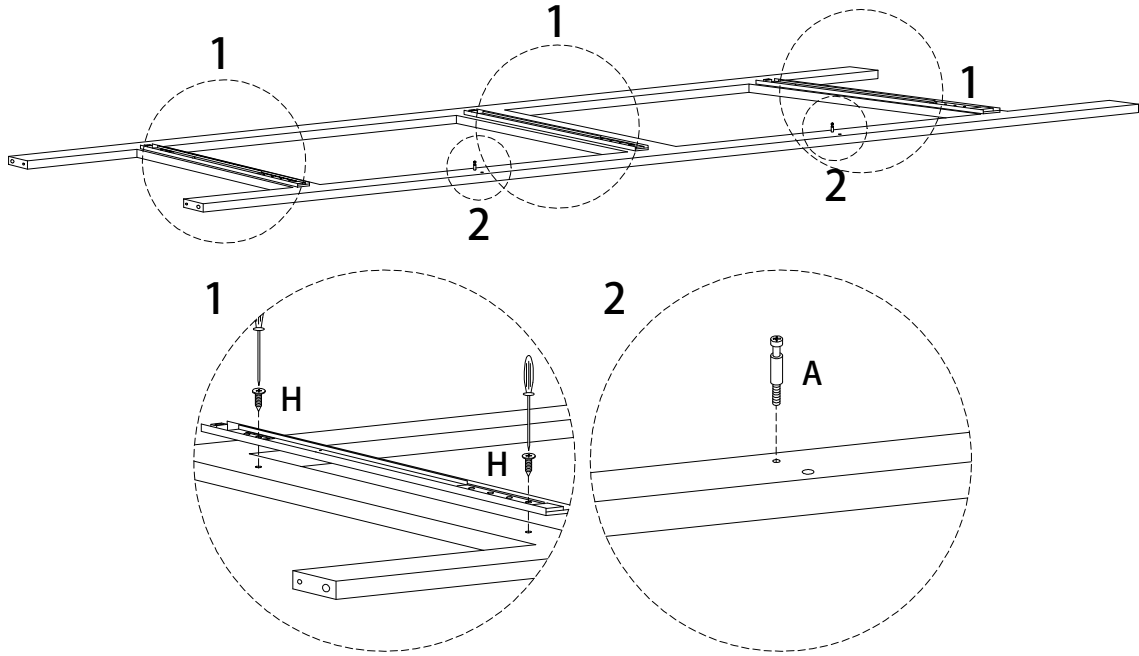
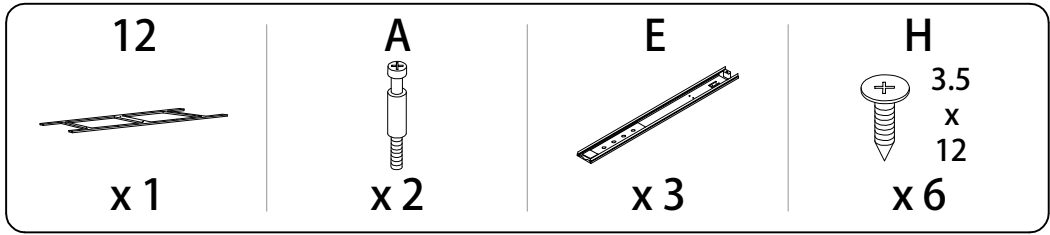
2



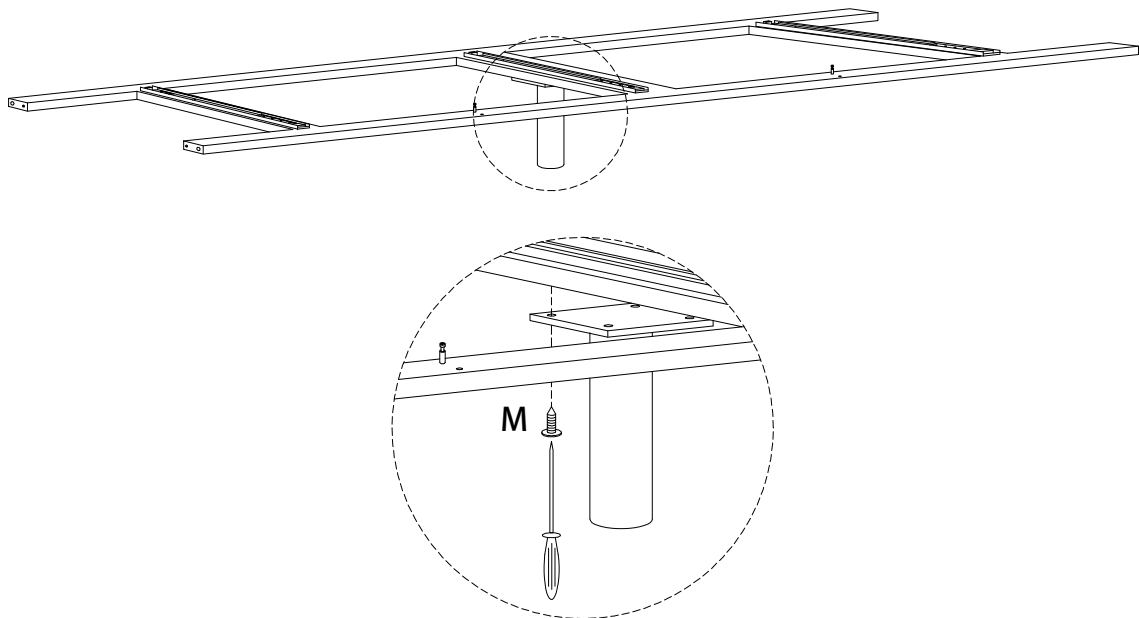
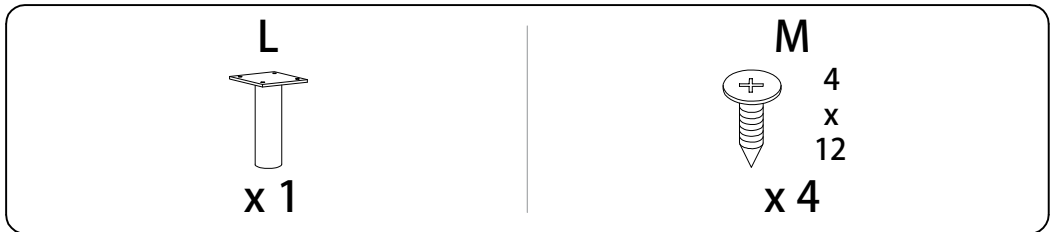
3



4

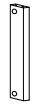


5



6

15



x 2

B



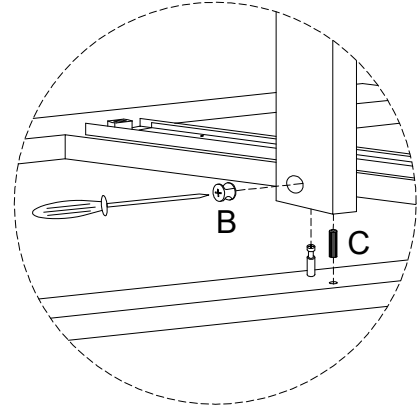
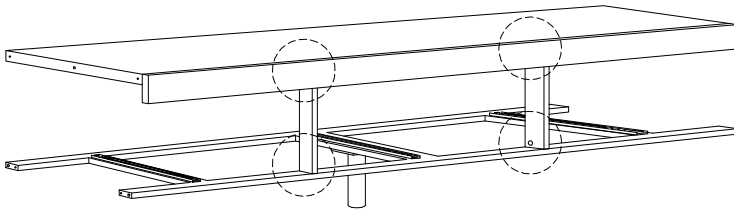
x 4

C



Ø8
x
30

x 4



7

10

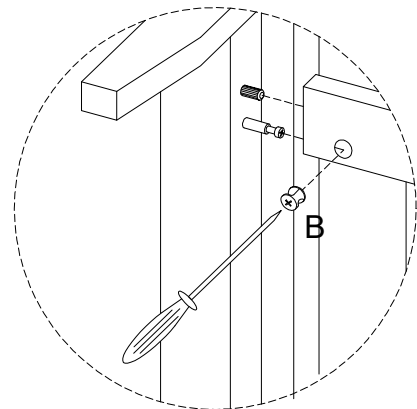
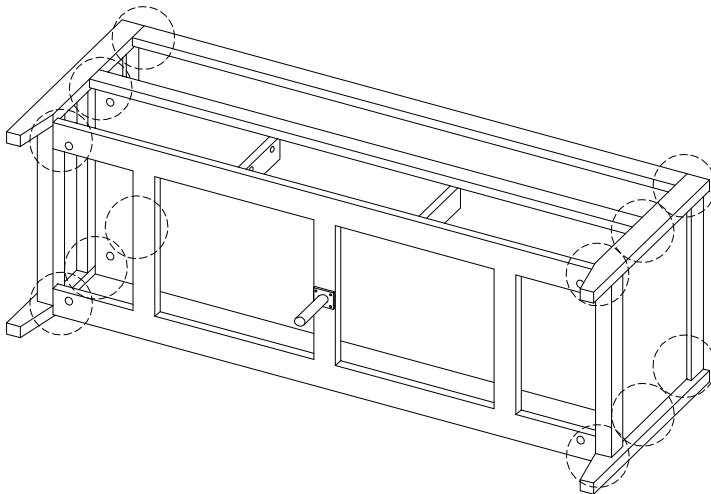


x 2

B



x 12



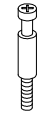
8

7

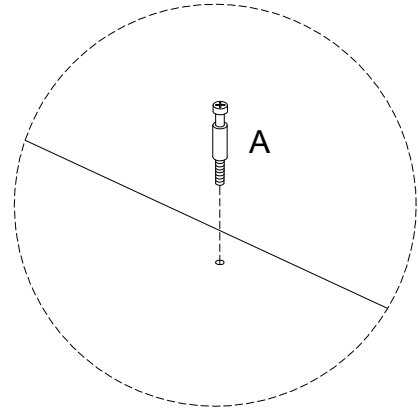
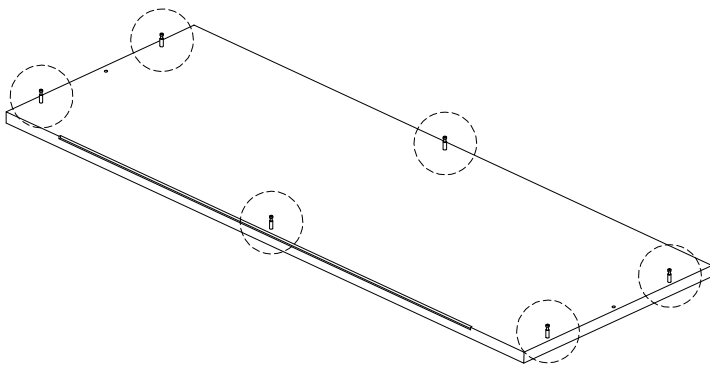


x 1

A



x 6

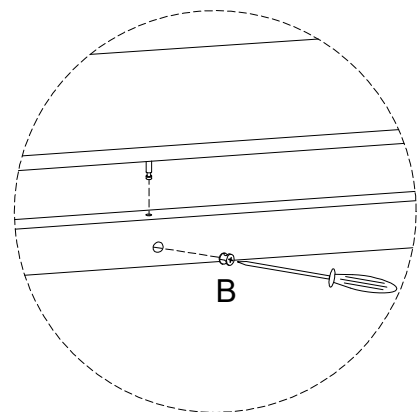
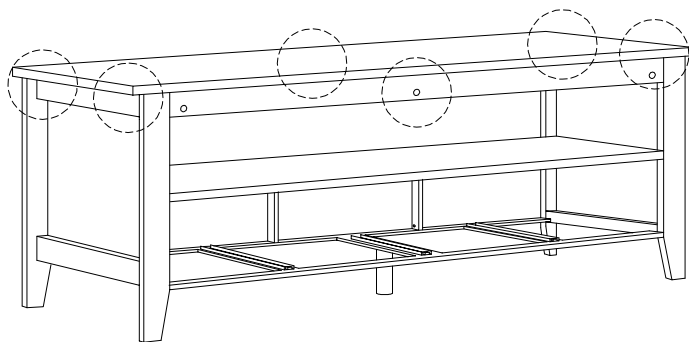


9

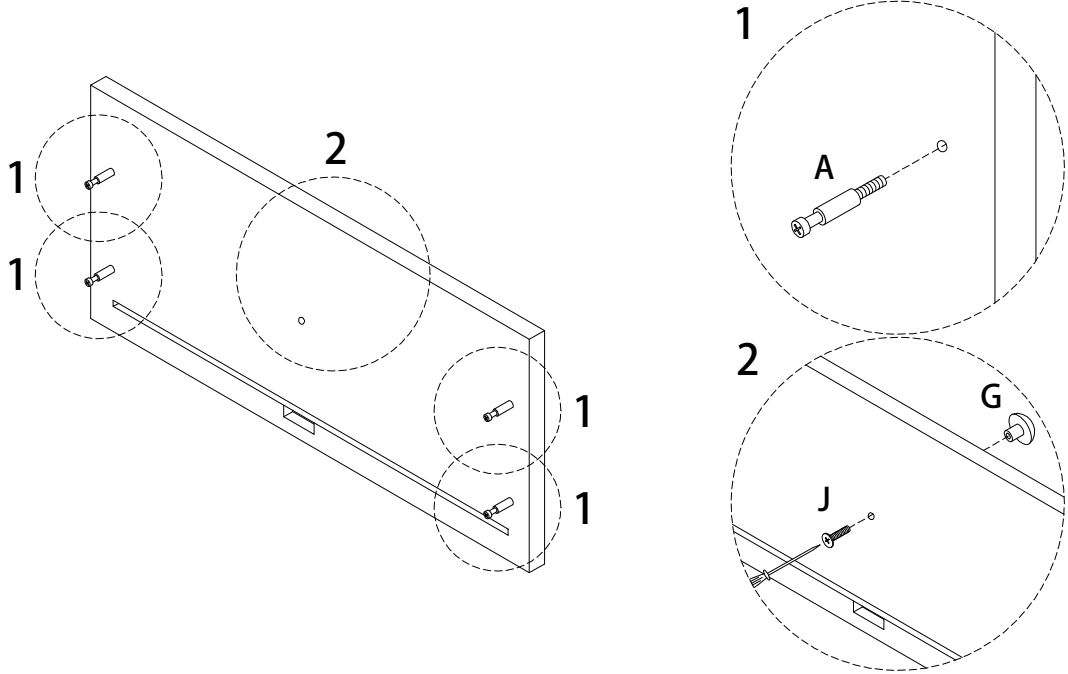
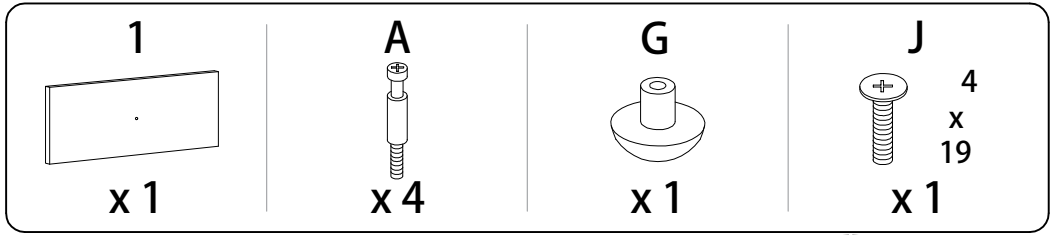
B



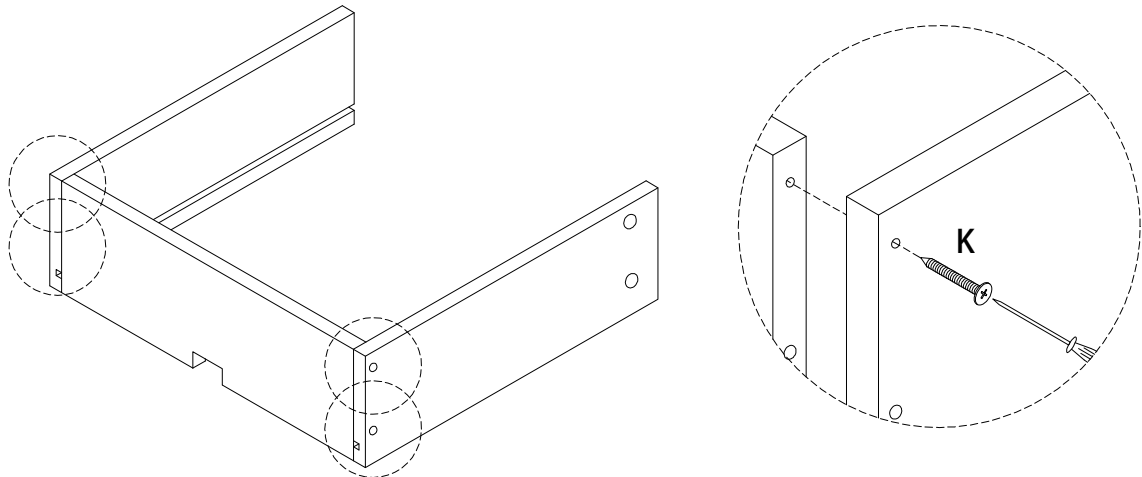
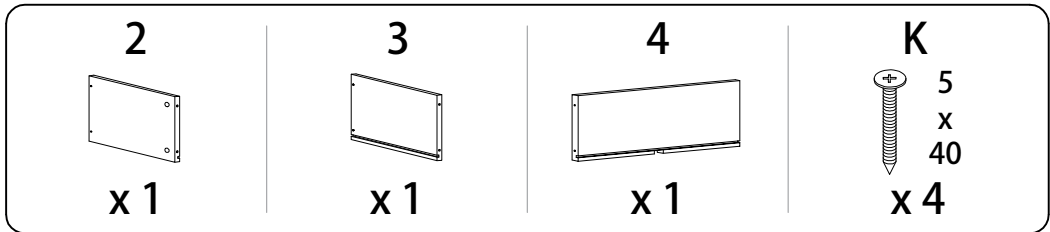
x 6



10 x 3



11 x 3

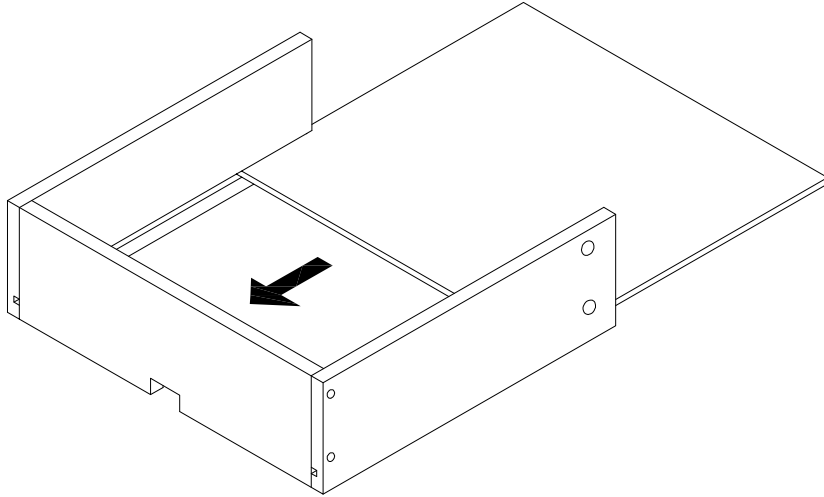


12 x 3

5



x 1

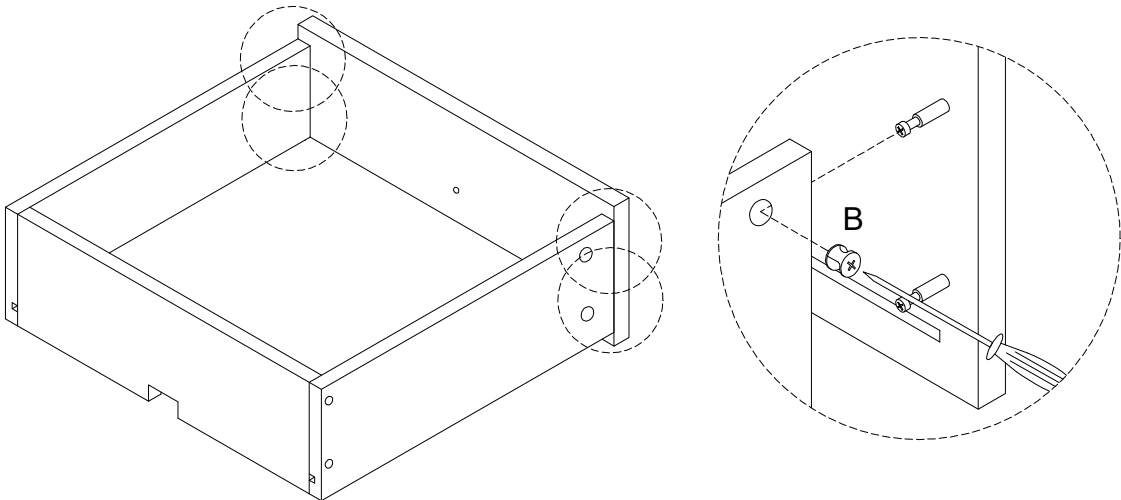


13 x 3

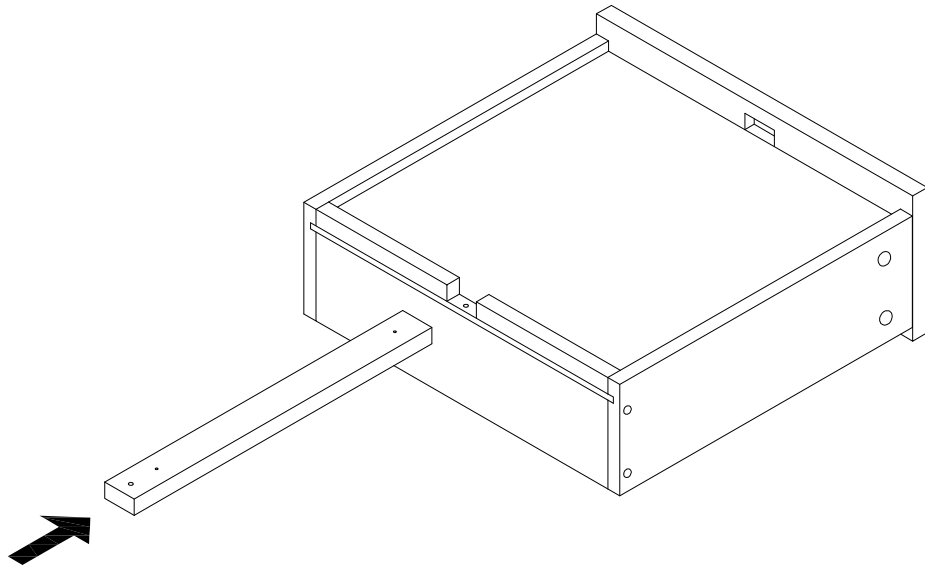
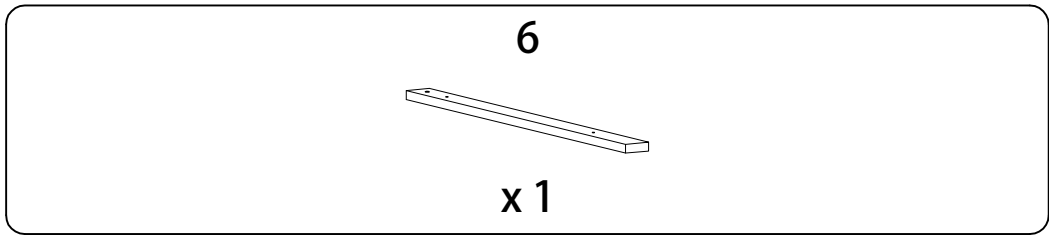
B



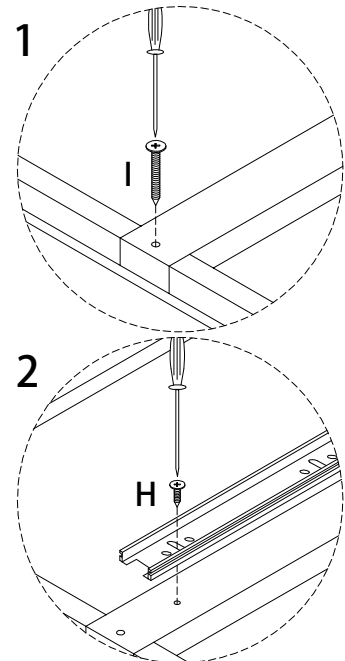
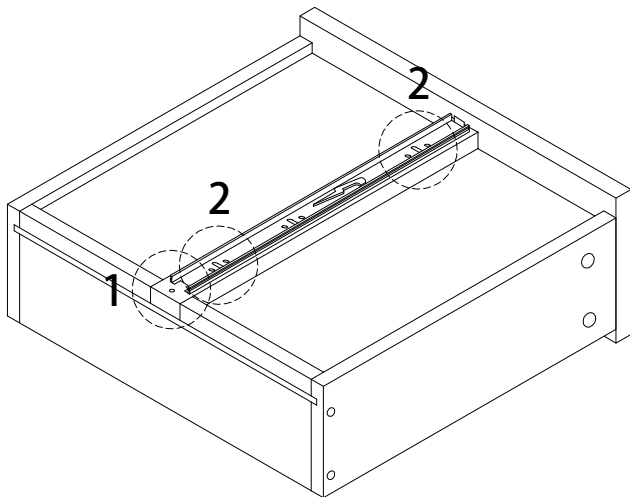
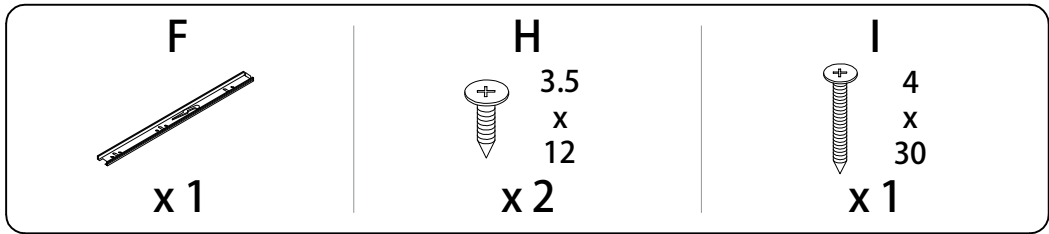
x 4



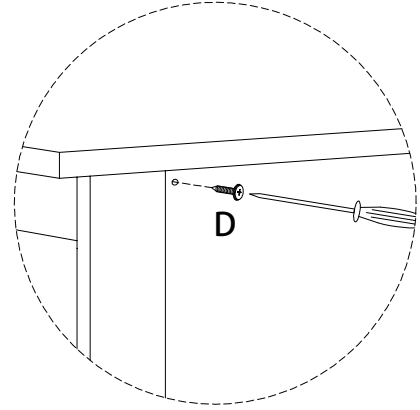
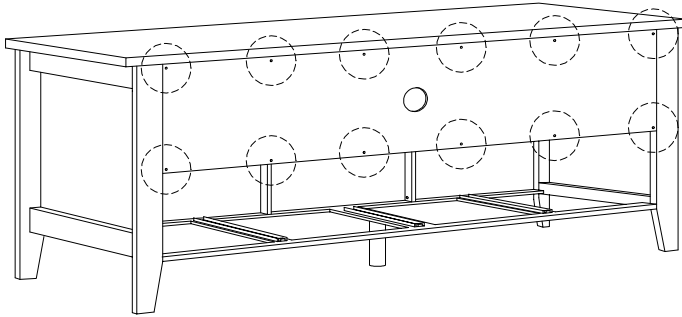
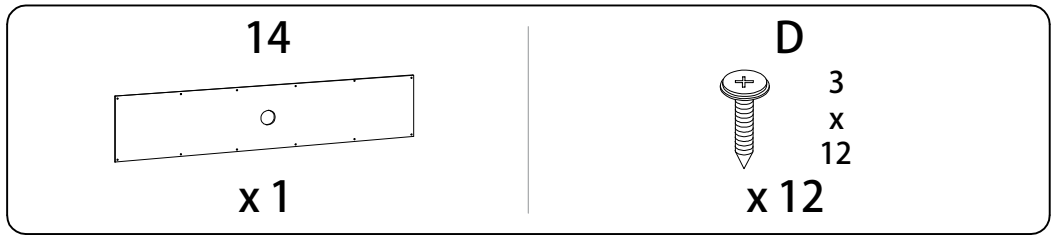
14 x 3



15 x 3



16



17

