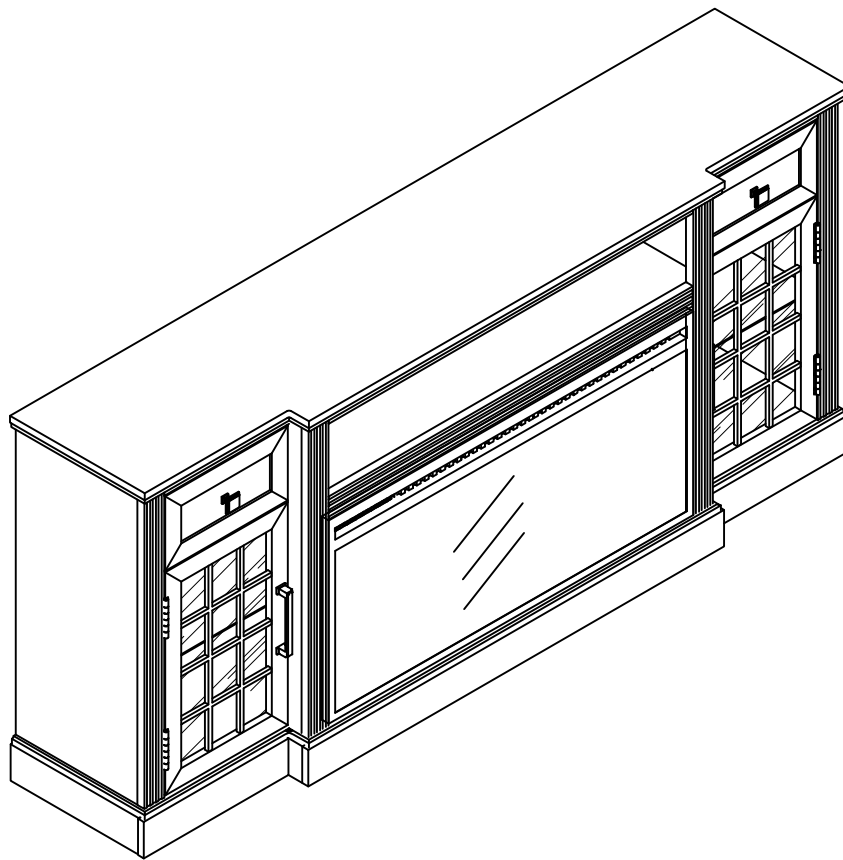


Assembly Instructions



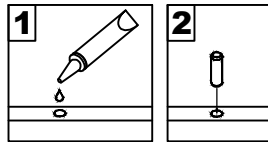
If you have any questions, please follow these steps (“Find Your Orders” – “Problem with the Order” – “Contact Seller”) to contact our customer service. Thanks!

NOTE: There are two packages A and B for this item. Please wait patiently if you only receive one for now

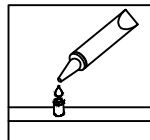
Revised 29/06/2024

General Assembly Guidelines

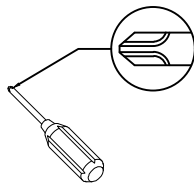
- I. Ensure that all parts and hardware are available before beginning assembly.
- II. Follow each step carefully to ensure the proper assembly of this product.
- III. Two people are recommended for ease in the assembly of this product.
- IV. The three main types of hardware used to assemble this product are : wood dowels , screws and bolts.
- V. The provided glue is to secure wood dowels in place . When first inserting dowels , locate the appropriate hole for the dowel , place a small amount of glue in the hole and insert the dowel . Wipe away excess glue immediately.



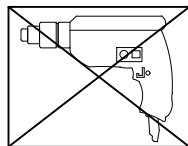
In future assembly steps when dowels are necessary to attach assembly parts together , place a small amount of glue on the end of the dowel before attaching parts together . Wipe away excess glue immediately.



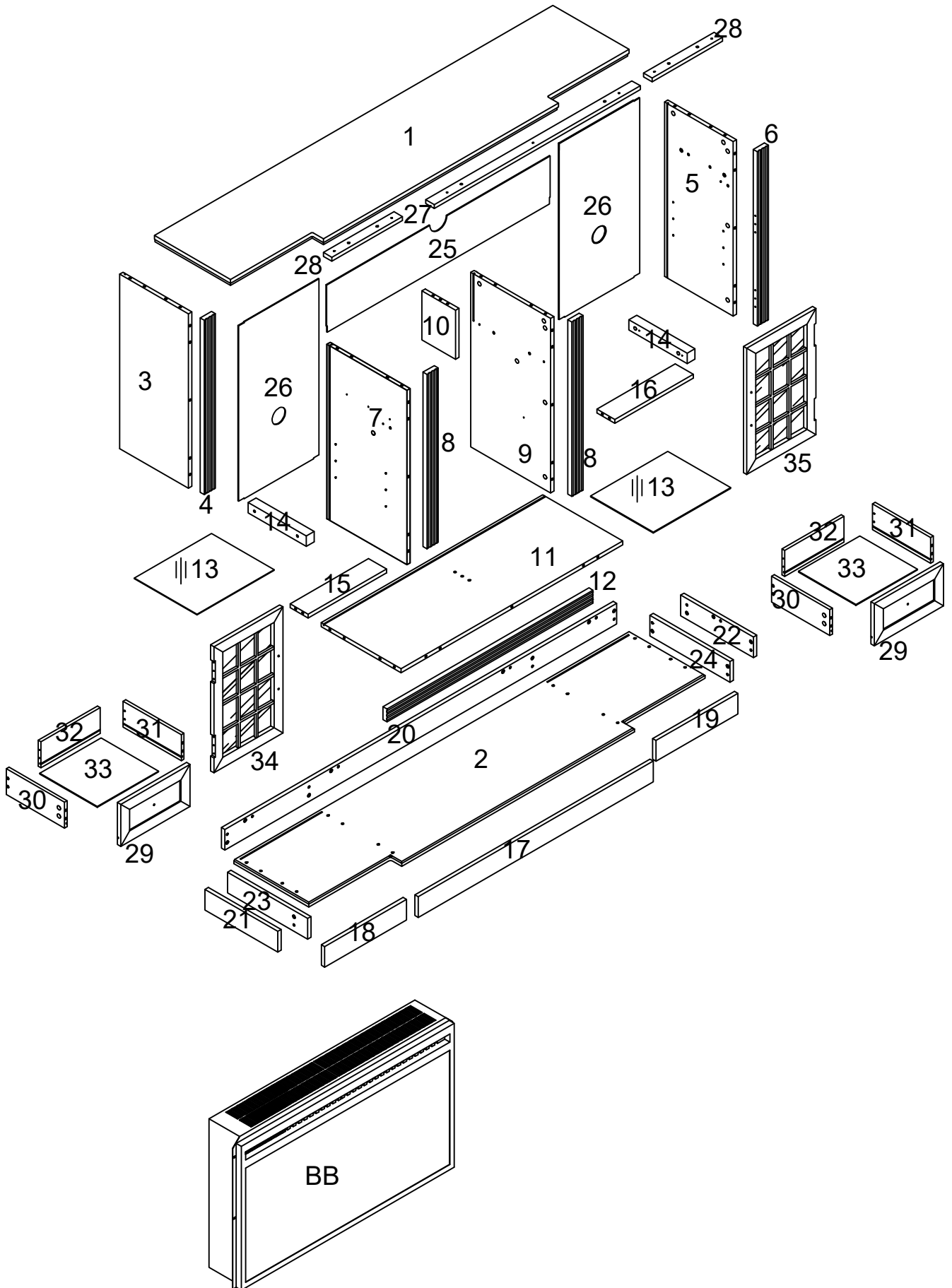
- VI. A Phillips head screwdriver is required for the assembly of this product .





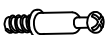













- VI. Power tools should not be used to assemble this product .

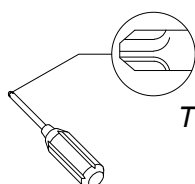


Parts List



Hardware List





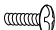






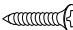








A		Ø8x30mm	Wooden dowel	40 pcs
AA		Ø8x20mm	Wooden dowel	6 pcs
B		Ø6x35mm	Cam bolt	41 pcs
C		Ø15x11mm	Cam lock	33 pcs
CC		Ø15x9mm	Cam lock	8 pcs
D		Ø30mm	Sticker	41 pcs
E		Ø6x50mm	Screw	10 pcs
F		M 4	Hex Key	1 pc
G		M6*12mm	Screw	40 pcs
H			Plastic wedge	20 pcs
I			Handle	2 pcs
J		Ø4x19mm	Bolt	4 pcs
K		M6*35mm	Bolt	4 pcs
L		10"	Drawer slides	2 pcs
M		Ø3x12mm	Screw	32 pcs
N		Ø4x32mm	Screw	8 pcs

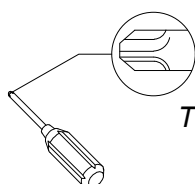


Philips head screwdriver required for assembly
(not included)

*The hardware quantities listed above are required for proper assembly.
Some extra hardware may also have been included.*

Hardware List

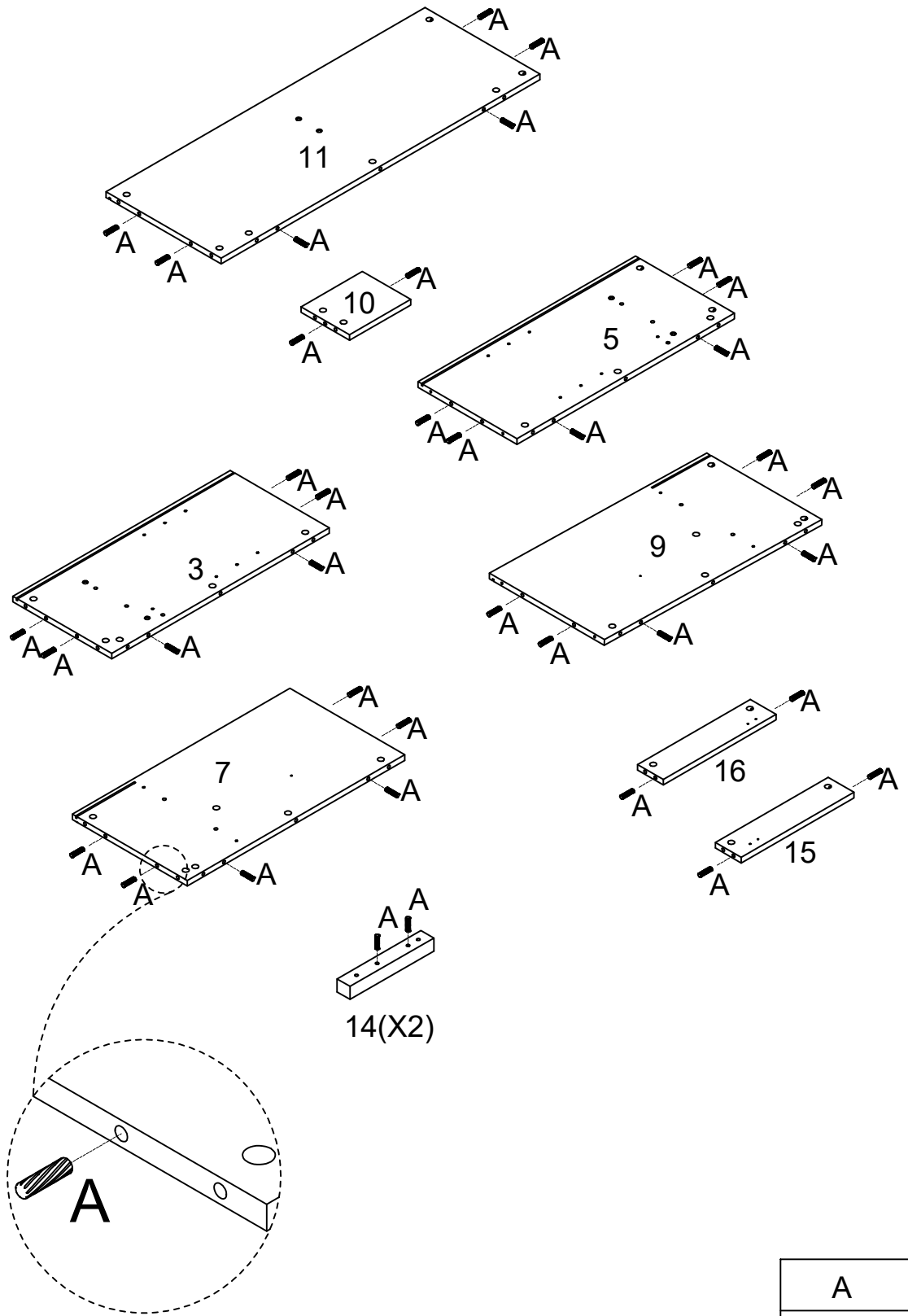
O		Door stopper	2 pcs
P		Ø3x15mm Screw	4 pcs
Q		Screw	2 pcs
R		Knob	2 pcs
S		Ø4x9mm Bolt	2 pcs
T		Hinge	4 pcs
U		Ø3.5x15mm Screw	8 pcs
V		Ø3.5x19mm Screw	24 pcs
W		Ø5x13x26mm Shelf holder	8 pcs
X		LED lamp belt	2 pc
Y		Plastic wedge	12 pcs
Z		Ø3x17mm Screw	12 pcs
BB		Anti-inversion piece	4 pcs
DD		Ø4x15mm Screw	4 pcs
EE		Ø4x35mm Screw	4 pcs
FF		House lizard	4 pcs
GG		Strip	2 pcs
HH		Ø4x25mm Screw	7 pc
JJ		Metal snap joint	4 pc
KK		Glue tube	2 pc




Philips head screwdriver required for assembly
(not included)

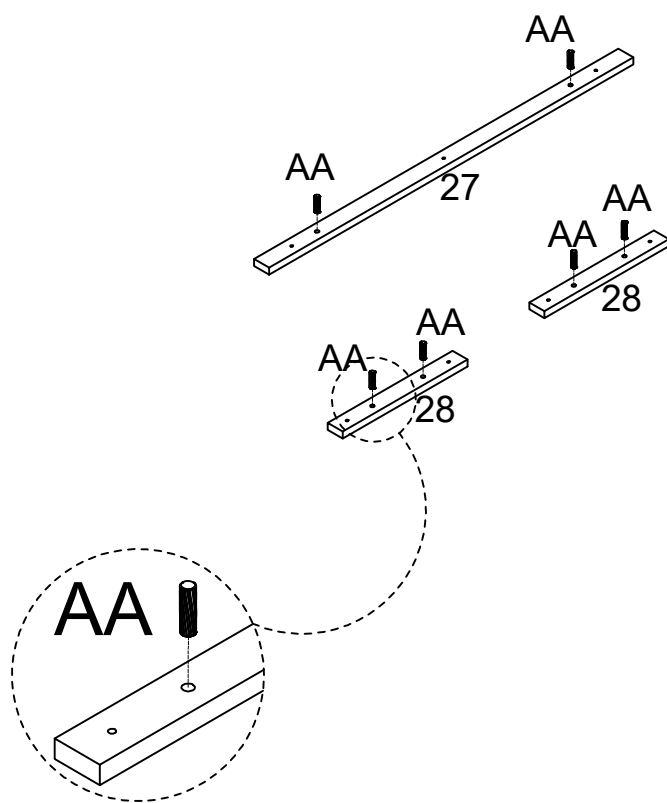
*The hardware quantities listed above are required for proper assembly.
Some extra hardware may also have been included.*


Step 1



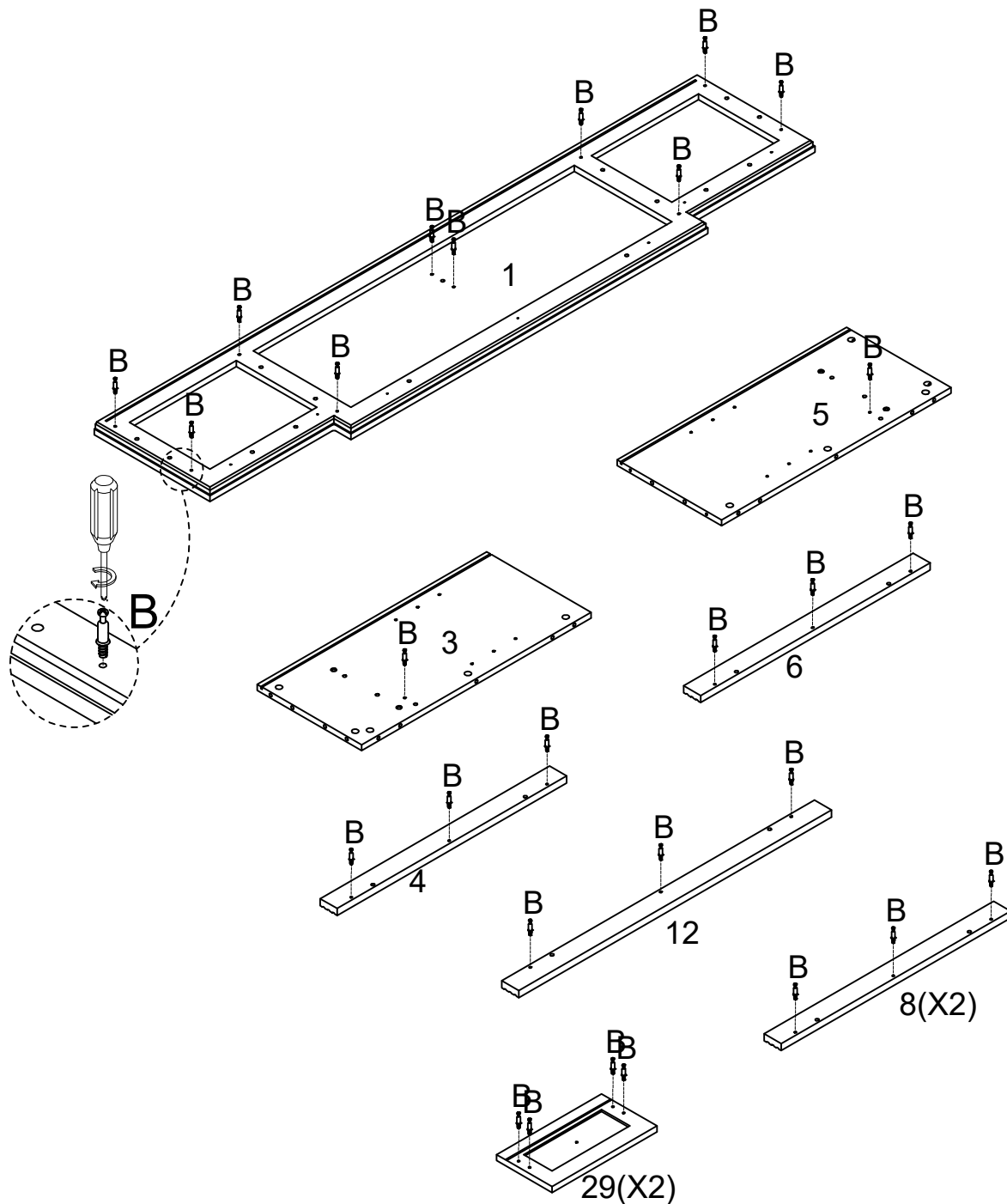
A

X40


Step 2



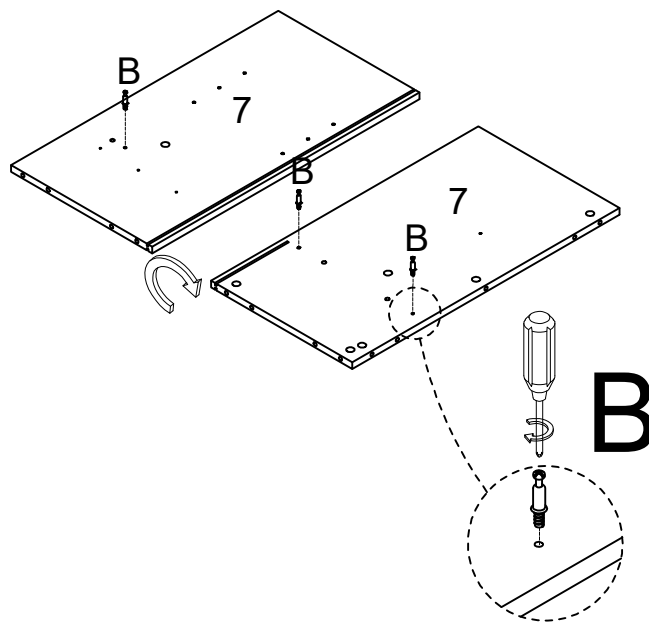
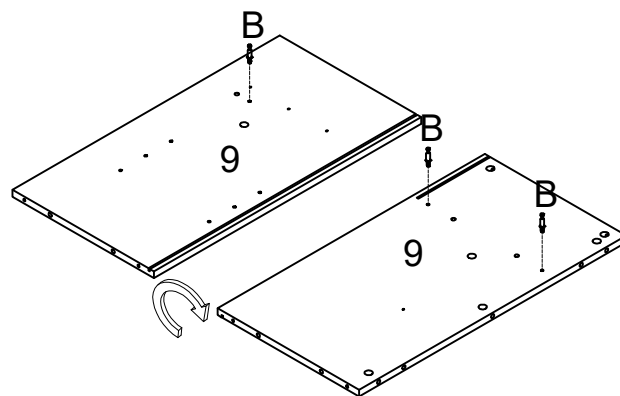
AA

X6


Step 3



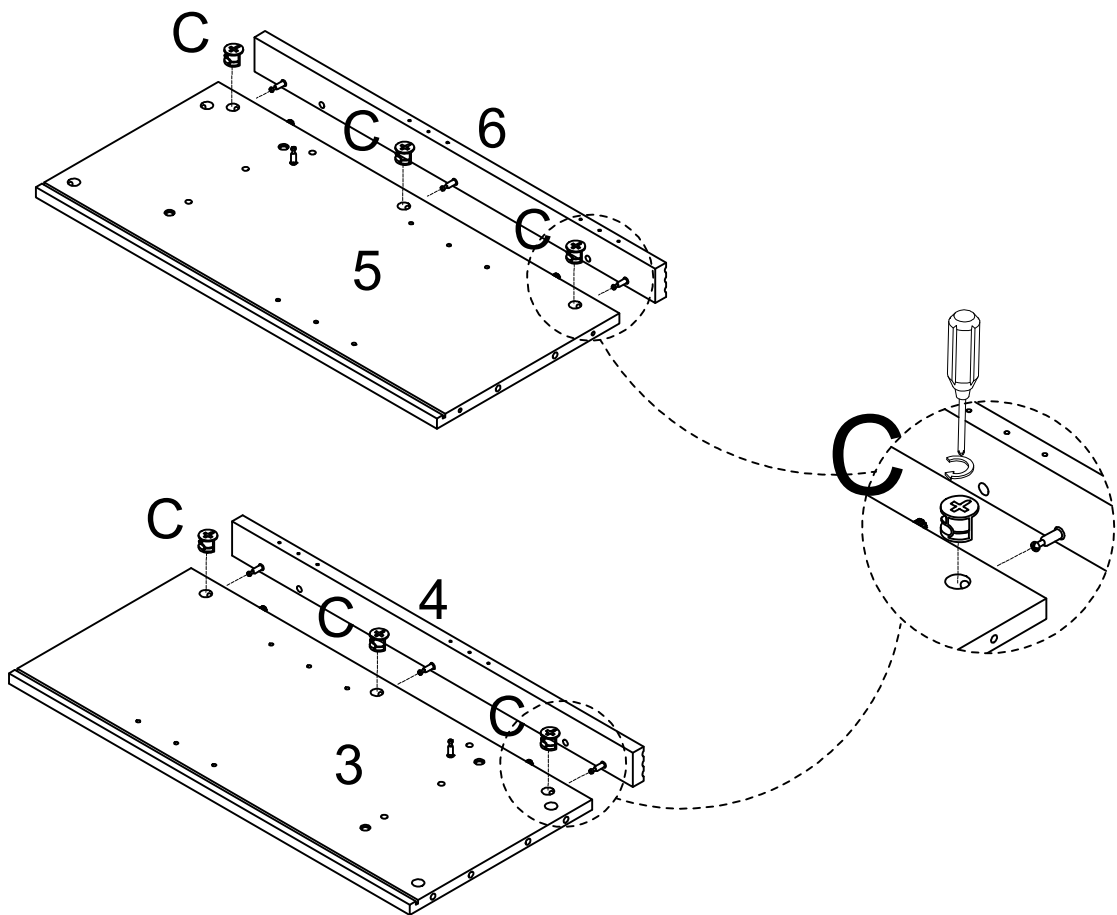
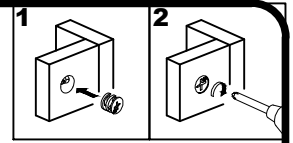
B

X35


Step 4



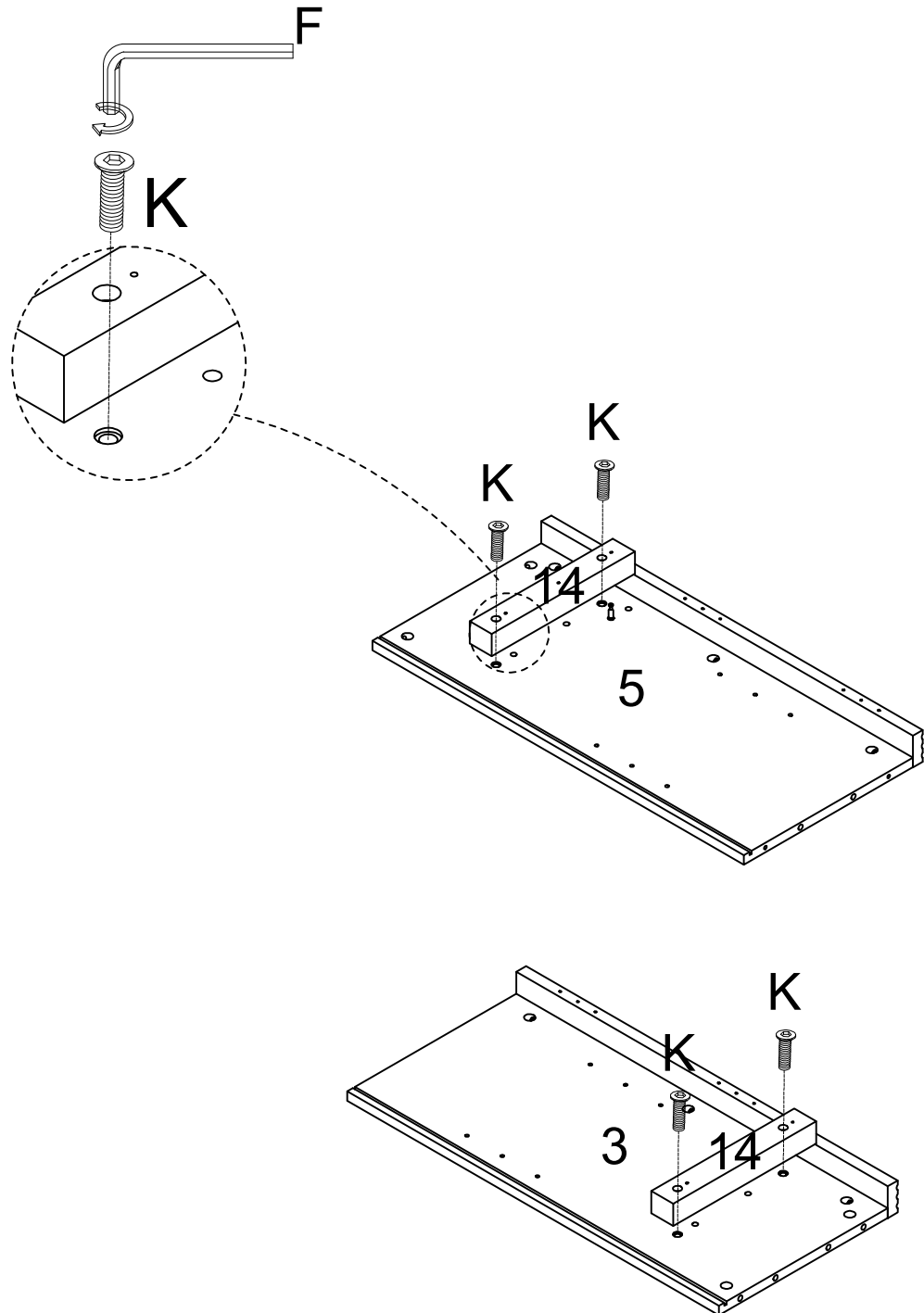
B

X6



Step 6



C

X6

Step 7



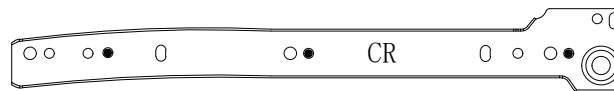
K	F
	
X4	X1

Step 8

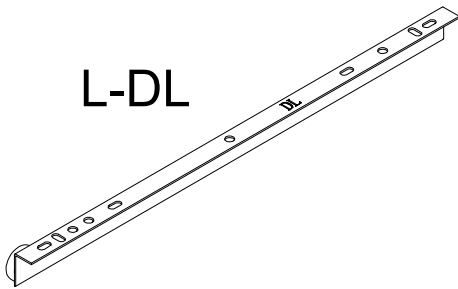
L-CL



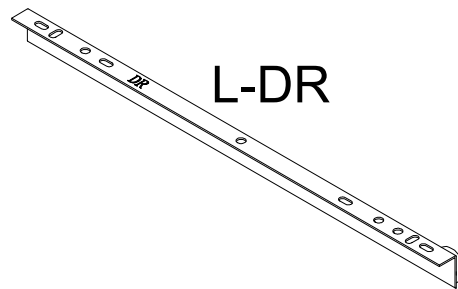
L-CR



L-DL



L-DR

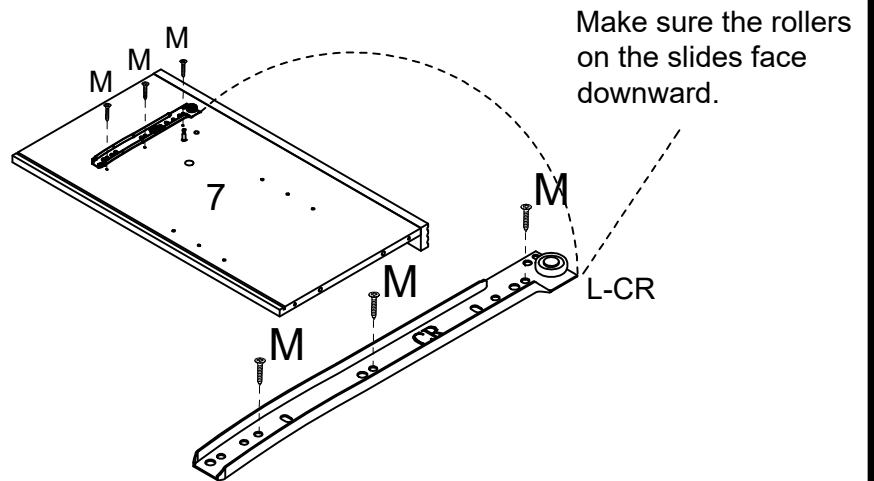
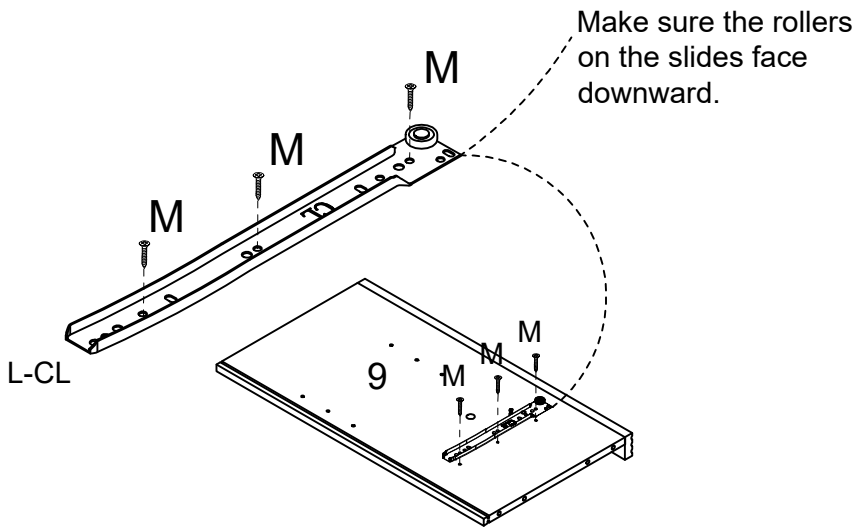
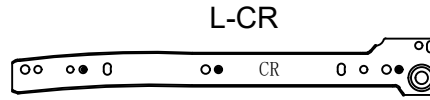


Step 9

NOTE:



Refer to the images to identify L-CL (left) and L-CR (right). Attach L-CL to #9 panel and L-CR to #7 panel. [M] screws must go in the exact spots shown.



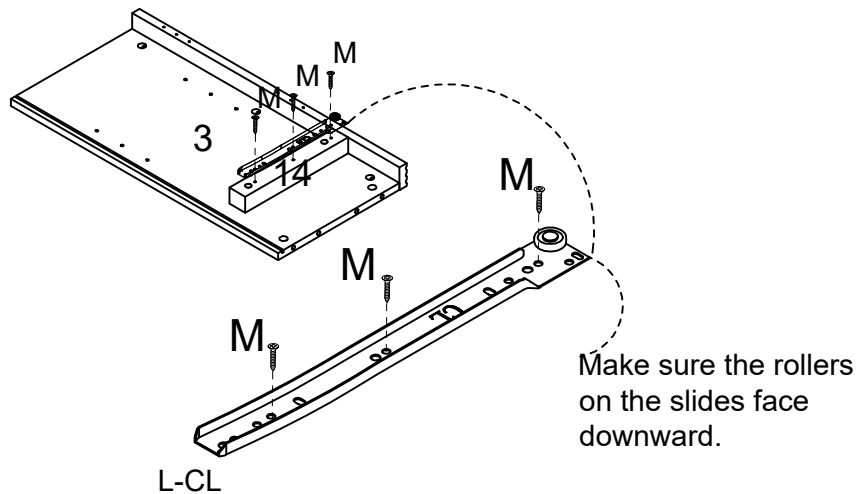
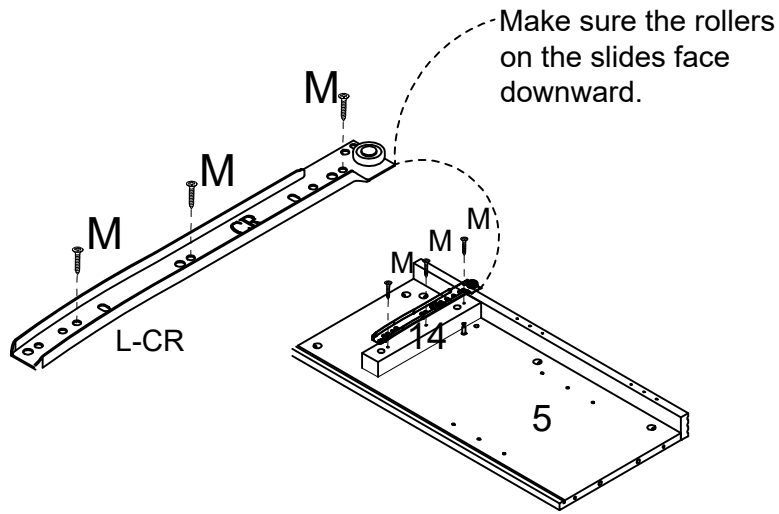
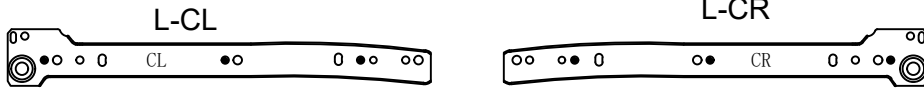
M	L
X6	X1

Step 10



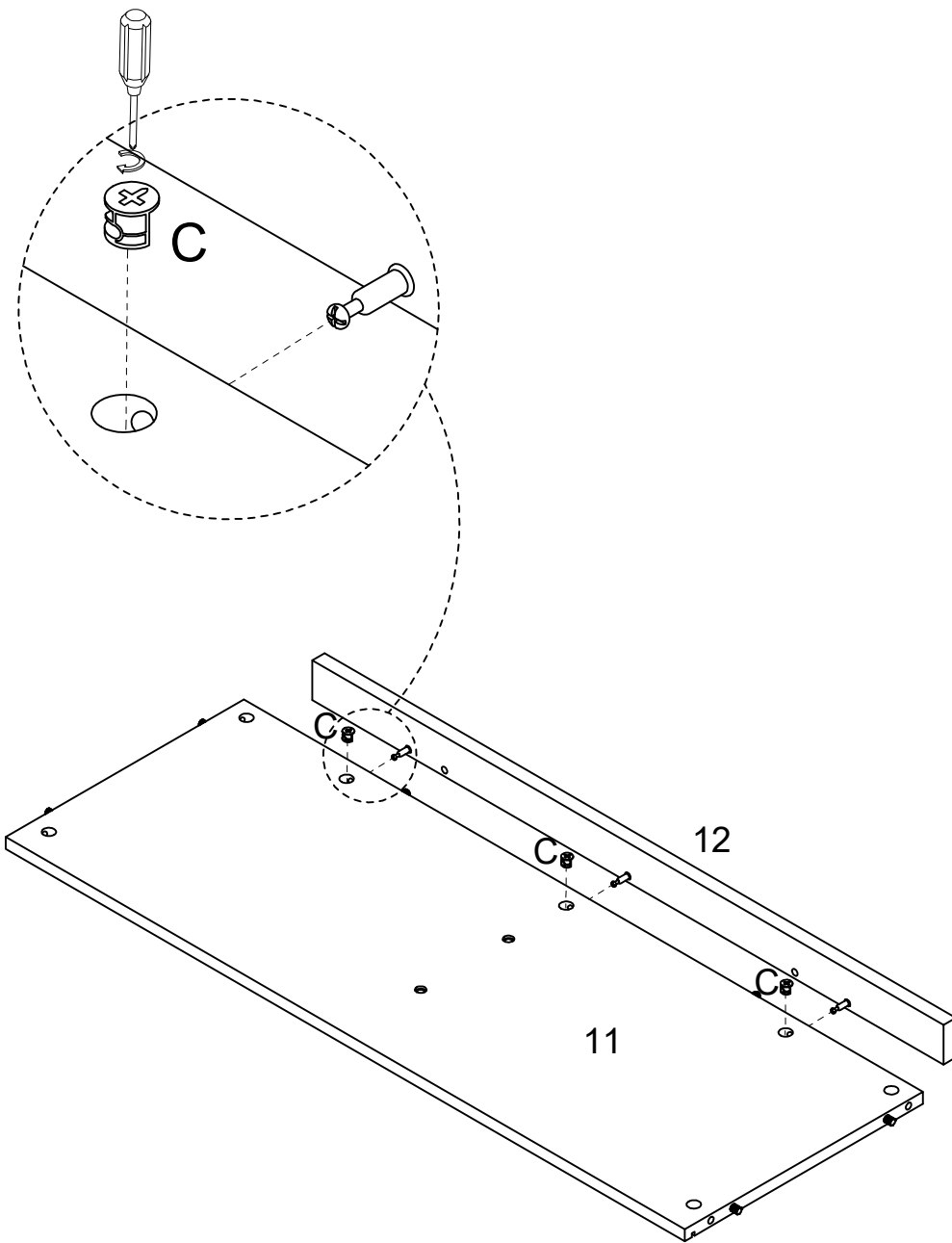
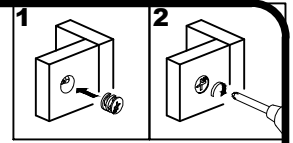
NOTE:


Refer to the images to identify L-CL (left) and L-CR (right). Attach L-CL to #3 panel and L-CR to #5 panel. [M] screws must go in the exact spots shown.



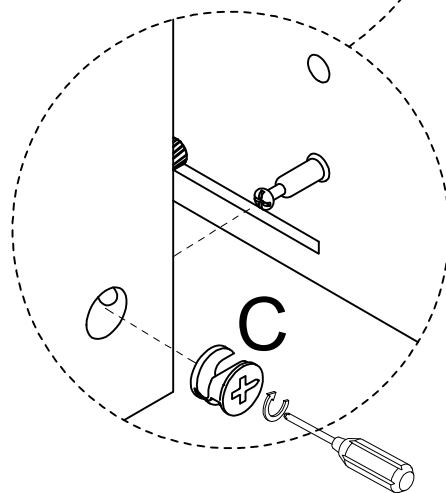
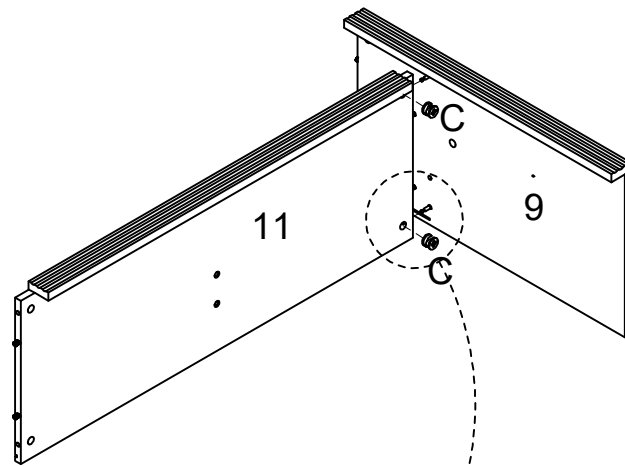
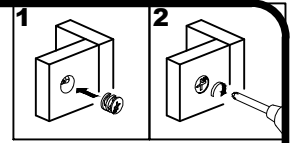
M	L
X6	X1


Step 11



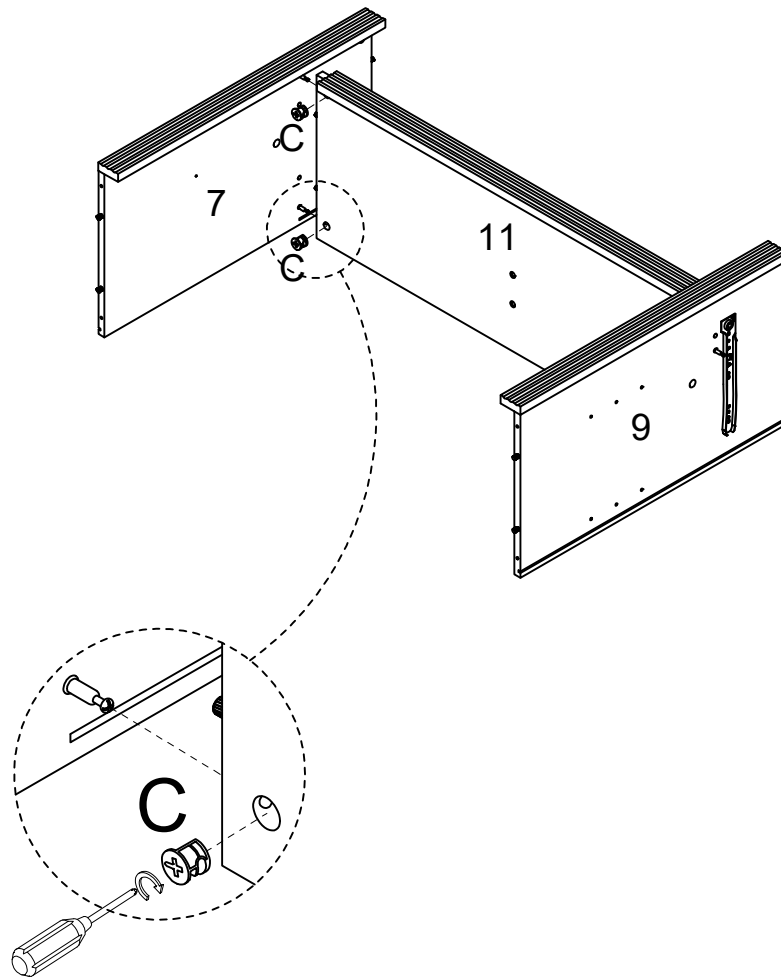
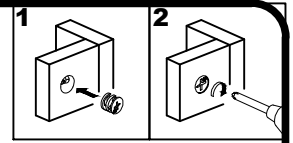
C

X3


Step 12



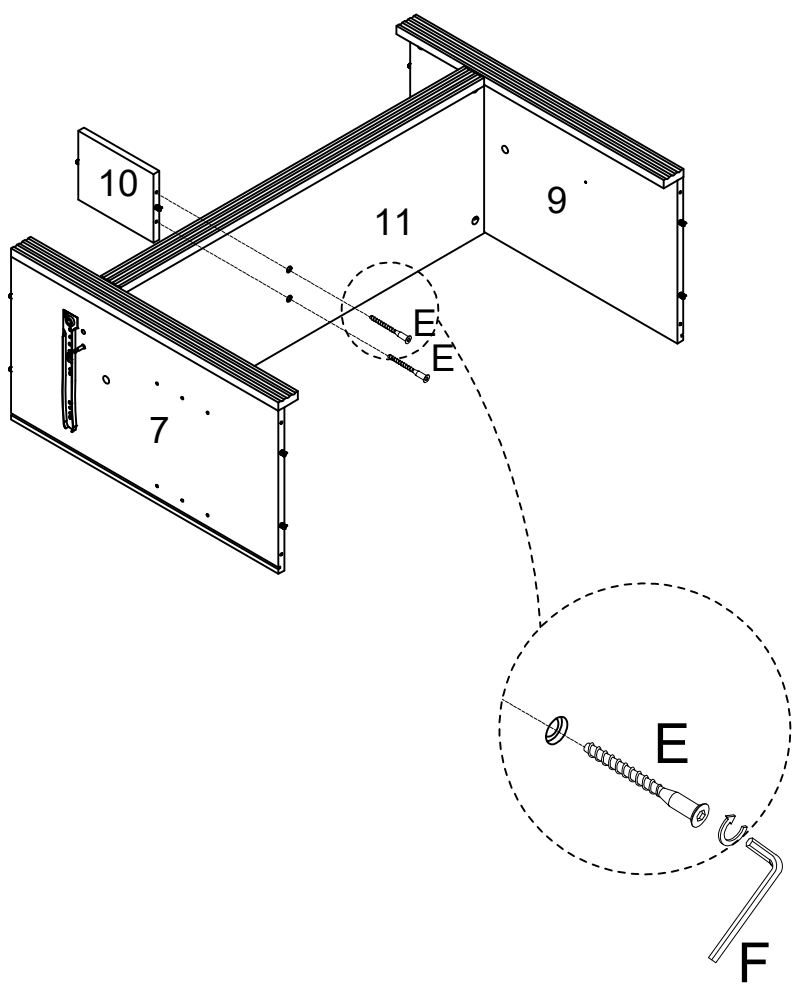
C

X2



Step 13



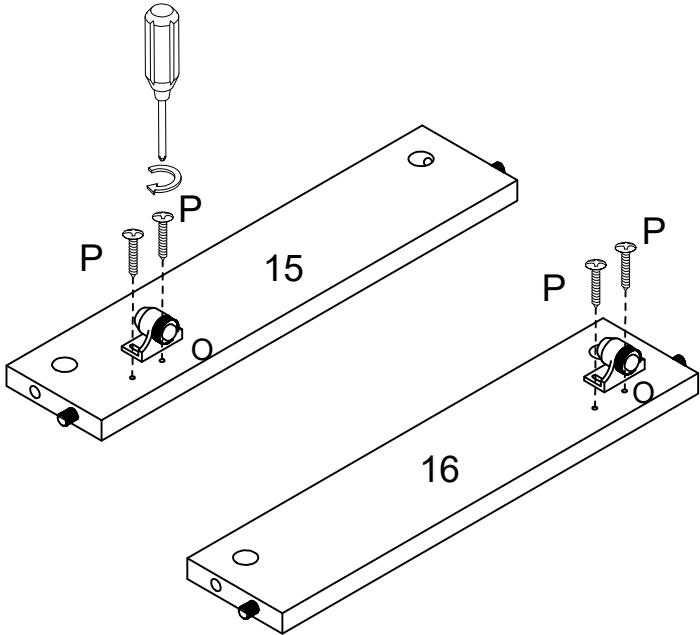
C

X2



Step 14



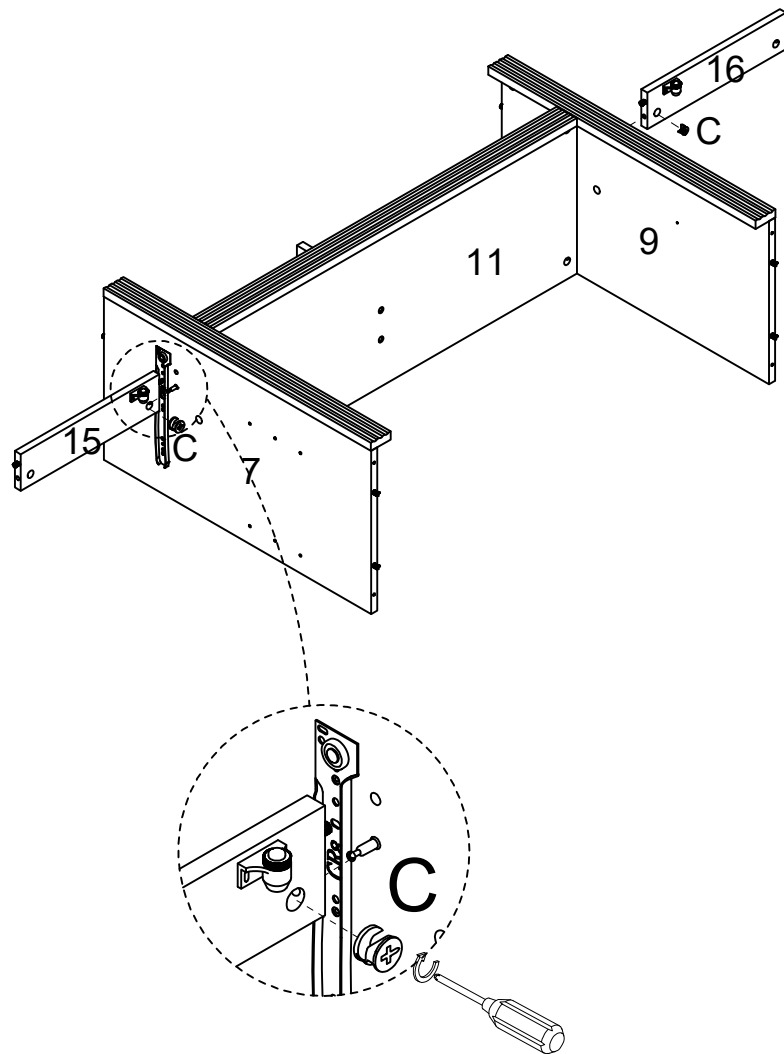
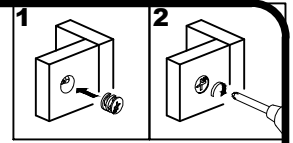
E	F
	
X2	X1


Step 15



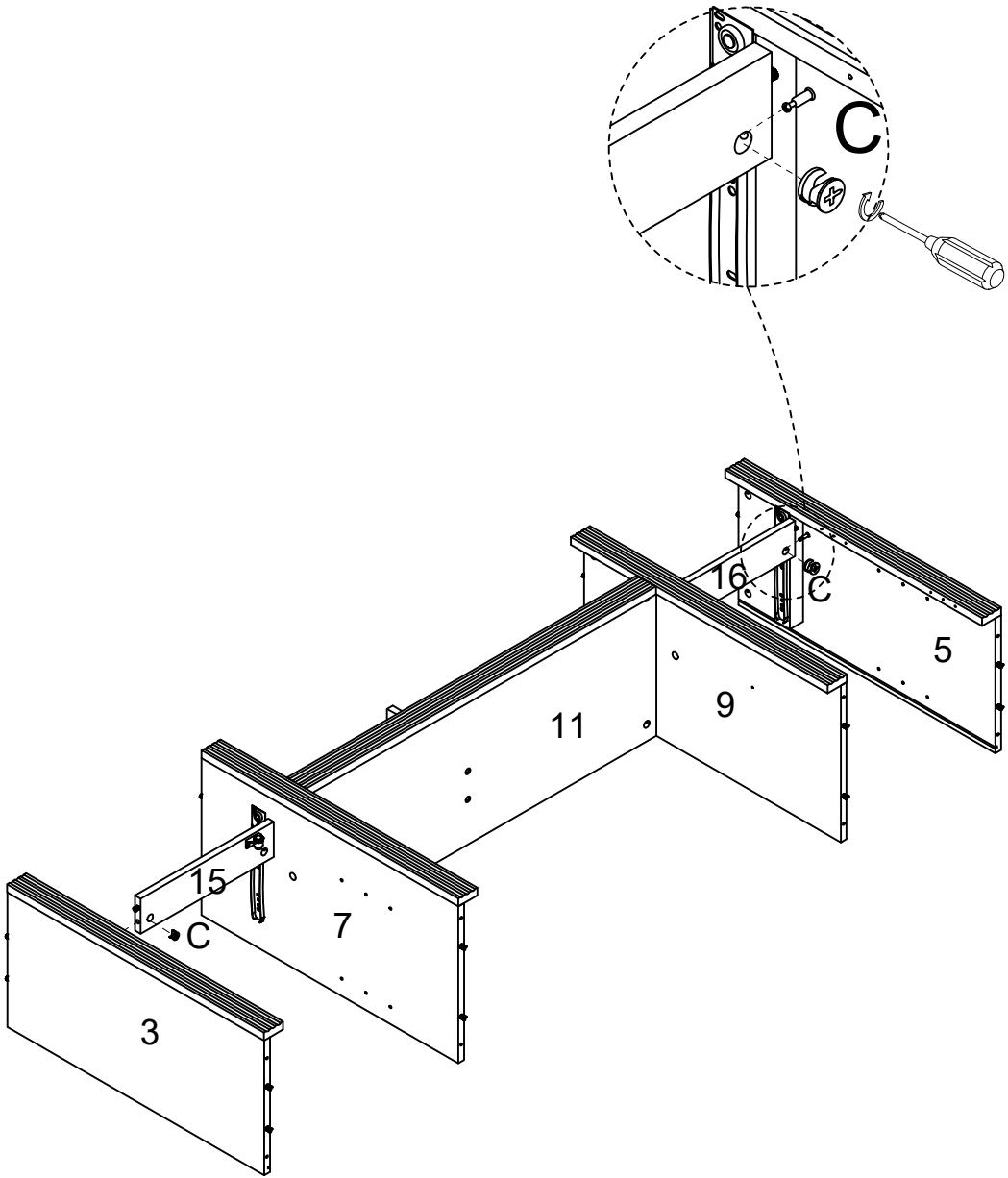
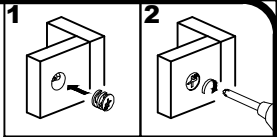
P	O
	
X4	X2

Step 16



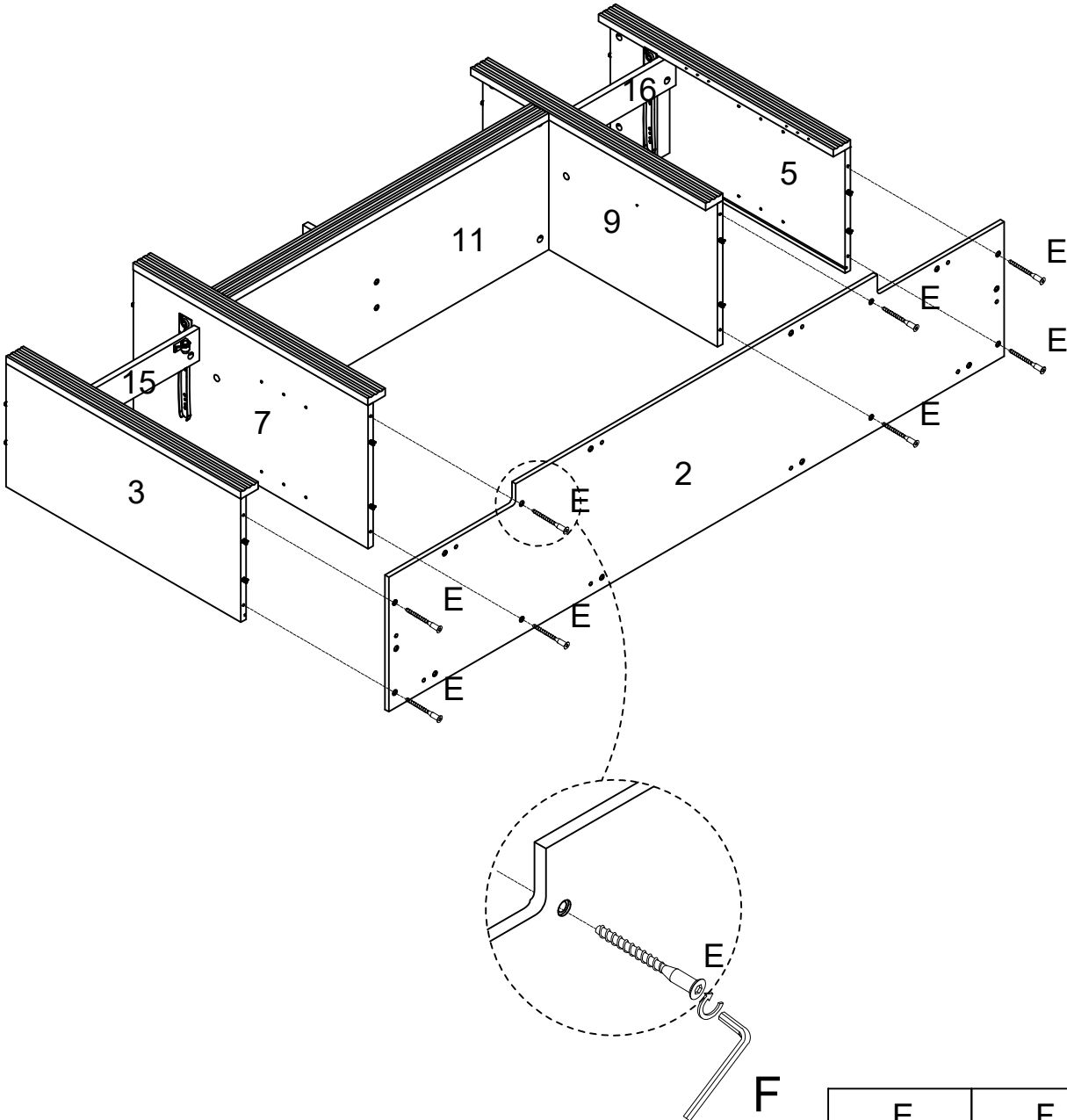
C

X2



Step 17



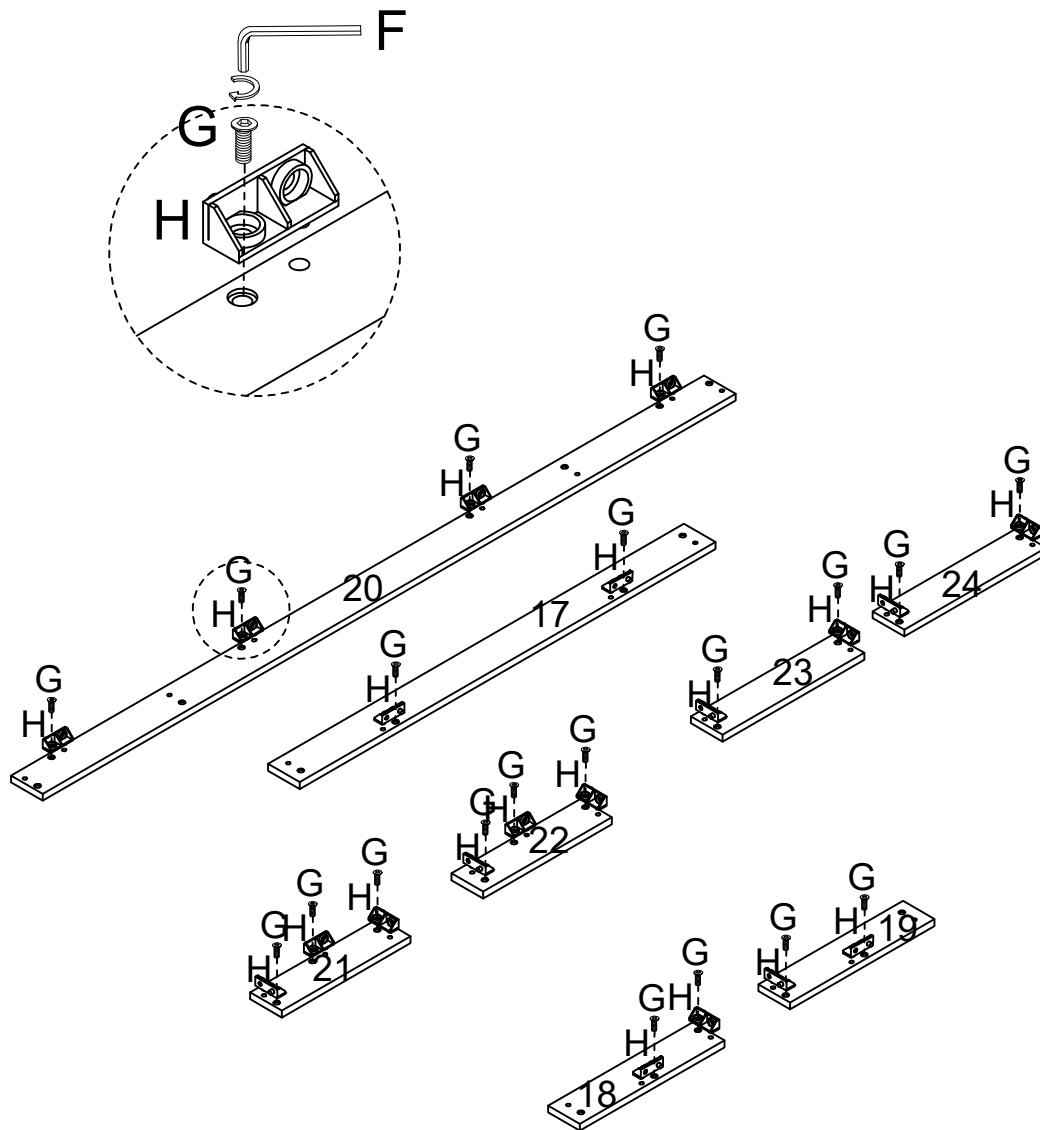
C
X2

Step 18



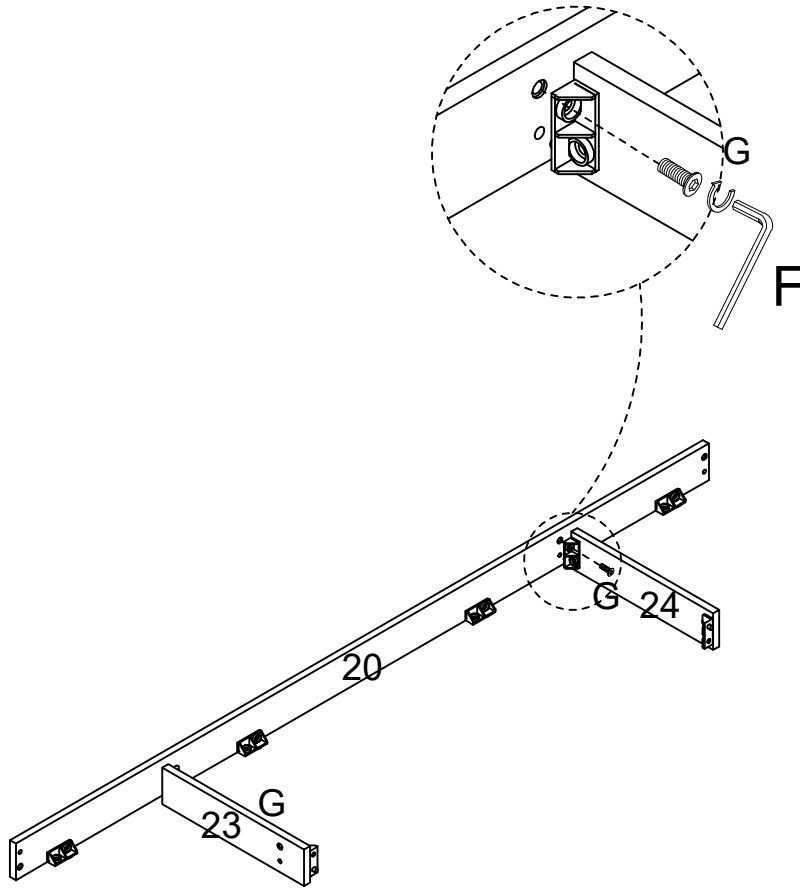
E	F
	
X8	X1



Step 19



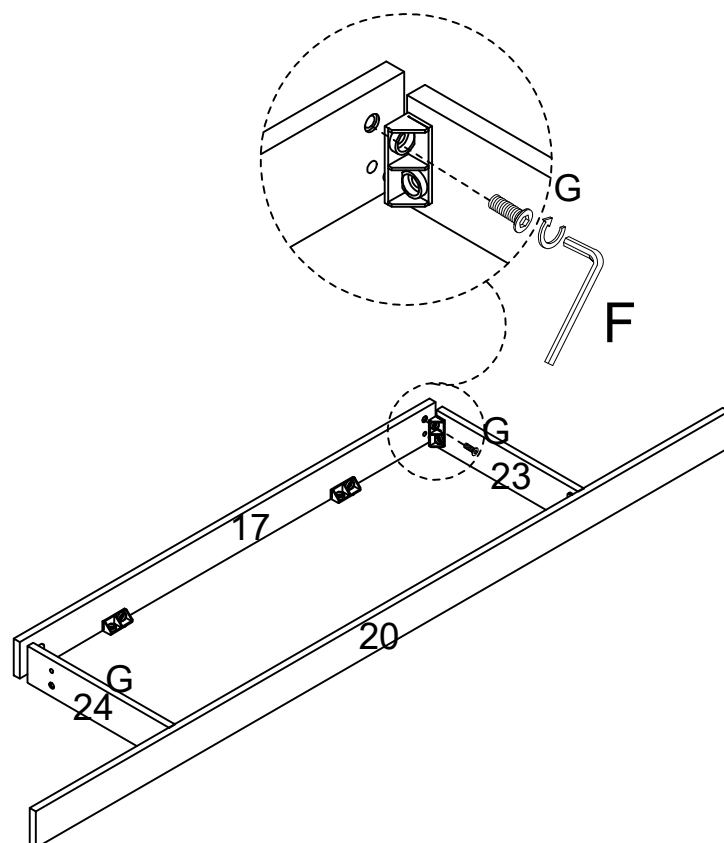
H	G	F
X20	X20	X1



Step 20



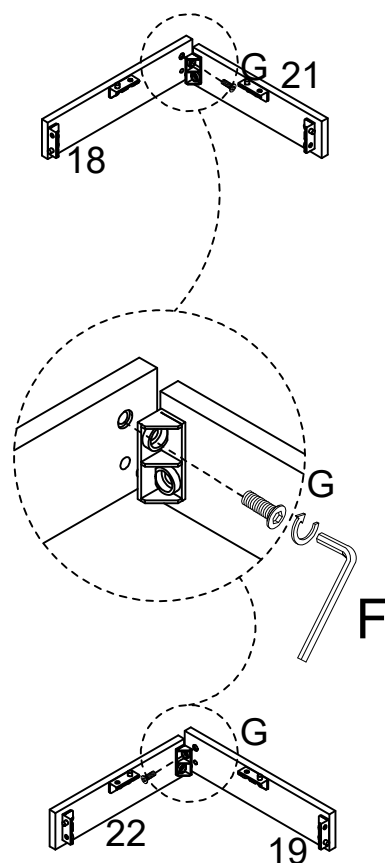
G	F
	
X2	X1



Step 21



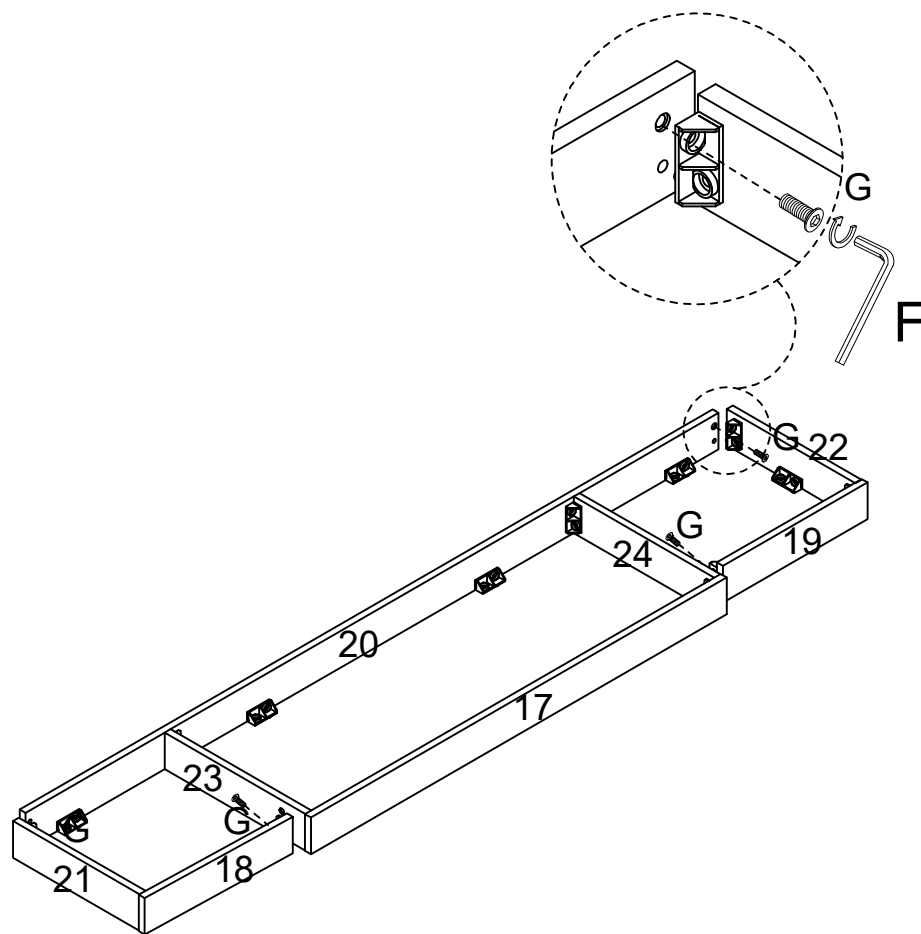
G	F
	
X2	X1



Step 22



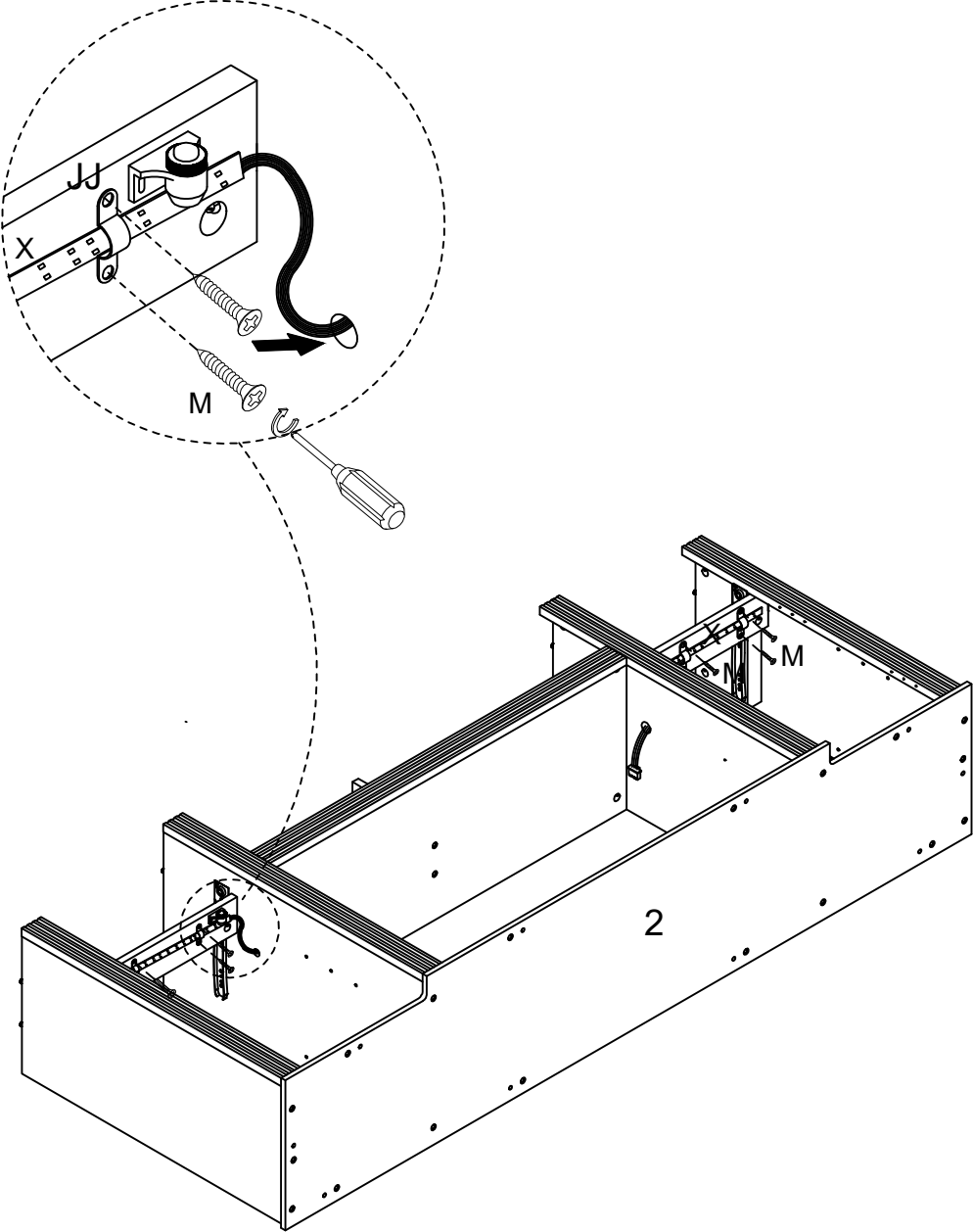
G	F
	
X2	X1



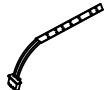
Step 23



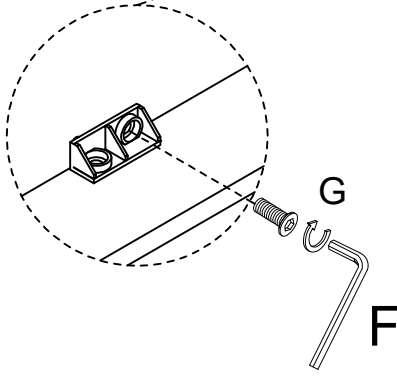
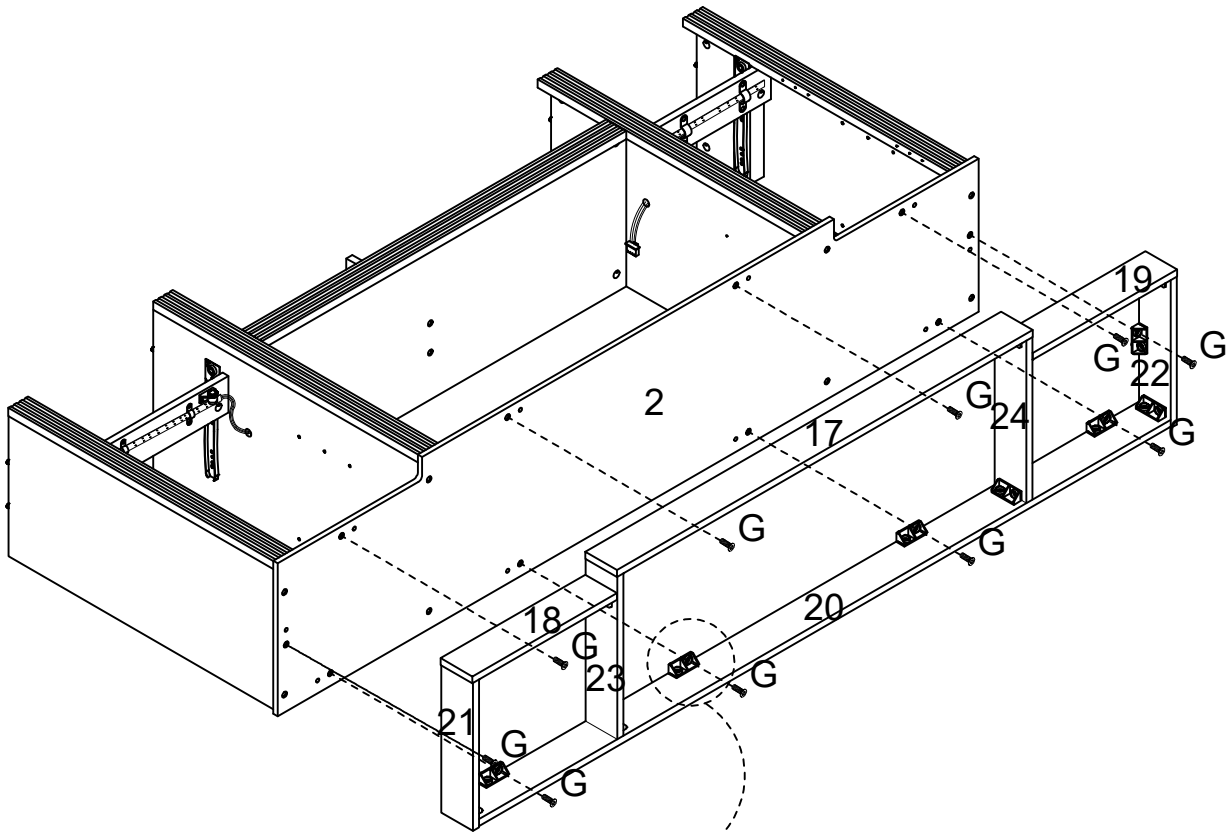
G	F
	
X4	X1



Step 24



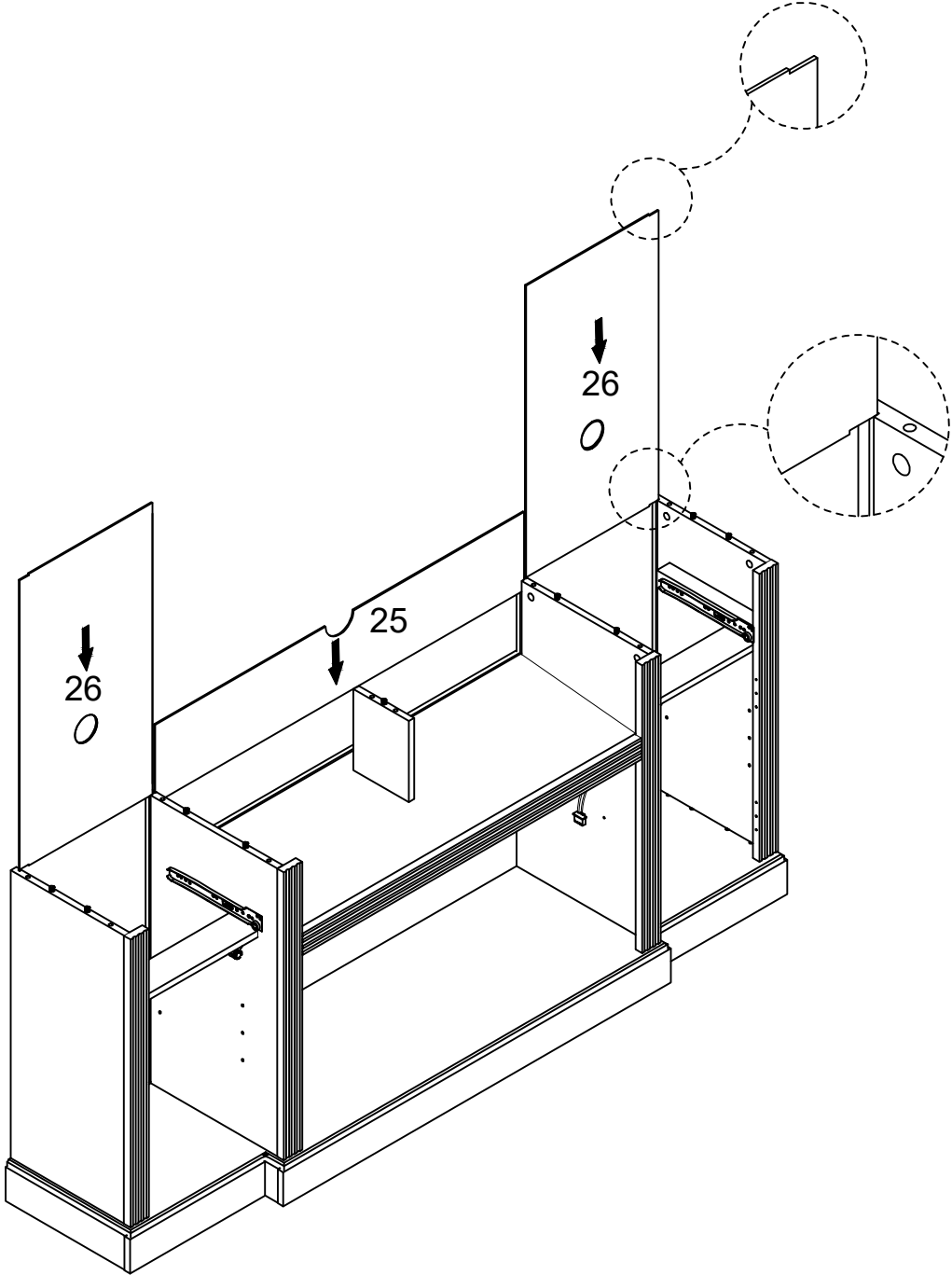
M	JJ	X
		
X8	X4	X2

Step 25

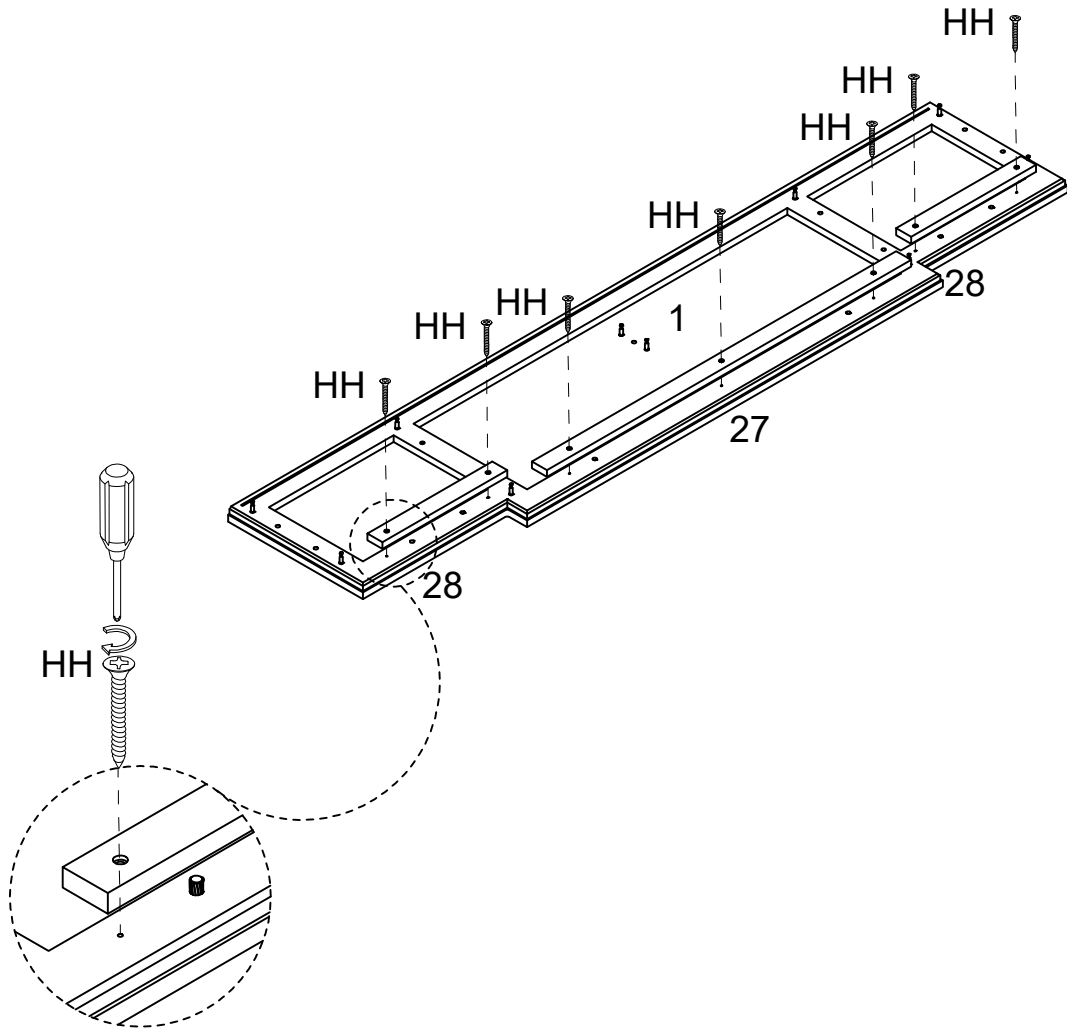


G	F
	
X10	X1

Step 26



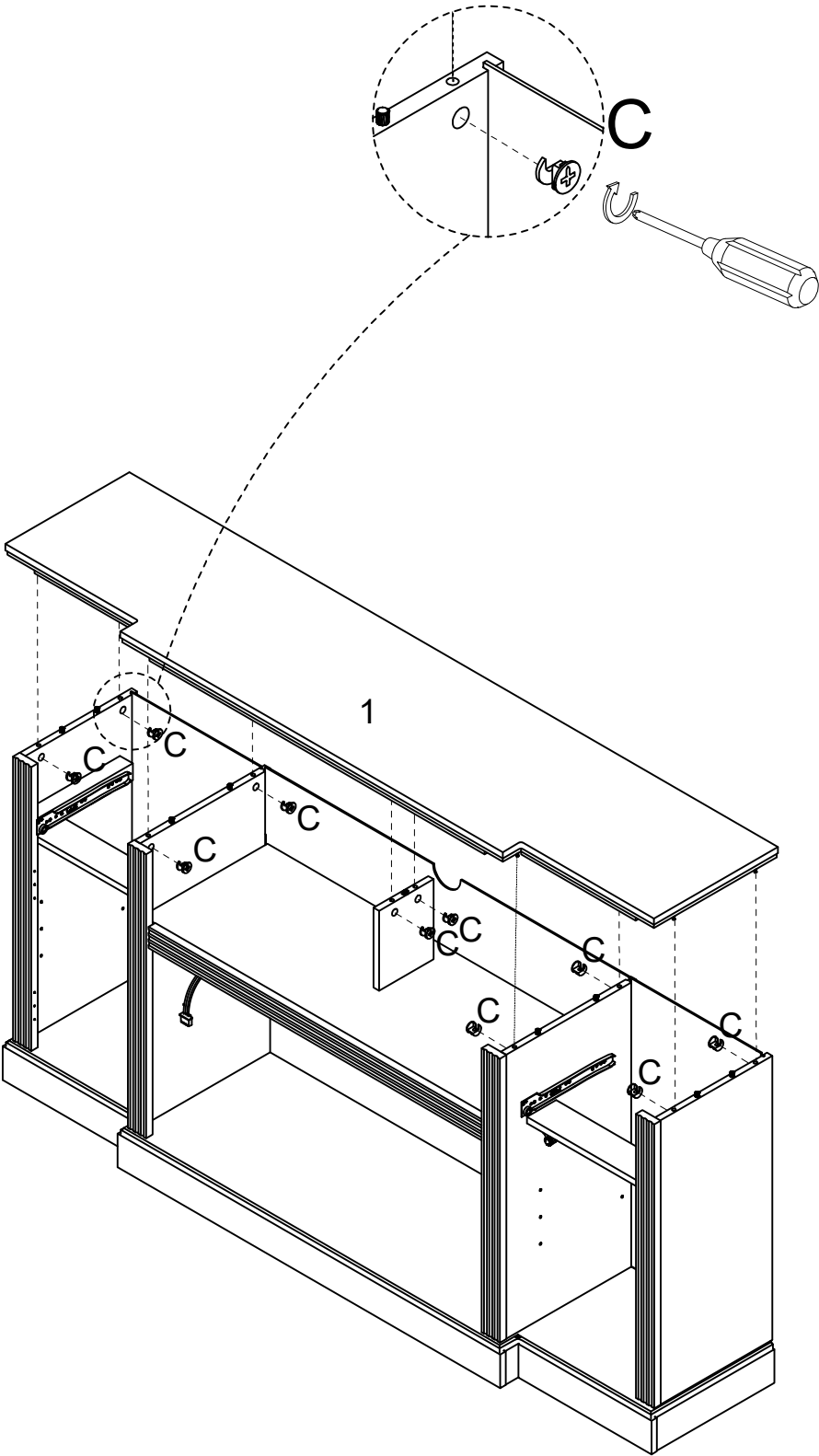
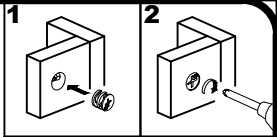
Step 27




HH

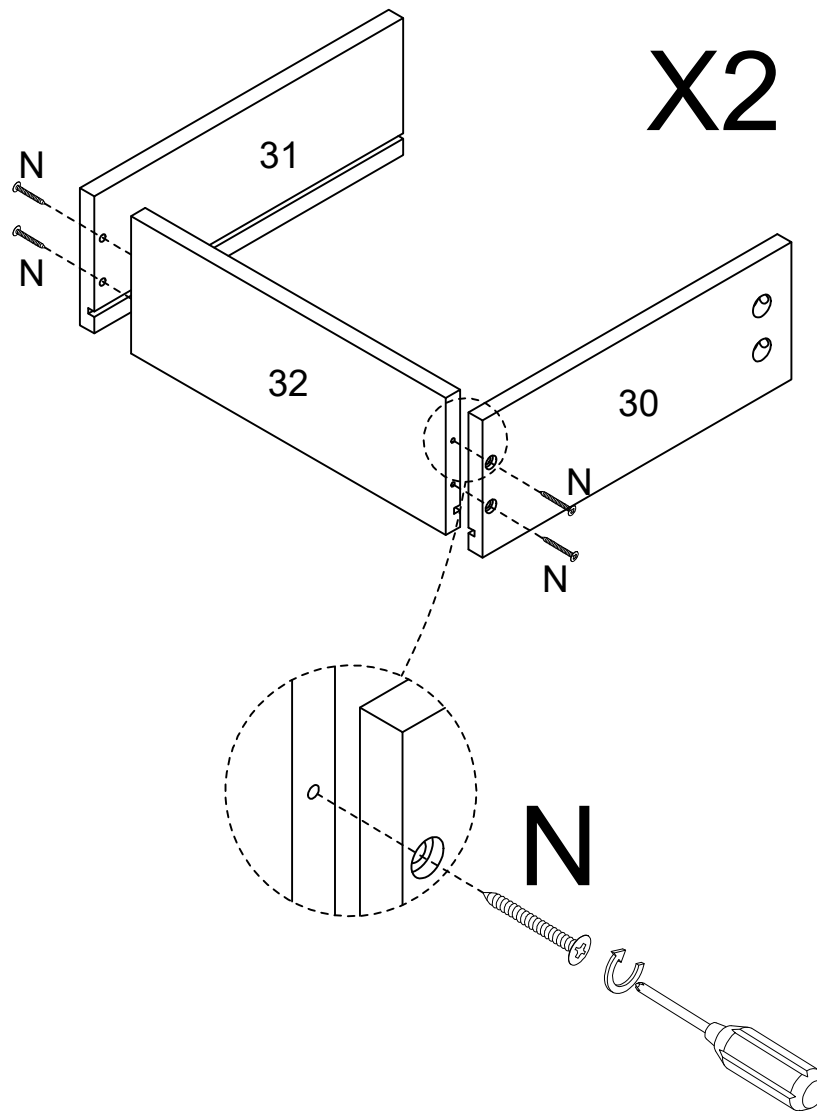
X7


Step 28



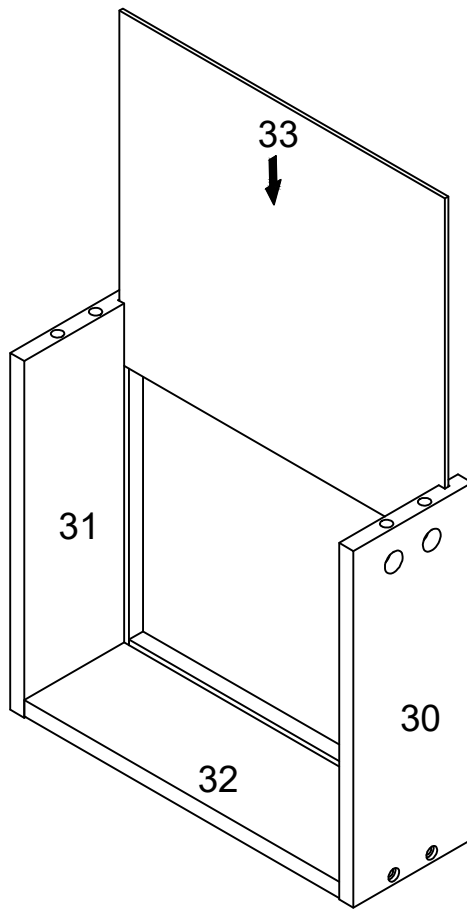
C

X10

Step 29



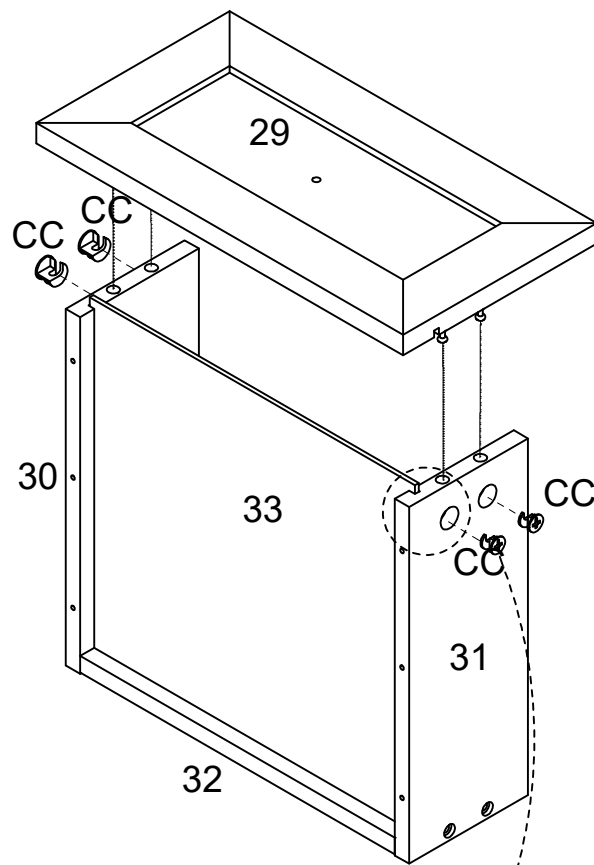
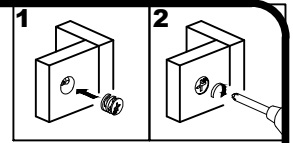
N

X8

Step 30

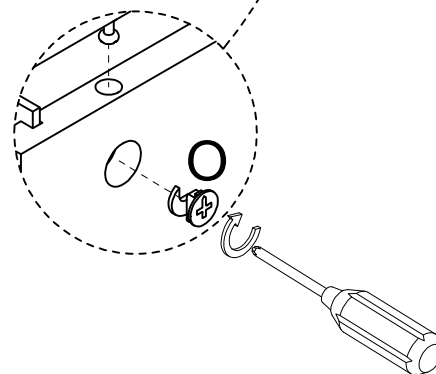



X2

Step 31



X2



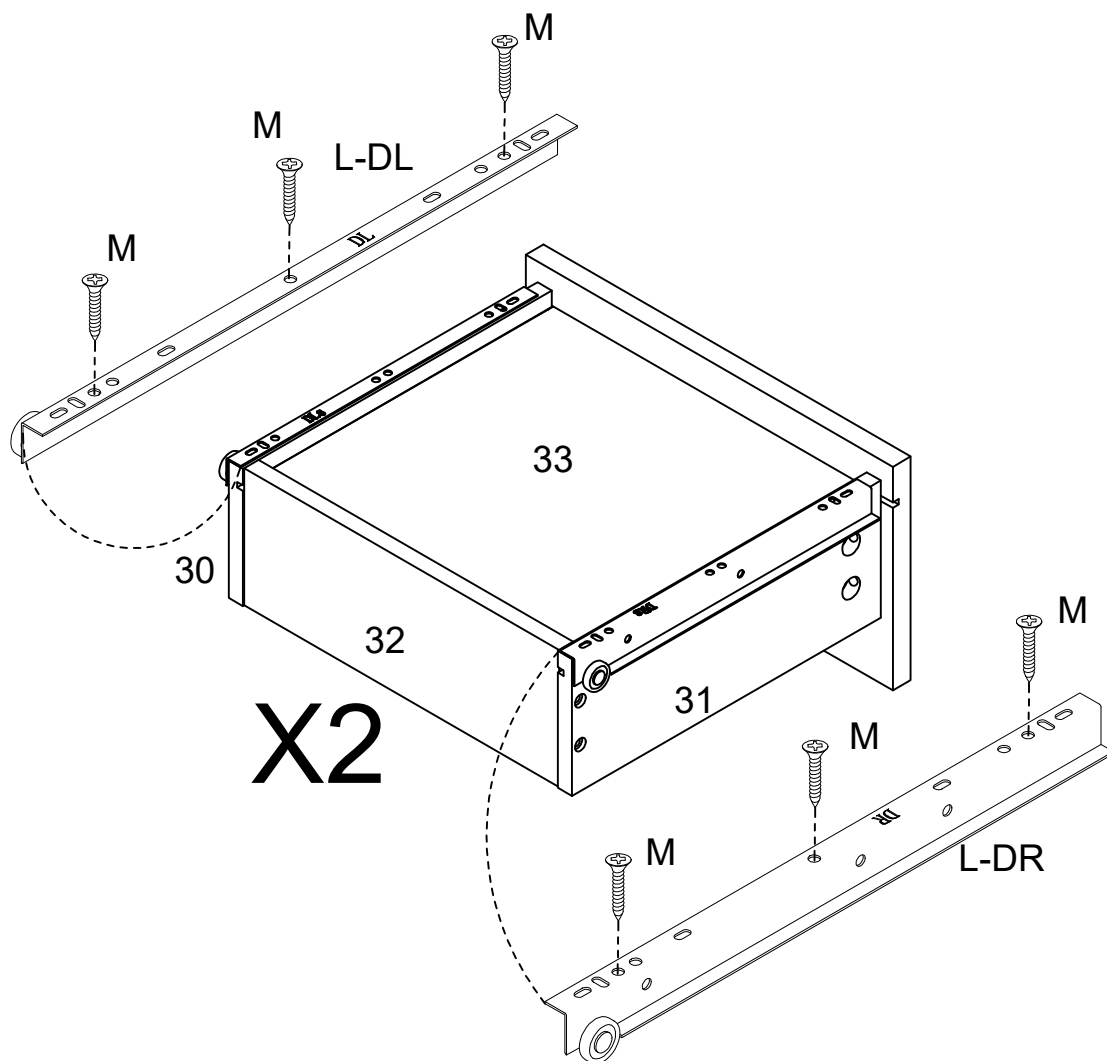
CC

X8

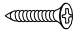
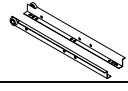
Step 32



NOTE:

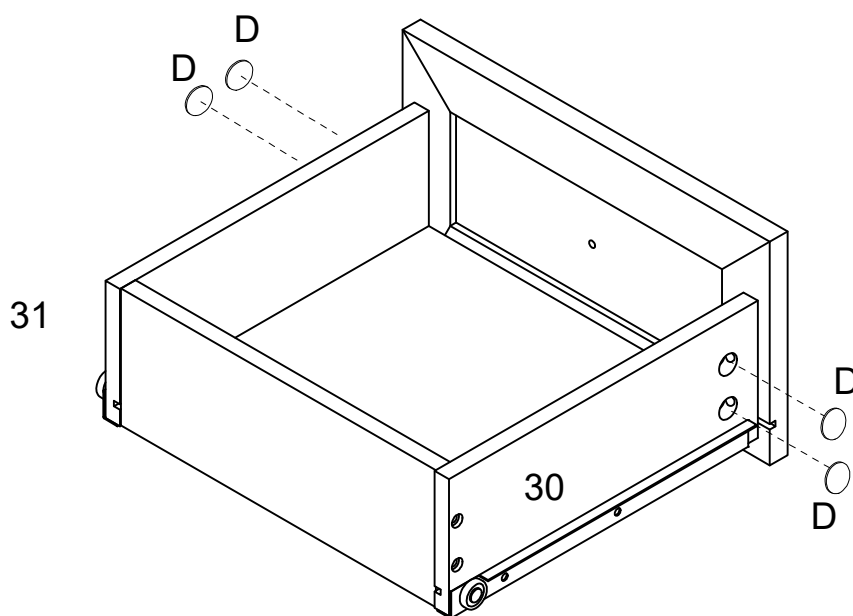
Refer to the images to identify L-DL (left) and L-DR (right). Attach L-DL to #30 panel and L-DR to #31 panel. [M] screws must go in the exact spots shown.



M	L
	
X12	X2

Step 33

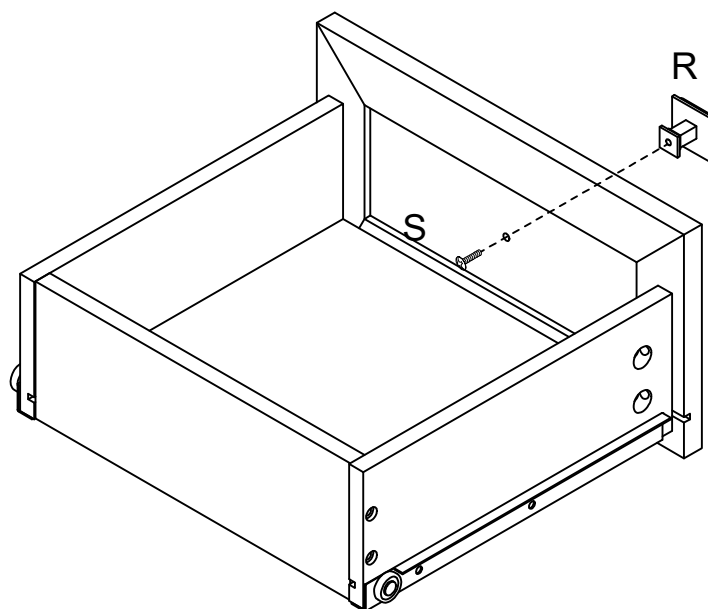
X2

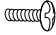



D
O
X8

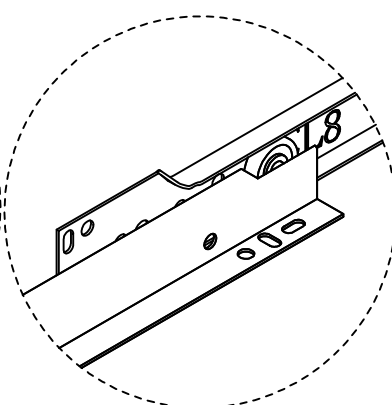
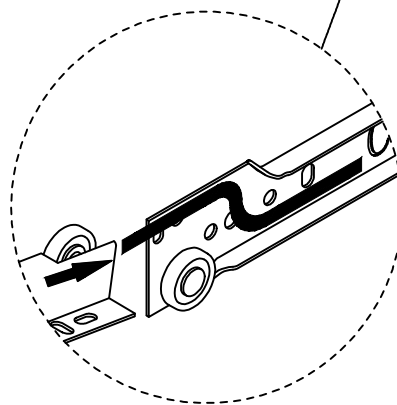
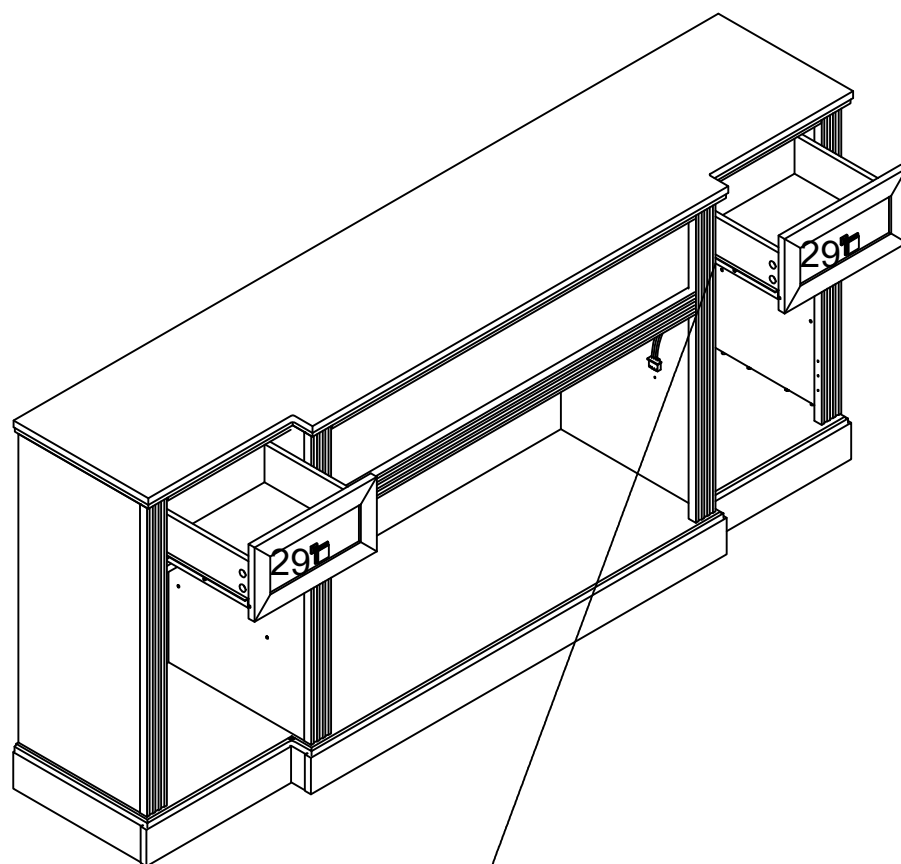
Step 34

X2

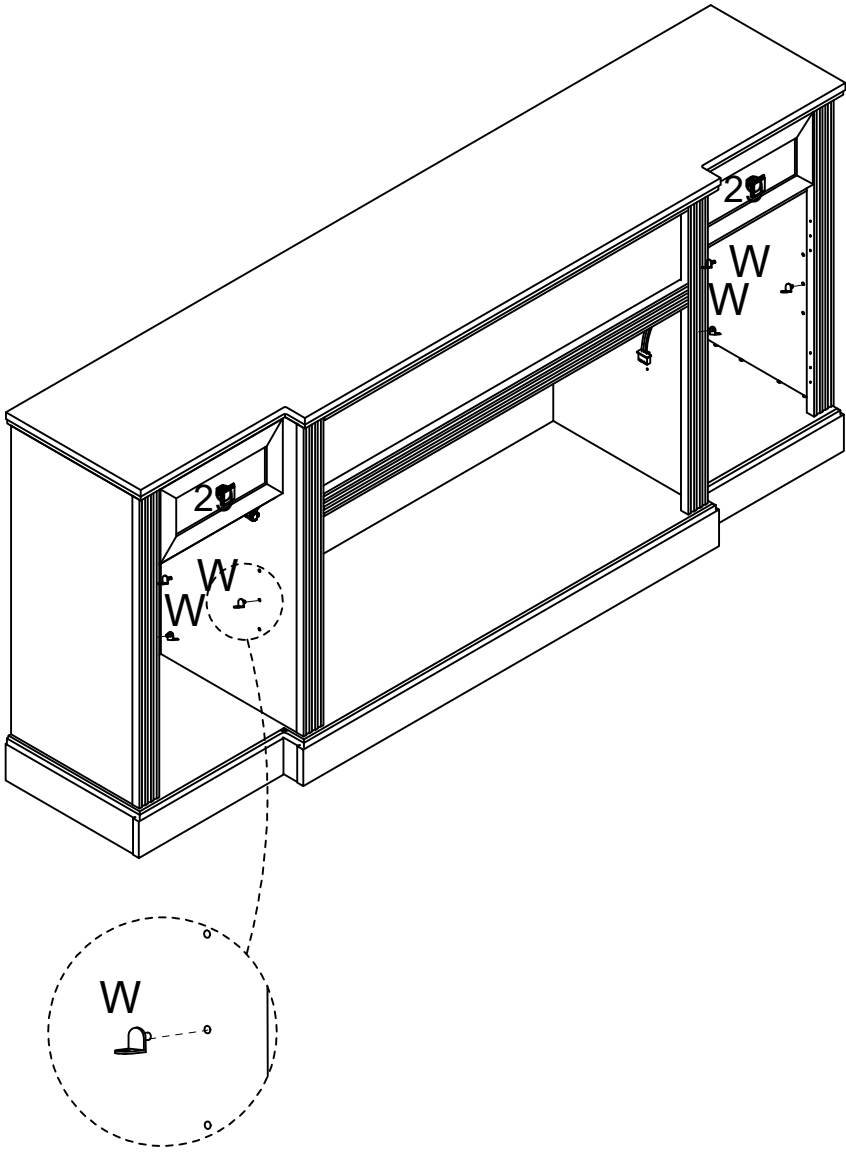


S	R
	
X2	X2

Step 35



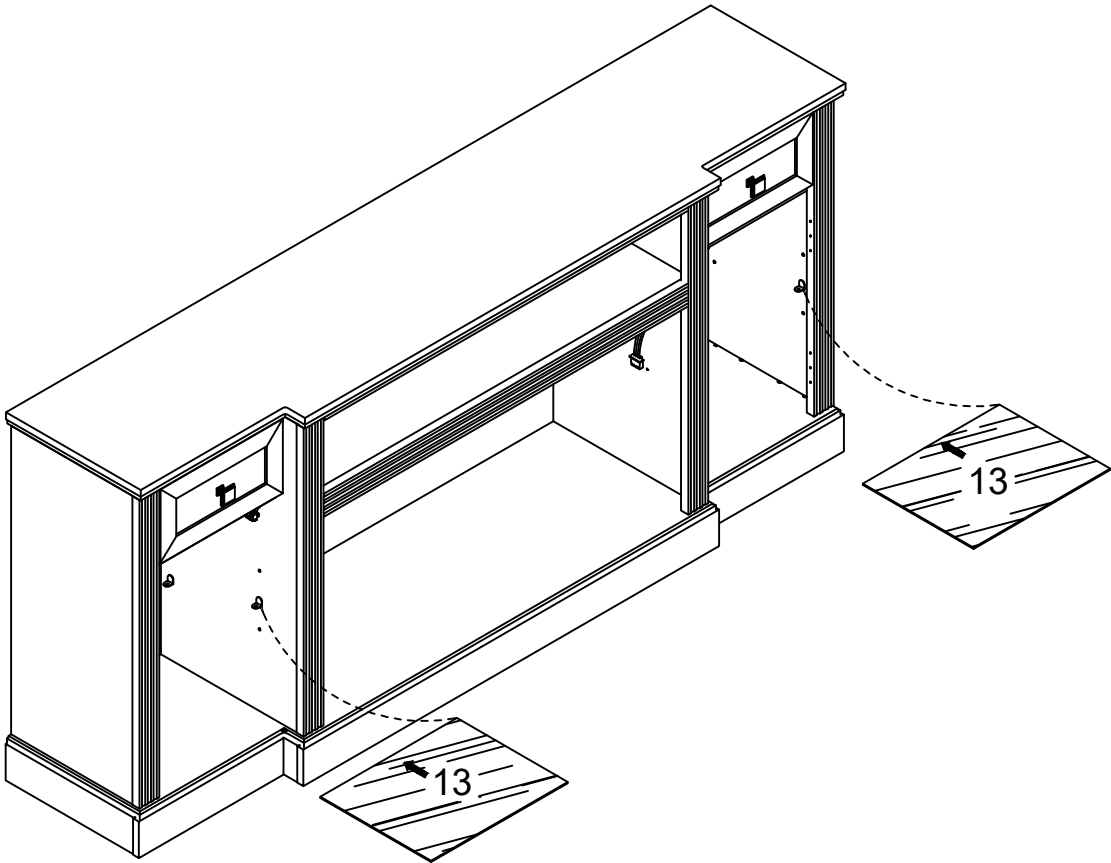
Step 36



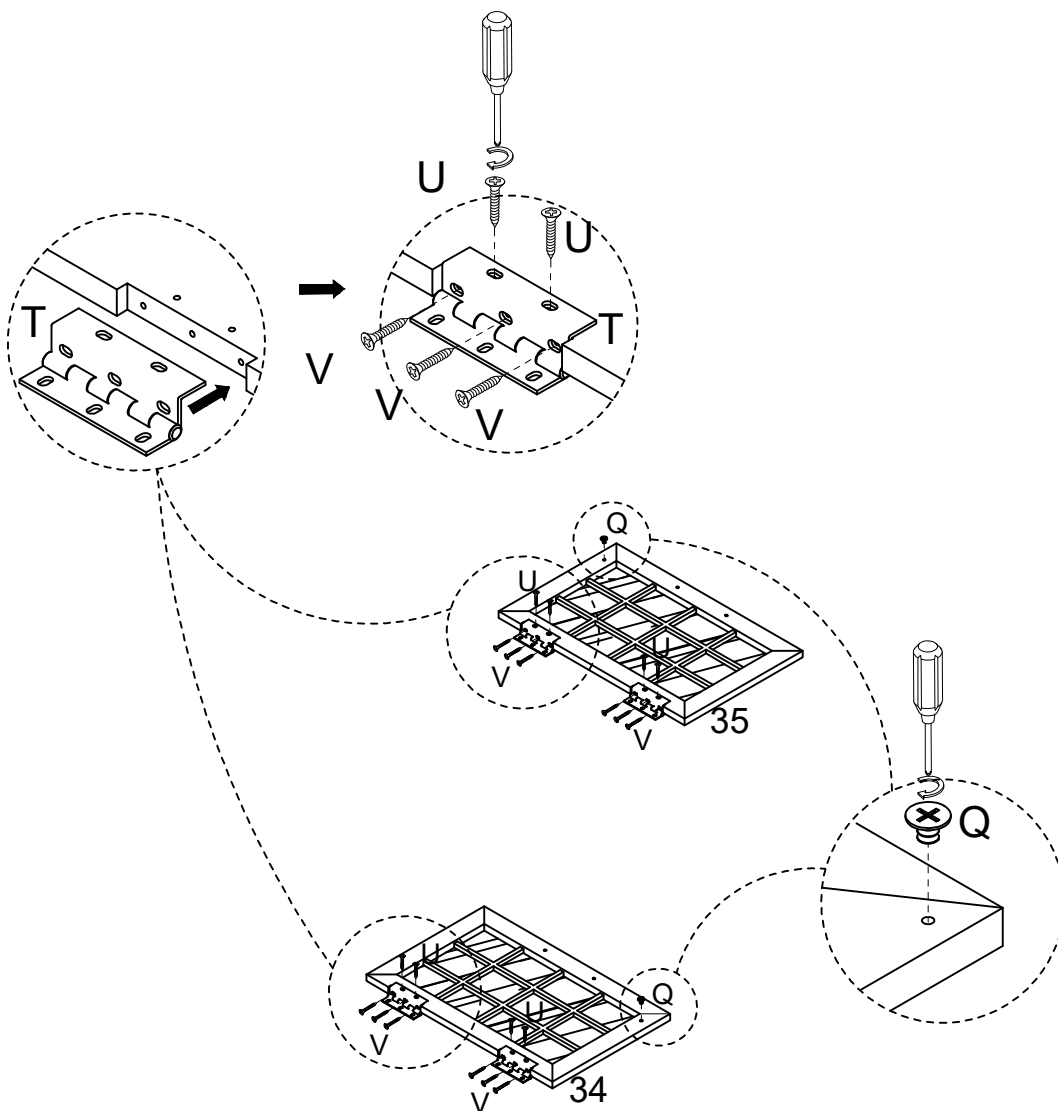
W





X8

Step 37

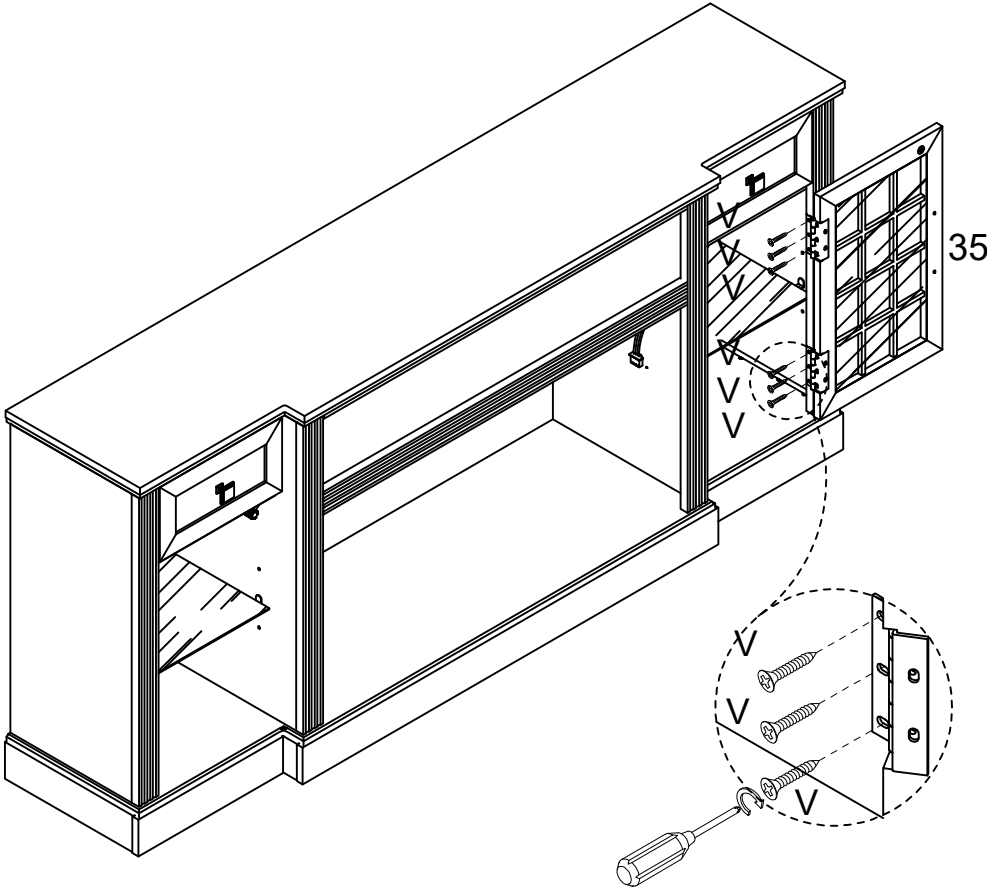



Step 38



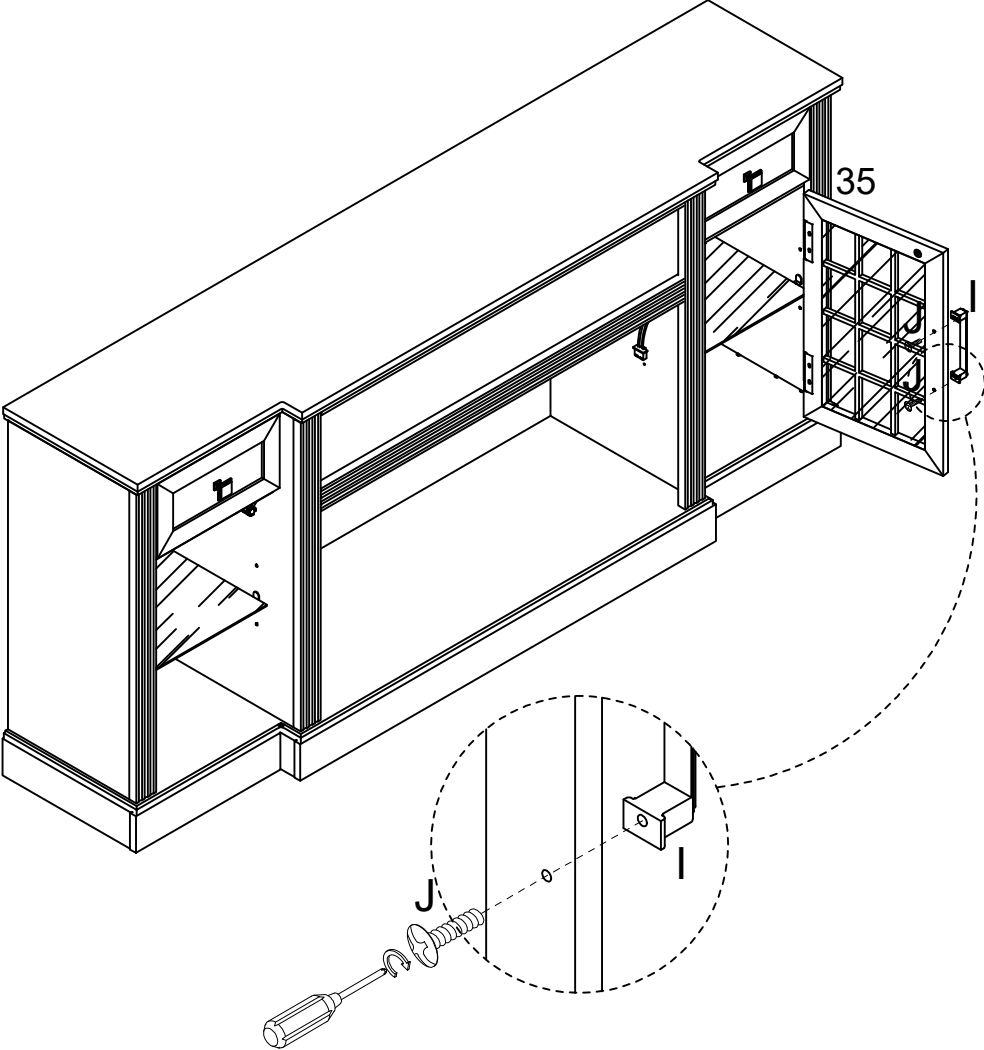
Q	V	U	T
			
X2	X12	X8	X4

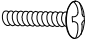

Step 39



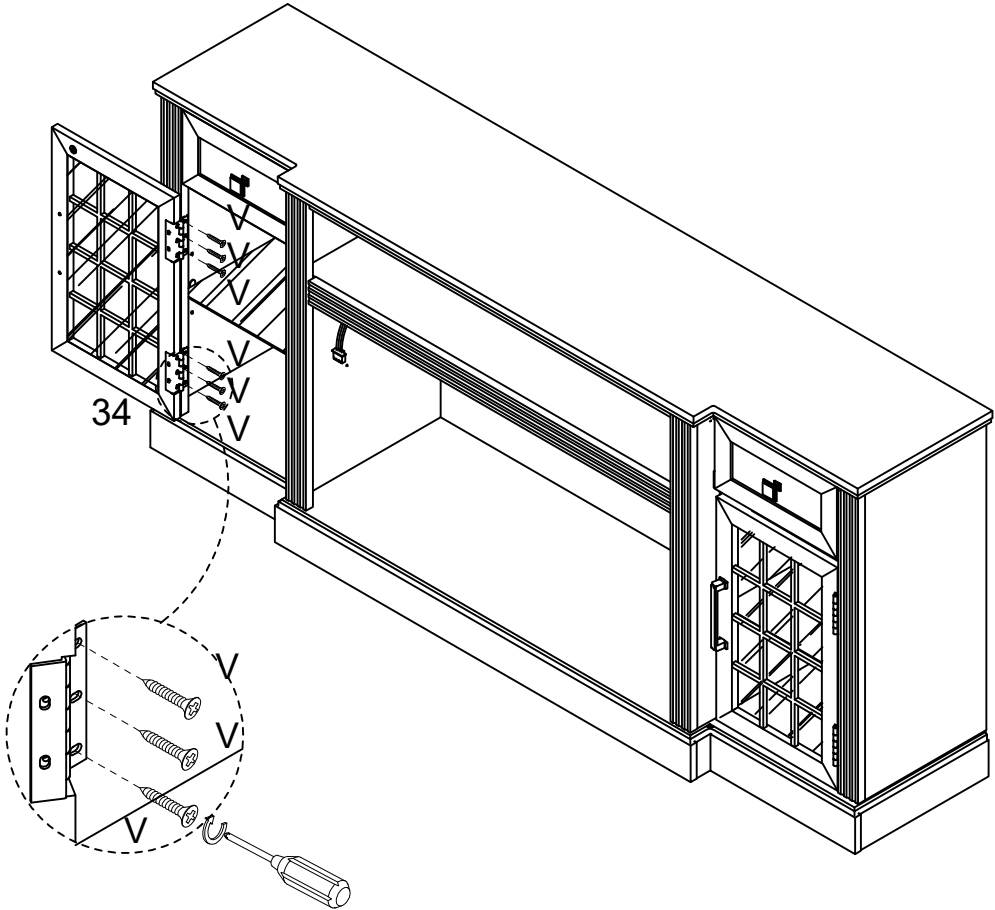
V

X6


Step 40



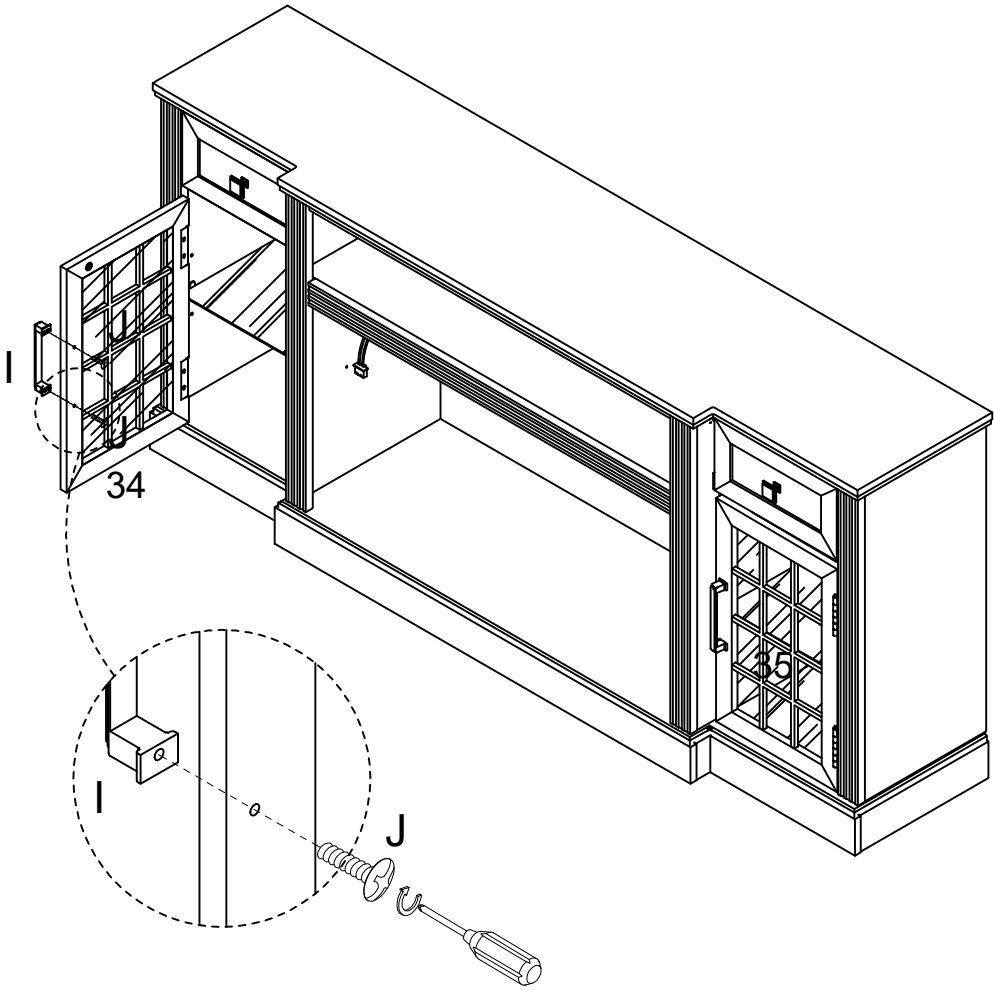
J	I
	
X2	X1



Step 41



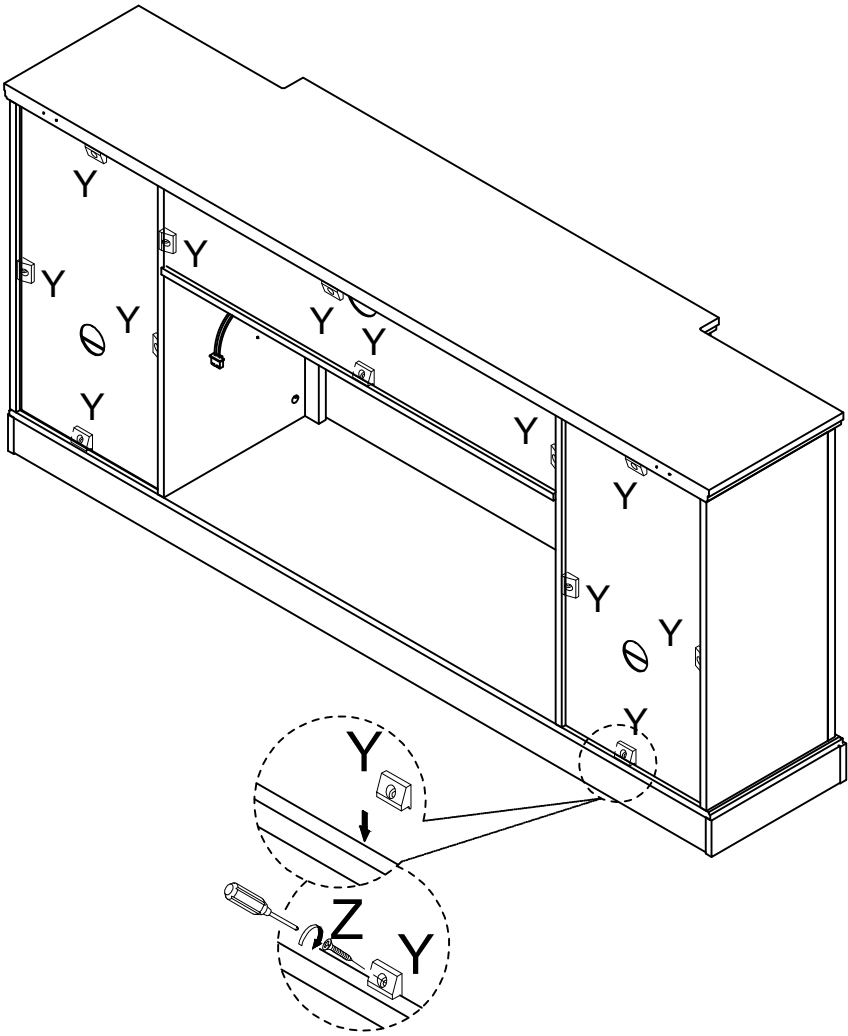
V

X6



Step 42



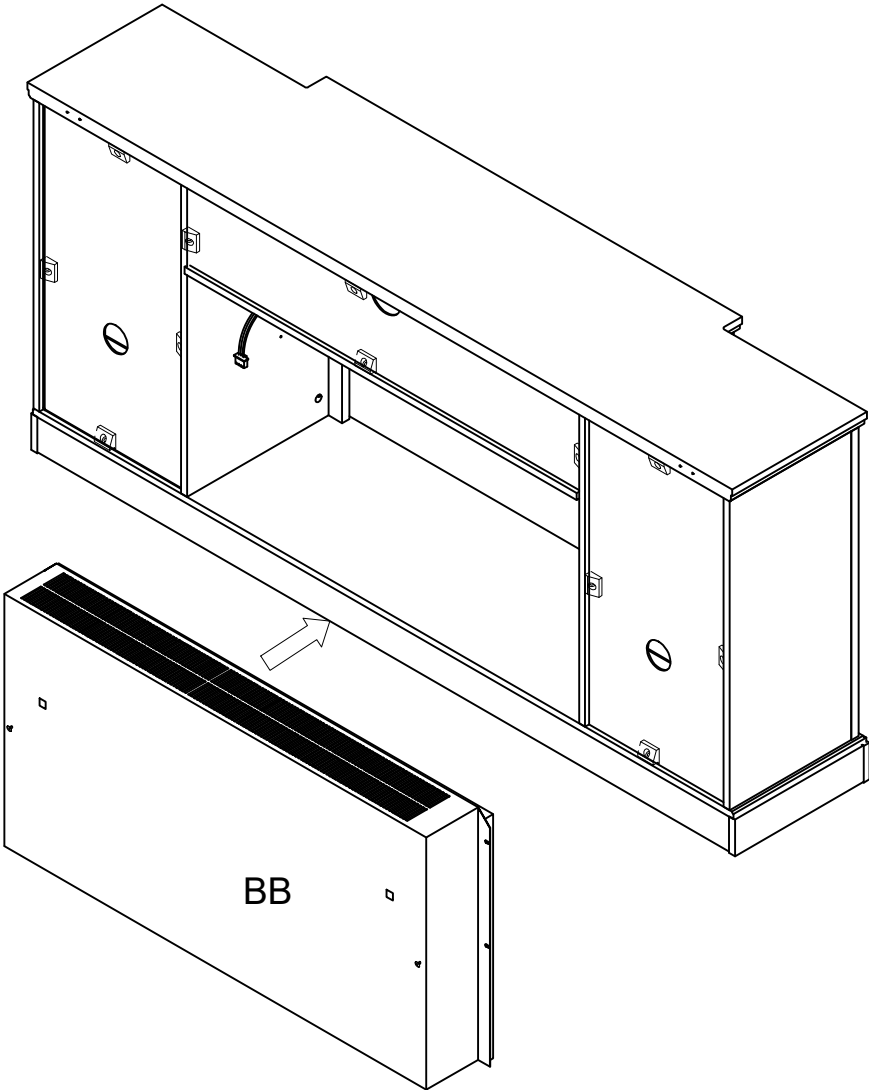
J	I
	
X2	X1

Step 43

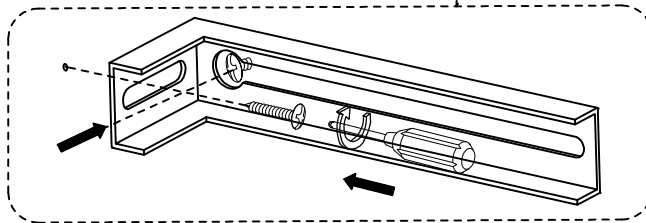
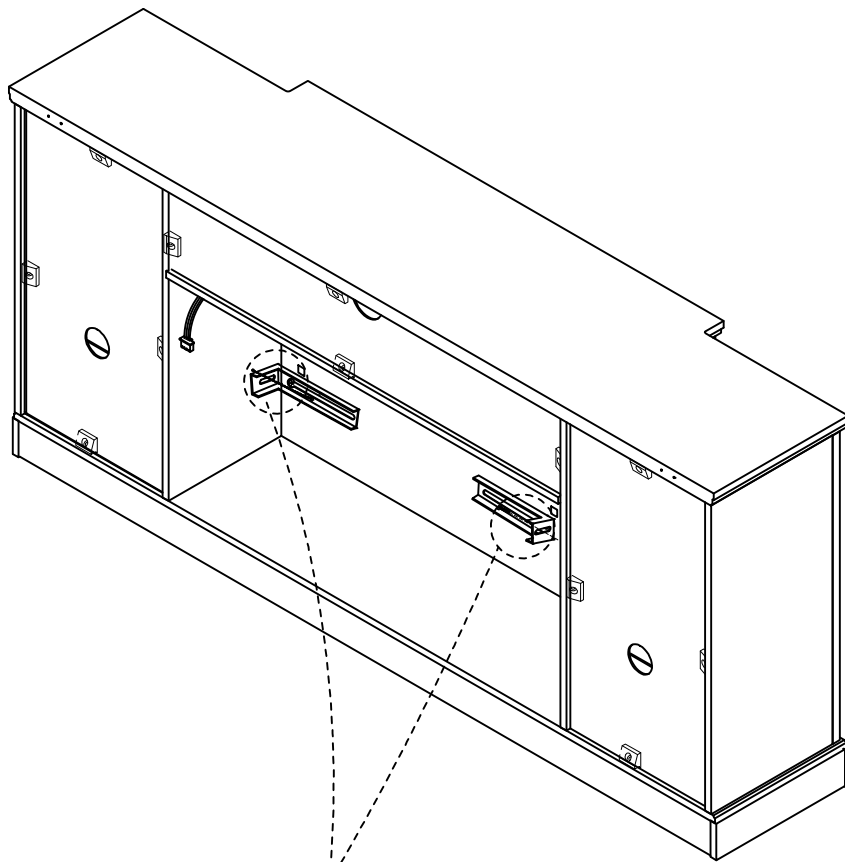


Z	Y
	
X12	X12

Step 44

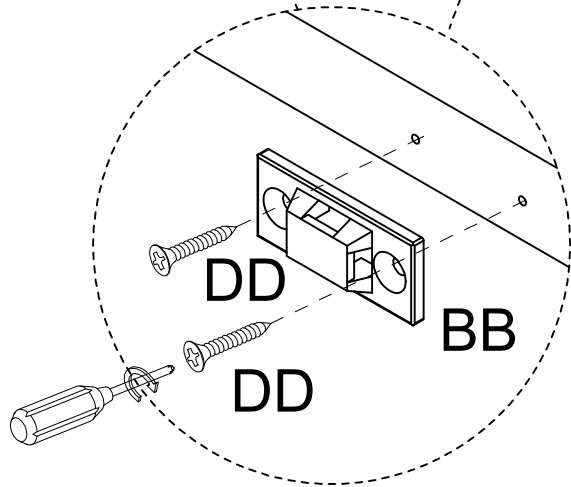
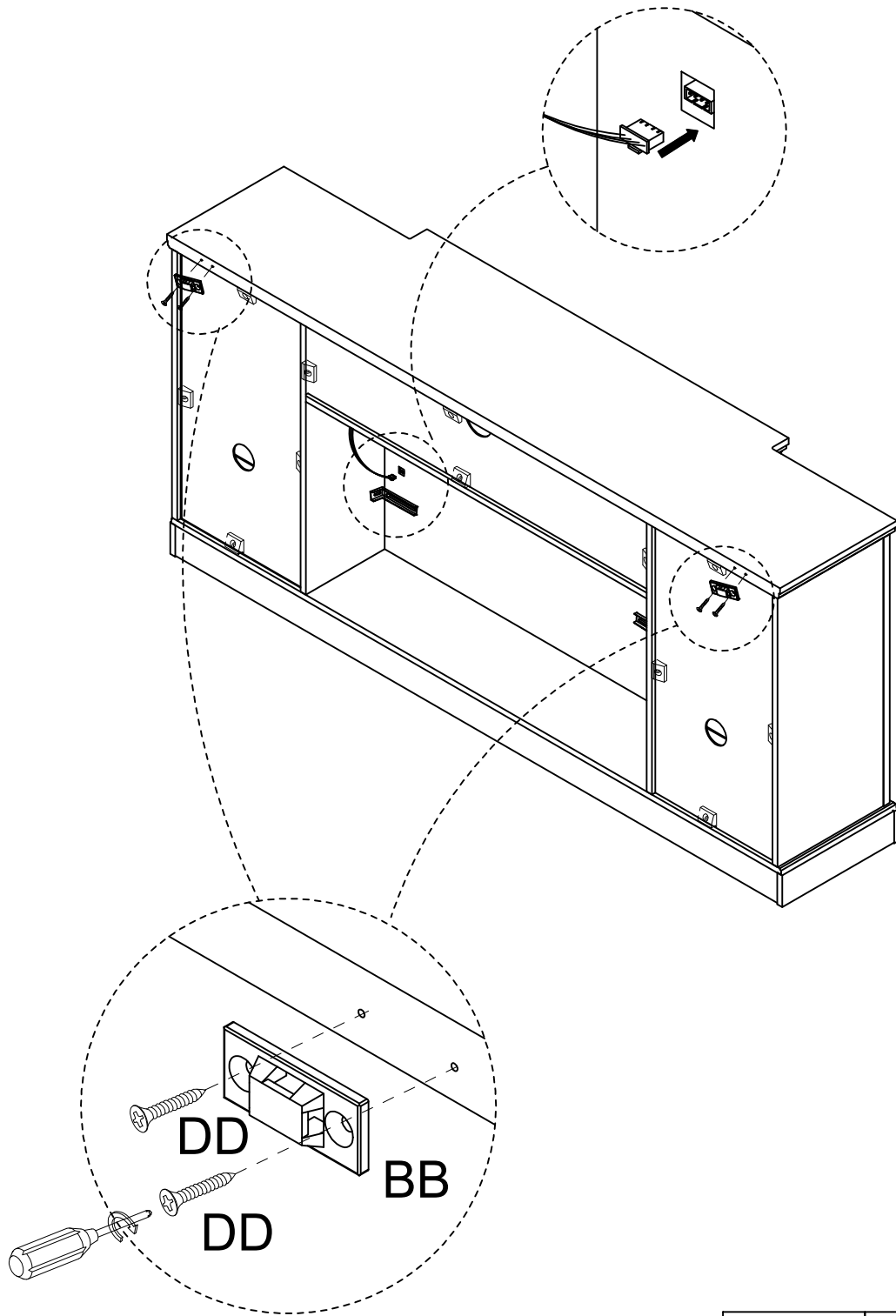


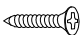

Step 45



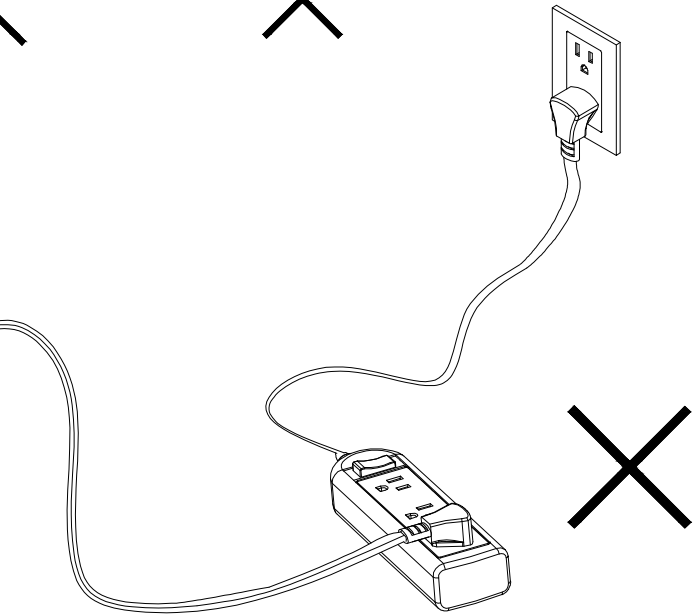
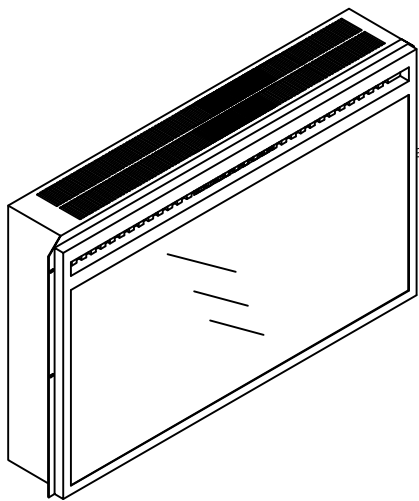
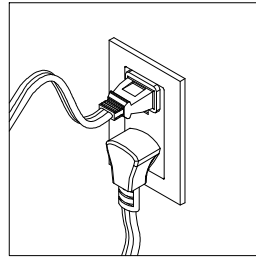
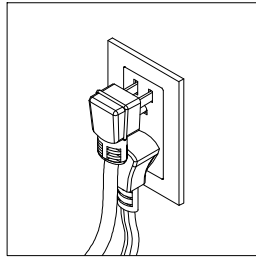
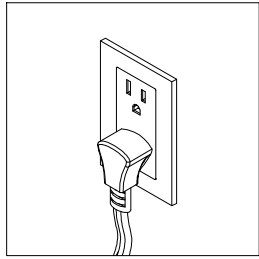
The fireplace blocking parts are in the B packing box, please refer to the fireplace installation instructions for installation steps

Step 46



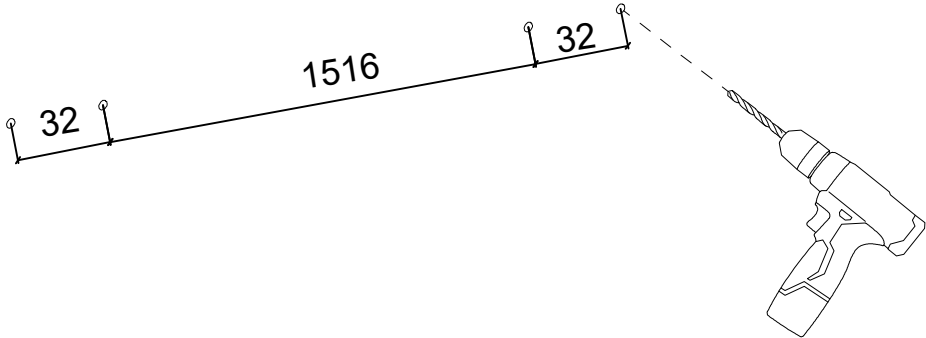
DD	BB
	
X4	X2

Step 47

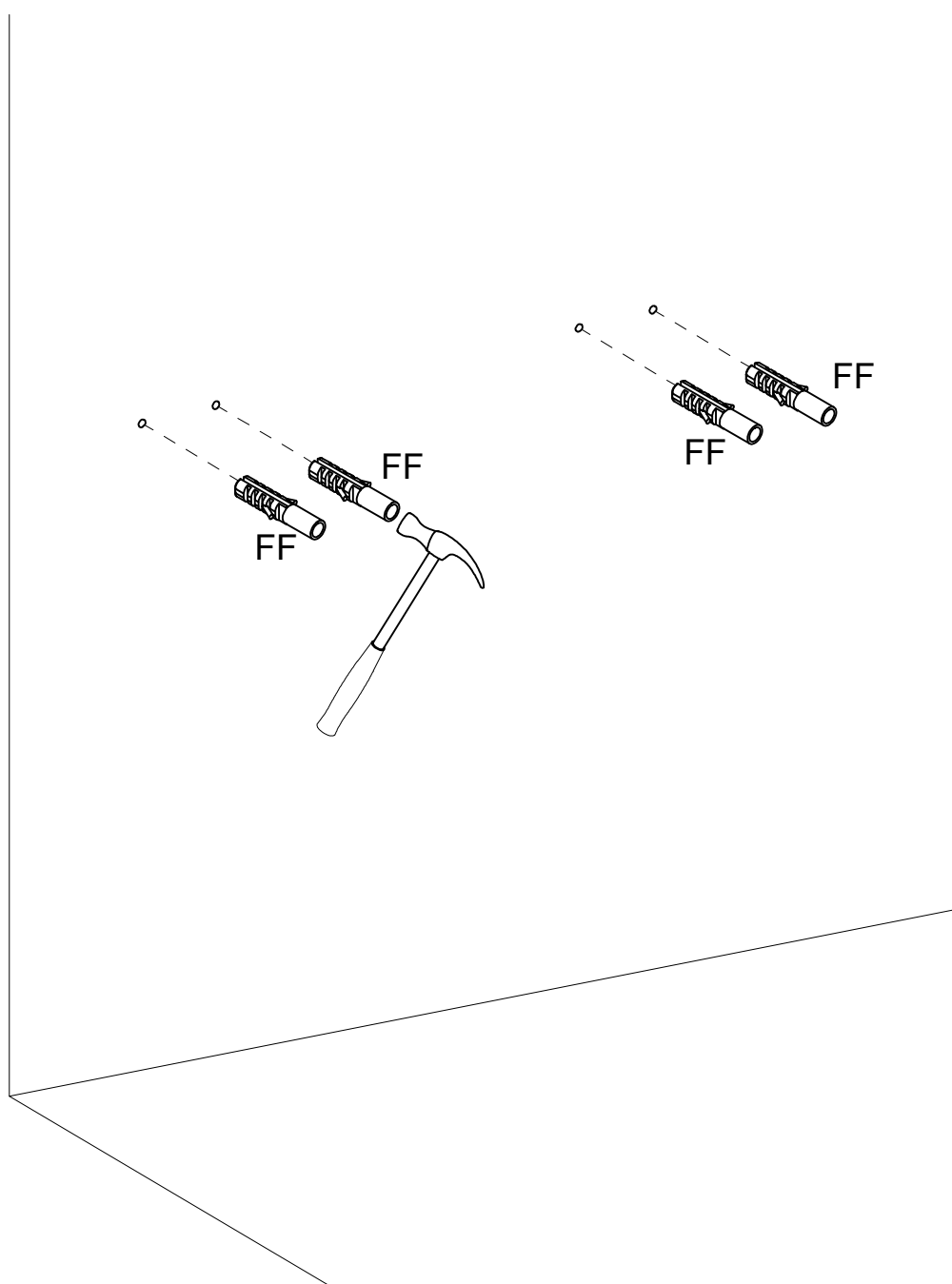



Step 48

Make Four holes 45MM deep

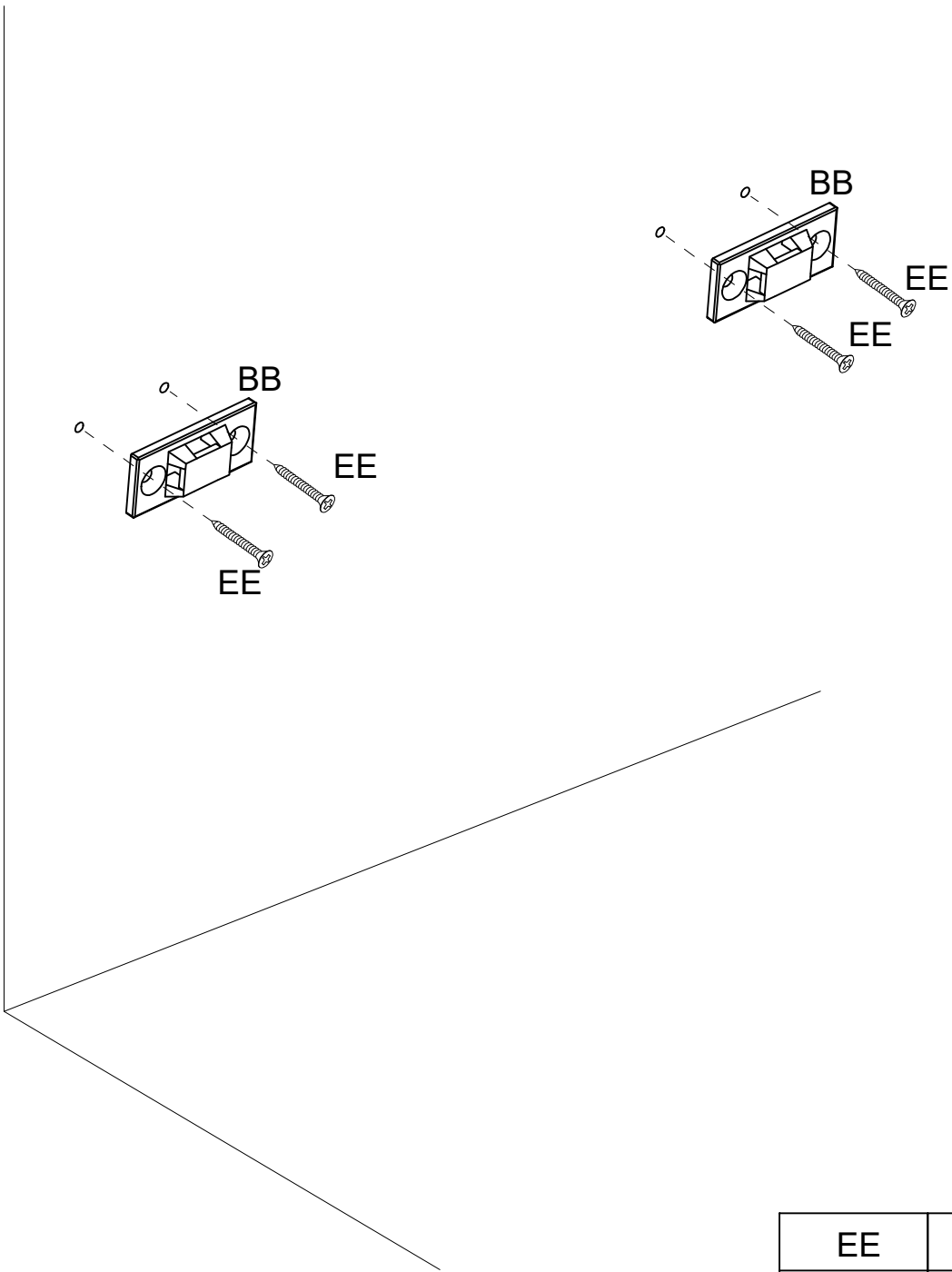




Step 49



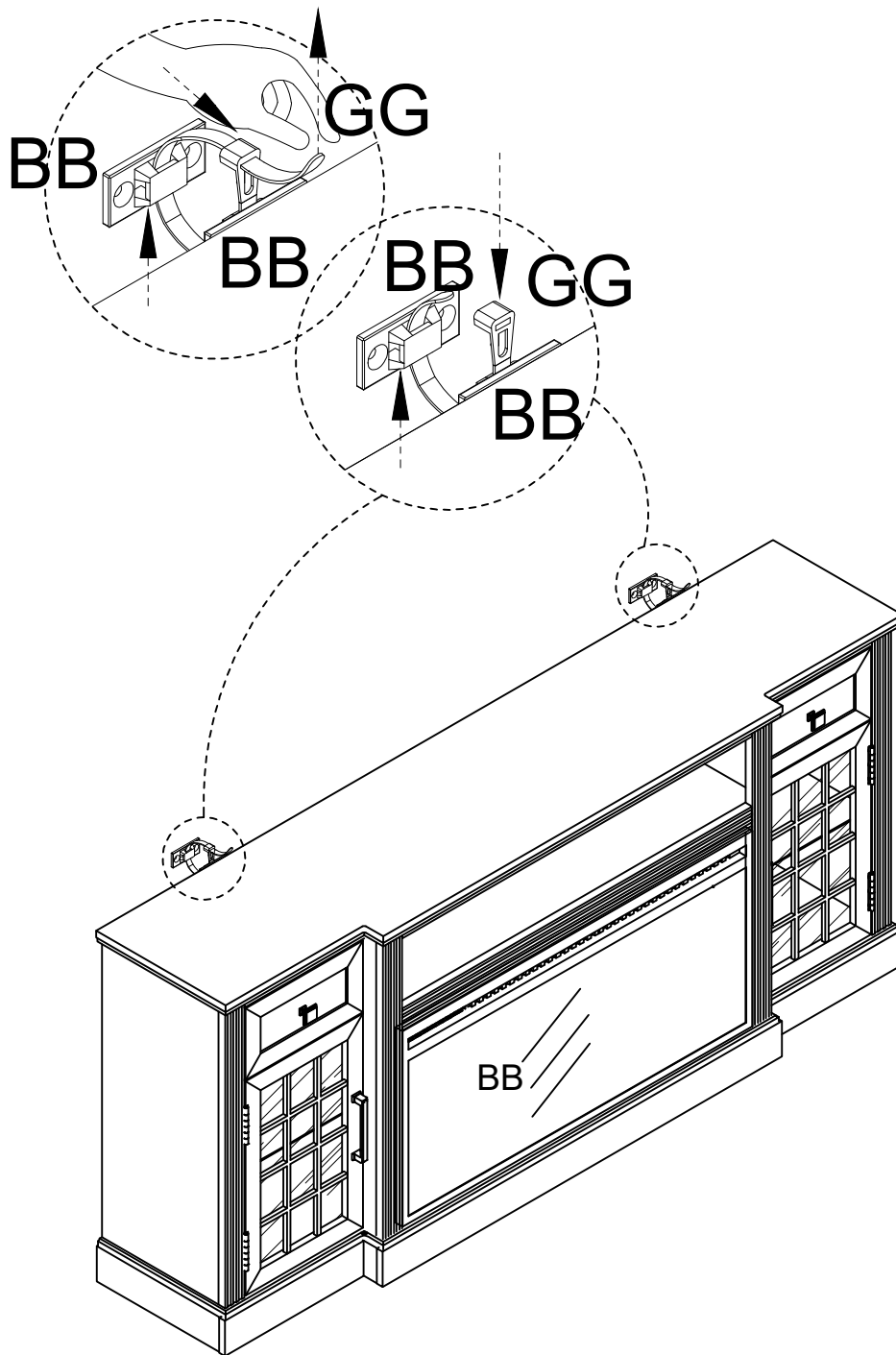
FF

X4


Step 50



EE	BB
	
X4	X2

Step 51



GG

X2

Step 52

