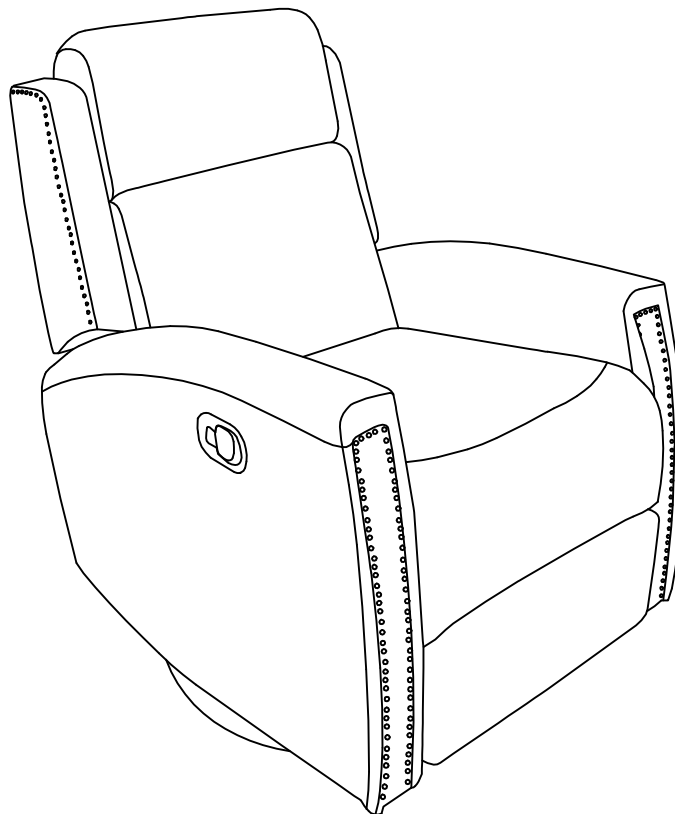


Manual Swivel & Glider Recliner Chair **Assembly Manual**

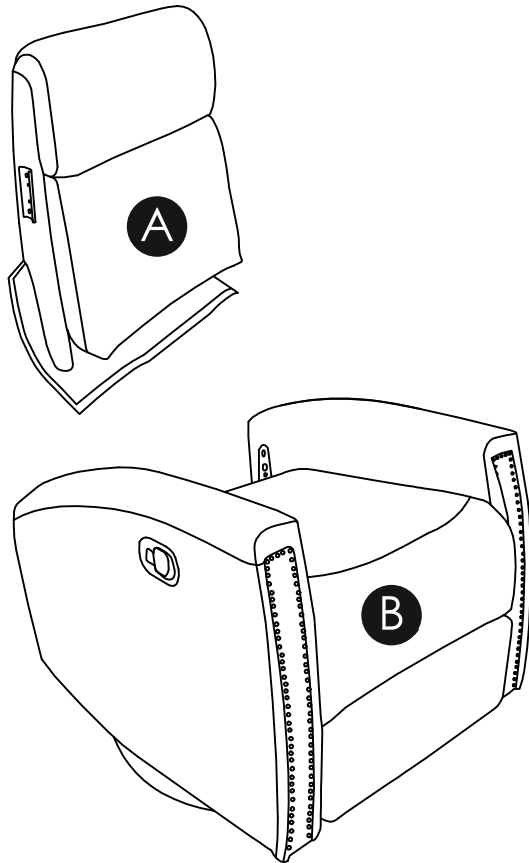


▲ CAUTION

THIS ASSEMBLY MANUAL CONTAINS IMPORTANT SAFETY INFORMATION.

PLEASE READ AND KEEP FOR FUTURE REFERENCE.

COMPONENTS

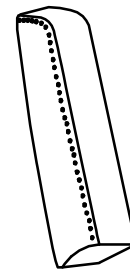


A Chair Back
1X

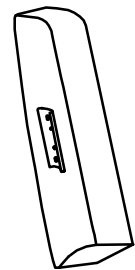
B Chair Base
1X

L Left Wing
1X

R Right Wing
1X

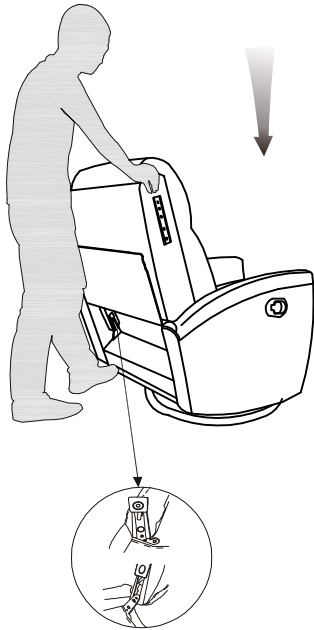


L

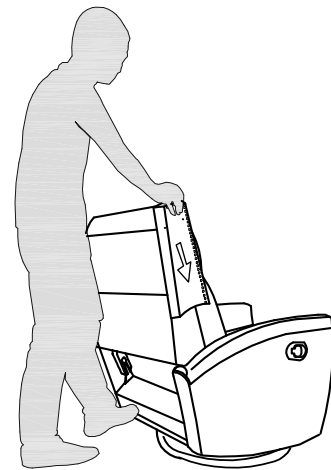


R

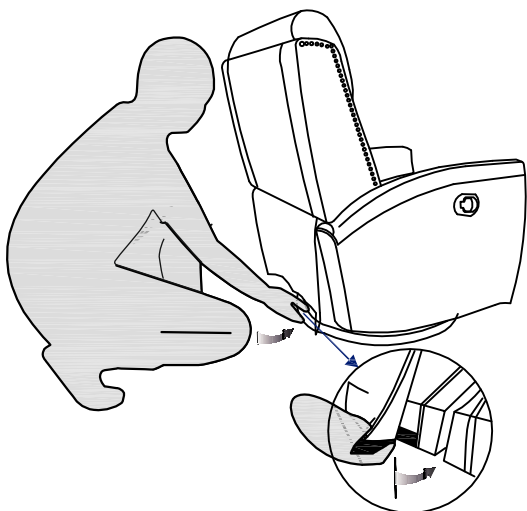
-
- 1** Slide the back into the metallic quick connectors of the base. Push down the back firmly until each side is locked into place and an audible “click” is heard.



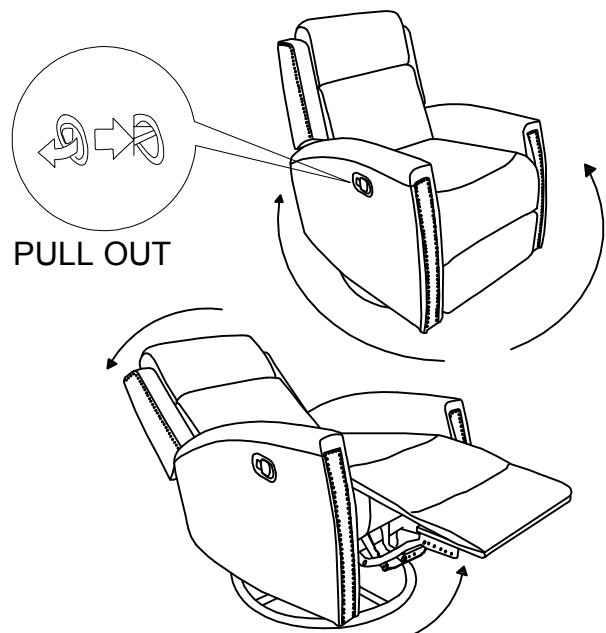
- 2** To the chair back, attach the left and right wings labeled with “L” / “R”.



- 3** Attach the back cover to the bottom of the seat with Velcro.



- 4** Assembly completed, it's ready to use.



PRODUCT WARRANTY

- 1-year limited on cover against splitting, peeling, and/or tearing .
- 1-year limited on internal and external frame structure
- 1-year limited on cushioning material, seat springs and mechanism

Contact us:

We make all efforts to guarantee that the products you receive are in excellent condition. If there are any parts missing or damaged, the Customer Service Team will be happy to provide free replacements for you. We have professional warehouses where the current inventory of parts is enough so that they will arrive in your hands as fast as possible.

Assistance with assembly or product details is available; don't hesitate to get in touch with us to get priority service.