
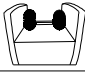


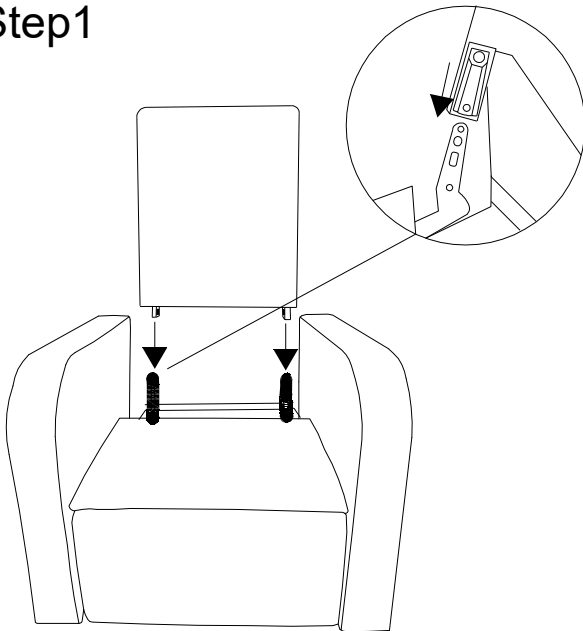


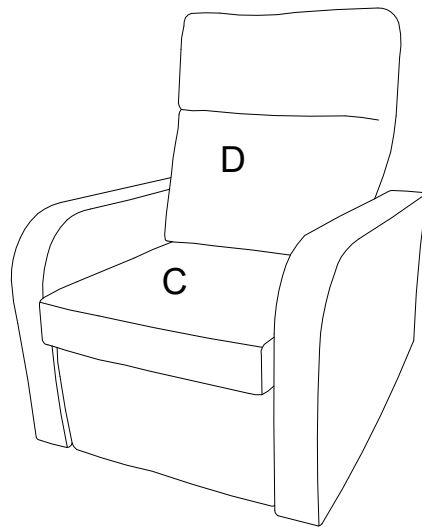
ASSEMBLY INSTRUCTION SHEET

Parts list			
No.	DESCRIPTION	PICTURE	Qty
A	BACK		1
B	SEAT		1
C	CUSHION		1
D	BACK CUSHION		1

Step1



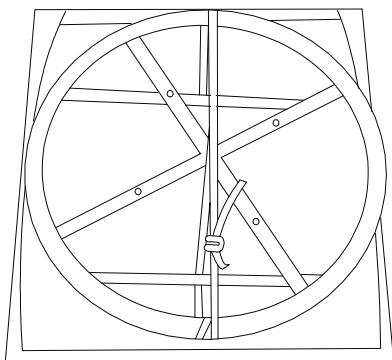
Step2



Assembly Steps:

Step 1: Firstly, please place the base (B) flat on the floor. Next, insert the back (A) into the base (B). Make sure to insert it completely. If you encounter any difficulty during the insertion process, insert the shaft through a twisting motion when inserting it into the bushing part.

Step 2: Putting the cushion (C) on it.



- The bottom turntable is fixed with straps. Please remove them before use. Then the chair is now ready for use.