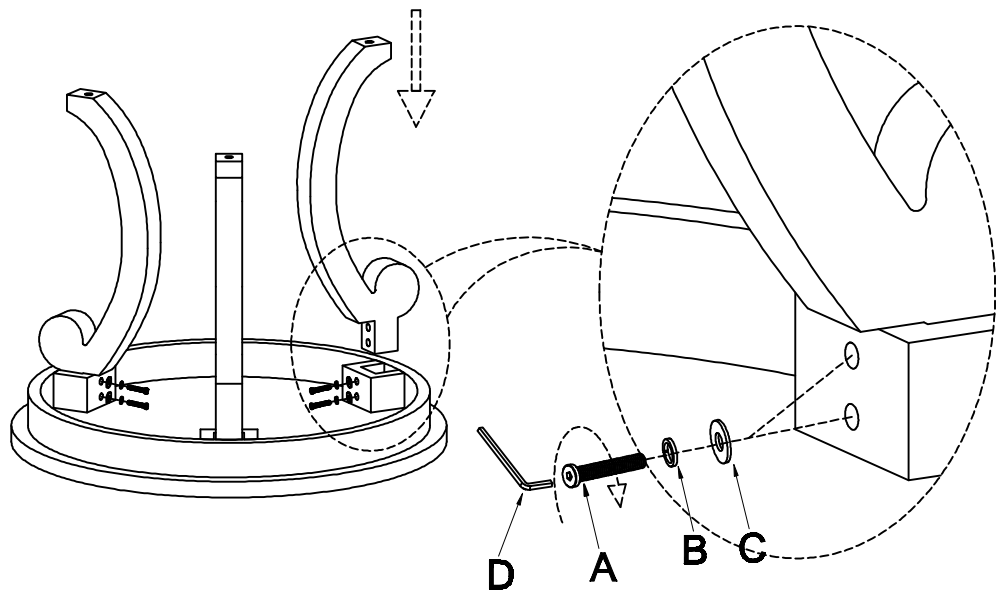


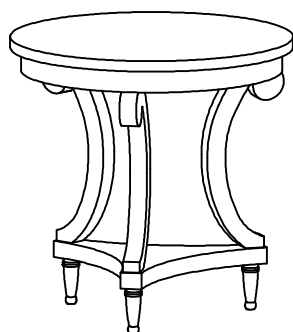
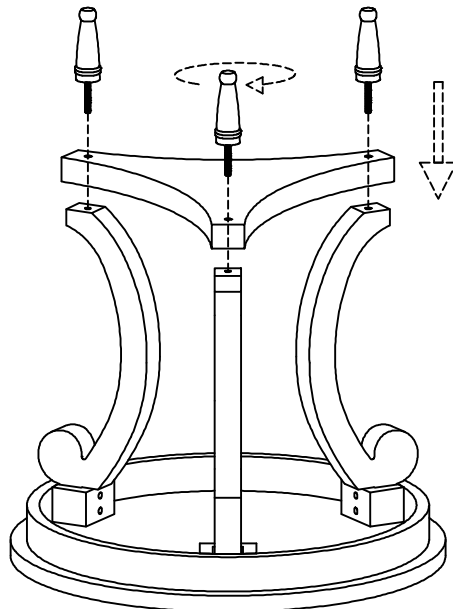
ASSEMBLY INSTRUCTION





8133-AT

STEP1



STEP2



NO	DRAWING	SIZE	QTY
A		$\Phi 5/16'' * 1-1/2''$	6pcs
B		$\Phi 5/16''$	6pcs
C		$\Phi 5/16'' * \Phi 19$	6pcs
D		5mm	1pc