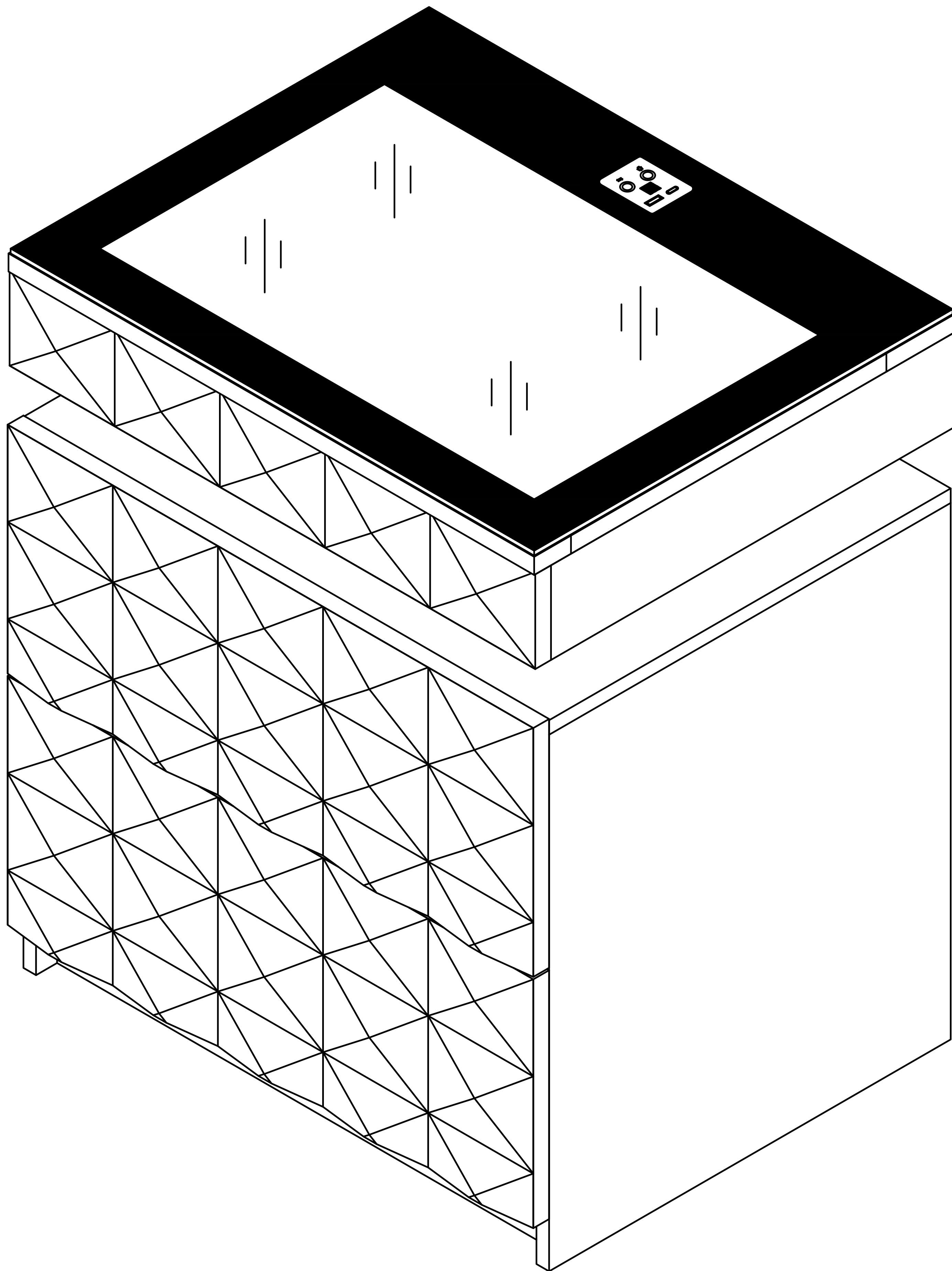
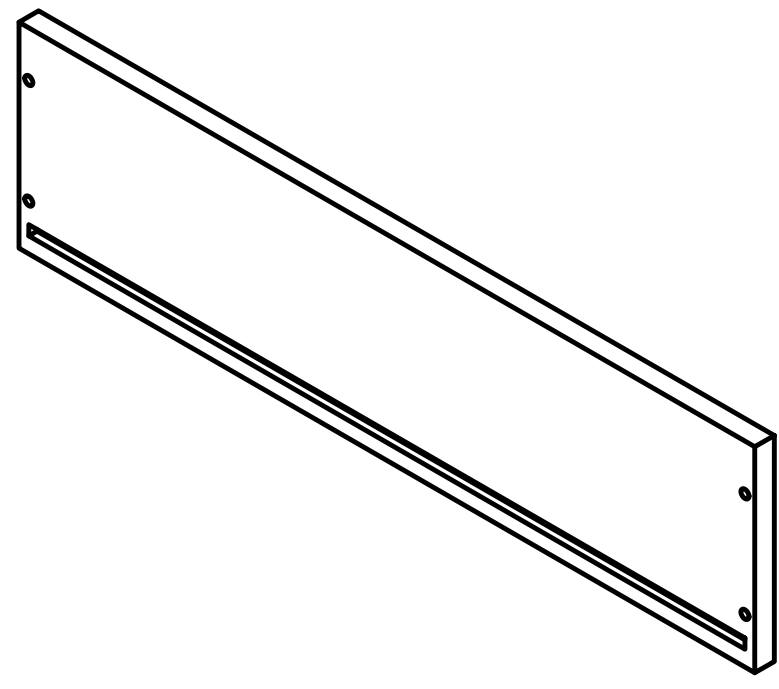
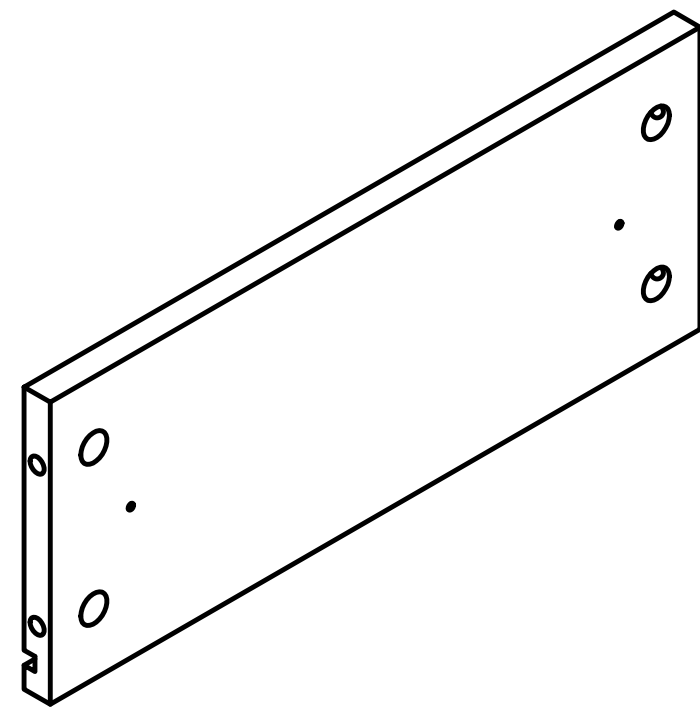


Product Installation Instructions

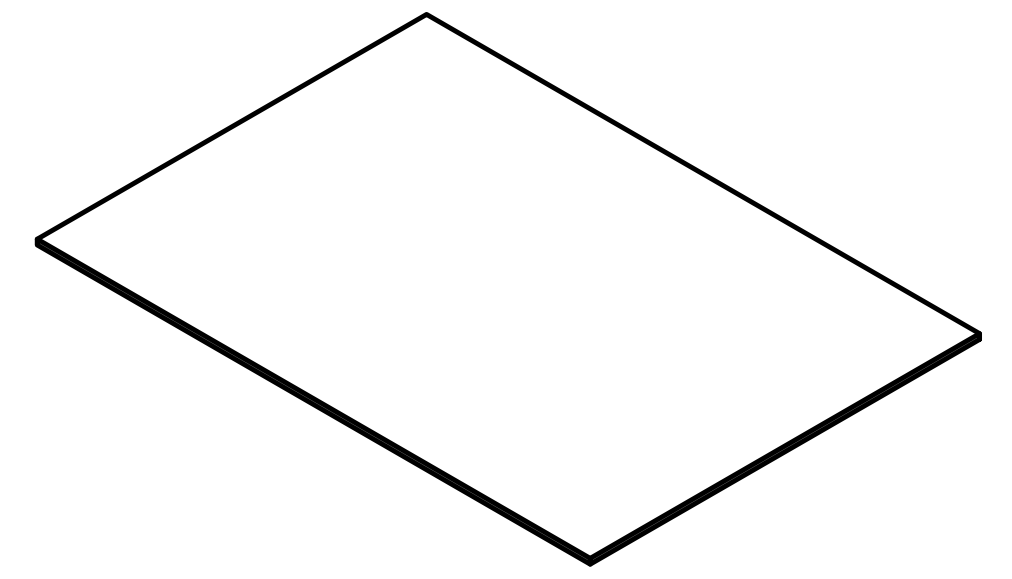




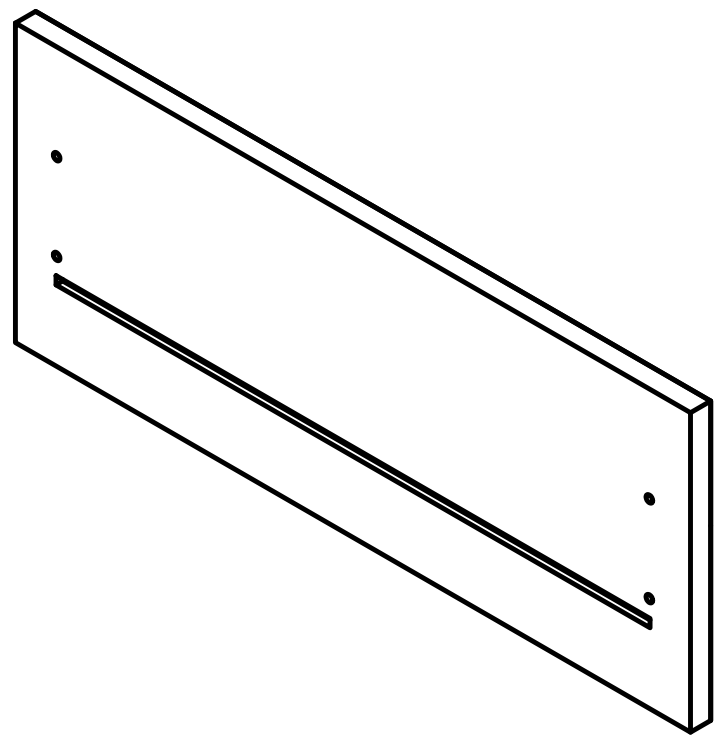
Ax2



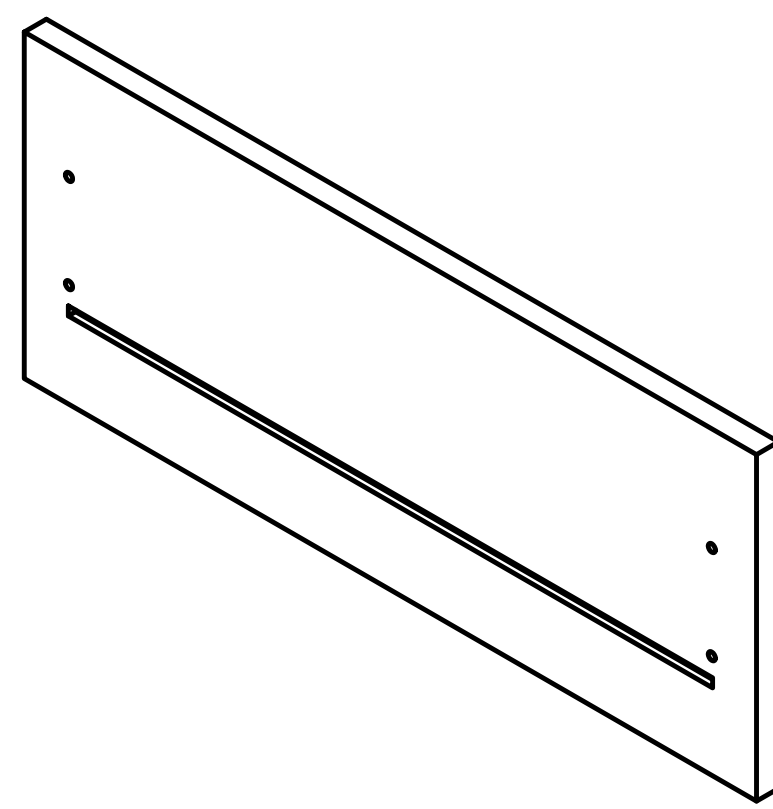
Bx4



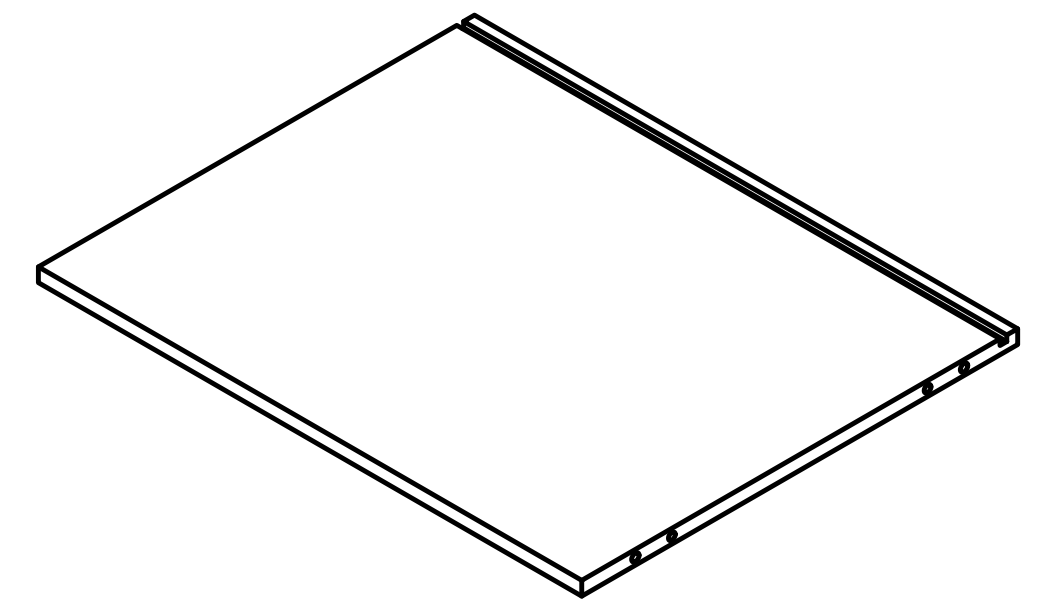
Cx2



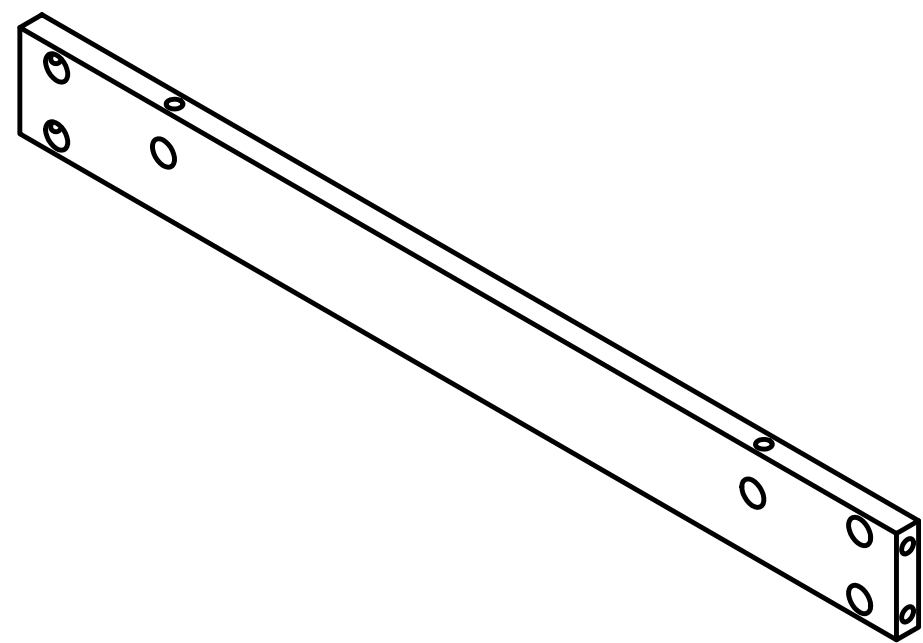
Dx1



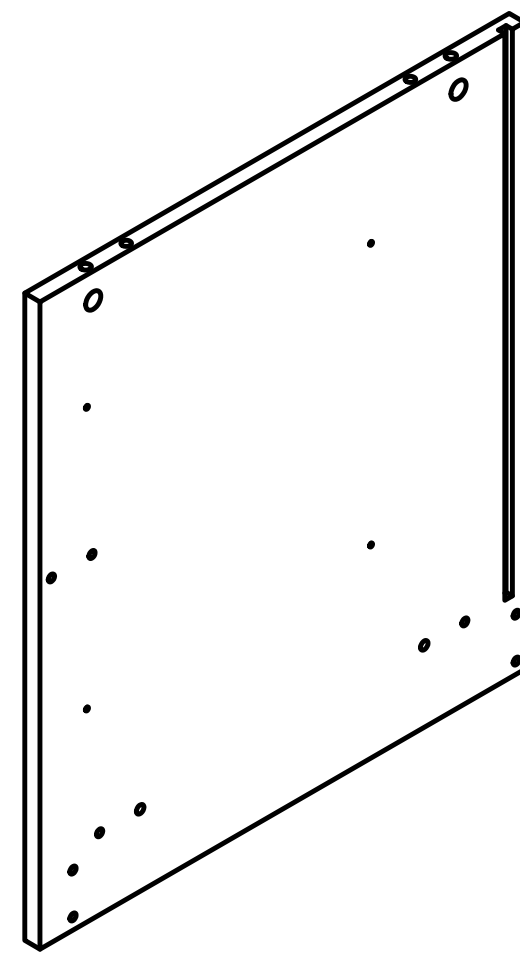
Ex1



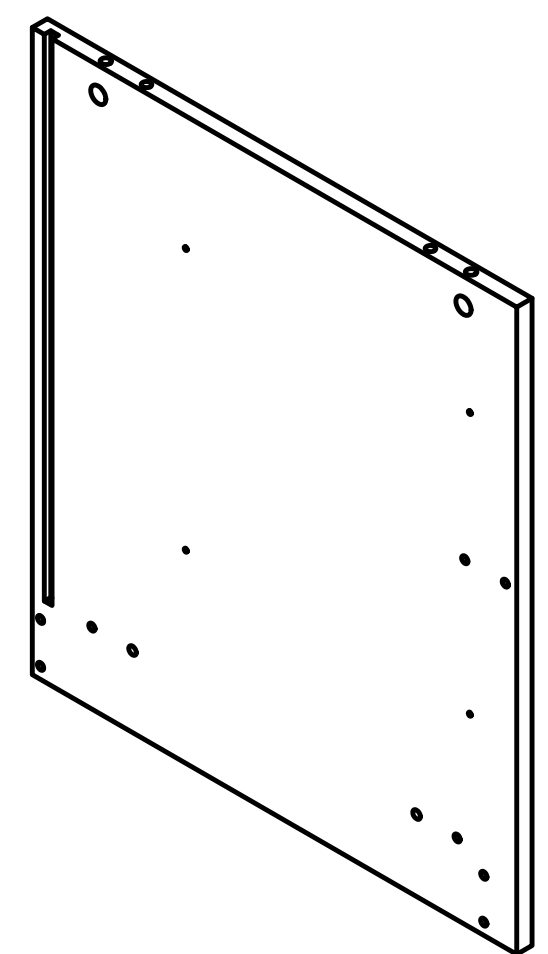
Fx1



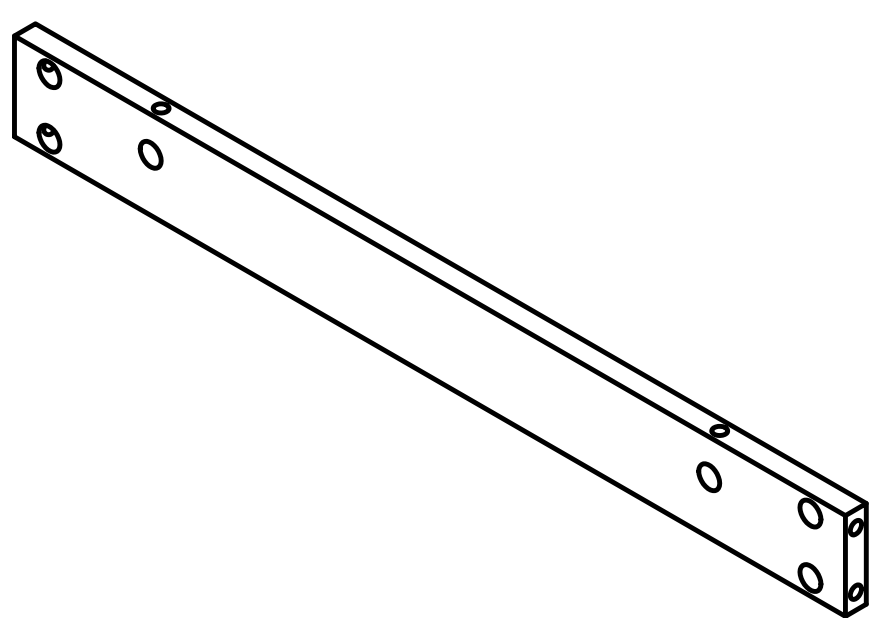
Gx2



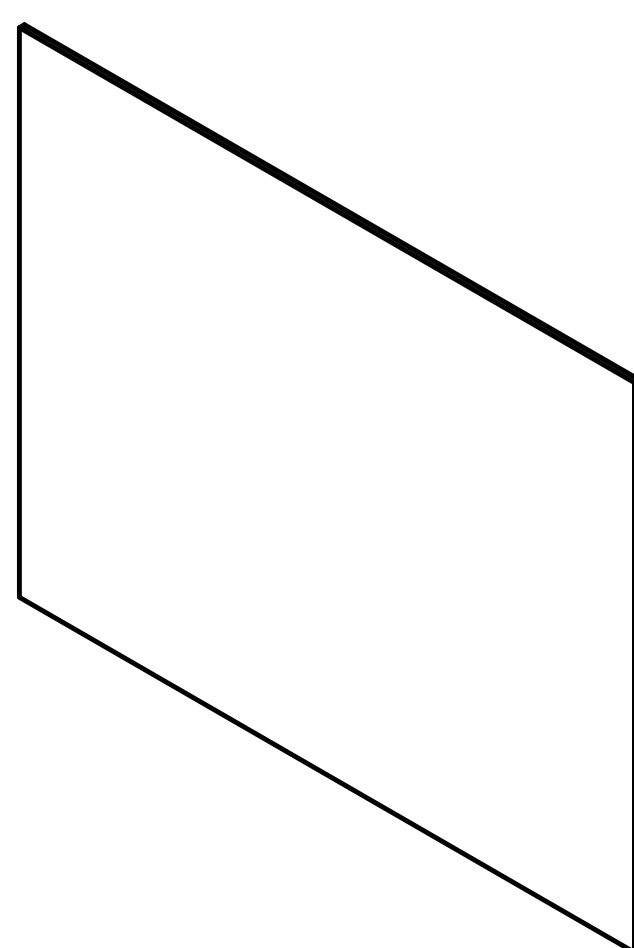
Hx1



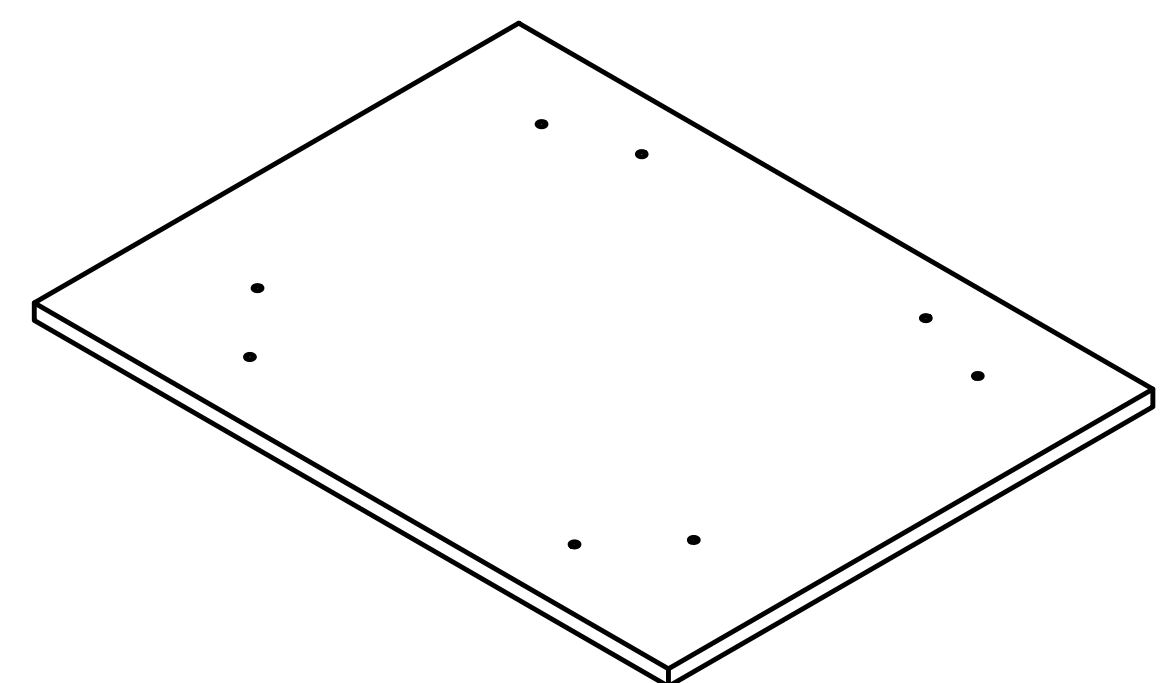
Ix1



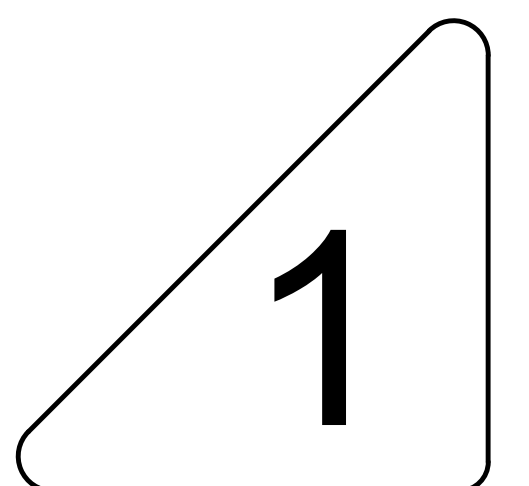
Jx1



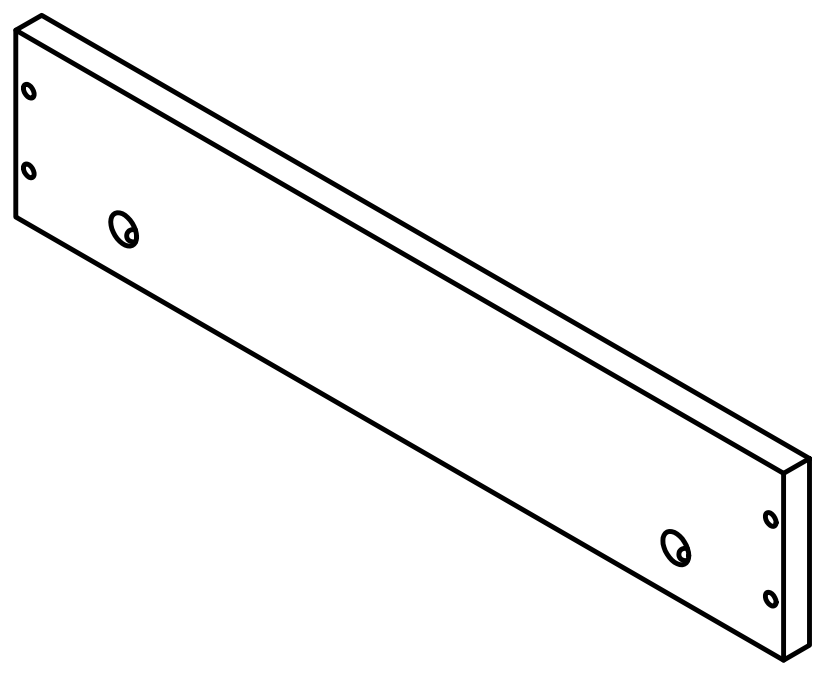
Kx1



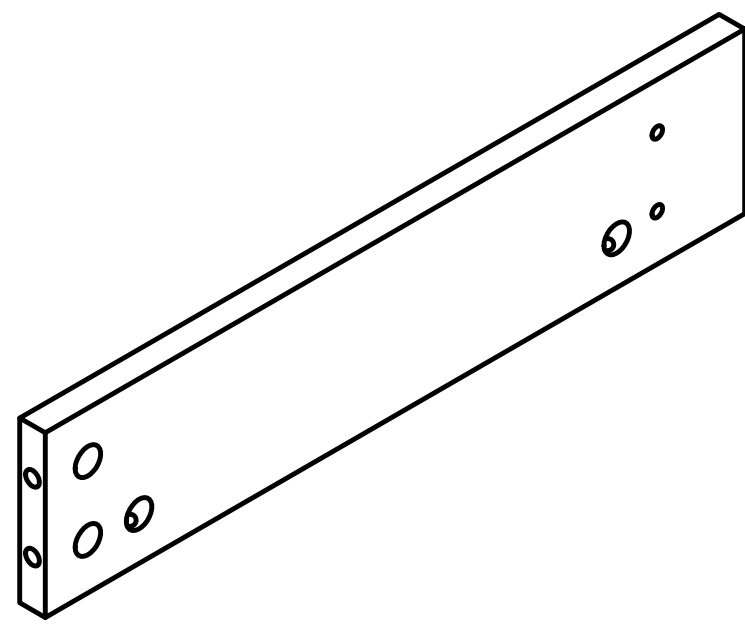
Lx1



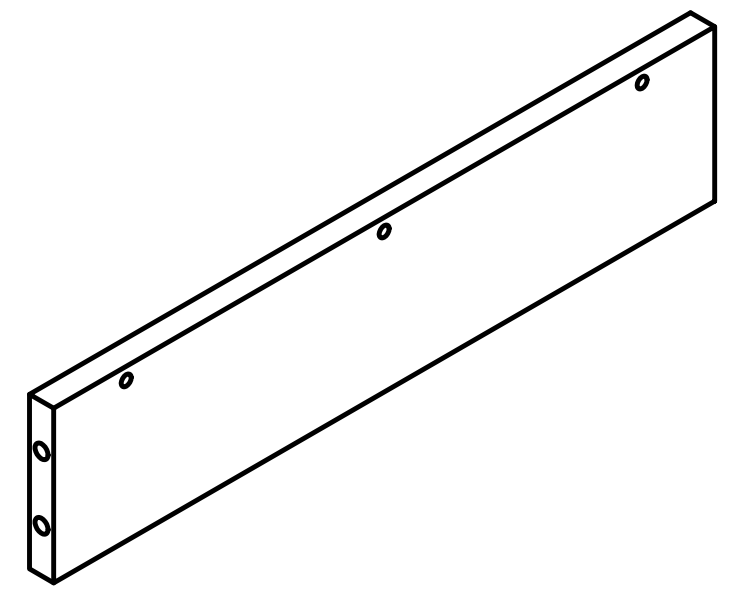
1



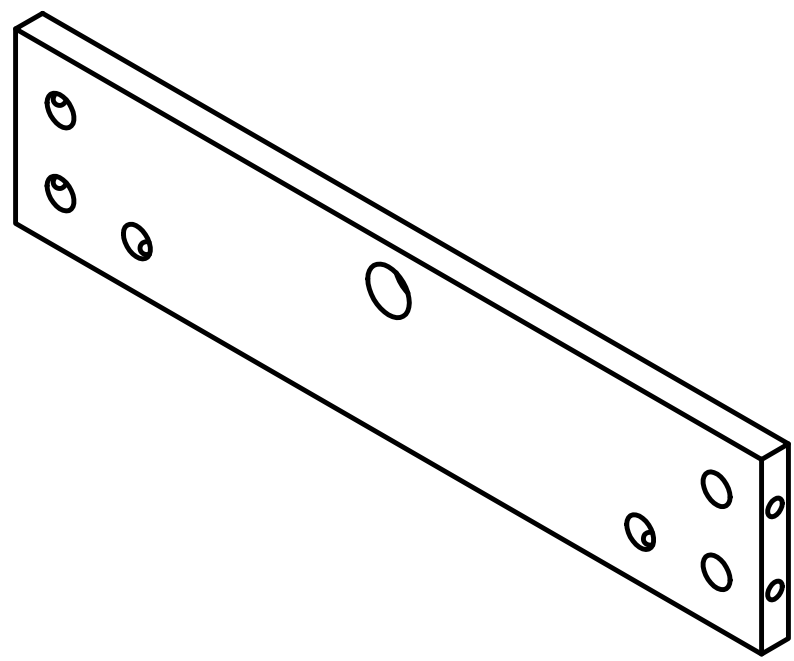
Mx1



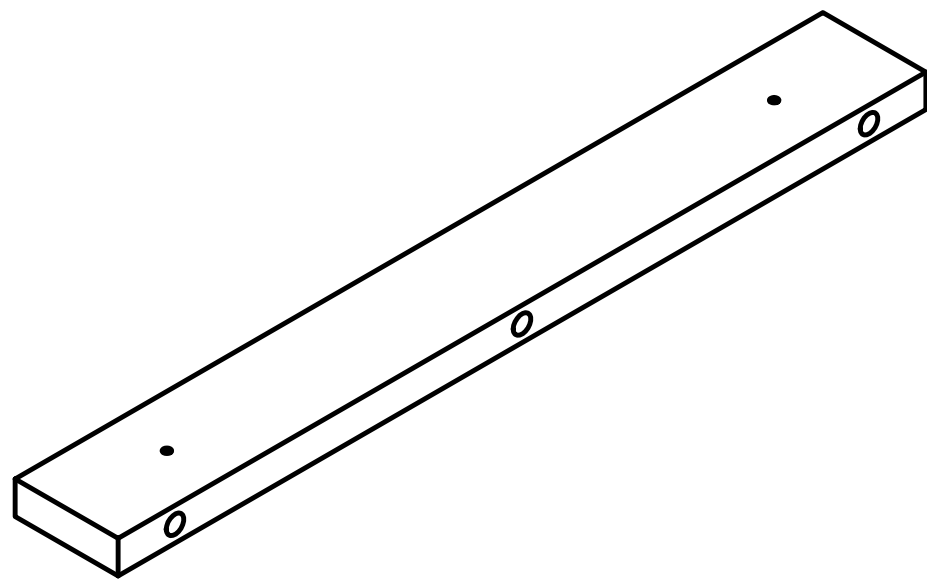
Nx1



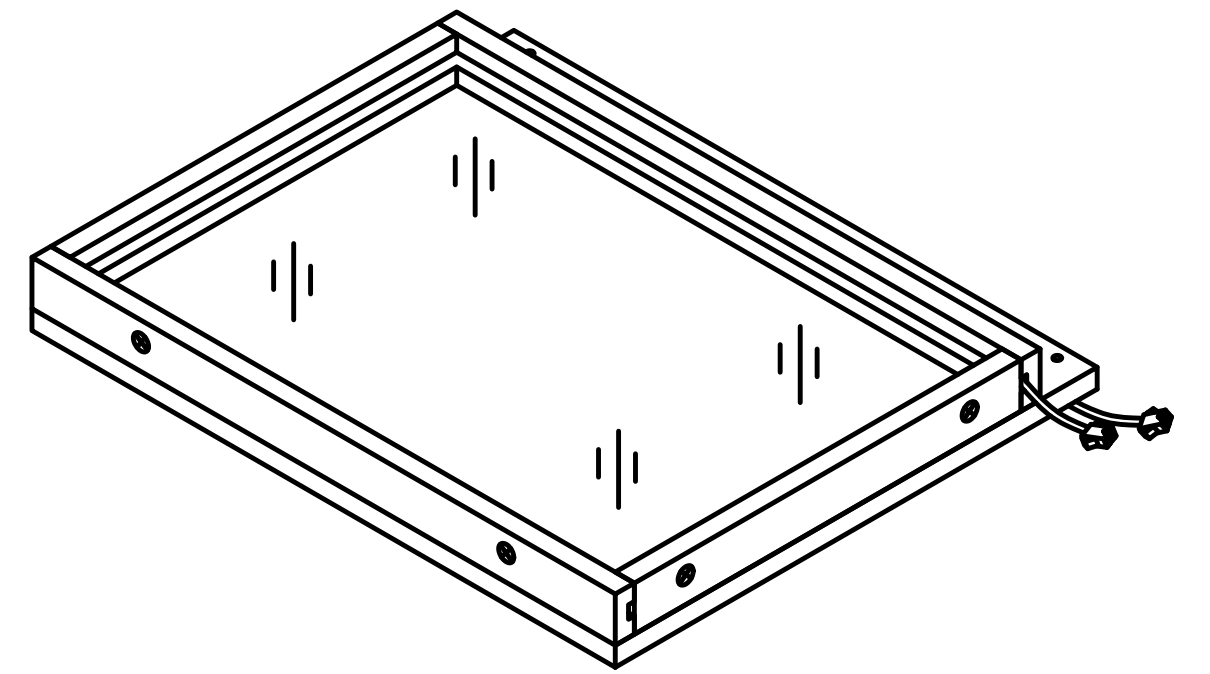
Ox1



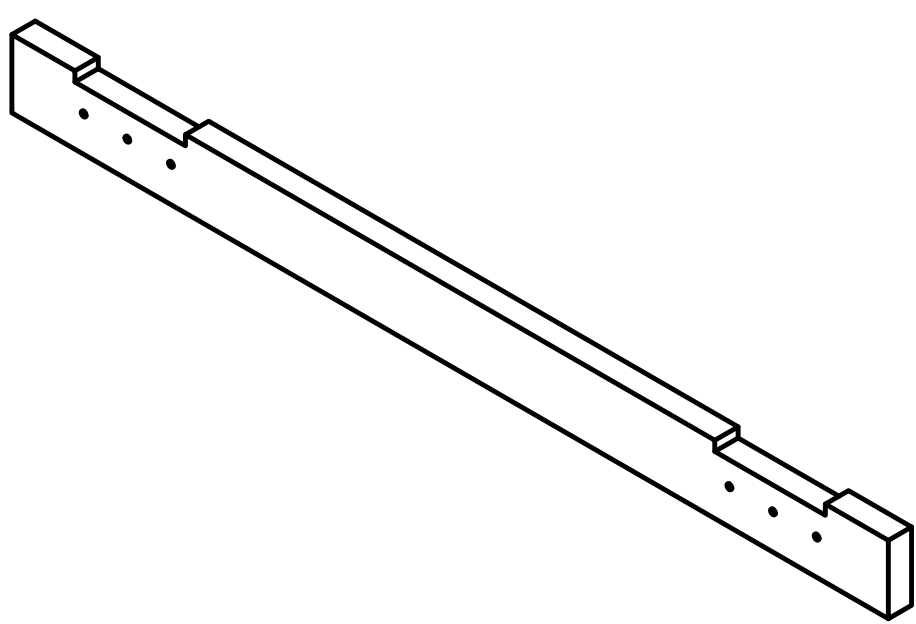
Px1



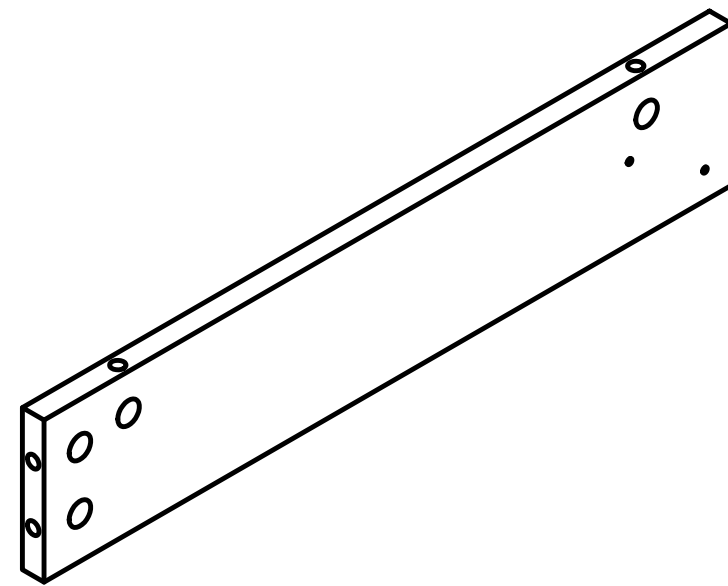
Qx2



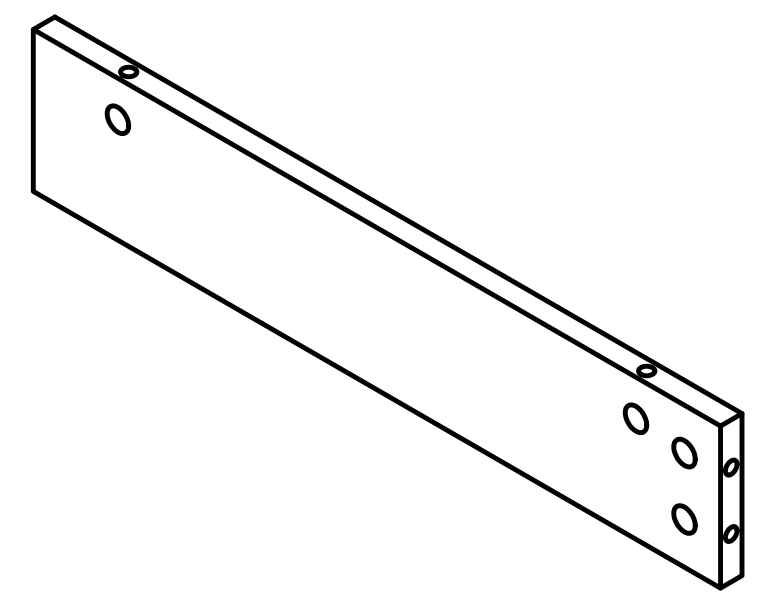
Rx1



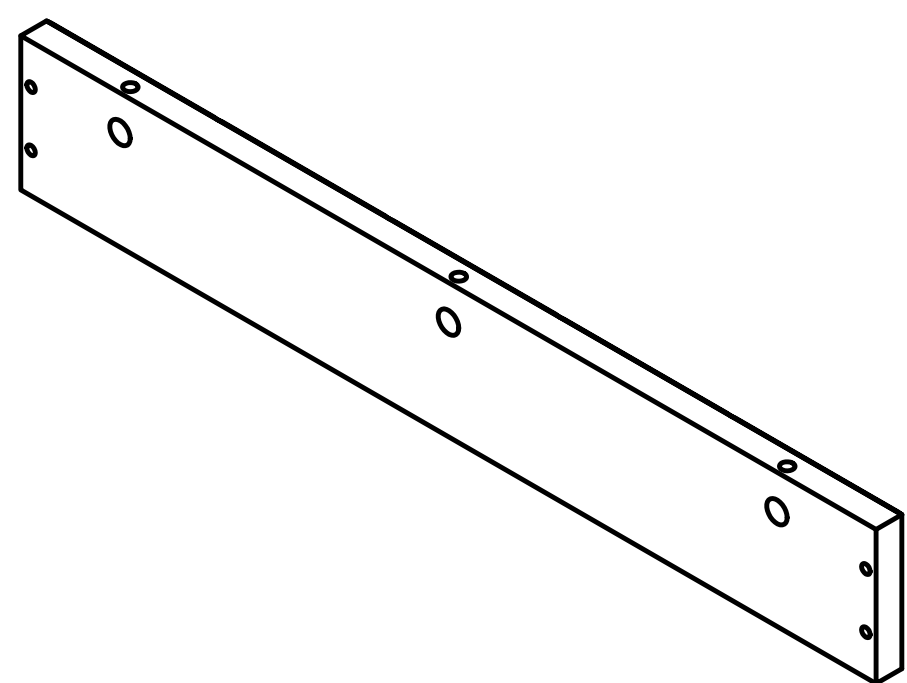
Sx1



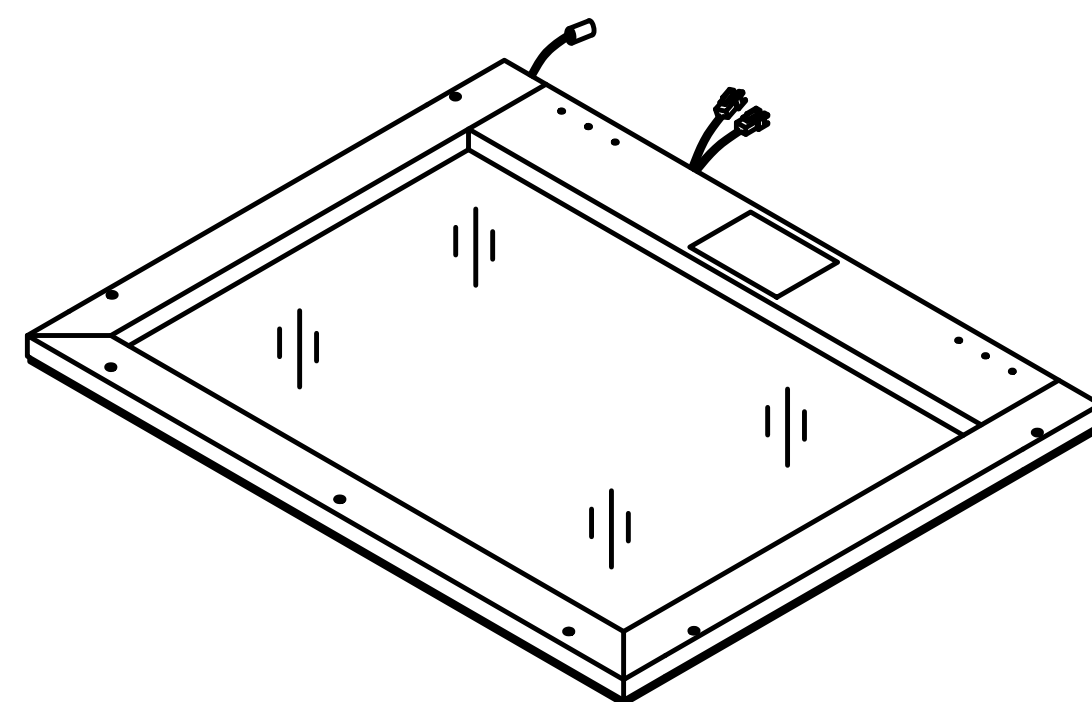
Tx1



Ux1



Vx1

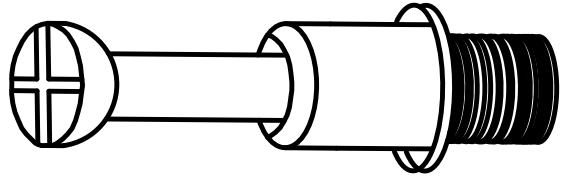
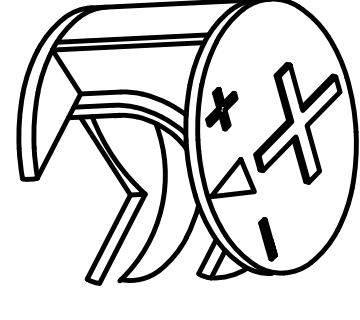

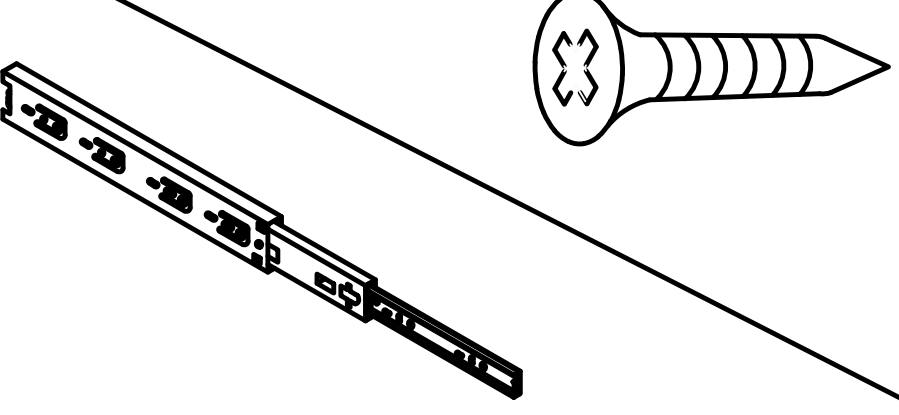

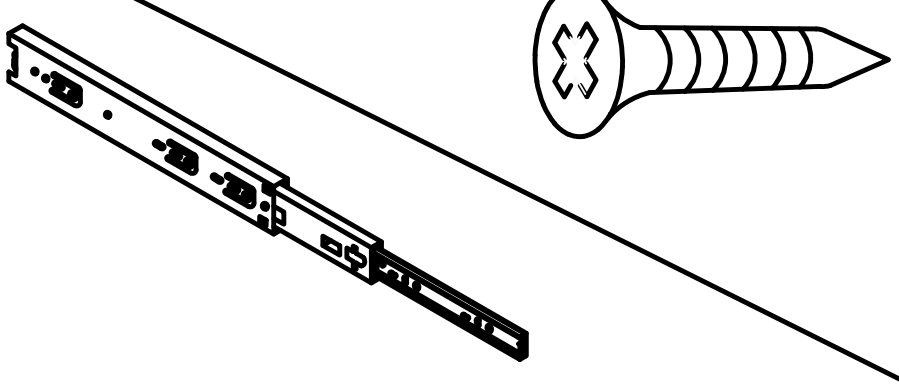
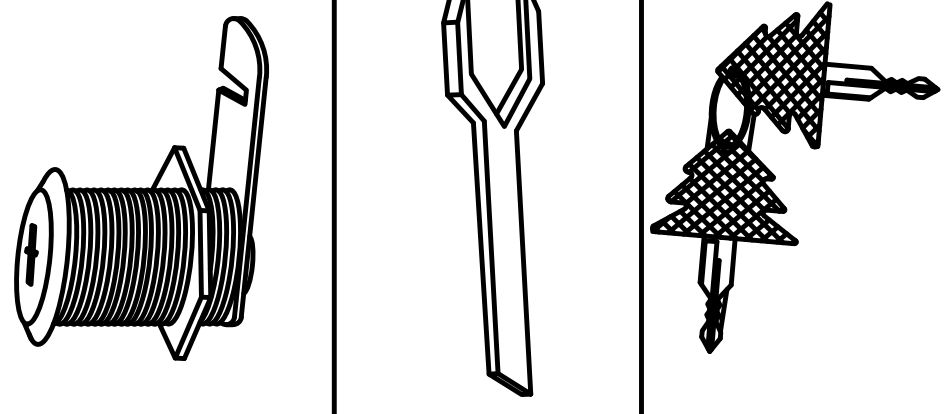
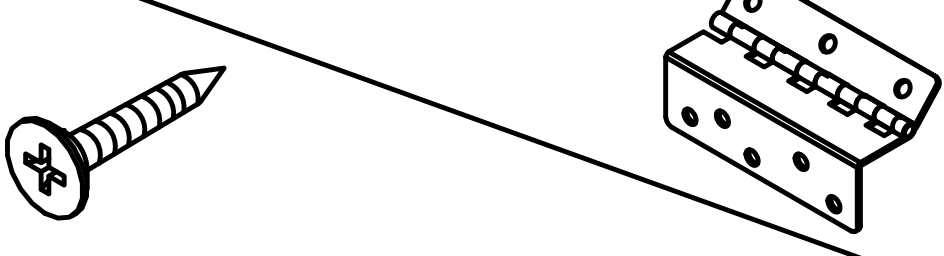
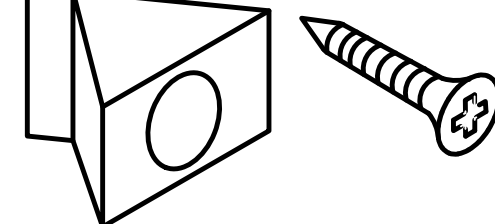
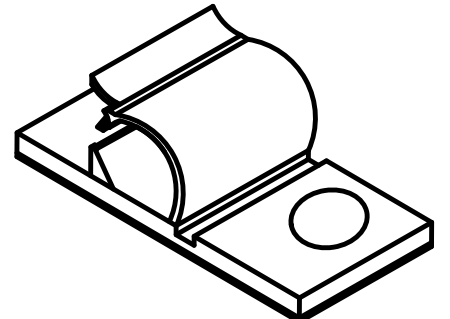
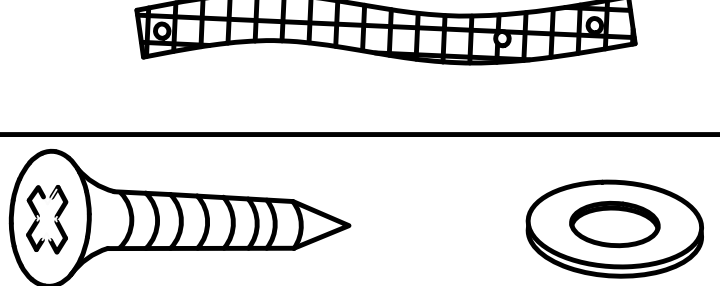
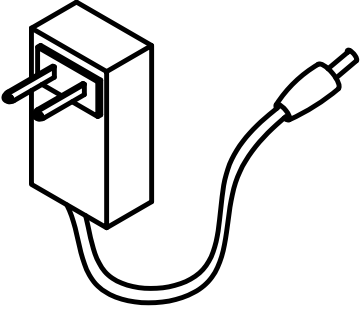


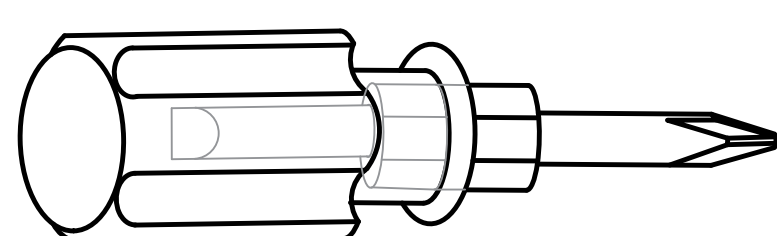
Wx1



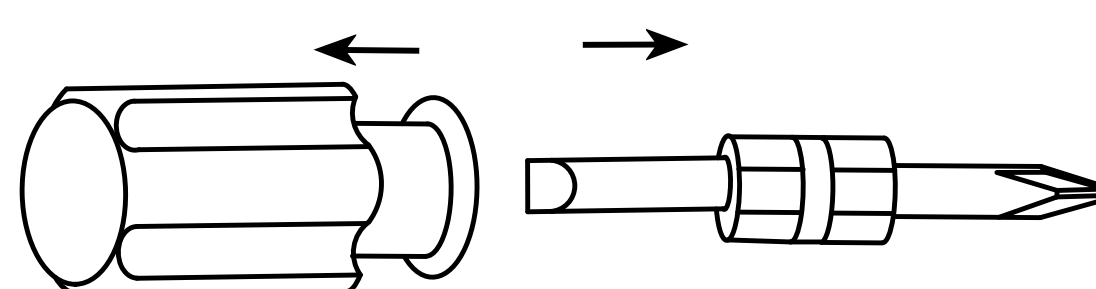
2

Accessories list

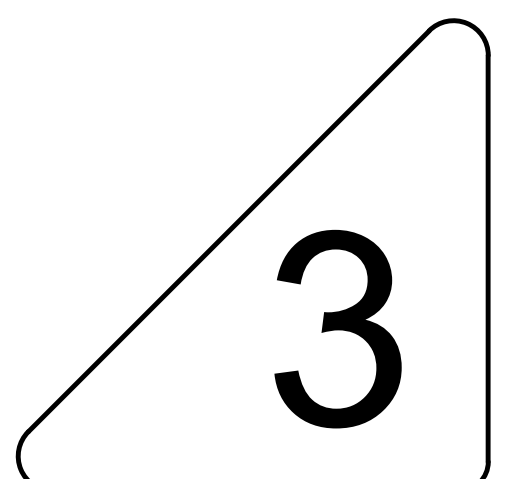
①		Two In One Screw (6x28mm)	76pcs +5pcs		
②		Two In One Nut (10x12mm)	76pcs +5pcs		
③		Wood Chipping (6x30mm)	8pcs +2pcs		
④		Guide rails & screws(29cm) (3x12mm)	20pcs +4pcs 4pcs		
⑤		Non-slip pads	4pcs +2pcs		
⑥		Guide rails & screws(30cm) (3x12mm)	10pcs +2pcs 2pcs		
⑦		Locks & tools & key	1pcs	1pcs	1pcs
⑧		Hinge & Screw (3.5x12mm)	16pcs +2pcs 2pcs		
⑨		Fixing Clip & Screw (3x16mm)	4pcs +1pcs		
⑩		Wire Clamp	3pcs		
⑪		anti-tipping tape Screw & gasket (3.5x12mm)	1pcs 3pcs 1pcs		
/		AC/DC Adapter (12V=3.0A)	1pcs		



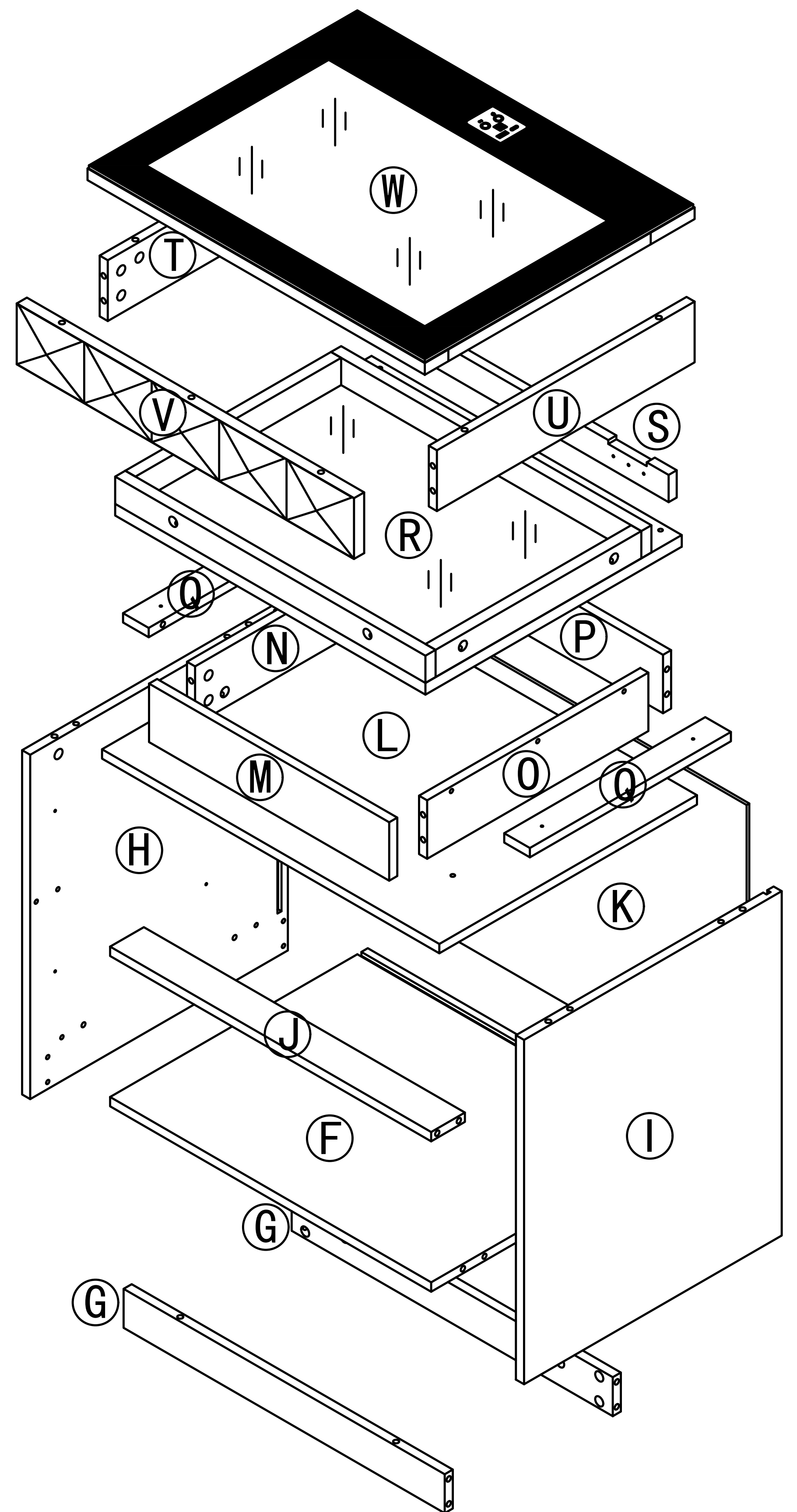
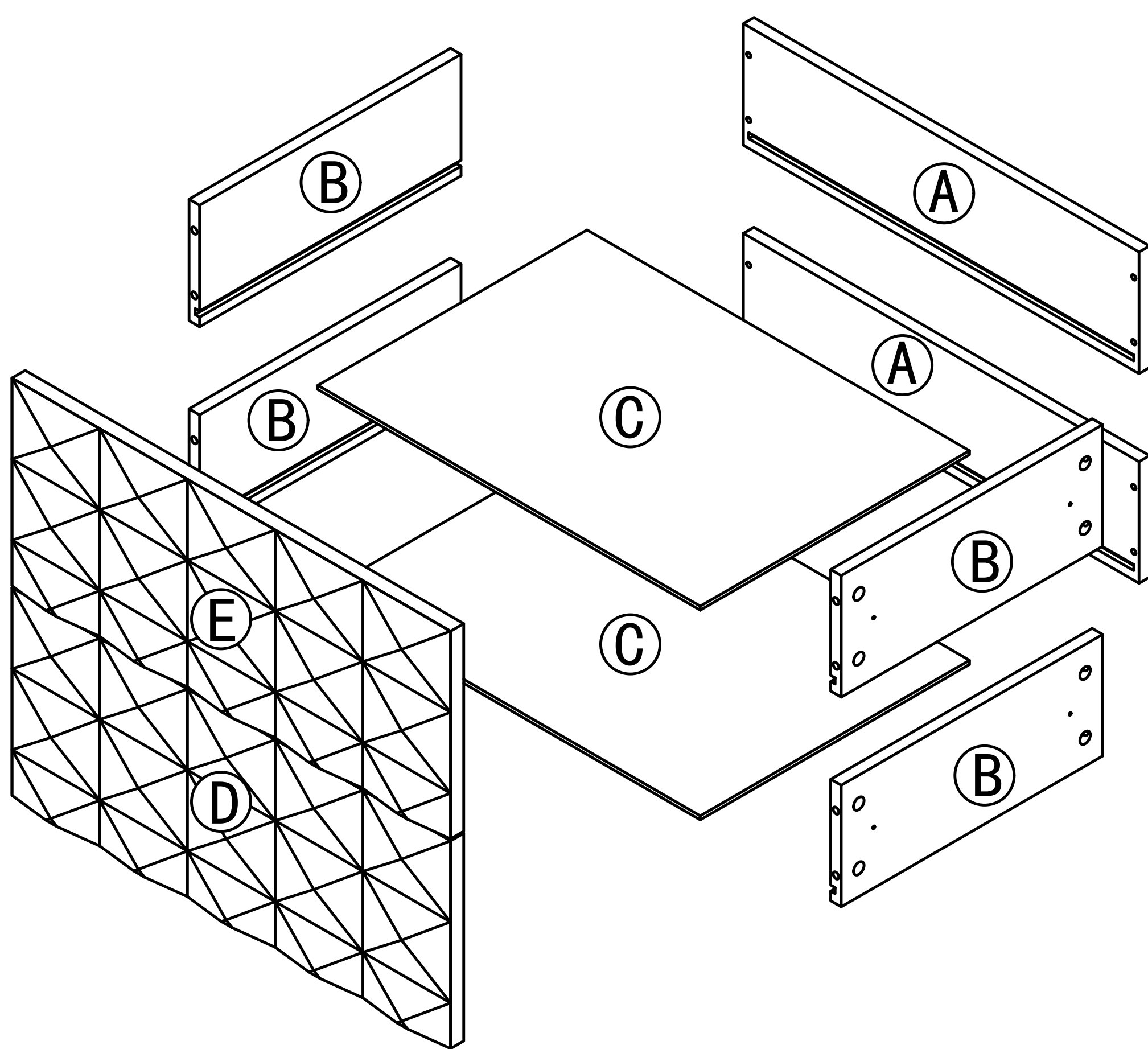
1pcs



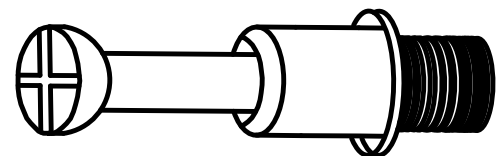
Double-head screwdriver, use as required



Product structure decomposition

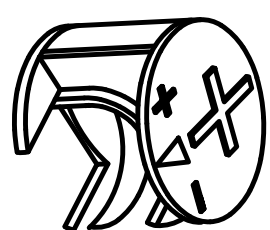


1



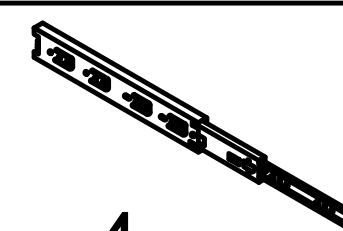
16pcs

2

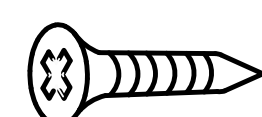


16pcs

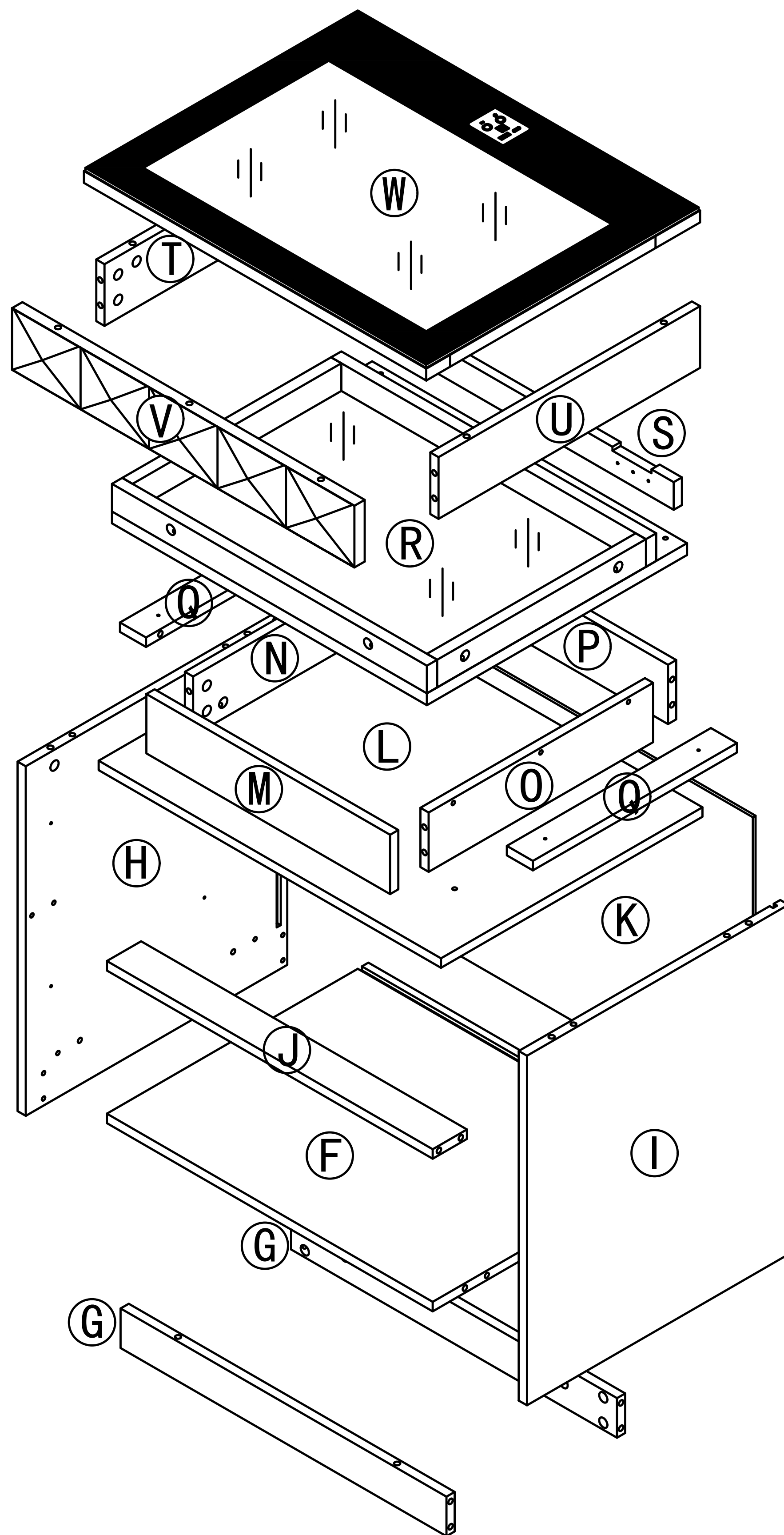
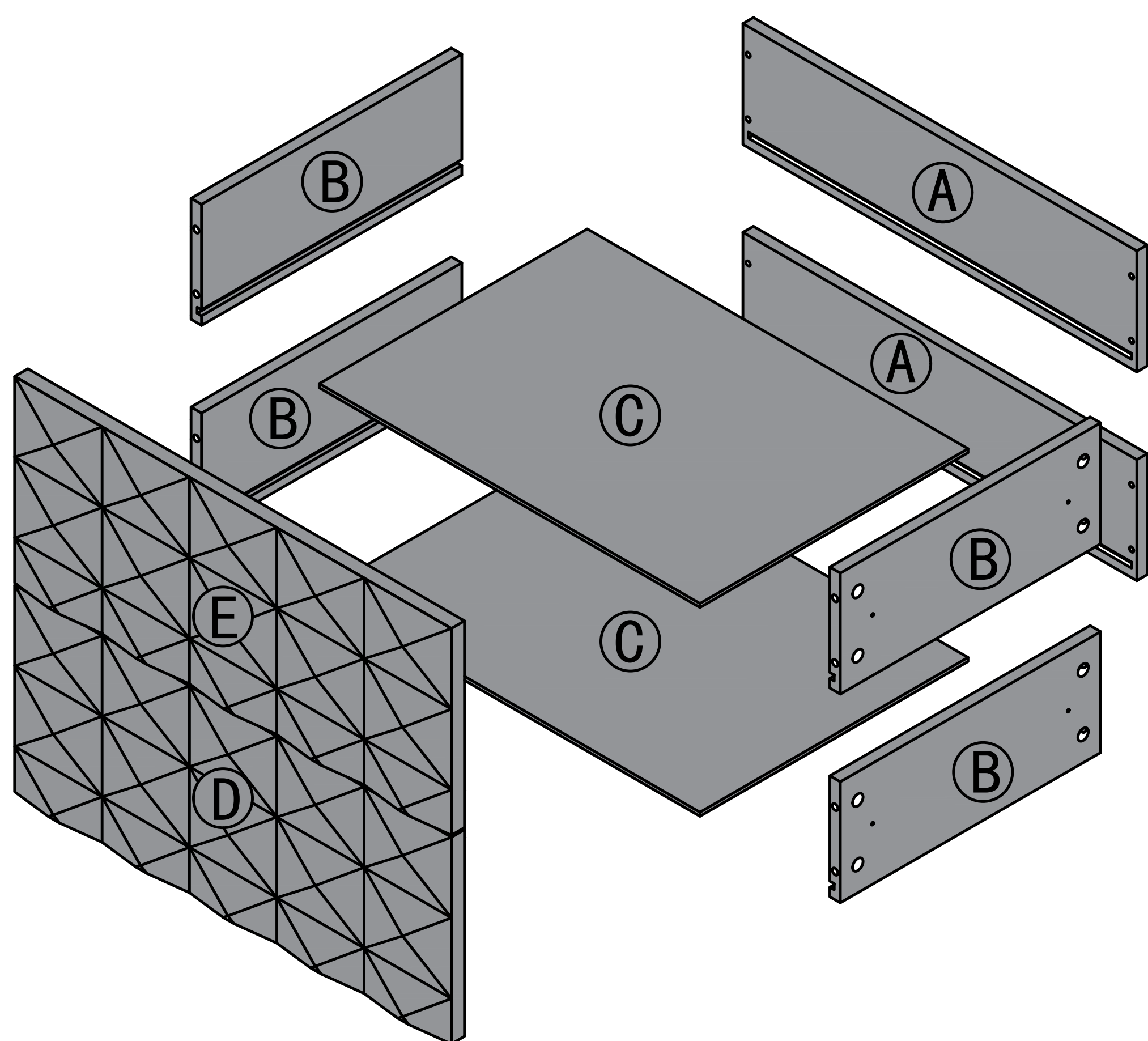
4



4pcs

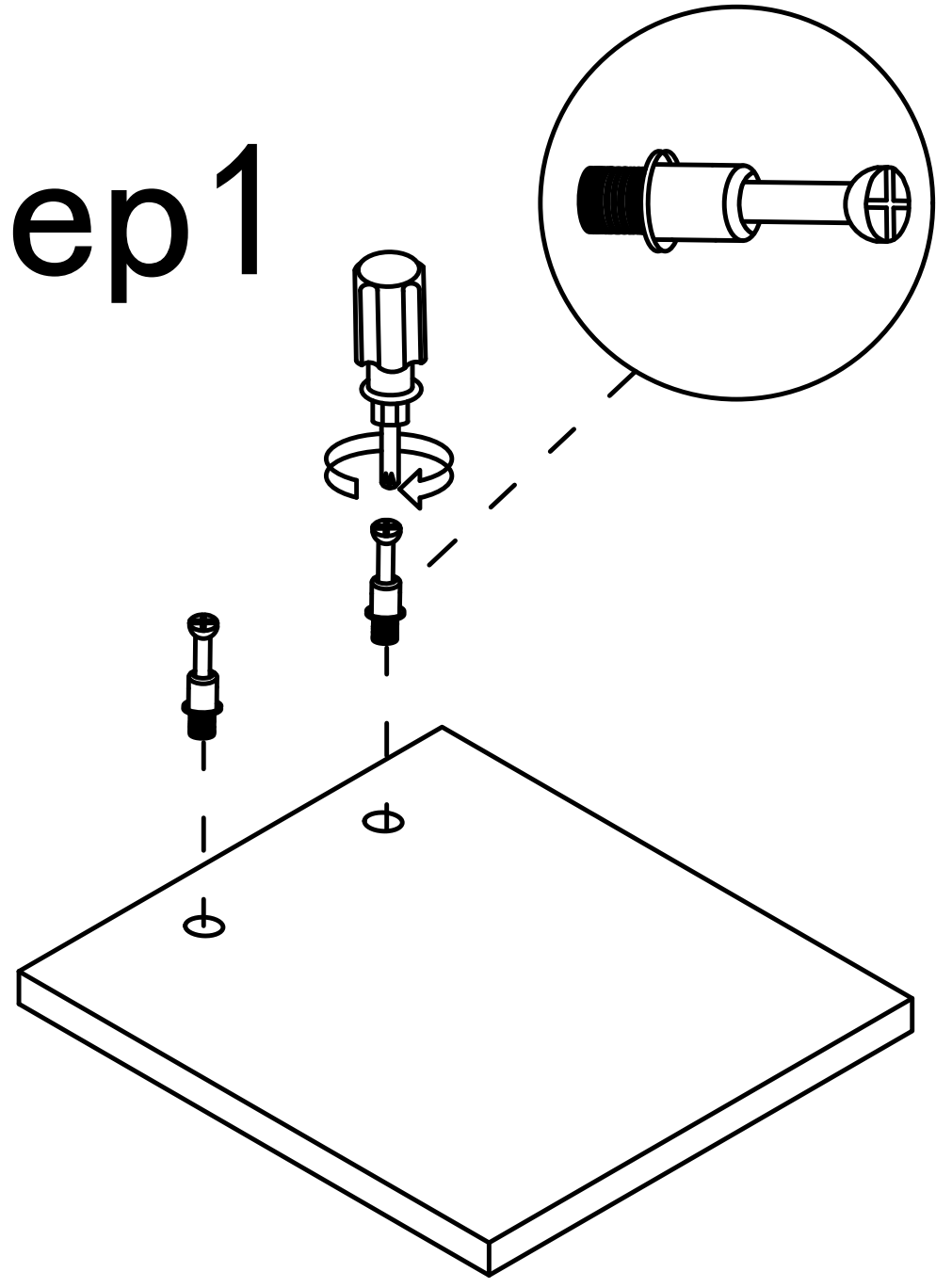


8pcs

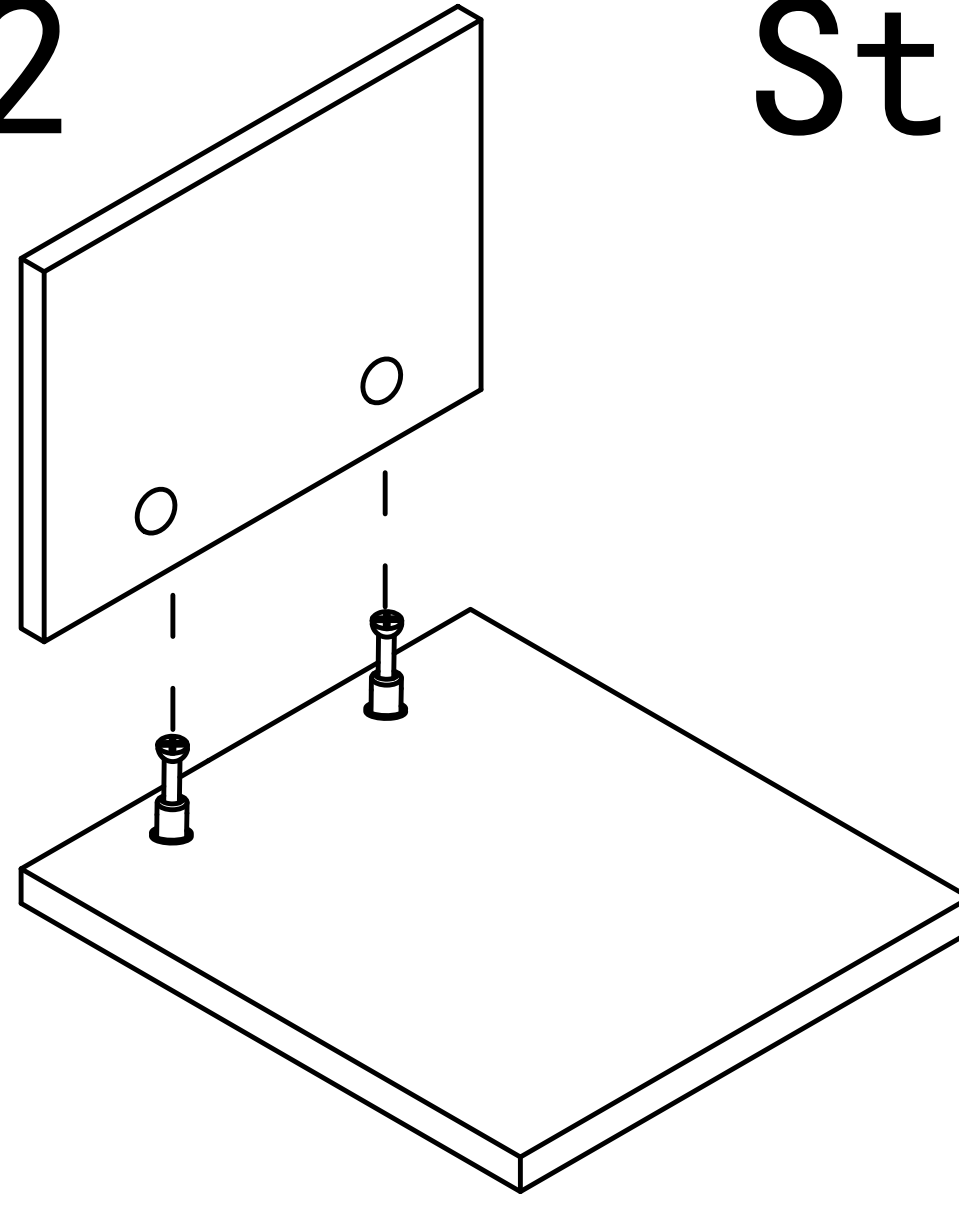


Use parts ① and ②

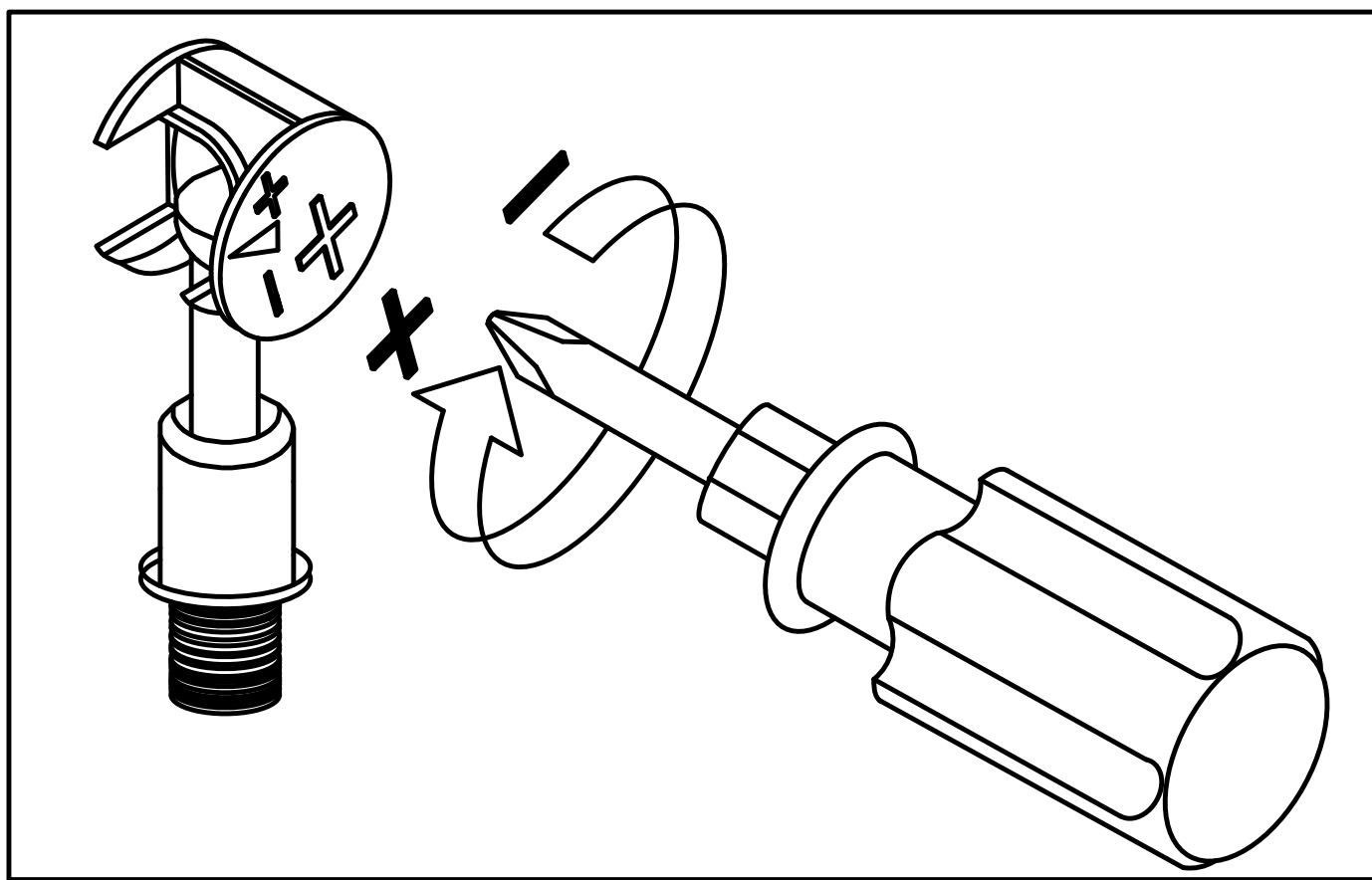
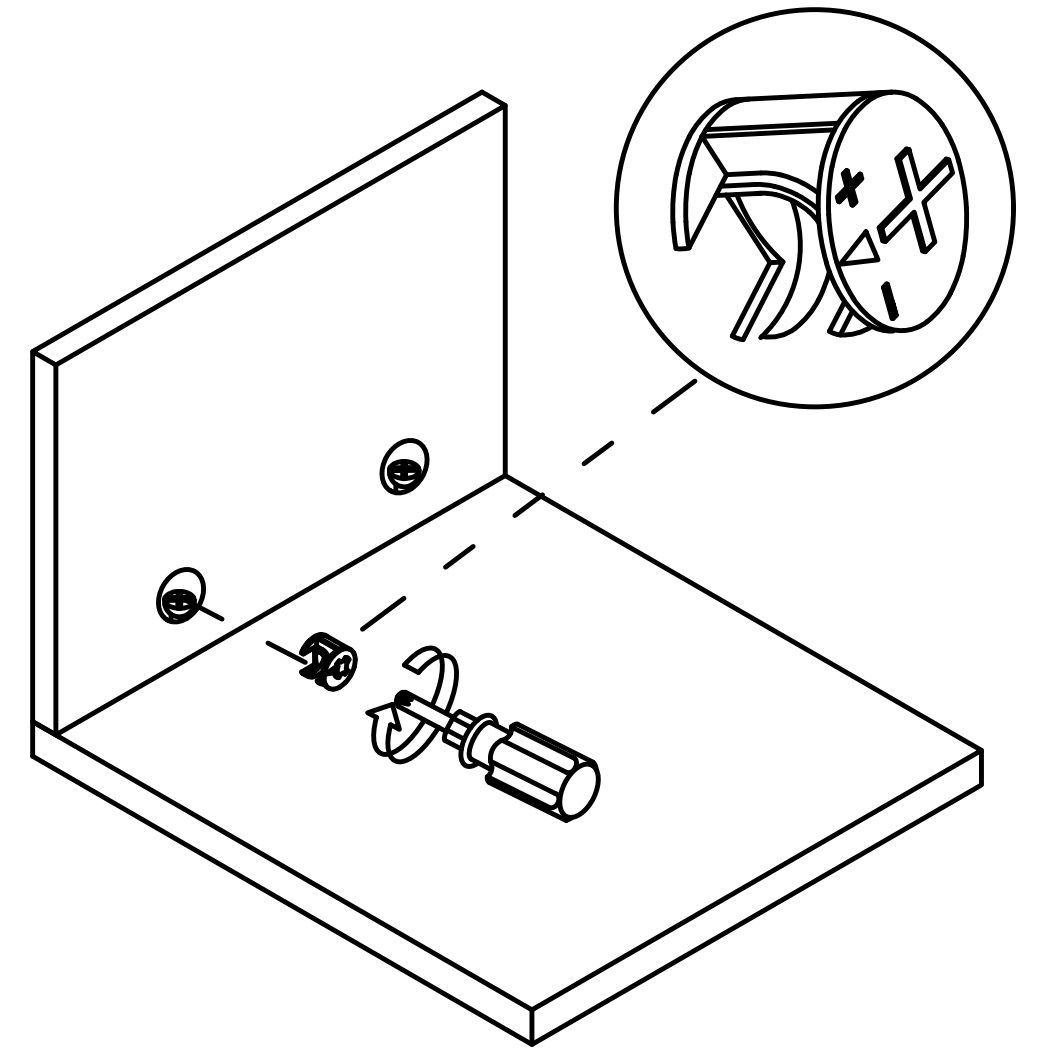
Step 1



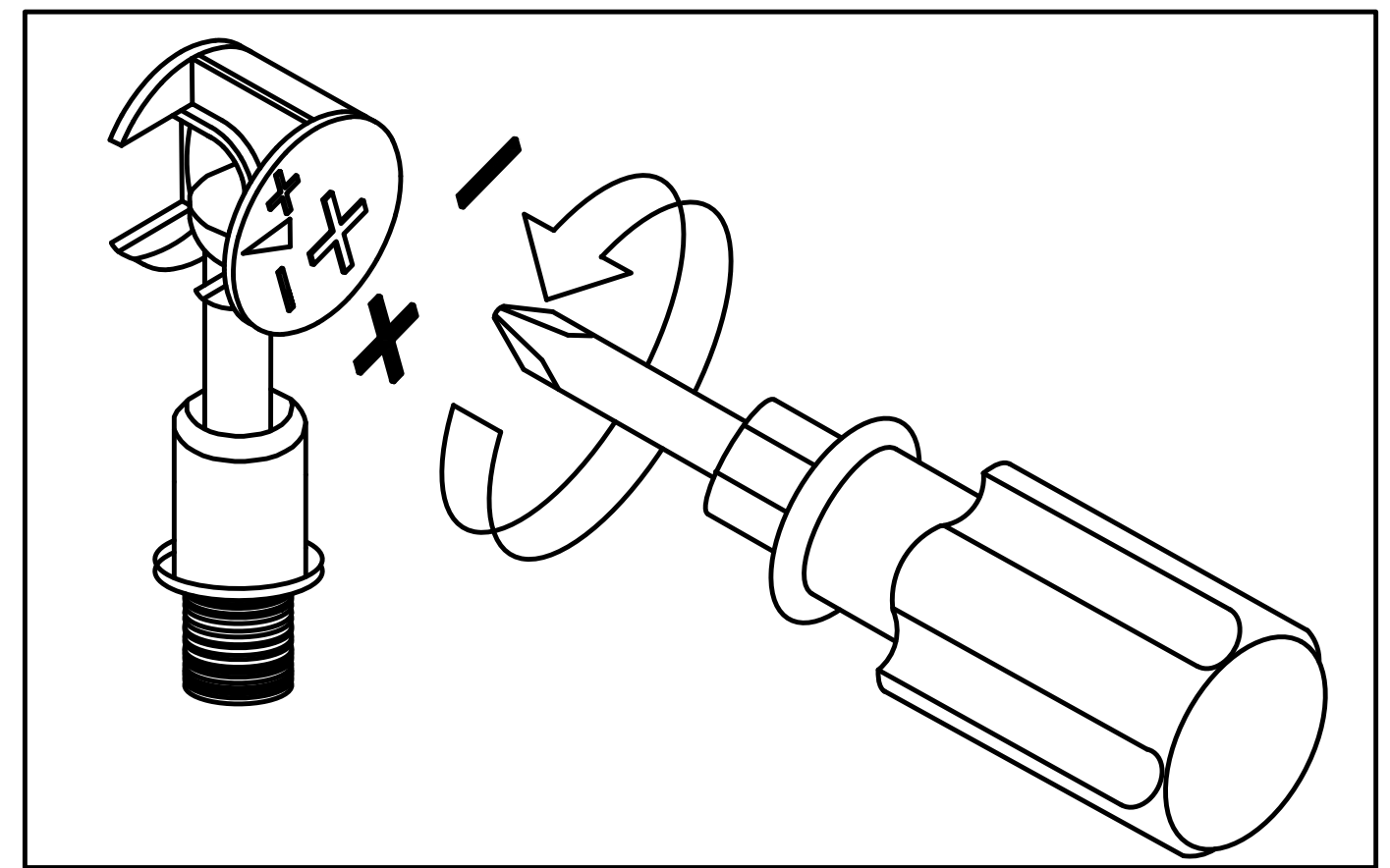
Step 2



Step 3

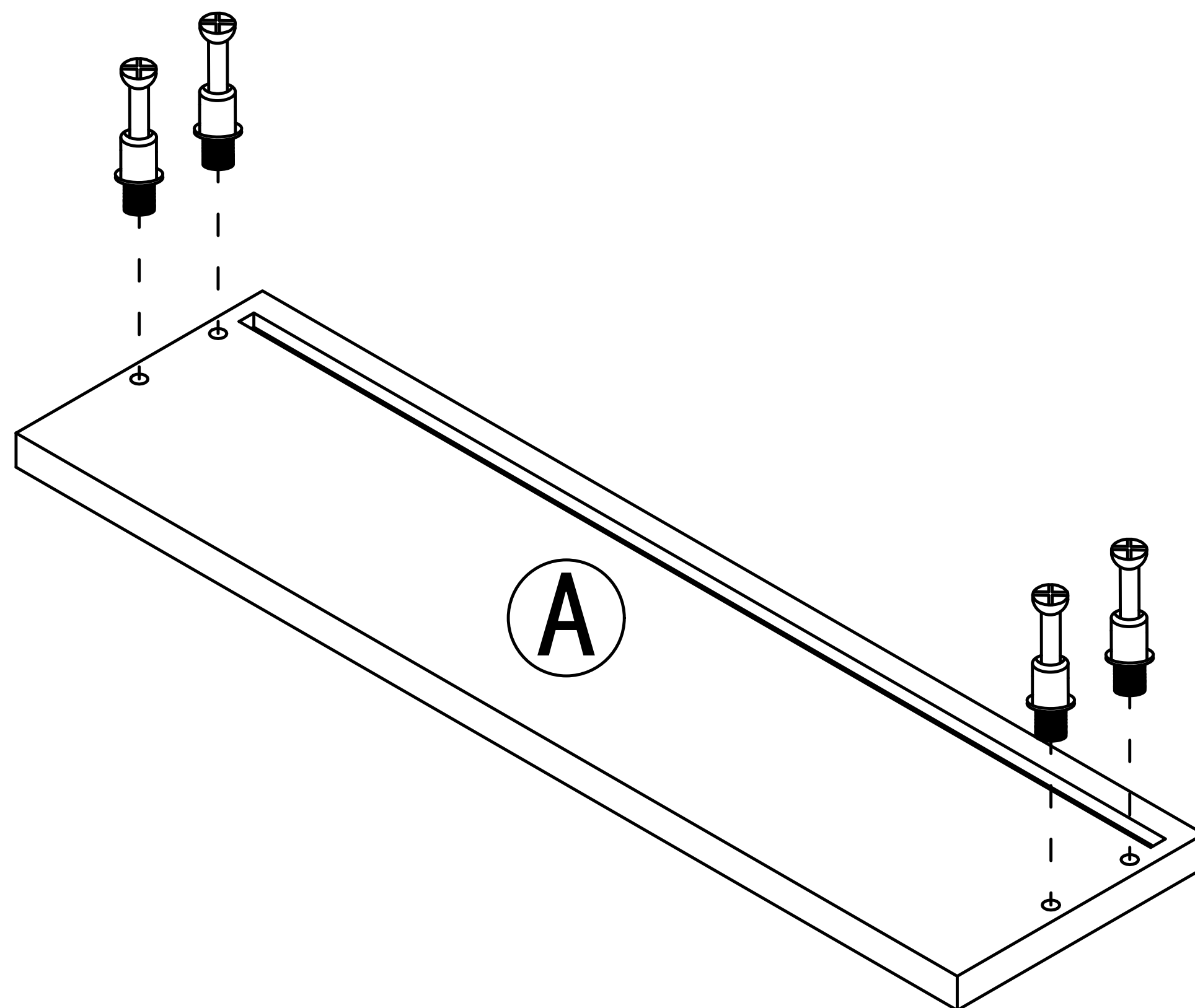
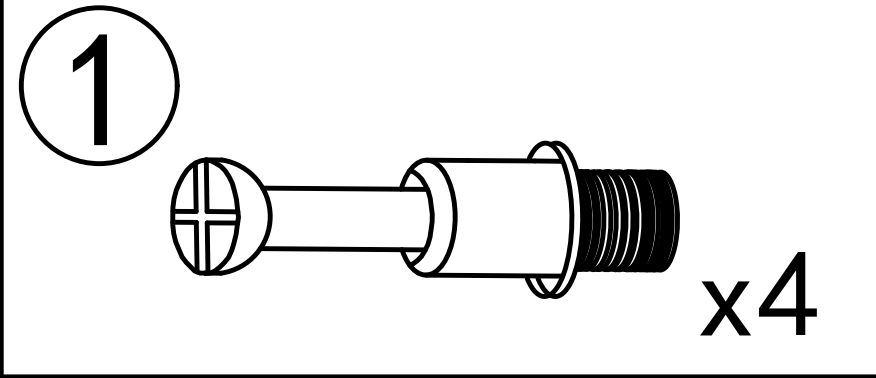


Use a screwdriver to lock in the direction of the "+" sign



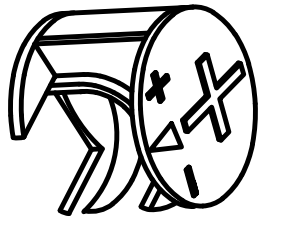
Disassemble along the direction of "-" sign

Step 1

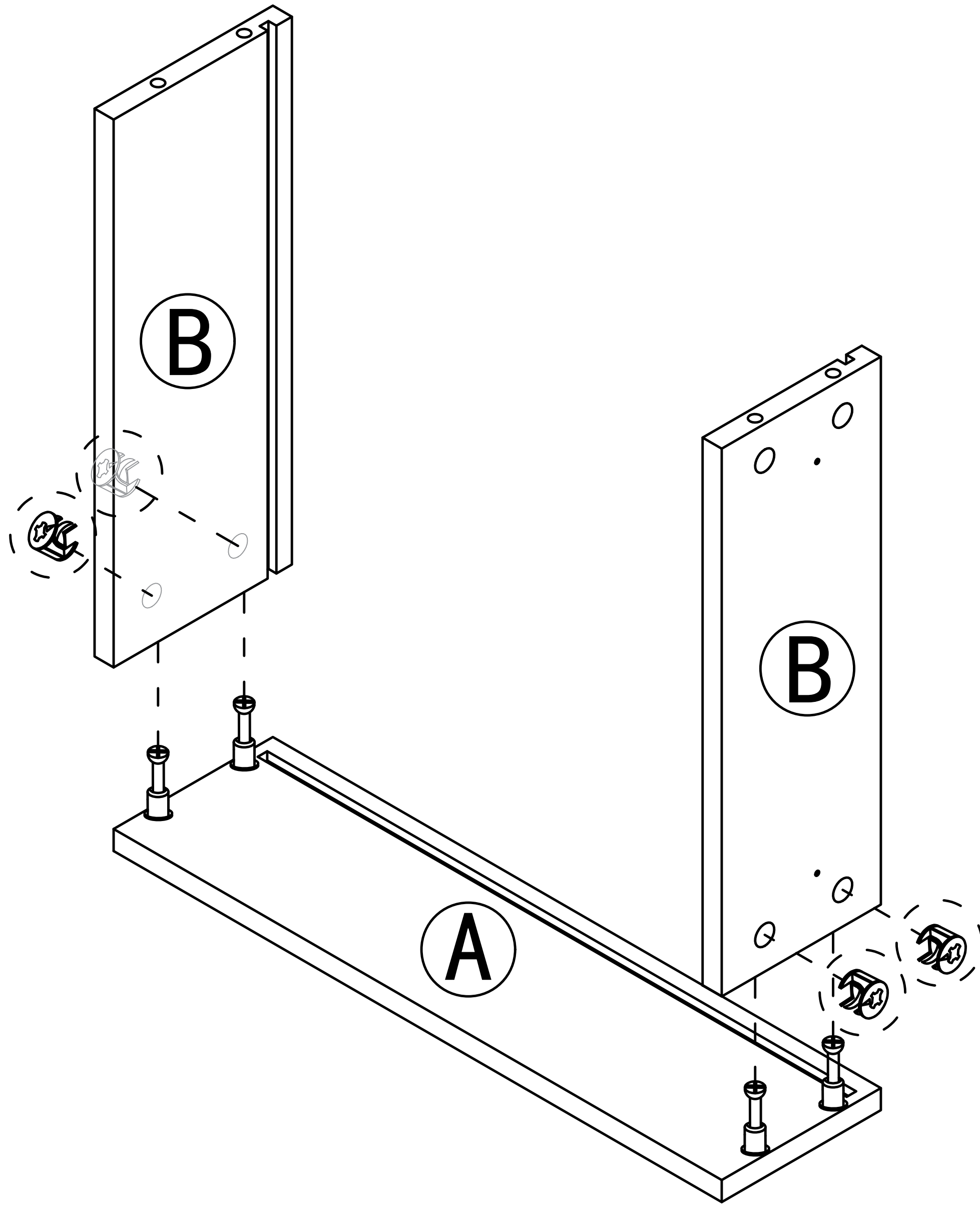


Step 2

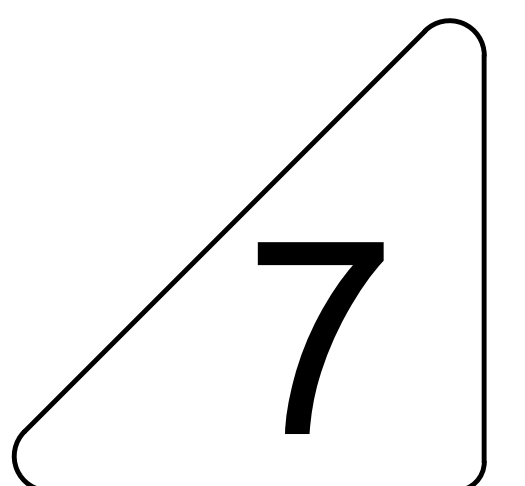
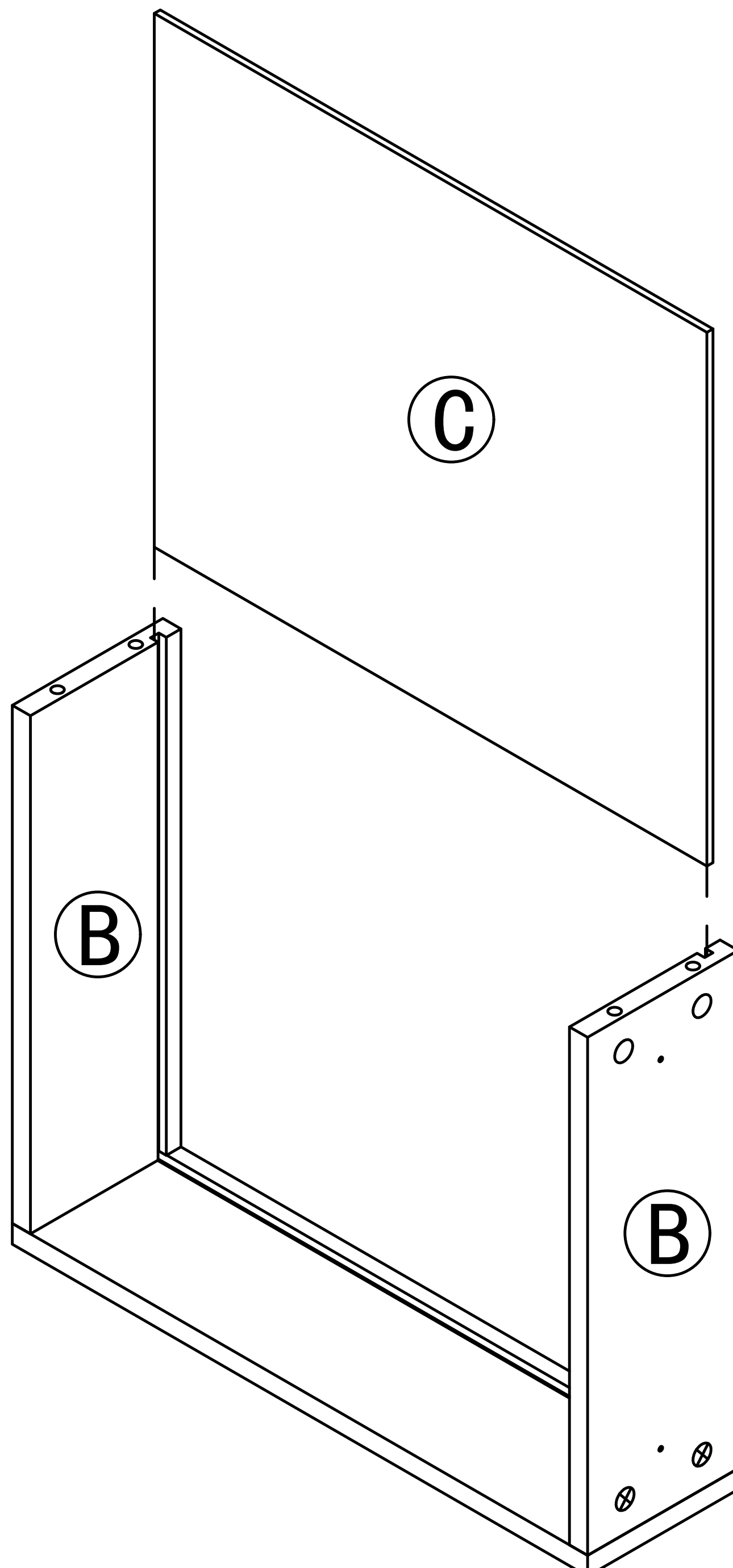
2



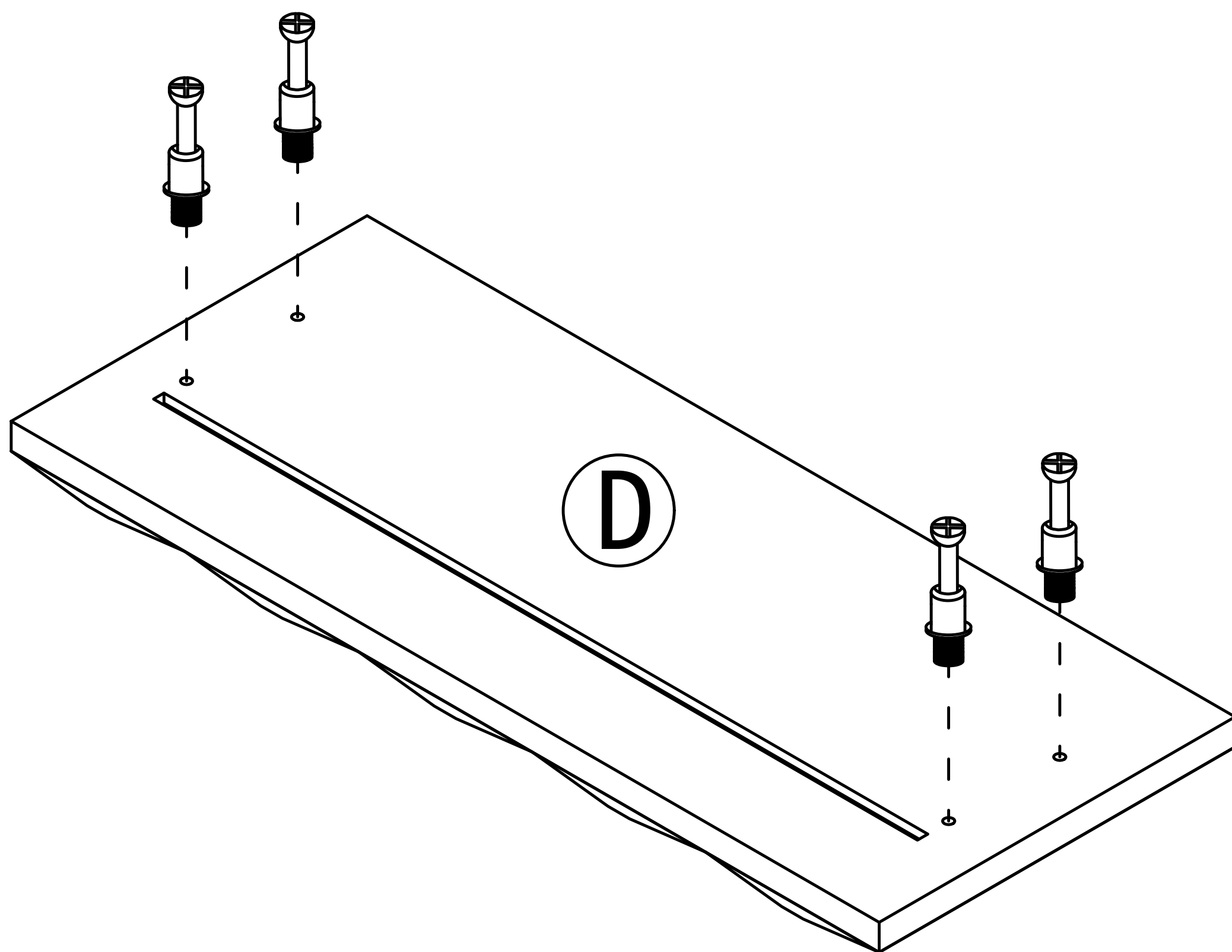
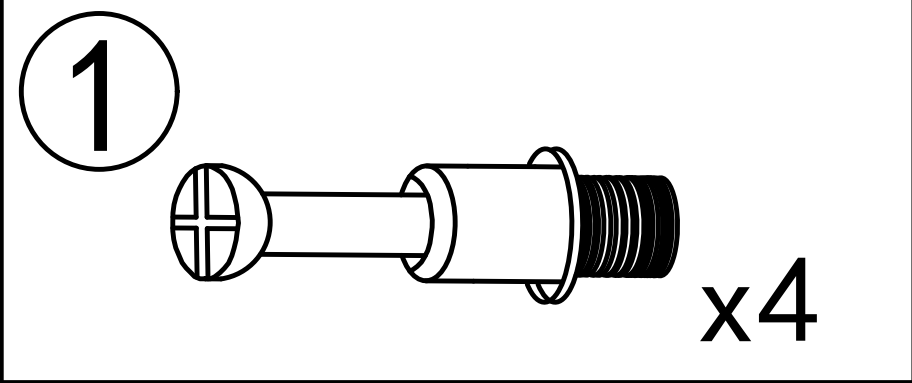
x4



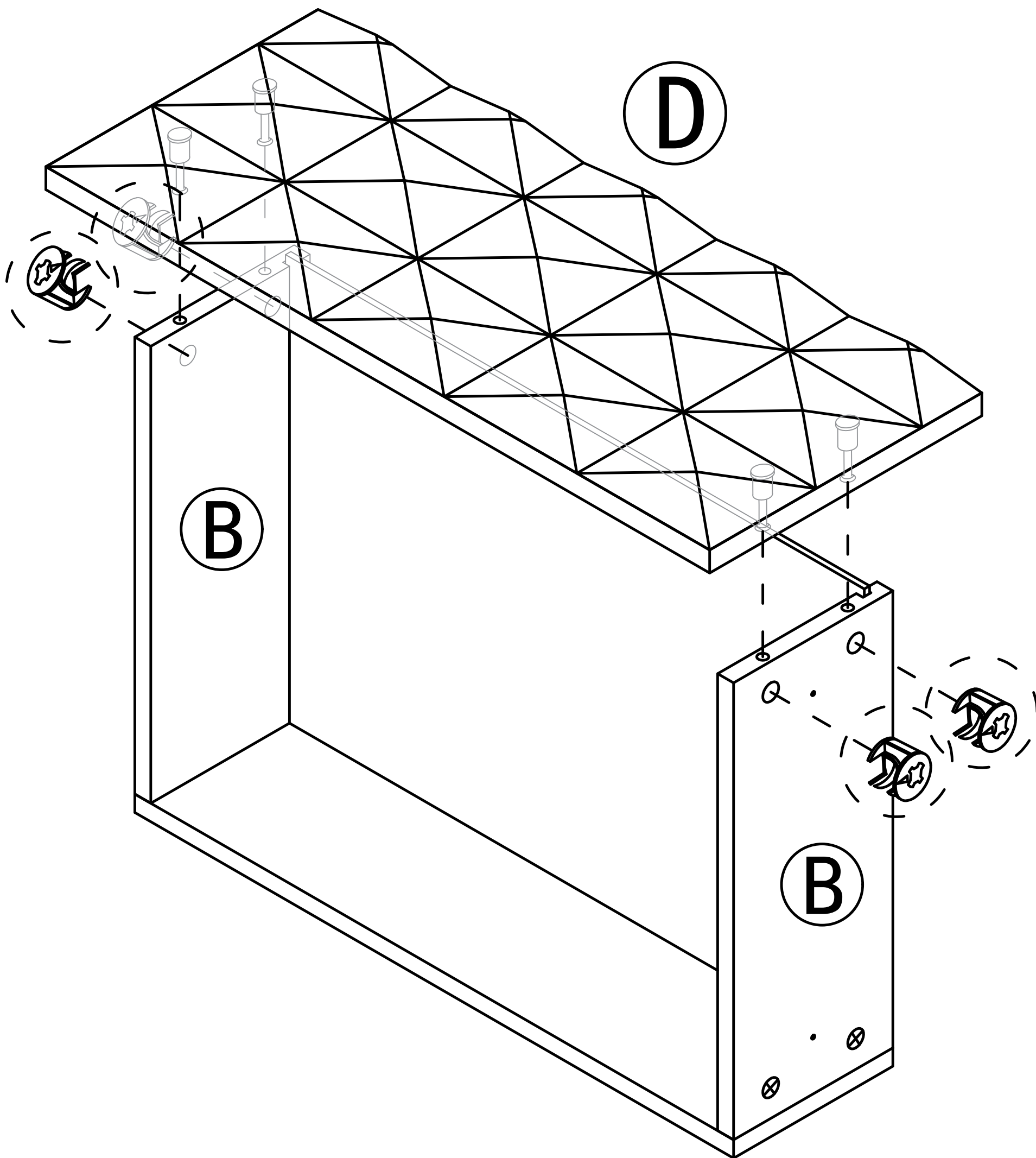
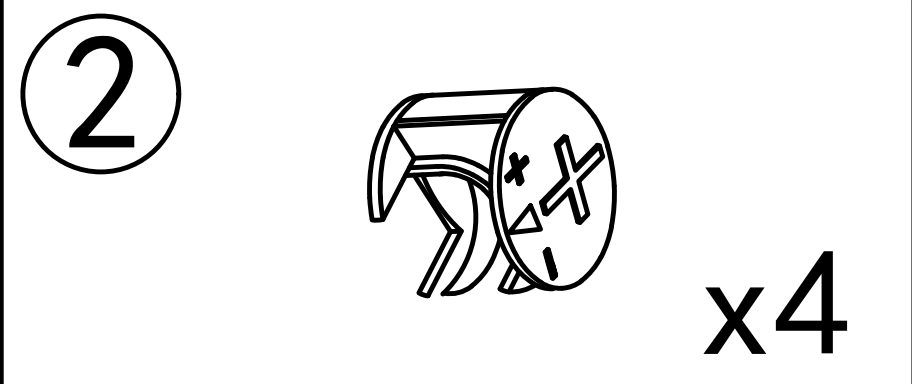
Step 3



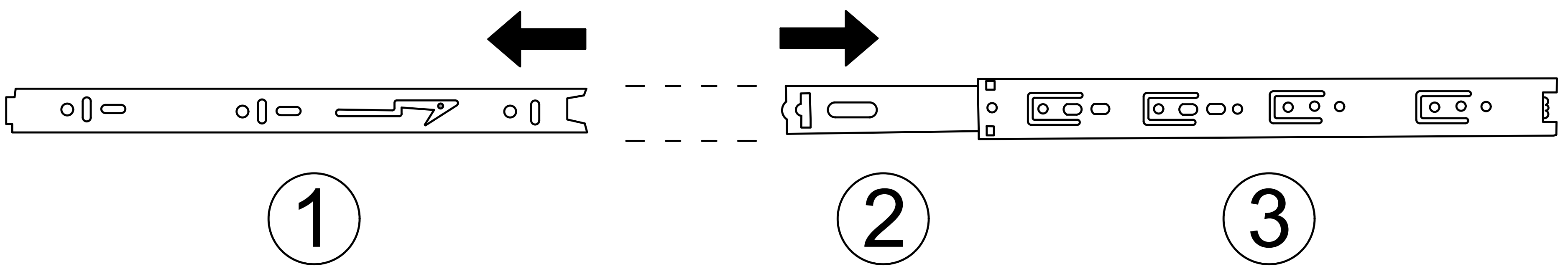
Step 4



Step 5

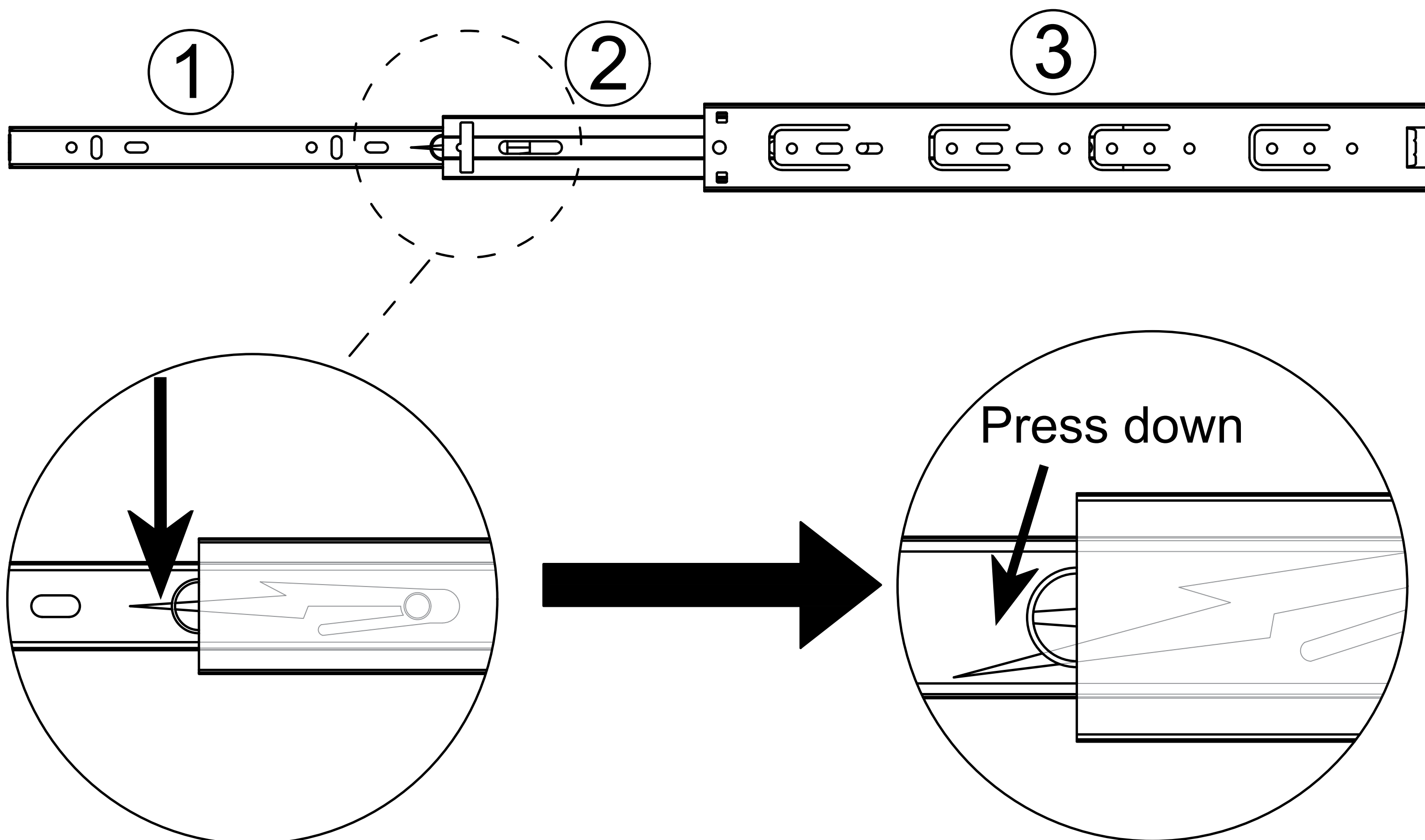


Drawer rail breakdown diagram



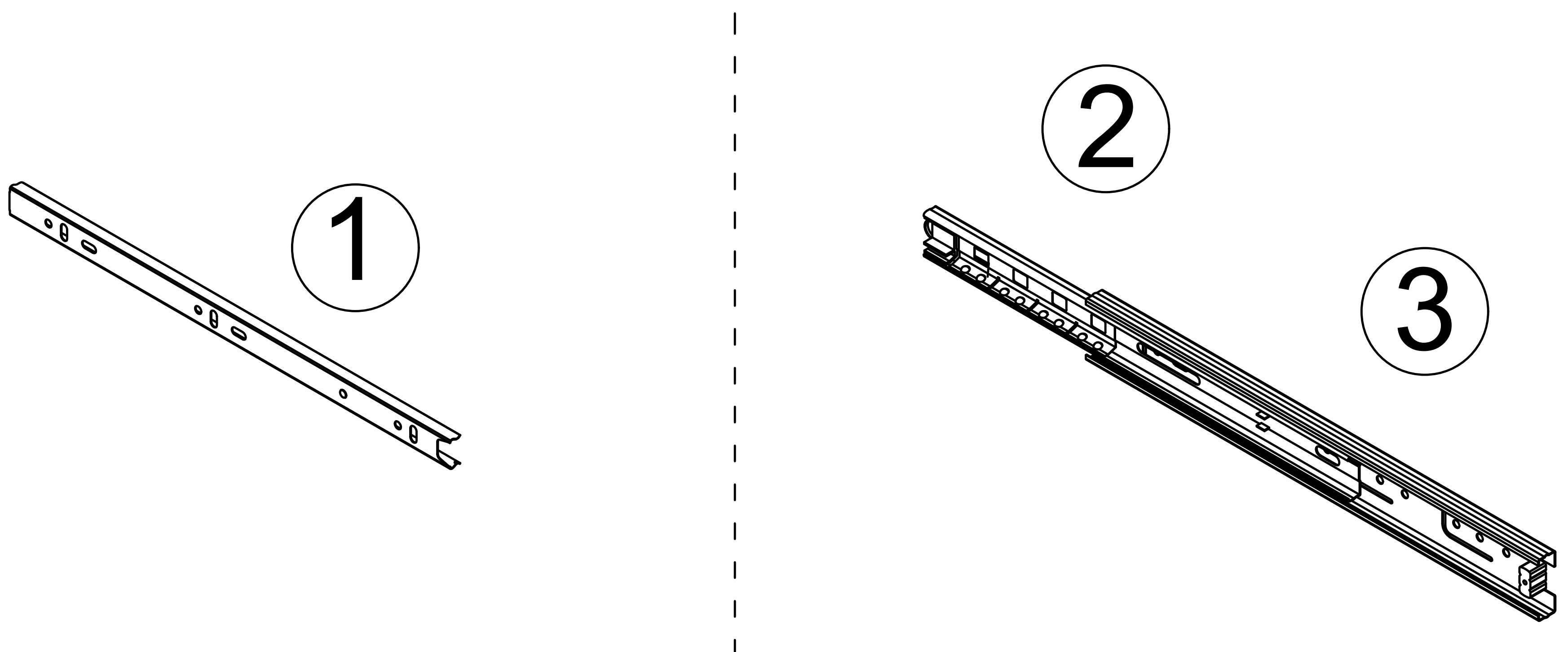
① Dismantle the schematic diagram

Step 1 : Pull the rails apart

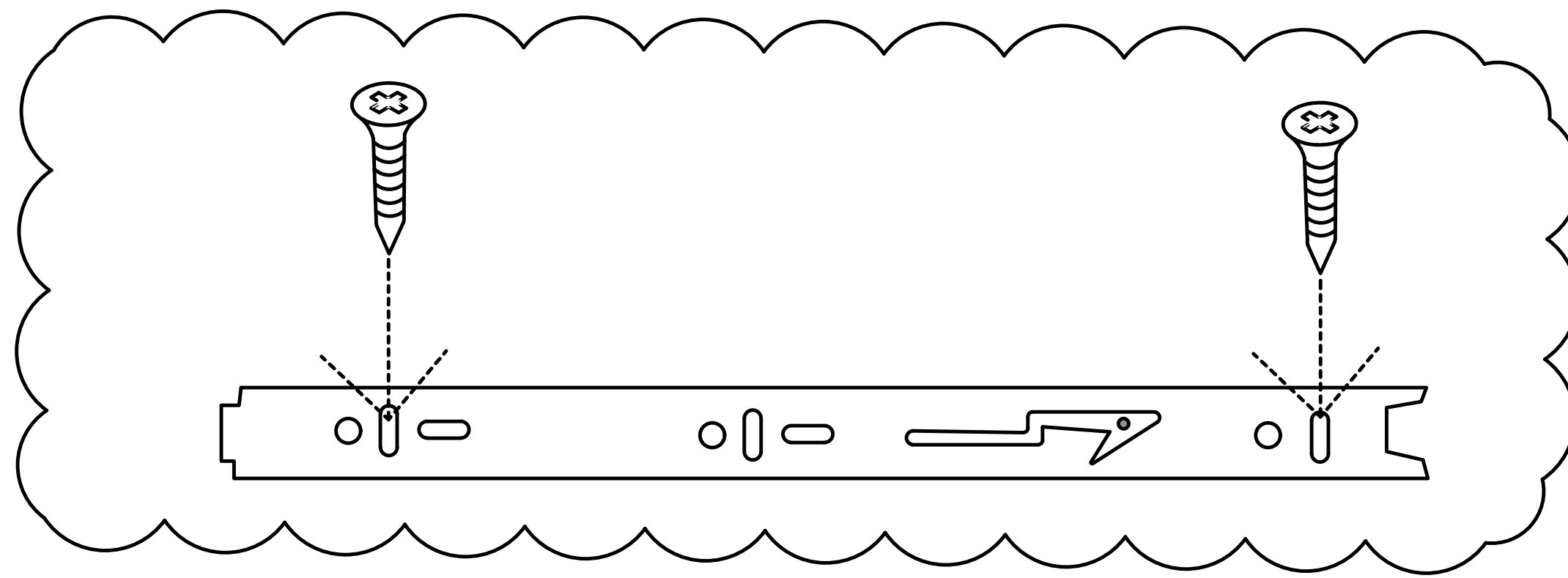




Step 2 : Press the nylon button and pull out ①.

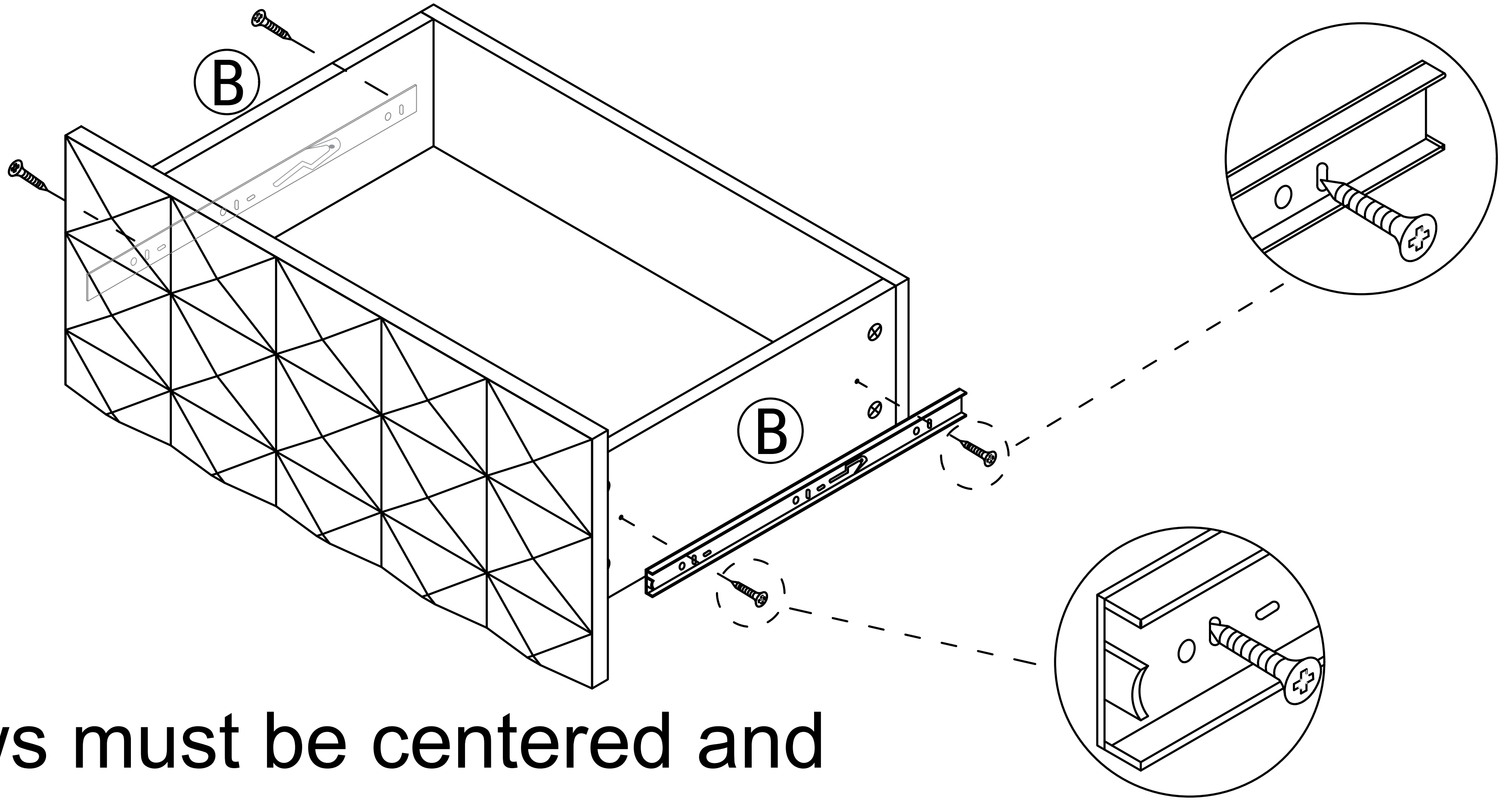
Drawer rail decomposition completed schematic diagram



Step 6

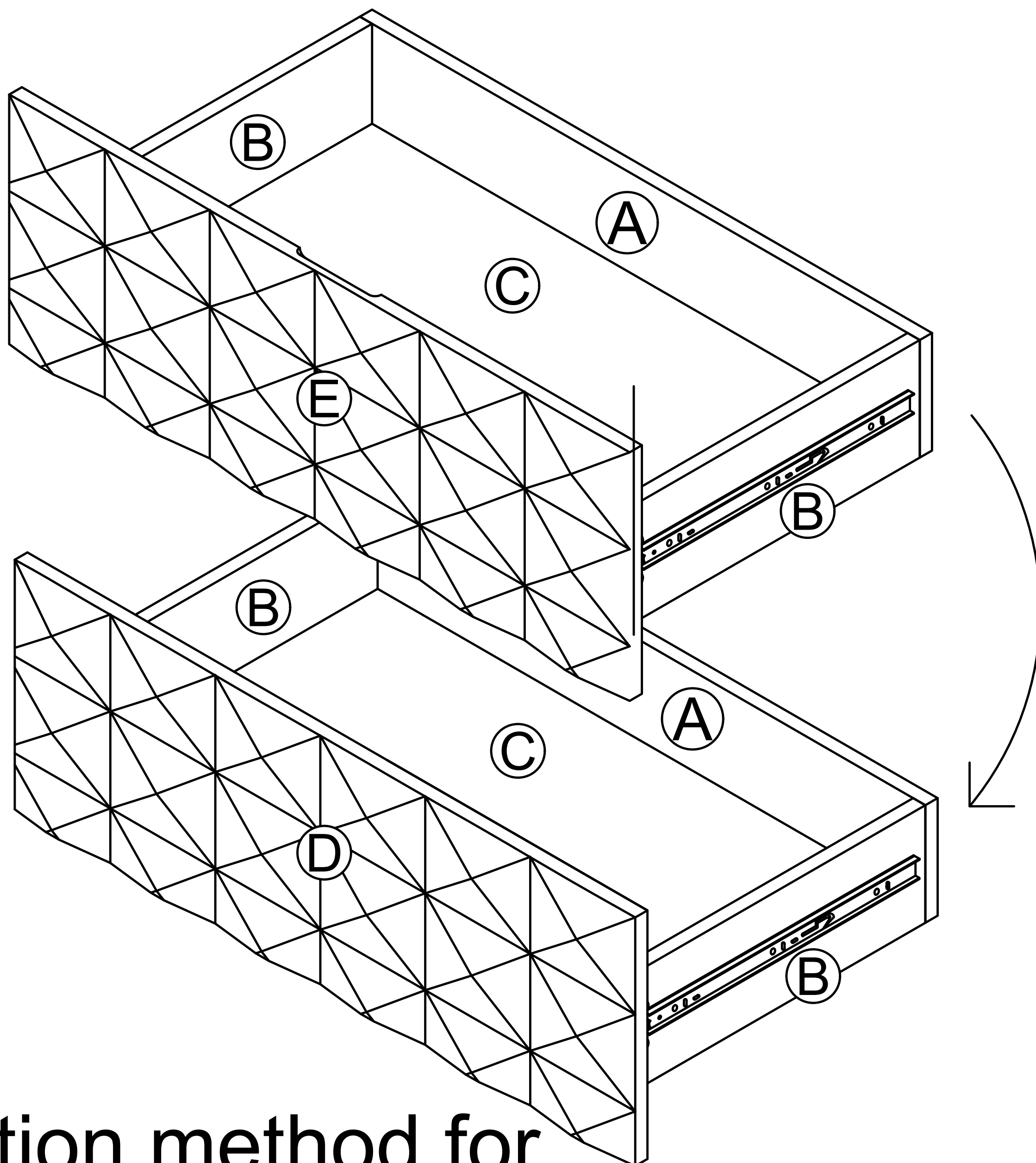


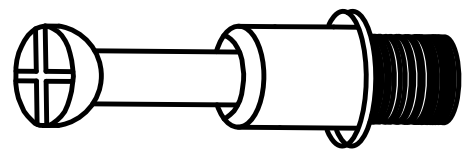
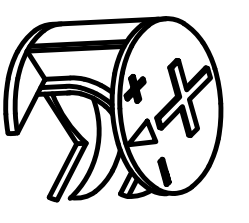


- ④  x2
-  x4



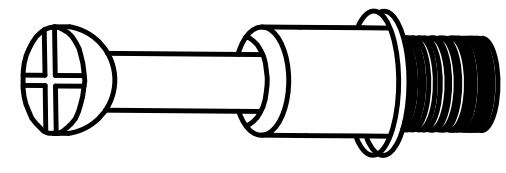
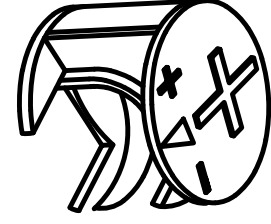
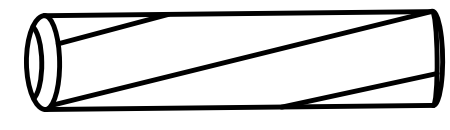
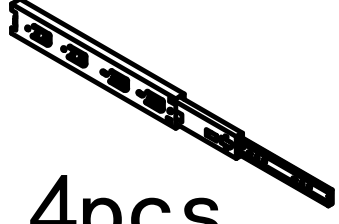
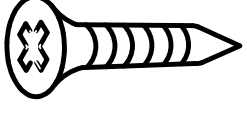

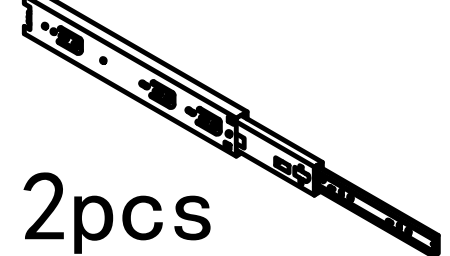
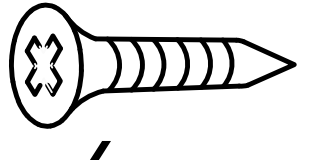
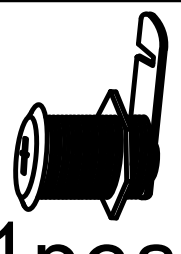


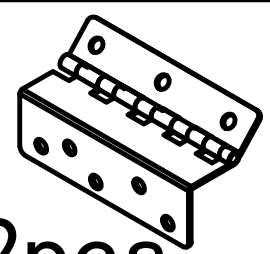
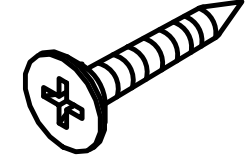
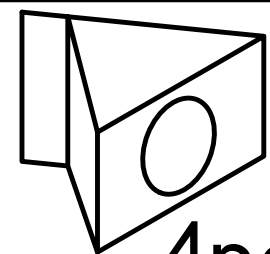
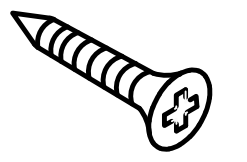
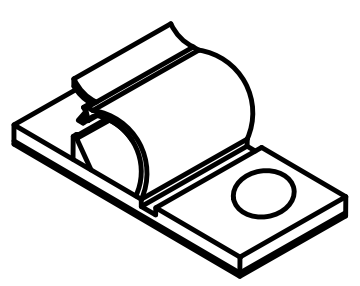
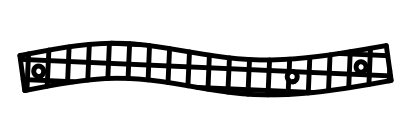
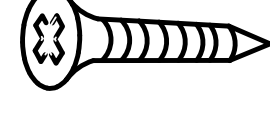

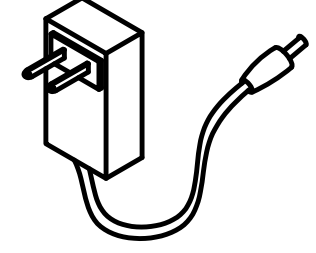
Screws must be centered and not placed near the sides.

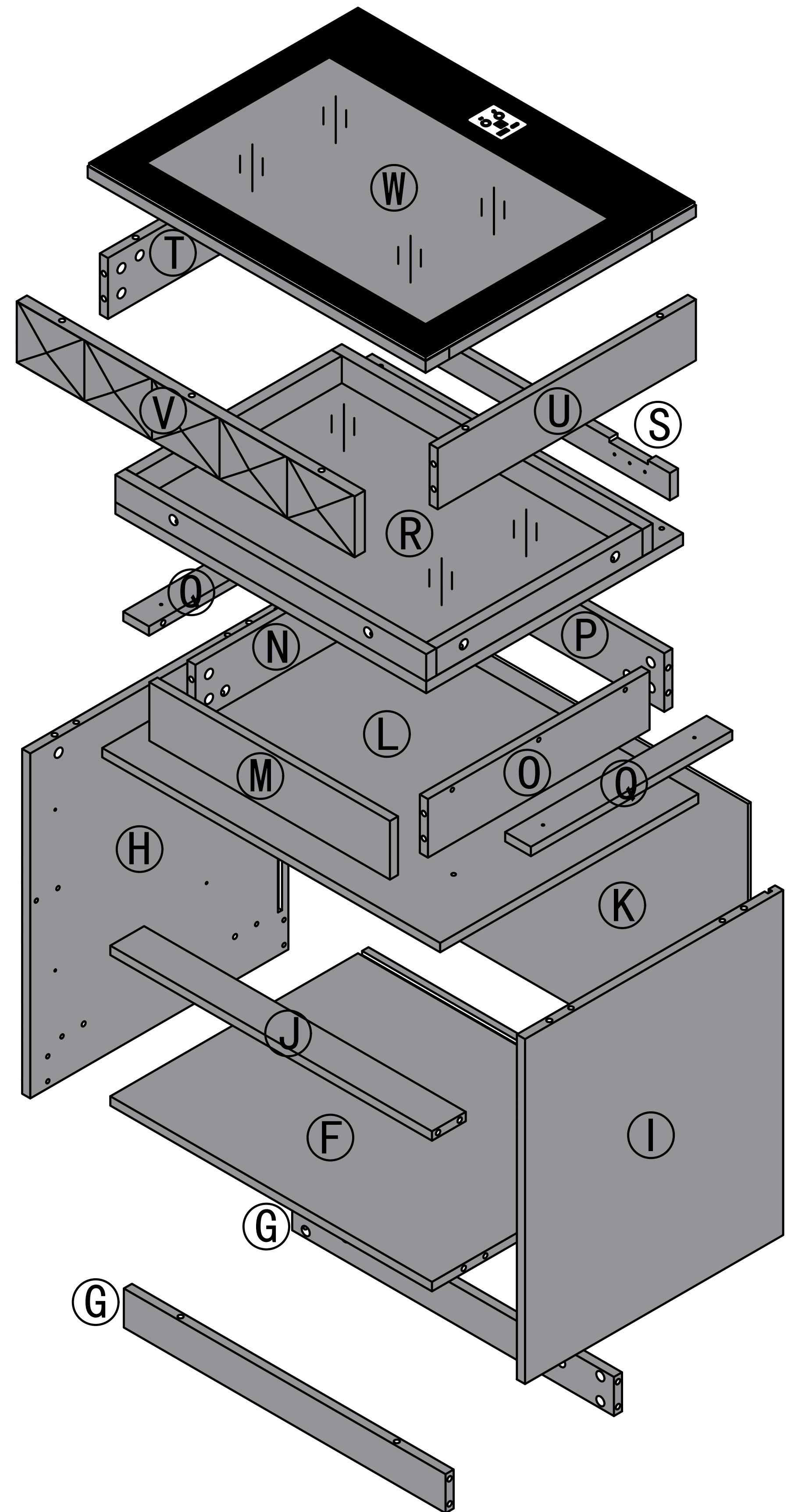
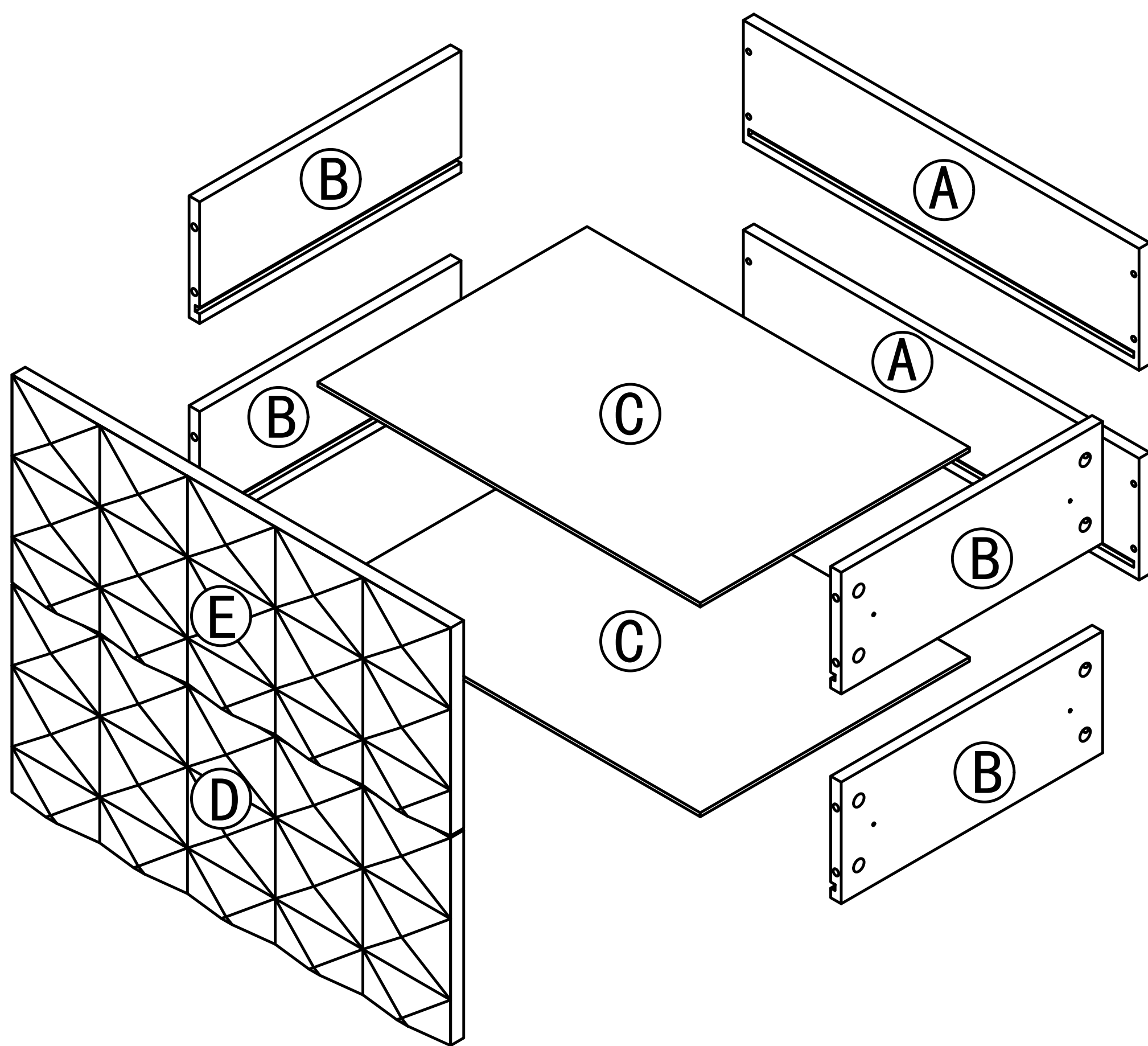
Step 7



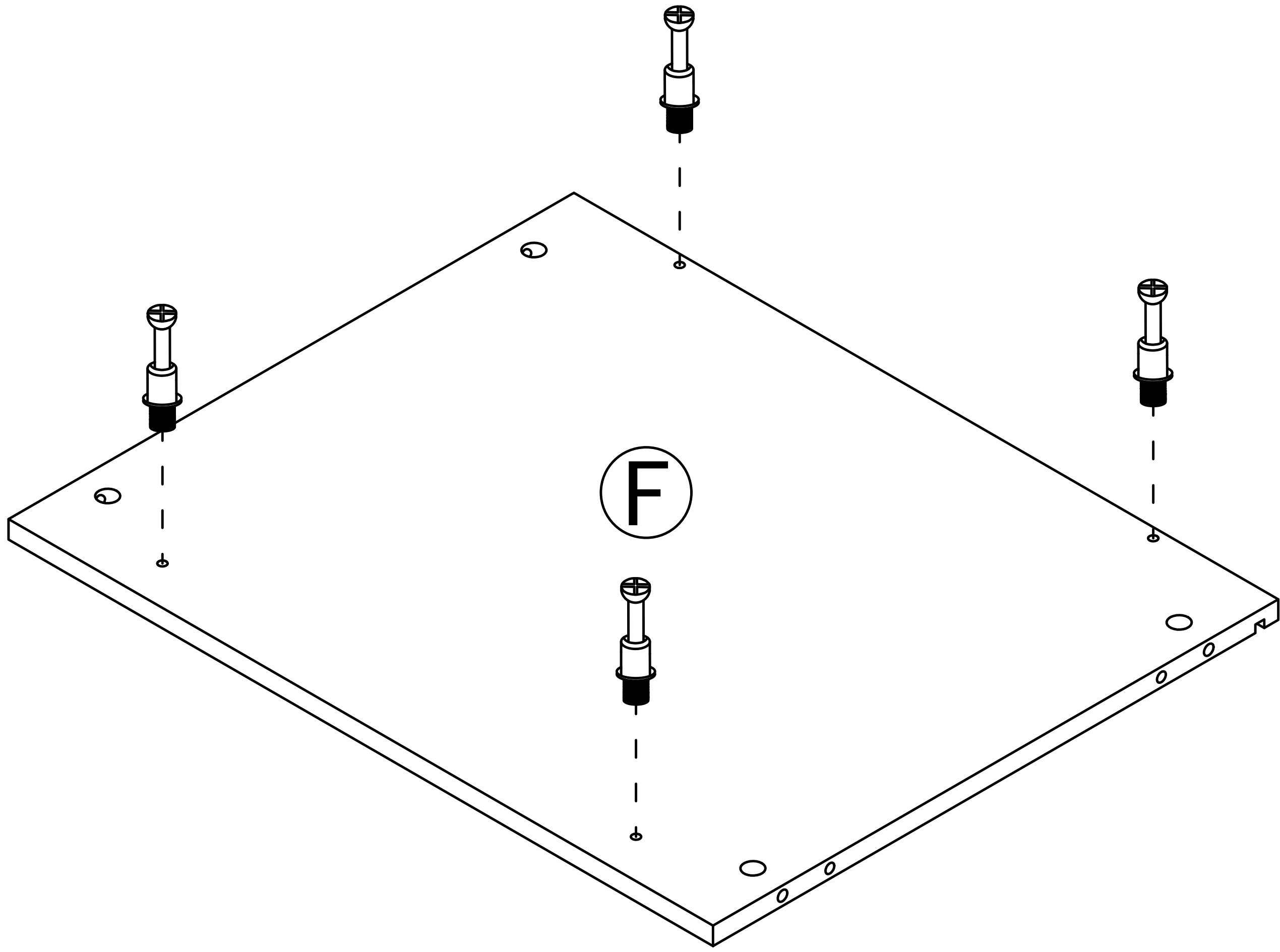
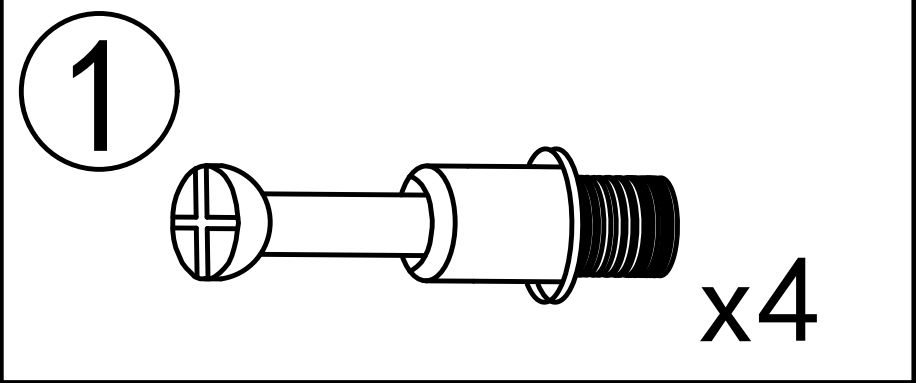
- ①  x8
- ②  x8
- ④  x2
-  x4

The installation method for the other drawer is the same

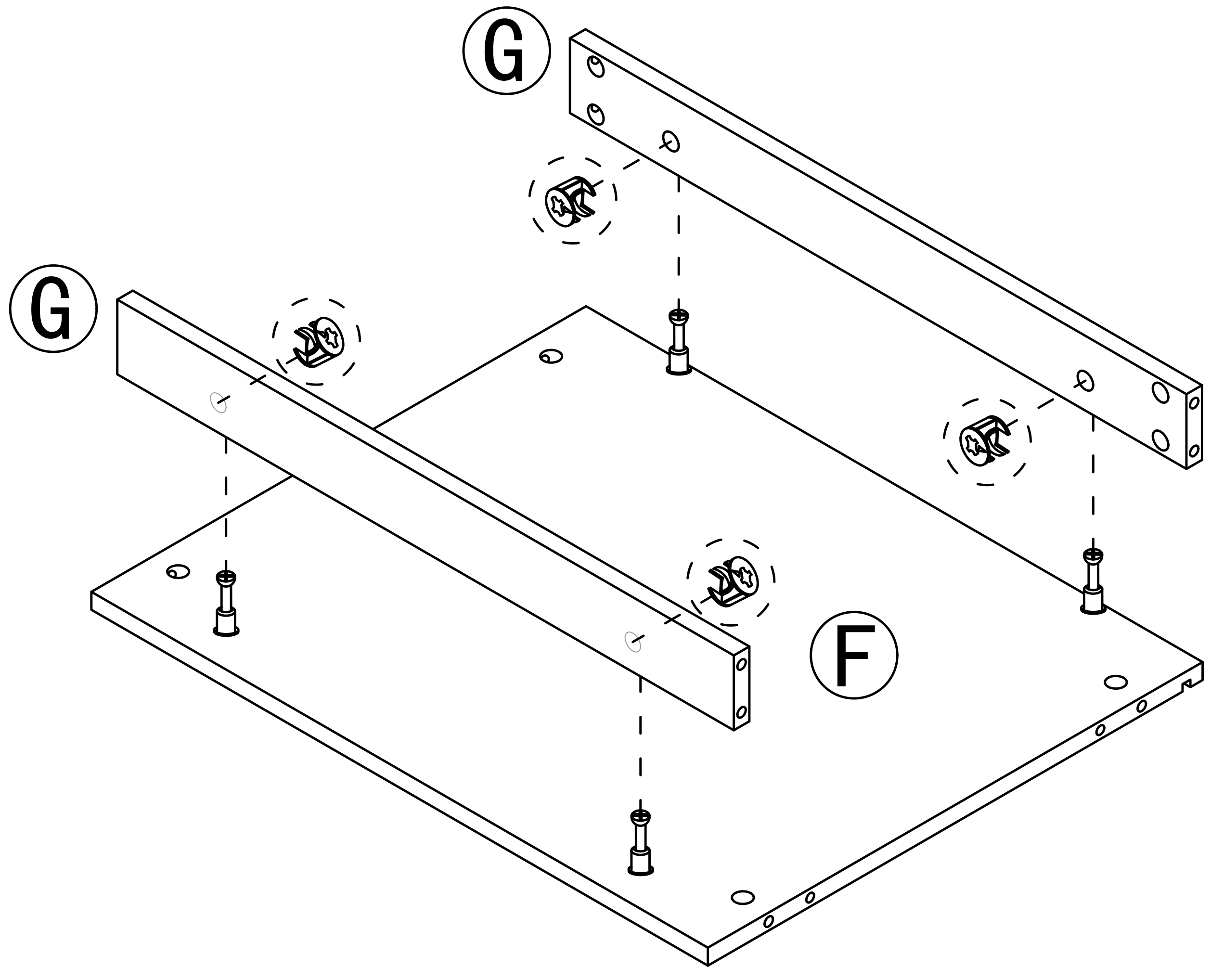
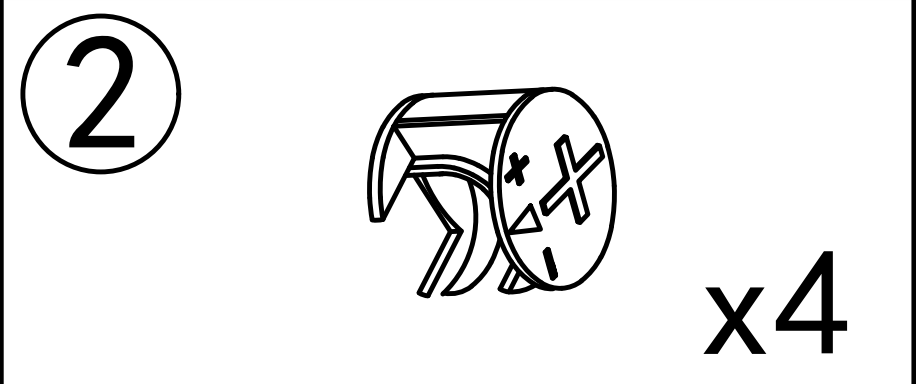
①	 60pcs	②	 60pcs	③	 8pcs				
④	 4pcs	 12pcs	⑤	 4pcs	⑥	 2pcs	 6pcs		
⑦	 1pcs	 1pcs	 1pcs	⑧	 2pcs	 6pcs	⑨	 4pcs	 4pcs
⑩	 3pcs	⑪	 1pcs	 3pcs	 1pcs		 1pcs		



Step 8

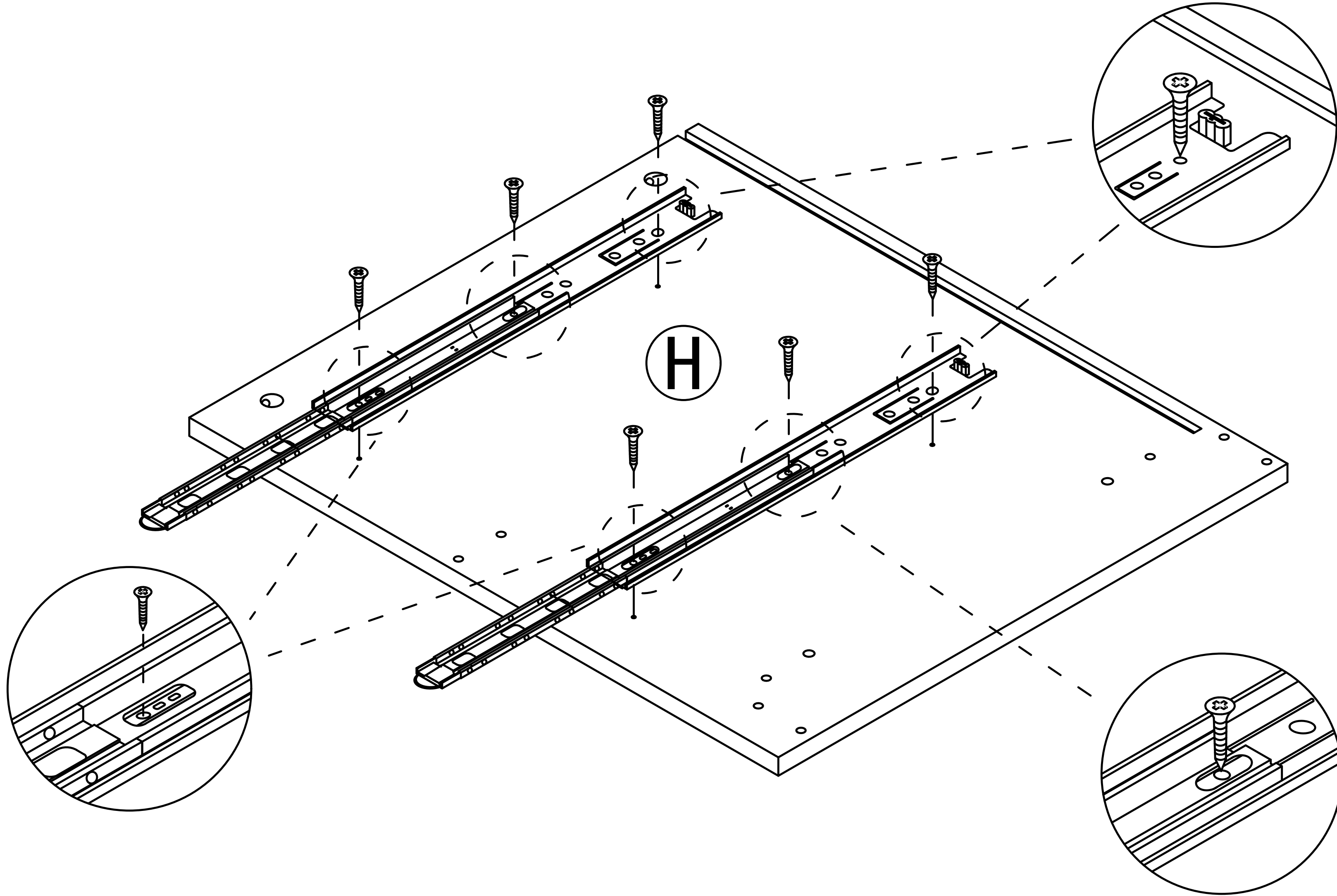
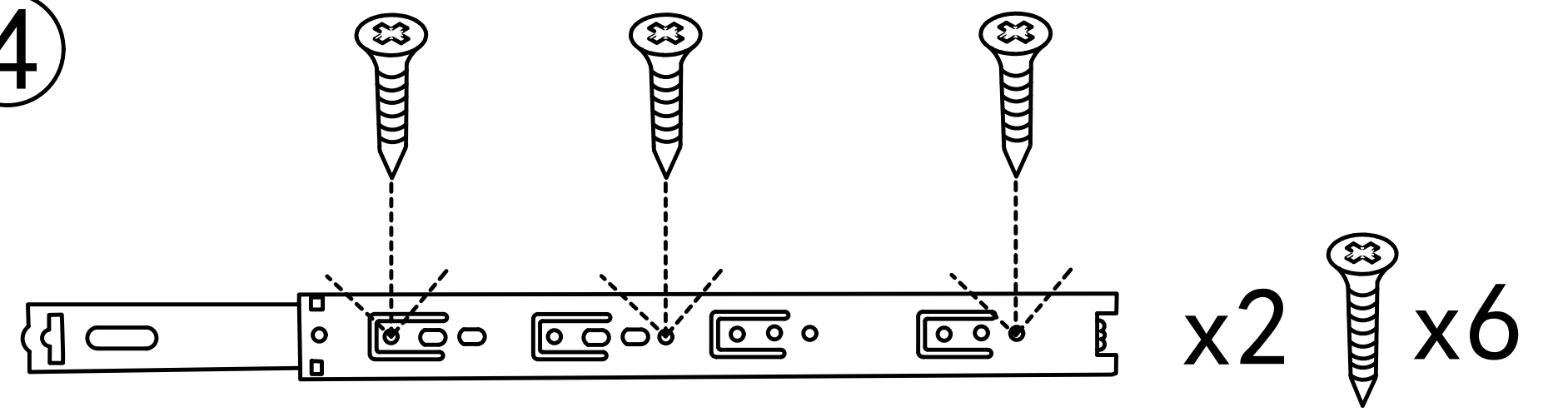


Step 9



Step 10

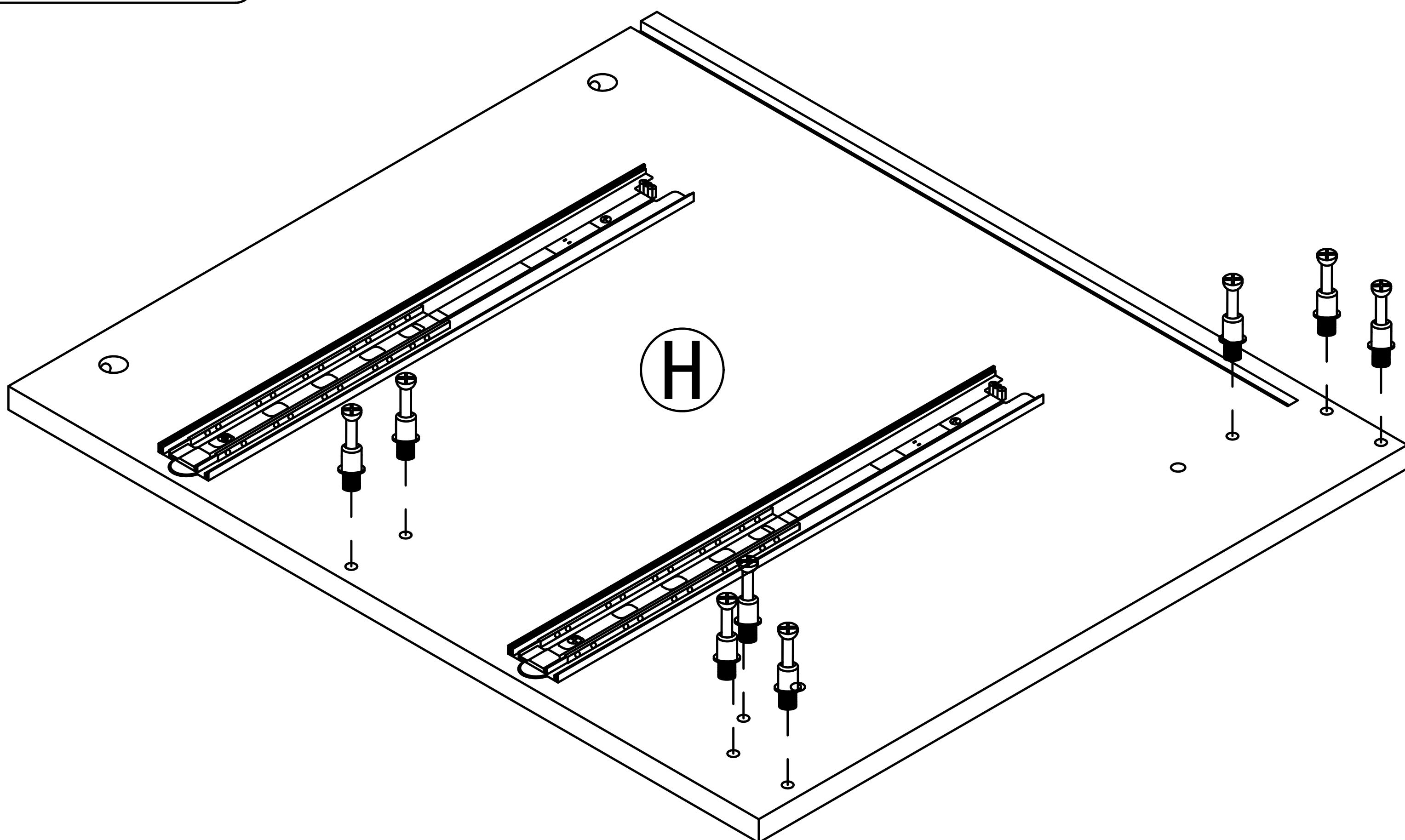
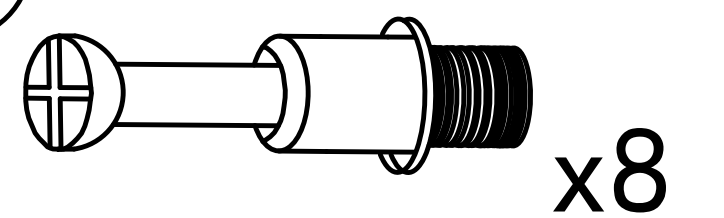
4



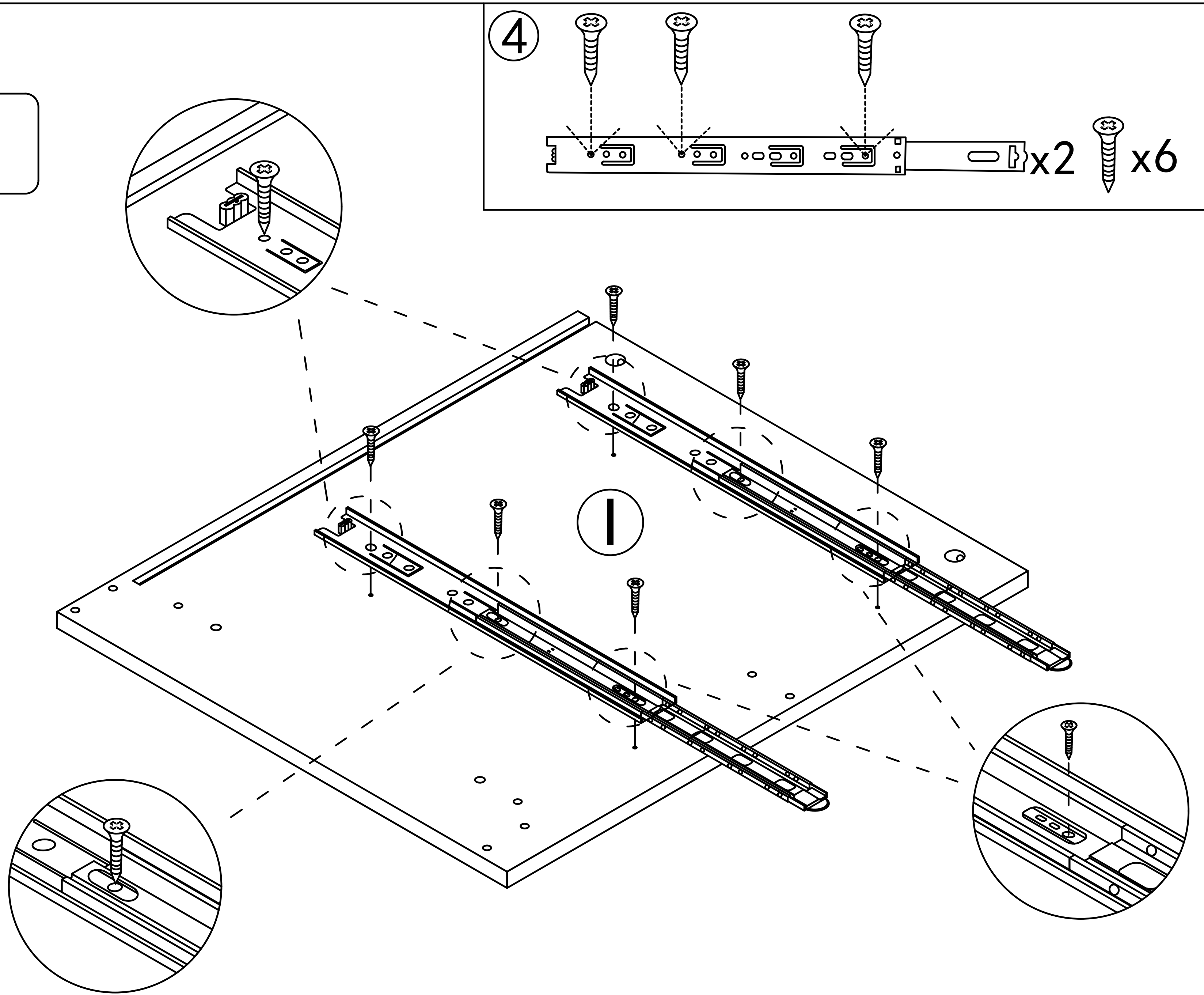
This hole is for strengthening fixed hole customers can choose to install according to their needs.

Step 11

1

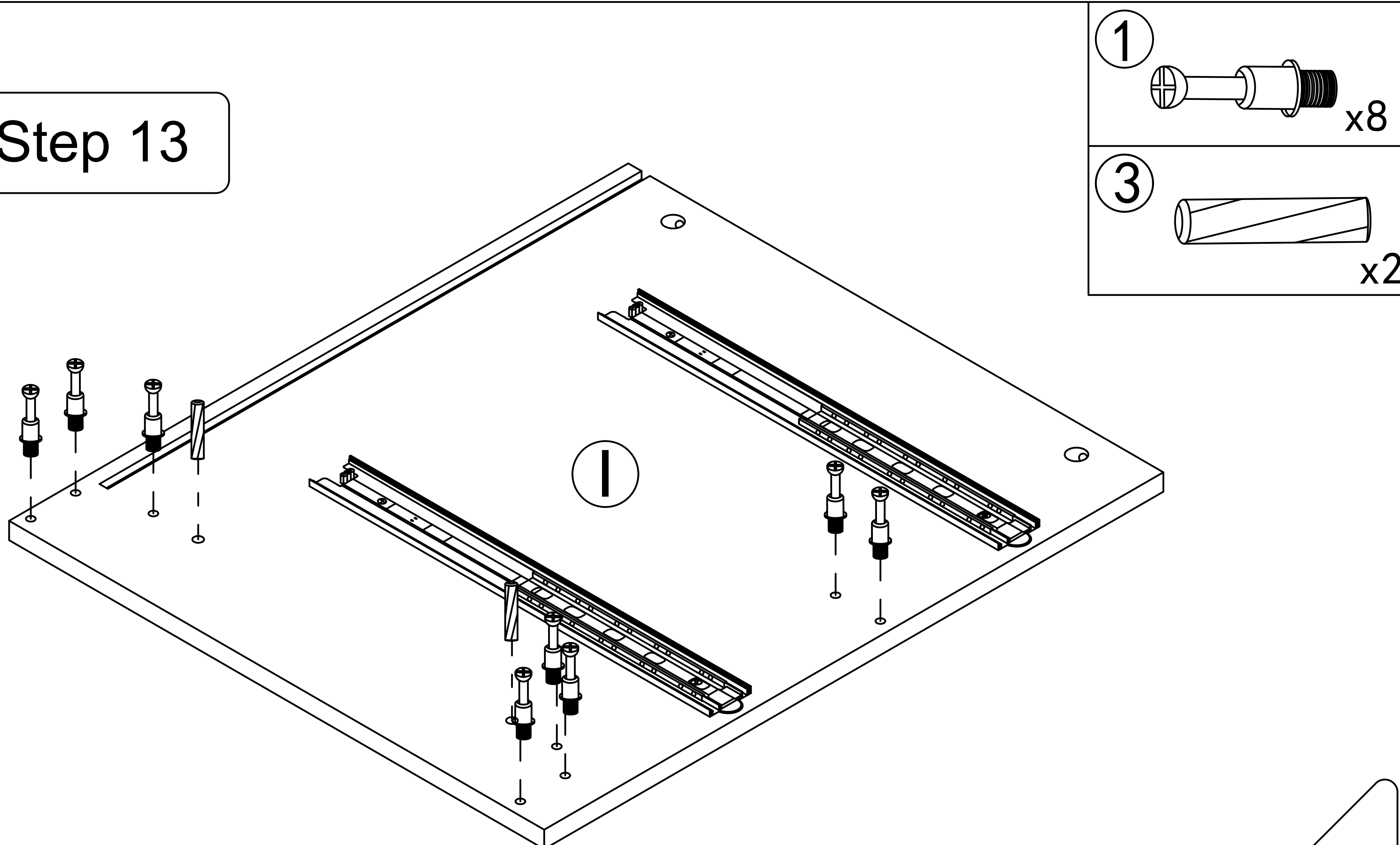


Step 12

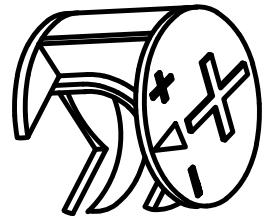


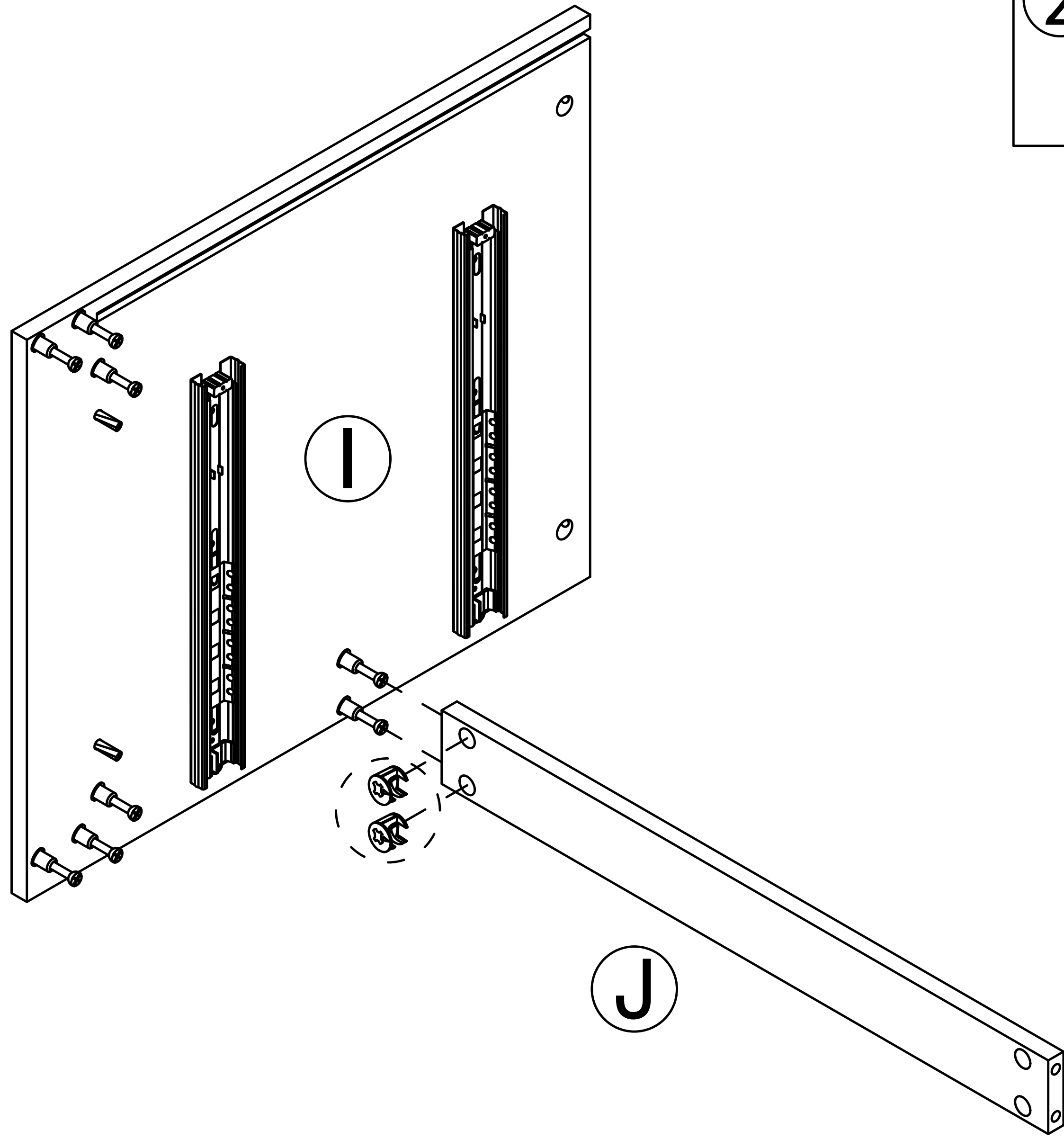
This hole is for strengthening fixed hole customers can choose to install according to their needs.

Step 13

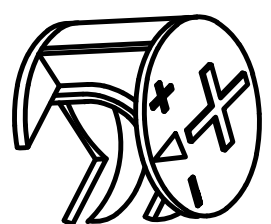


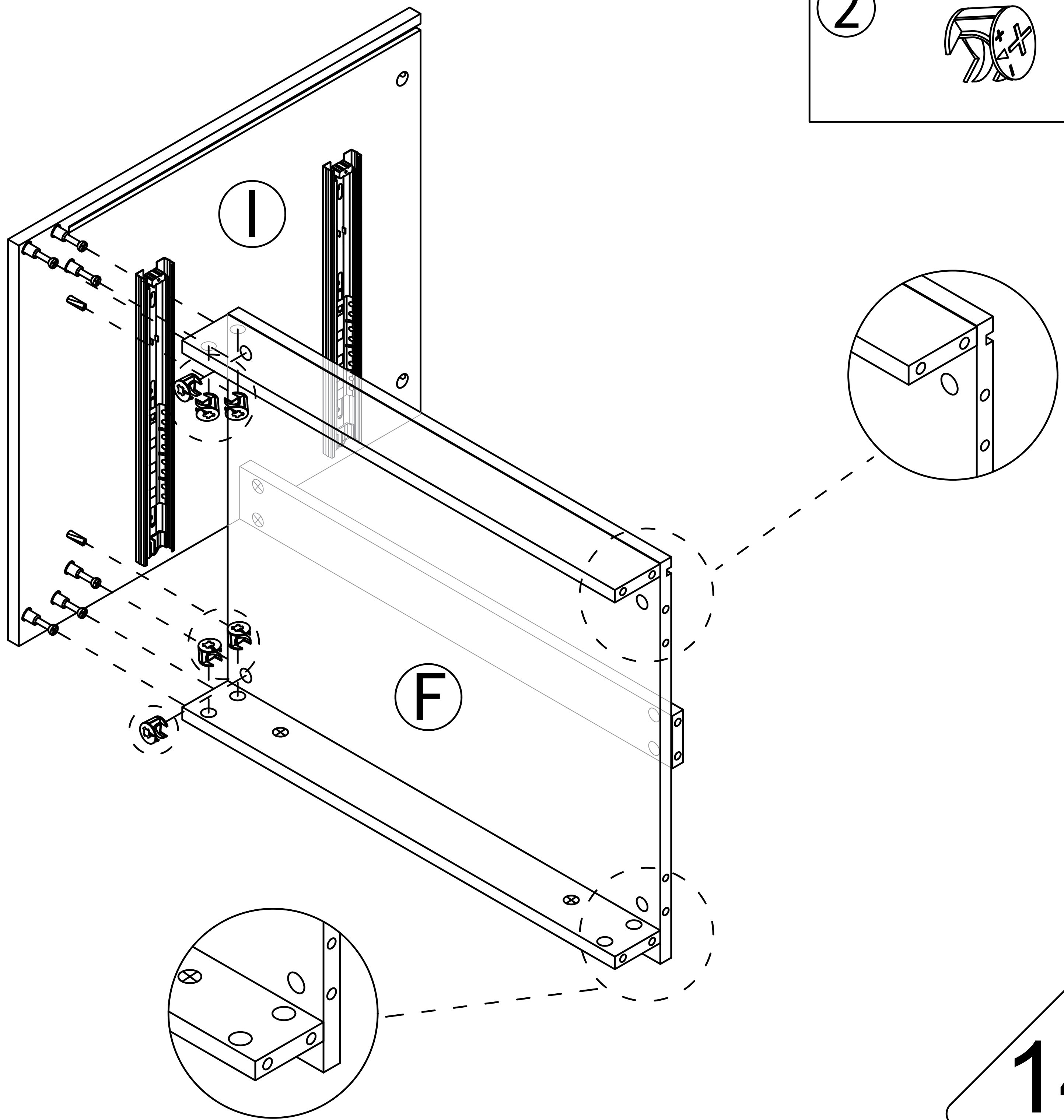
Step 14

2  x2

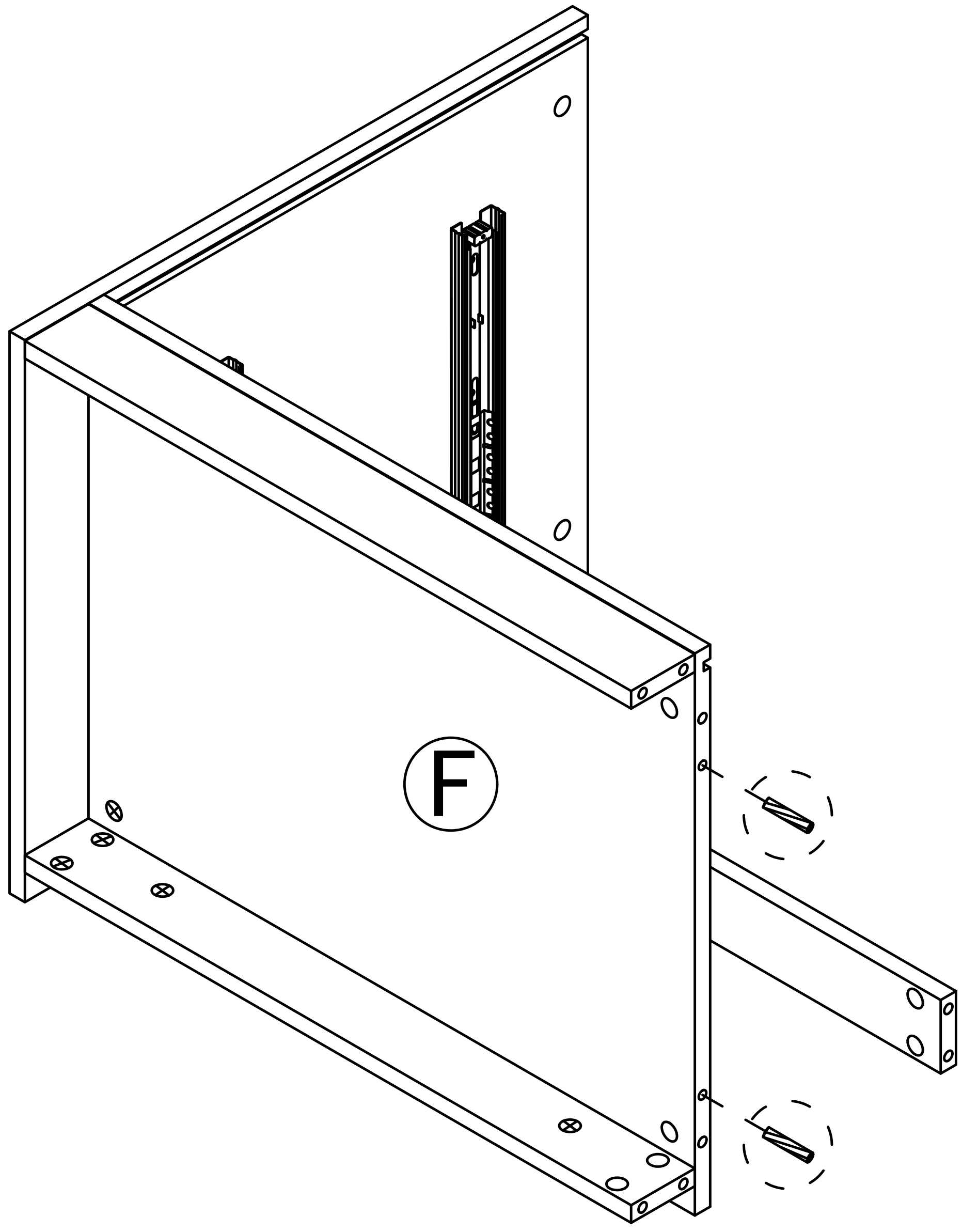
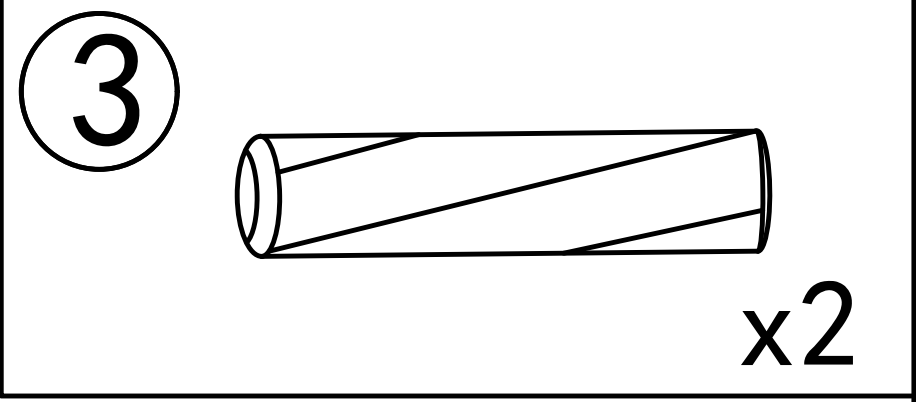


Step 15

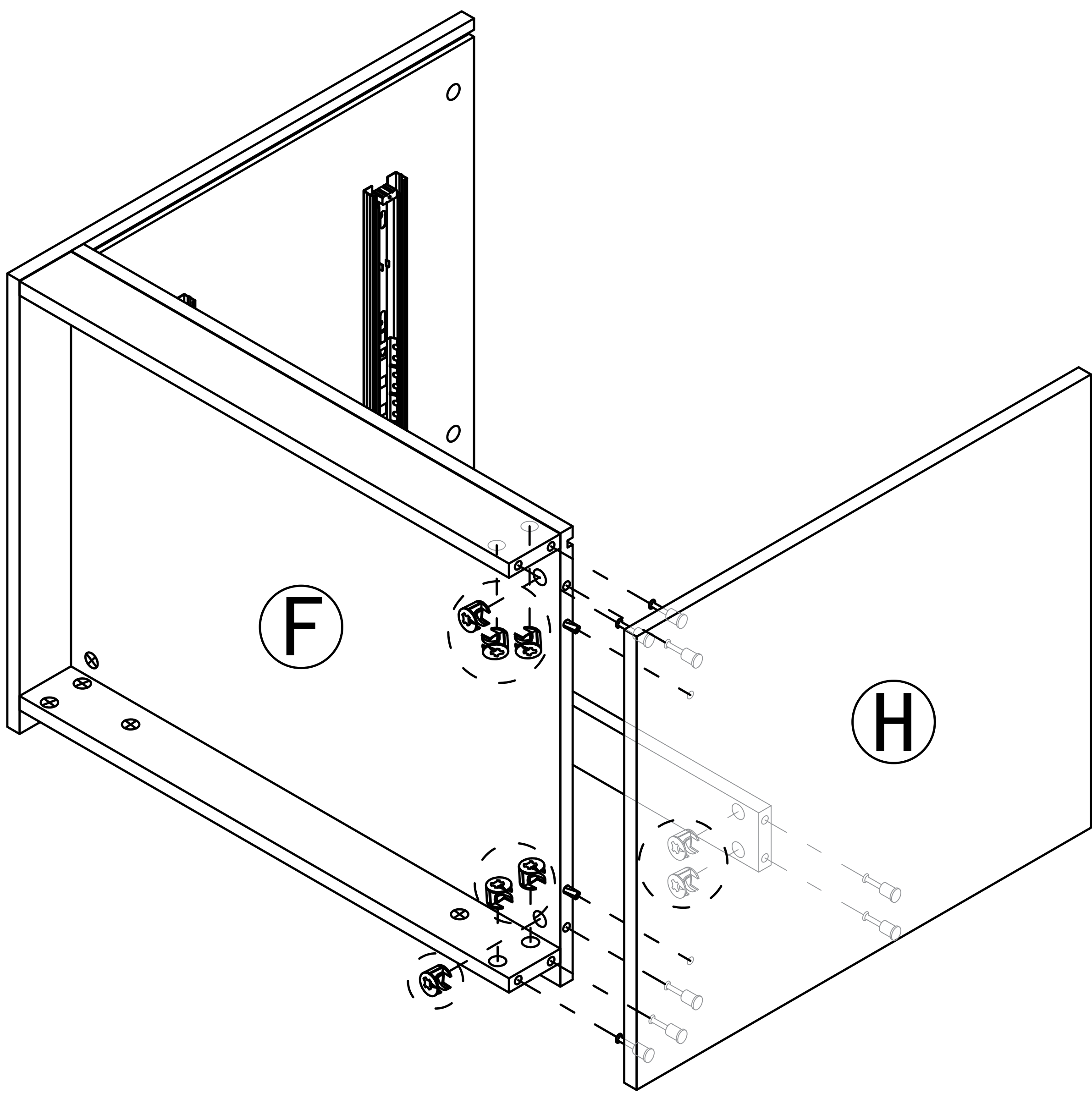
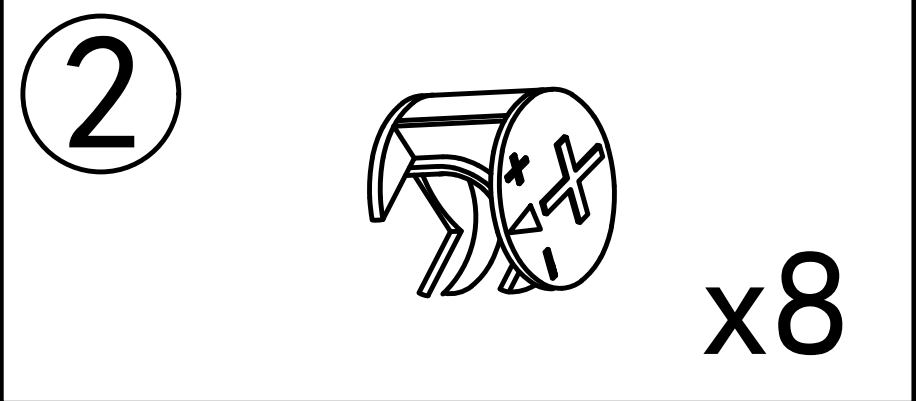
2  x6



Step 16

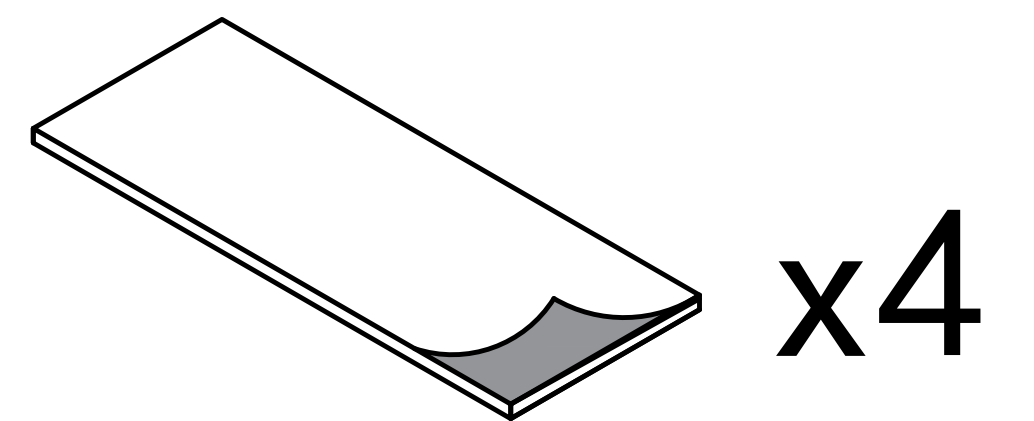


Step 17

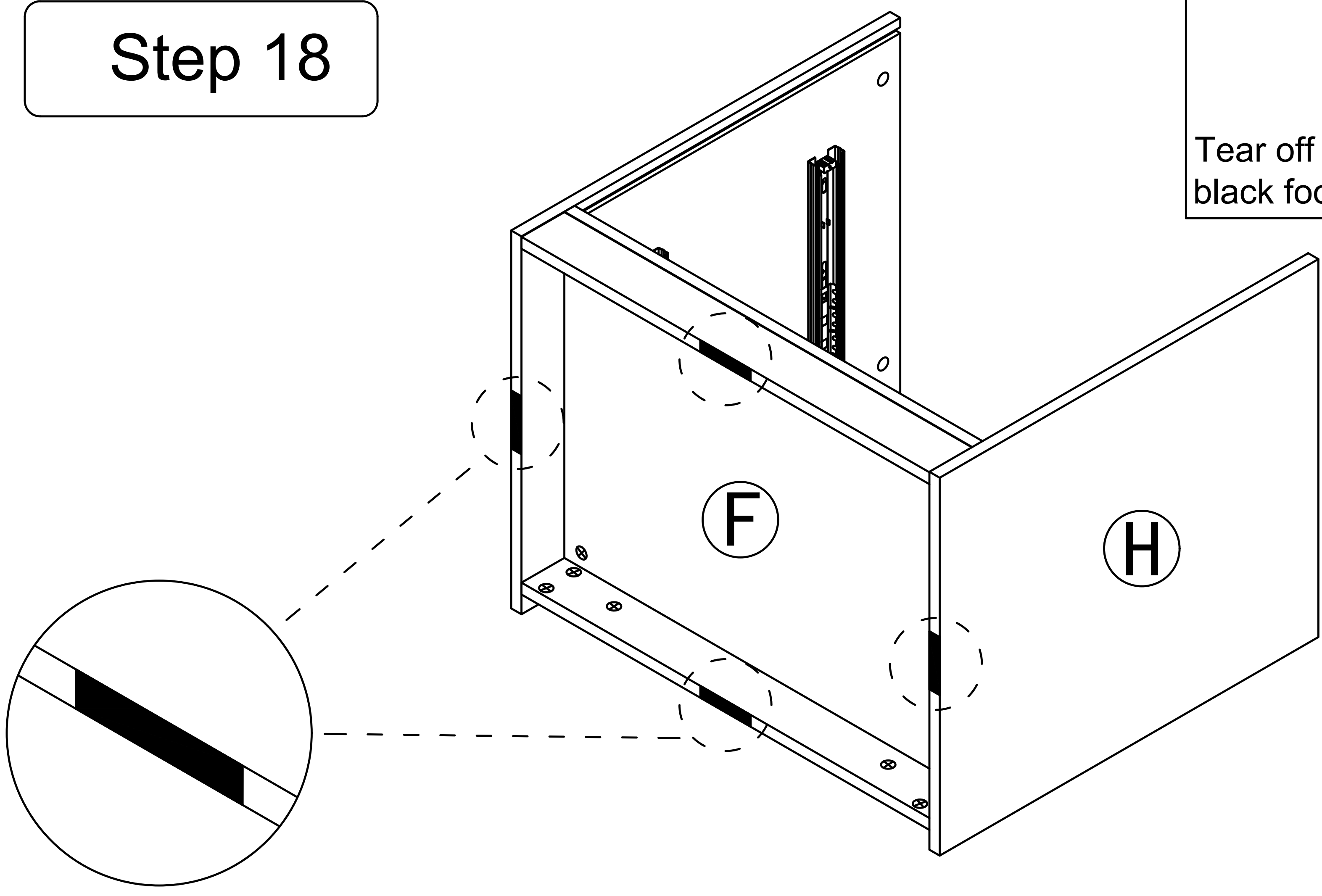


Step 18

5

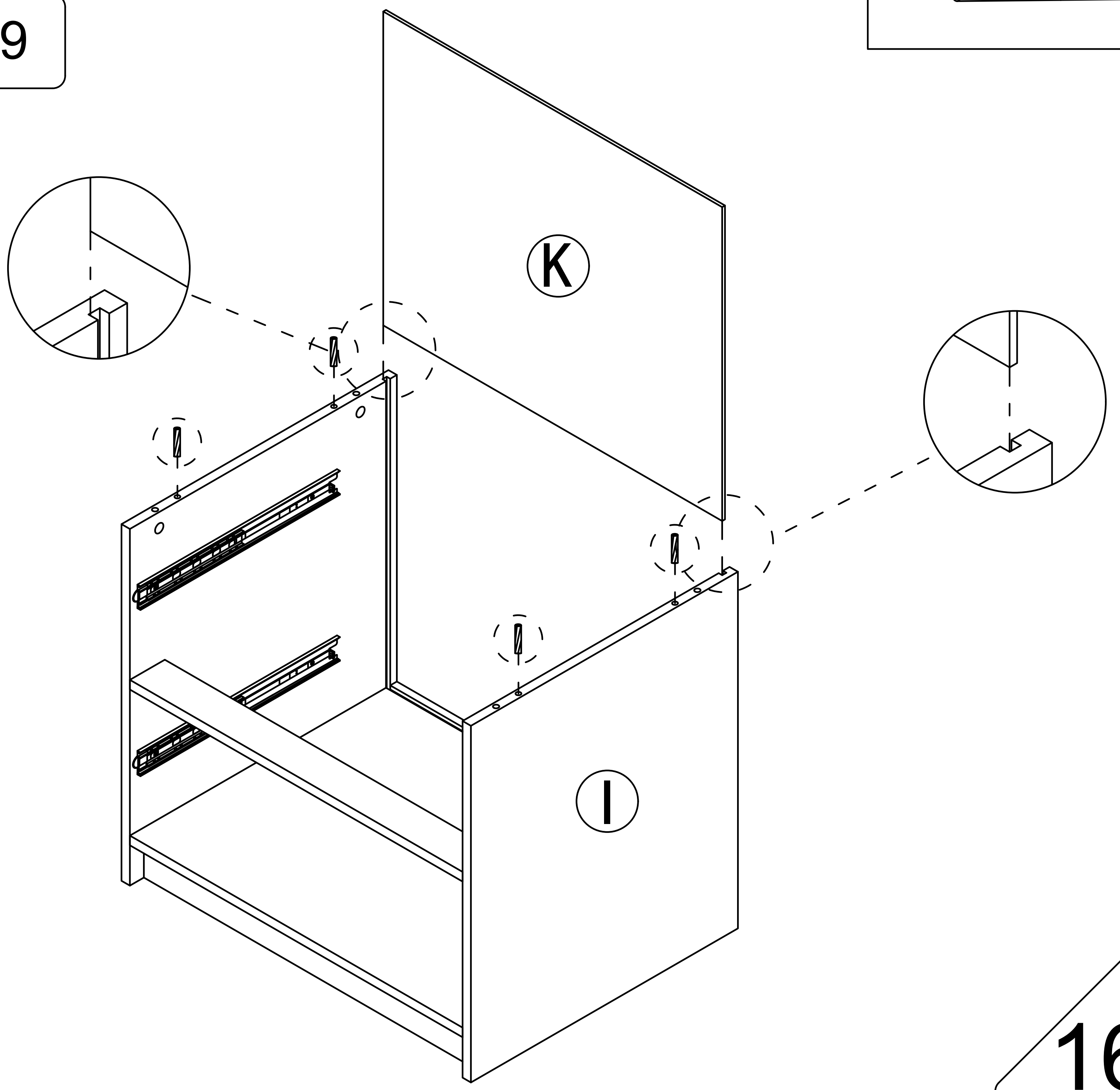
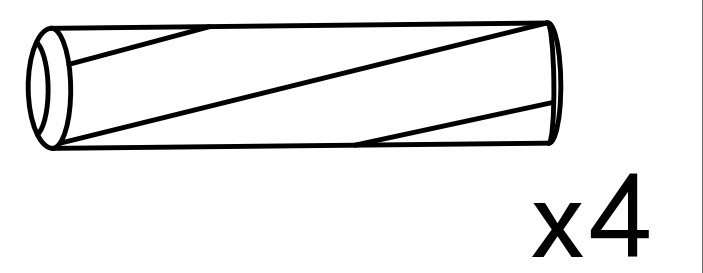


Tear off release paper and stick the black foot pad on the board

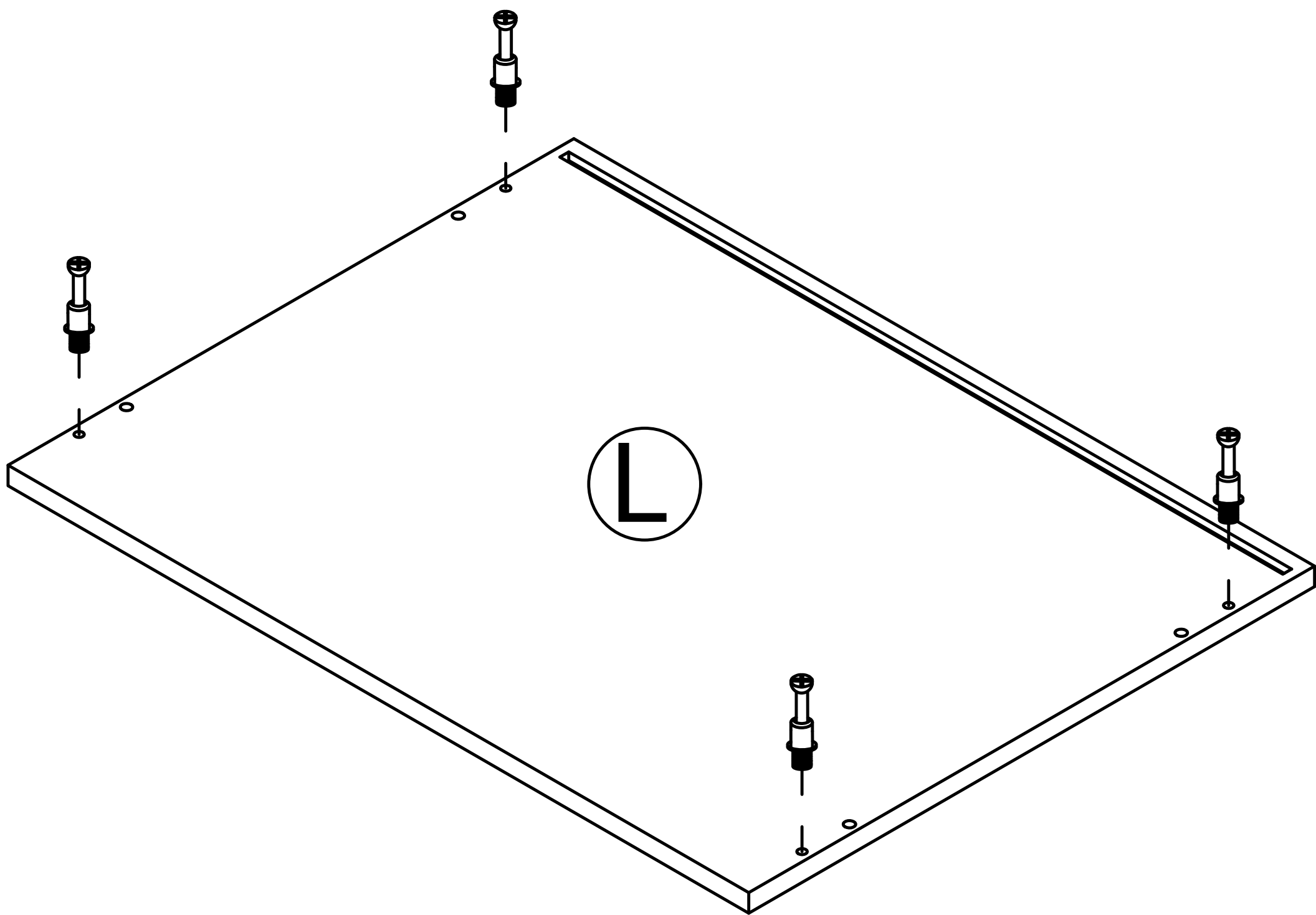
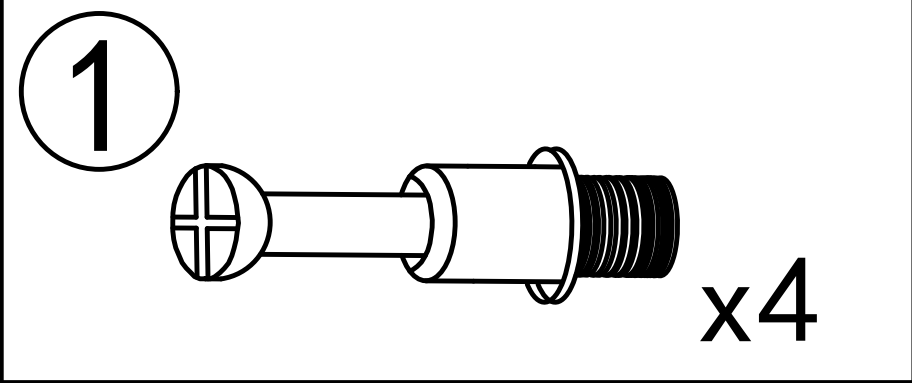


Step 19

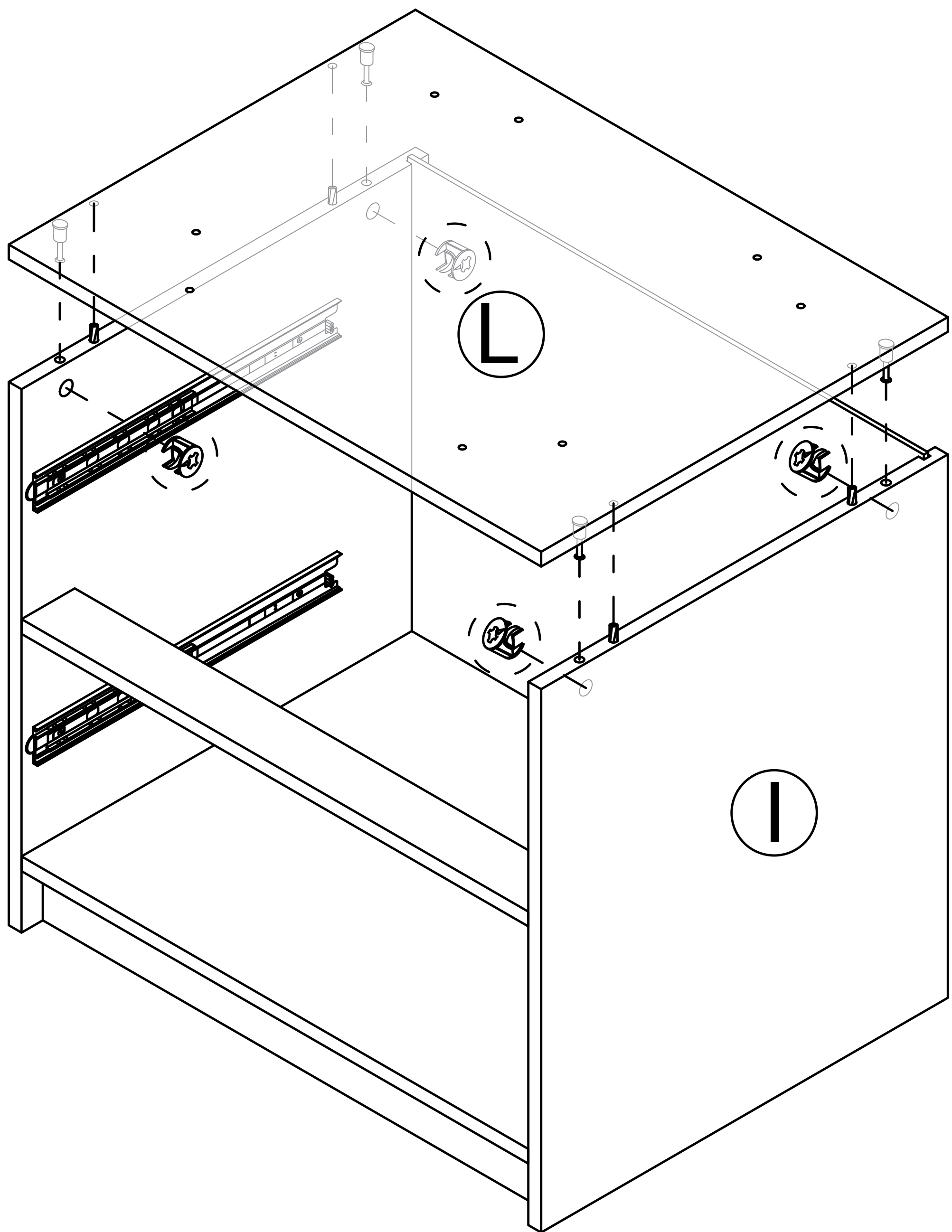
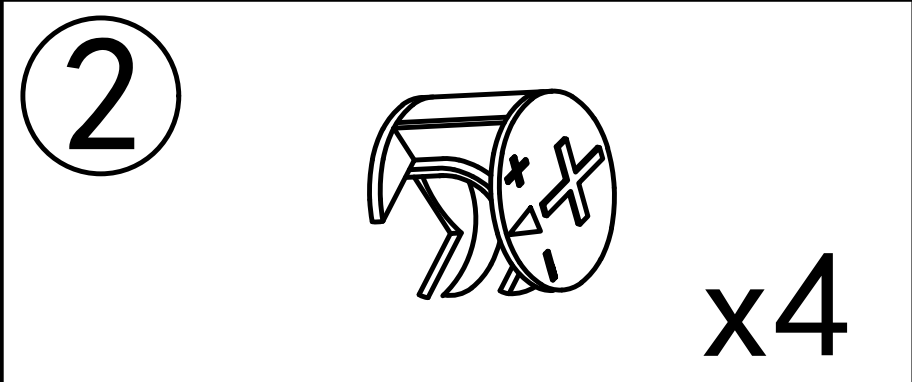
3



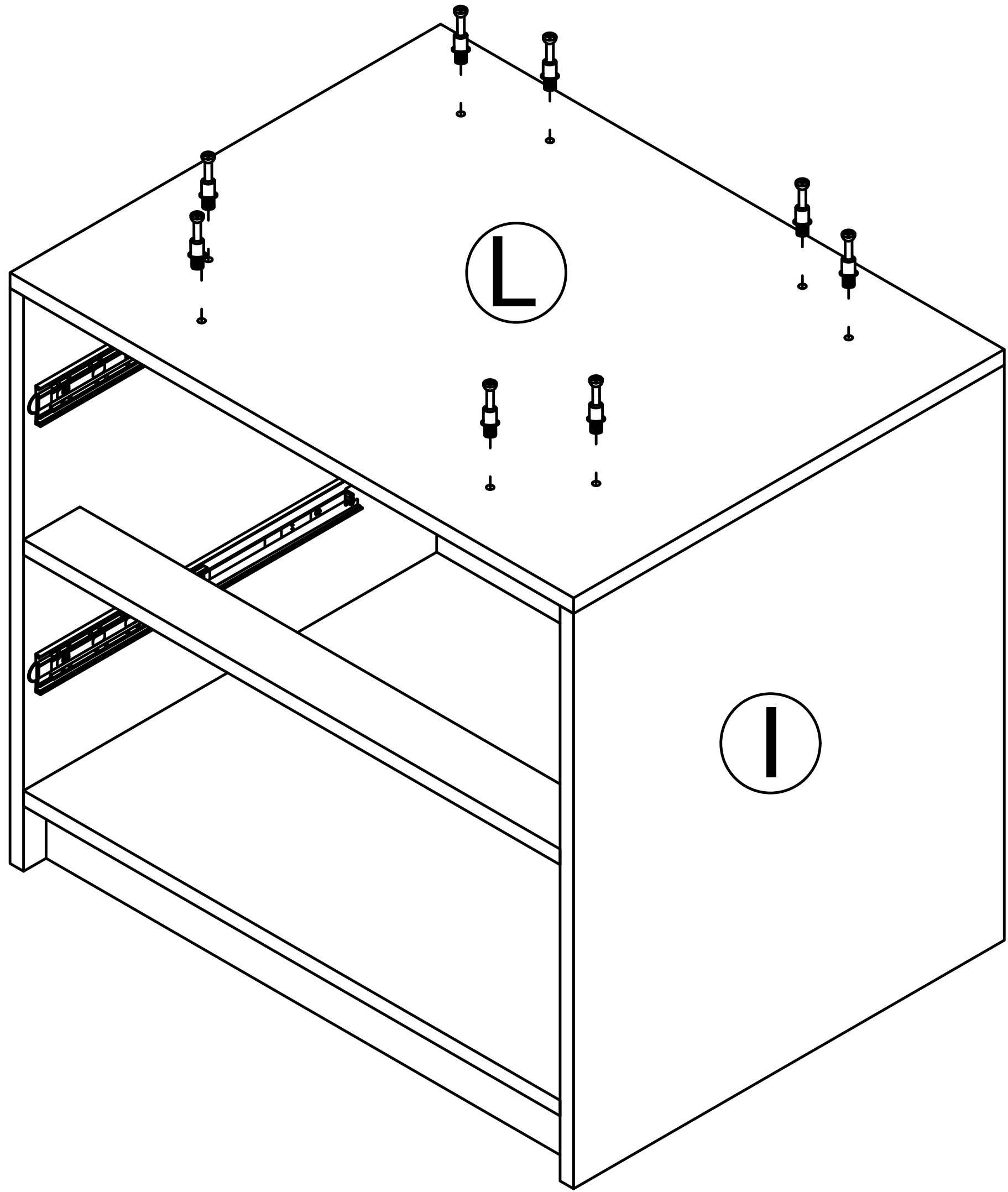
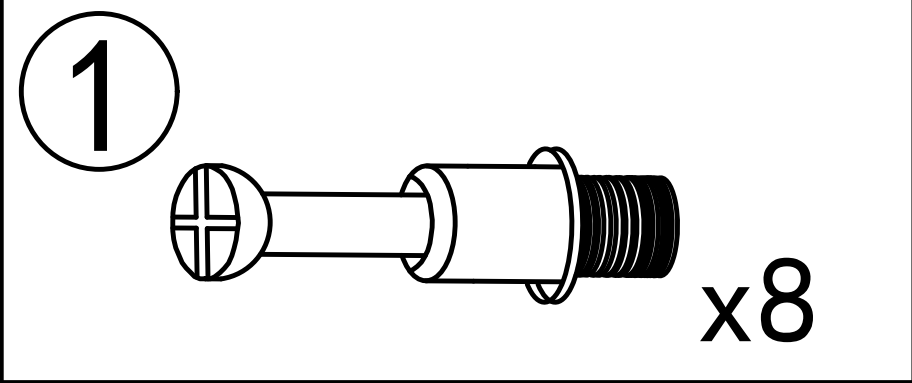
Step 20



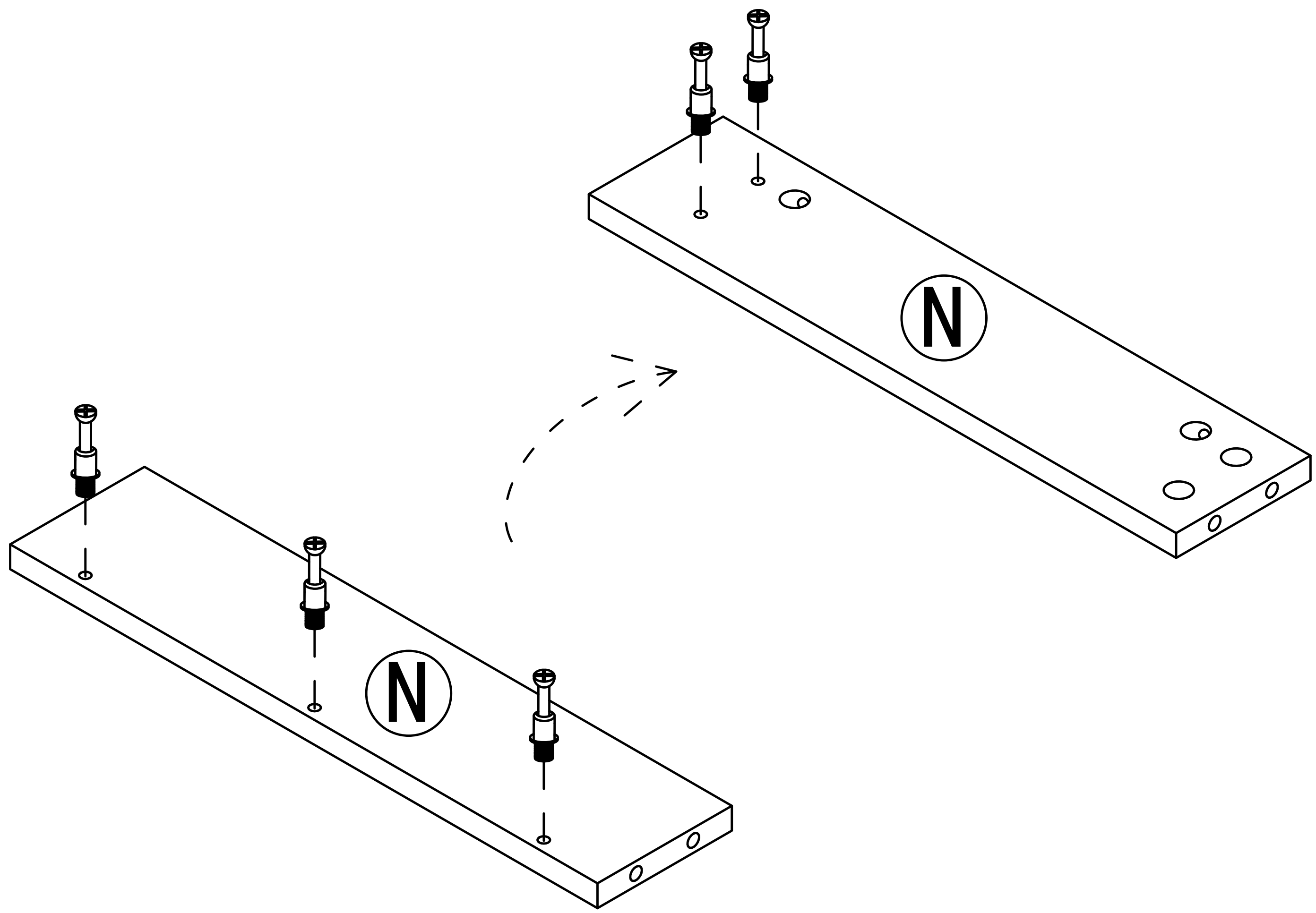
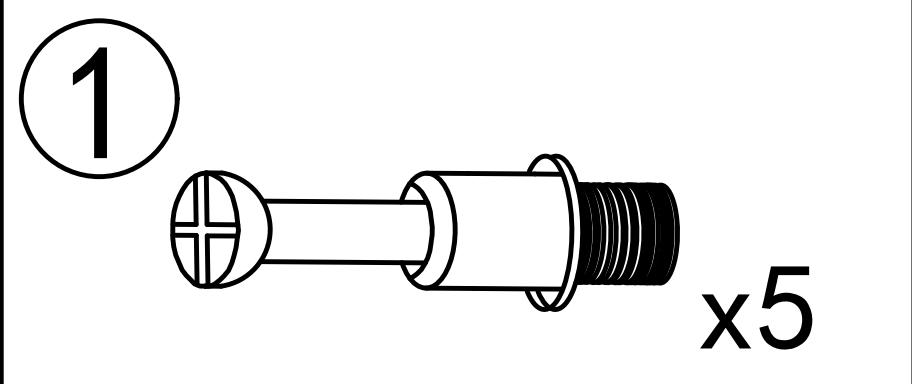
Step 21



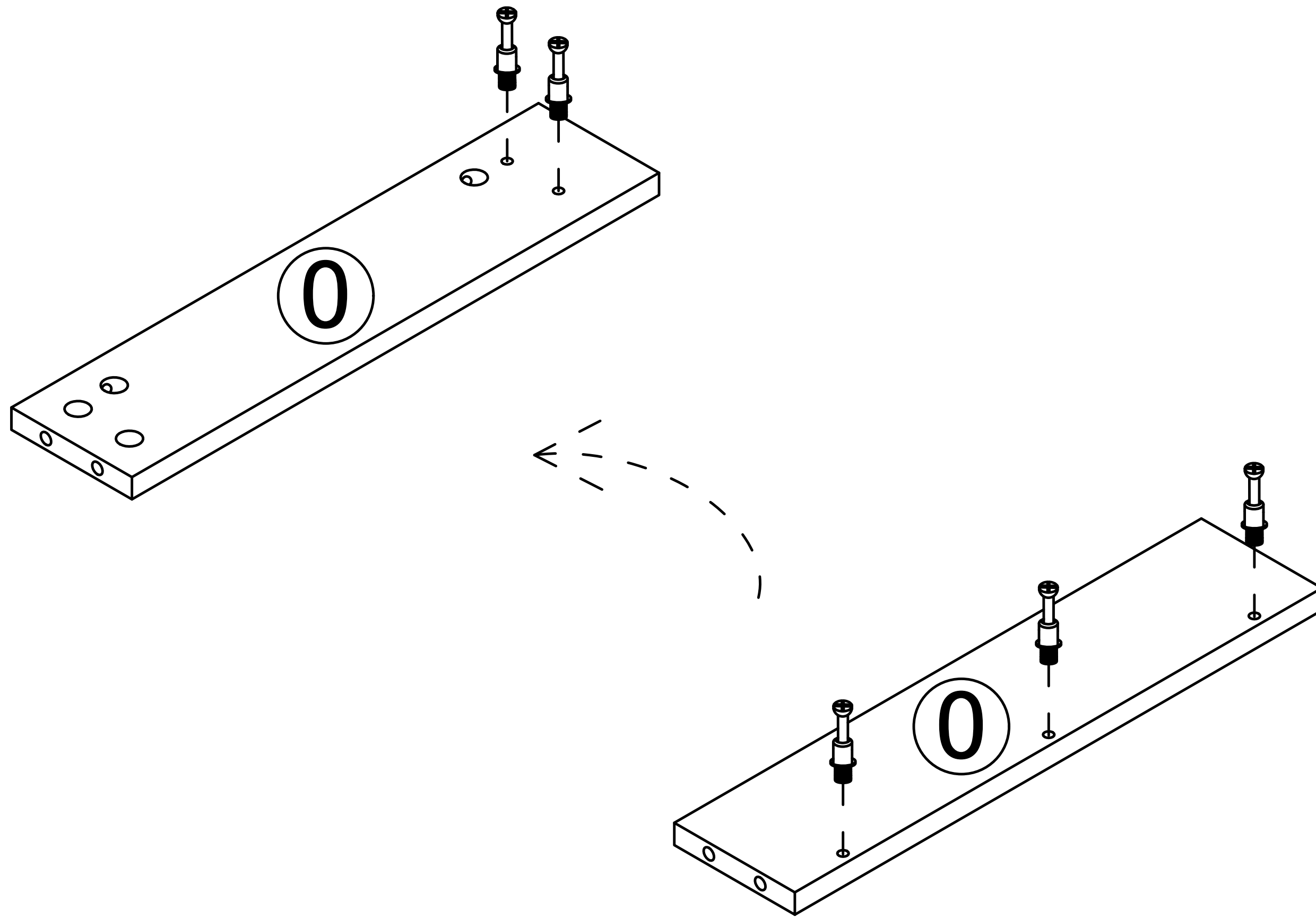
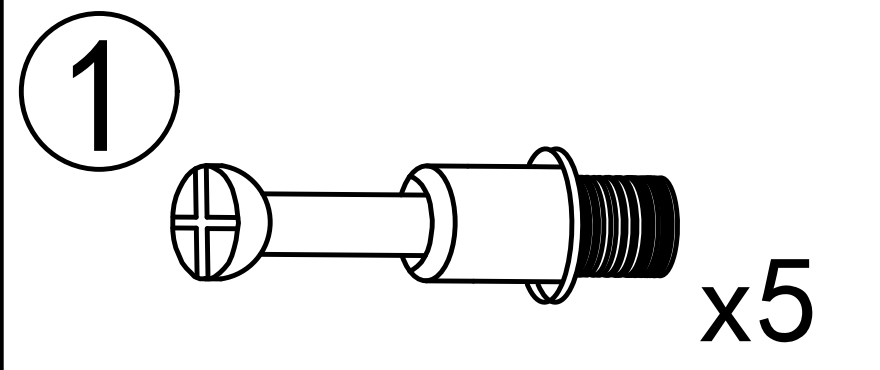
Step 22



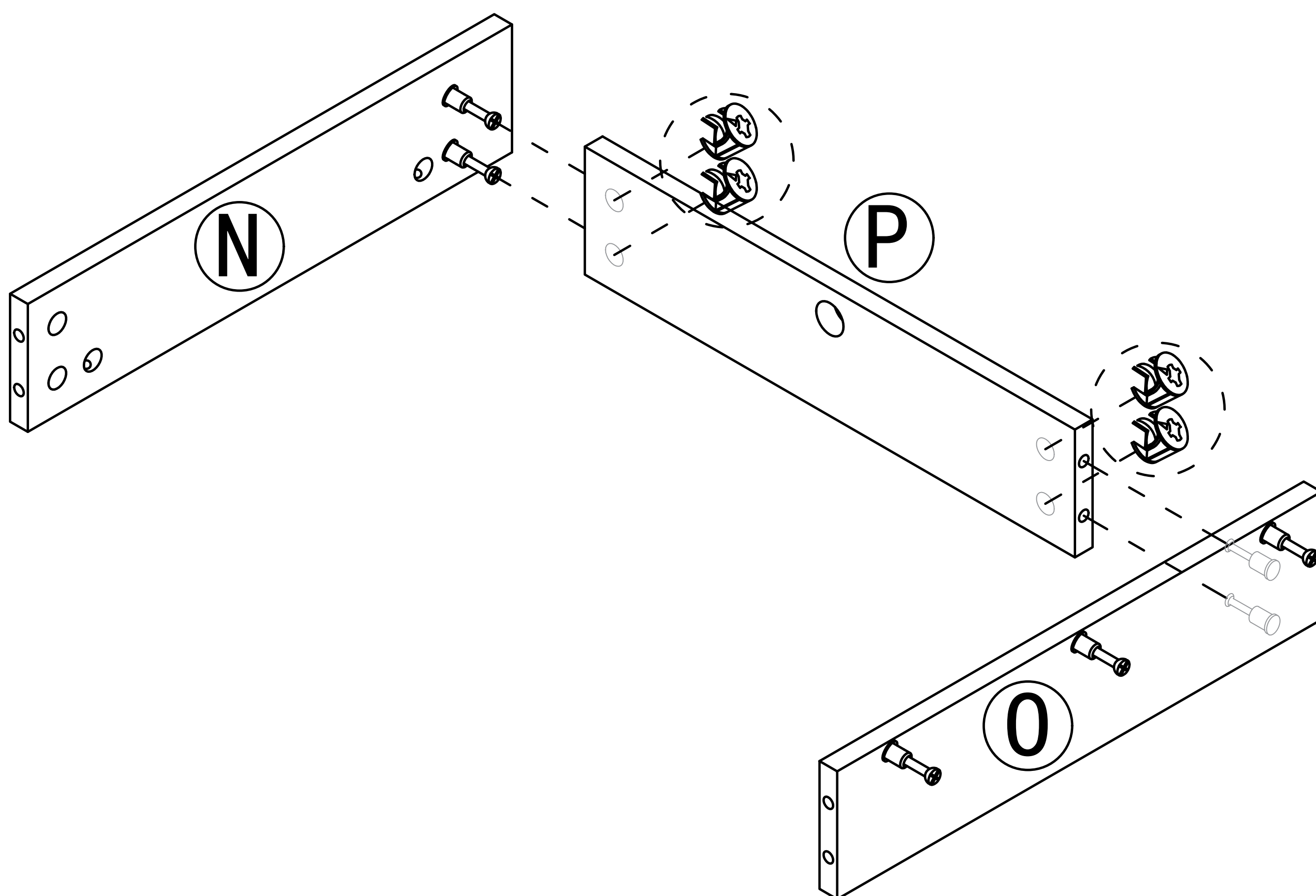
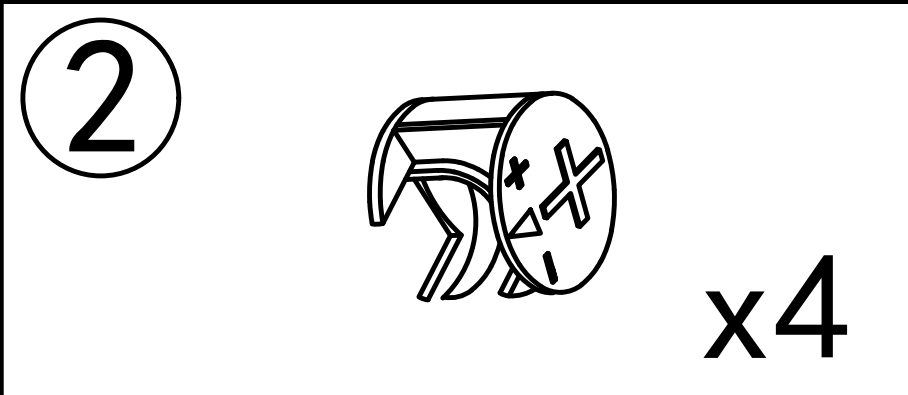
Step 23



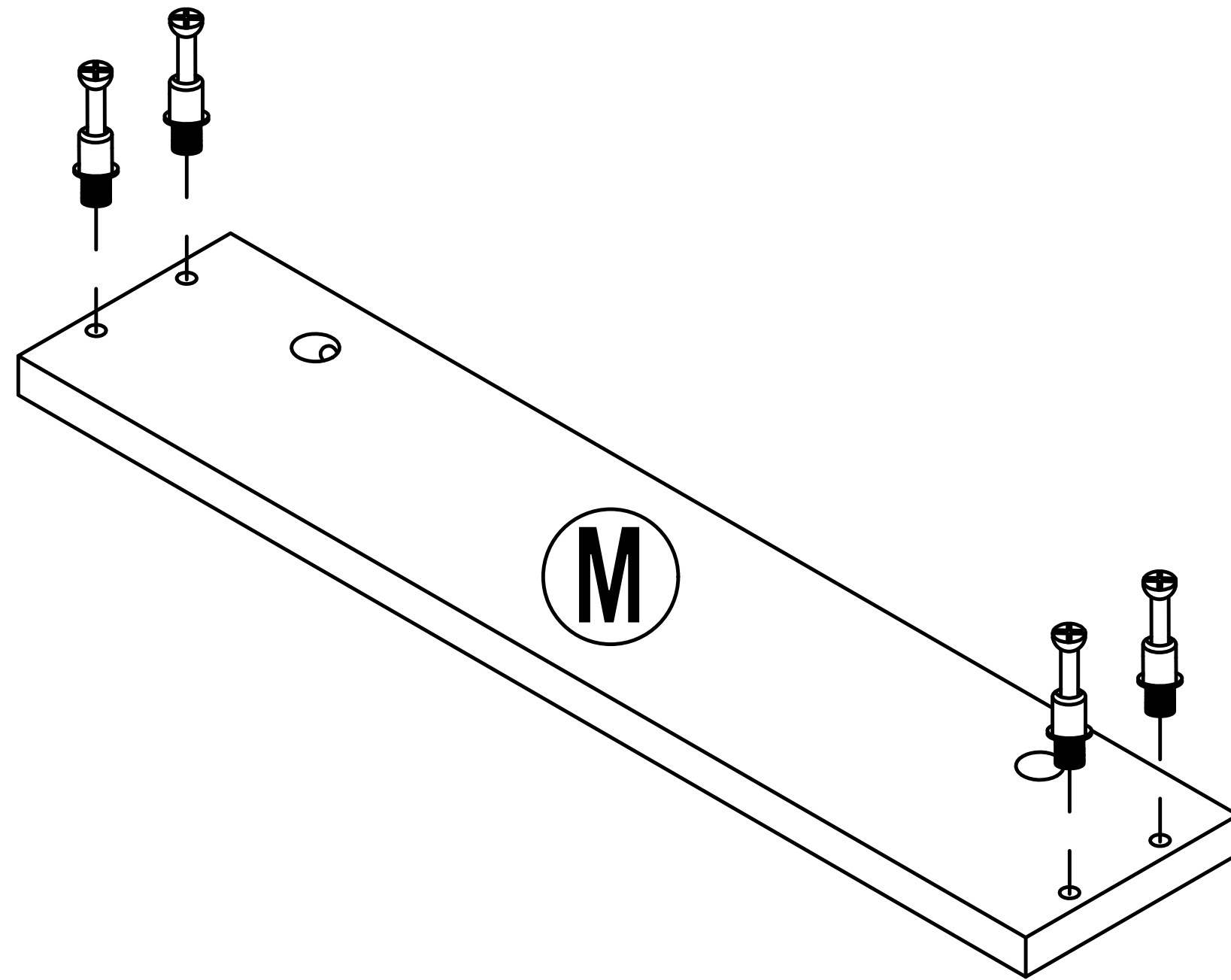
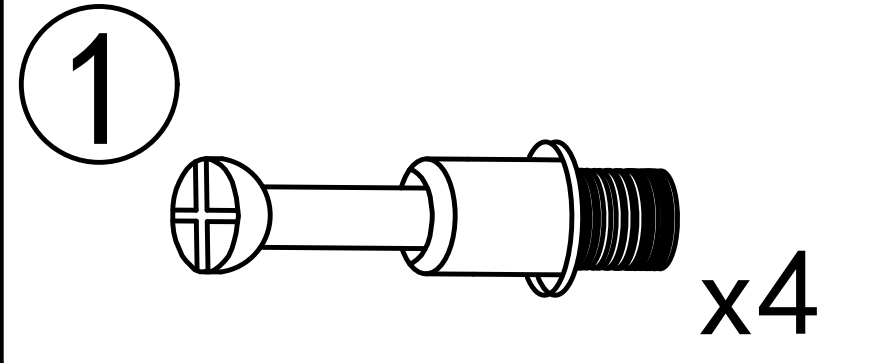
Step 24



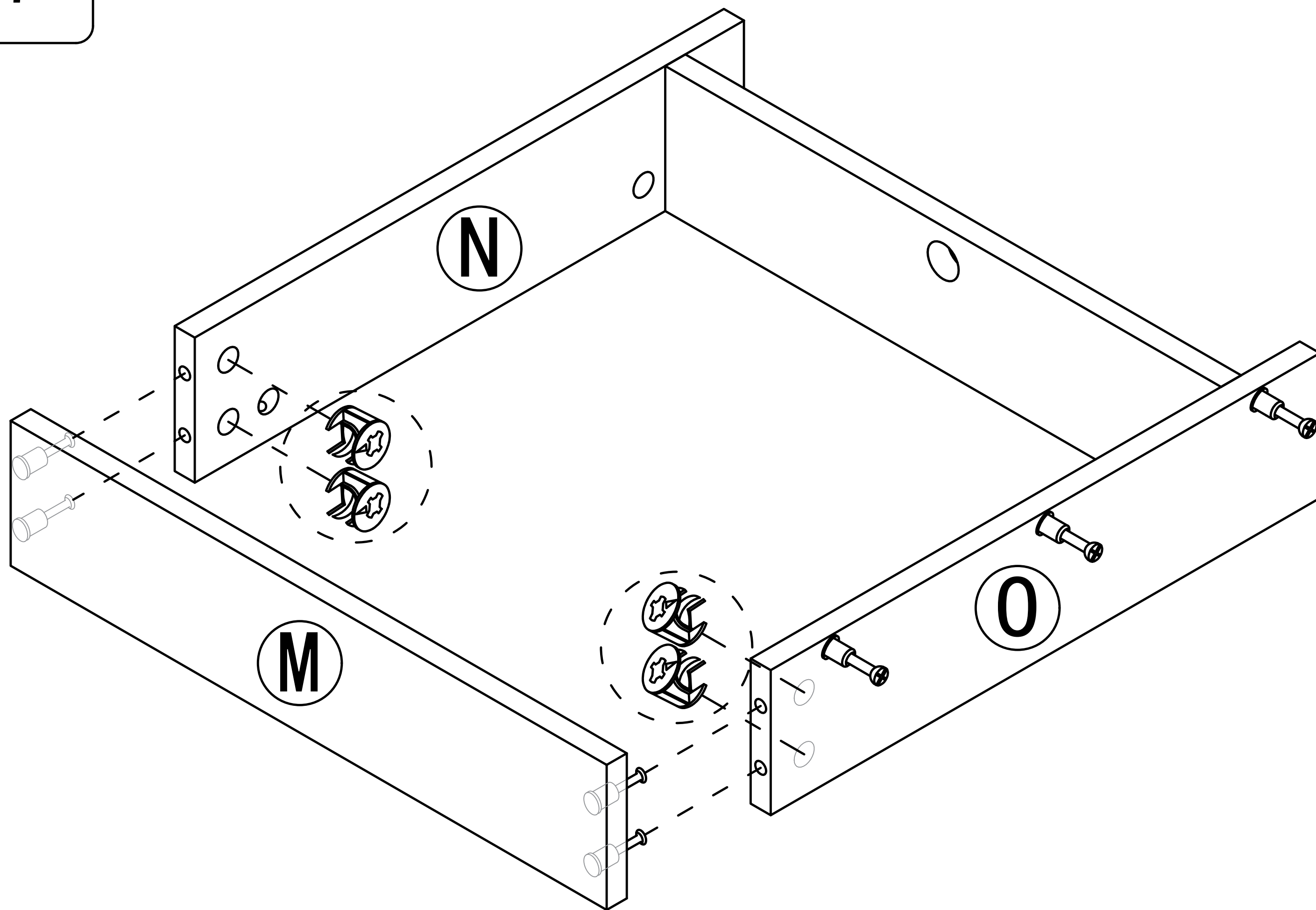
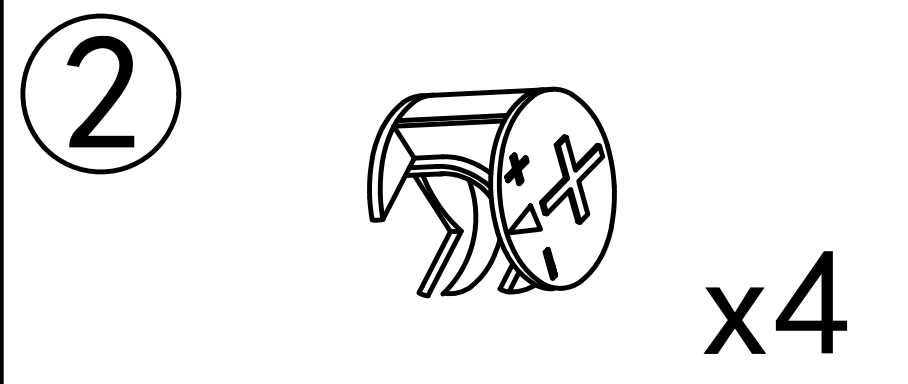
Step 25



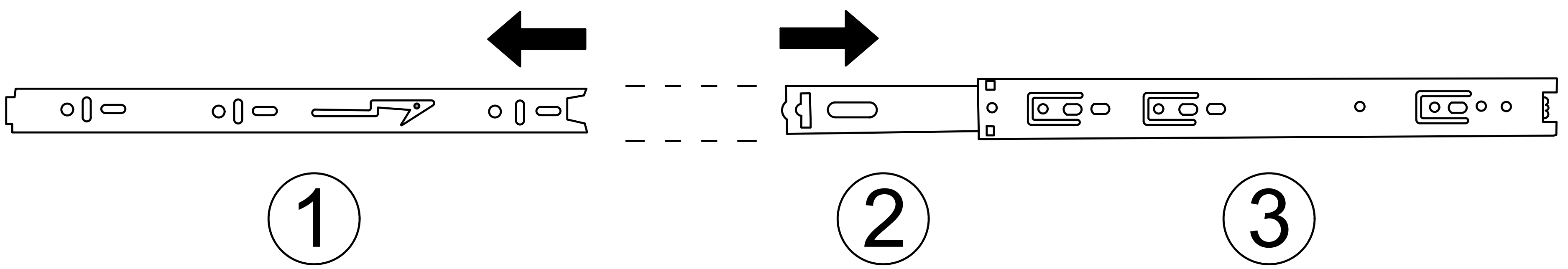
Step 26



Step 27

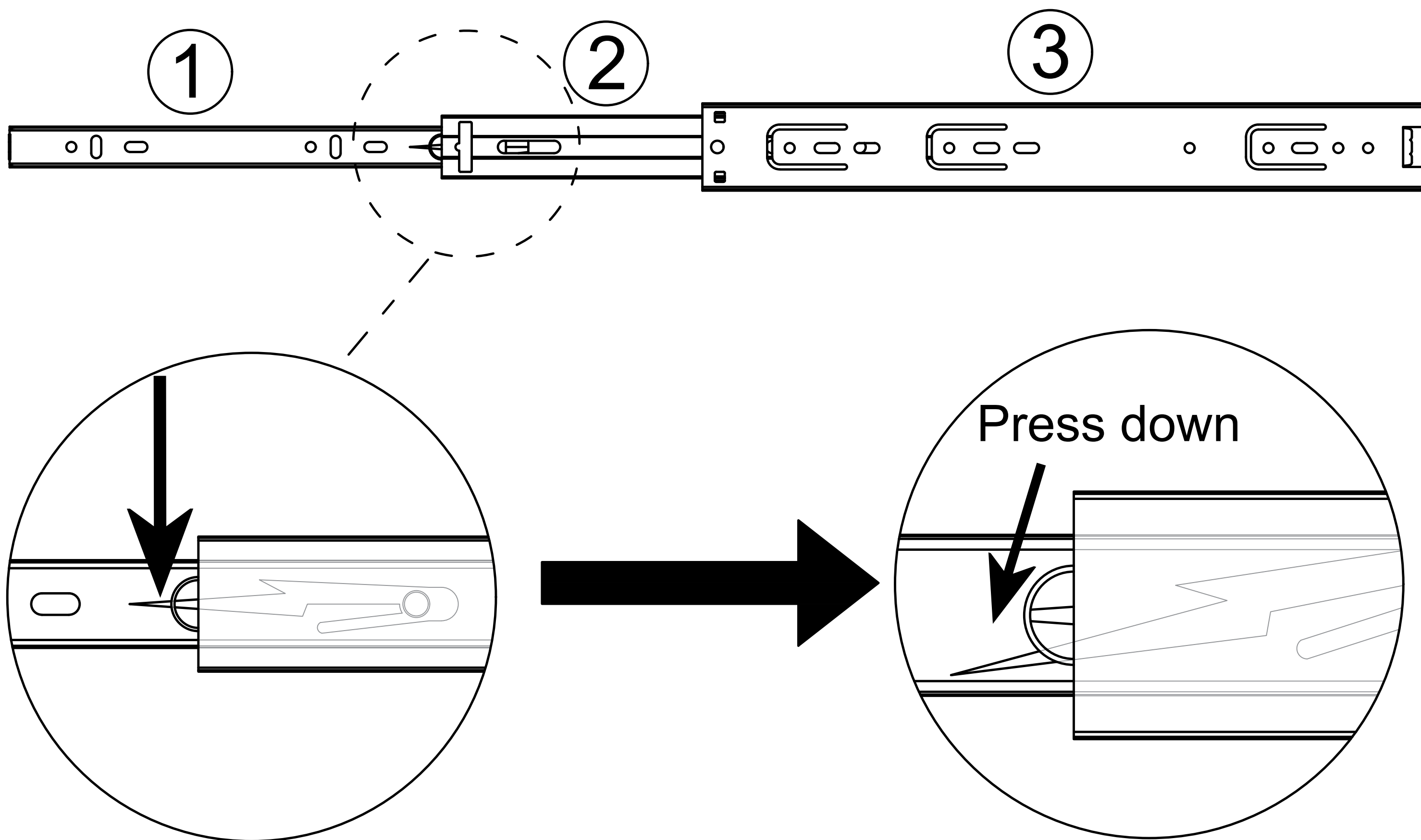


Drawer rail breakdown diagram



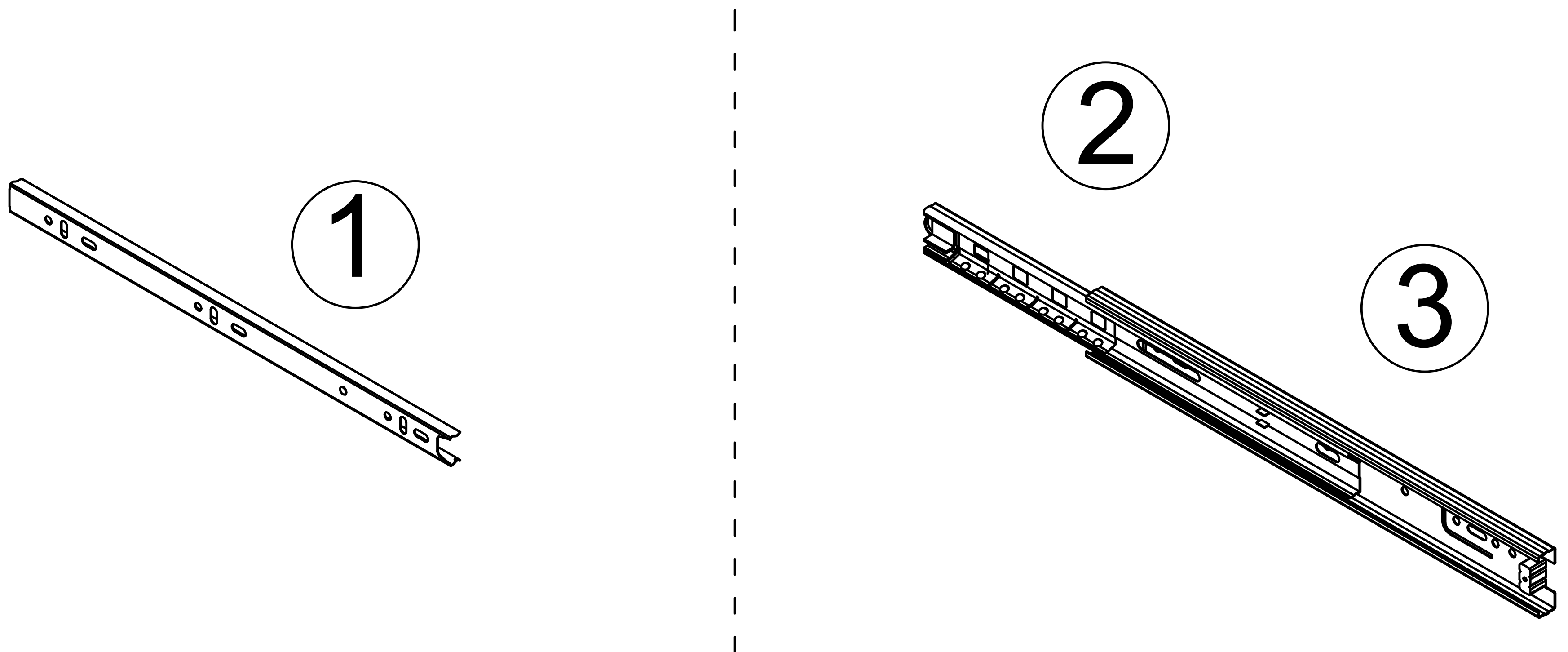
① Dismantle the schematic diagram

Step 1 : Pull the rails apart

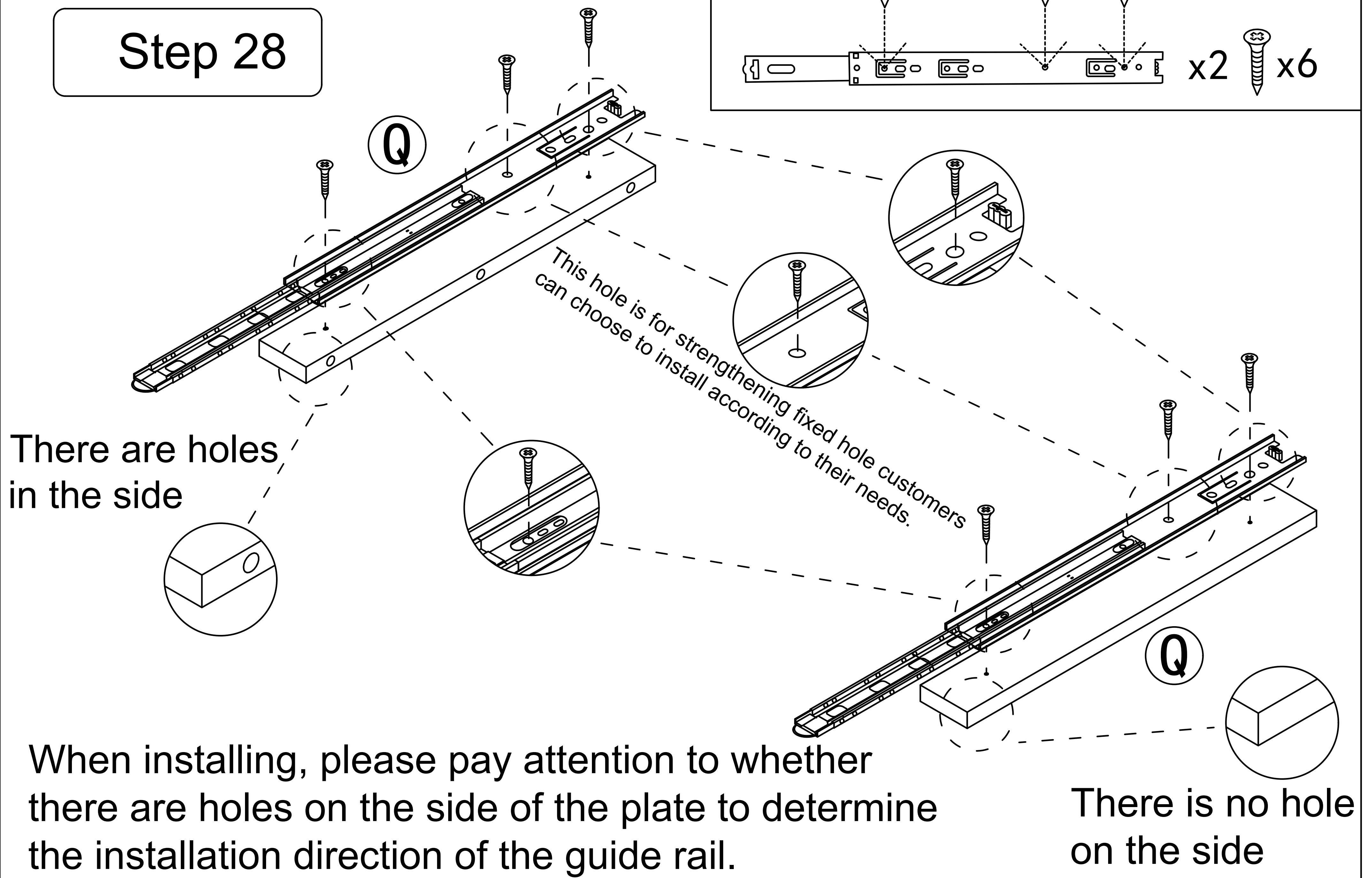


Step 2 : Press the nylon button and pull out ①.

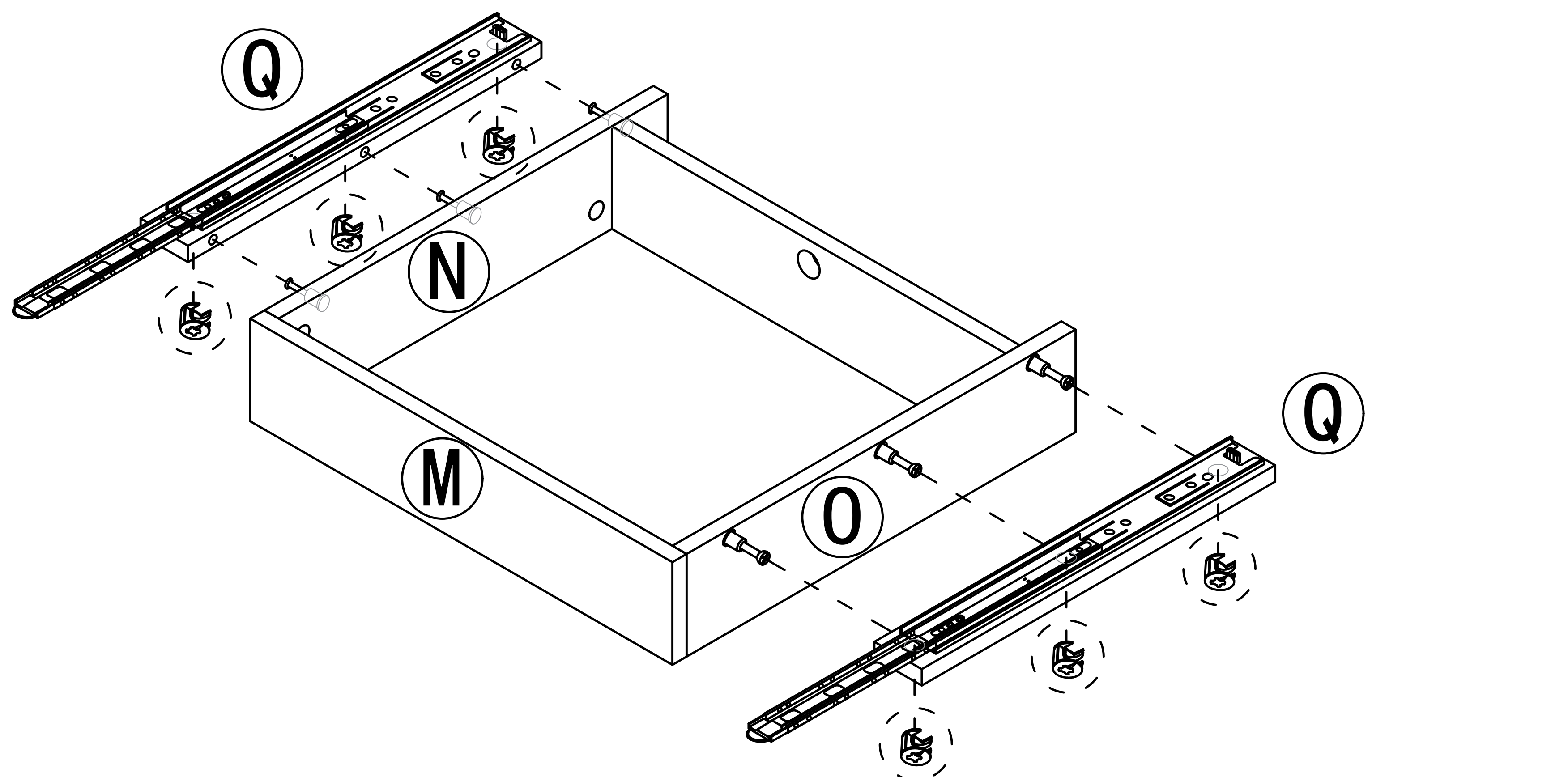
Drawer rail decomposition completed schematic diagram



Step 28

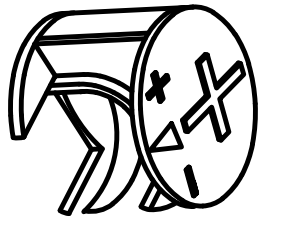


Step 29

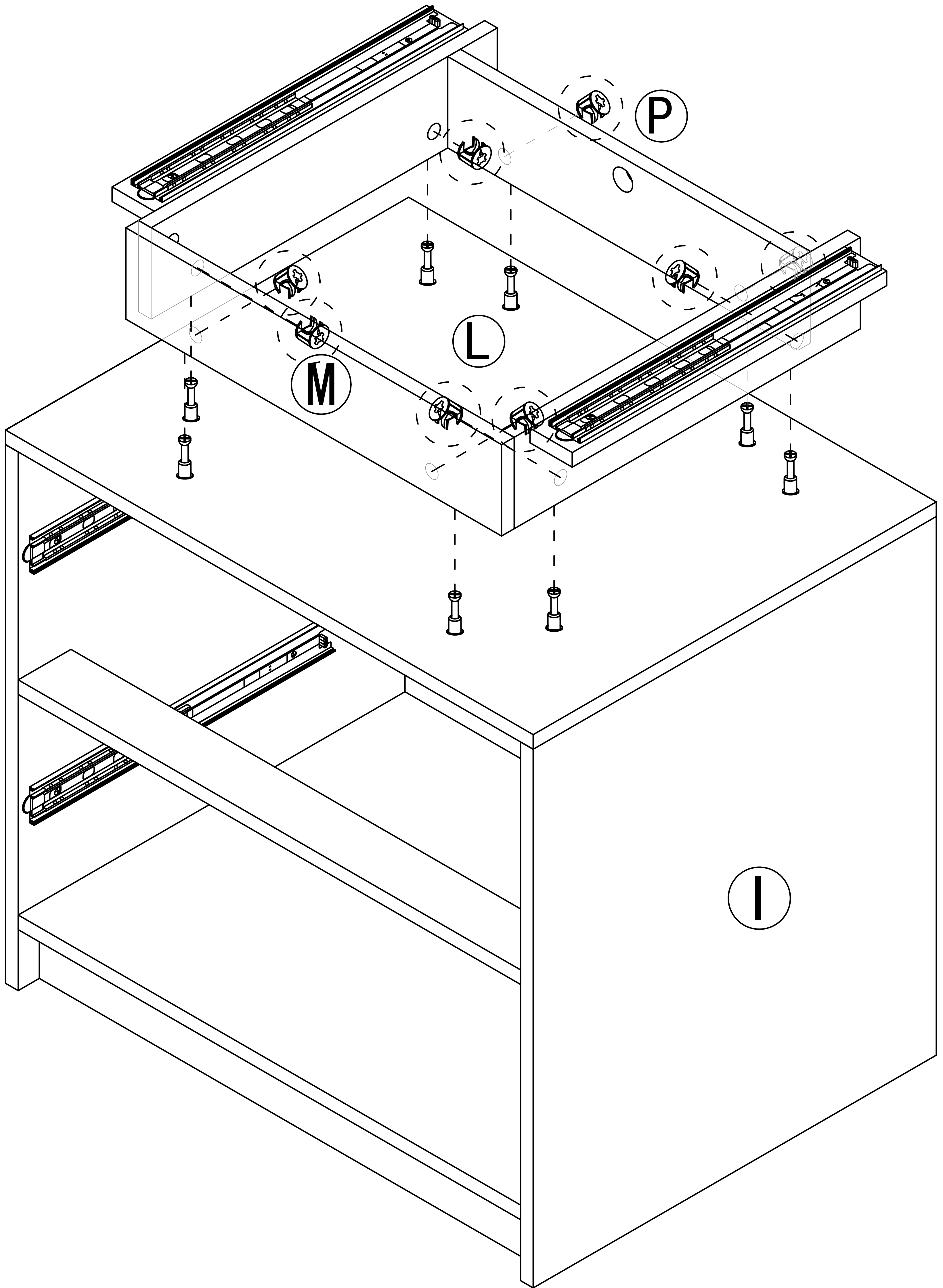


Step 30

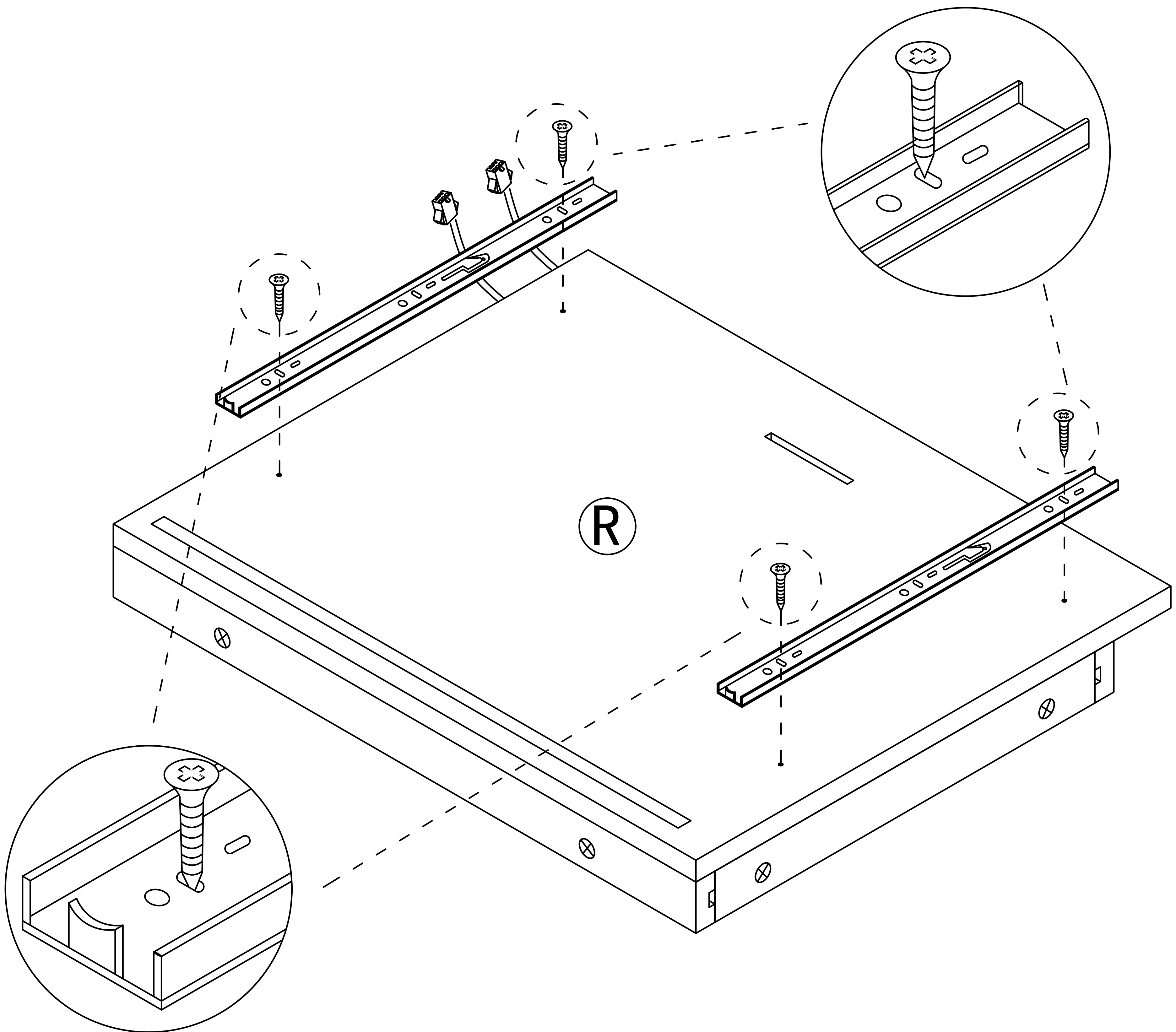
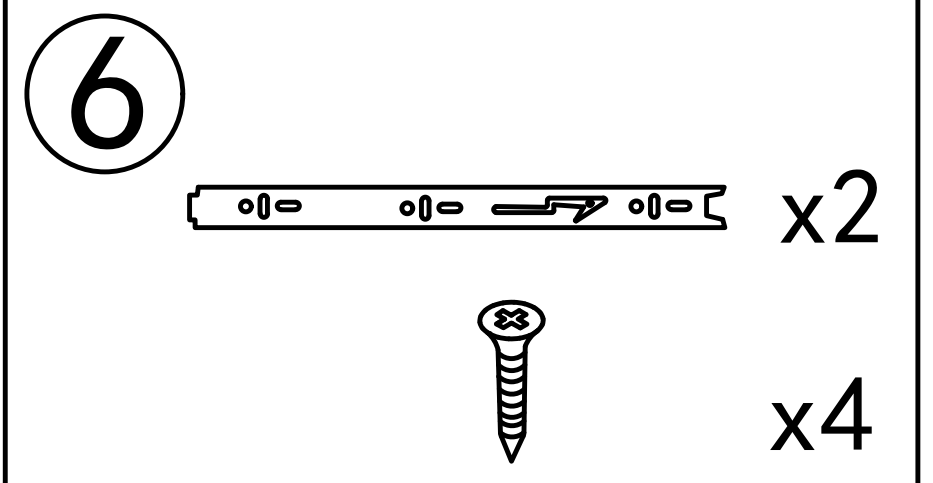
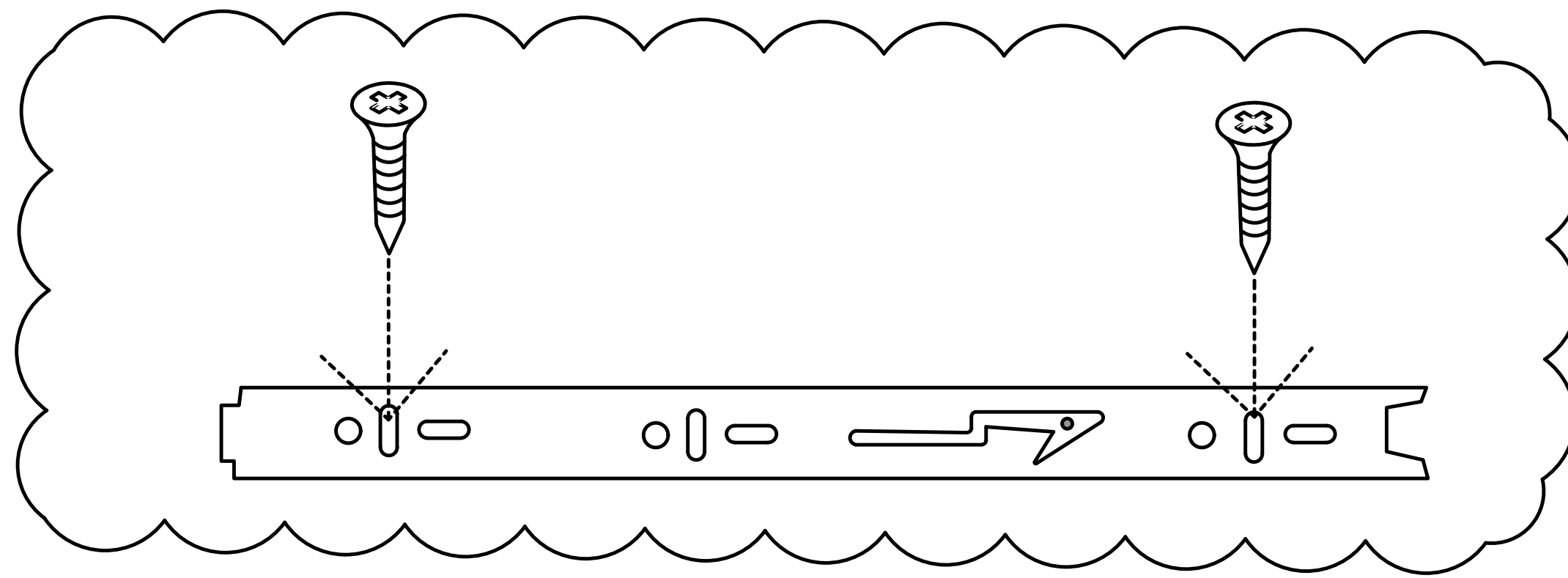
2



x8

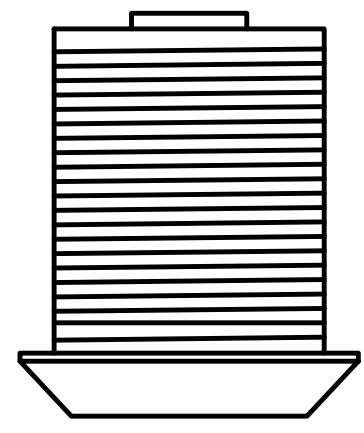


Step 31

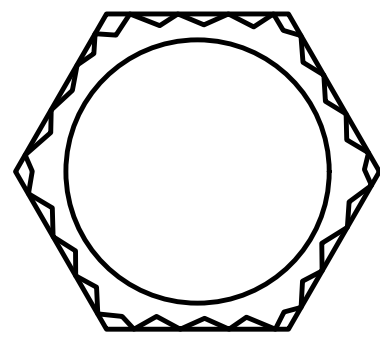


Note: The screw must be centered in the hole. If the screw is positioned near the edge of the hole, the panel will not install correctly.

The decomposition of the lock



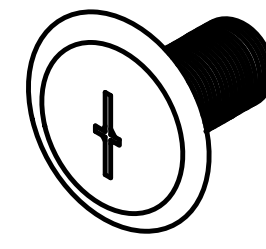
①



②



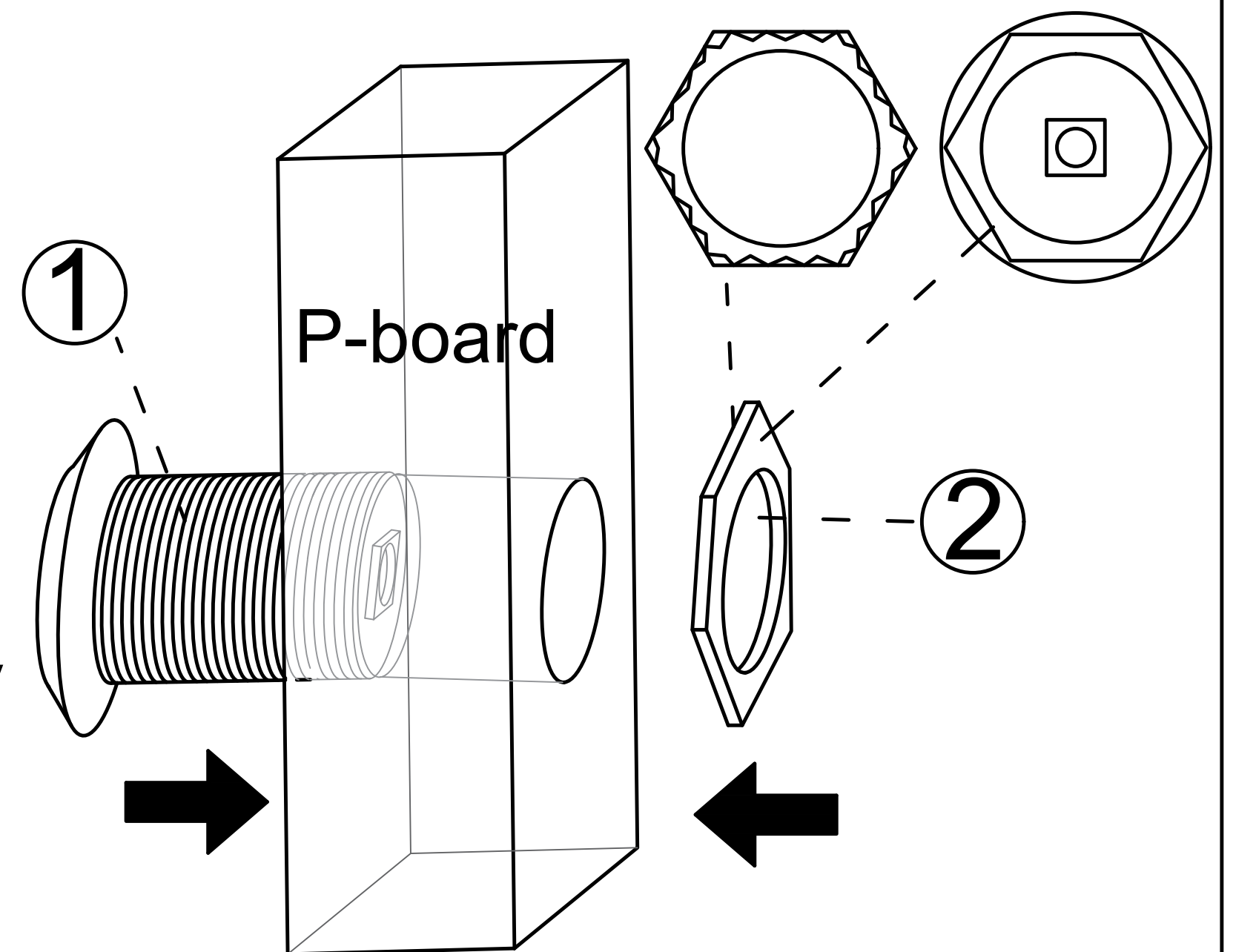
③



④

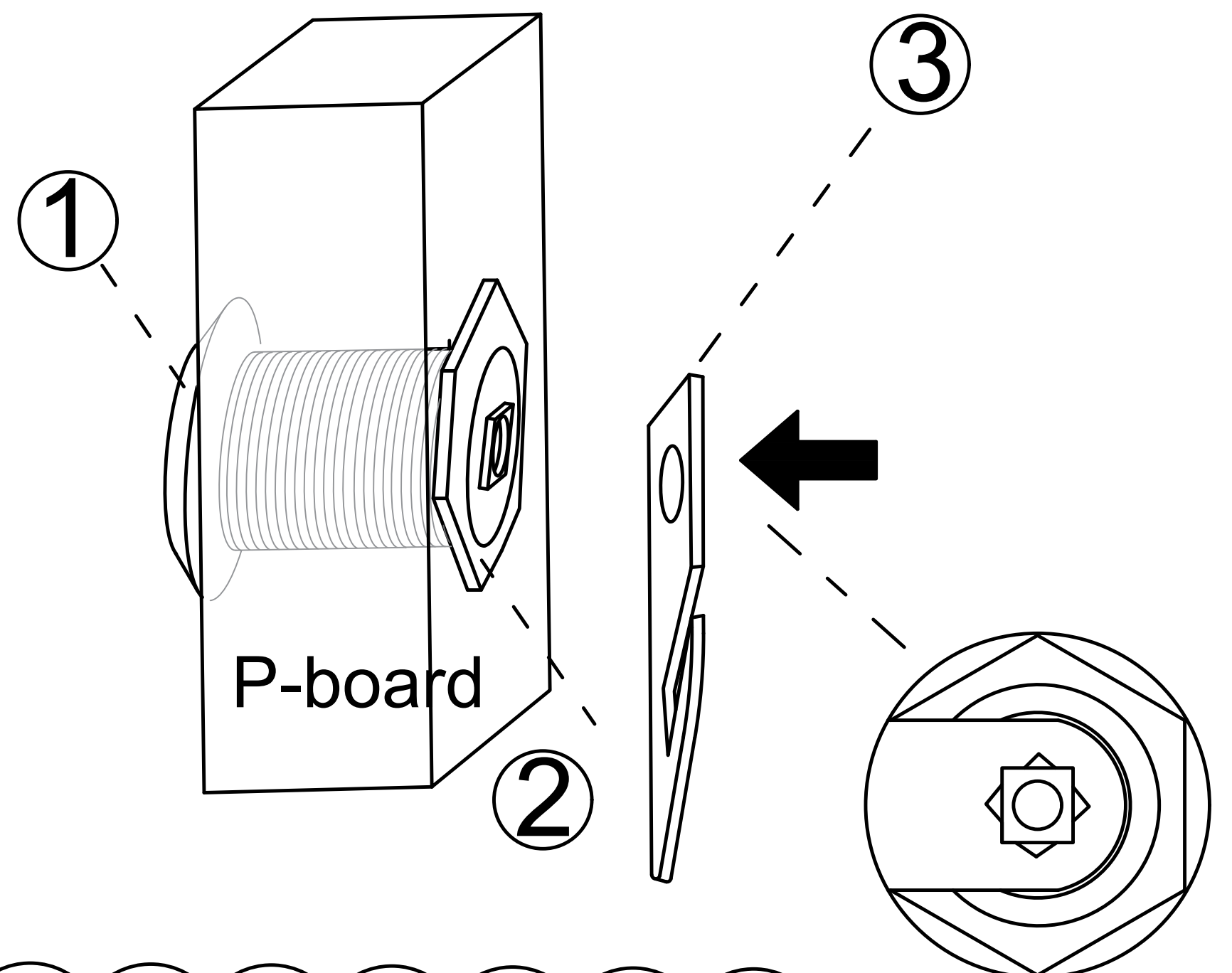
Step 1

1. Facing the direction of the keyhole position with the teeth, clamp the wooden board tightly
2. Insert part 1 into the hole of the P plate first, and then lock the hex nut

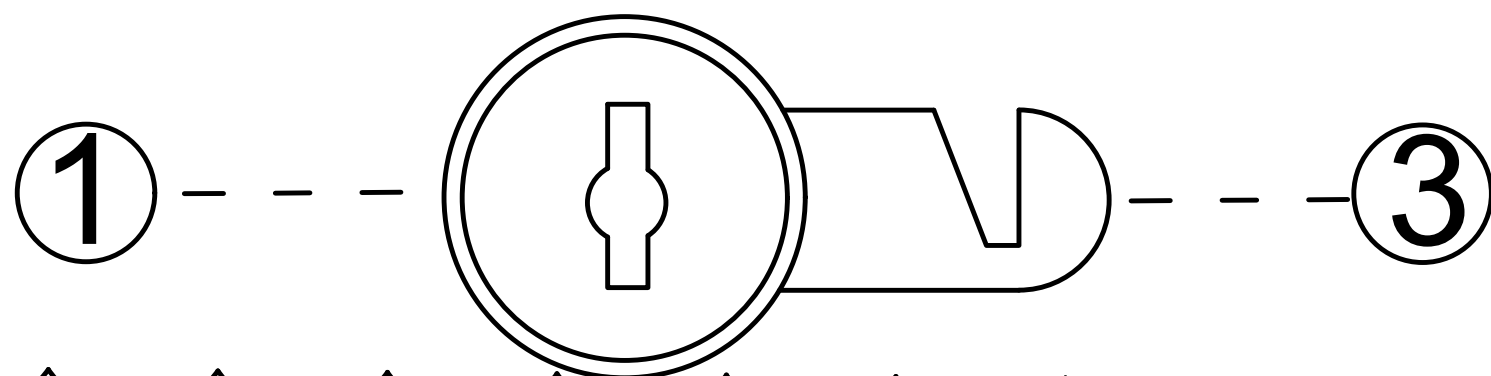


Step 2

1. Clip part 3 into the tail of part 1

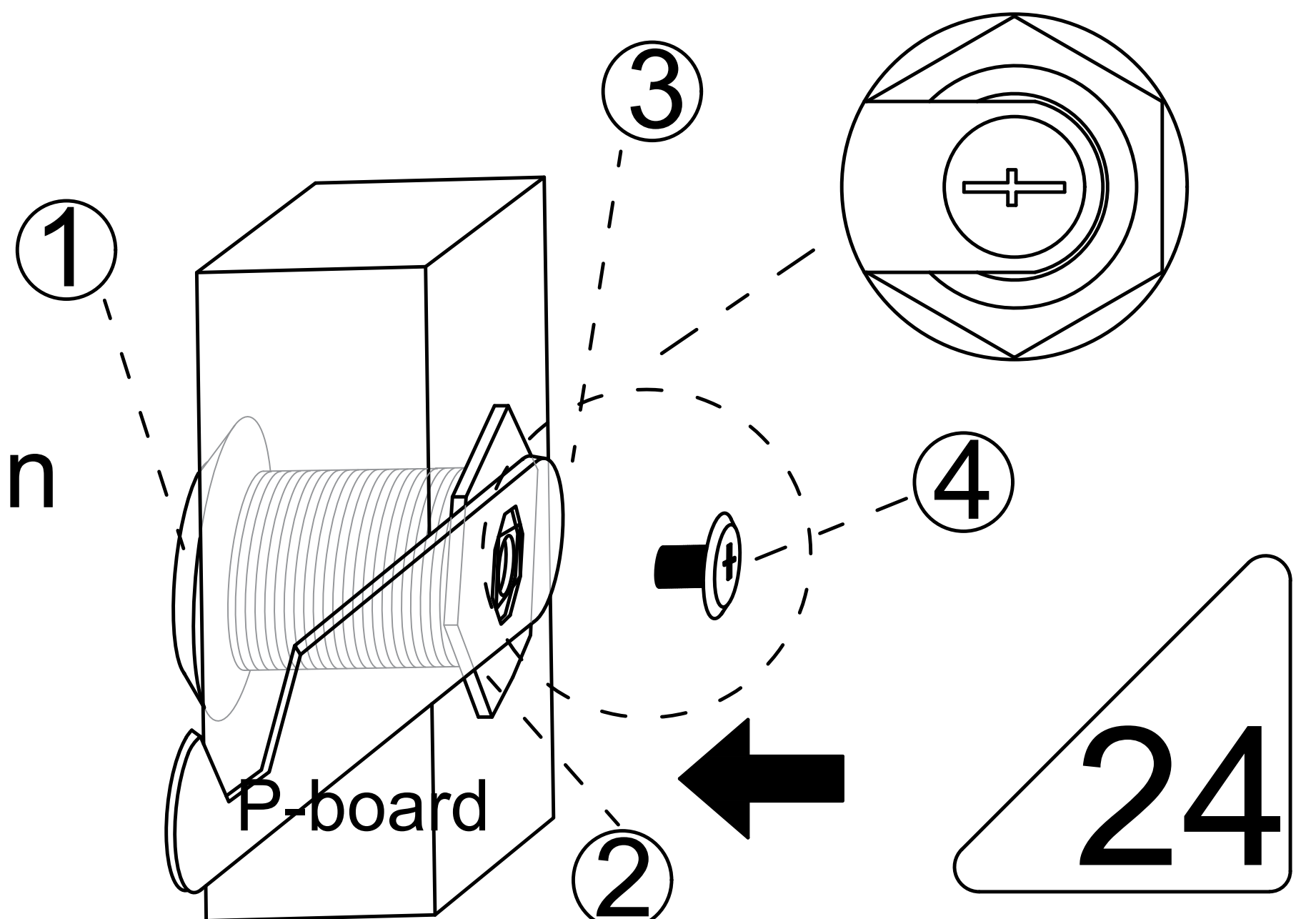


The installation is completed as shown in the figure

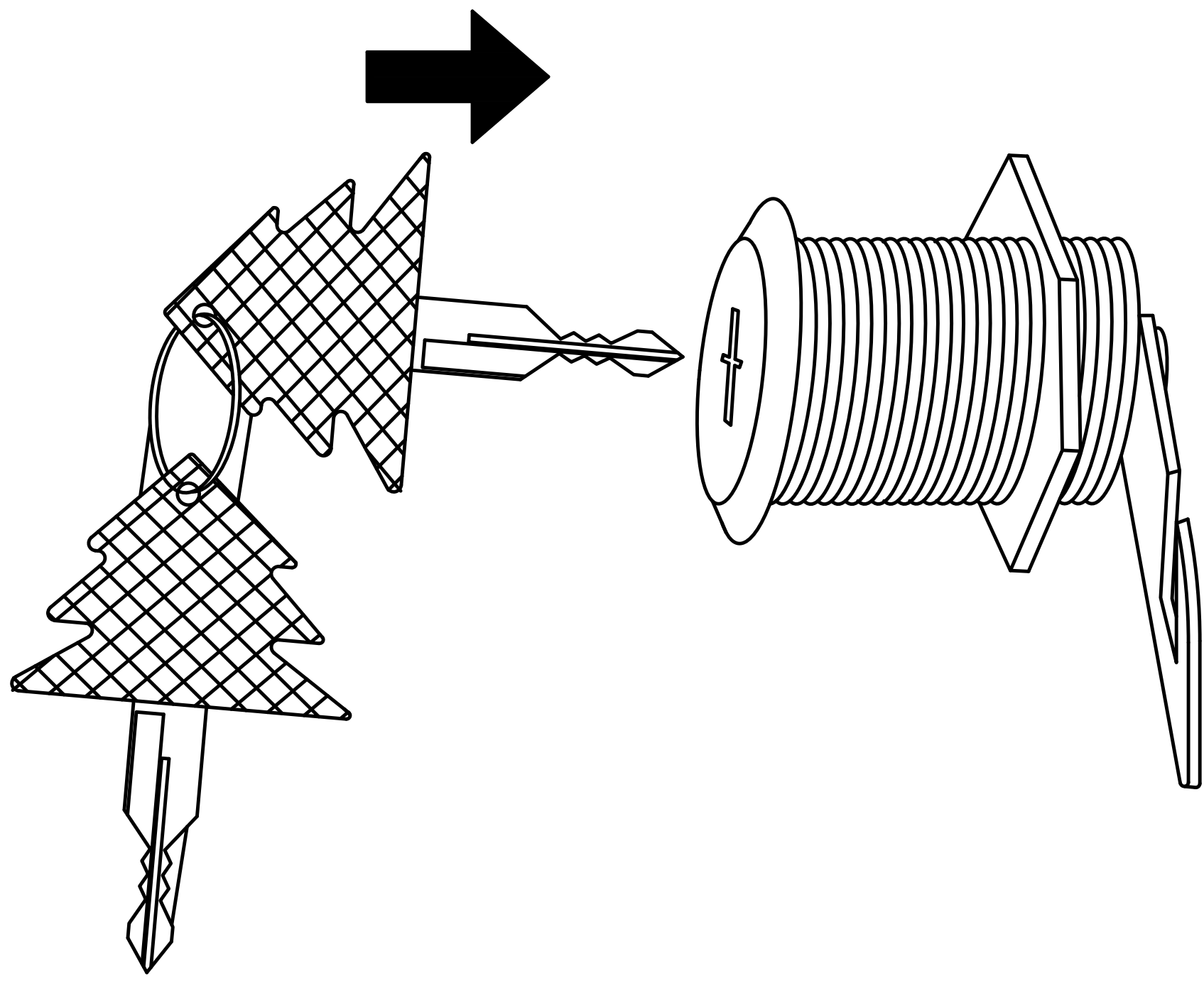


Step 3

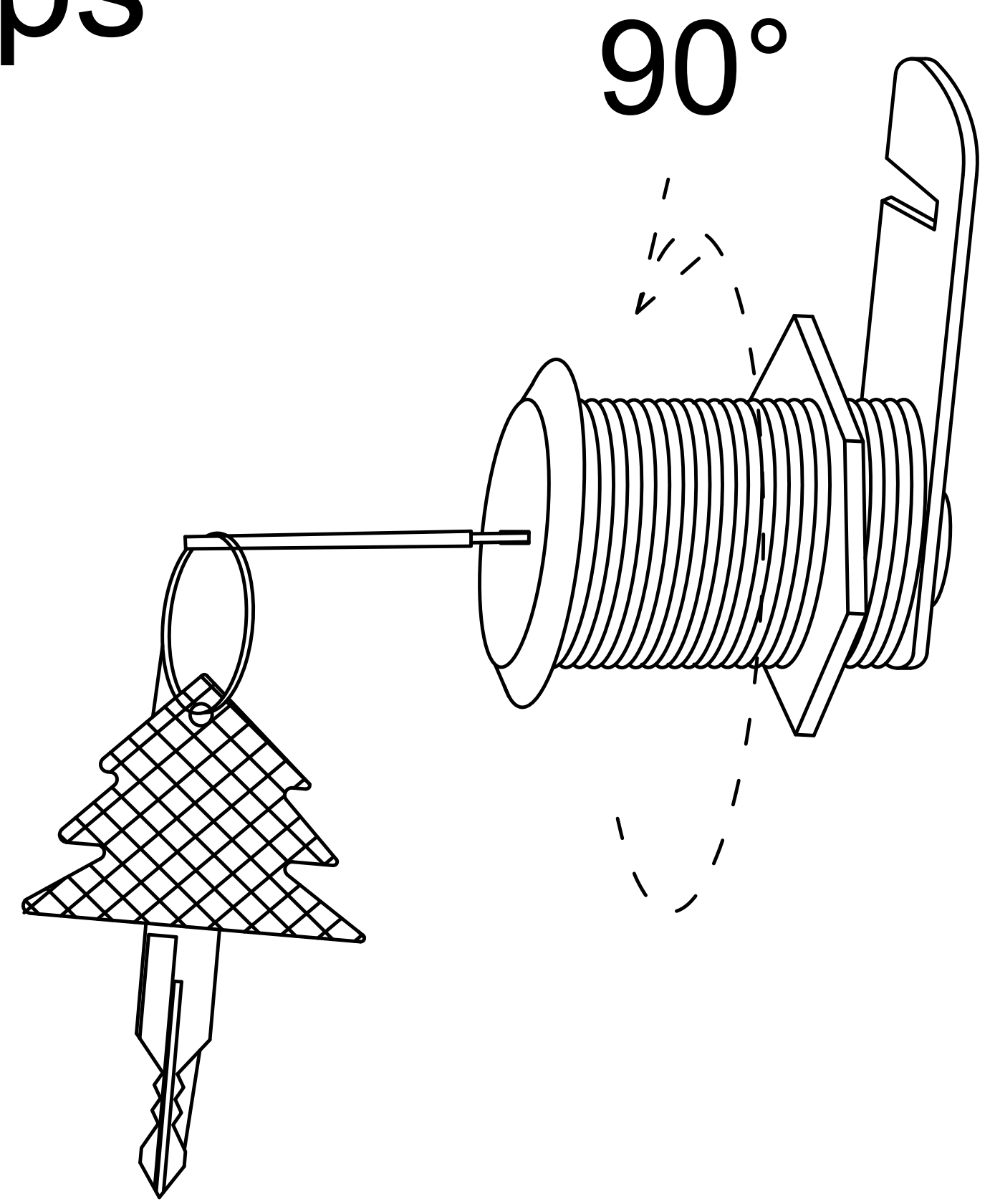
1. Twist screw 4 into the hole position at the tail of 1



Lock steps

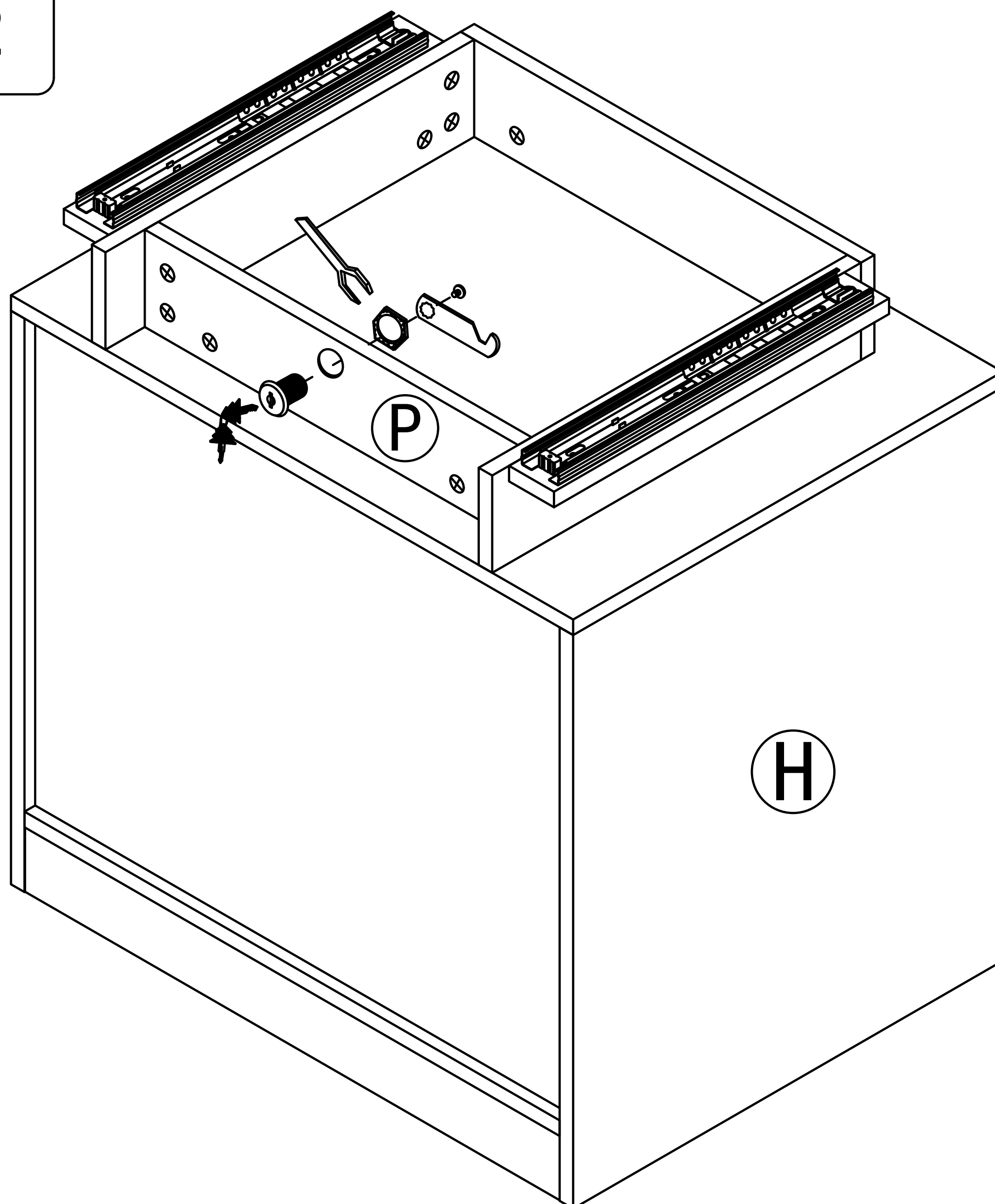


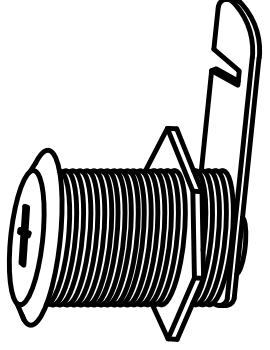
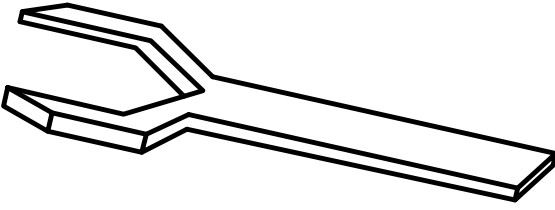

Unlock



lock

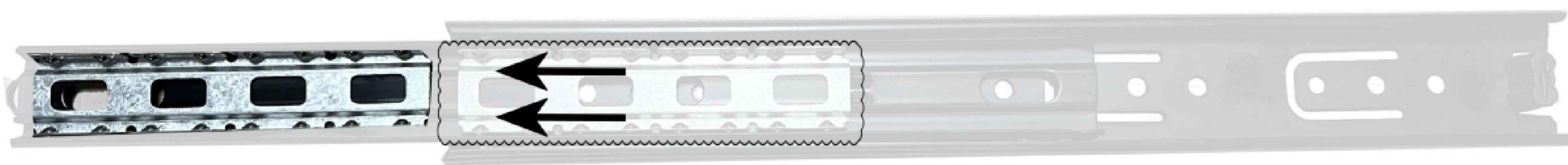
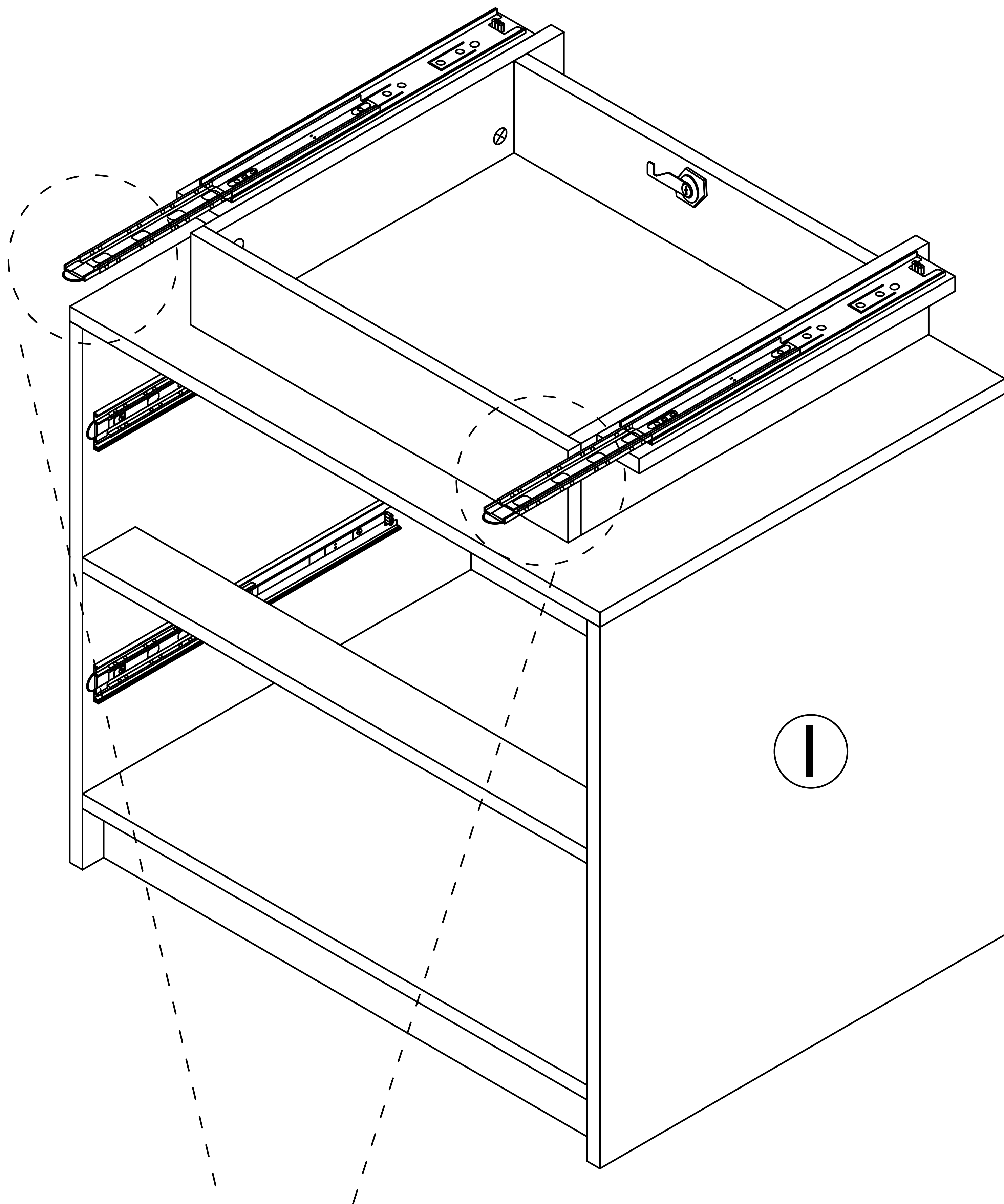
Step 32



- ⑦  x1
-  x1
-  x1

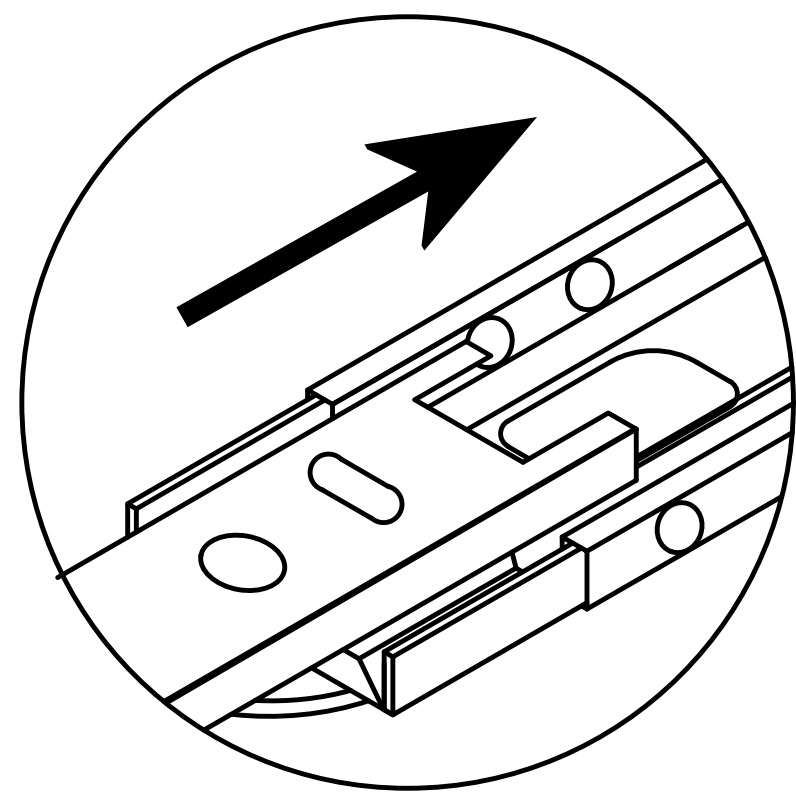
Lock the hex nut with a wrench

Step 33

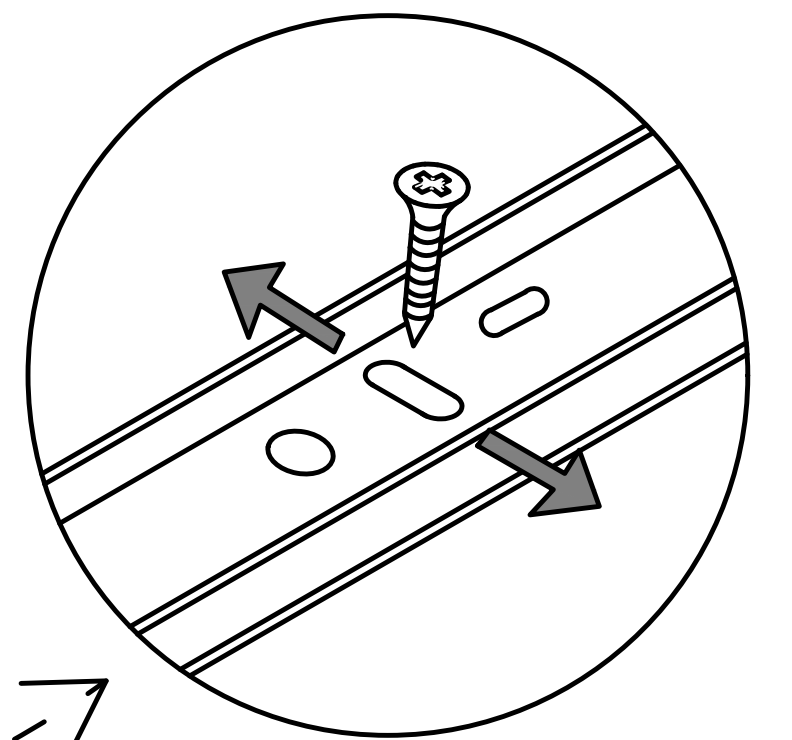
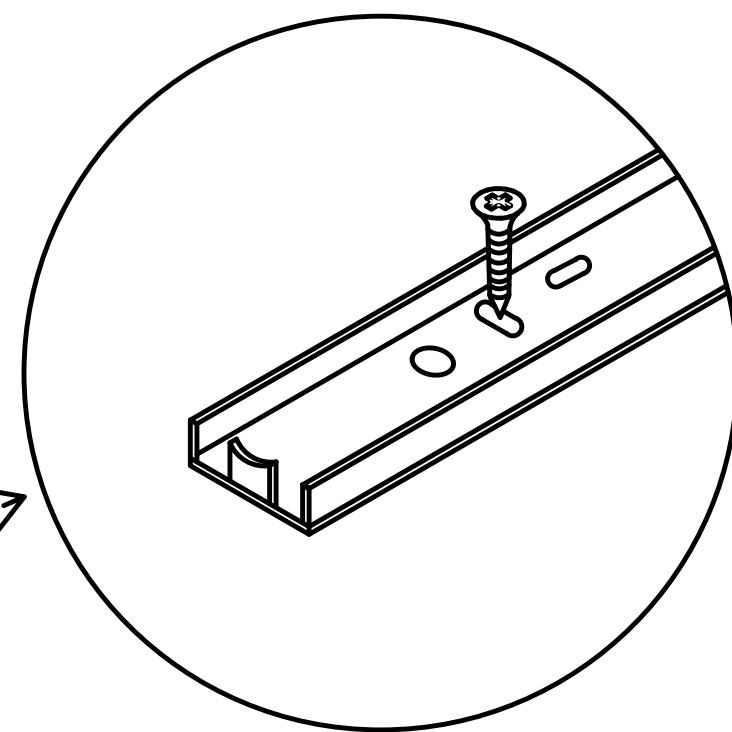
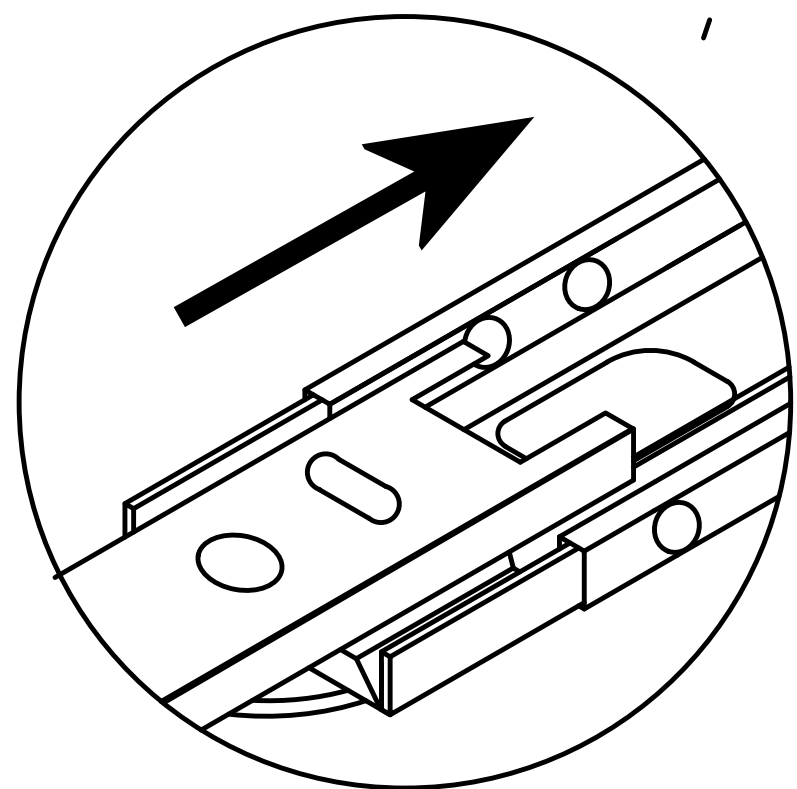
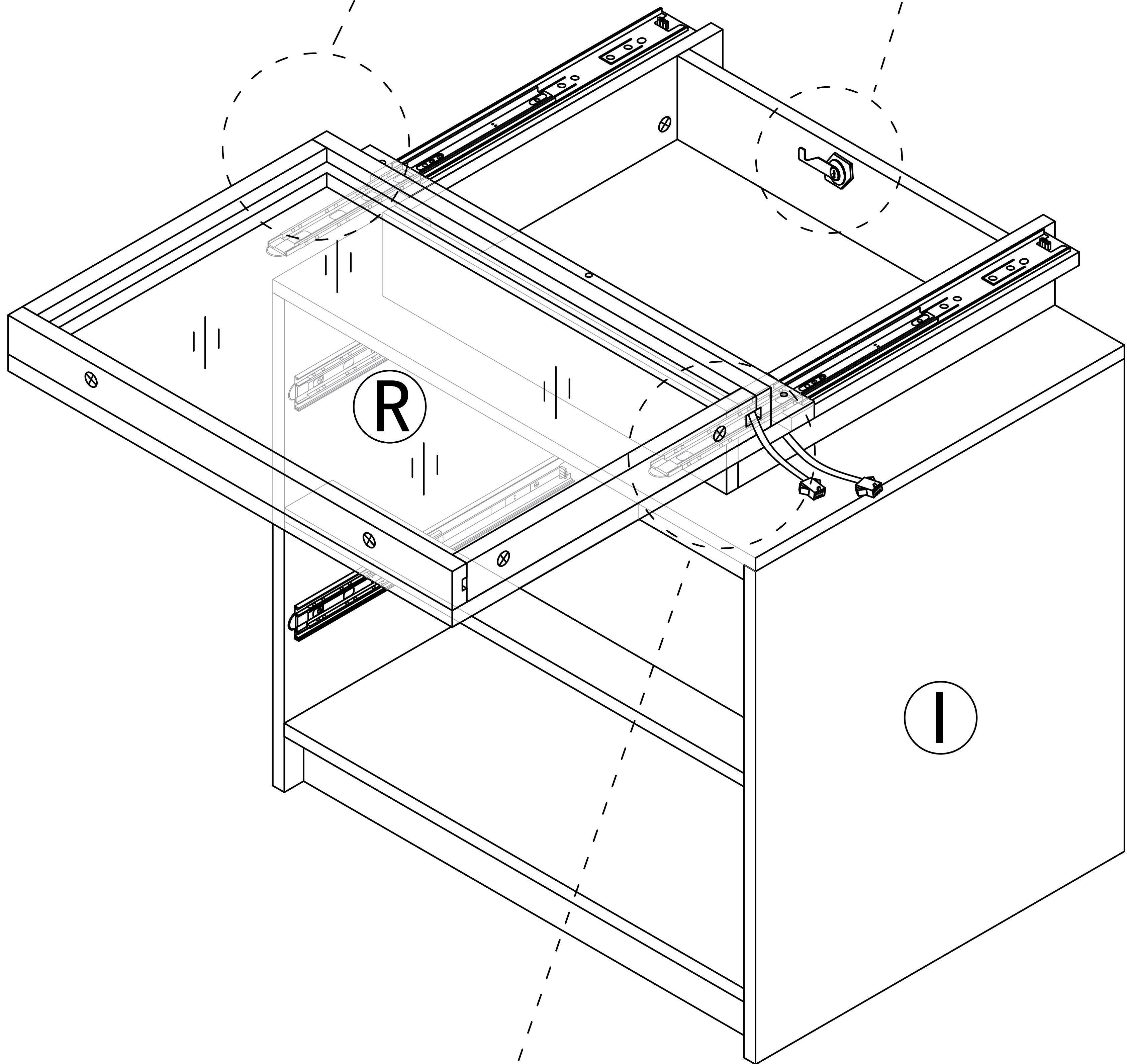


As shown, When installing the drawer, pull the guide rail out first, Slide beads are also pulled out.

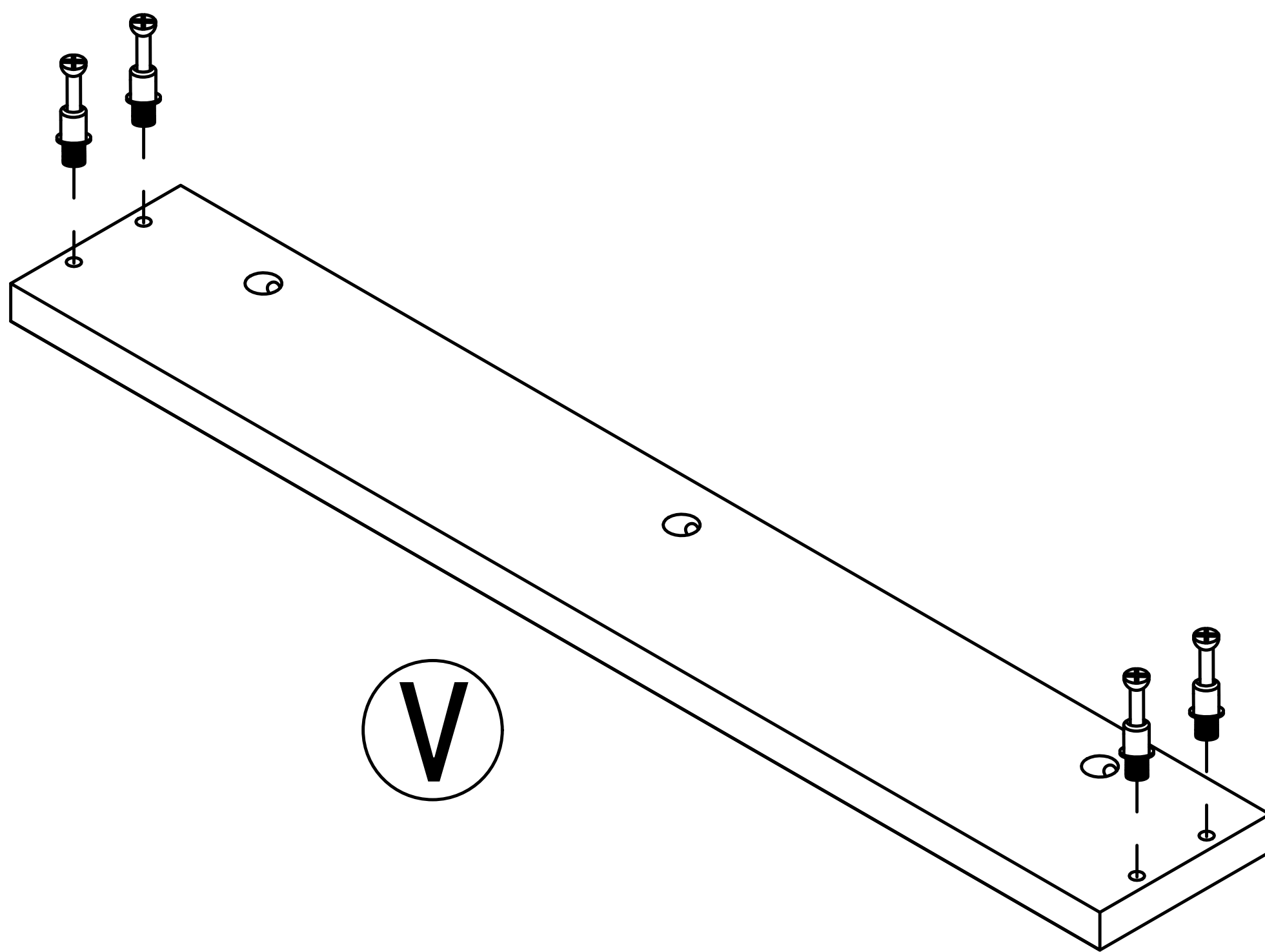
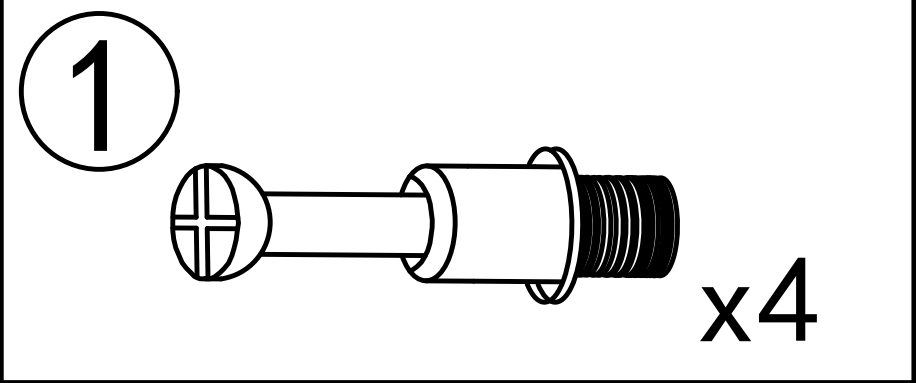
Step 34



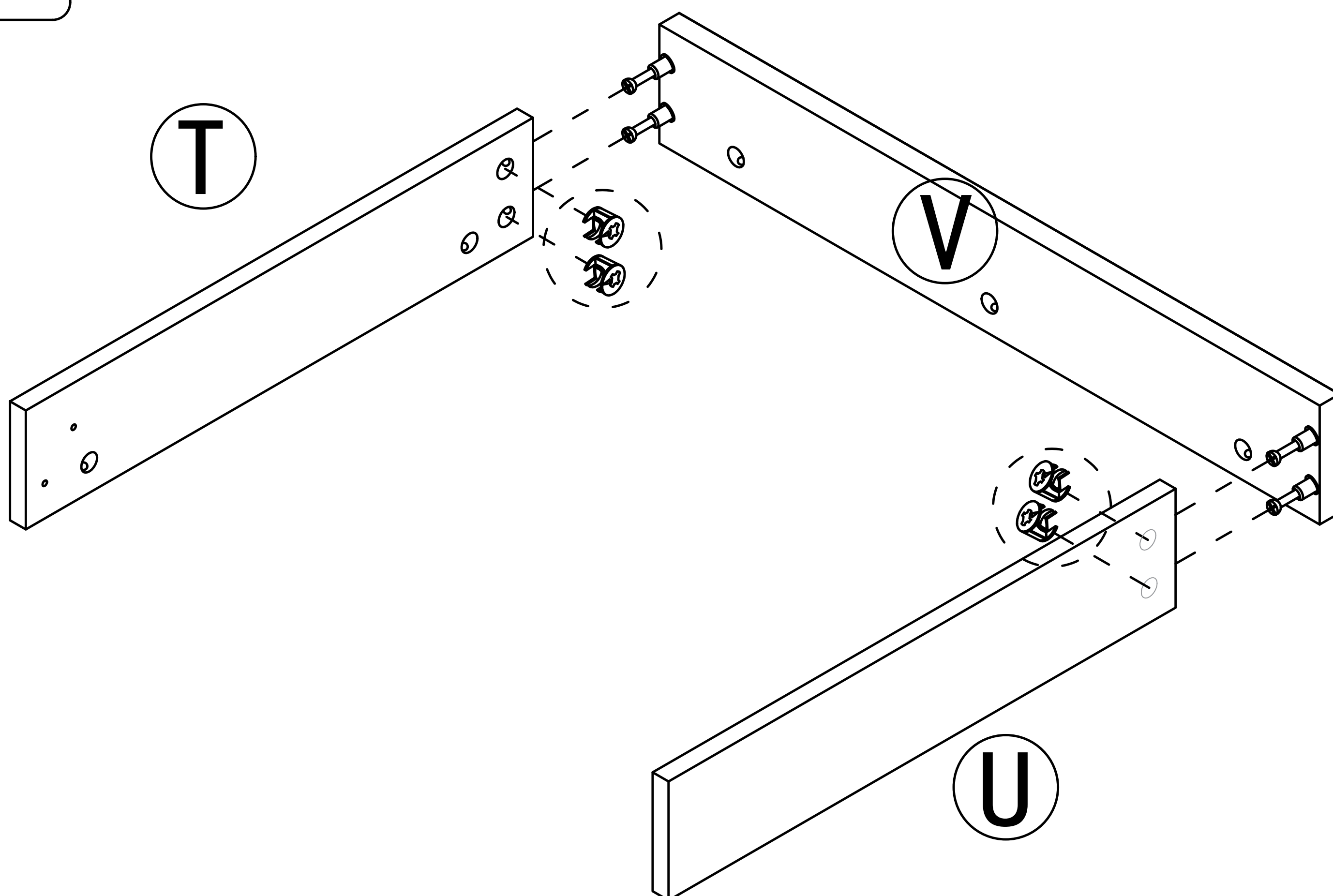
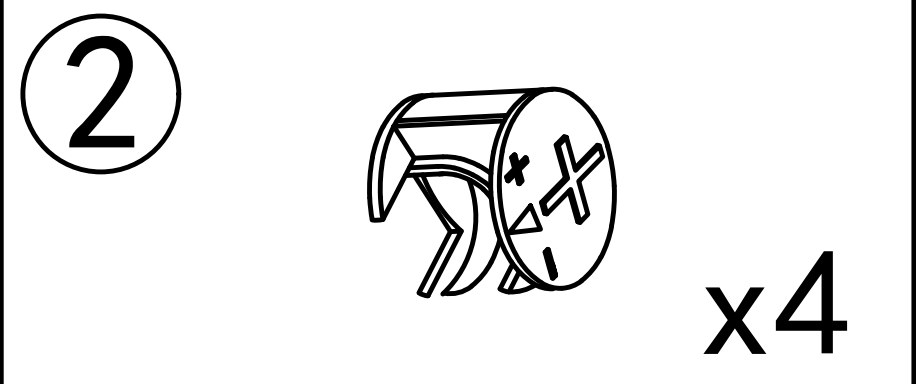
Unlock the lock with the key, and then install the R board as shown in the figure.



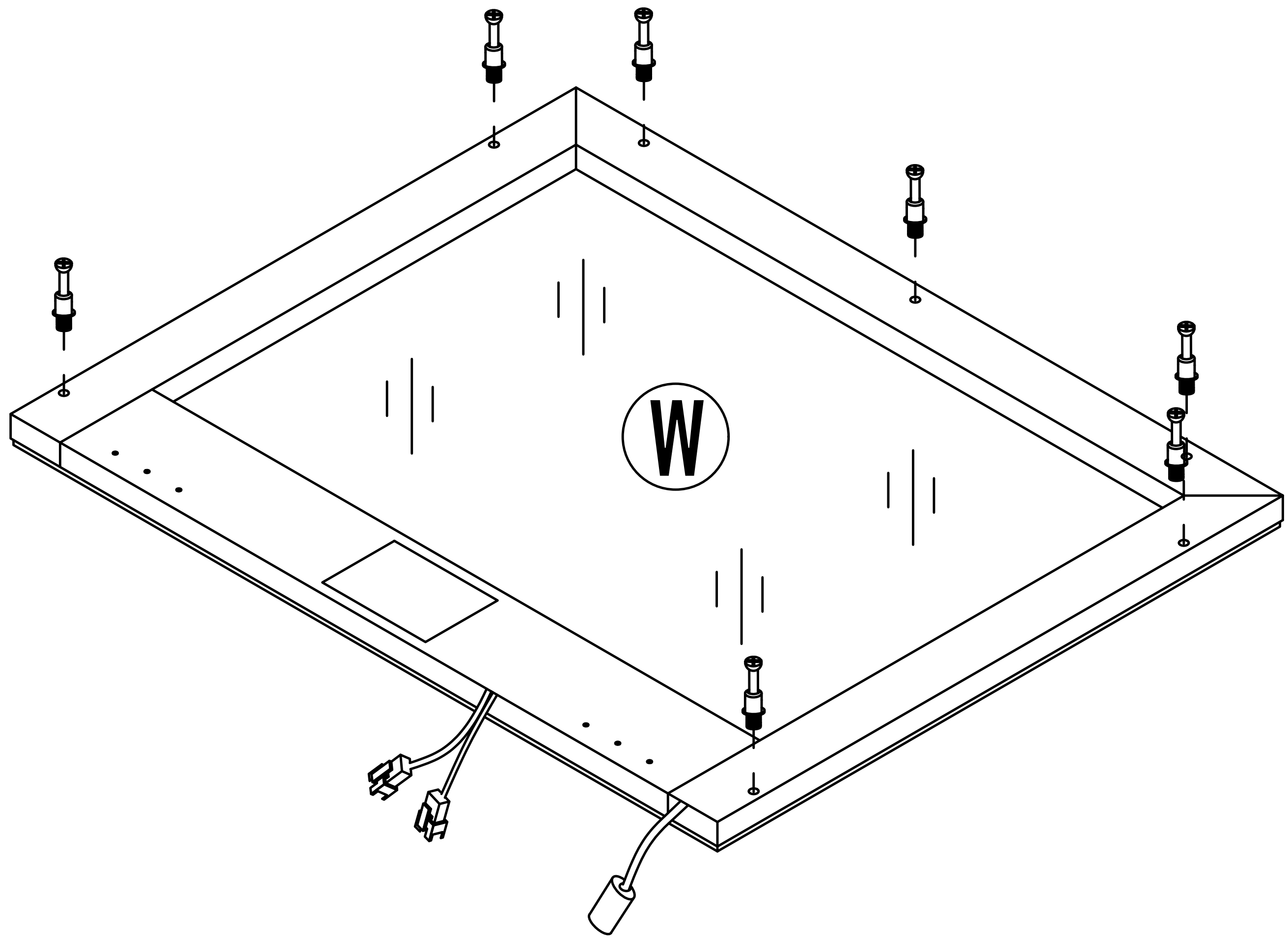
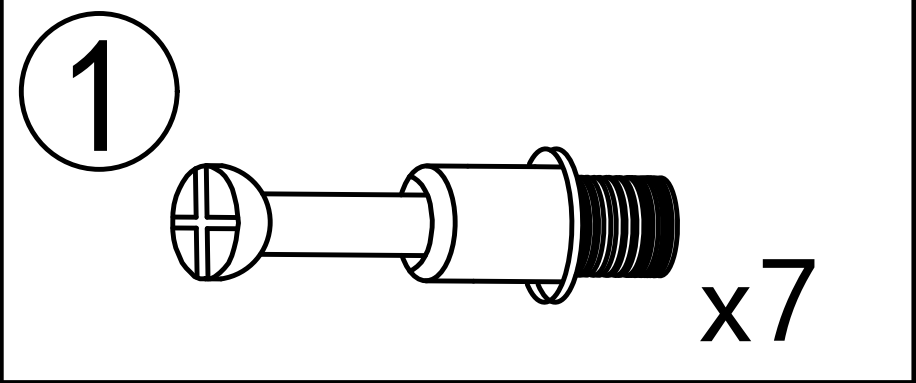
Step 35



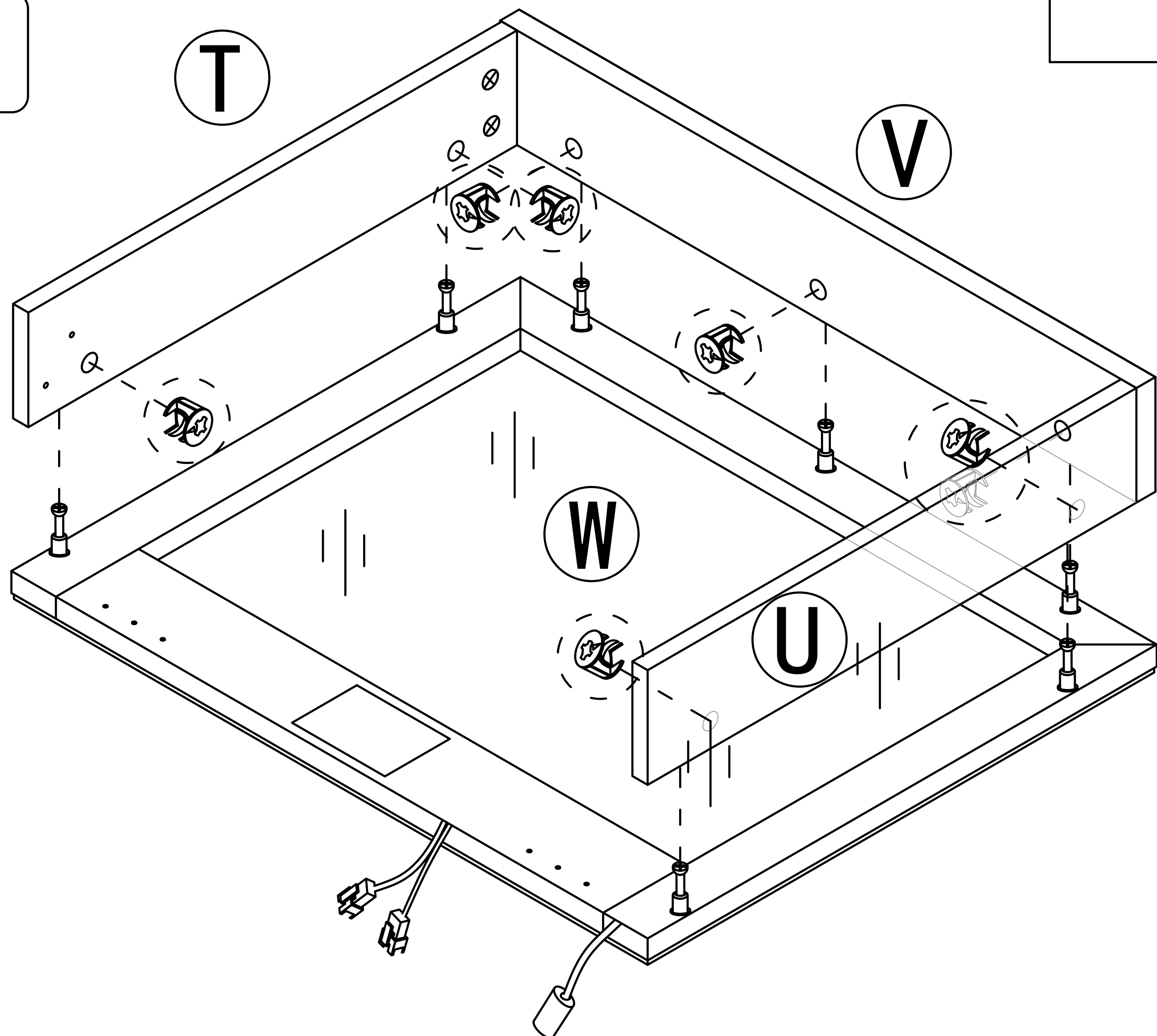
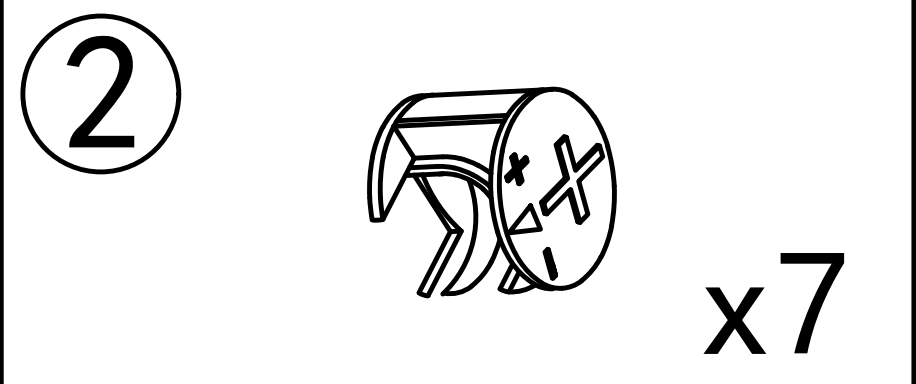
Step 36



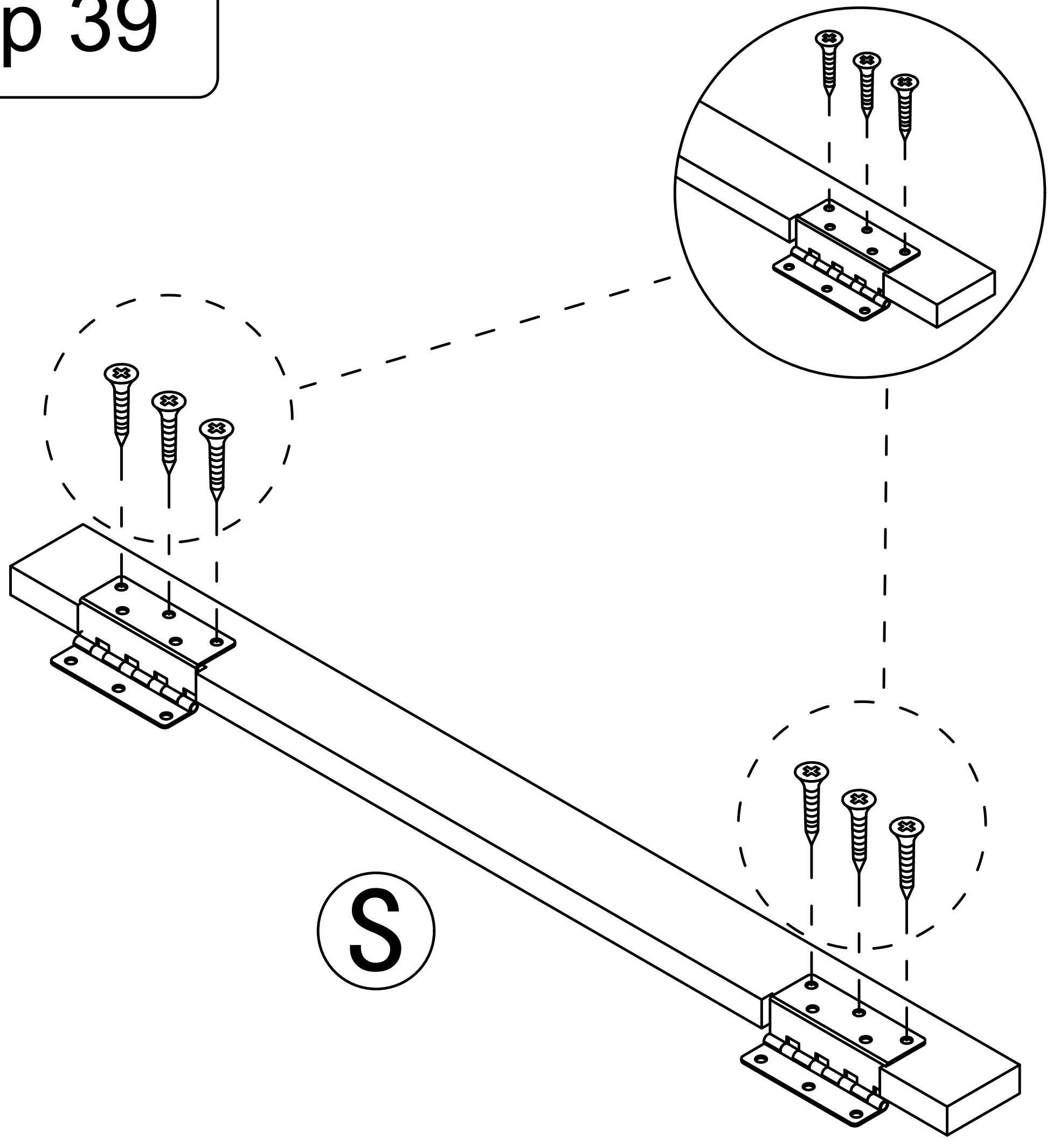
Step 37



Step 38

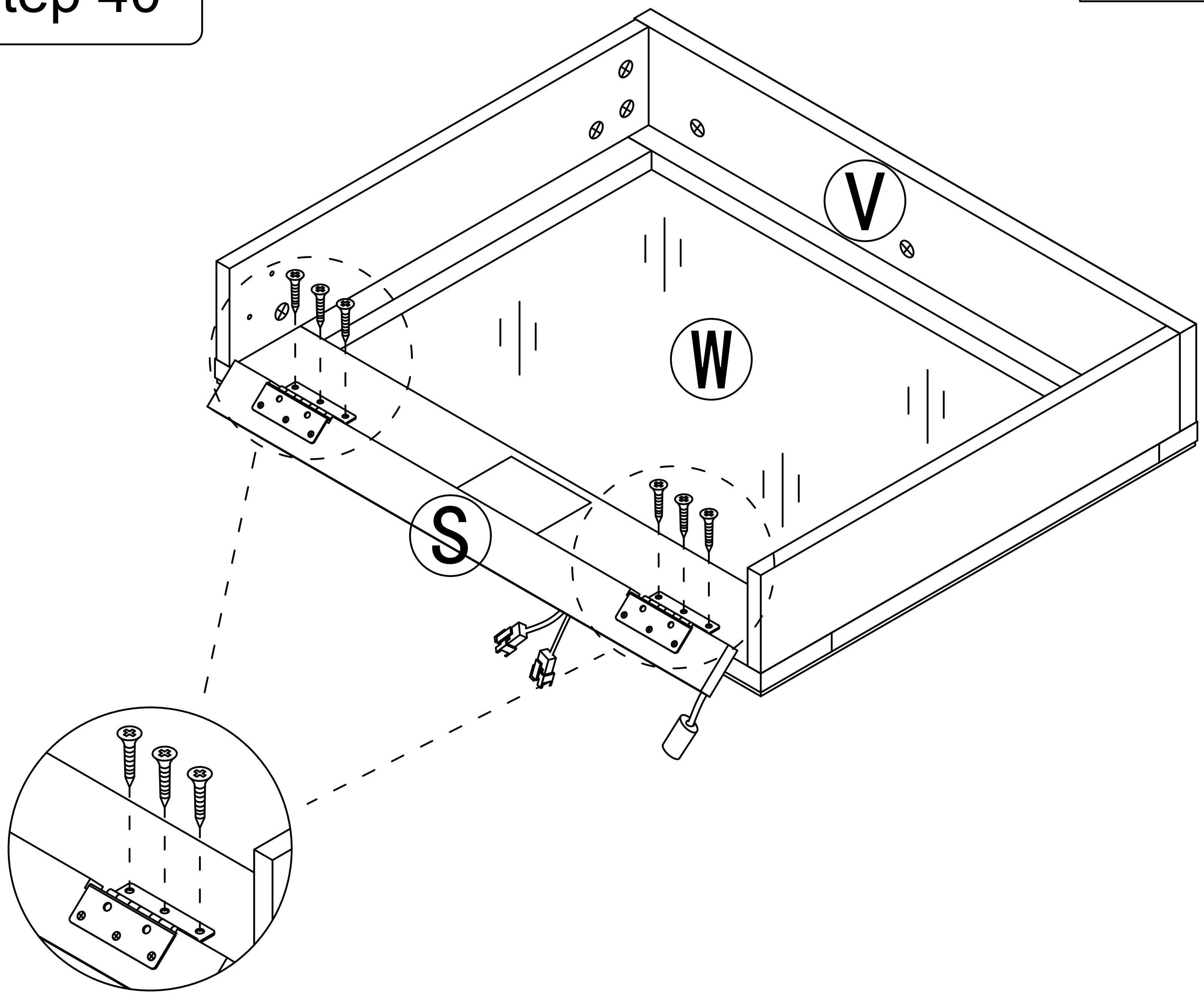


Step 39



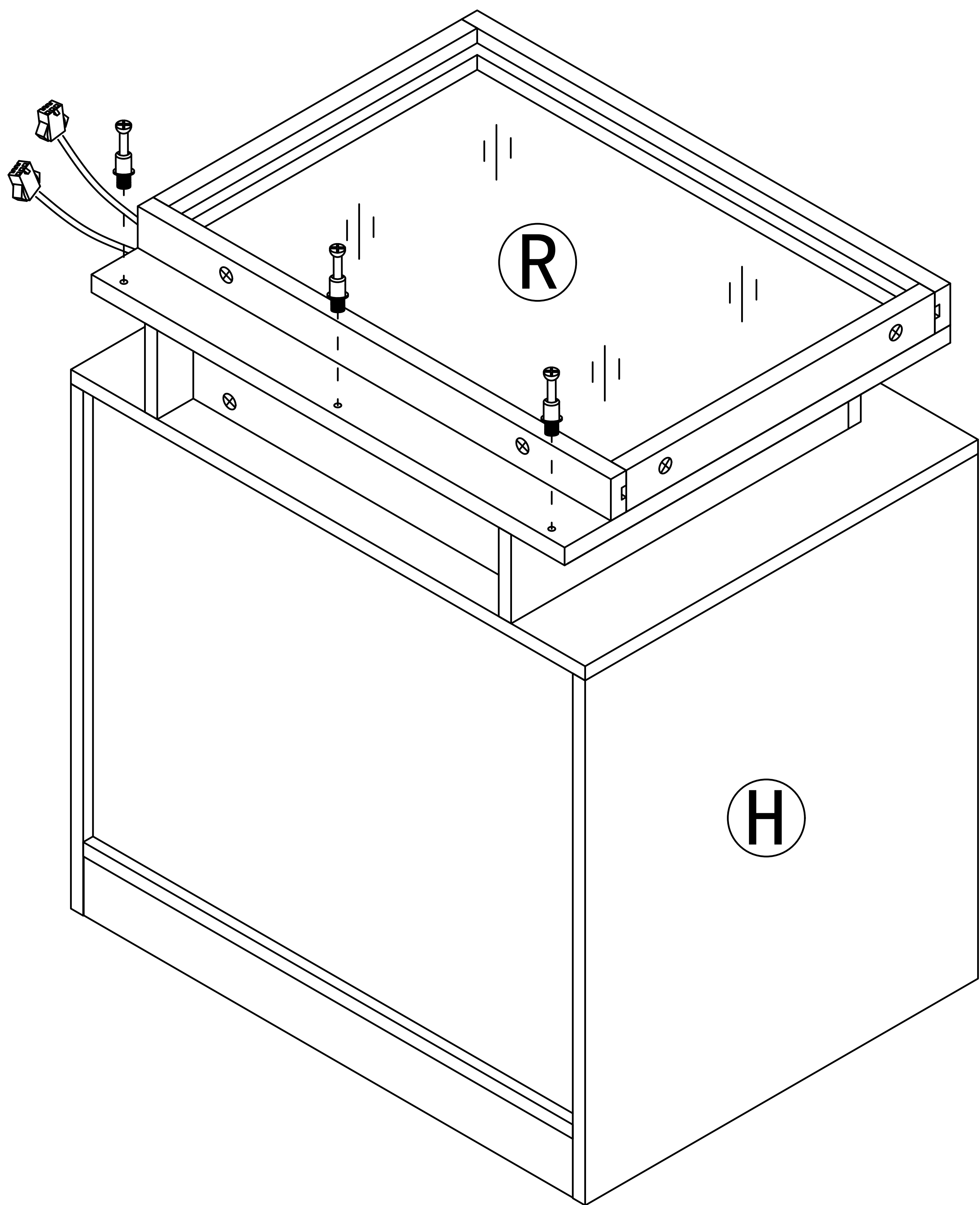
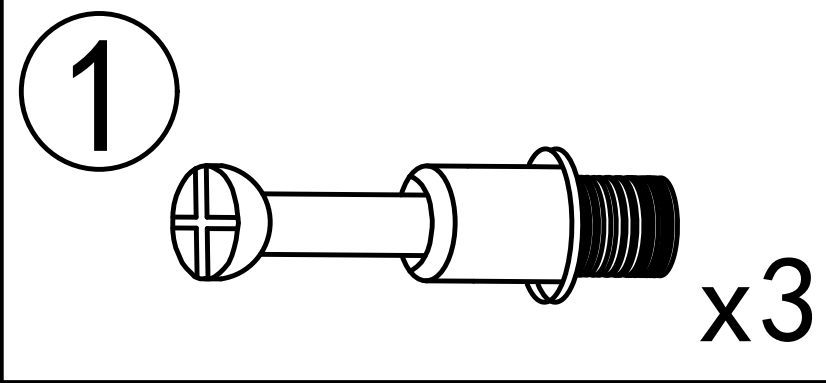
- 8 Hinge x2
- 8 Screw x6

Step 40



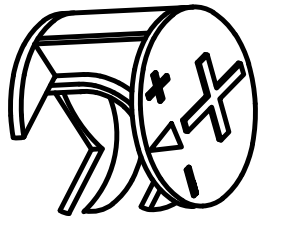
- 8 Screw x6

Step 41

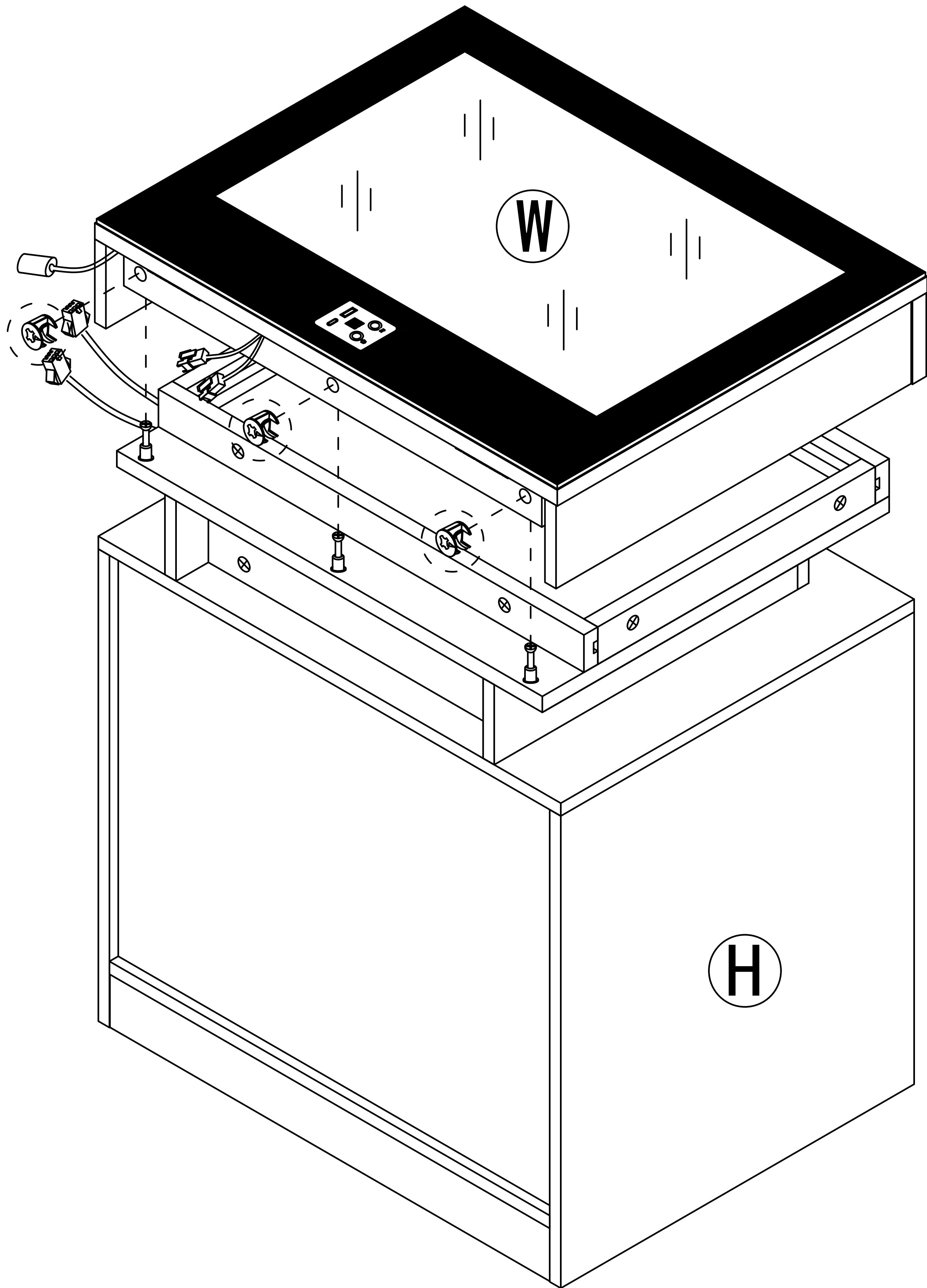


Step 42

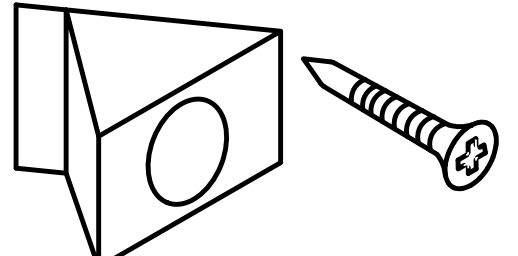
2

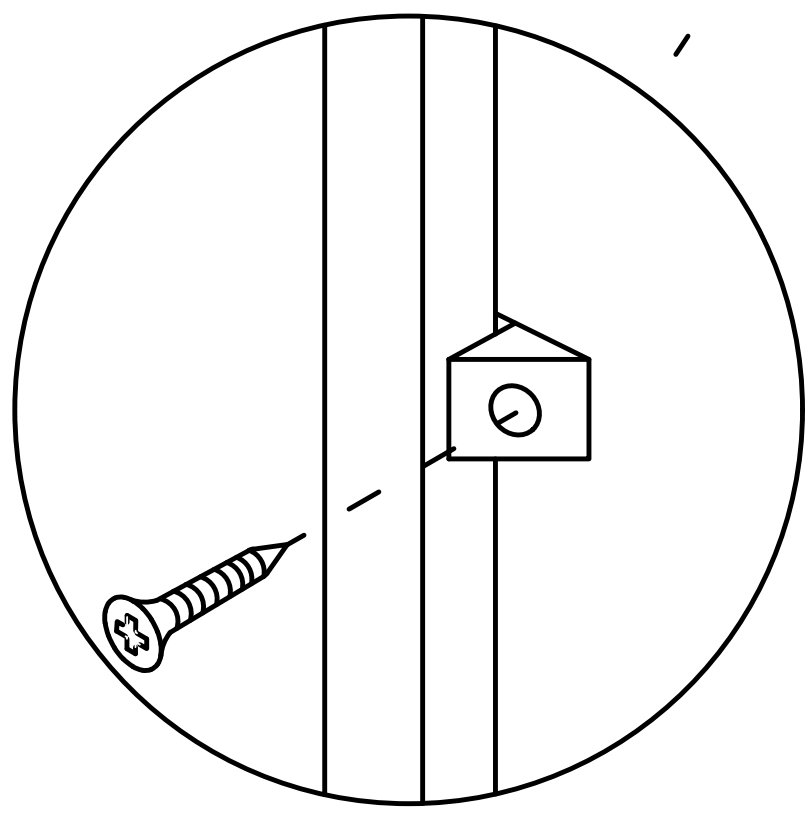
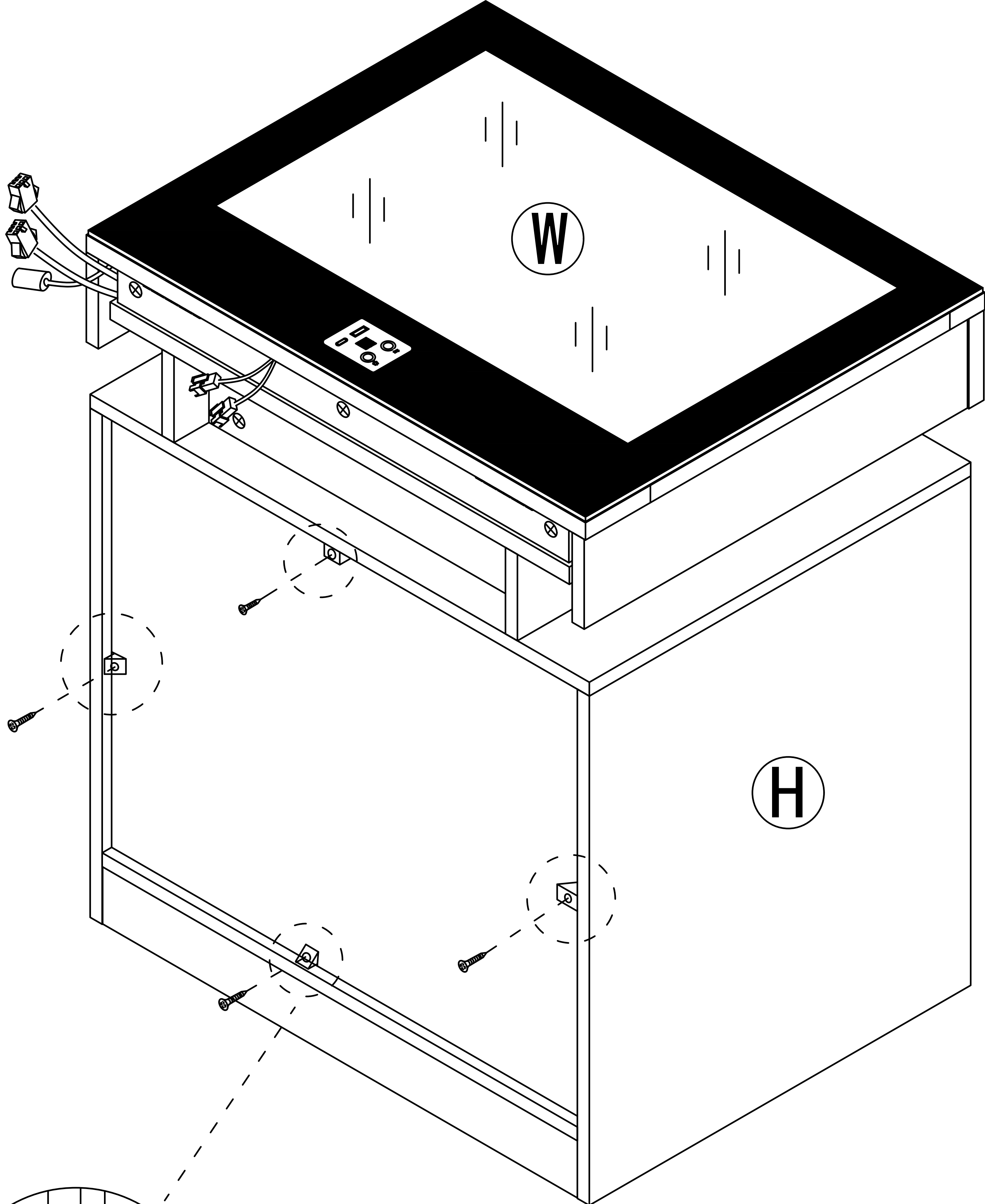


x3

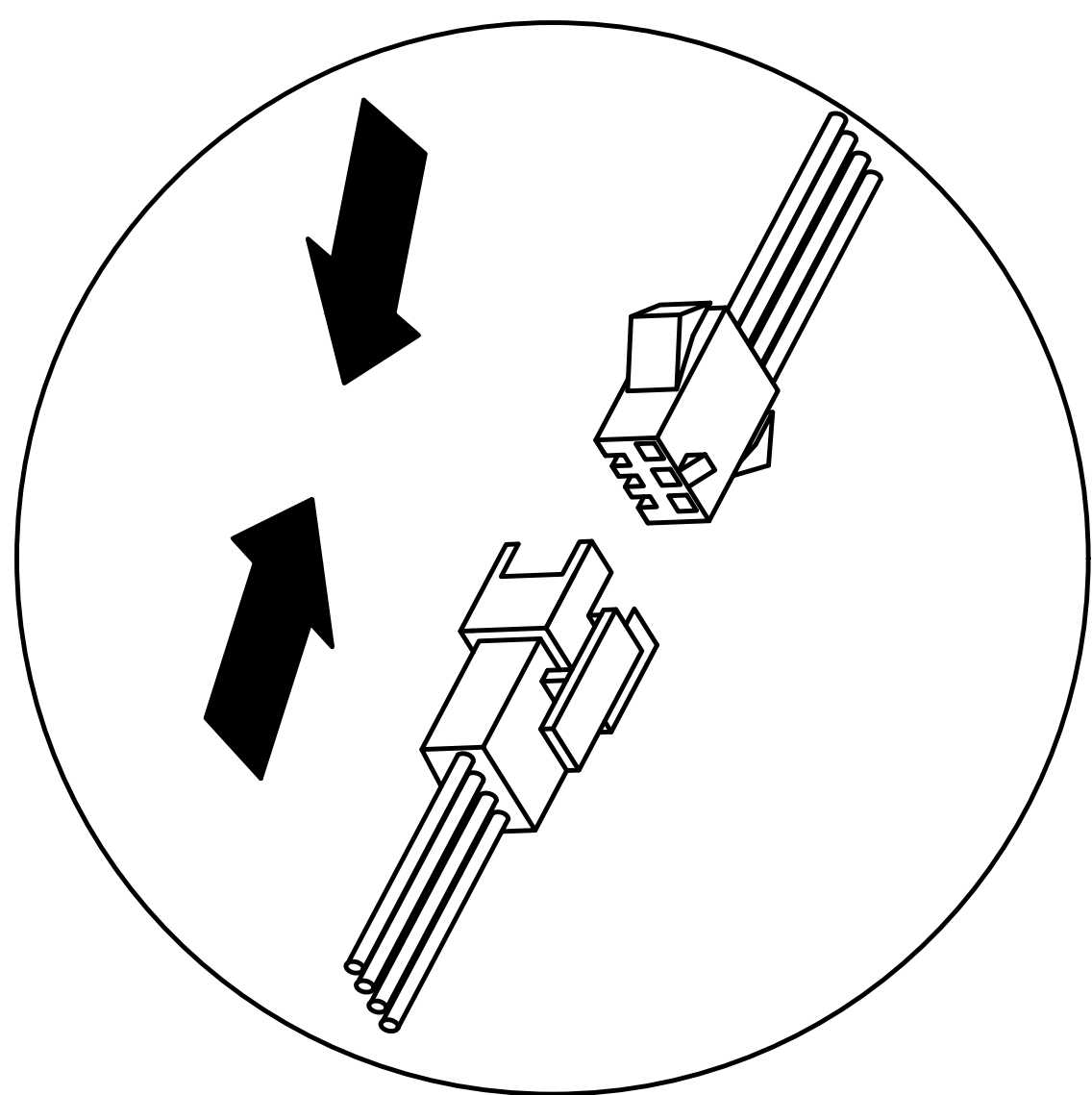
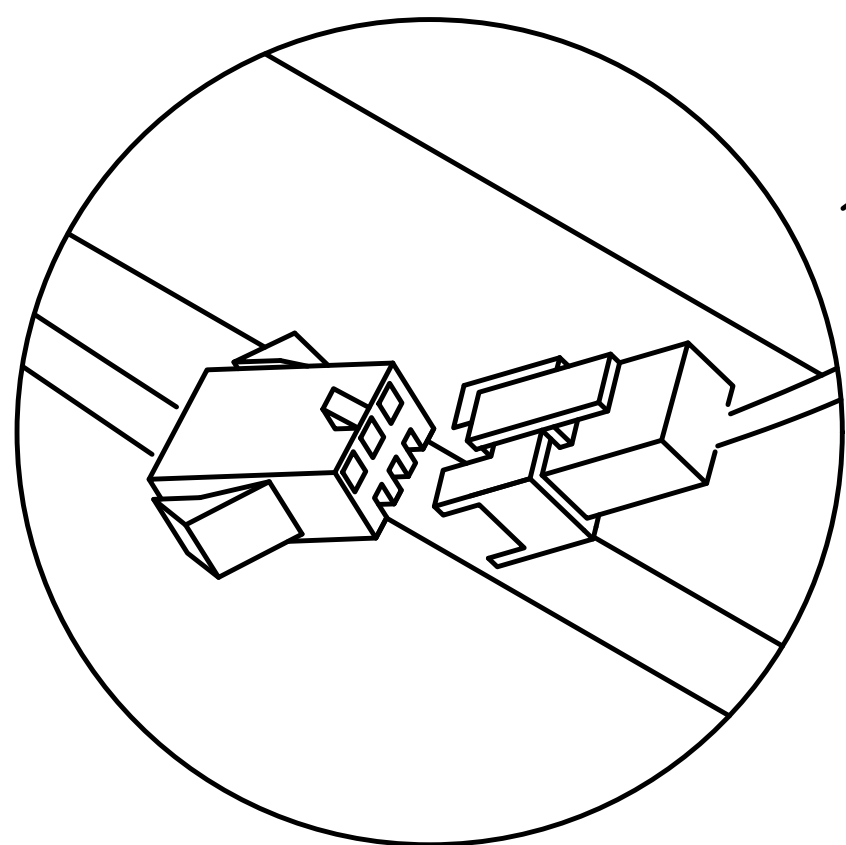
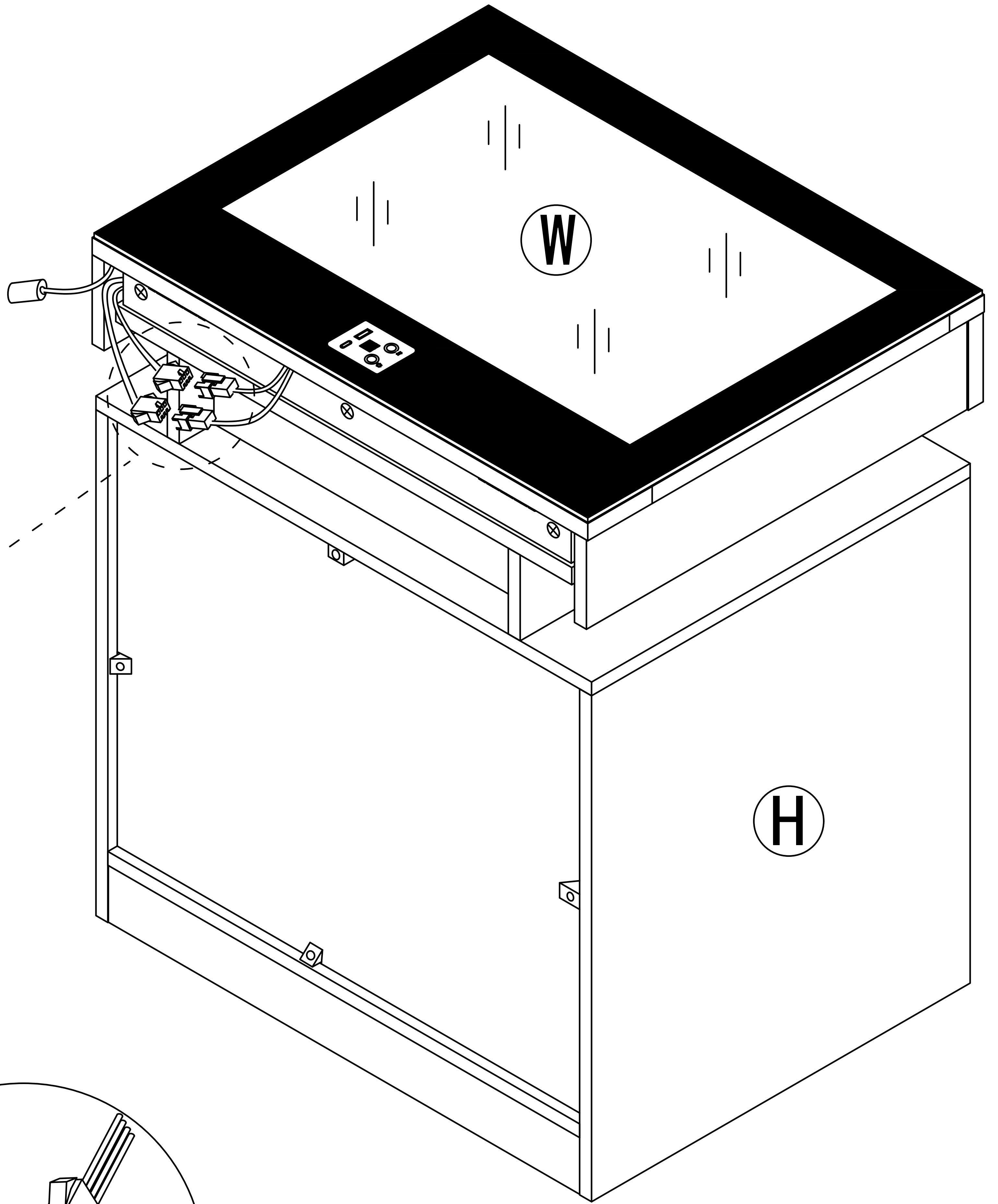


Step 43

7  x4

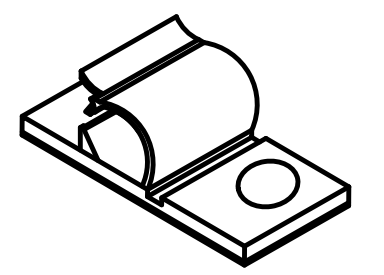


Step 44

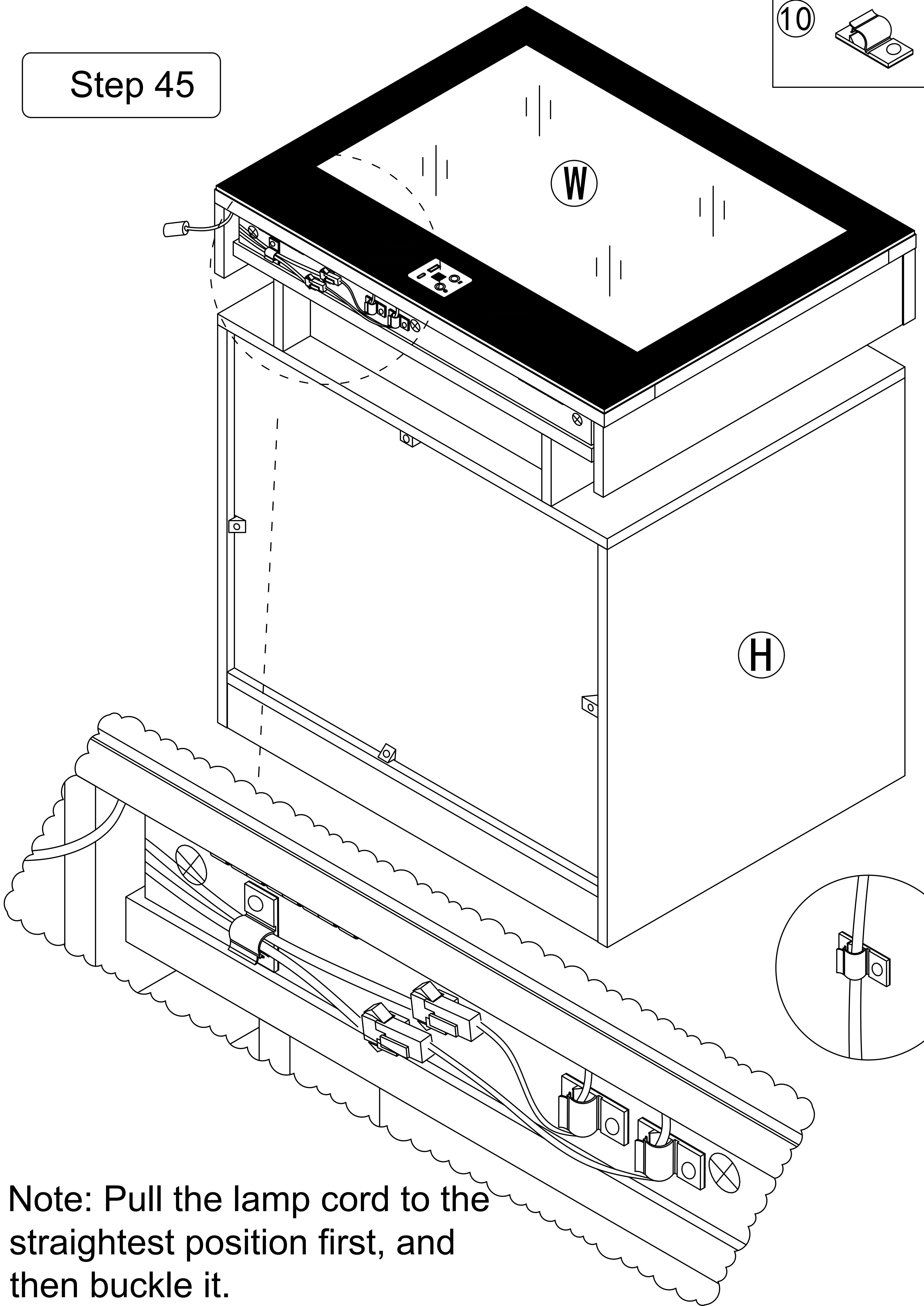


Step 45

10



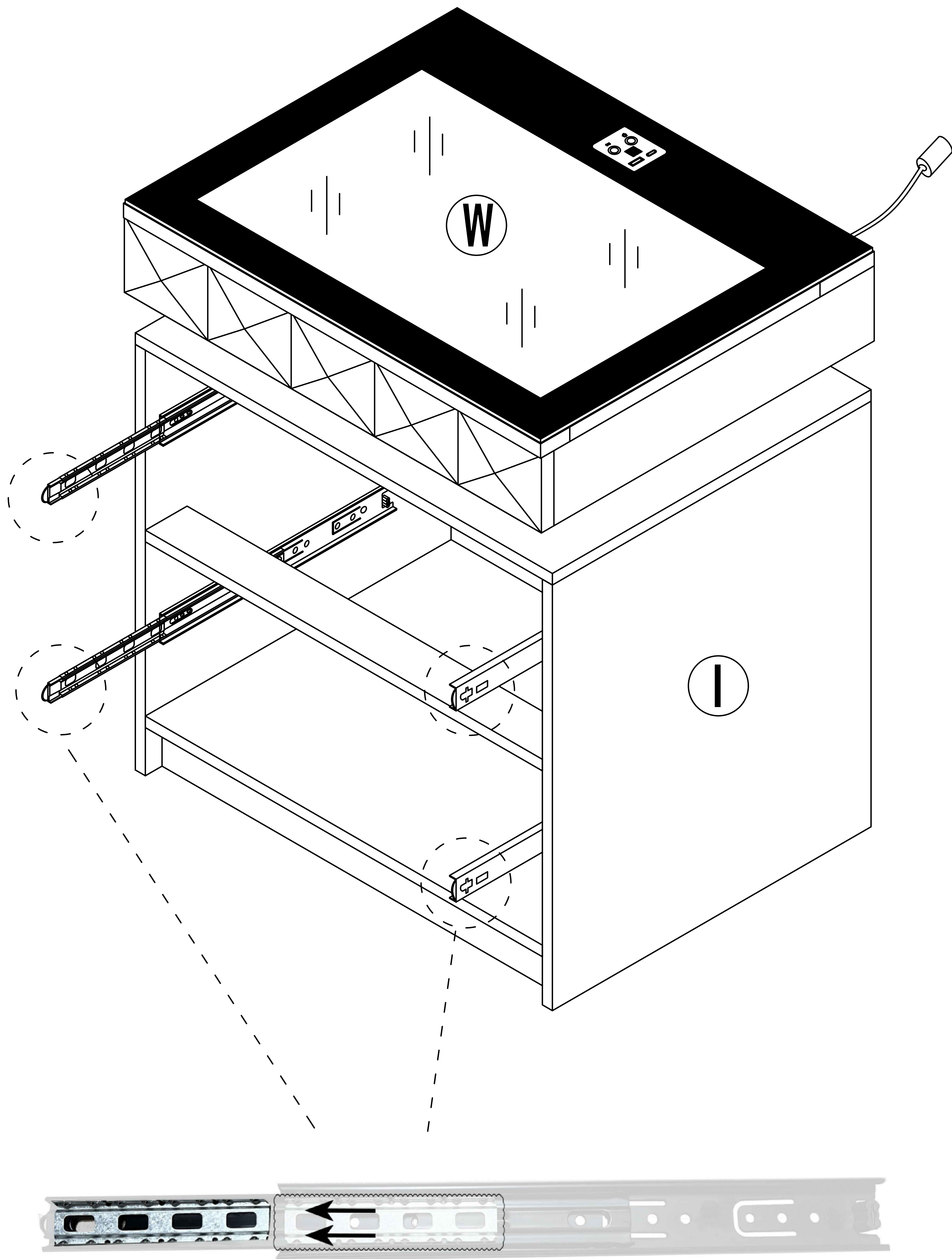
x3



Note: Pull the lamp cord to the straightest position first, and then buckle it.

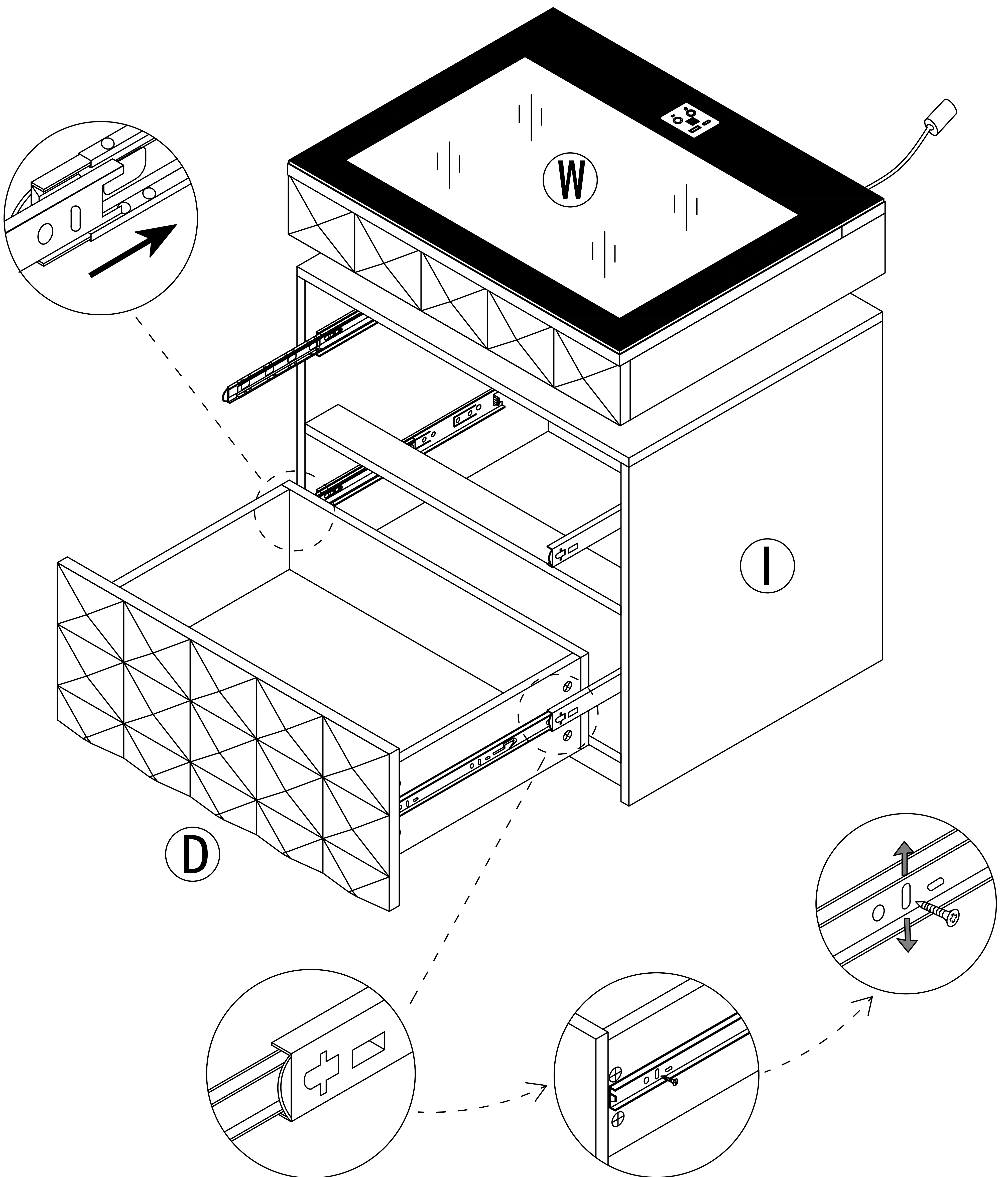
Note: Use a wire clip to pull the light wire taut and prevent it from falling off.

Step 46



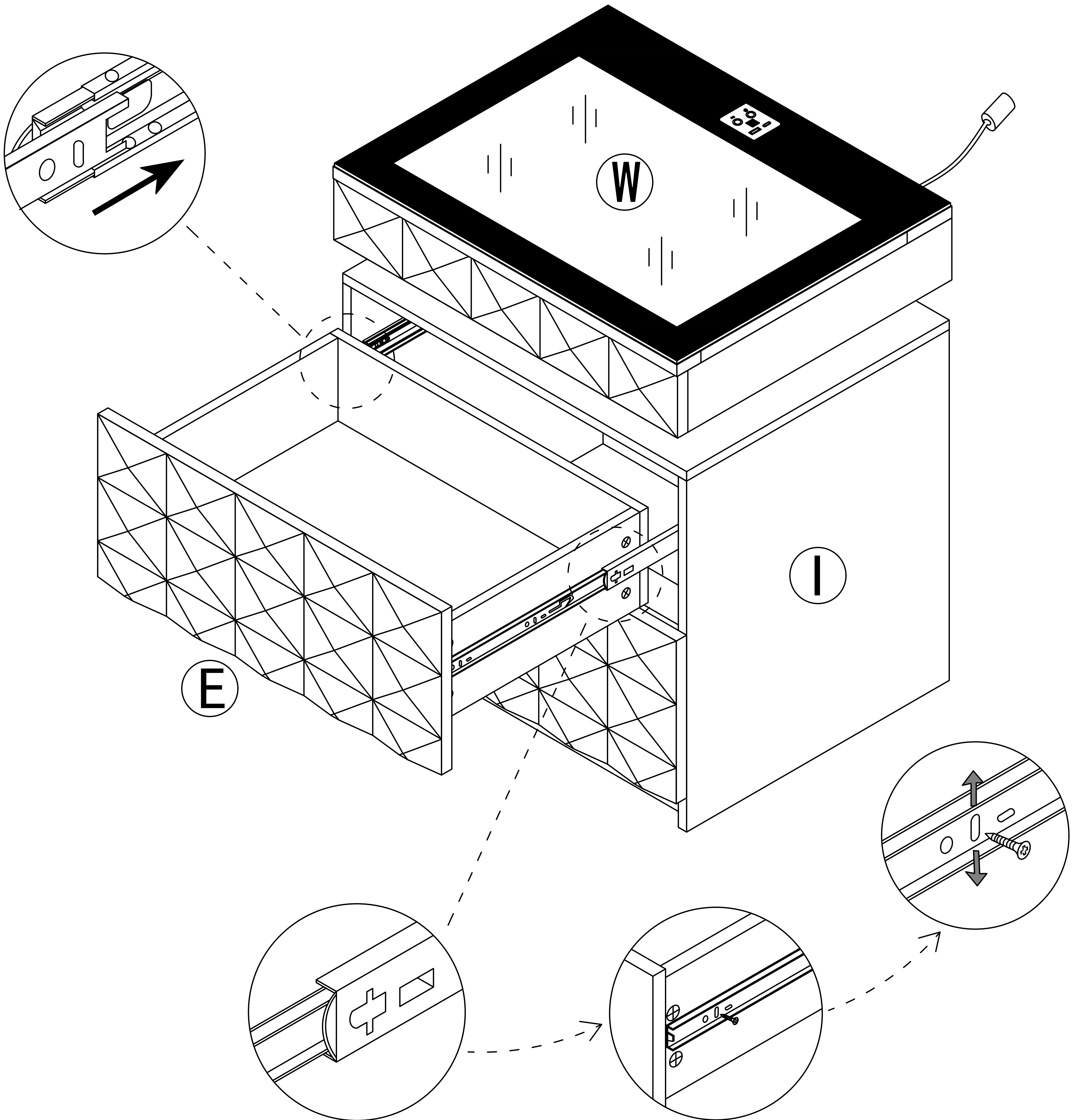
As shown, When installing the drawer,
pull the guide rail out first, Slide beads are also pulled out.

Step 47



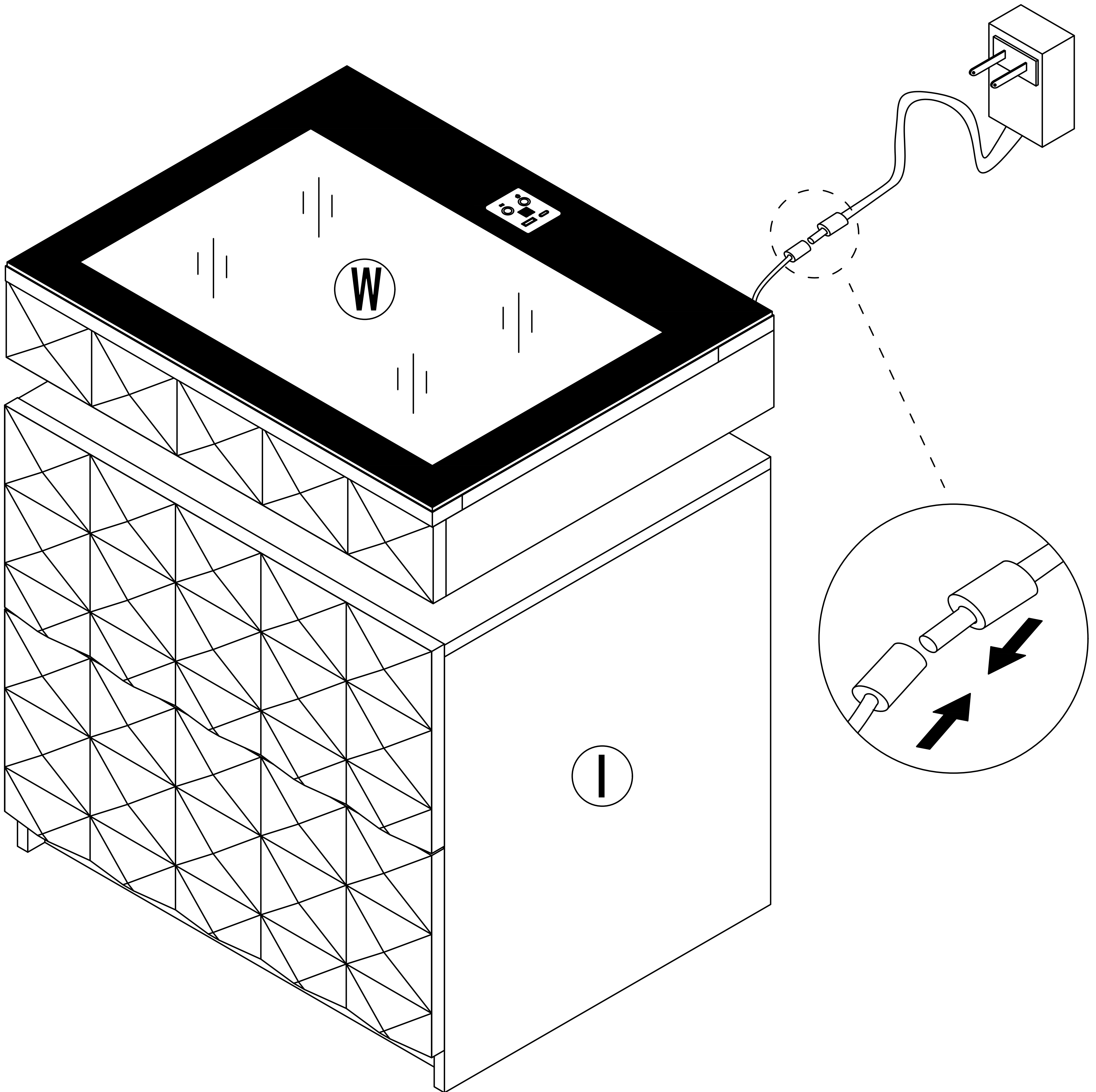
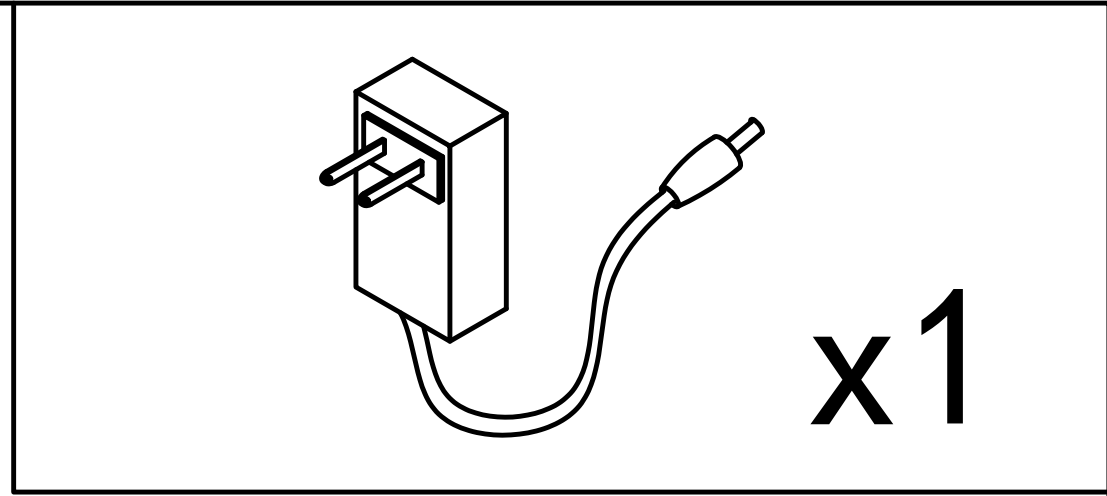
If a large gap is found after installing the drawer the slide rail can be moved up and down to adjust the gap

Step 48

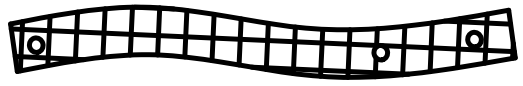
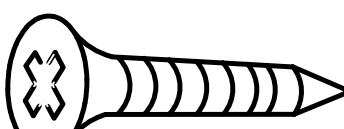



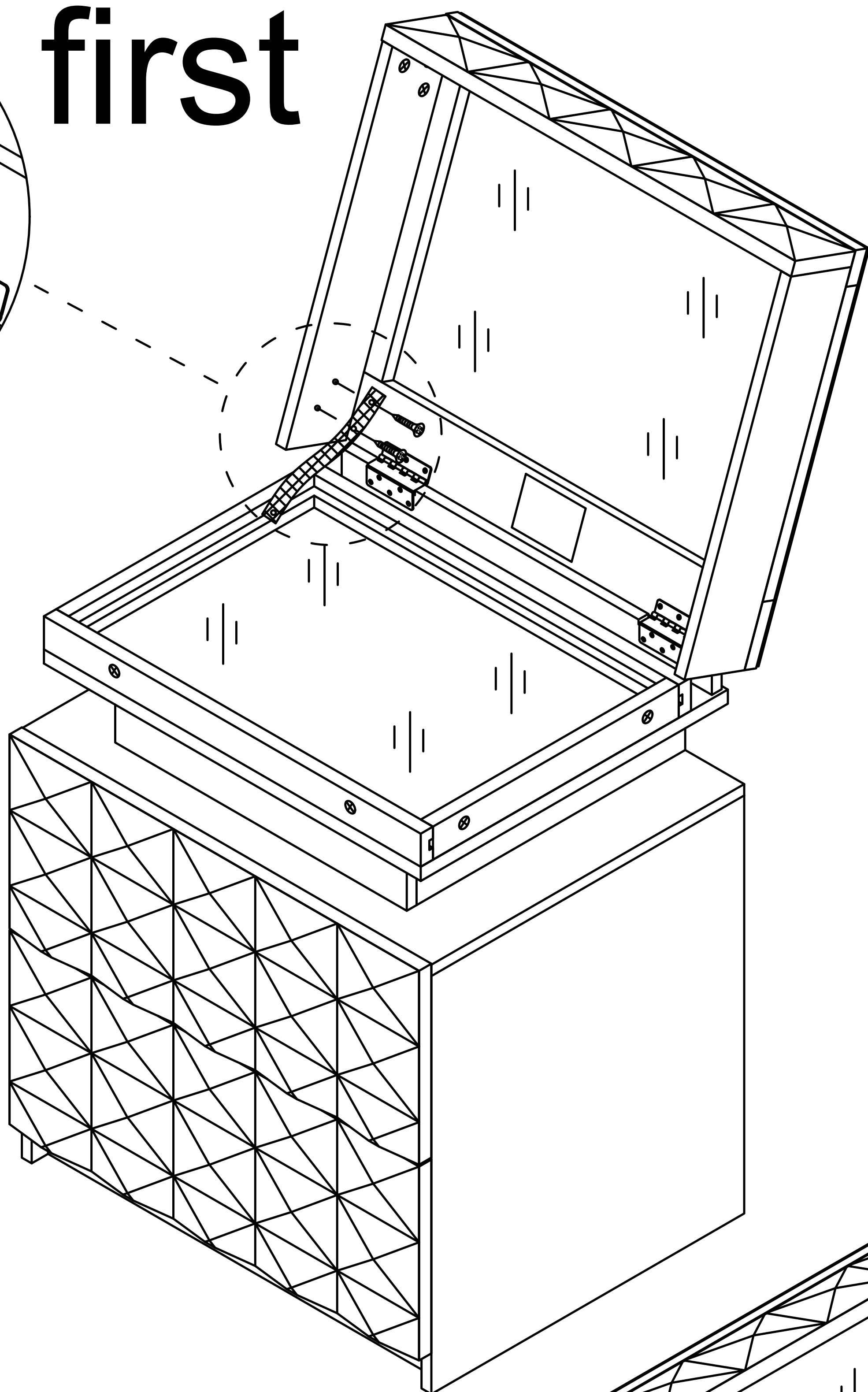
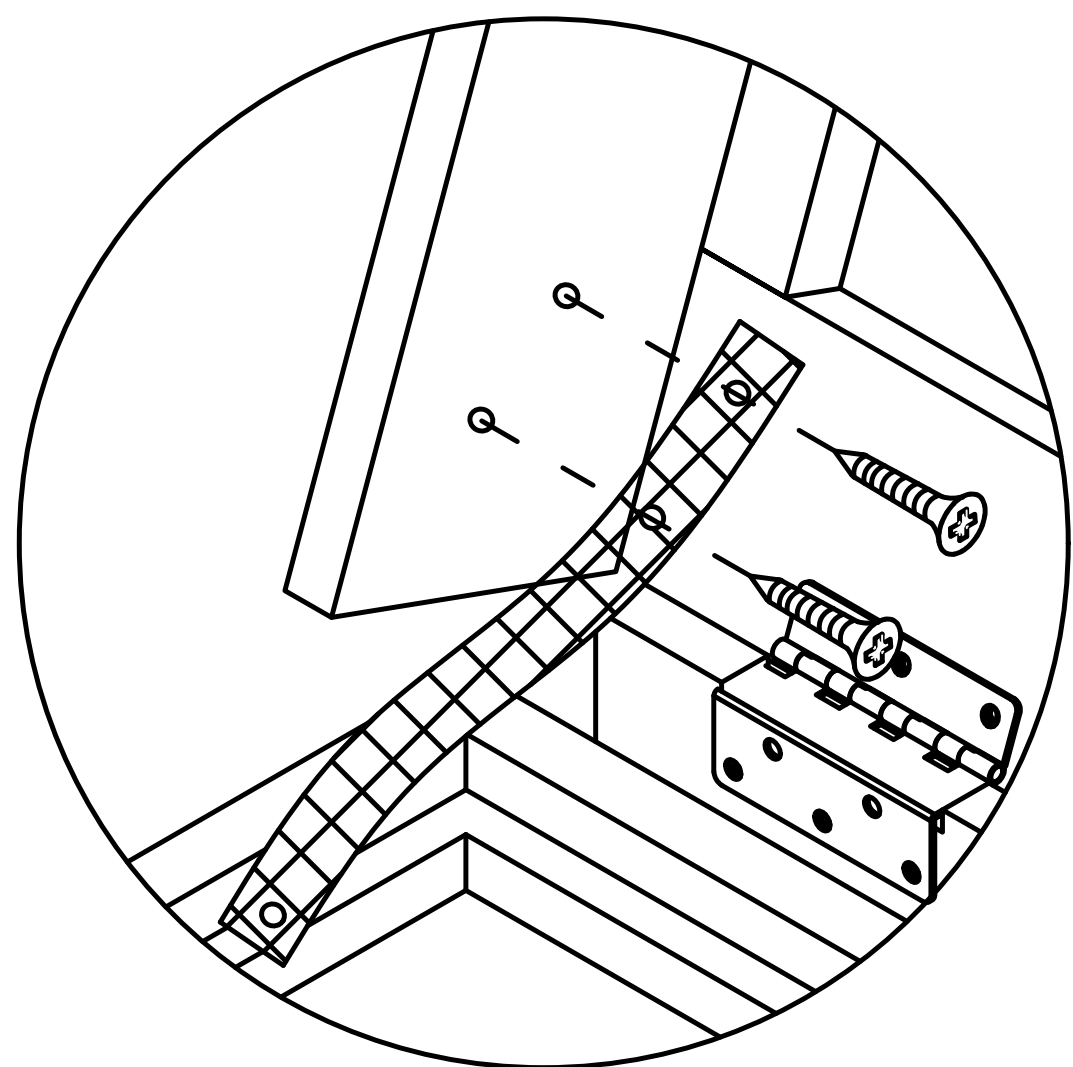
If a large gap is found after installing the drawer the slide rail can be moved up and down to adjust the gap

Step 49



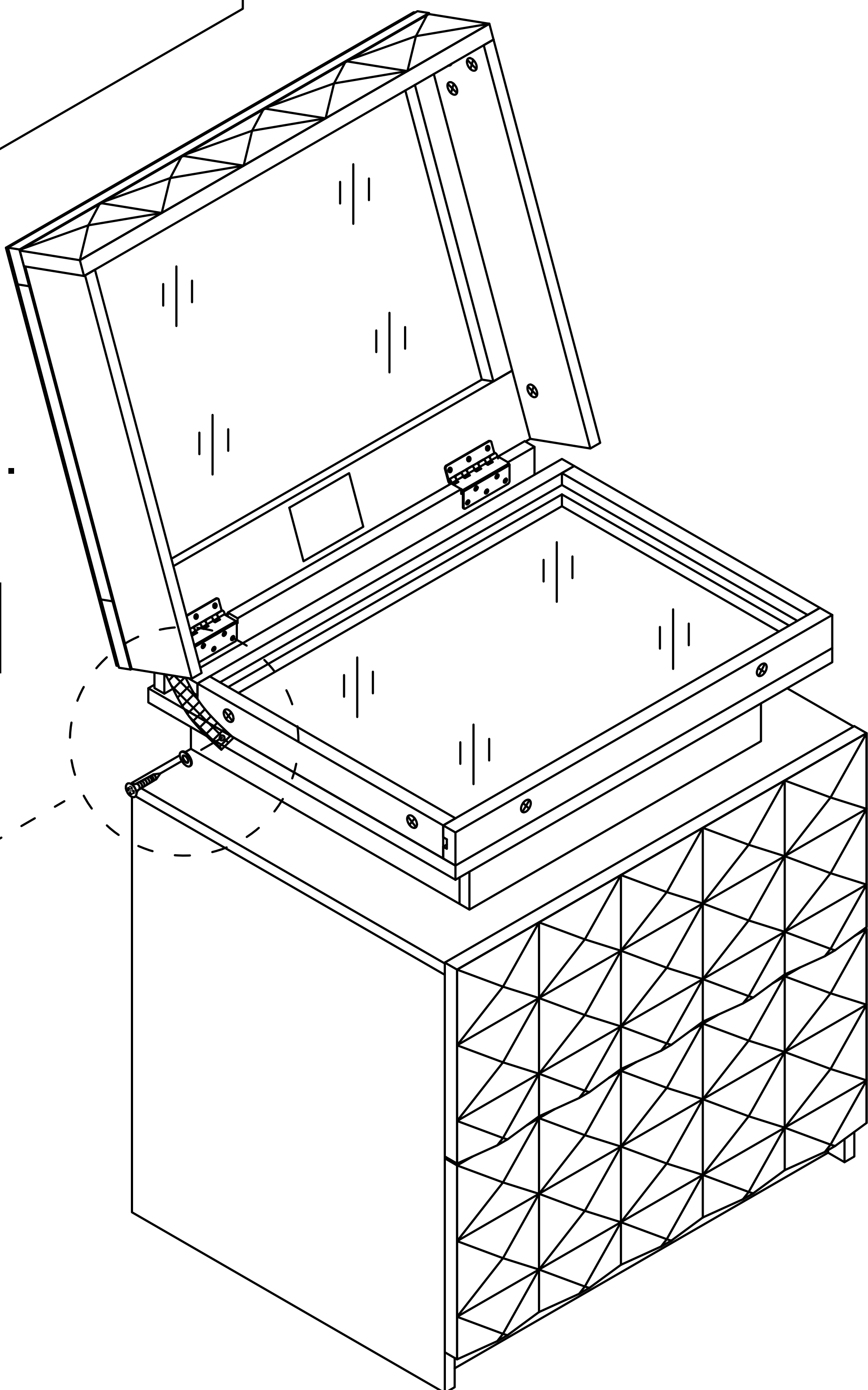
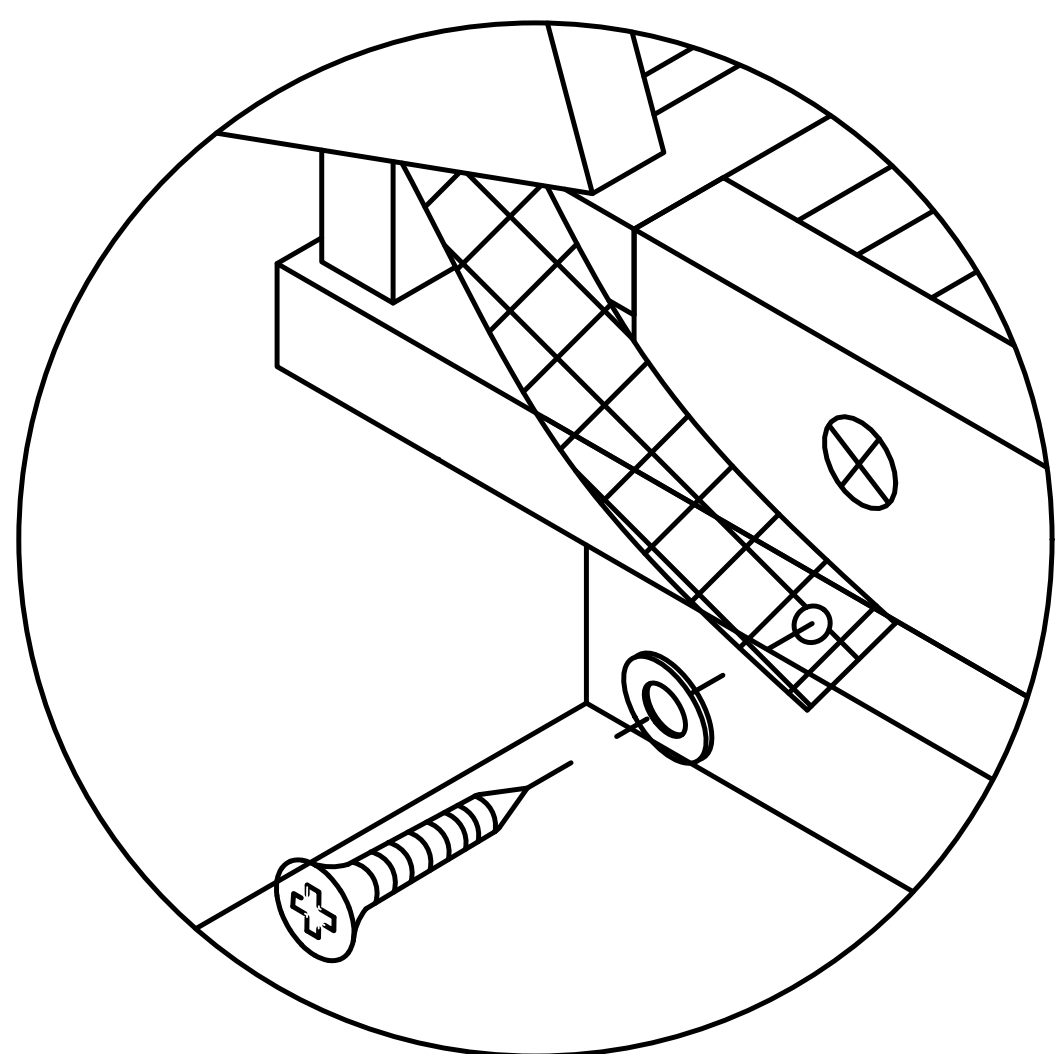
first

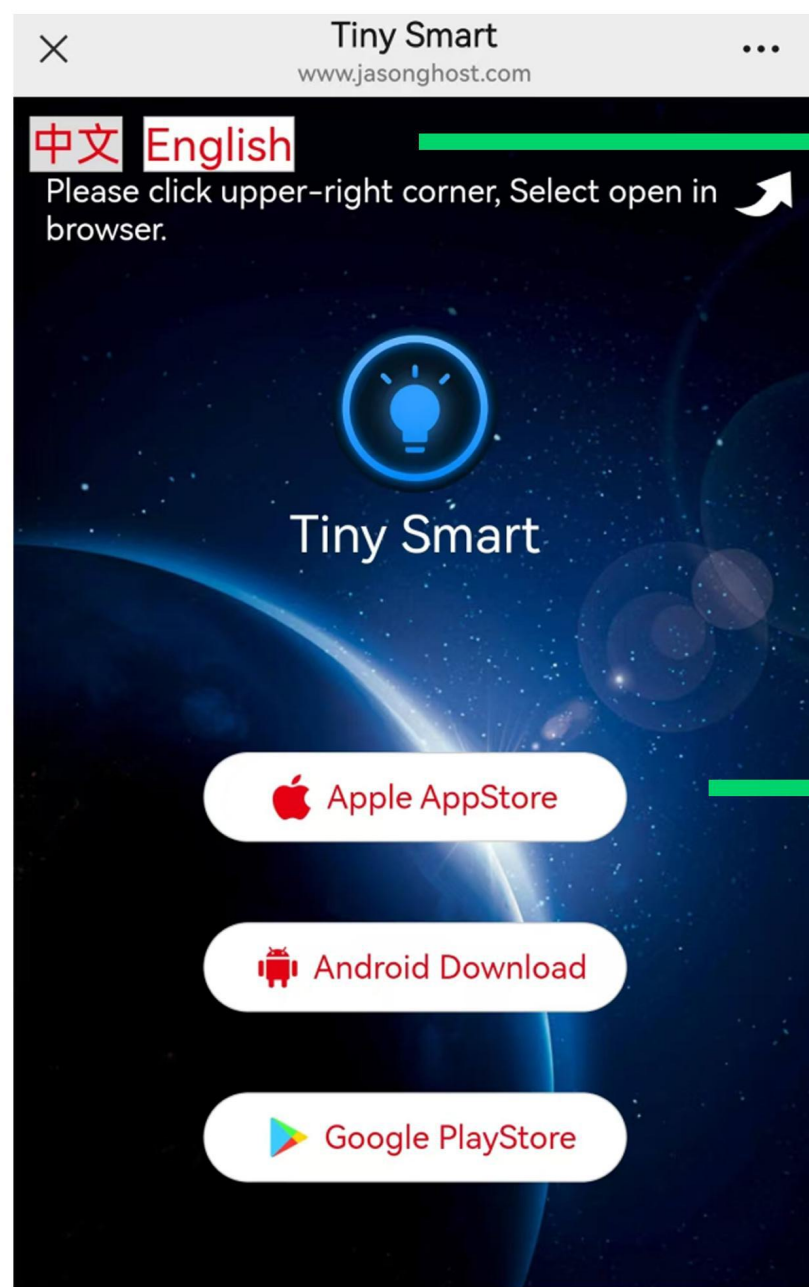
11  x1
 x3  x1



Note: Before opening the panel, lock the key, and then support the panel against the wall at a certain inclination.

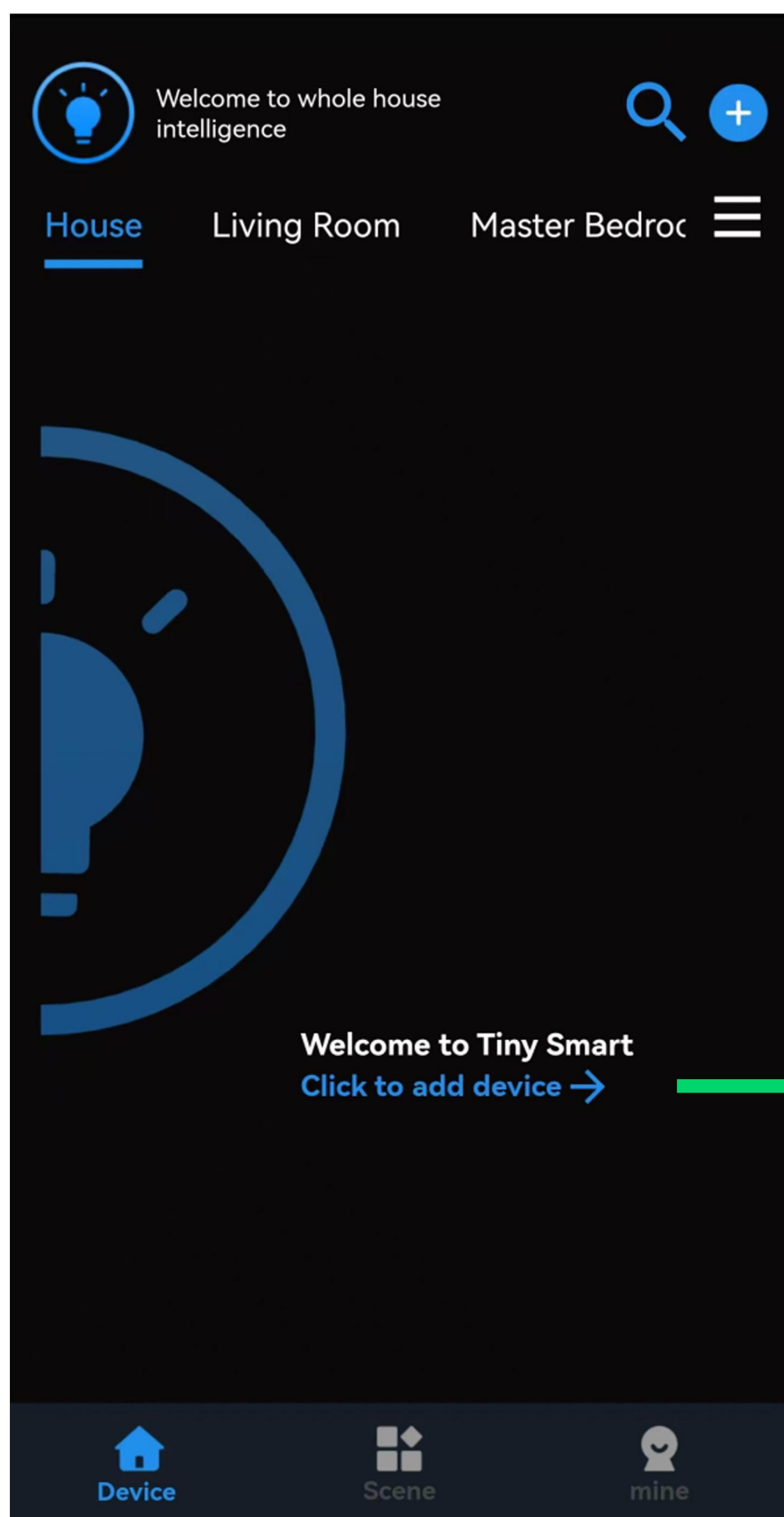
second



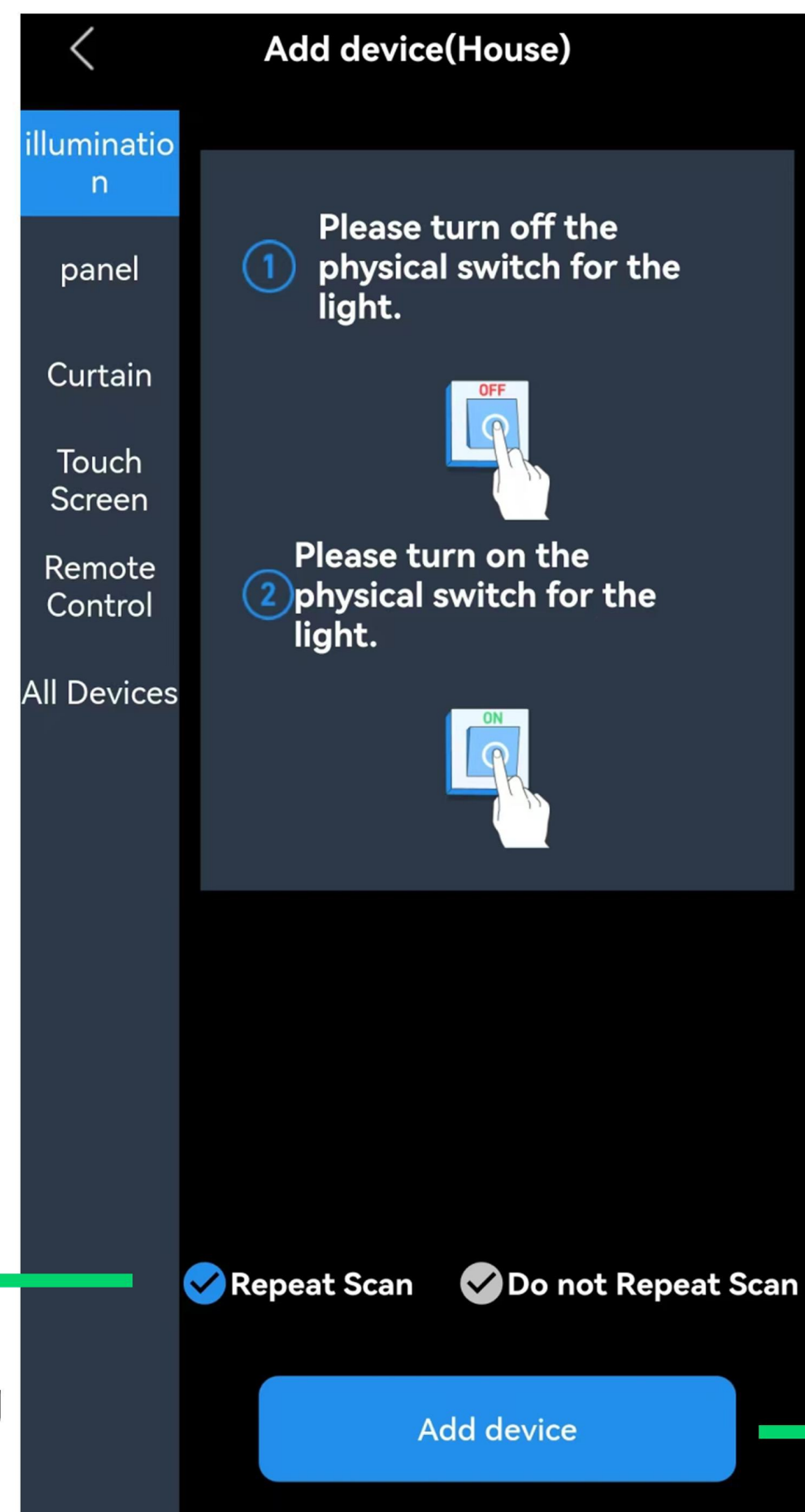


Select English Language

Select the corresponding device to download.
Note: If the download fails, please turn off the "Enhanced Protection" in the Pure Mode settings of the device.



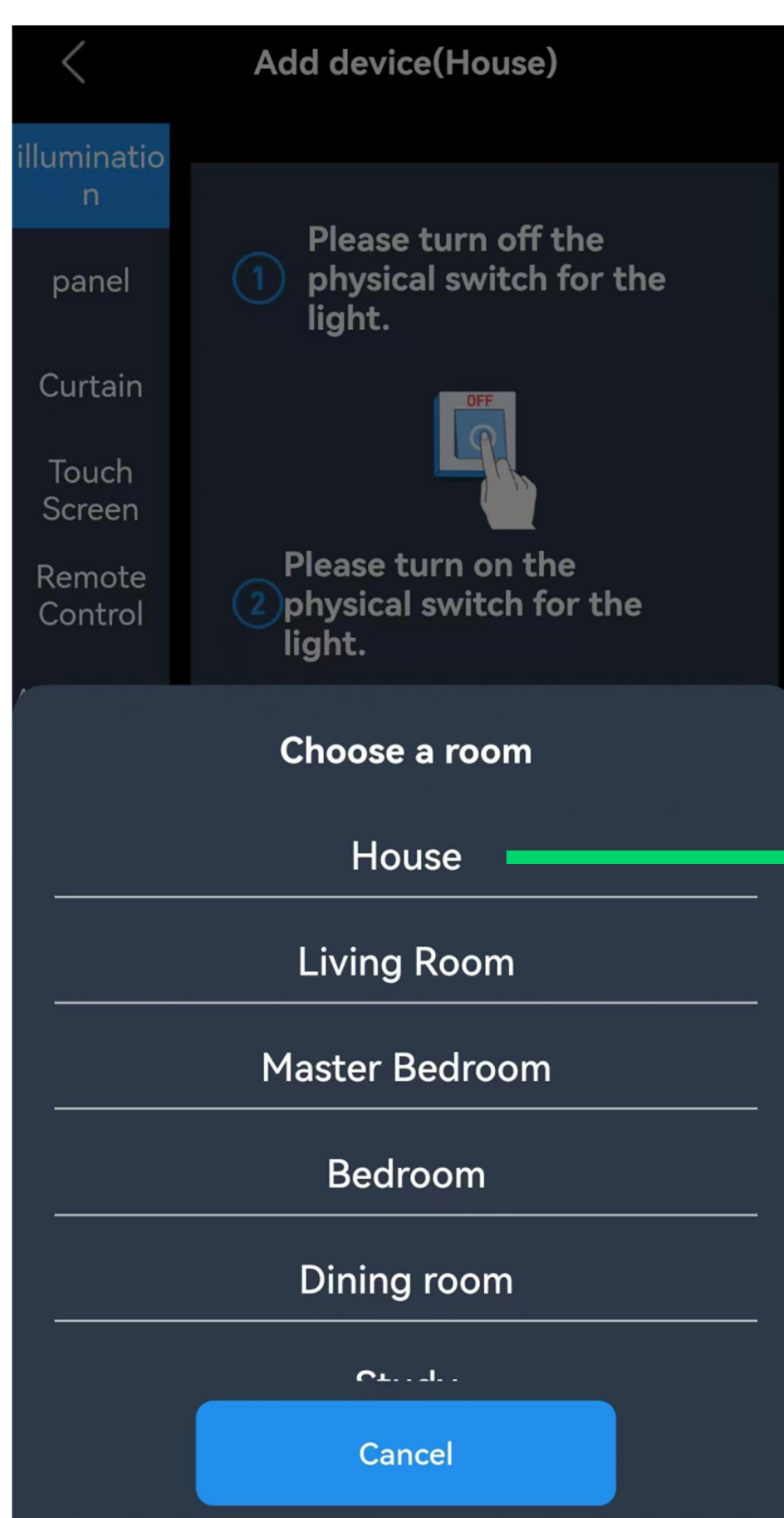
1



2

It turns blue after clicking

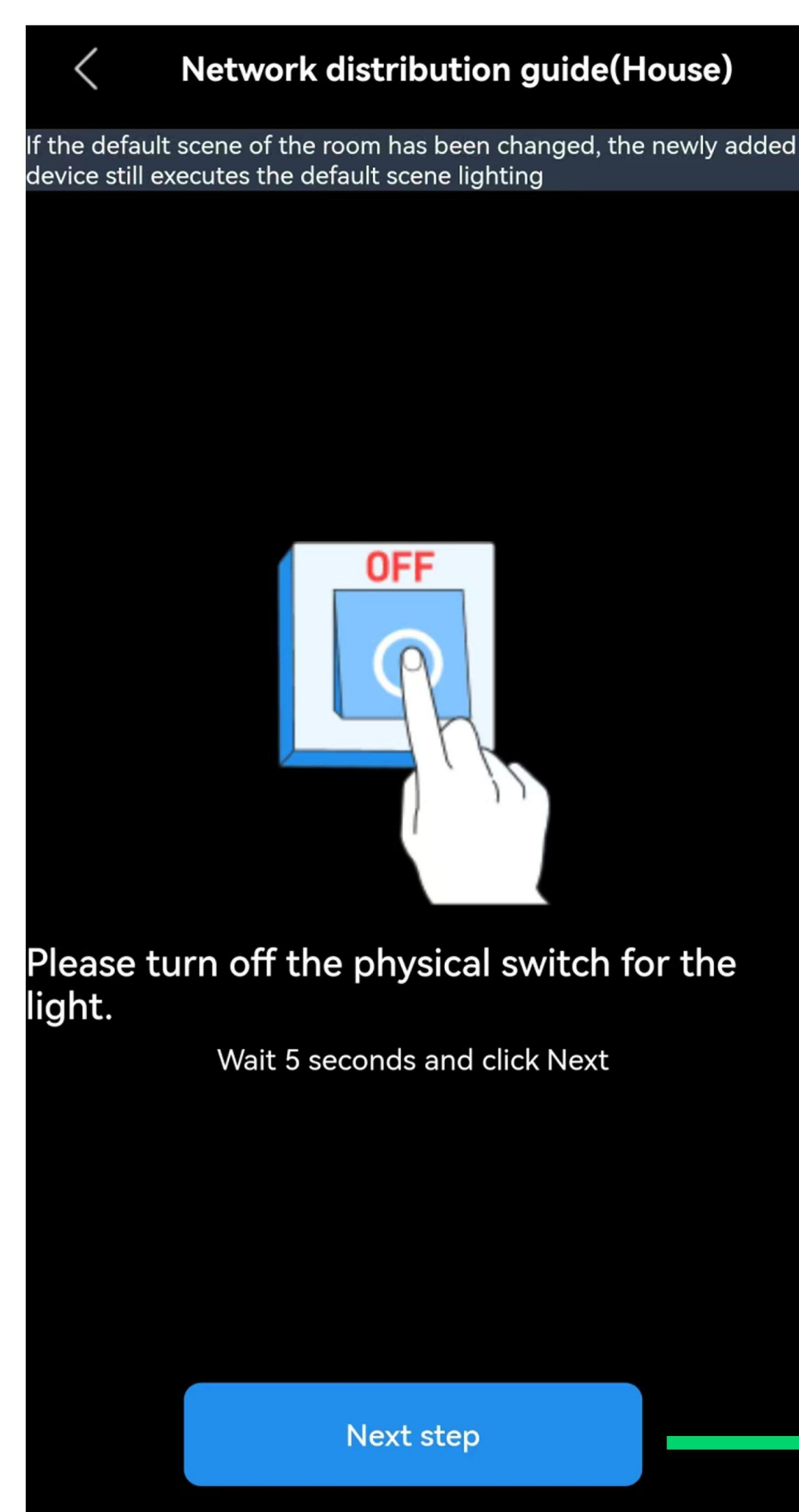
3



4



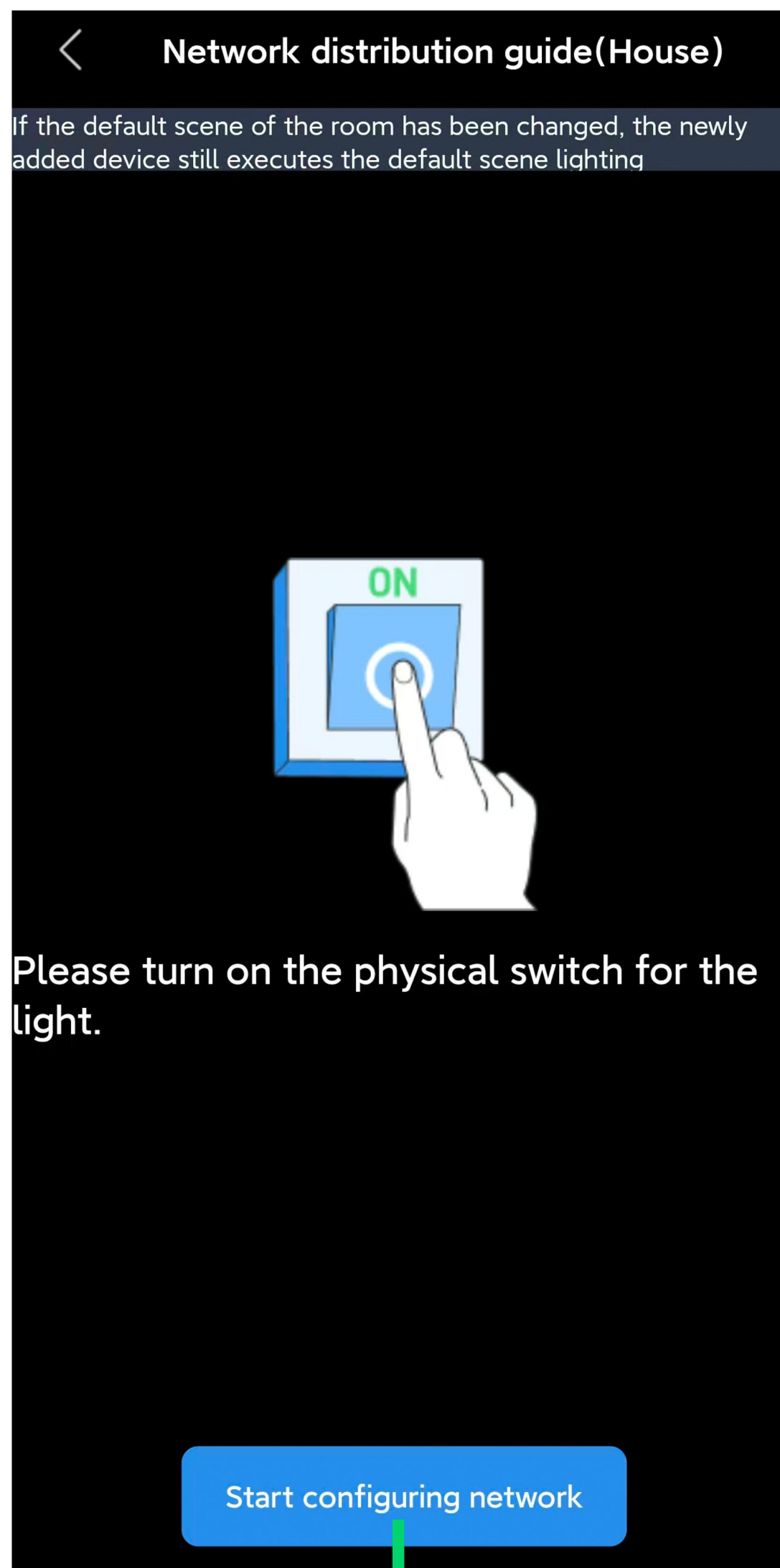
5 Unplug the smart box



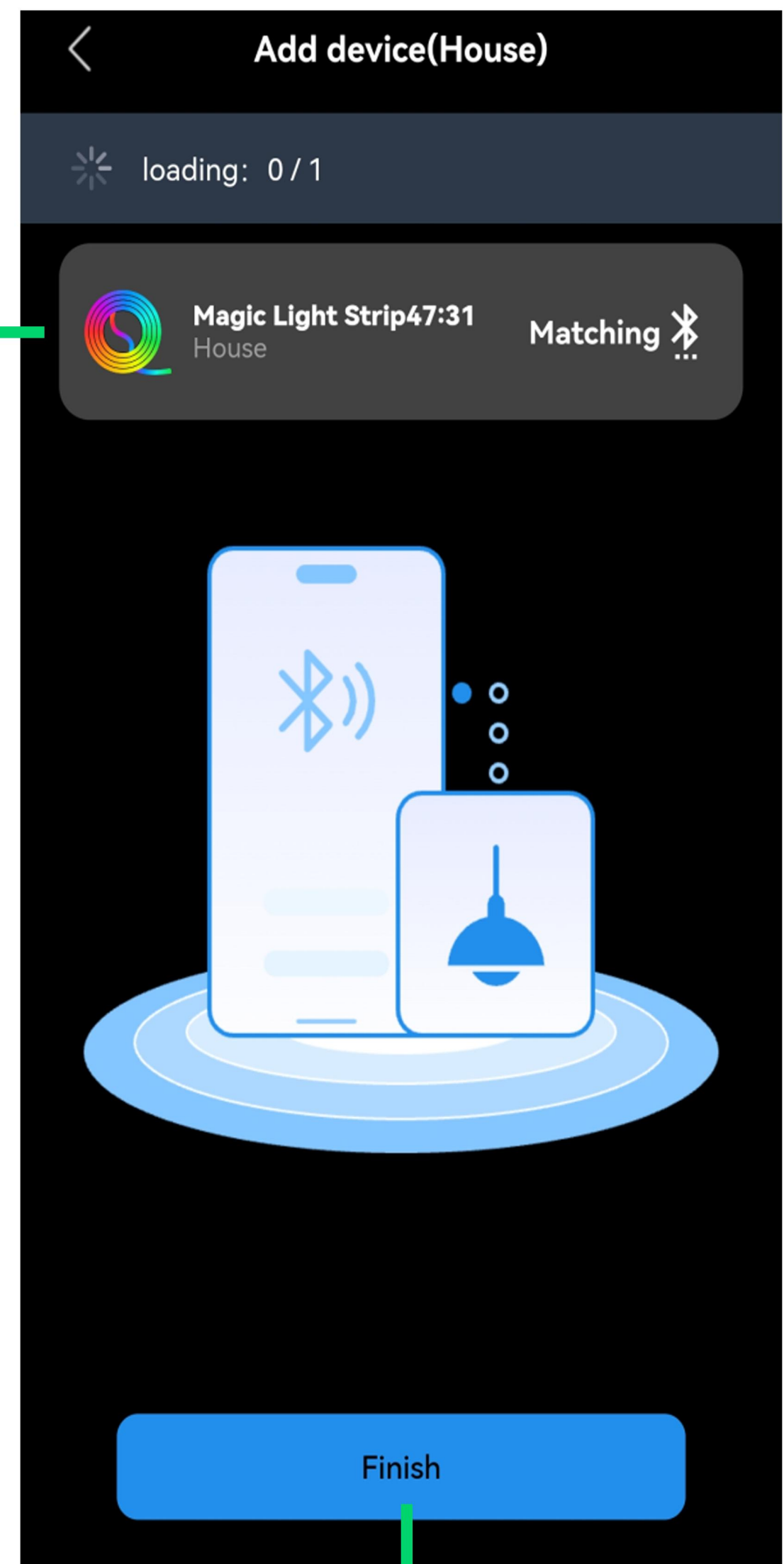
6

7 Plug in the smart box power plug.

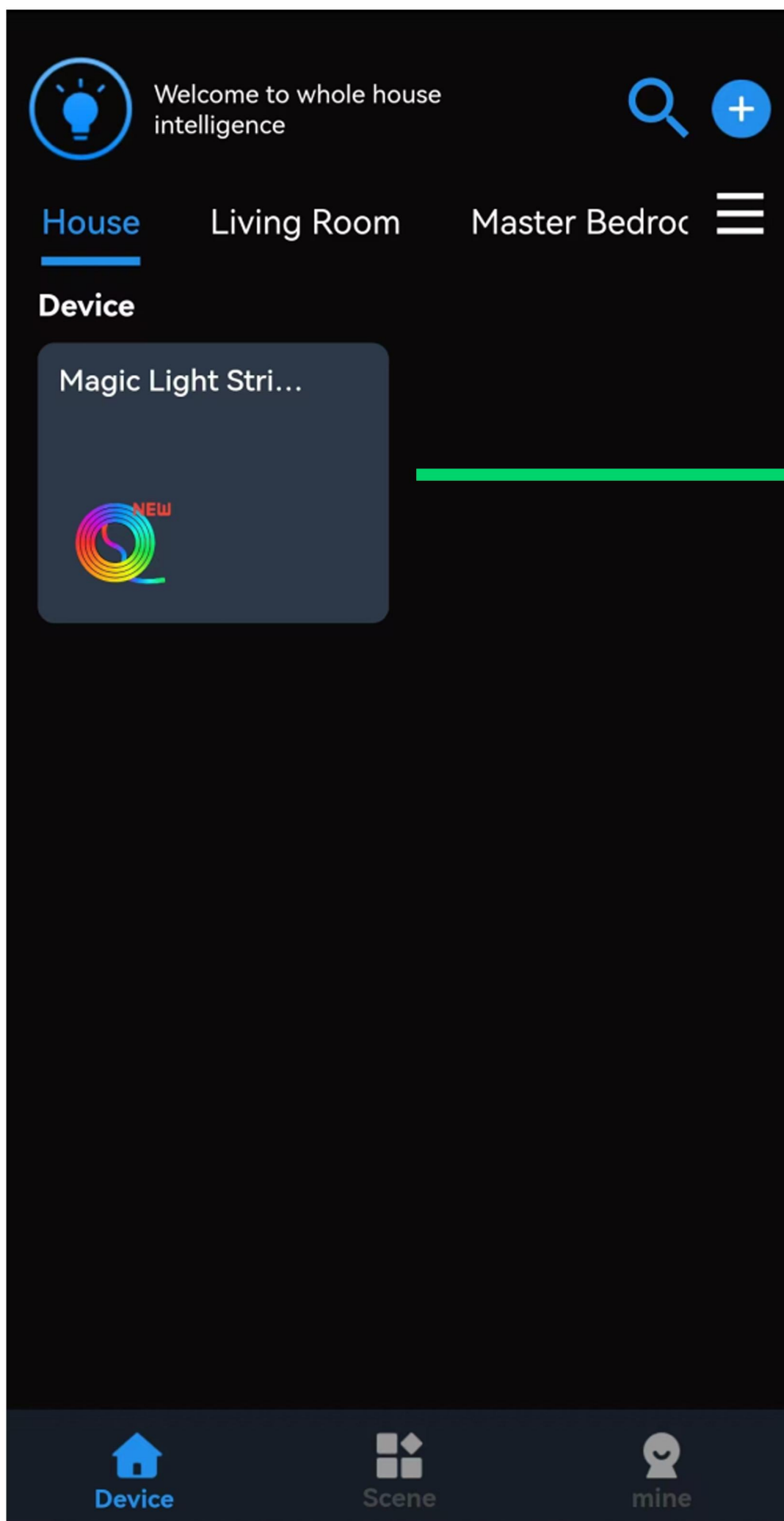
The appearance of this program icon indicates that the matching is complete



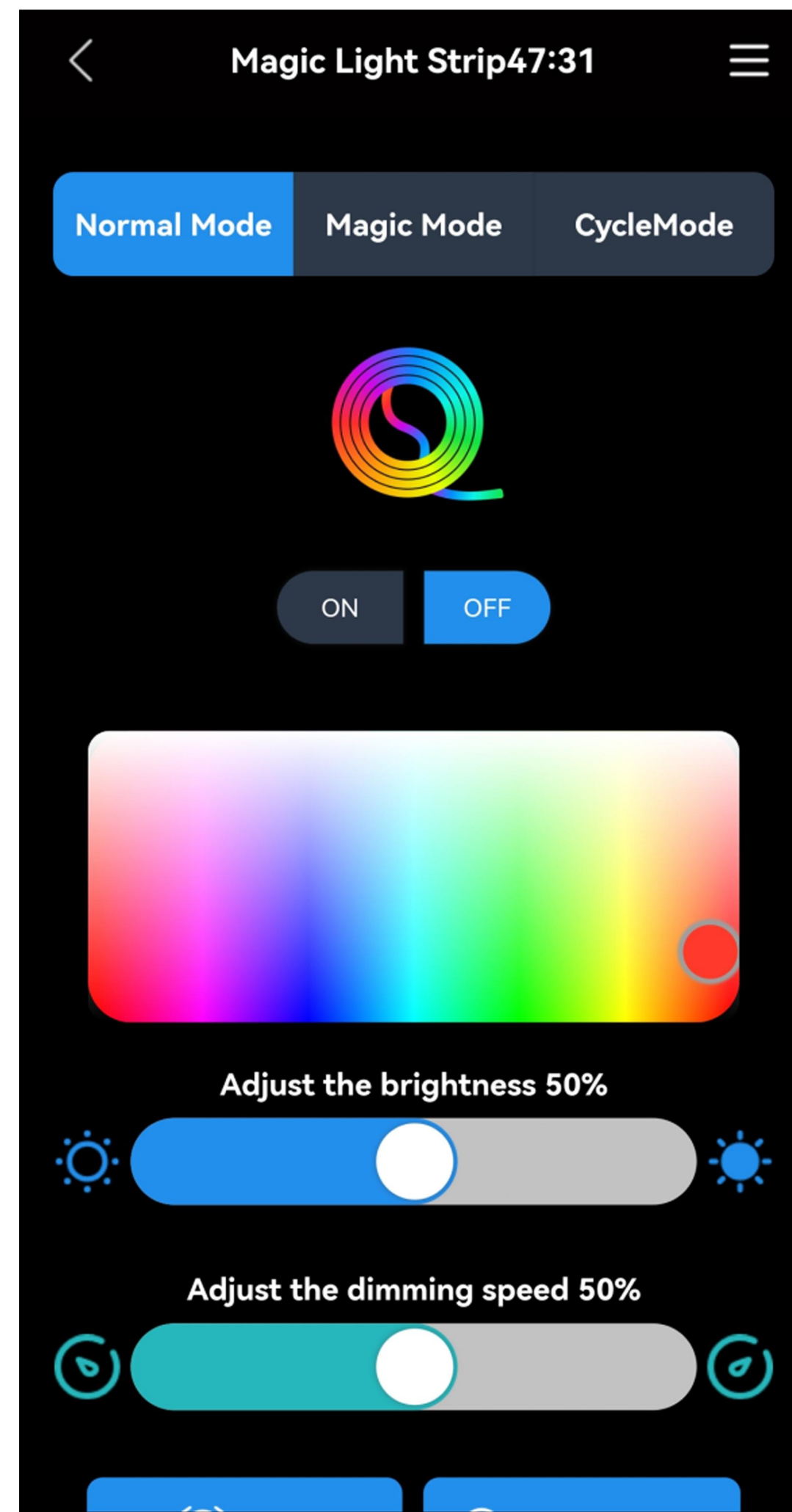
8



9



10



Now you can freely adjust the lighting according to your preferences



User's Guide

Thank you for purchasing this product.

To use this product, please connect it to a power source.

Please use if the product works normally after connecting to power.

If bubbles appear on the panel, remove the protective film.

Introduction

The box is an intelligent controller.

It has 1 USB output port 1 Type-c port, with 2 touch buttons ,

it can and turn ON/OFF the induction function,

turn ON/OFF the light,adjust the light luminance, and change light colors.

The lights can be controlled through both the touch buttons and a dedicated app.

Operation



This touch button is used to turn the light on/off, adjust brightness, and switch the color of the lights.

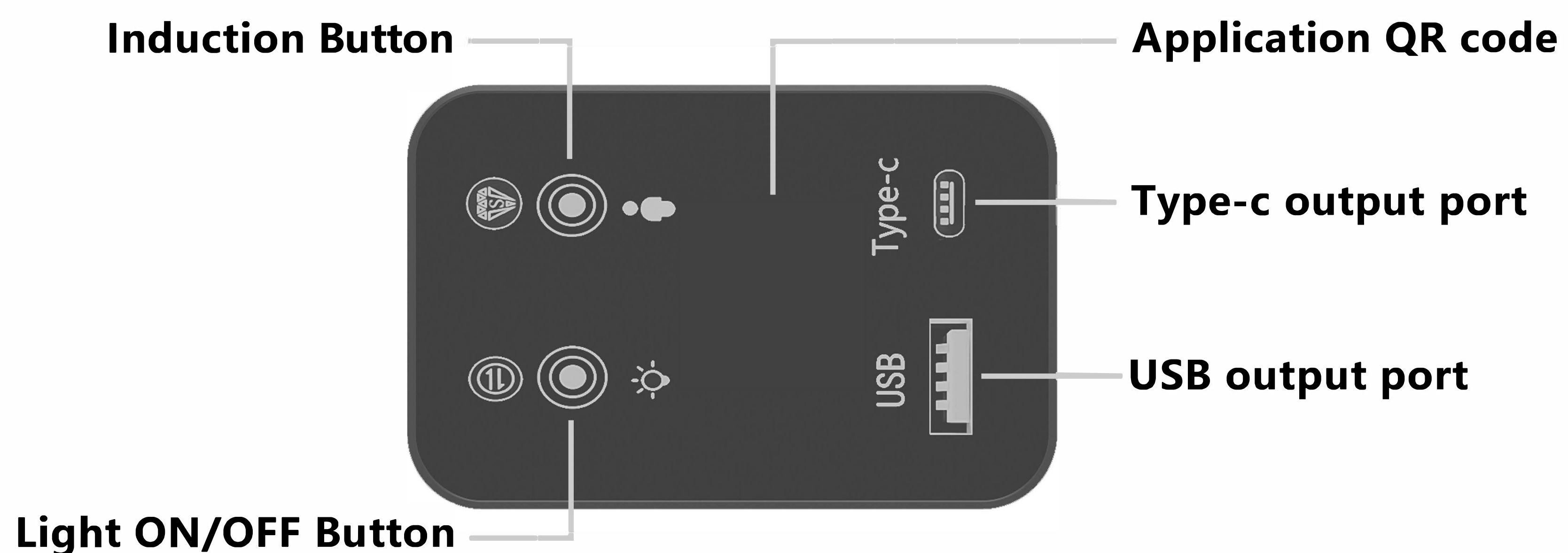
- i. Single Click: Turn the light on/off.
- ii. Quick Double-Click: Switch between 7 static RGB colors.
- iii. Long Press (2+ seconds): Adjust the light luminance.



This touch button is used to switch dynamic phantom colors and turn ON/OFF the induction function.

- i. Single Click: Switch to Phantom Mode, with 5 magical color transformations available.
- ii. Human Body Sensing Control: Long Press (3+ seconds): Turn on (The key press indicator light is on.)
Long Press (3+ seconds): Turn off (The key press indicator light is off.)

By default, the human body sensing is enabled upon initial power-on, and the indicator light is on.



⚠ ATTENTION PLEASE

1. If there is no touch response suddenly, Re-plug the power to reset the touch static electricity.
2. If you have any questions when installing, please feel free to contact us. Thank you.