

# **L Shaped Desk**

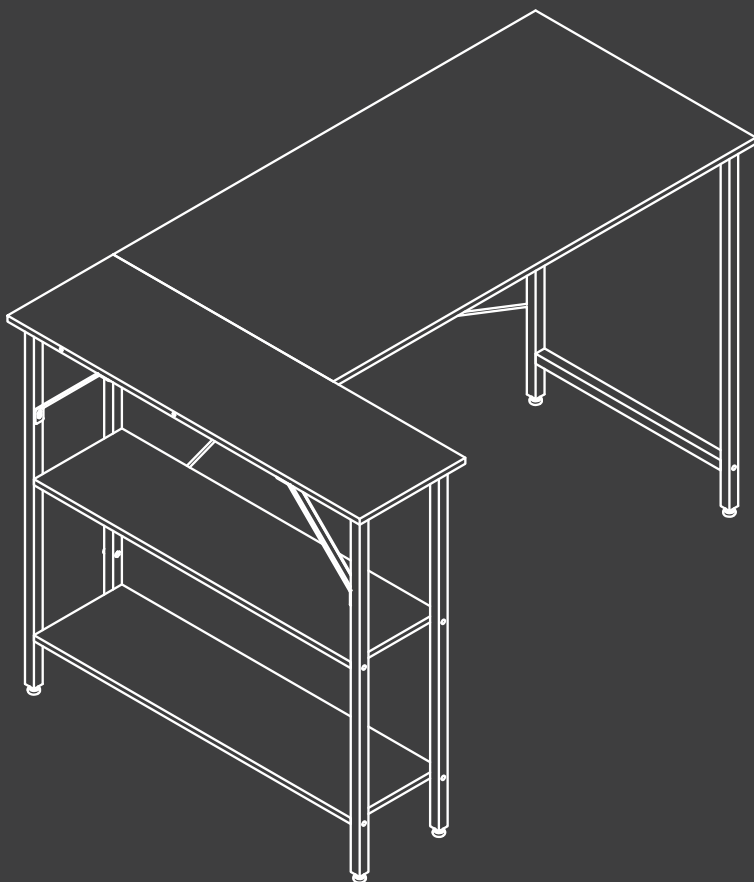
**Instruction Manual**

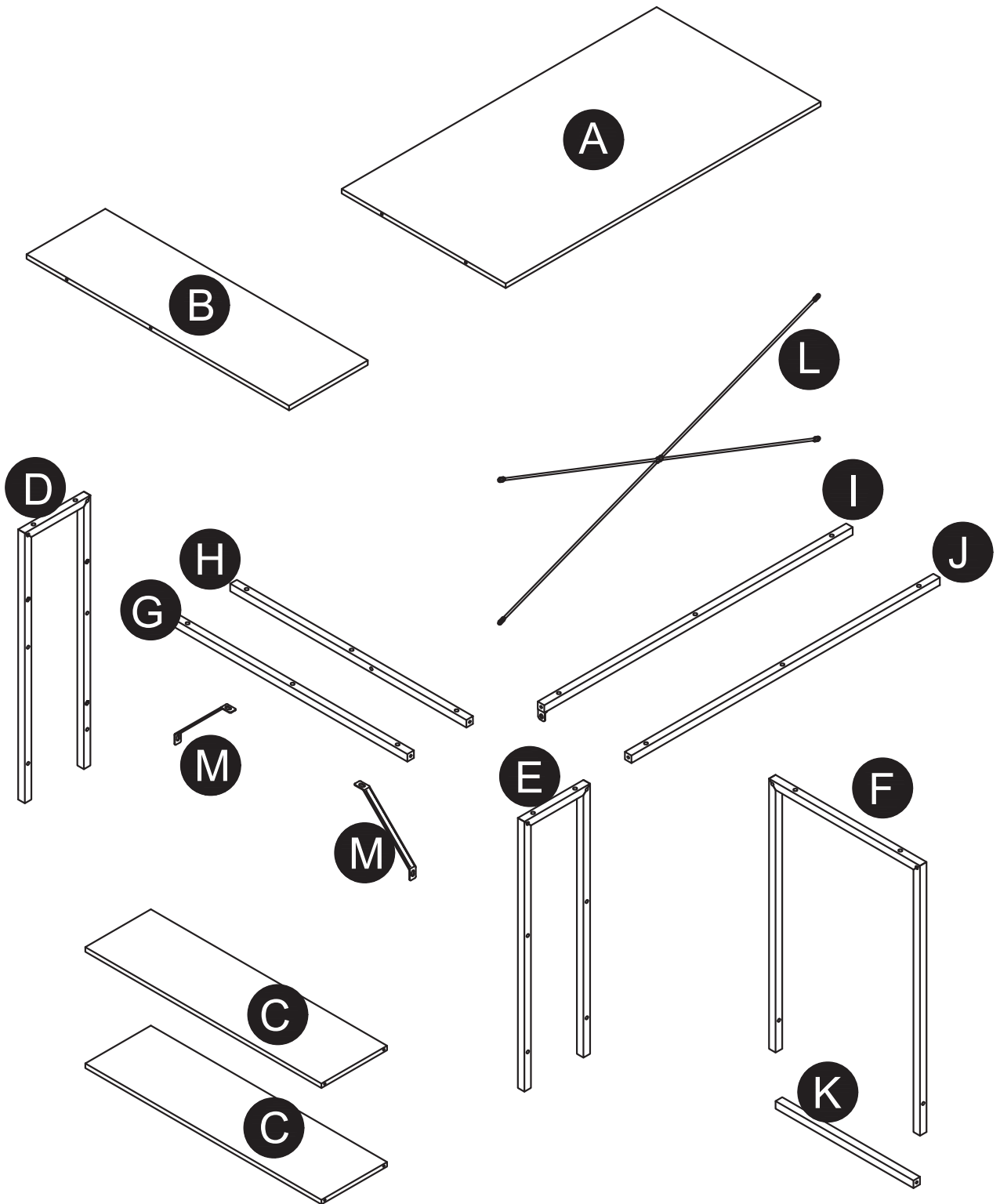
# **Escritorio en L**

**Manual de instrucciones**

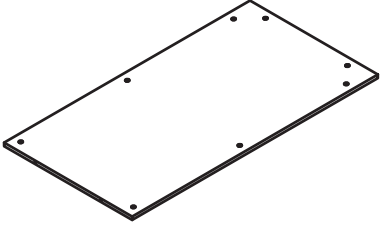
# **Bureau en L**

**Manuel d'Instruction**

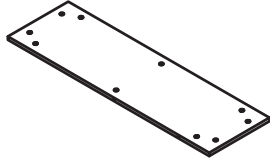




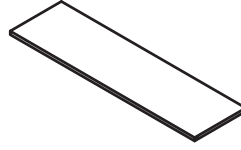
**A** X1



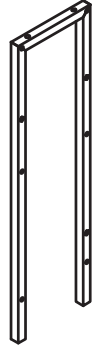
**B** X1



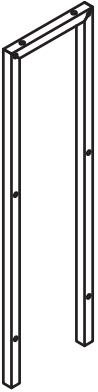
**C** X2



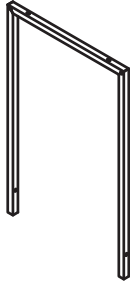
**D** X1



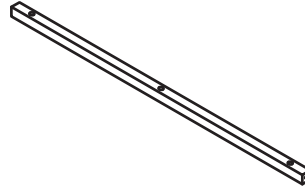
**E** X1



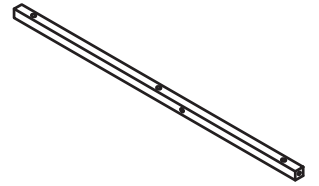
**F** X1



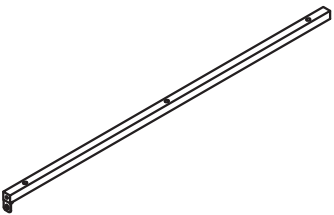
**G** X1



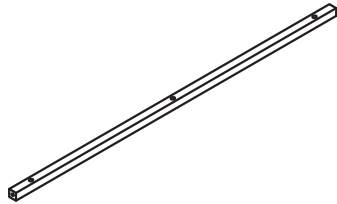
**H** X1



**I** X1



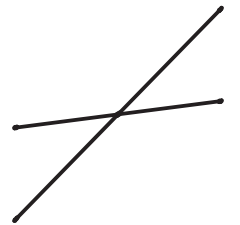
**J** X1



**K** X1



**L** X1



**M** X2



**1** X27



M6\*28mm

**2** X9



M6\*10mm

**3** X8



M6\*50mm

**4** X2

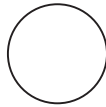


Φ6\*40mm

**5** X6



**6** X2



**7** X1



3

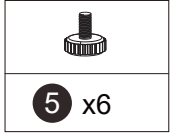
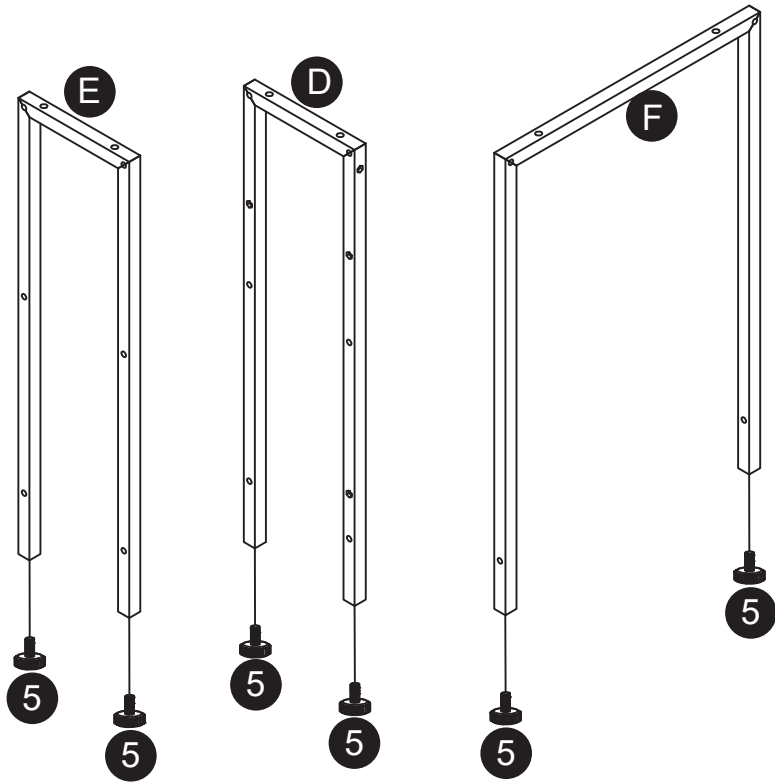
EN:

ES:

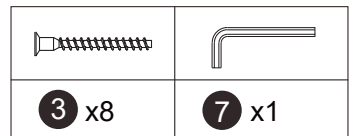
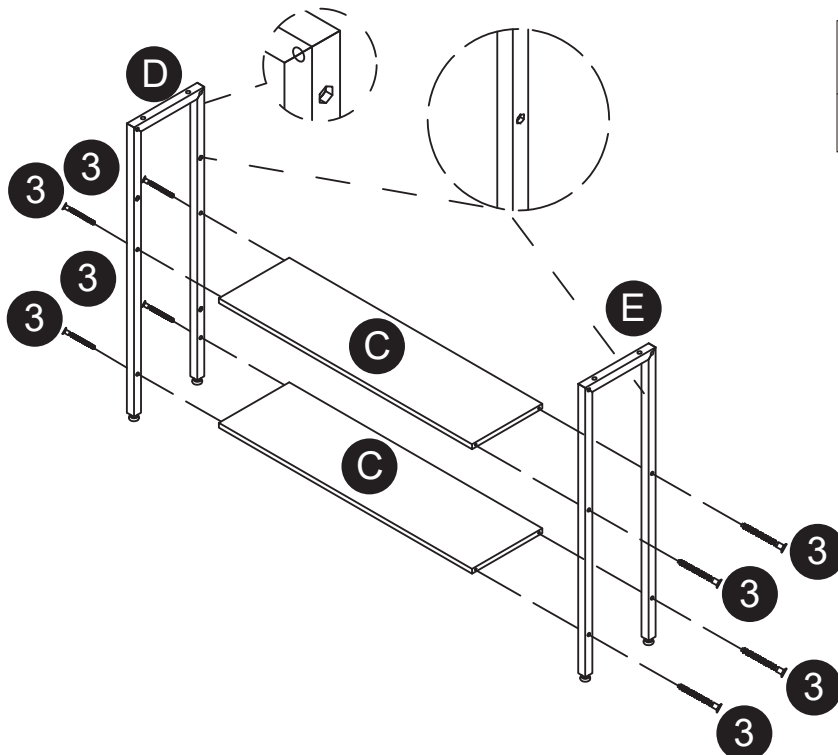
FR:

# Option / Opción / Option ①

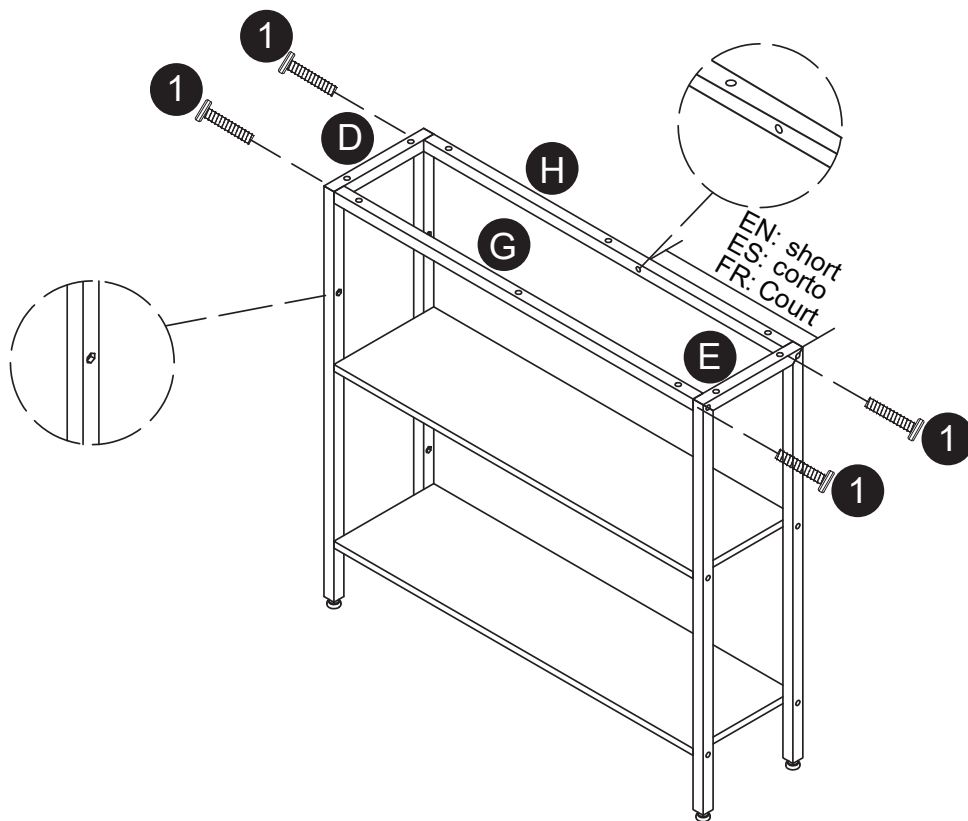
## Step 1





## Step 2

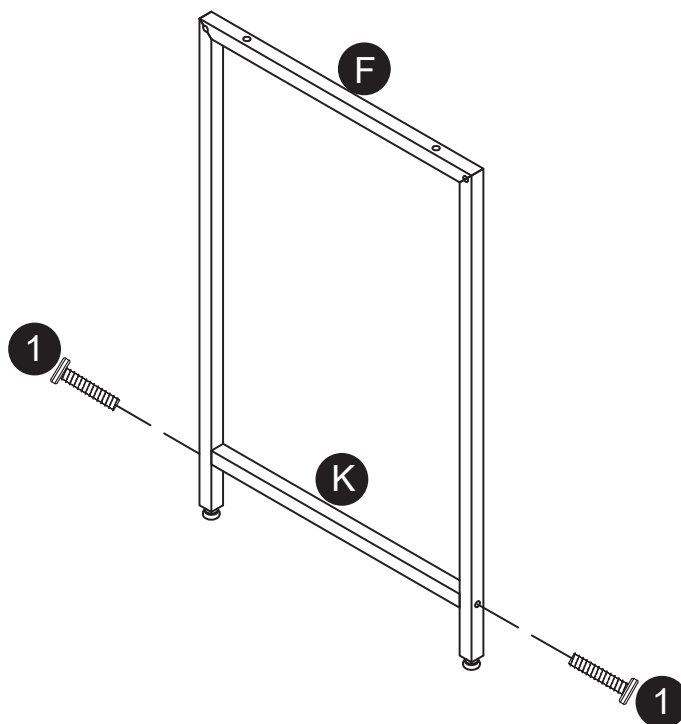




# Step 3



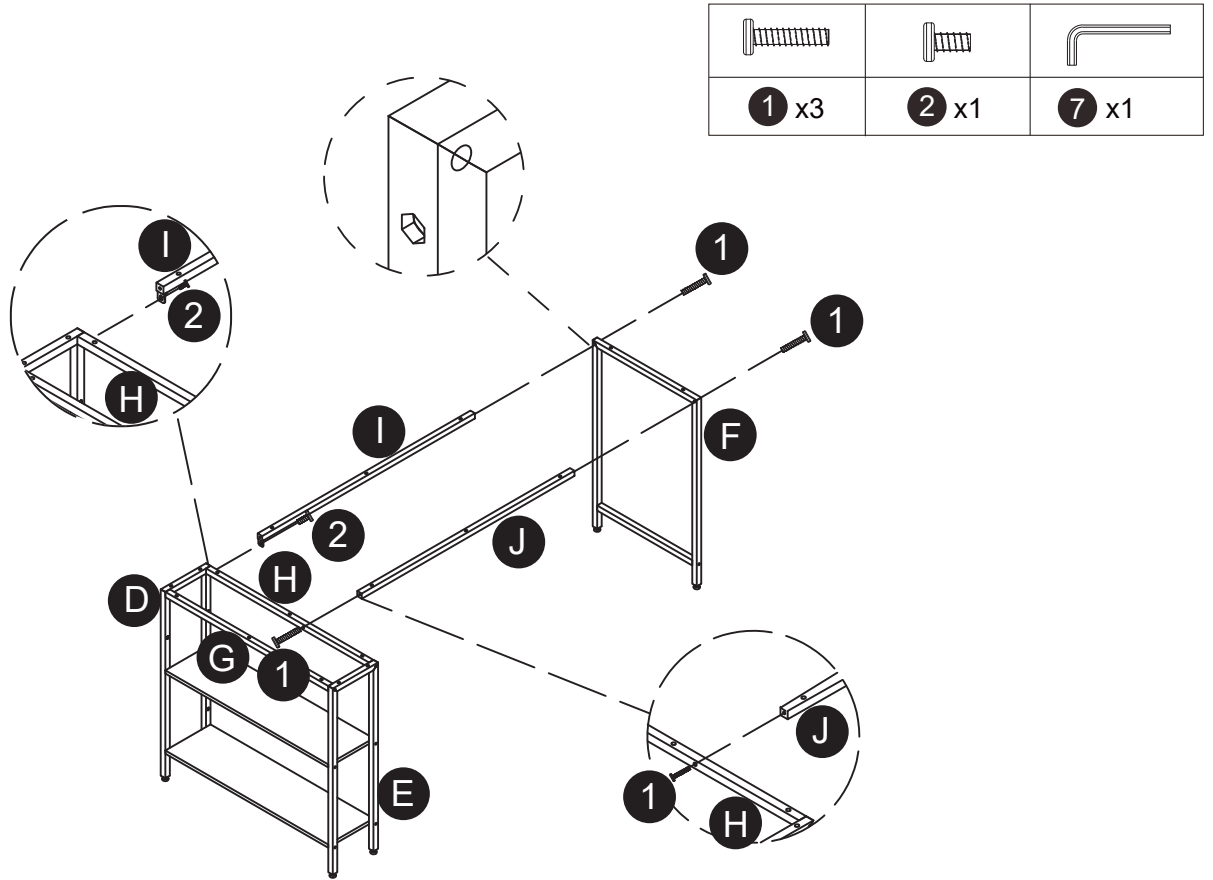
	
1 x4	7 x1

# Step 4

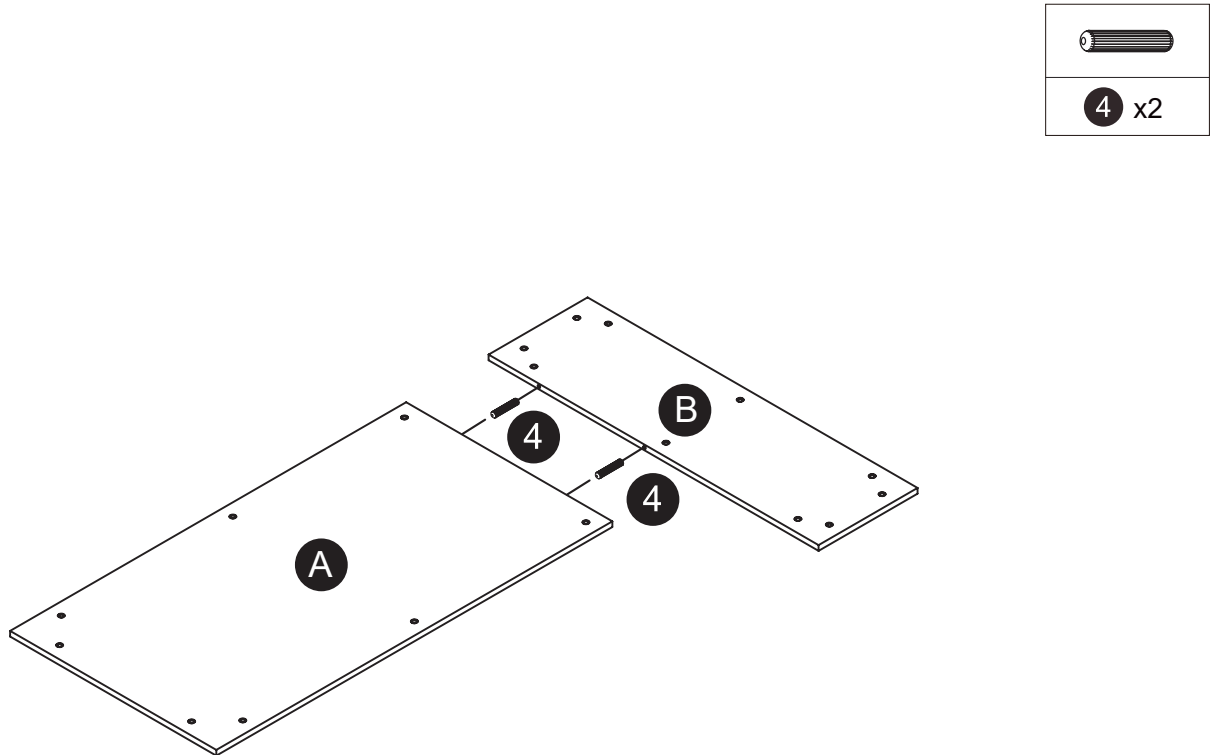


	
1 x2	7 x1



# Step 5

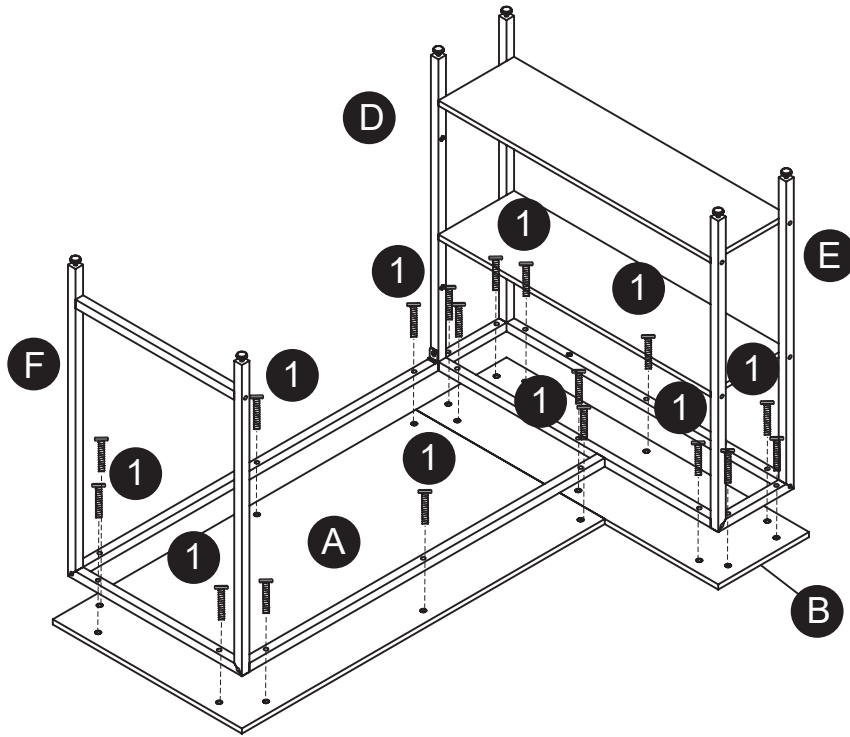


# Step 6

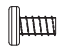



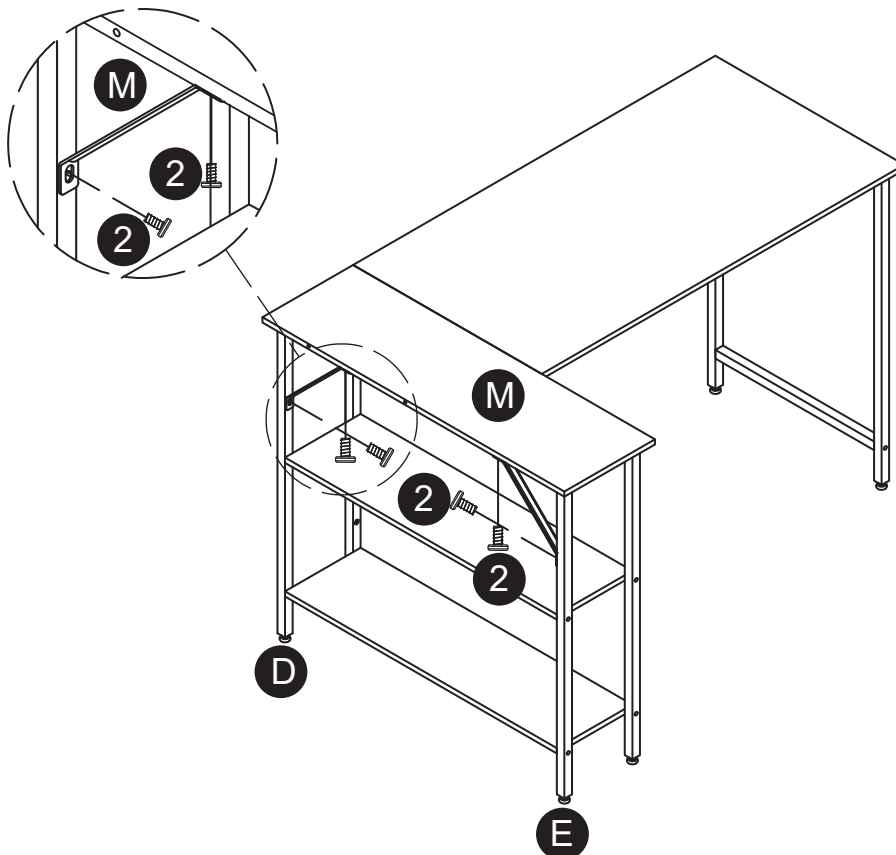
# Step 7

	
<b>1</b> x18	<b>7</b> x1



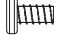

# Step 8

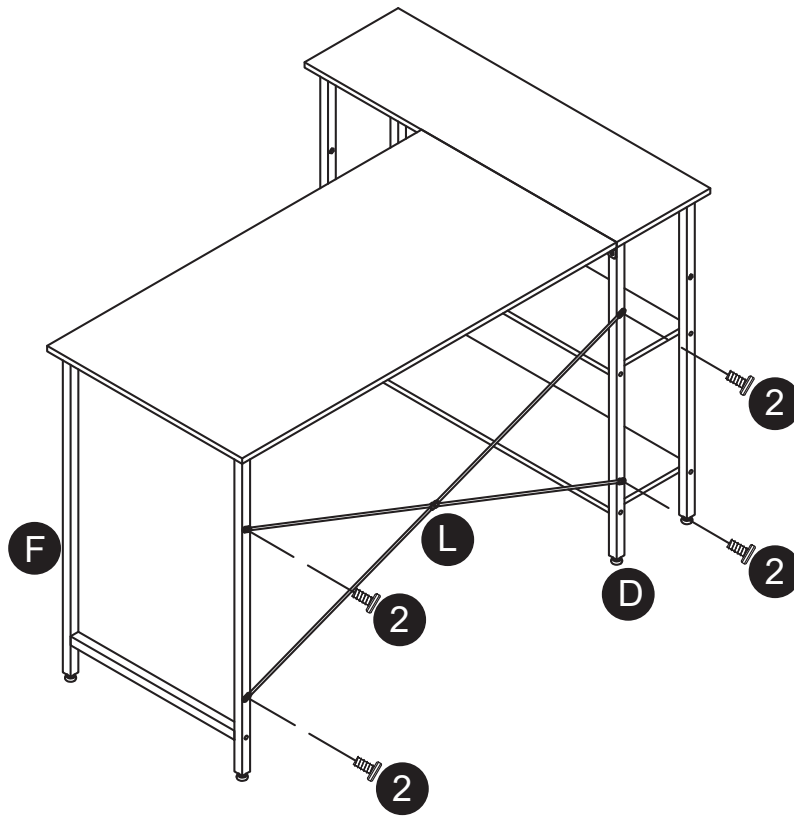
	
<b>2</b> x4	<b>7</b> x1



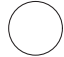


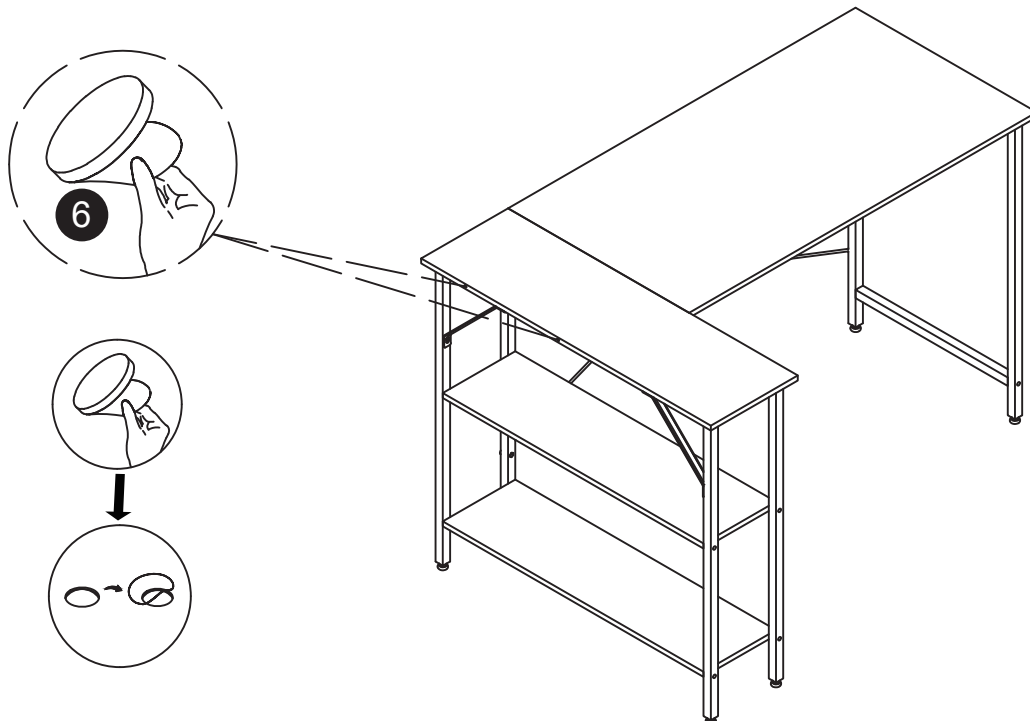
# Step 9

	
<b>2</b> x4	<b>7</b> x1



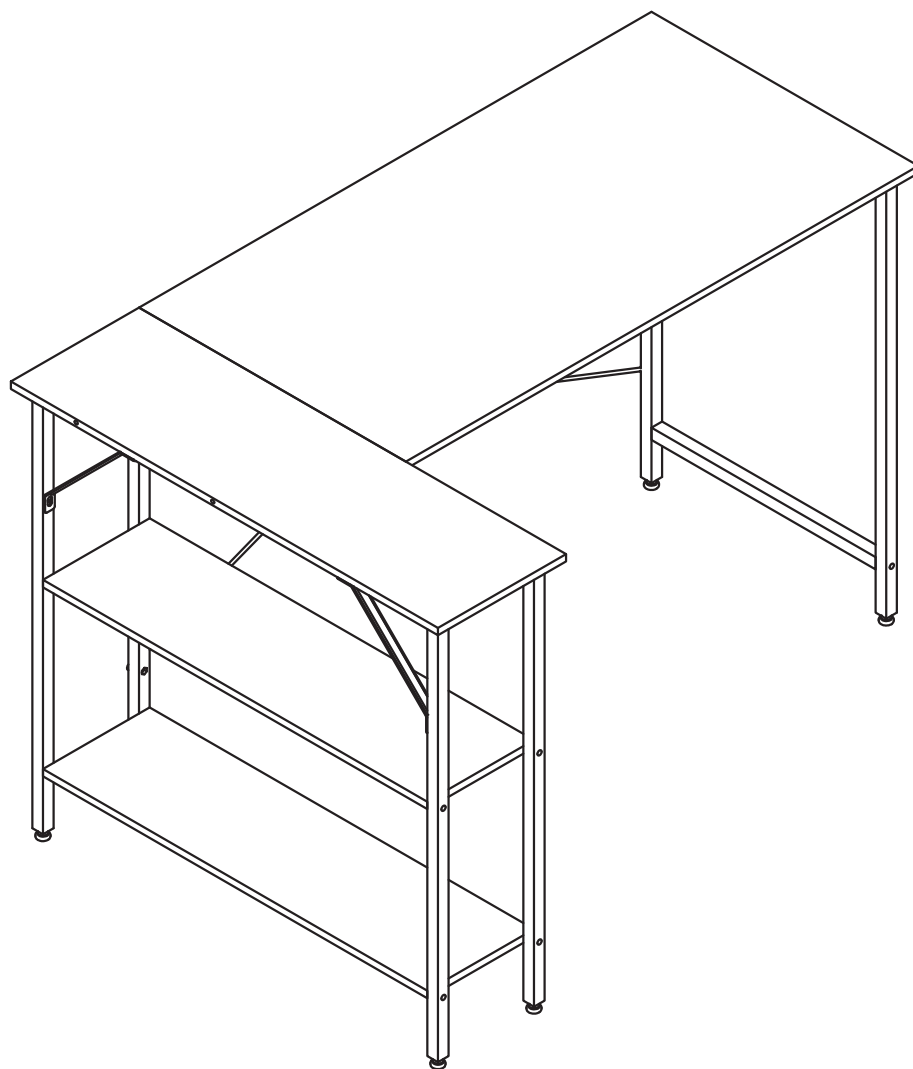
# Step 10


<b>6</b> x2

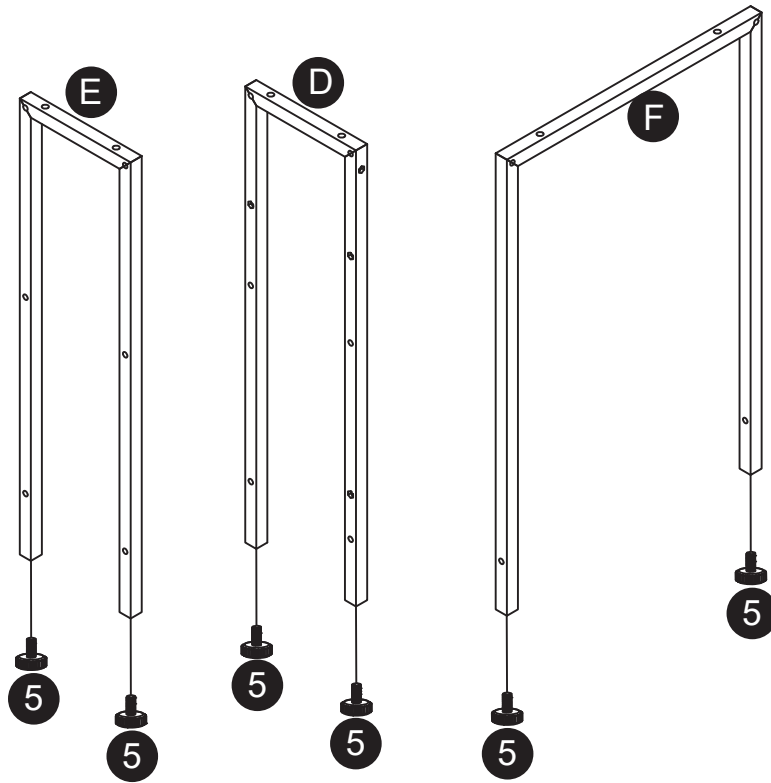


# Step 11

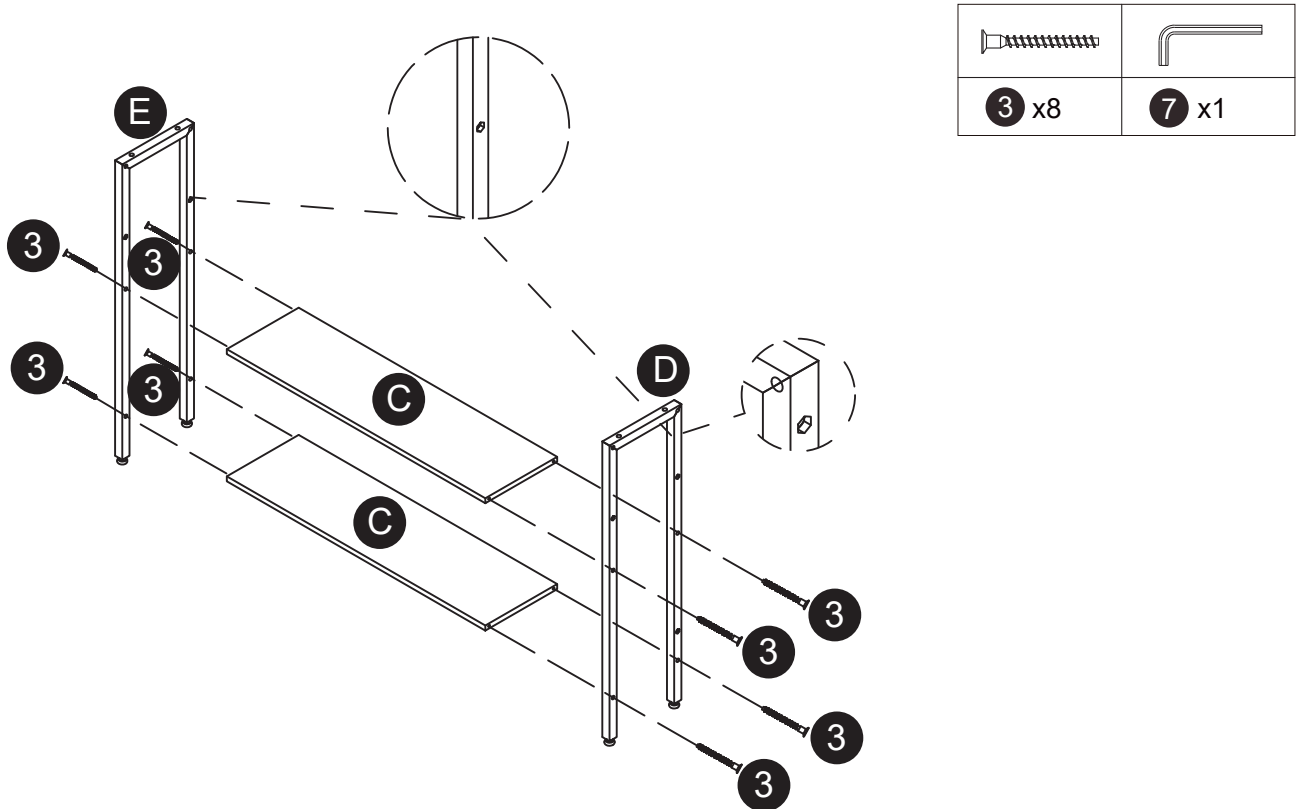
---



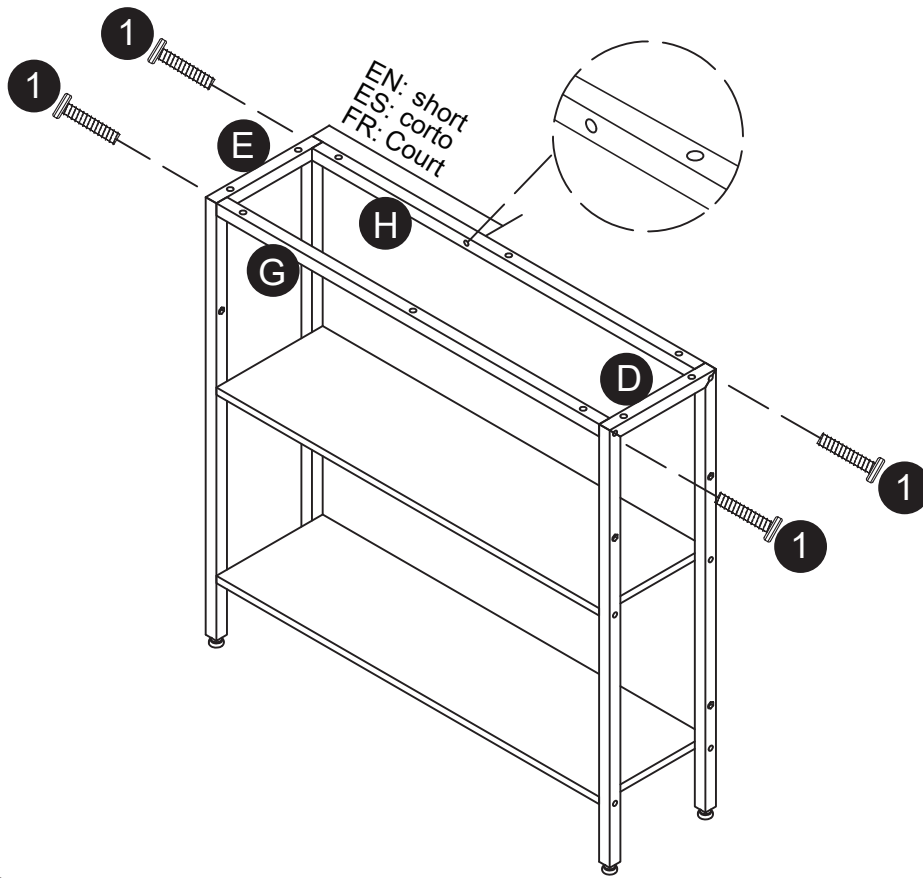
**Step 1**



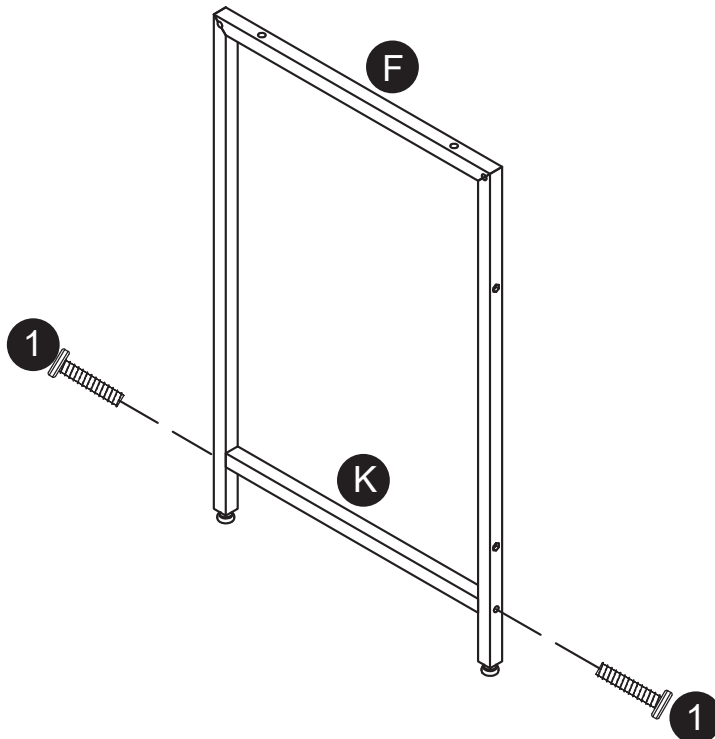
**Step 2**



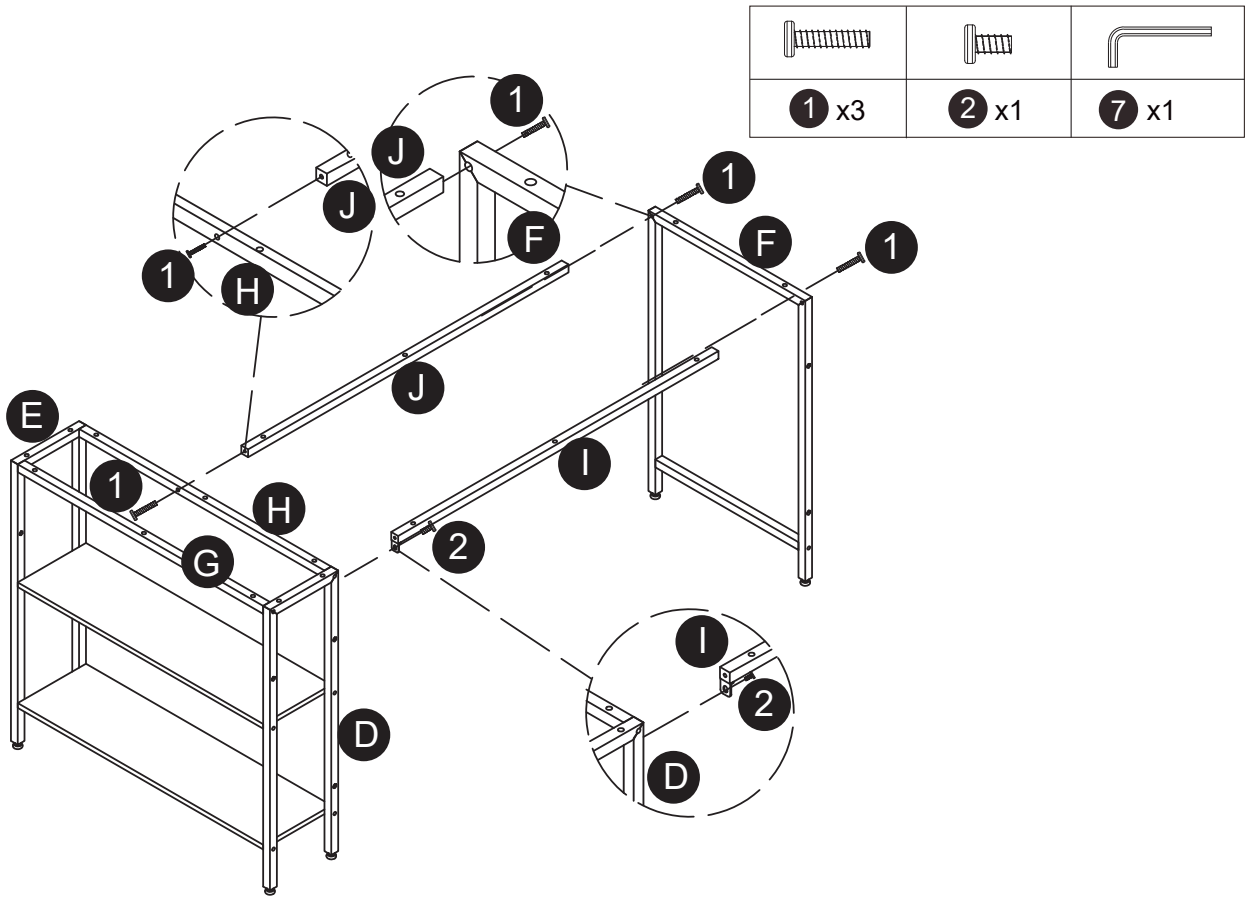
# Step 3



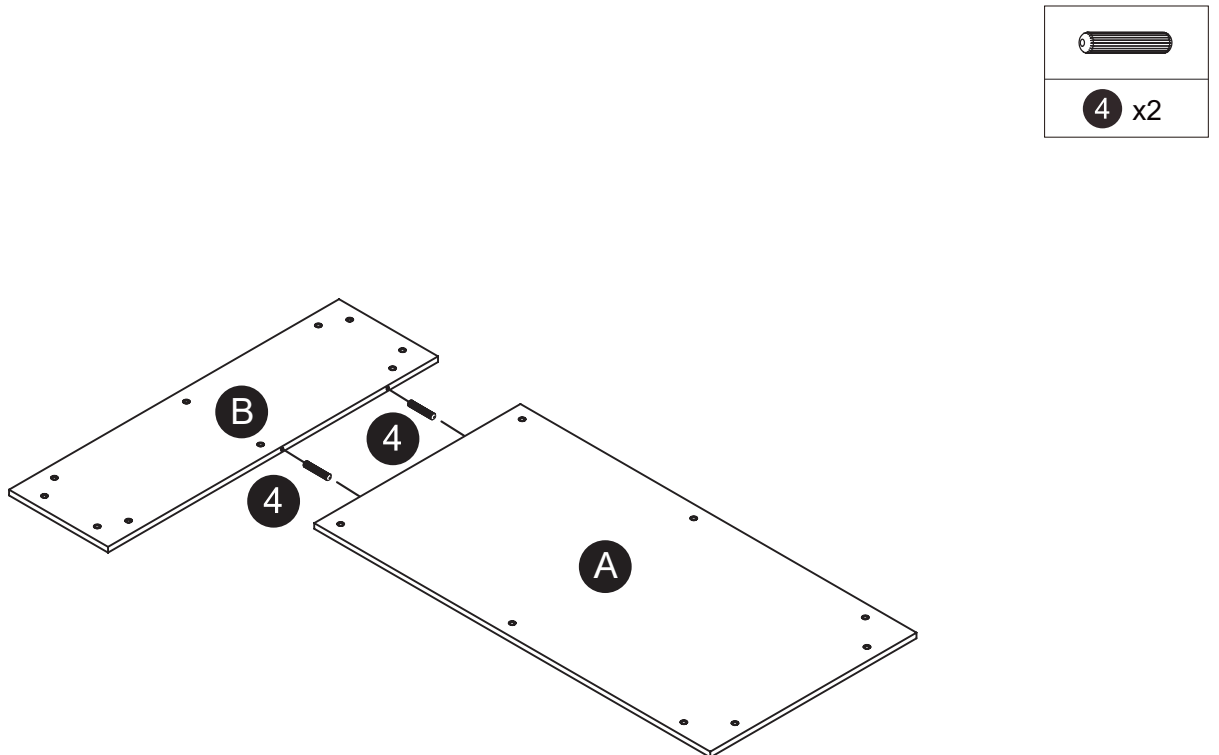
# Step 4





# Step 5

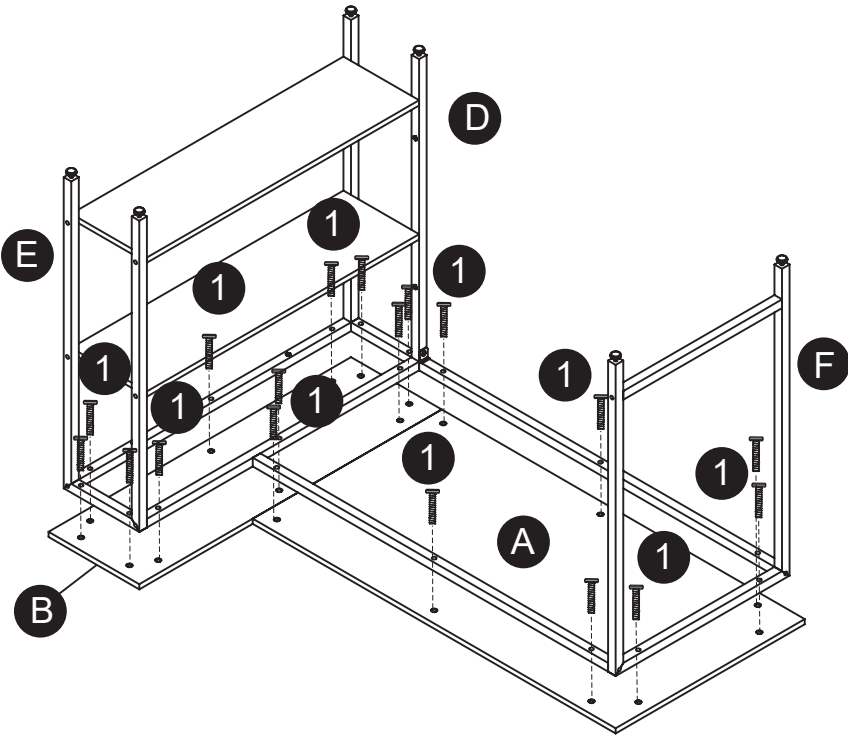


# Step 6

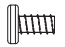



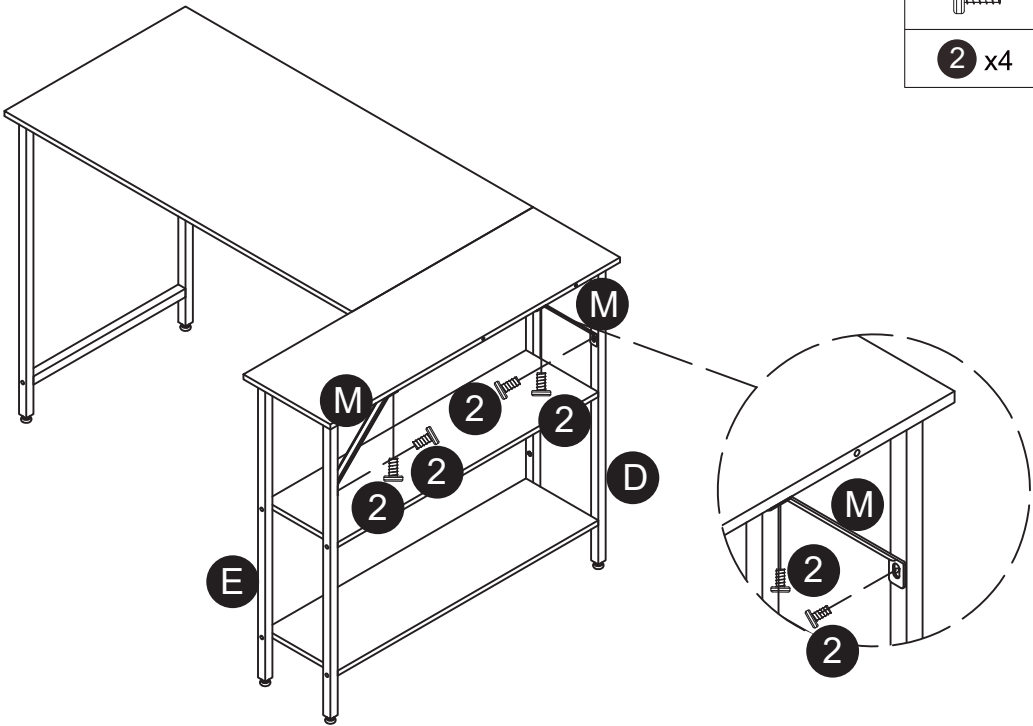
# Step 7

	
<b>1</b> x18	<b>7</b> x1

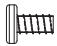



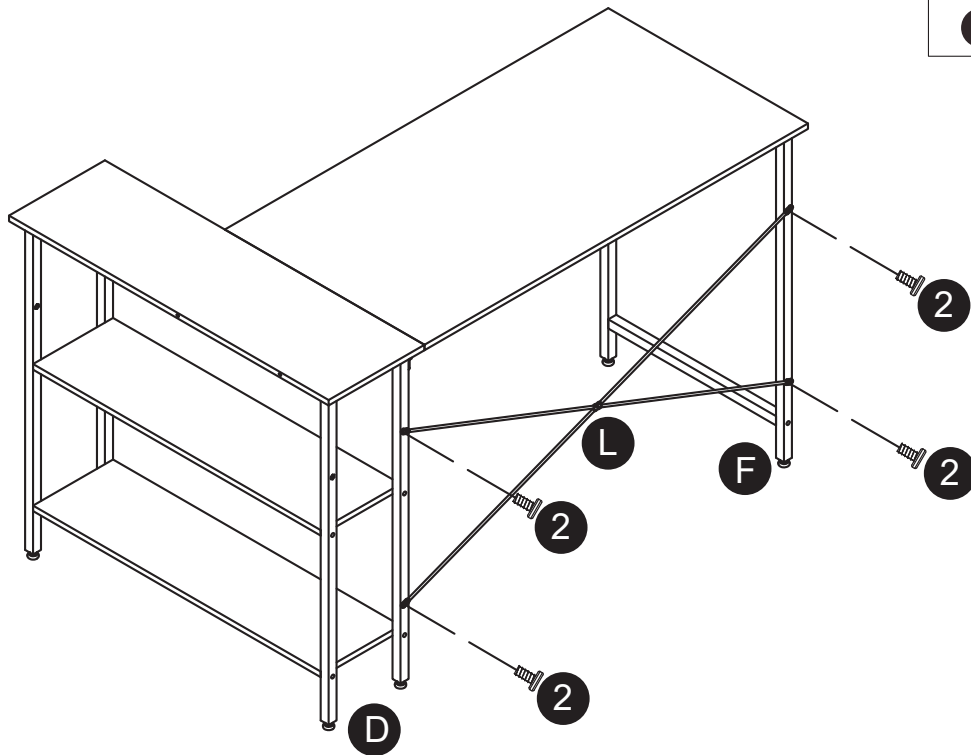
# Step 8

	
<b>2</b> x4	<b>7</b> x1

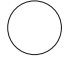


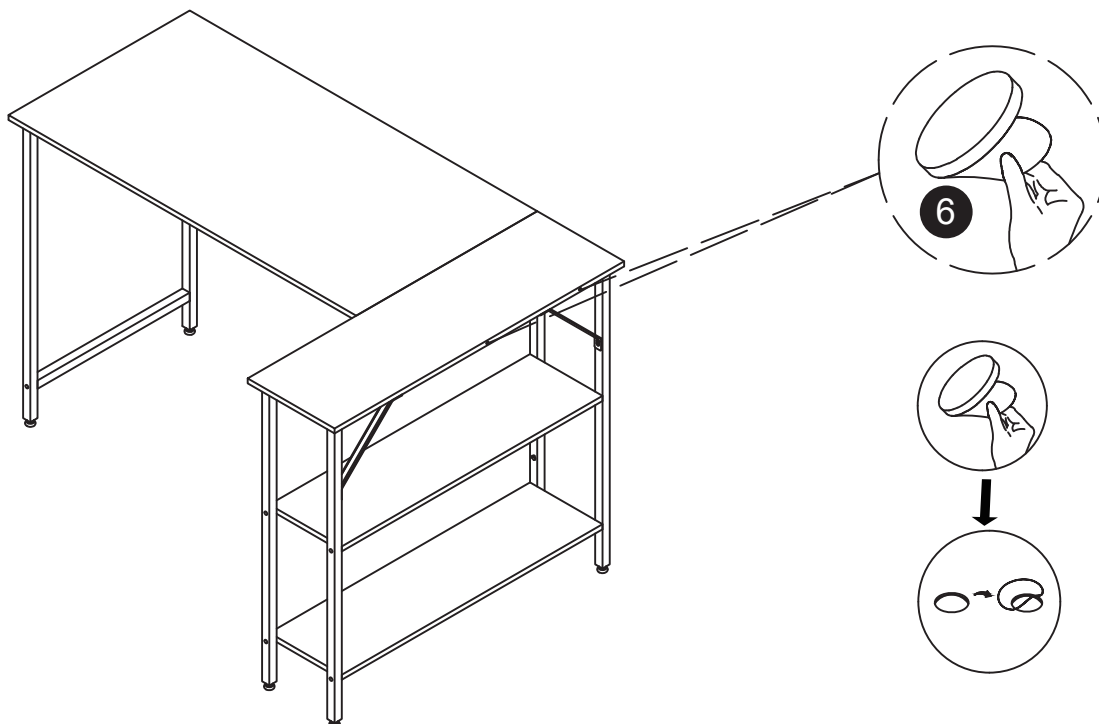
# Step 9

	
<b>2</b> x4	<b>7</b> x1



# Step 10


<b>6</b> x2



# Step 11

---

