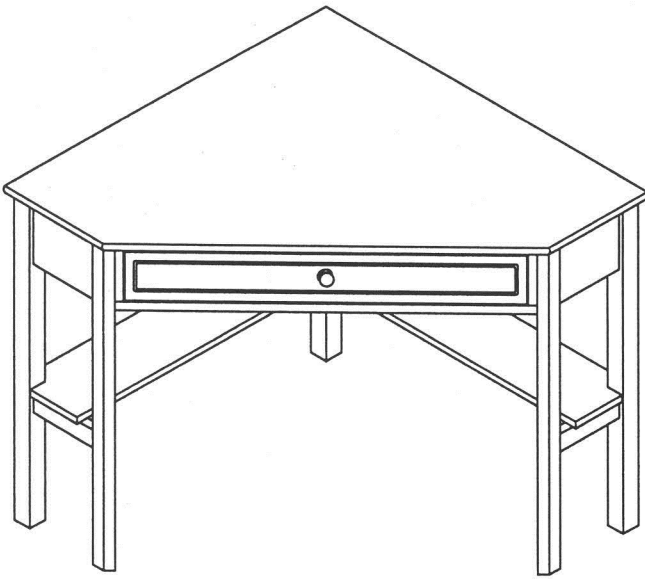

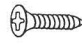














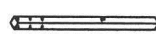










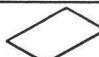

# ASSEMBLY INSTRUCTION OF CORNER DESK



## Hardware List

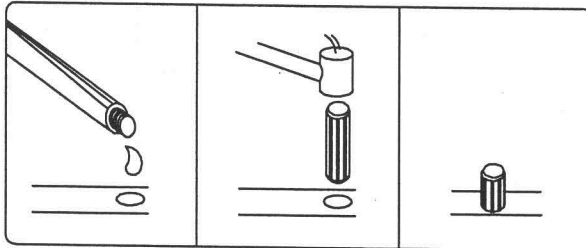
ITEM	DESCRIPTION	PART	QTY
A	Wooden Dowel ( $\Phi 8 \times 30\text{mm}$ )		14PCS
B	screw ( $\Phi 4 \times 25\text{mm}$ )		12PCS
C	Flat washer ( $\Phi 16 \times 1\text{mm}$ )		12PCS
D	Cam lock ( $\Phi 15 \times 12\text{mm}$ )		2PCS
E	Camlock Bolt ( $\Phi 6 \times 72\text{mm}$ )		1PC
F	Bolt ( $\Phi 1/4 \times 30\text{mm}$ )		22PCS
G	handle ( $\Phi 25 \times 20\text{mm}$ )		1PC
H	Handle bolt ( $\Phi 4 \times 20\text{mm}$ )		1PC
I	Plastic drawer glide		1PC
J	screw ( $\Phi 3 \times 12\text{mm}$ )		4PCS
K	Allen key 115*30mm		1PC
L	Glue		1PC

## Part List

ITEM	DESCRIPTION	PART	QTY
1	Right side frame (747*260*49mm)		1PC
2	Left side frame (747*260*49mm)		1PC
3	Leg (747*40*40mm)		1PC
4	Right Apron (656*149*33mm)		1PC
5	Cross bar (656*30*20mm)		1PC
6	Front frame (642*149*28mm)		1PC
7	Long shelf (732*160*15mm)		1PC
8	Short shelf (572*160*15mm)		1PC
9	Wooden drawer glide (300*30*27mm)		1PC
10	Top panel (754*754*15mm)		1PC
11	Drawer front panel (612*119*24mm)		1PC
12	Drawer side wall (310*95*12mm)		2PCS
13	Drawer back panel (574*95*12mm)		1PC
14	Drawer bottom panel (297*585*3mm)		1PC
15	Left Apron (656*149*33mm)		1PC

# ASSEMBLY INSTRUCTION OF CORNER DESK

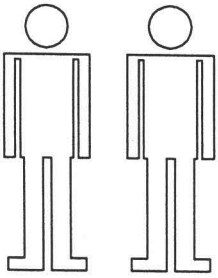
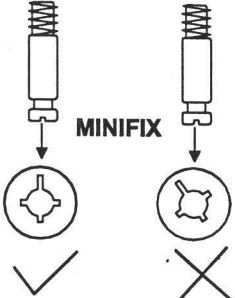
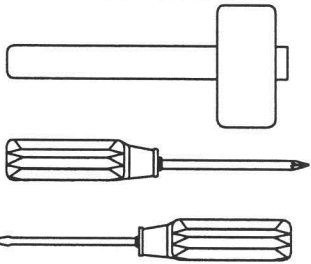
## Wooden dowel installation



APPLY GLUE INTO PRE-DRILLED HOLE,  
AND GENTLY TAP WOOD DOWEL INTO  
THE HOLE WITH RUBBER MALLET.

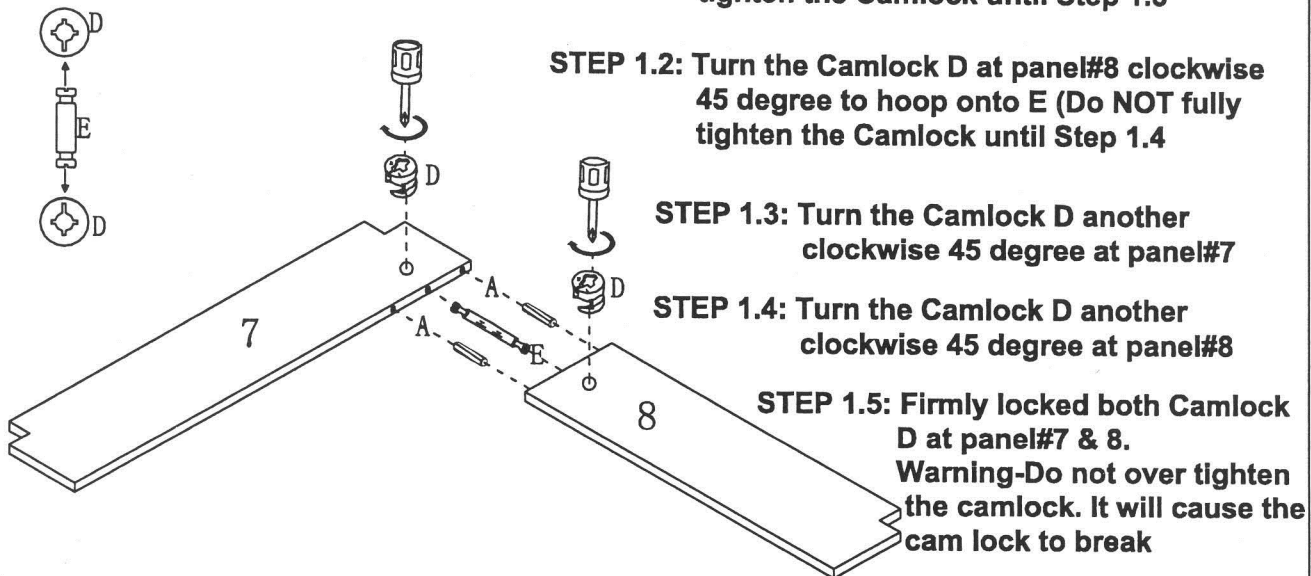
\*GLUE--DO NOT PUT IN MOUTH

- \* Before discarding packing materials, please check all parts and hardware are presented
- \* Please follow the instruction closely, don't tighten screws or bolts unless instructed
- \* After few days of initial assembly, the product may have acclimated to new environment, please tighten all hardware again
- \* Do not use power tool to assemble this desk.

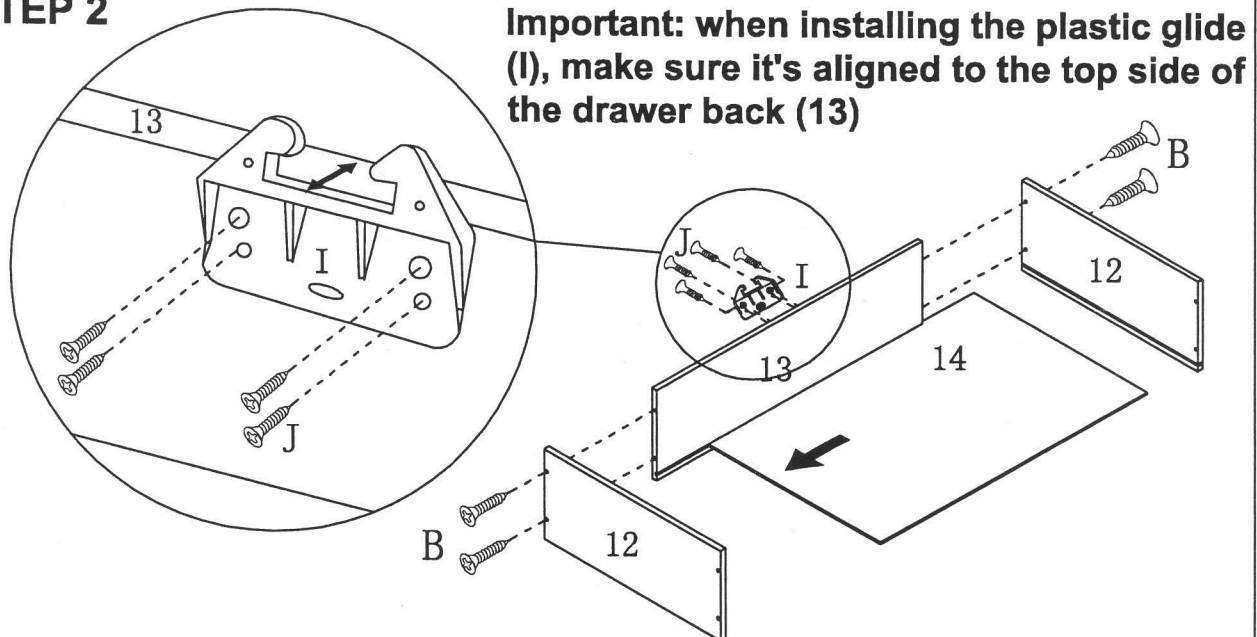
<p><b>TWO PERSONS REQUIRED</b></p> 	<p><b>WHEN FITTING CAMLOCKS</b></p>  <p>MINIFIX</p>	<p><b>TOOLS REQUIRED BUT NOT INCLUDED</b></p> 
--	--	---

# ASSEMBLY INSTRUCTION OF CORNER DESK

## STEP 1



## STEP 2



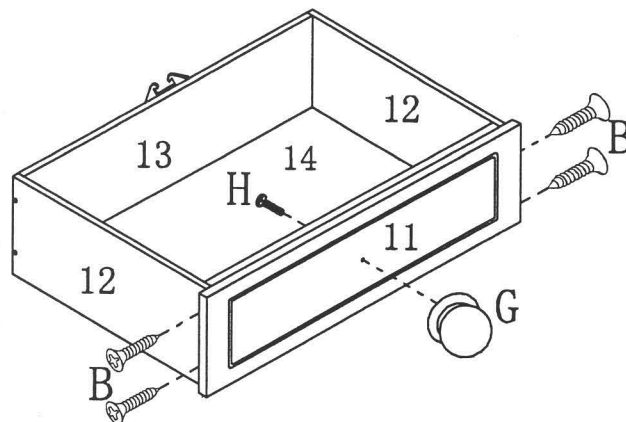
Assemble drawer plastic glide (I) to drawer backpanel (13) by using screw (J); Important: Please assemble screws on the TOP two holes then follow by the BOTTOM two holes.

Assemble drawer side walls (12), drawer backpanel (13) and drawer bottom panel (14) together by using screw (B). Tighten all screws

# ASSEMBLY INSTRUCTION OF CORNER DESK

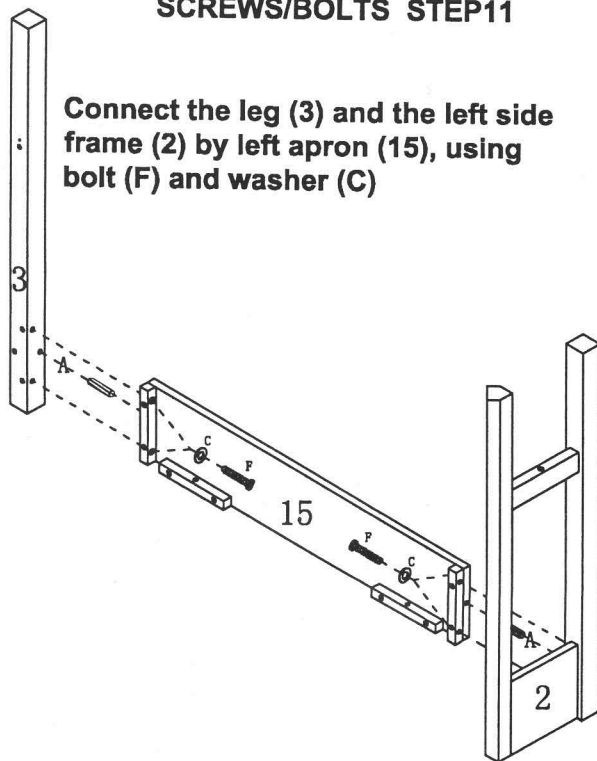
## STEP 3

Assemble drawer front panel (11) to drawer by using screw (B)  
 Assemble handle (G) to the drawer front panel (11) by using bolt (H). Tighten all bolts or screws



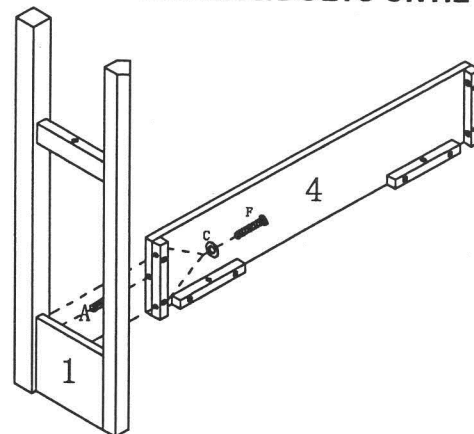
## STEP 4 DO NOT TIGHTEN SCREWS/BOLTS STEP11

Connect the leg (3) and the left side frame (2) by left apron (15), using bolt (F) and washer (C)



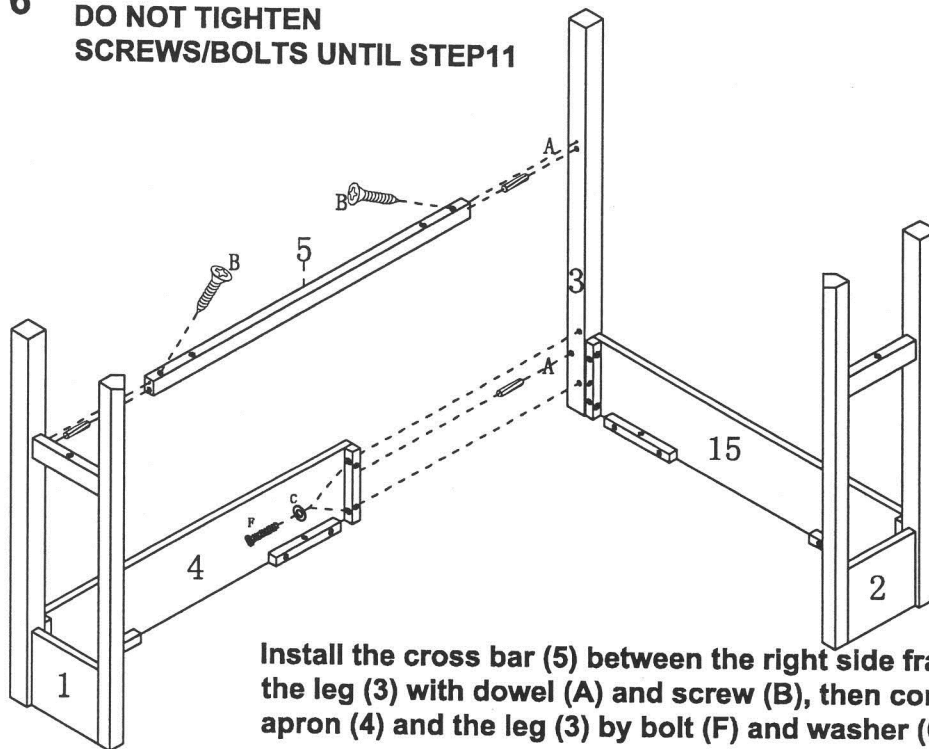
## STEP 5 DO NOT TIGHTEN SCREWS/BOLTS UNTIL STEP11

Joint the right side frame (1) and right apron (4) with bolt (F) and washer (C)



# ASSEMBLY INSTRUCTION OF CORNER DESK

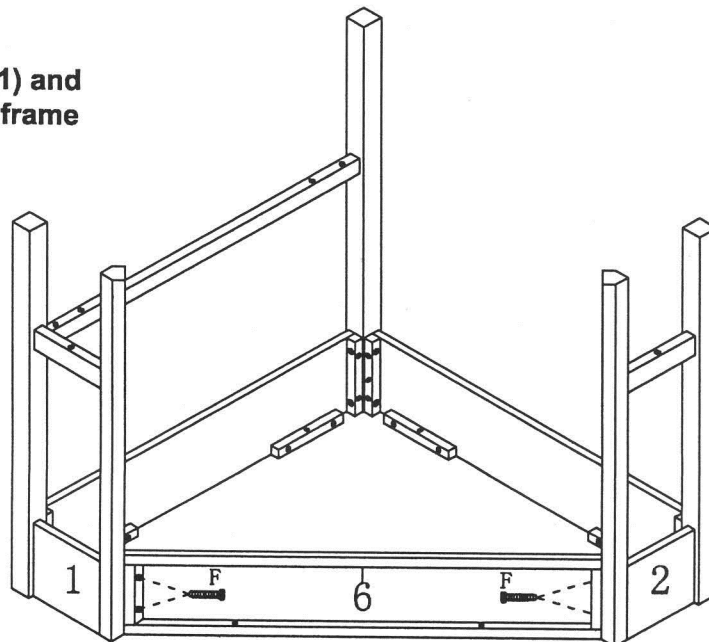
## STEP 6 DO NOT TIGHTEN SCREWS/BOLTS UNTIL STEP 11



Install the cross bar (5) between the right side frame (1) and the leg (3) with dowel (A) and screw (B), then connect the apron (4) and the leg (3) by bolt (F) and washer (C)

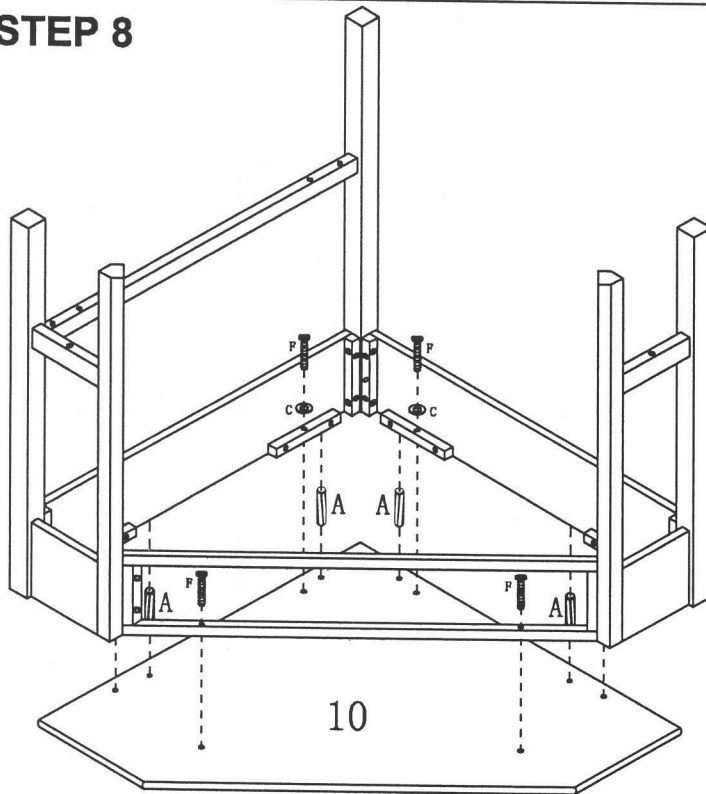
## STEP 7 DO NOT TIGHTEN SCREWS/BOLTS UNTIL STEP 11

Connect the right side frame (1) and left side frame (2) by the front frame (6), with bolt (F)



# ASSEMBLY INSTRUCTION OF CORNER DESK

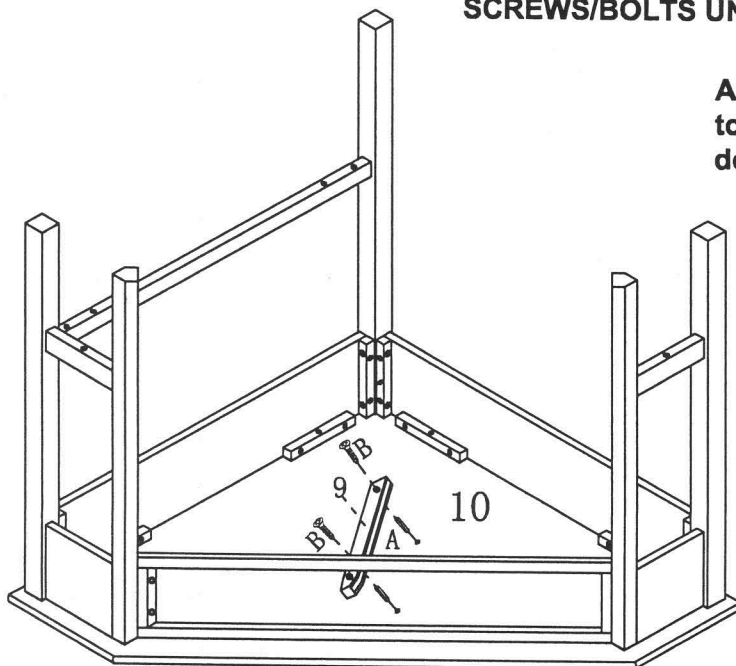
## STEP 8



**DO NOT TIGHTEN  
SCREWS/BOLTS UNTIL STEP11**

On a soft, clean surface, turn the top panel (10) upside down, then install the unit from step 7 to the top, with dowel (A), bolt (F) and washer (C)

## STEP 9



**DO NOT TIGHTEN  
SCREWS/BOLTS UNTIL STEP11**

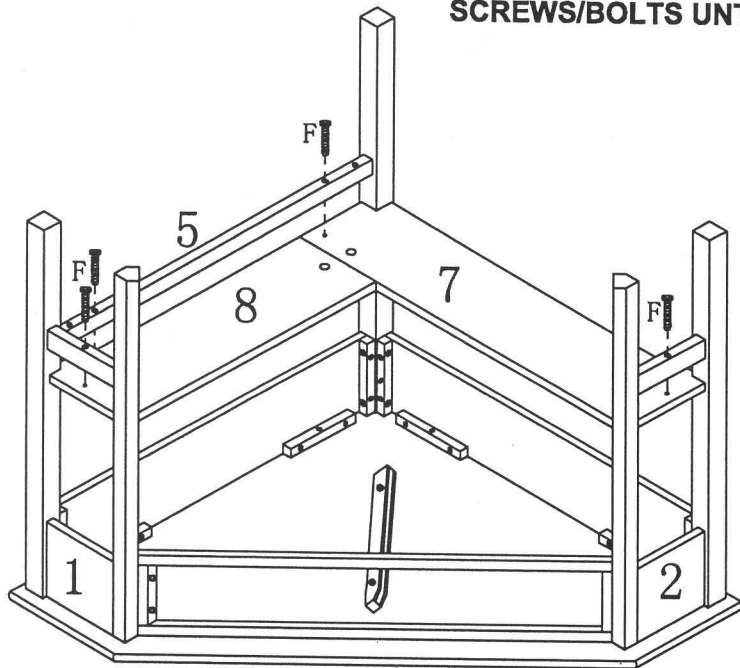
Attach the wooden drawer glide (9) to the back side of the top (10), with dowel (A) and screw (B)

# ASSEMBLY INSTRUCTION OF CORNER DESK

## STEP 10

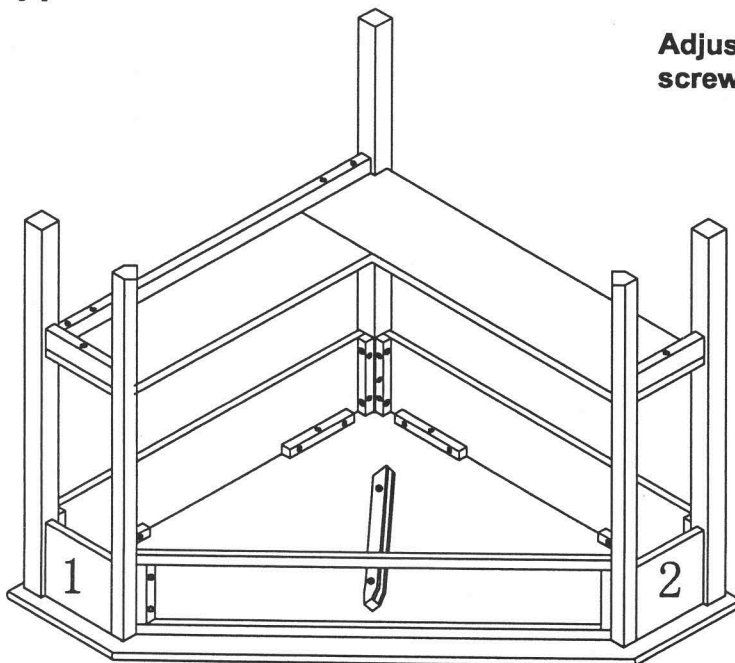
**DO NOT TIGHTEN  
SCREWS/BOLTS UNTIL STEP 11**

**Install the shelves (7 & 8) to the  
cross bar (5), left side frame (1) and  
right side frame (2) by bolt (F)**



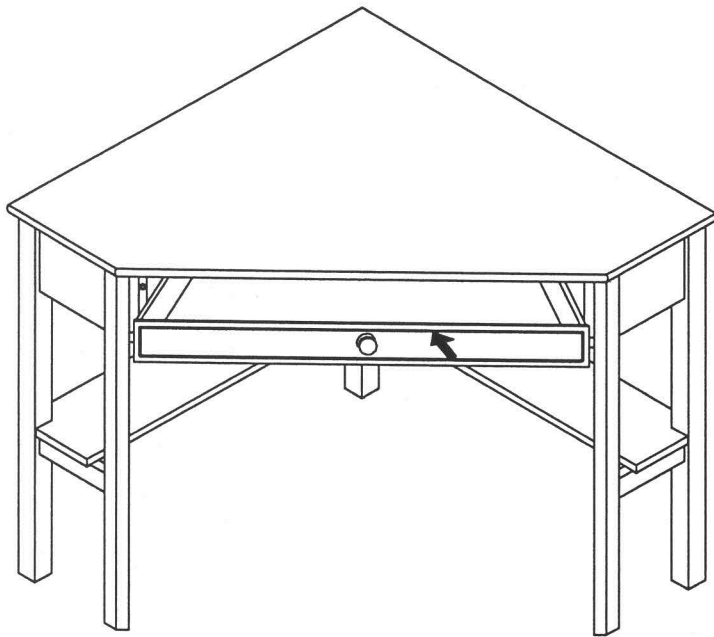
## STEP 11

**Adjust alignment & tighten all  
screws and bolts.**



# ASSEMBLY INSTRUCTION OF CORNER DESK

## STEP 12



Slide the drawer at an angle to fix to wooden drawer glide (9).

## STEP 13

