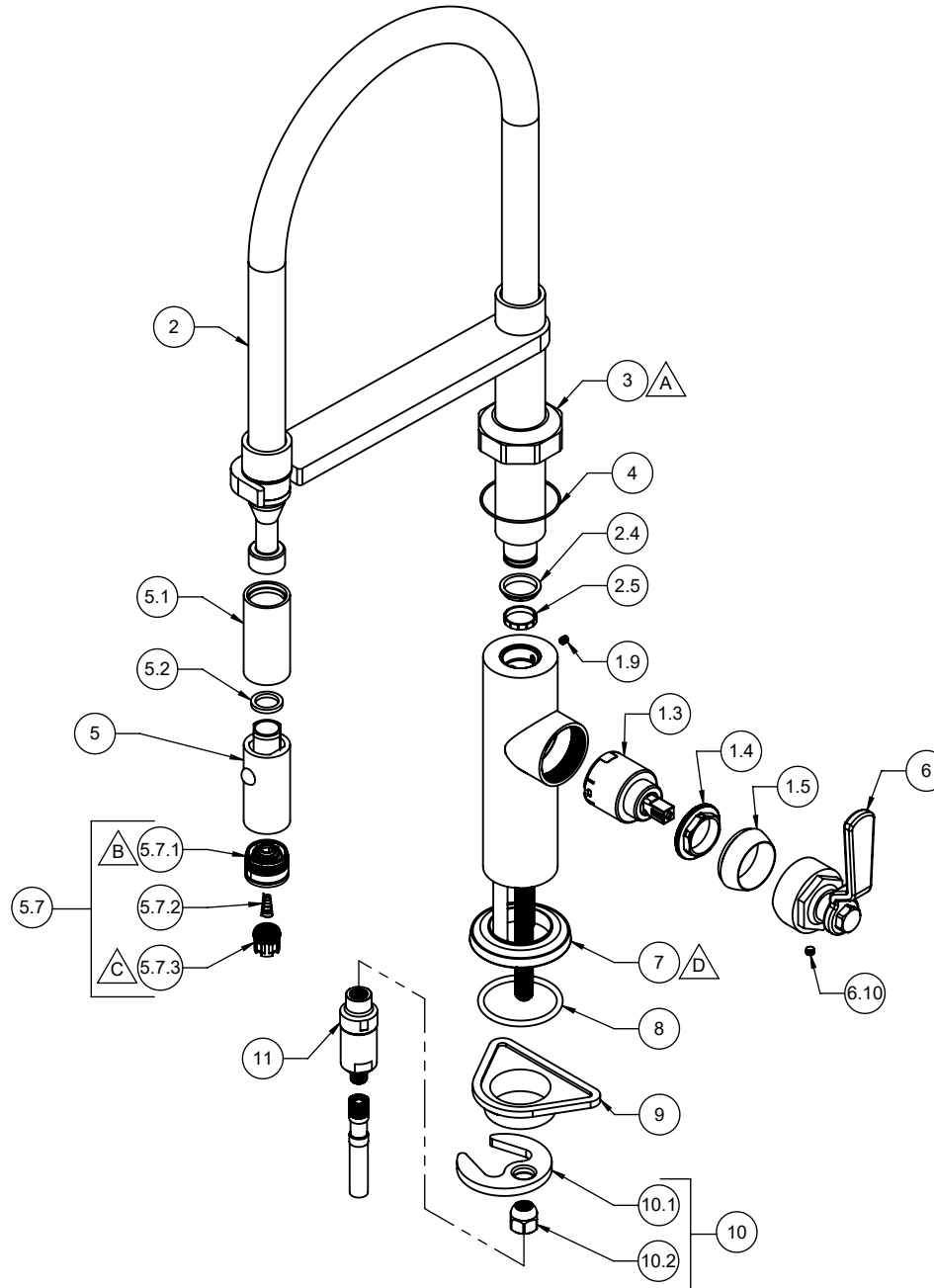


- △ REQUIRES ITEM 4
- △ REQUIRES ITEM 15
- △ REQUIRES ITEM 14
- △ REQUIRES ITEM 8



To order spare parts add and/or replace as stated below:

**SPD-** prefix added to part number(s)

**-ZZ** replaced with finish code (see finish table)

**-WW** replaced with **-90** (light finish) or **-96** (dark finish)

Ex: **SPD-7-100362-PC** or **SPD-86030-96**

ITEM	PART NO.	DESCRIPTION	QTY.	
9	880325-81	SPACER, SINGLE HOLE MOUNTING	1	
10	6-200246	KIT, KITCHEN/H2O DISP MNT HDW <i>(incl. 10.1, 10.2)</i>	1	
10.1	880309-98	MOUNTING BRACKET, SINGLE HOLE CRESCENT	1	
10.2	10552-98	NUT, HEX W/ DOME 7/16-24	1	
11	6-200262	KIT, KITCHEN FAUCET CHECKVALVE - 1.85 GPM FLOW	1	
14	880317-81	TOOL, AERATOR INSERT	1	
for ITEM 5.7.1	15	880333-91	KEY, ALLEN 7.0MM, BLACK	1
for ITEM 1.9	16	882042-99	KEY, ALLEN, 5/64", BLACK	1
for ITEM 6.10	17	882043-99	KEY, ALLEN, 3/32", BLACK	1

ITEM	PART NO.	DESCRIPTION	QTY.
1.3	880297-99	CART 35MM, SNGL LVR (COLD TO HOT ROTATION)	1
1.4	10564-98	NUT, 35MM CART KIT PACKING	1
1.5	10565-ZZ	BONNET, STD KIT	1
1.9	86031-WW	SETSCREW 8-32 X 3/16 SCKT HD CUP PT SS	1
2	7-100345-ZZ	ASM, SPRING KIT ARM <i>(incl. 2.4, 2.5)</i>	1
2.4	10558-81	BUSHING, KIT SPT ADPTR	3
2.5	10557-81	FRICITION RING, KIT SPT ADPTR	1
3	10783-ZZ	TRIM, OCTAGON KIT BODY	1
4	87338-80	O-RING Ø46.00 X 1.20 (NA) BUNA-N A70	1
5	7-100346-ZZ	MAGNETIC SPRAYHEAD, Ø28MM PULL DN W/SLEEVE <i>(incl. 5.1, 5.2, 5.7)</i>	1
5.1	10618-ZZ	SLEEVE, KIT CONT SPRAYER	1
5.2	87156-80	WSHR Ø14.20 X Ø19.20 X 2.50MM BUNA-N (NSF-61-12)	1
5.7	6-200248	KIT, SPRAYER JET/AERATOR <i>(incl. 5.7.1, 5.7.2, 5.7.3)</i>	1
5.7.1	11311-81	FACEPLATE, PULL DOWN SPRAY G2	1
5.7.2	10535-90	SPRING, PULL DOWN SPRAY	1
5.7.3	880553-81	INSERT, AERATOR W/ M16 X 1.0, FULL FLOW	1
6	7-100551-ZZ	ASM, KIT BALL LEVER <i>(incl. 6.10)</i>	1
6.10	86047-90	SETSCREW 10-24 X 3/16 SCKT HD CONE PT SS	1
7	10781-ZZ	BASE RING, INDUSTRIAL KIT	1
8	87139-80	O-RING Ø44.04 X 3.53 (-224) BUNA-N A70	1