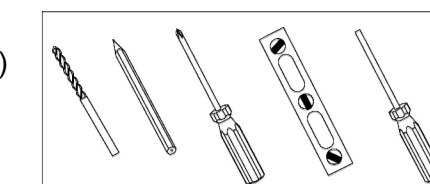




### Tools:

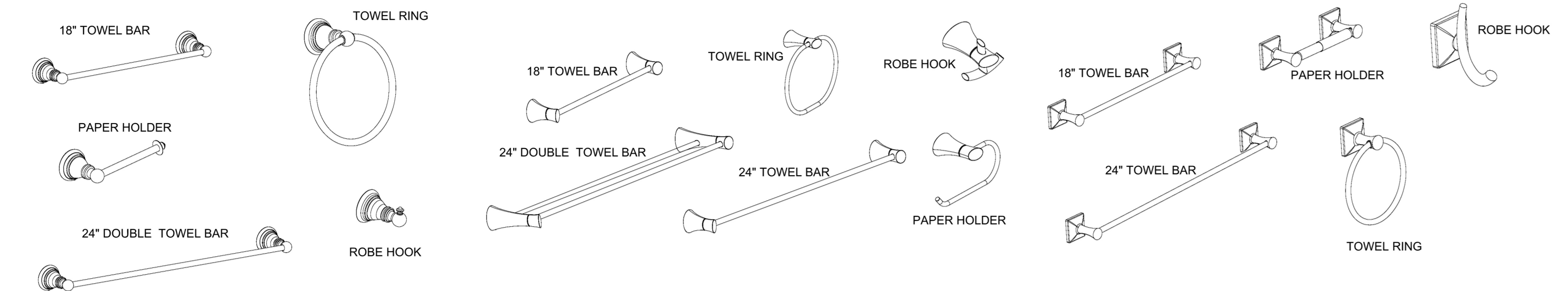
- Drill with 1/4" bit(for dry wall)
- Marking pencil
- Phillips screwdriver
- Level
- Flat head screwdriver



### Maintenance

Your new Bath Accessory is designed for years of trouble-free performance. Keep it looking new by cleaning it periodically with a soft cloth. Avoid abrasive cleaners, steel wool and harsh chemicals as these will dull the finish and void your warranty.

## Picture of Products



### Mounting Instructions

1. Position the mounting template on the wall in the desired location. Using a level, make sure the template is straight and secure in place.
  2. For drywall installation, drill 1/4" holes at the center of each "oral marked location".
  3. Remove the template from the wall and insert wall anchors into each drilled hole.
  4. Place the mounting bracket on the wall over the installed wall anchors. Insert screws through the mounting plate into the anchors. Tighten the screws with phillips screwdriver but do not over tighten.
- ROBE HOOK and TOWEL RING**
5. Assemble post over the mounting plate with the set screw facing down. Tighten the set screw to secure post to the plate with a small flat head screwdriver.
- TOWEL BAR and MIRROR**
6. Assemble the towel bar and posts. Place assembly over mounting plate with set screws facing down. Tighten both set screws to secure posts to the plates.
- TOILET PAPER HOLDER**
7. Assemble each post over the mounting plates with the set screw facing down. Tighten the set screws to secure post to the plate. Compress the paper holder bar and place into posts.

