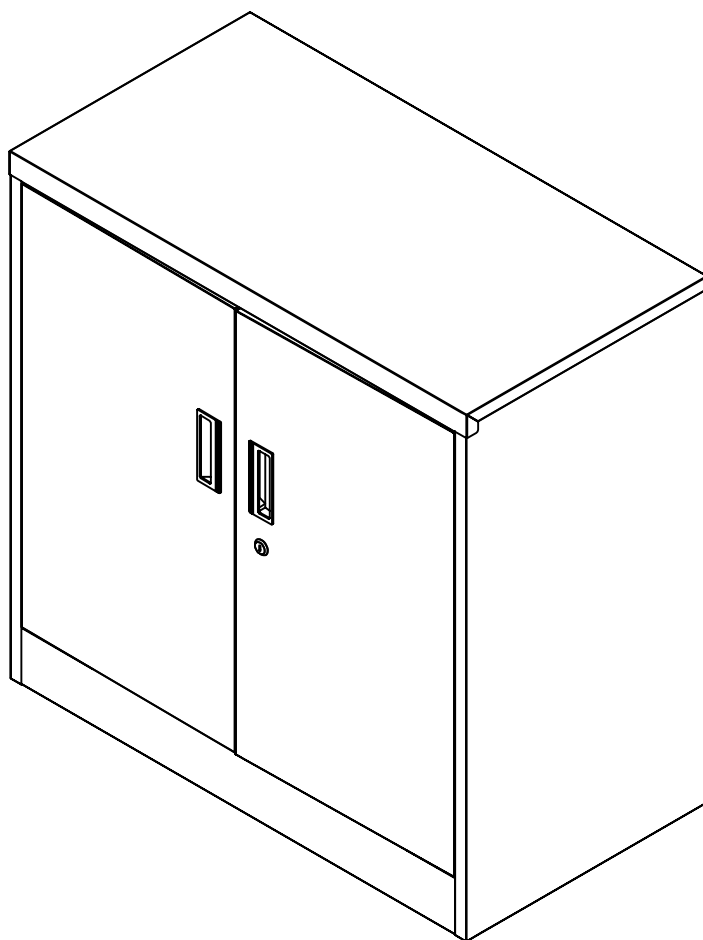
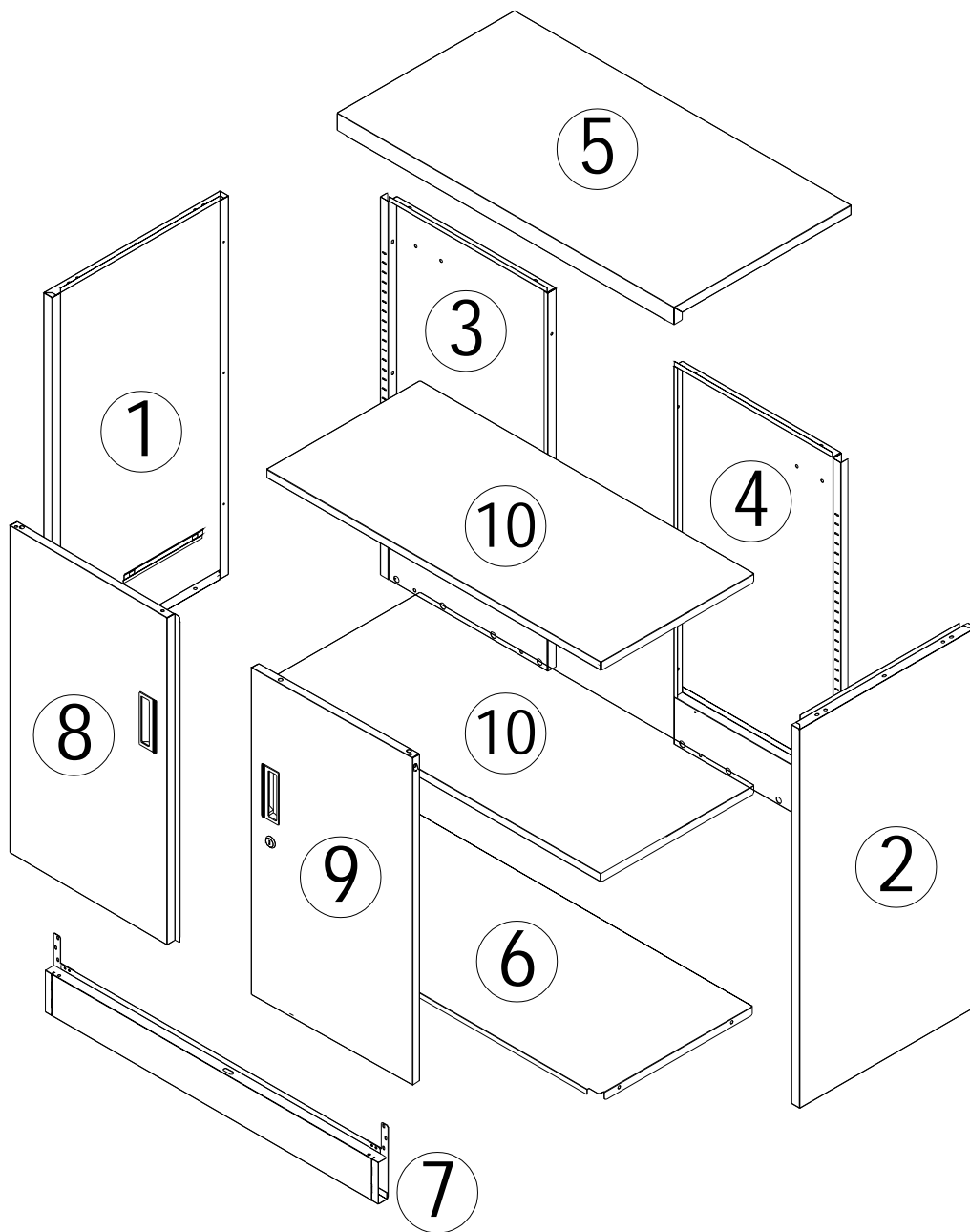
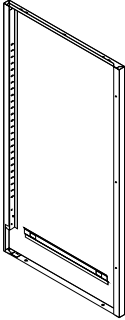
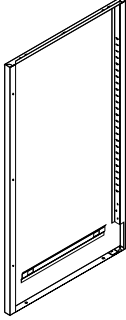
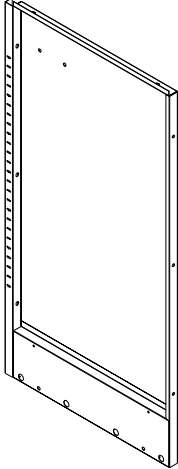
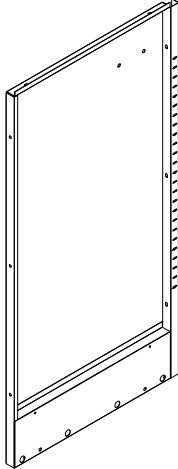
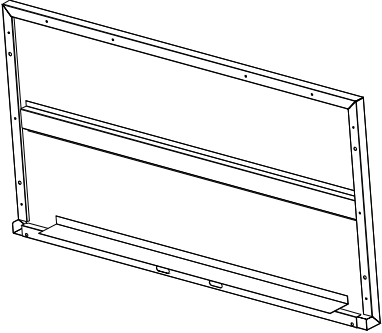
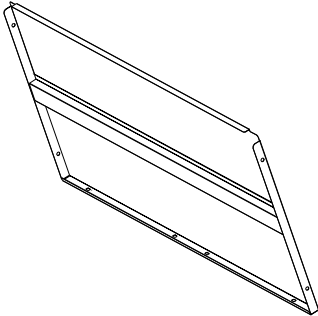


Assembly Instructions

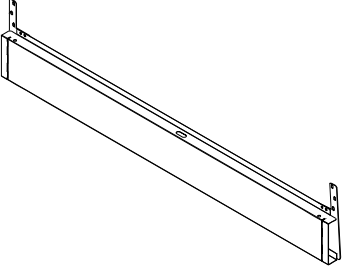
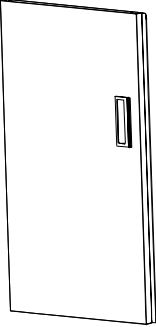
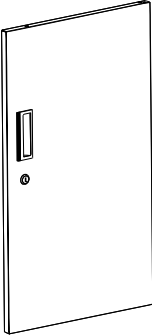
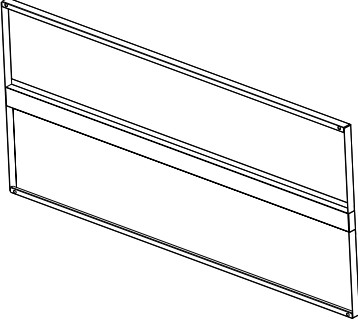


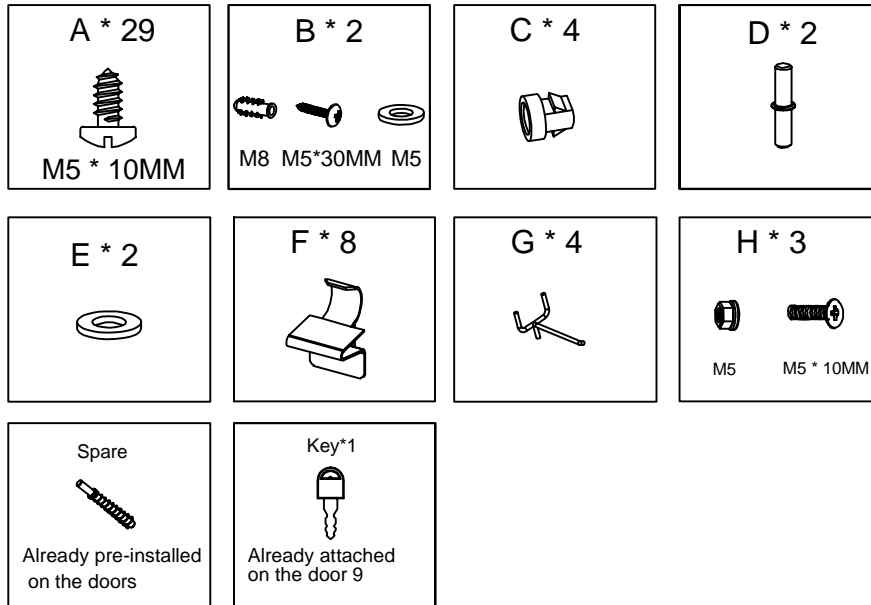


Accessories

1-Left side panel	1PC	2-Right side panel	1PC
			
3-Left back panel	1PC	4-Right back panel	1PC
			
5-Top panel	1PC	6-Bottom panel	1PC
			

Accessories

7-Kick plate	1PC	8-Left door	1PC
			
9-Right door	1PC	10-Shelf	2PCS
			



CAUTION

An assistant is required

CUSTOMER FIRST, SERVICE FOREMOST!

Questions? Issues?

CONTACT US

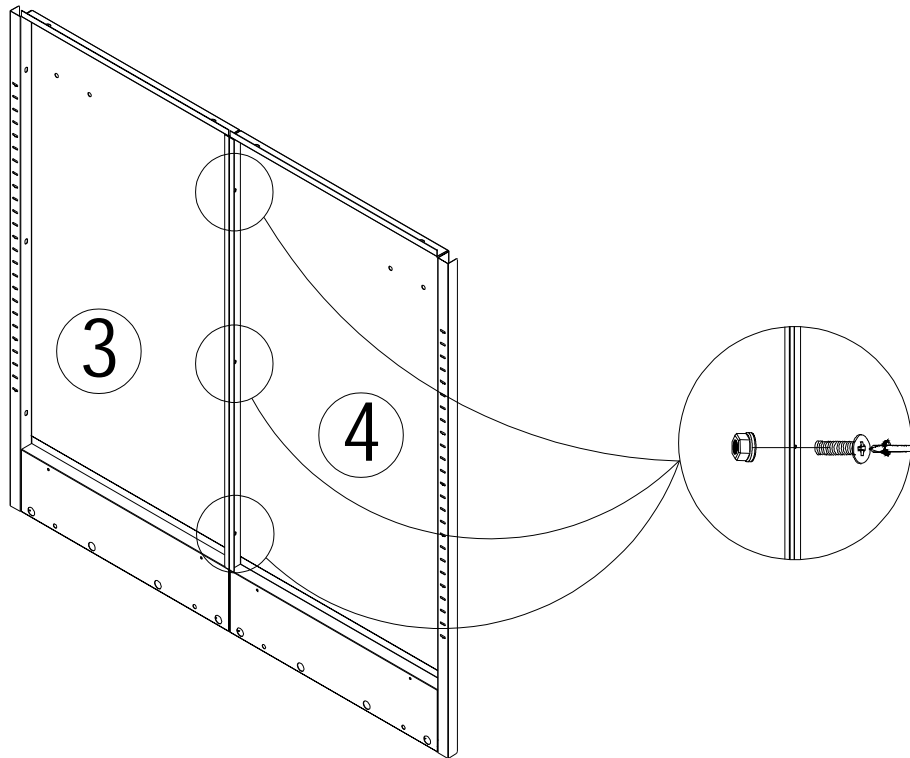
REPLY WITHIN 24 HOURS IN BUSINESS DAYS

H * 3



M5 M5 * 10MM

Step 1: Connect left back panel 3 and
right back panel 4 with 3 screws H

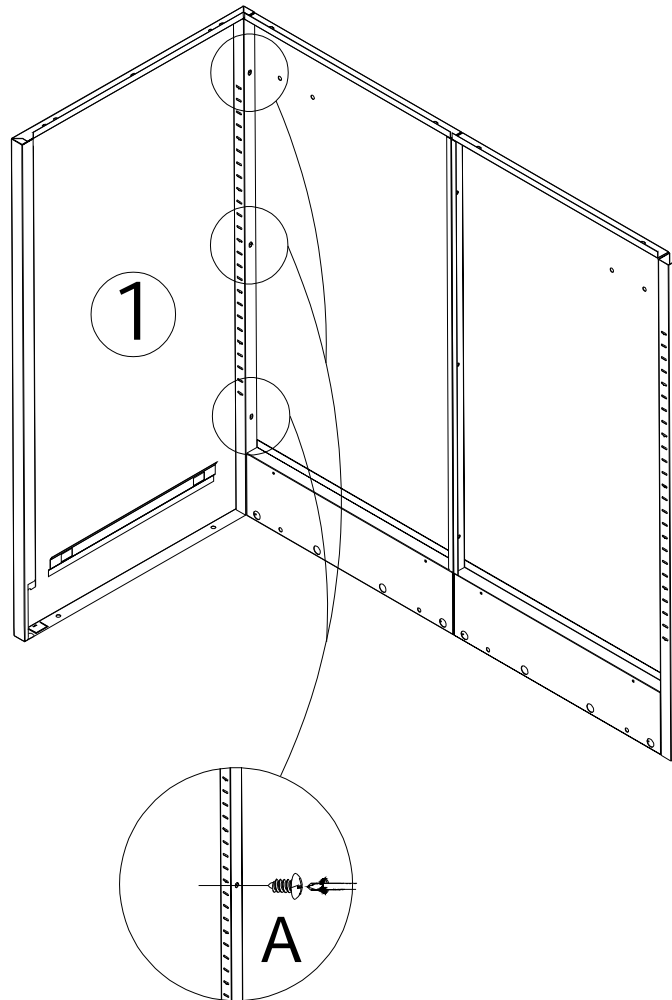


A *3



M5 * 10MM

Step 2: Connect left side panel 1 and
left back panel 3 with 3 screws A

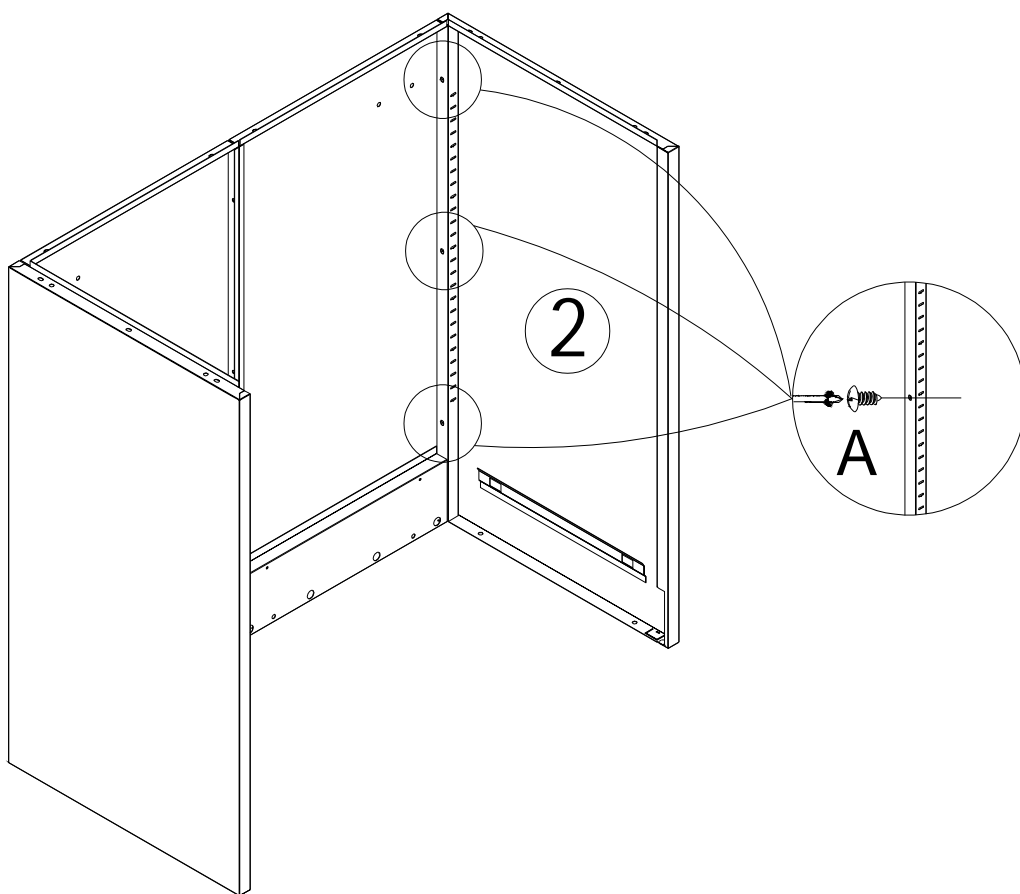


A*3

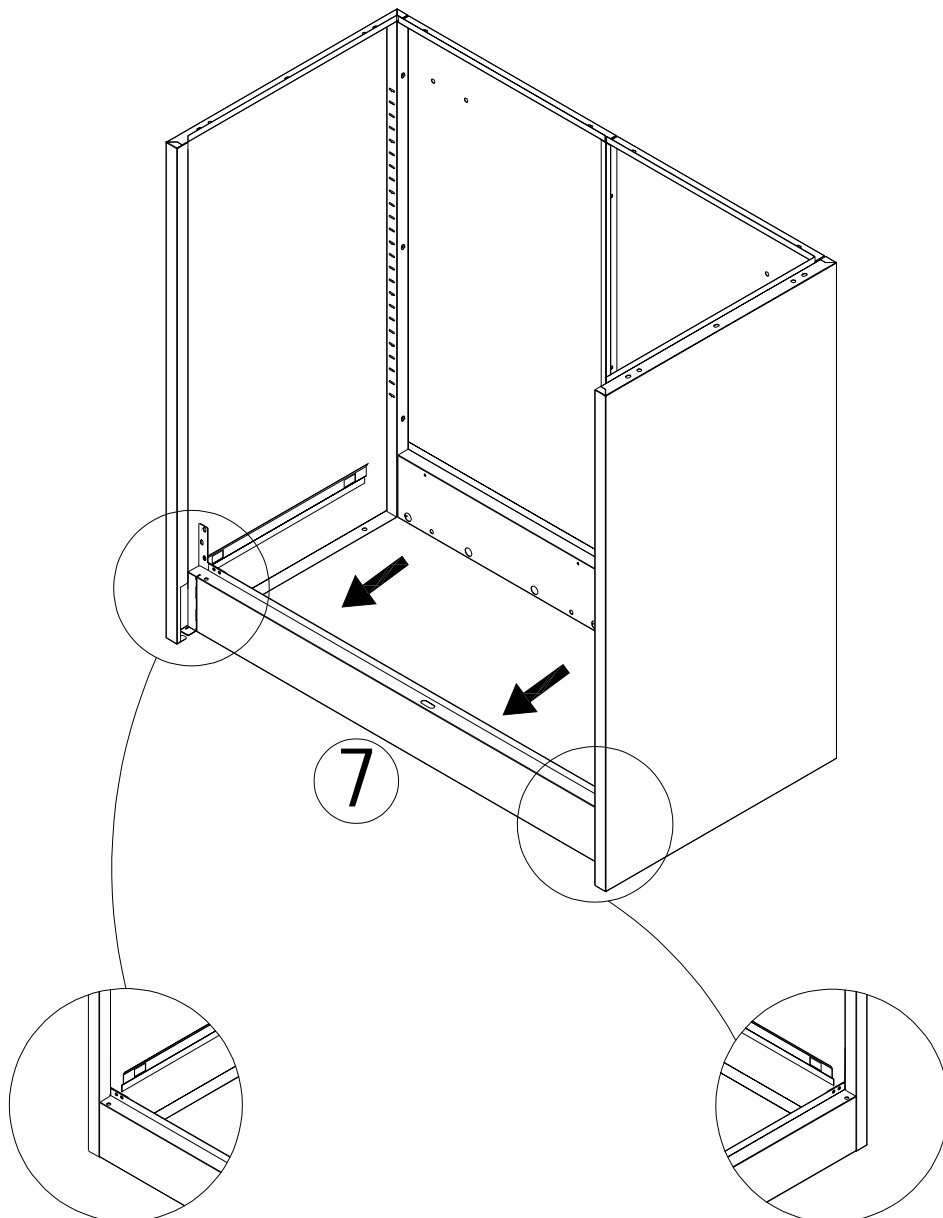


M5 * 10MM

Step 3: Connect right side panel 2 and right back panel 4 with 3 screws A



Step 4: Insert kick plate into the side panels and push it forward

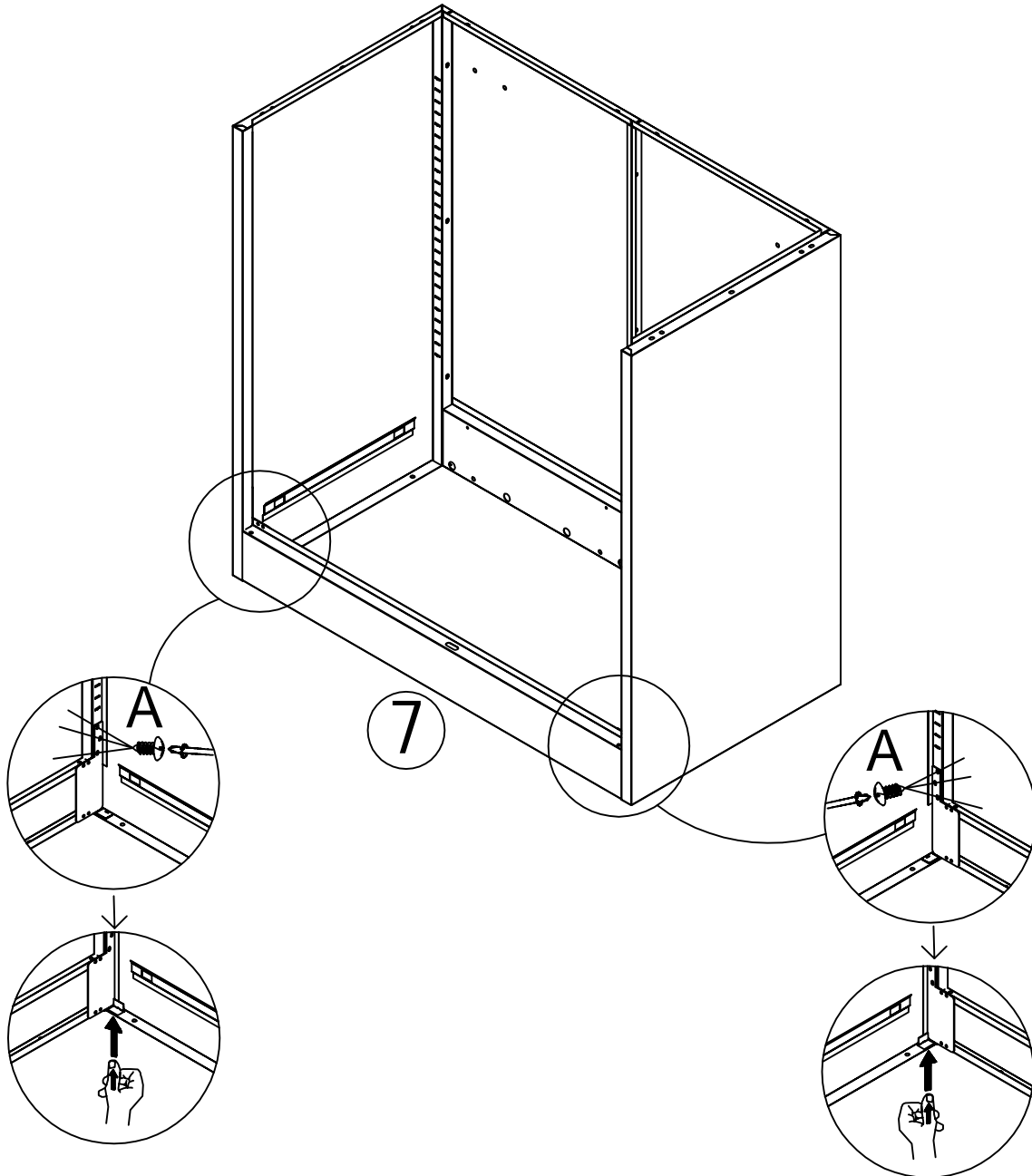


A*6

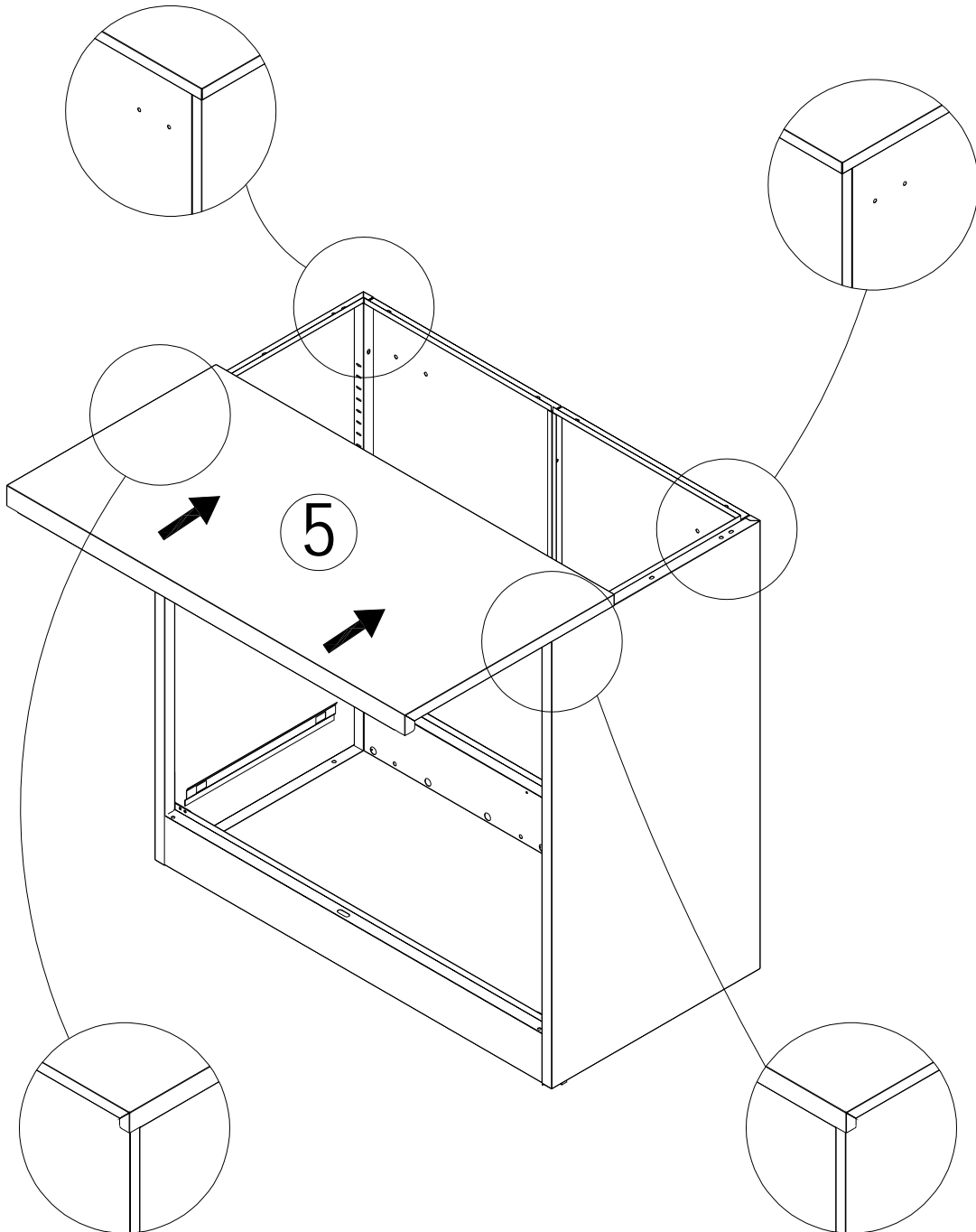


M5 * 10MM

Step 5: Connect kick plate and side panels with 6 screws A, then push the small pieces upward (at the bottom of kick plate)



Step 6: Place the top panel 5
on the top and push it backward

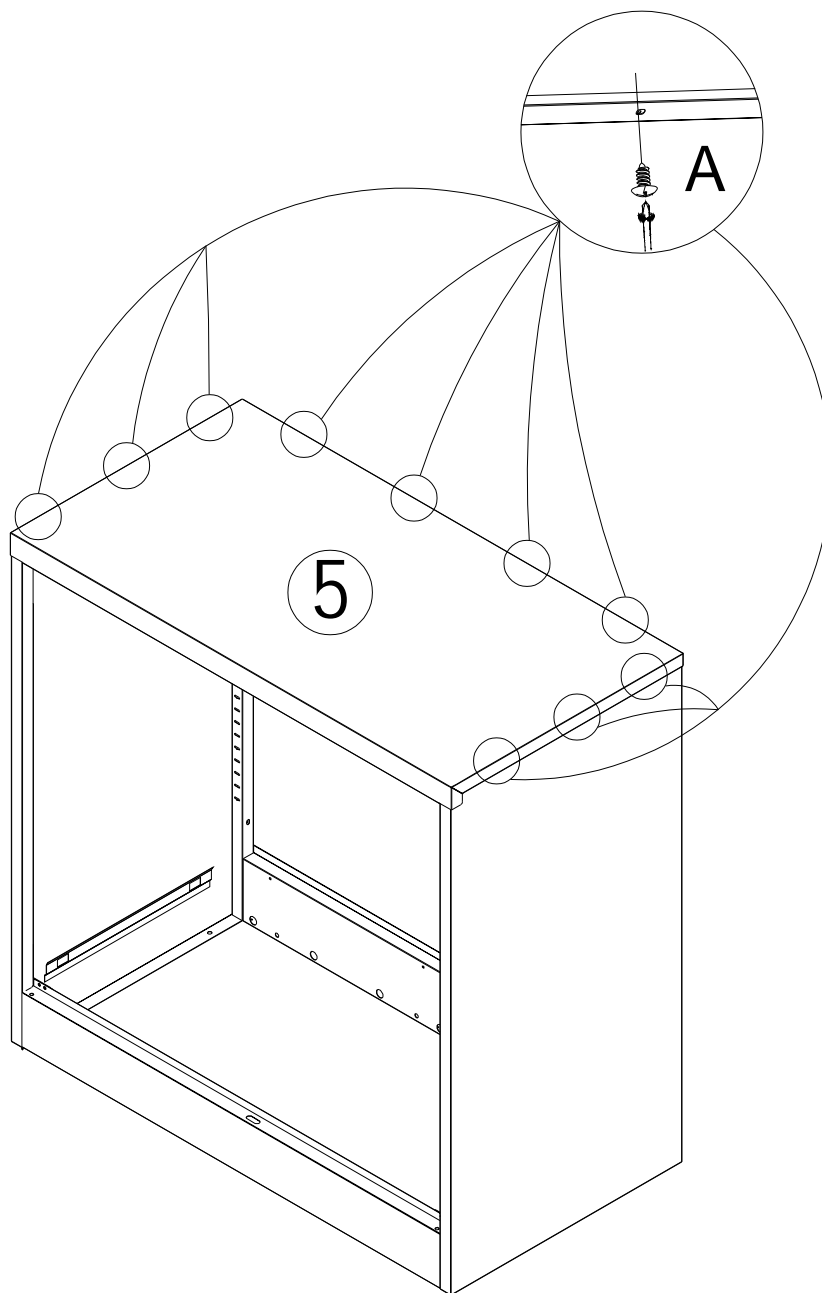


A*10

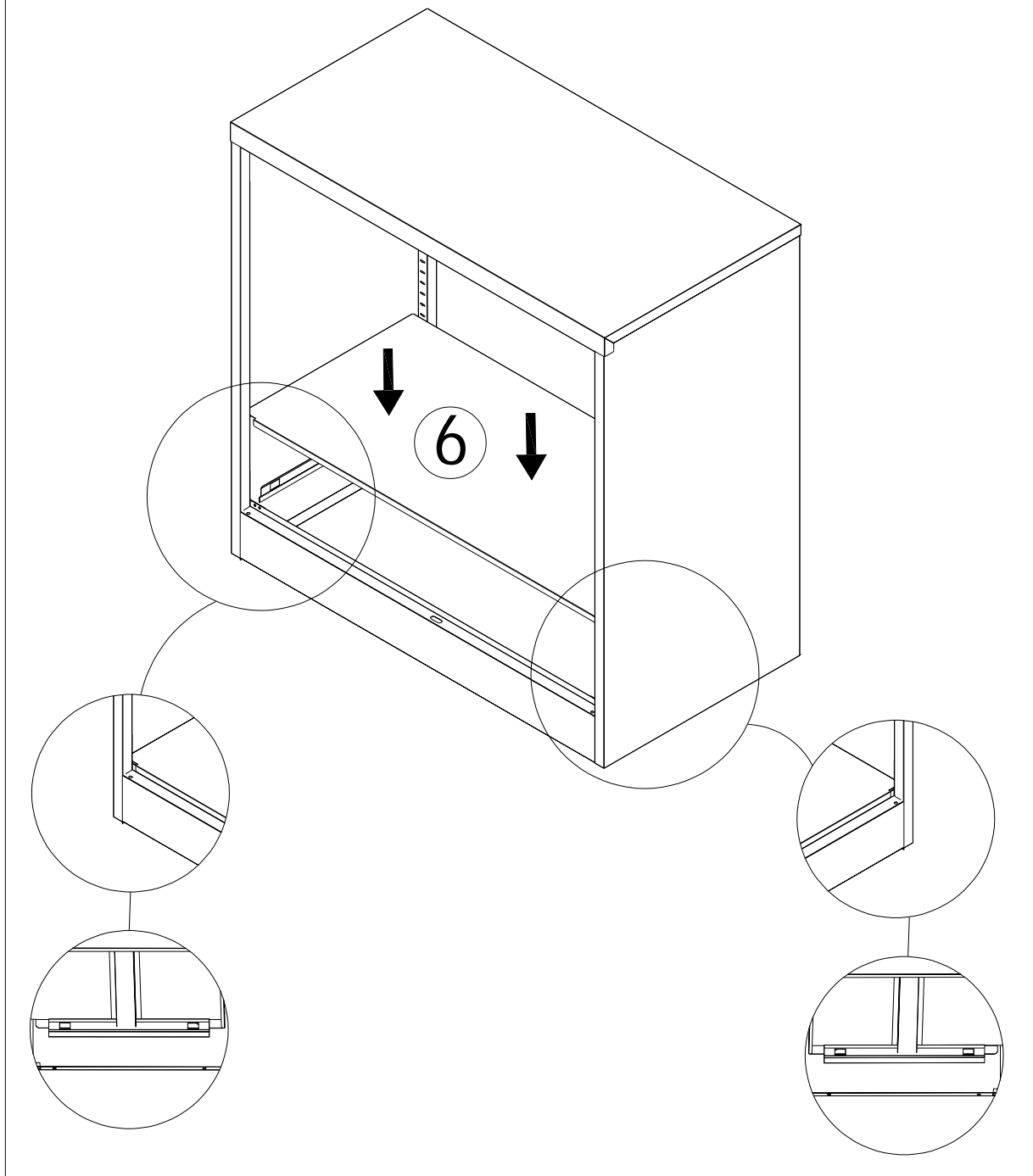


M5 * 10MM

Step 7: Fix the top panel 5
with other parts by 10 screws A



Step 8: Tilt the bottom panel 6
into the cabinet and press it down

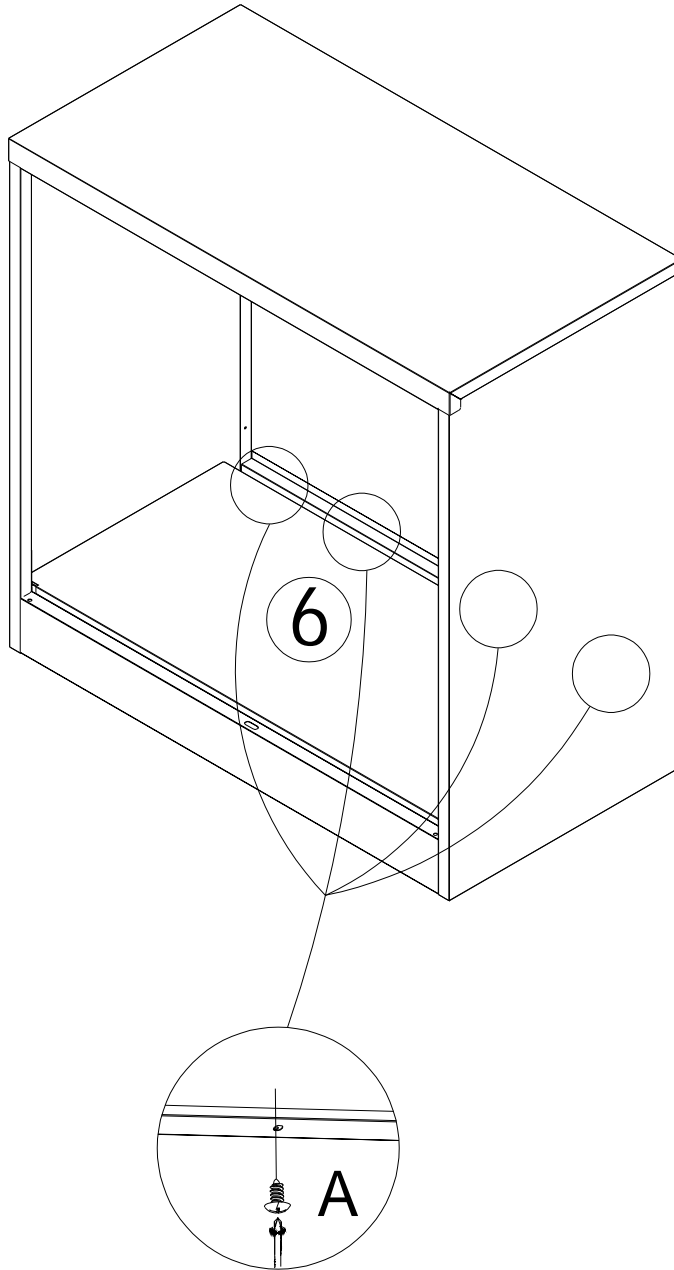



A*4



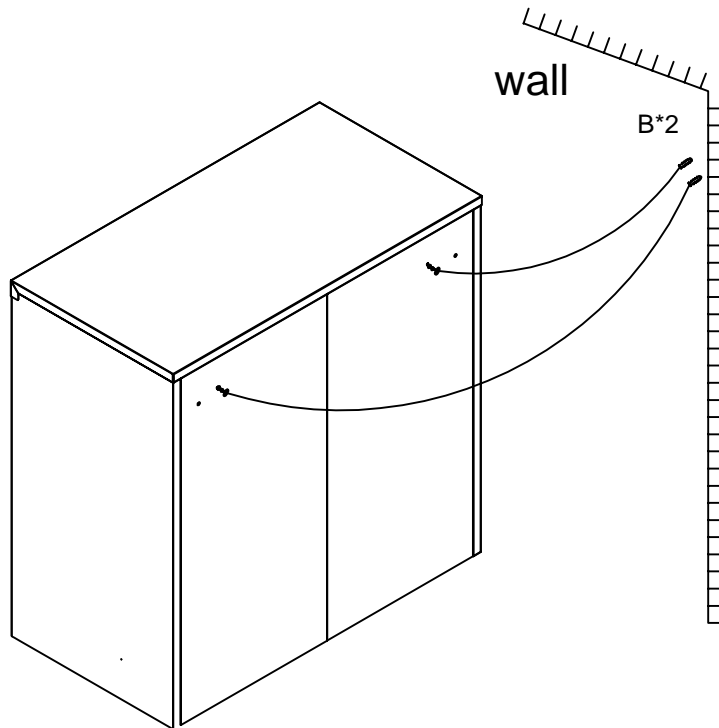
M5 * 10MM

Step 9: Connect bottom panel and
back panels with 4 screws A



B * 2
 M8 M5*30MM M5

Step 10: Fix the cabinet on the wall with 2 part B to prevent tipping



 **DANGER**

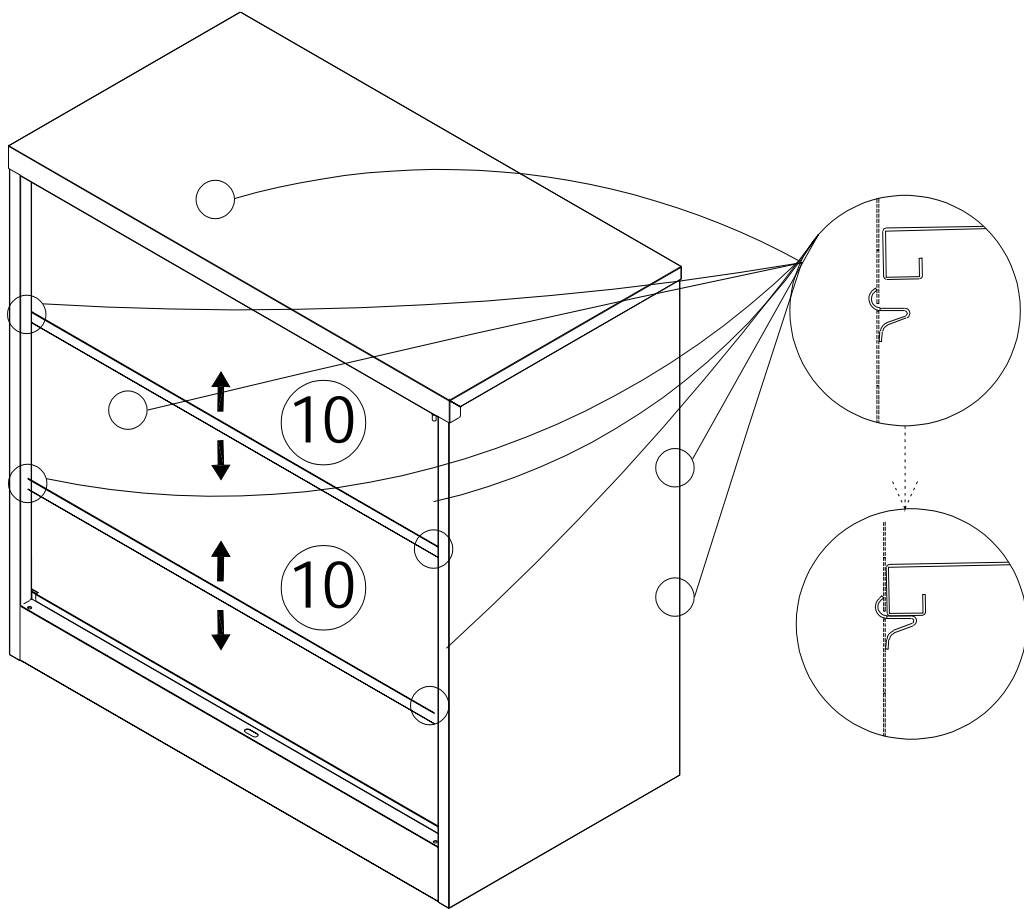


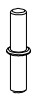

Always secure this furniture with an anchor device.
Unsecured furniture can cause serious injury or death to children.
Never allow children to stand, climb or hang on drawers, doors or shelves.
Never open more than one drawer or door at a time.
Place the heavy items on the lower position.
Never place a television on this furniture.
This is a permanent label. Do not remove!

F * 8



Step 11: Install 8 shelf clasps on side panels, then put the shelves 10 on them (The height can be adjusted as needed)

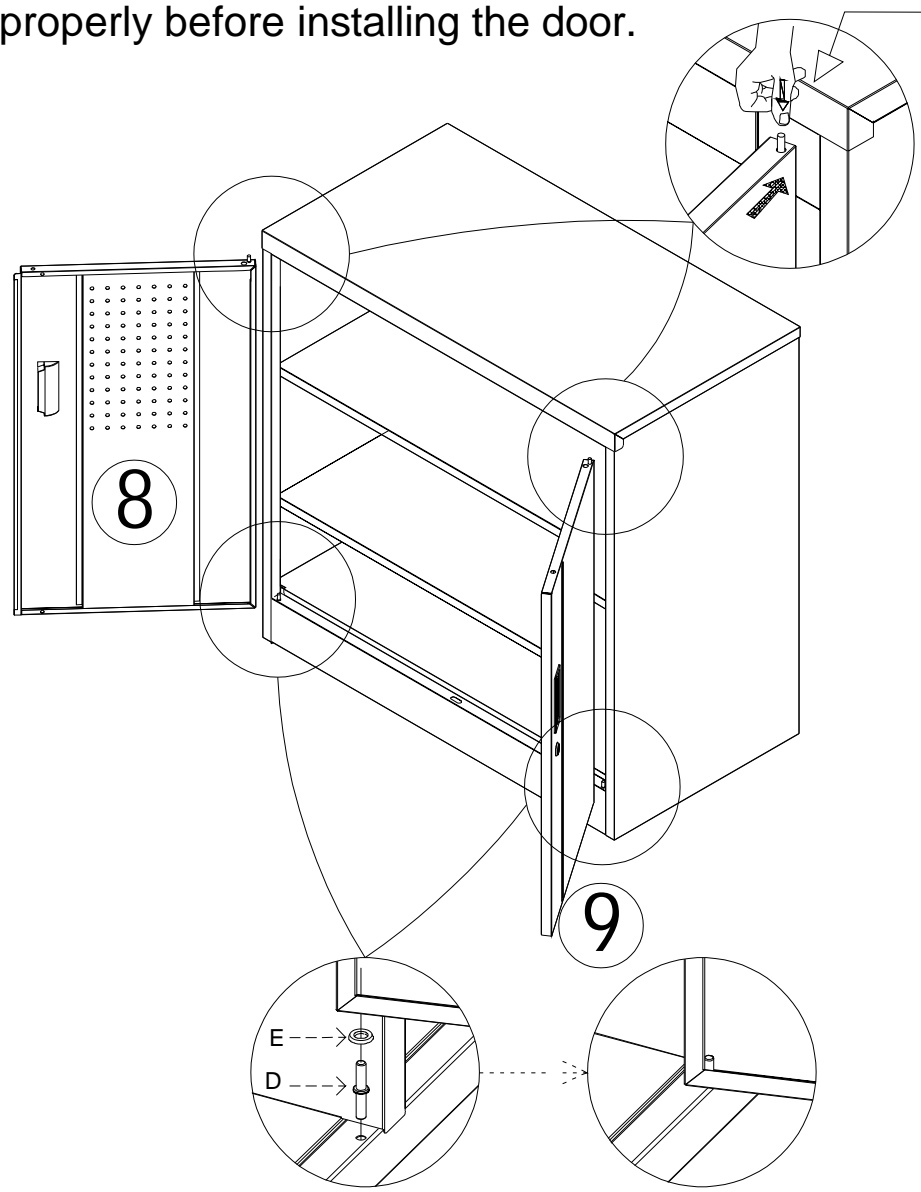




D * 2	E * 2
	

Step 12: Insert the door pivots D into the holes of the bottom corners (0/1/2 shims E can be used to adjust), then insert the doors into the pivots at the bottom and adjust the spring shafts on the top

Attention:
Please remove the keys and store them properly before installing the door.

Spring shaft



C * 4	G * 4
	

Step 13: Install 4 magnets C and 4 hooks G on the doors

