



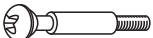


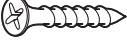




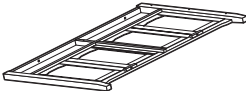
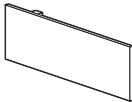
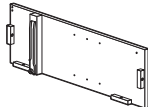
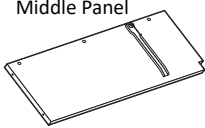
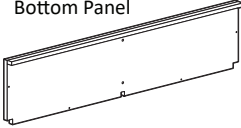
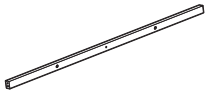
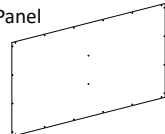
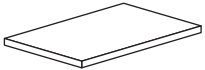

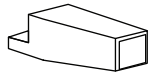
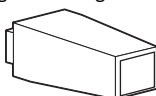
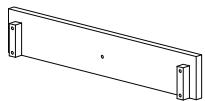
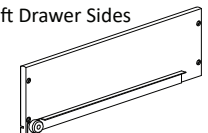
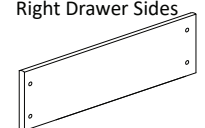
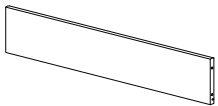



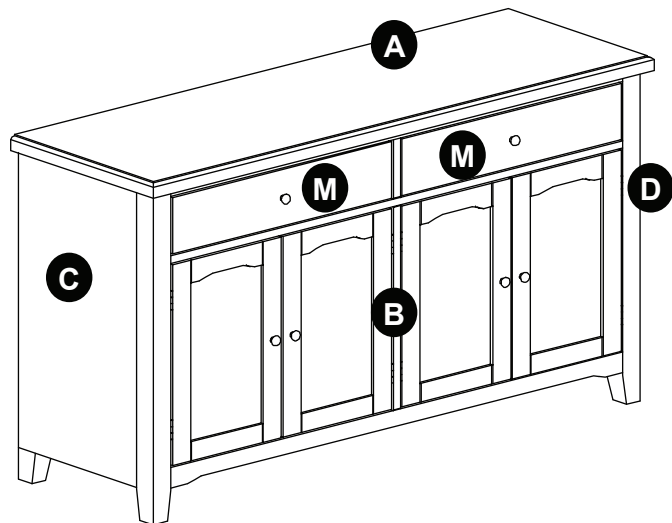
# Kinsey Sideboard

CODE	QTY	HARDWARE	
1	19	M6 x 30mm Allen Bolts	
2	19	Spring Washers	
3	19	Wood Dowels	
4	3	Cam Locks	
5	3	Cam Lock Pins	
6	1	Allen Wrench	
7	14	25mm Pan Head Bolts	
8	8	25mm Wood Screws	
9	30	16mm Wood Screws	
10	6	Knobs	
11	8	Shelf Supports	

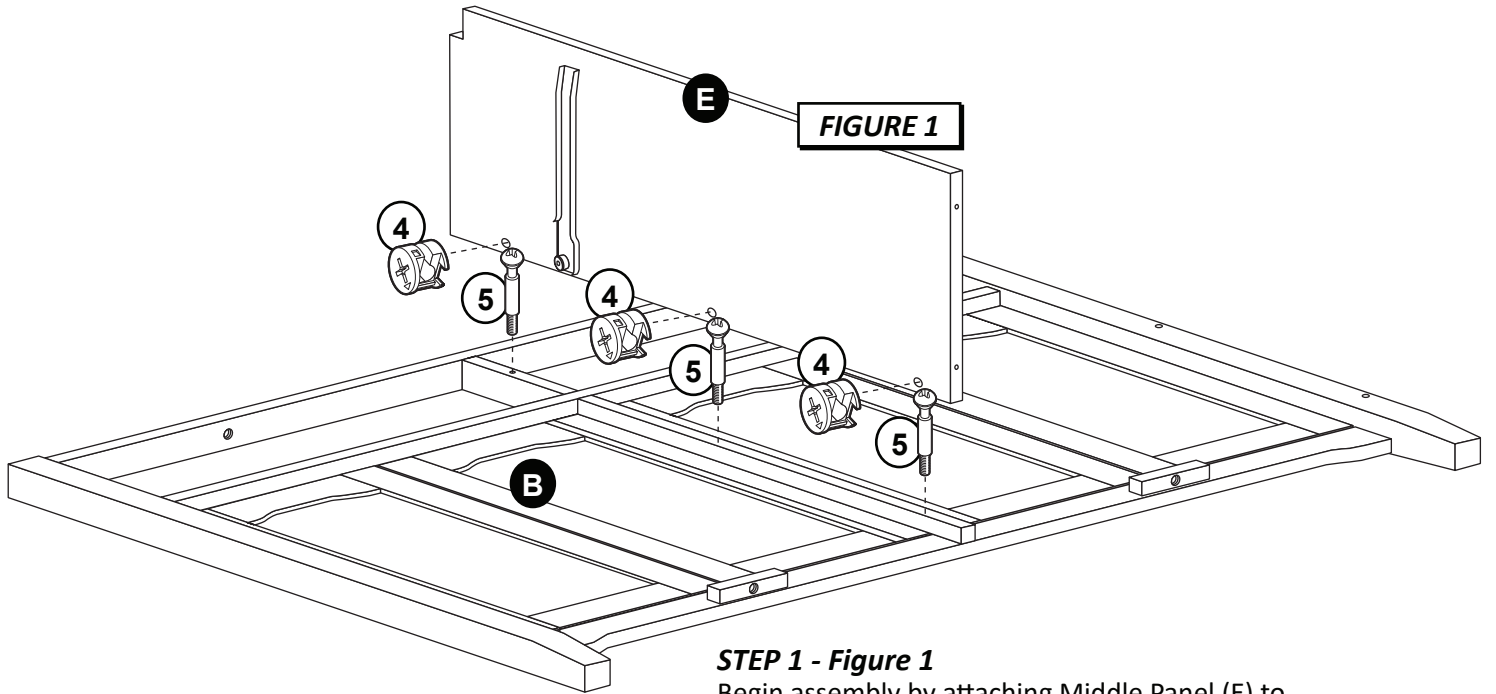
CODE	QTY	COMPONENTS	CODE	QTY	COMPONENTS
A	1	Top 	B	1	Front Panel 
C	1	Left Side Panel 	D	1	Right Side Panel 
E	1	Middle Panel 	F	1	Bottom Panel 
G	1	Back Top Rail 	H	1	Back Panel 
I	2	Shelves 	J	2	Wine Holders 
K	1	Left Back Leg 	L	1	Right Back Leg 
M	2	Drawer Fronts 	N	2	Left Drawer Sides 
O	2	Right Drawer Sides 	P	2	Drawer Back Panels 
			Q	2	Drawer Bottom Panels 

## ⚠ WARNING

- Do not let any sharp objects touch or rub the surface of the product.
- When assembling, do not let children play around the working area.
- Please confirm all parts are correct before starting the assembly process.
- Do not tighten all bolts and screws completely until the entire unit has been assembled and set up.
- Be careful if using power tools as they can over tighten screws and strip threads.

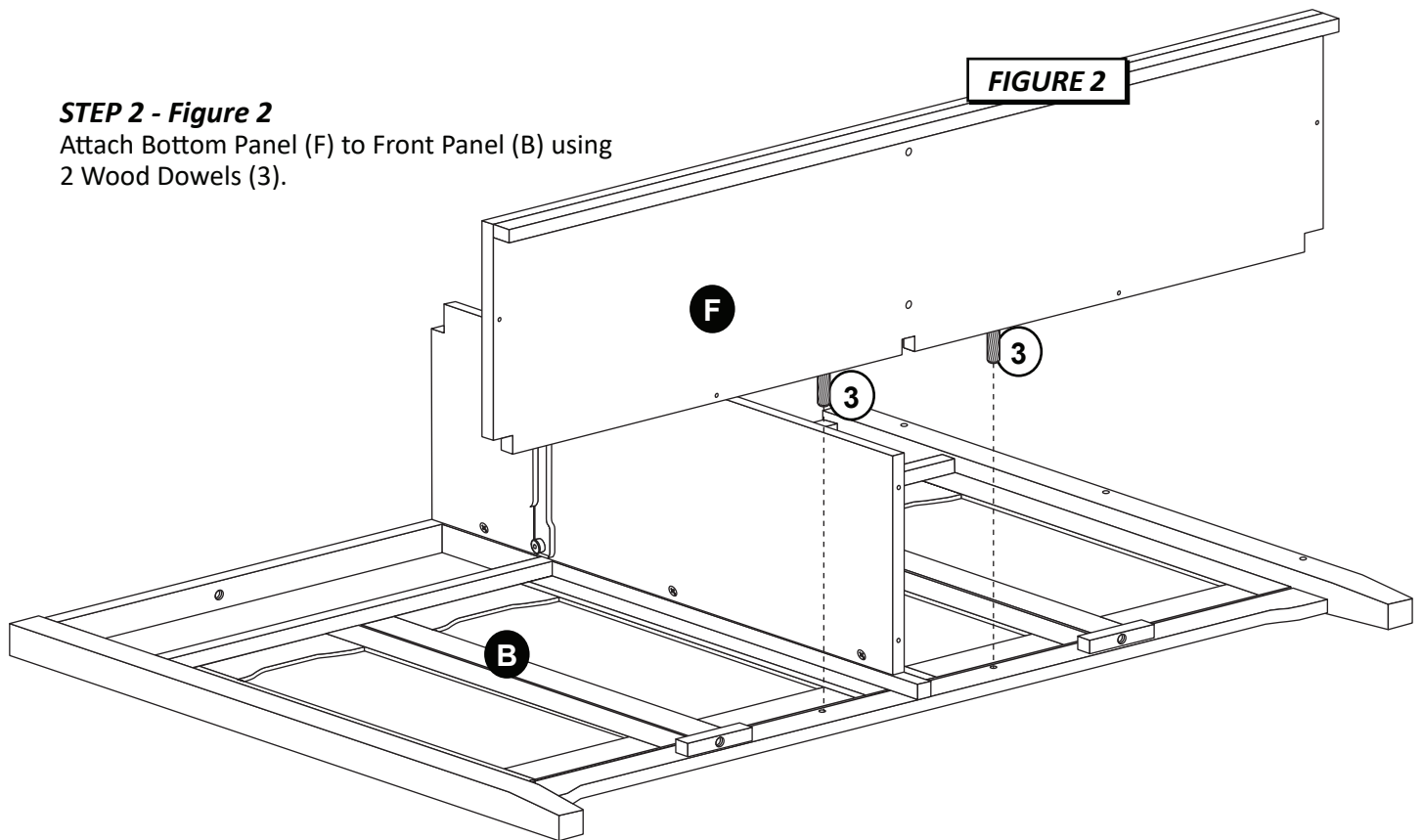


**CARE & MAINTENANCE:** The touch of a soft cloth is all the maintenance the finish will ever need. Please do not use harsh or abrasive cleaners for polishing, as they may cause damage to the finish. Periodic checks are recommended to make sure that all hardware is securely tightened.



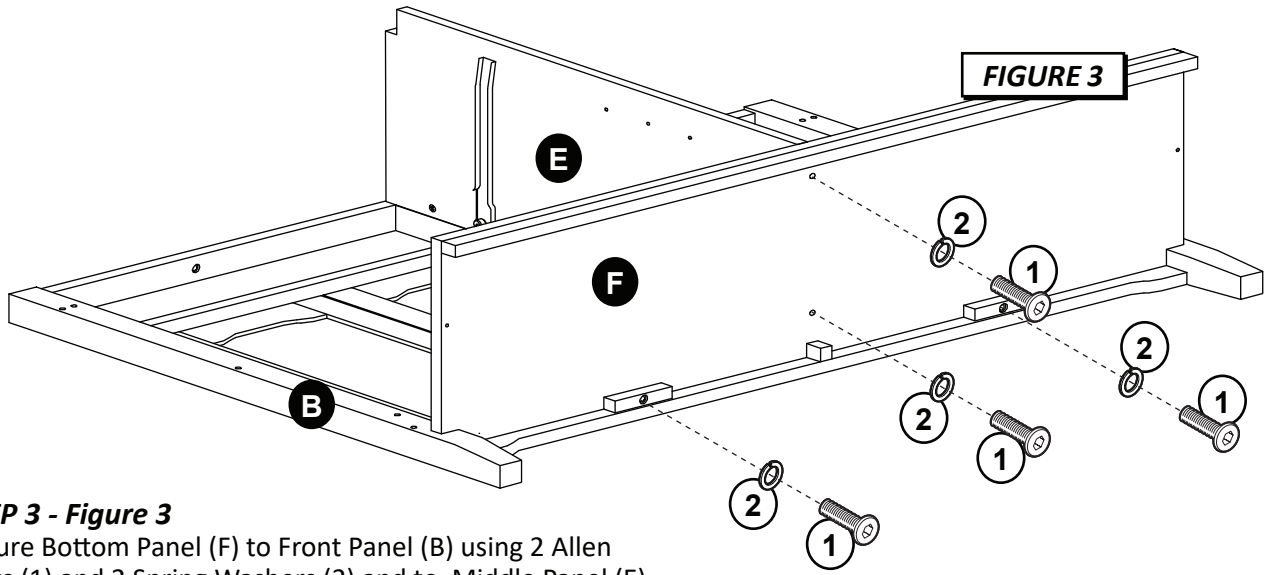
**STEP 1 - Figure 1**

Begin assembly by attaching Middle Panel (E) to Front Panel (B) using 3 Cam Locks (4) and 3 Cam Lock Pins (5).



**STEP 2 - Figure 2**

Attach Bottom Panel (F) to Front Panel (B) using 2 Wood Dowels (3).

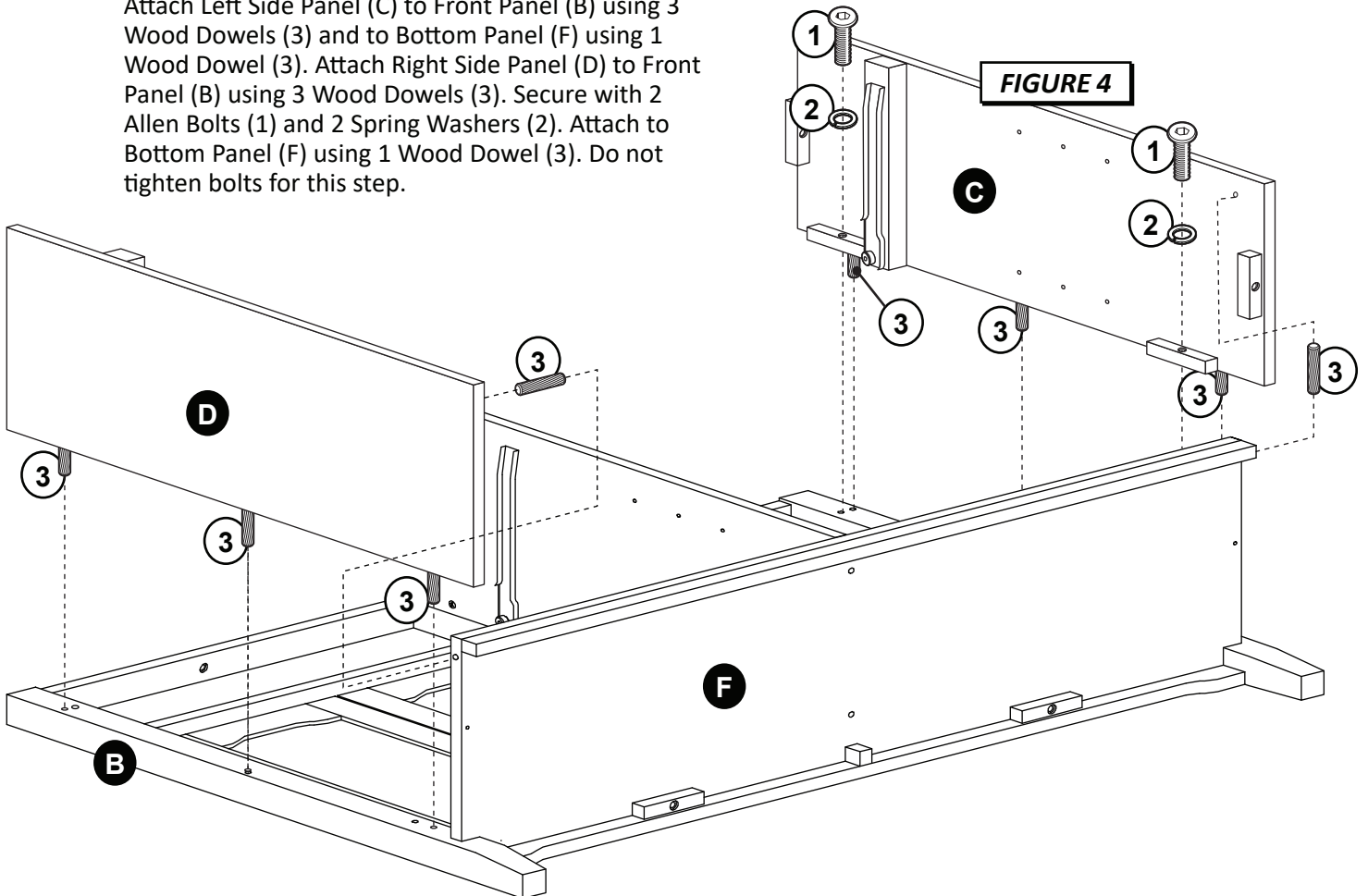


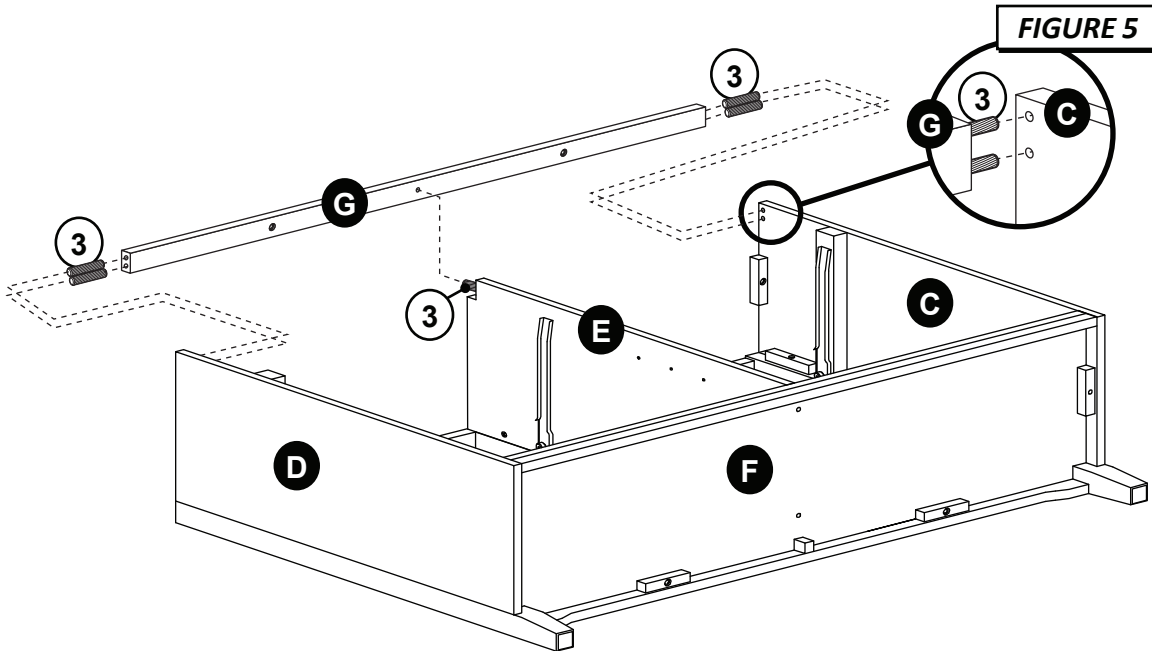
### STEP 3 - Figure 3

Secure Bottom Panel (F) to Front Panel (B) using 2 Allen Bolts (1) and 2 Spring Washers (2) and to Middle Panel (E) using 2 Allen Bolts (1) and 2 Spring Washers (2). Tighten bolts with Allen Wrench (6) provided.

### STEP 4 - Figure 4

Attach Left Side Panel (C) to Front Panel (B) using 3 Wood Dowels (3) and to Bottom Panel (F) using 1 Wood Dowel (3). Attach Right Side Panel (D) to Front Panel (B) using 3 Wood Dowels (3). Secure with 2 Allen Bolts (1) and 2 Spring Washers (2). Attach to Bottom Panel (F) using 1 Wood Dowel (3). Do not tighten bolts for this step.



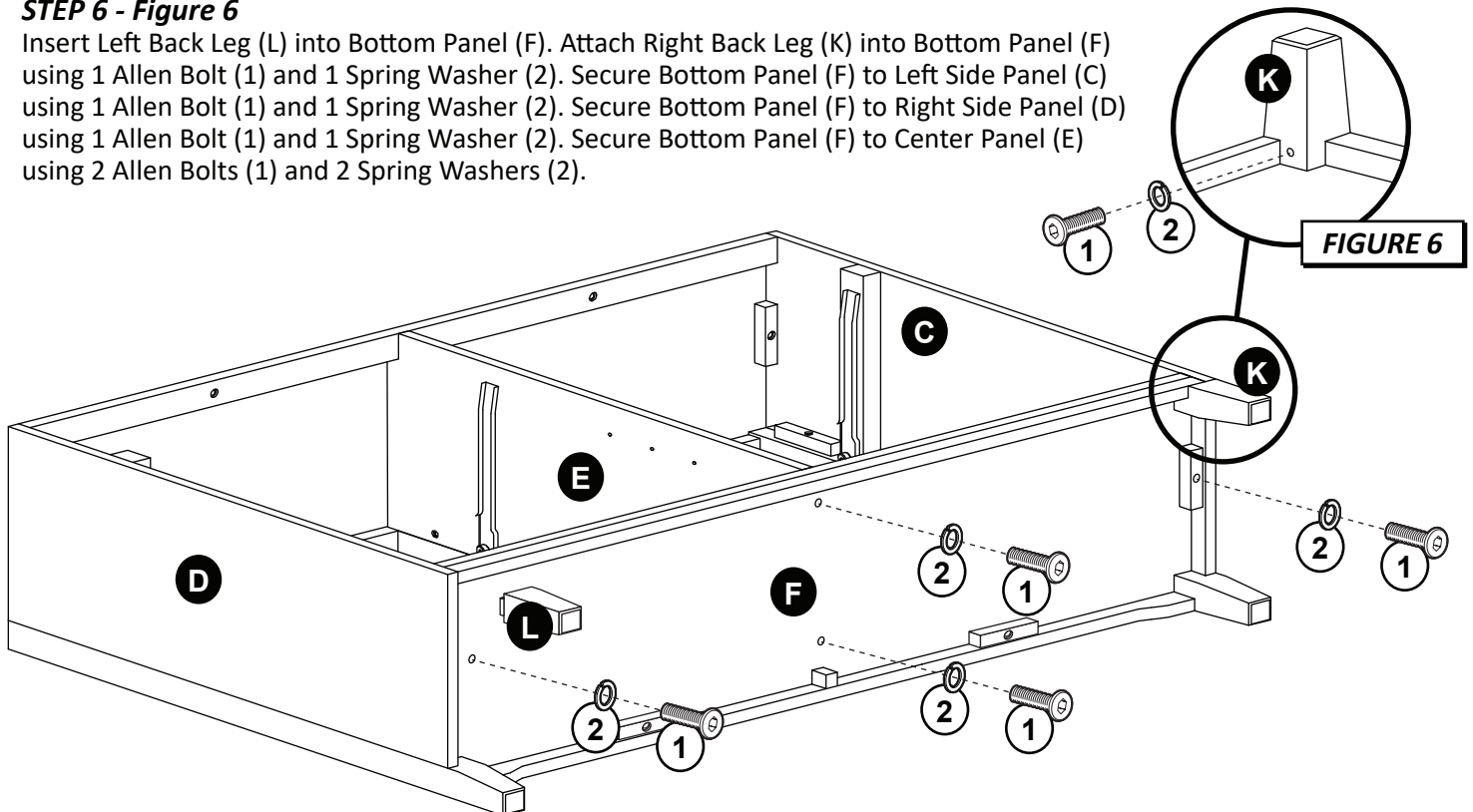


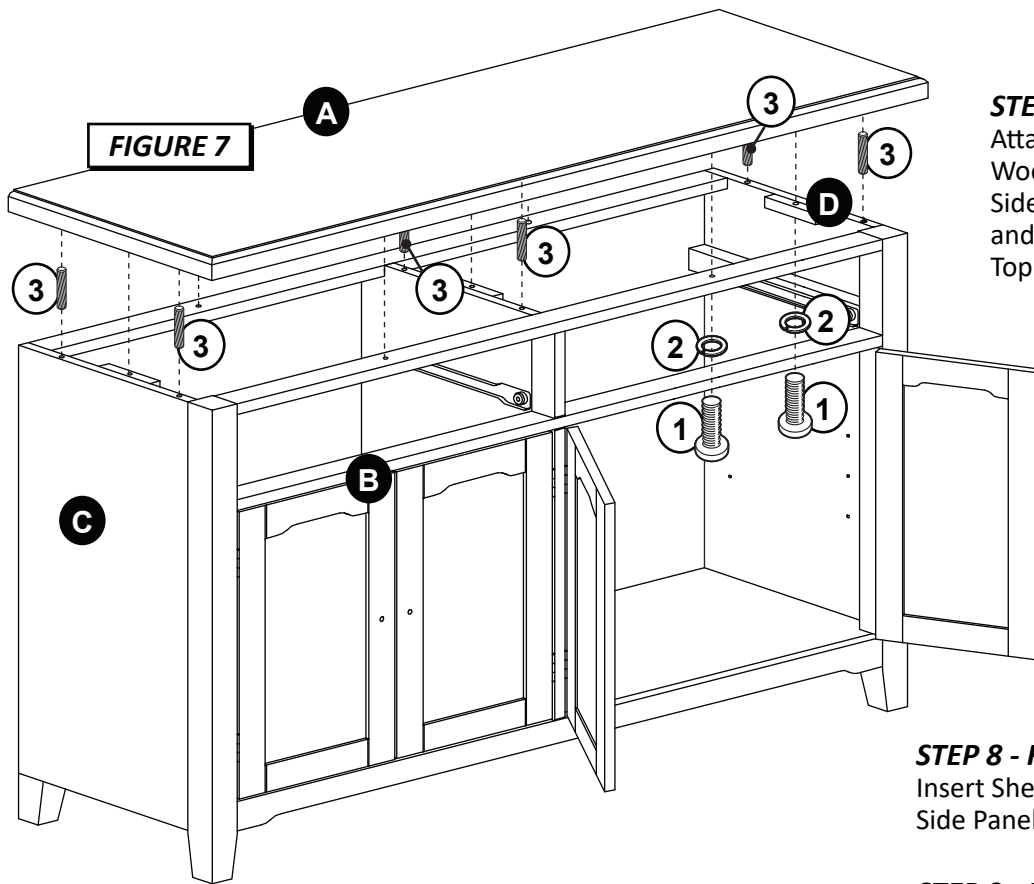
**STEP 5 - Figure 5**

Attach Back Top Rail (G) to Left Side Panel (C) using 2 Wood Dowels (3). Attach Back Top Rail (G) to Center Panel (E) using 2 Wood Dowels (3). Attach Back Top Rail (G) to Right Side Panel (D) using 2 Wood Dowels (3).

**STEP 6 - Figure 6**

Insert Left Back Leg (L) into Bottom Panel (F). Attach Right Back Leg (K) into Bottom Panel (F) using 1 Allen Bolt (1) and 1 Spring Washer (2). Secure Bottom Panel (F) to Left Side Panel (C) using 1 Allen Bolt (1) and 1 Spring Washer (2). Secure Bottom Panel (F) to Right Side Panel (D) using 1 Allen Bolt (1) and 1 Spring Washer (2). Secure Bottom Panel (F) to Center Panel (E) using 2 Allen Bolts (1) and 2 Spring Washers (2).





**STEP 7 - Figure 7**

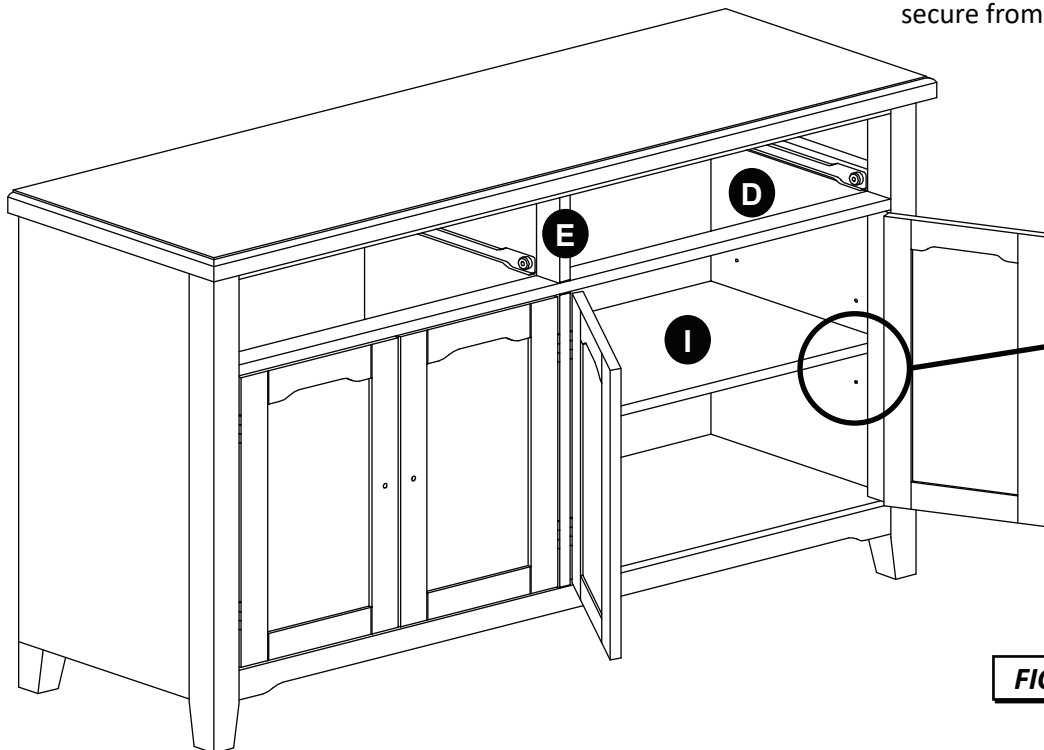
Attach Top (A) to assembly using 2 Wood Dowels (3) each in the Left Side Panel (C), the Middle Panel (E), and the Right Side Panel (D). Secure Top (A) to panels

**STEP 8 - Figure 8**

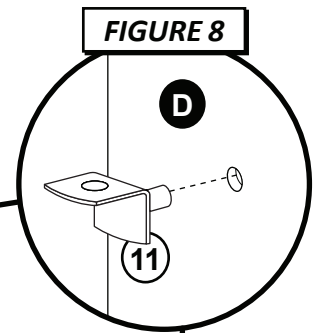
Insert Shelf Supports (11) into Right Side Panel (D) and Middle Panel (E).

**STEP 9 - Figure 9**

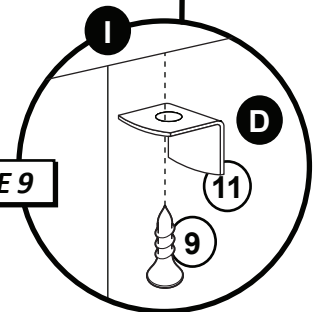
Insert Shelves (I) on to Shelf Supports (11) and secure from the bottom with Screws (9).



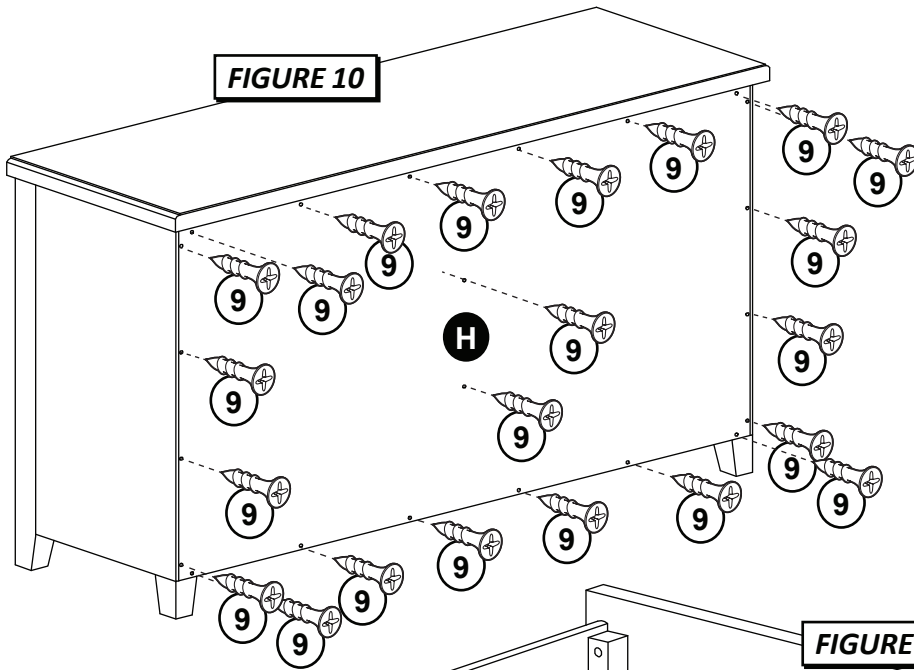
**FIGURE 8**



**FIGURE 9**



**FIGURE 10**

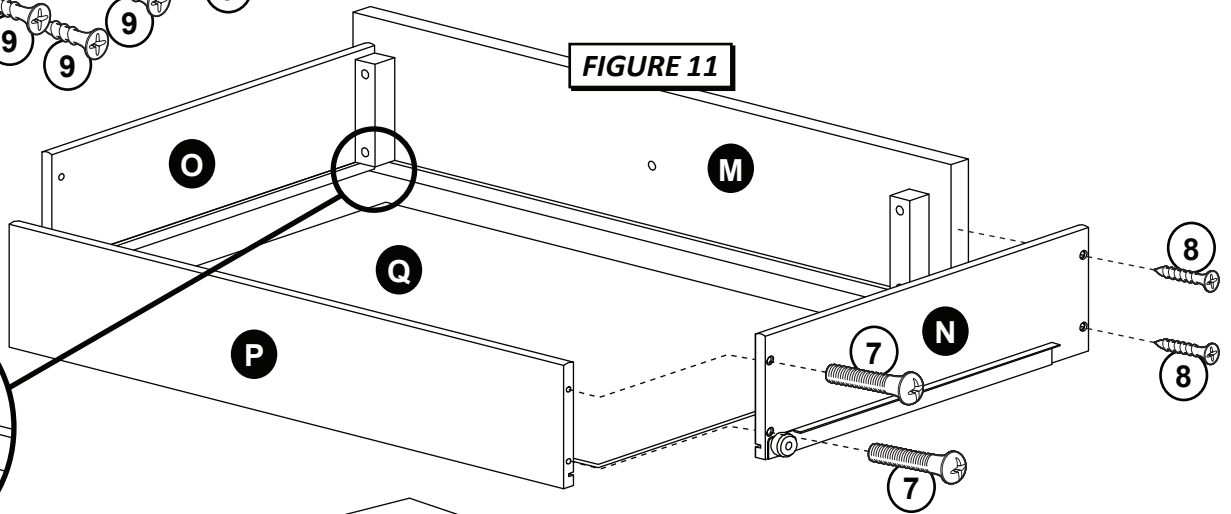
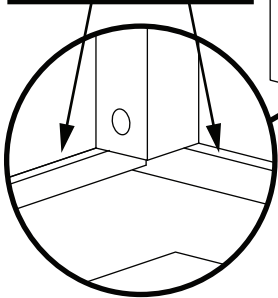


**STEP 10 - Figure 10**  
Attach Back Panel (H) to assembly using 22 Screws (9).

**STEP 11 - Figure 11**  
Assemble drawers by attaching Left Drawer Sides (N) and Right Drawer Sides (O) to Drawer Fronts (M) with 2 Screws (8) per side. Then slide Drawer Bottom Panels (Q) into slots on Drawer Sides and Fronts (M, N, & O). Finally attach Drawer Back Panels (P) onto Drawer Bottom Panels (Q) and secure to Drawer Side Panels (N & O) using 2 Pan Head Bolts (7) per side.

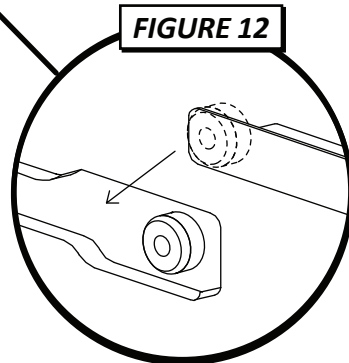
**FIGURE 11**

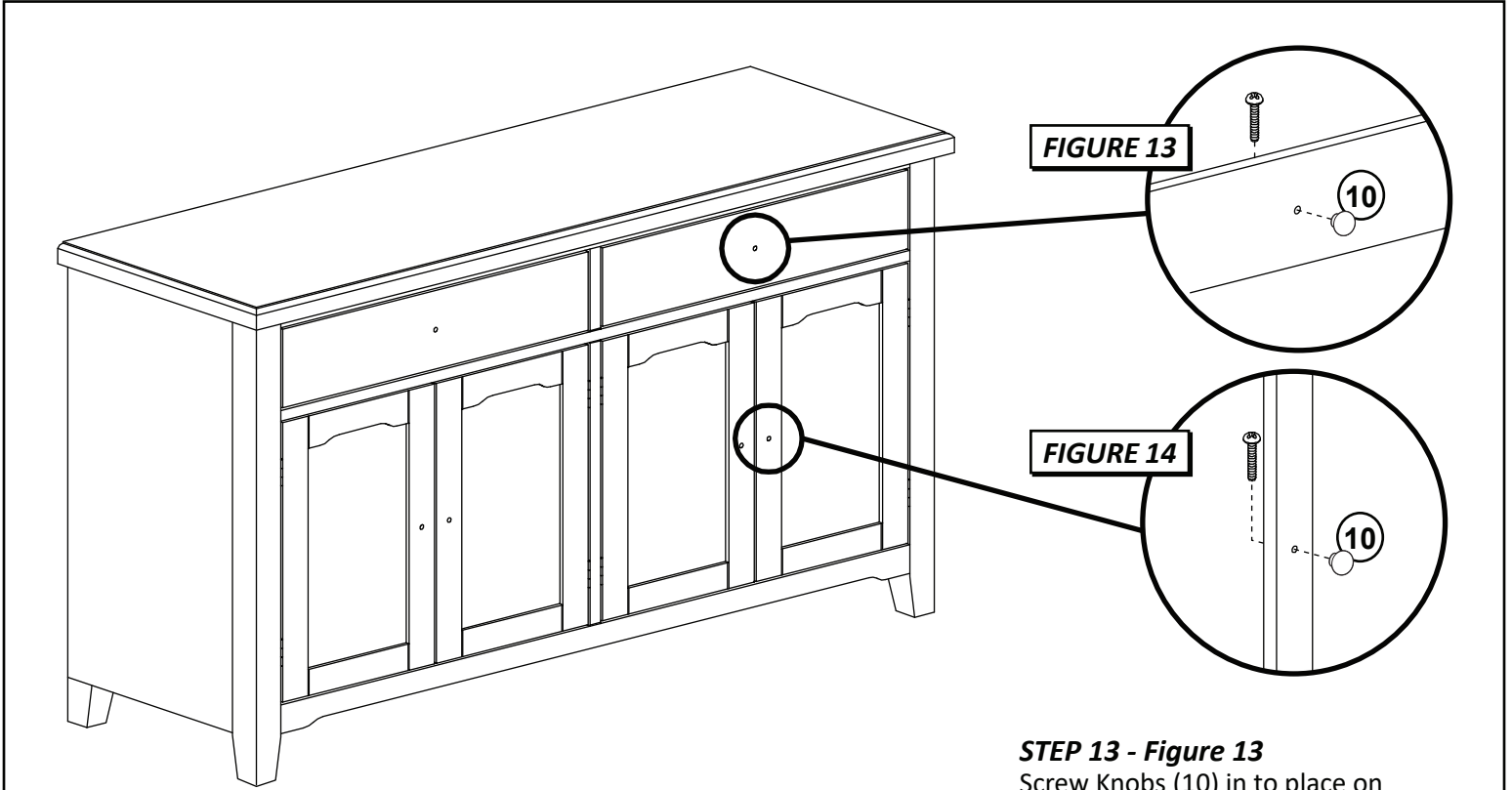
Make sure grooves are lined up on sides and fronts of the drawers.



**STEP 12 - Figure 12**  
Insert drawers into assembly.

**FIGURE 12**





**FIGURE 13**

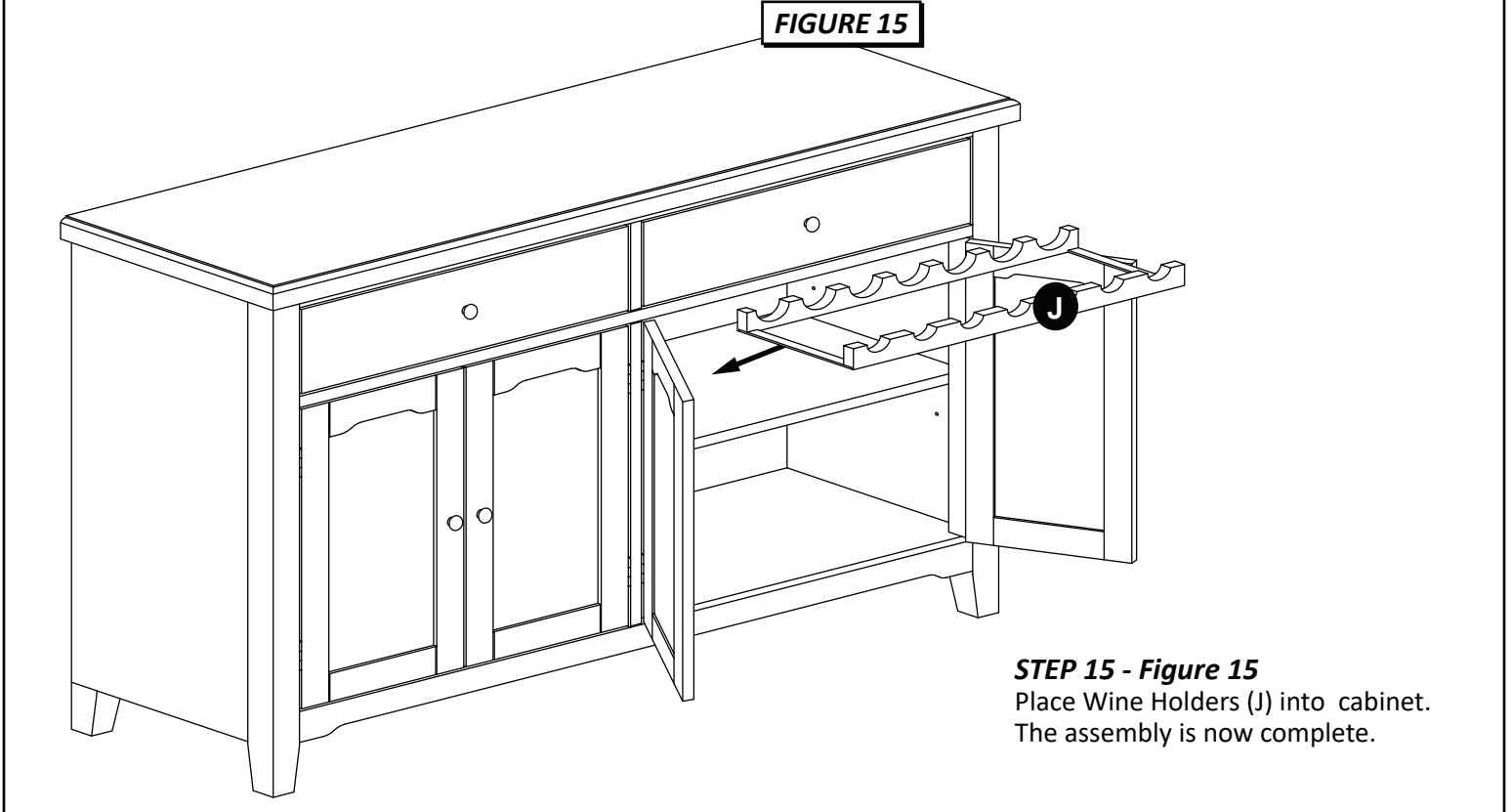
**FIGURE 14**

**STEP 13 - Figure 13**

Screw Knobs (10) in to place on drawers.

**STEP 14 - Figure 14**

Screw Knobs (10) in to place on cabinet doors.



**FIGURE 15**

**STEP 15 - Figure 15**

Place Wine Holders (J) into cabinet. The assembly is now complete.