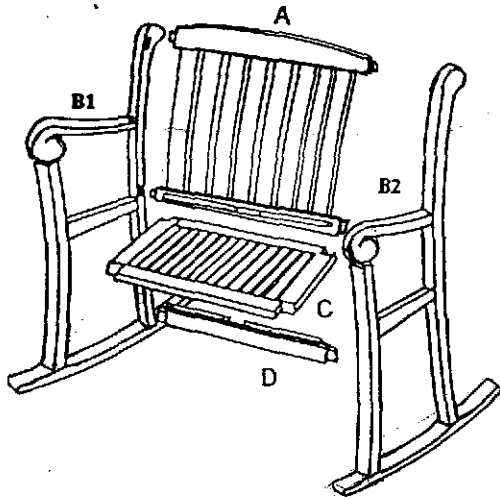


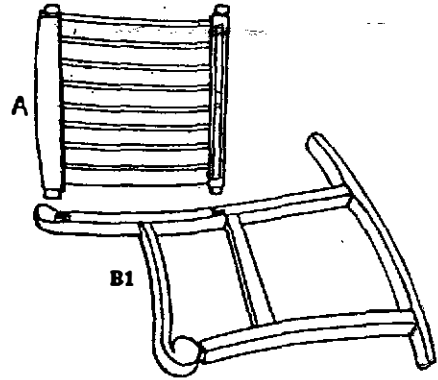
# ASSEMBLY INSTRUCTIONS

## TEAKWOOD ROCKING ARMCHAIR (ATF92, ATF93)

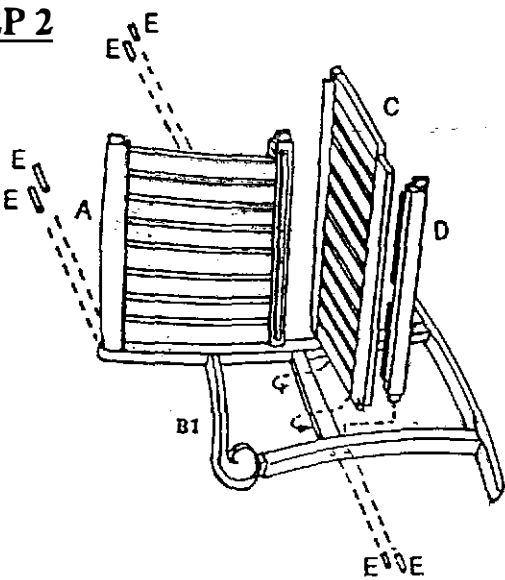
### PARTS



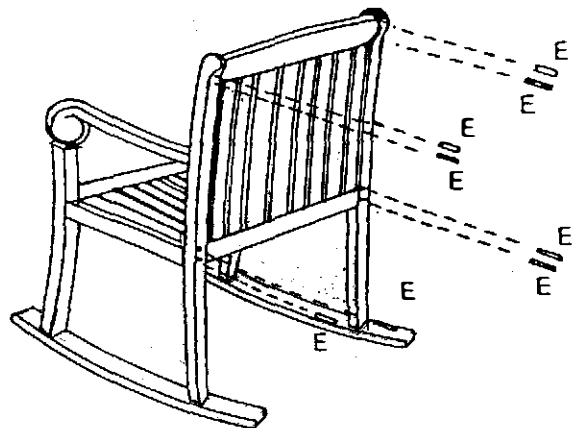
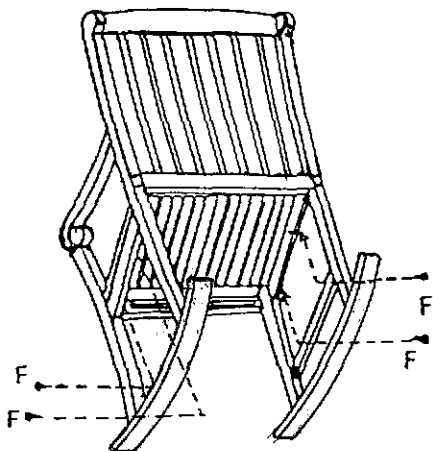
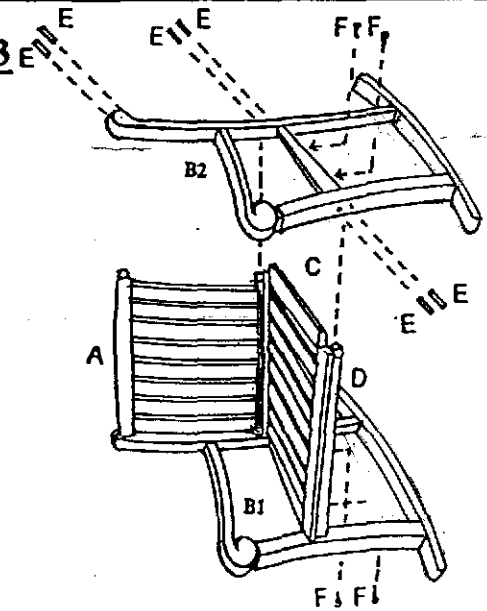
### STEP 1



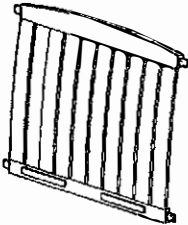
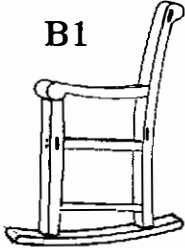
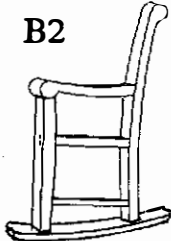
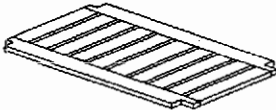
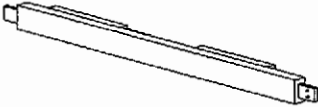

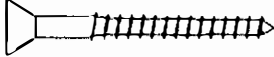

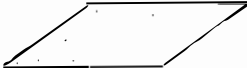
### STEP 2



### STEP 3



**ASSEMBLY INSTRUCTIONS**  
**TEAKWOOD ROCKING ARMCHAIR (ATF92, ATF93)**

| NO | PARTS   | QTY. |
|----|---|------|
| A  | BACKREST<br>          | 1    |
| B1 | LEGS. (LEFT)<br>      | 1    |
| B2 | LEGS. (RIGHT)<br>    | 1    |
| C  | SEAT SLATS<br>      | 1    |
| D  | FRONT STRETCHER<br> | 1    |
| E  | DOWEL<br>           | 12+2 |
| F  | SCREW<br>           | 4    |
| H  | GLUE<br>           | 1    |
| I  | SANDPAPER<br>       | 1    |