

ASSEMBLY INSTRUCTIONS LUKAS-CT 1196

Before you begin, please follow assembly instructions carefully, then follow them step by step.

Reminder:

Read instruction carefully . See Furniture Parts list and Hardware List for guidance . Be sure you have all parts before you start assembling .

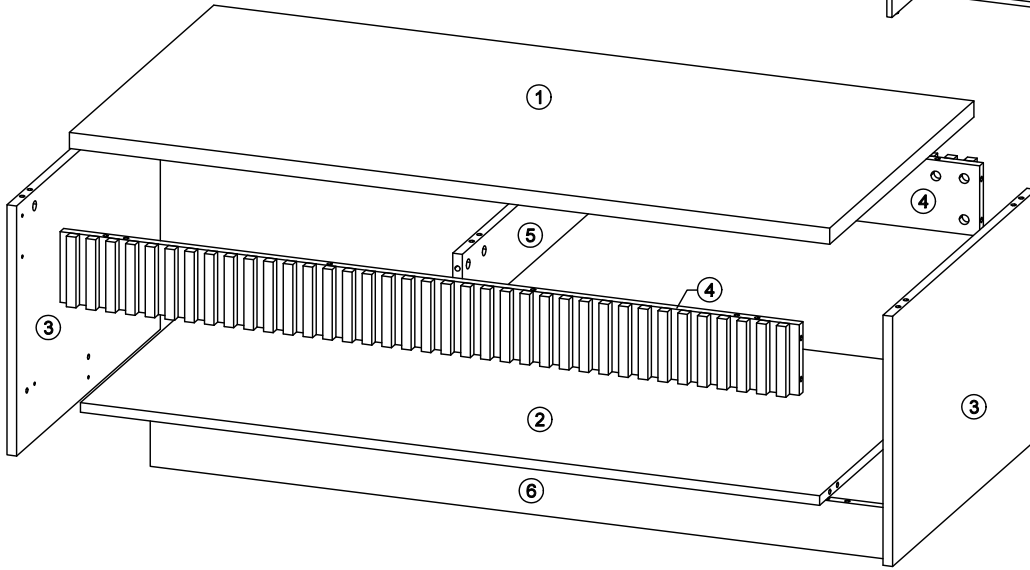
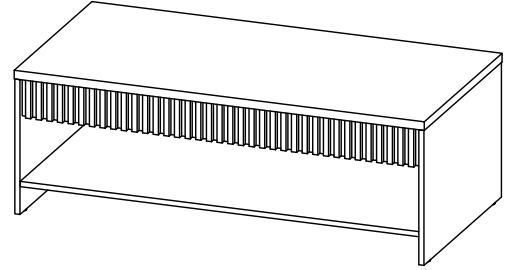
Place and assemble furniture on a clean flat soft surface , such as carpet or rug to prevent being scratched .

Please ensure that all surfaces and edges with colours/laminations are facing forward/outward.

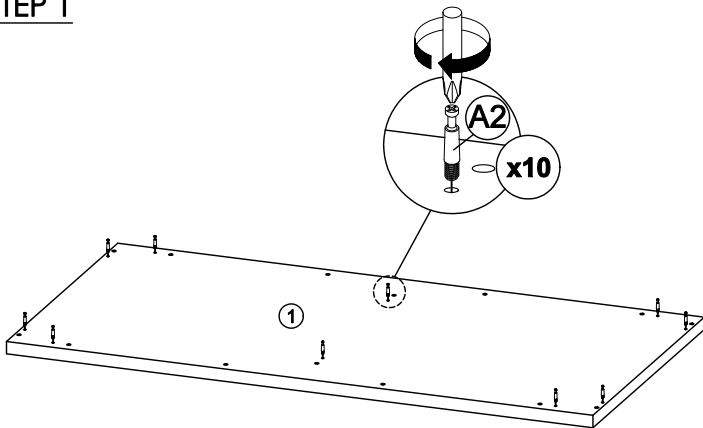
SELF-PREPARED TOOLS: Tools below are NOT included in package.



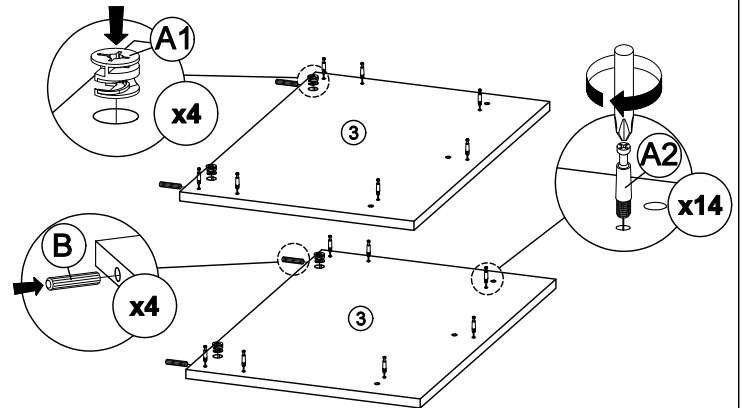
HARDWARE					
A	MINI FIX	A1	A2	A3	30 SETS
B	M8 X 30MM WOOD DOWEL				24 PCS
C	5/8 PVC NAIL LEG				6 PCS
D	ALLEN KEY M4				1 PC



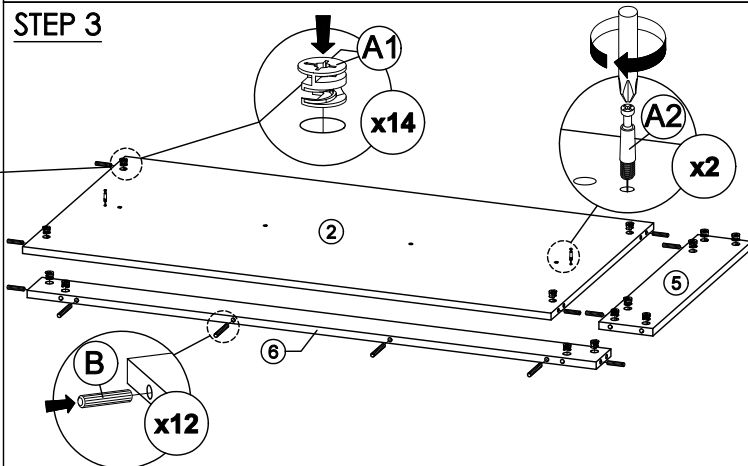
STEP 1



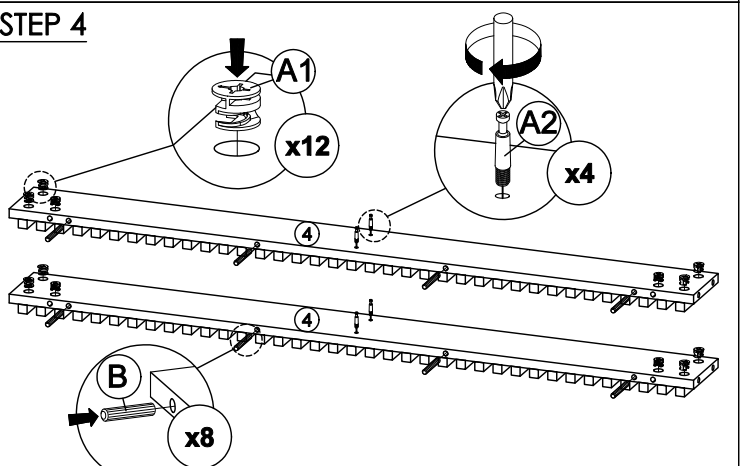
STEP 2



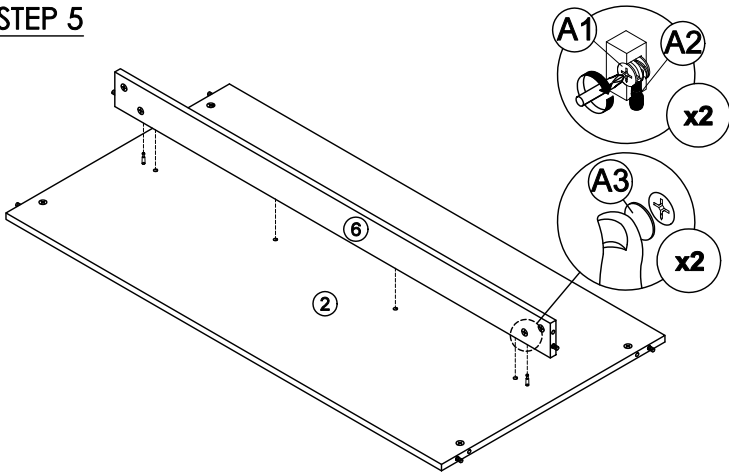
STEP 3



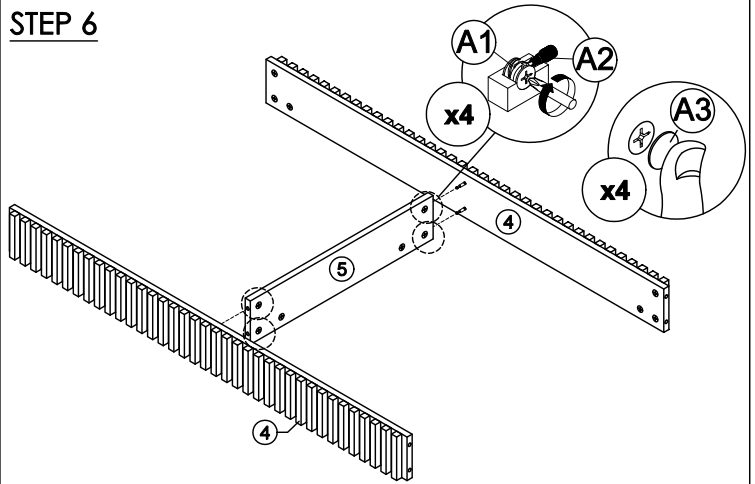
STEP 4



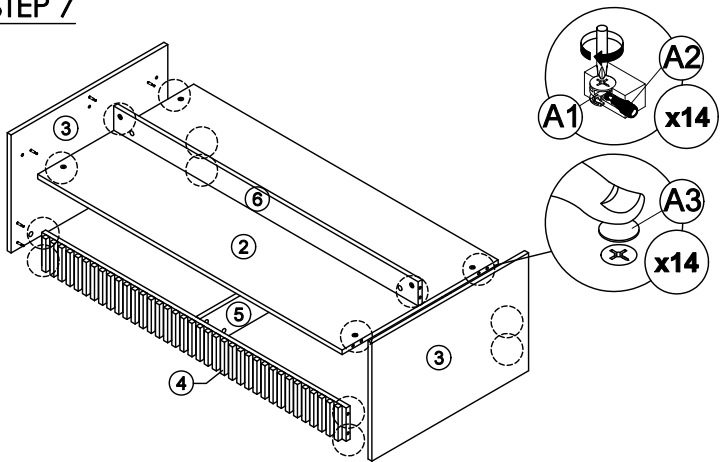
STEP 5



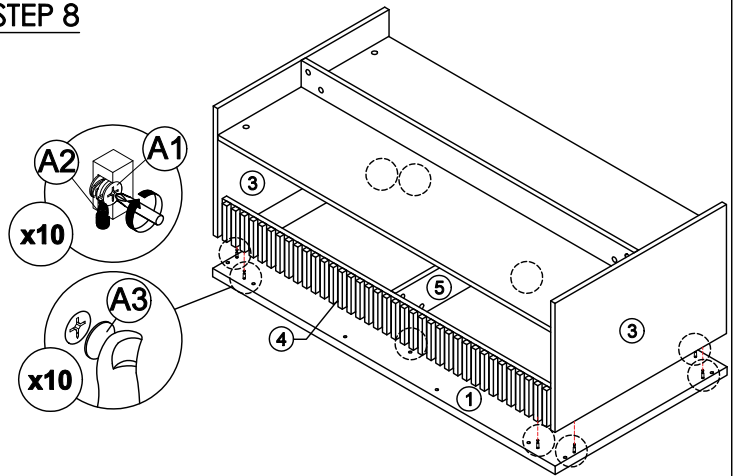
STEP 6



STEP 7



STEP 8



STEP 9

