

ASSEMBLY INSTRUCTIONS



Fine Furniture for every stage of life

(B1&B2)
Dining Table

ASSEMBLY INSTRUCTIONS

ASSEMBLY TIPS:

1. Remove hardware from box and sort by size.
2. Please check to see that all hardware and parts are present prior to start of assembly.
3. Please follow attached instructions in the same sequence as numbered to assure fast & easy assembly.



WARNING!

1. Don't attempt to repair or modify parts that are broken or defective. Please contact the store immediately.
2. This product is for home use only and not intended for commercial establishments.



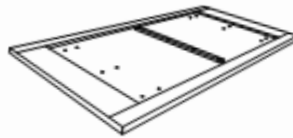
ASSEMBLY TIME

30 MINUTES

PARTS IDENTIFICATION

B1 (BOX 1)

A TOP



1PC

B TRESTLE BAR



1PC

B2 (BOX 2)

C LEG



2PCS

HARDWARE IDENTIFICATION

B2 (BOX 2) - HARDWARE PACK IS LOCATED IN (B2)

1 ALLEN WRENCH
(M4 X 110MM - BLK)



1PC

2 LONG BOLT
(M6 x 50MM - RBW)



2PCS

3 SHORT BOLT
(M6 X 30MM - RBW)



4PCS

4 LOCK WASHER
(1/4" - BLK)



14PCS

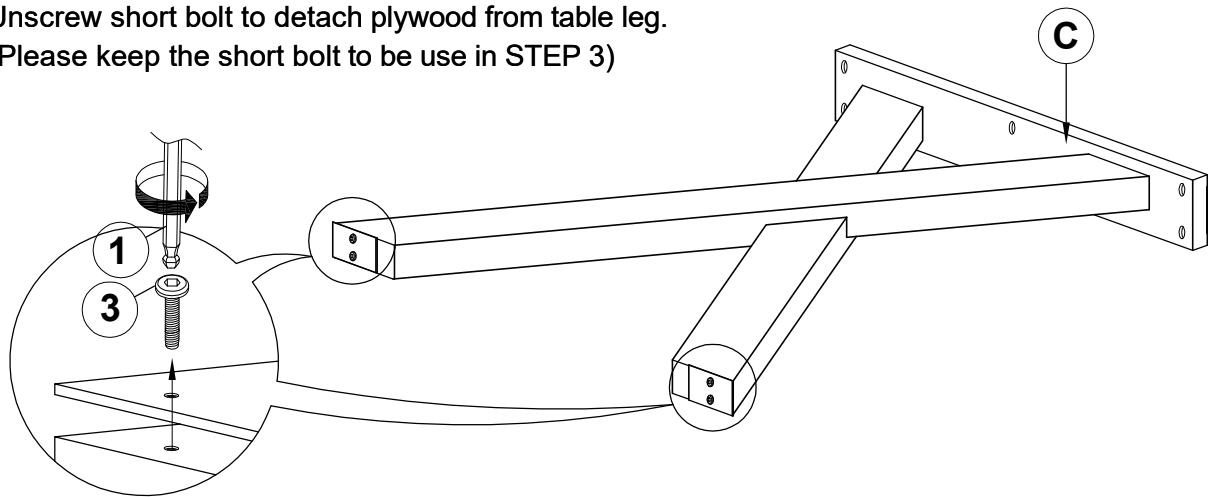
5 FLAT WASHER
(M6 x 13MM - RBW)



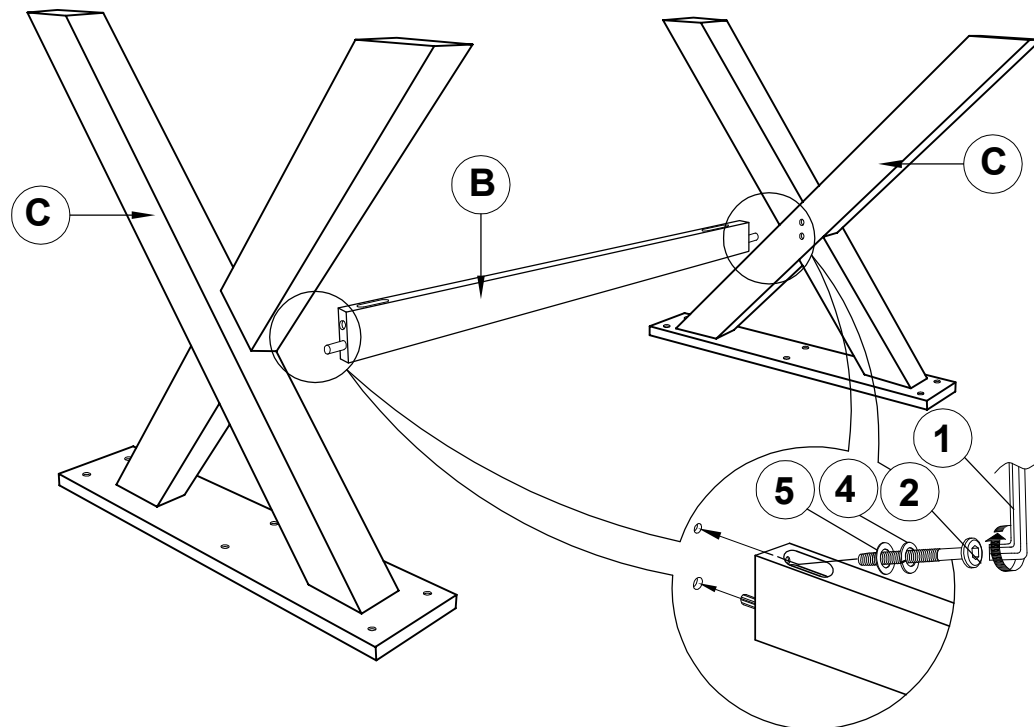
14PCS

STEP 1

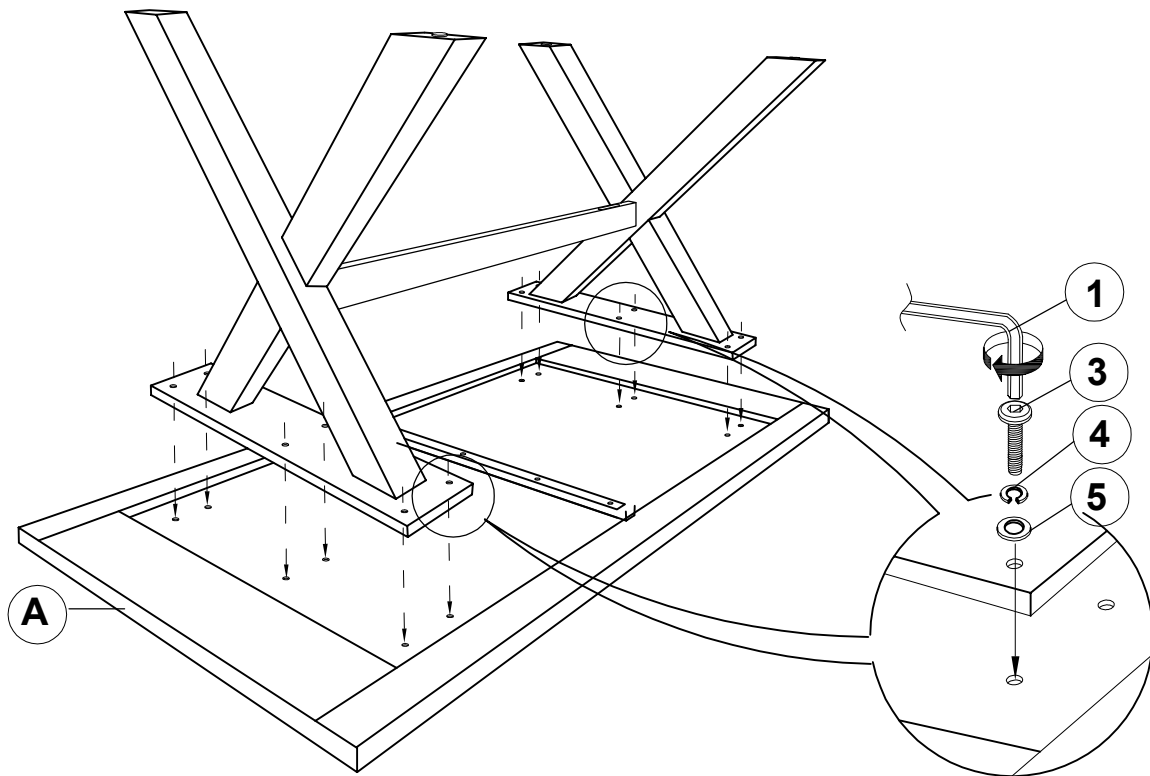
Unscrew short bolt to detach plywood from table leg.
(Please keep the short bolt to be use in STEP 3)



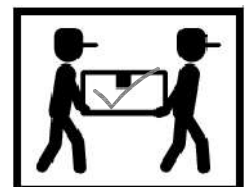
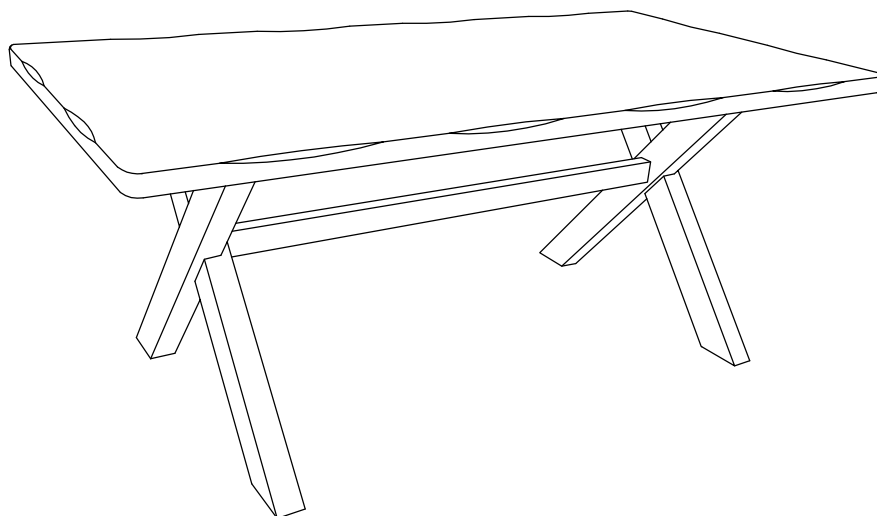
STEP 2

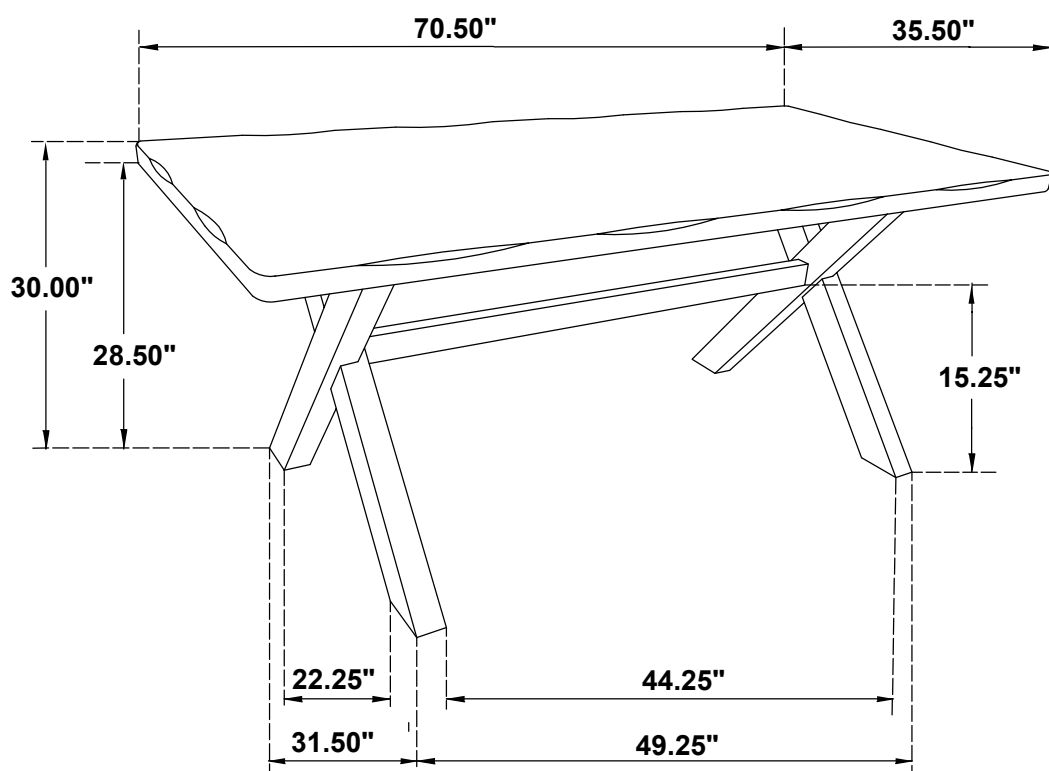


STEP 3



STEP 4 **COMPLETE**





Note: Dimension tolerance $\pm 5\%$

ASSEMBLY INSTRUCTIONS



Fine Furniture for every stage of life

Dining Side Chair

REVISION 0: 09/08/2017
REVISION 1: 02/14/2020
REVISION 2: 02/14/2023

ASSEMBLY INSTRUCTIONS

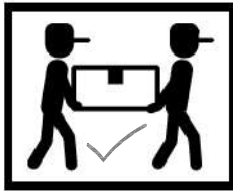
ASSEMBLY TIPS :

1. Remove hardware from box and sort by size.
2. Please check to see that all hardware and parts are present prior to start of assembly.
3. Please follow attached instructions in the same sequence as numbered to assure fast & easy assembly.



WARNING !

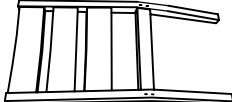

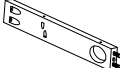

1. Don't attempt to repair or modify parts that are broken or defective. Please contact the store immediately.
2. This product is for home use only and not intended for commercial establishments.








ASSEMBLY TIME

30 MINUTES

PARTS IDENTIFICATION

A	BACK FRAME		1PC
B	FRONT LEG FRAME		1PC
C	SIDE RAIL		2PCS
DF	SEAT CUSHION		1PC

HARDWARE IDENTIFICATION

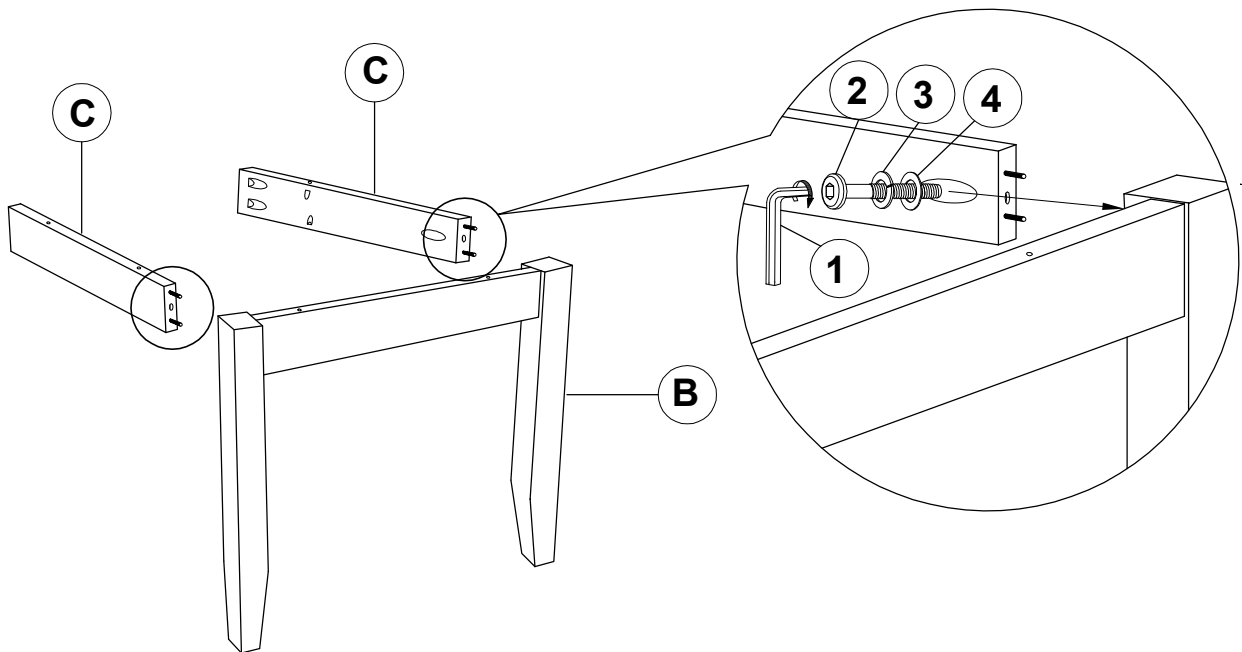
1	ALLEN WRENCH (M4 x 110MM - BLK)		1PC
2	BOLT (M6 x 50MM - RBW)		6PCS
3	LOCK WASHER (1/4" - BLK)		6PCS
4	FLAT WASHER (M6 x 13MM - RBW)		6PCS
5	PAN HEAD SCREW (#8 x 1 1/4" -BLK)		4PCS

NOTE :

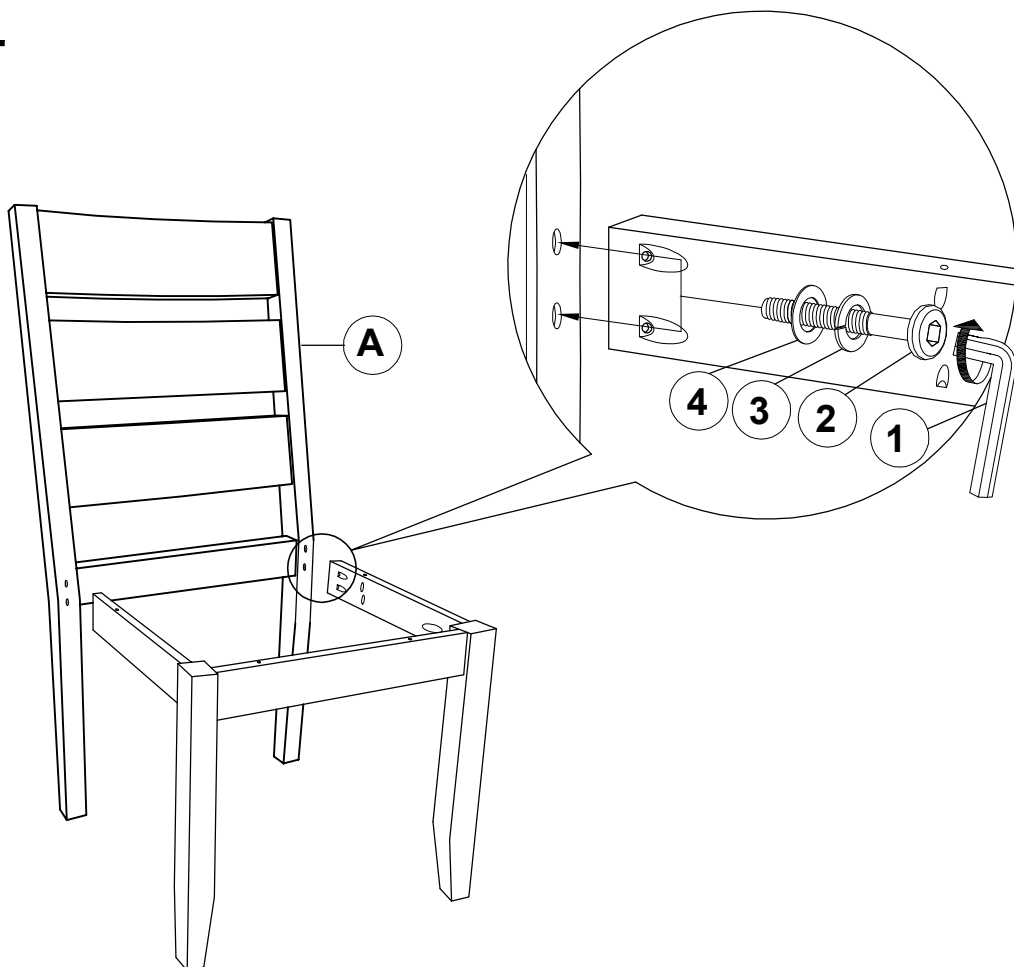
Phillips head screw driver is required in the assembly process. However, manufacturer does not provide this item. Quantities shown are for one chair.

ASSEMBLY INSTRUCTIONS

STEP 1

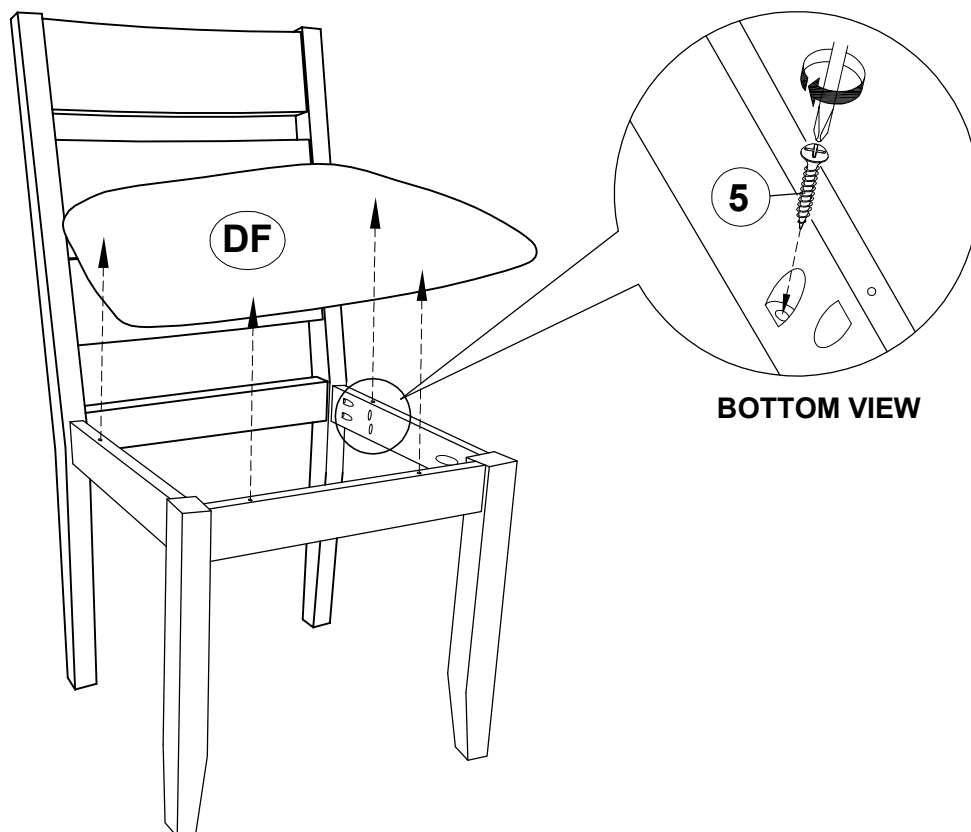


STEP 2



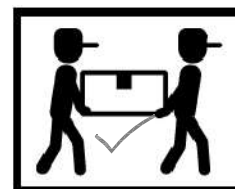
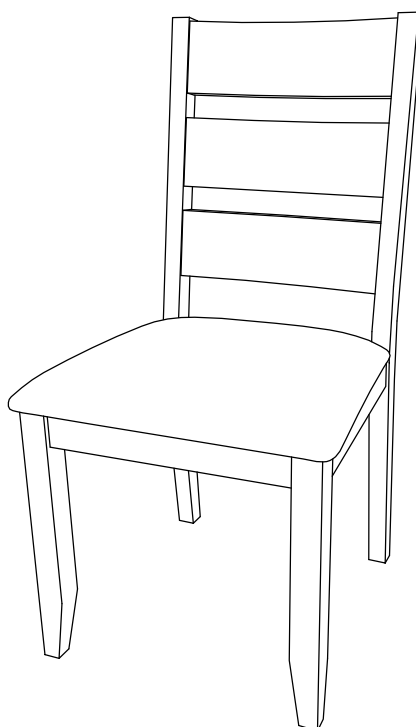
ASSEMBLY INSTRUCTIONS

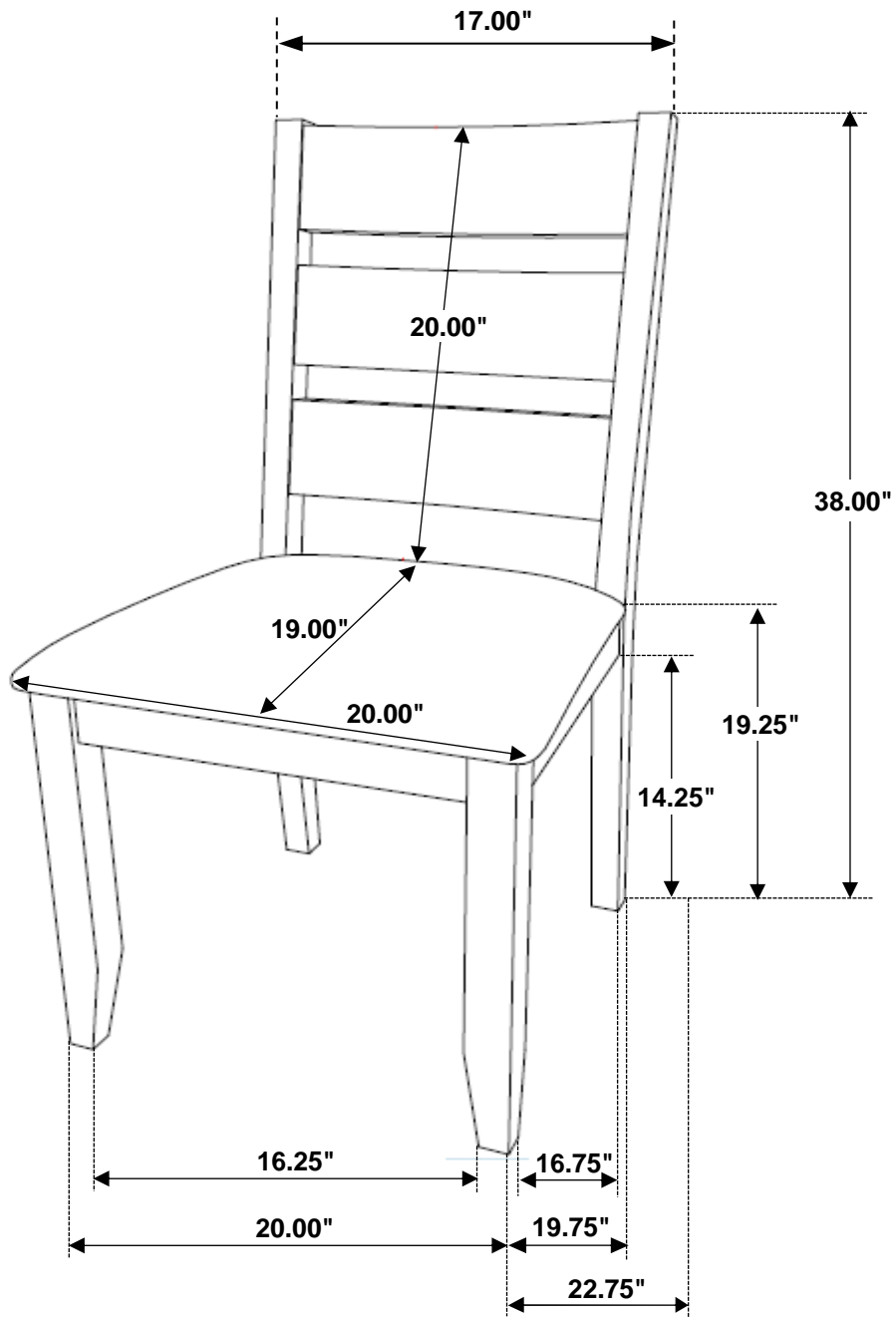
STEP 3



STEP 4

COMPLETE





Note: Dimension tolerance $\pm 5\%$

ASSEMBLY INSTRUCTIONS



Fine Furniture for every stage of life

Bench

REVISION 0: 07/02/2015
REVISION 1: 11/13/2020

PAGE 1 OF 3

ASSEMBLY INSTRUCTIONS

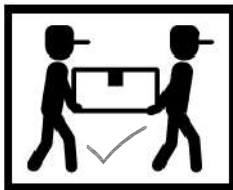
ASSEMBLY TIPS :

1. Remove hardware from box and sort by size.
2. Please check to see that all hardware and parts are present prior to start of assembly.
3. Please follow attached instructions in the same sequence as numbered to assure fast & easy assembly.



WARNING !

1. Don't attempt to repair or modify parts that are broken or defective. Please contact the store immediately.
2. This product is for home use only and not intended for commercial establishments.

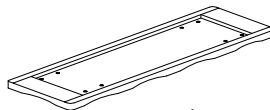


ASSEMBLY TIME

30 MINUTES

PARTS IDENTIFICATION

A SEAT



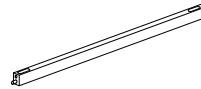
1PC

B LEG



2PCS

C TRESTLE BAR



1PC

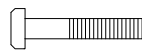
HARDWARE IDENTIFICATION

1 ALLEN WRENCH
(M4 x 110MM - BLK)



1PC

2 LONG BOLT
(M6 x 50MM - RBW)



2PCS

3 MEDIUM BOLT
(M6 x 30MM - RBW)



8PCS

4 LOCK WASHER
(1/4" - BLK)



10PCS

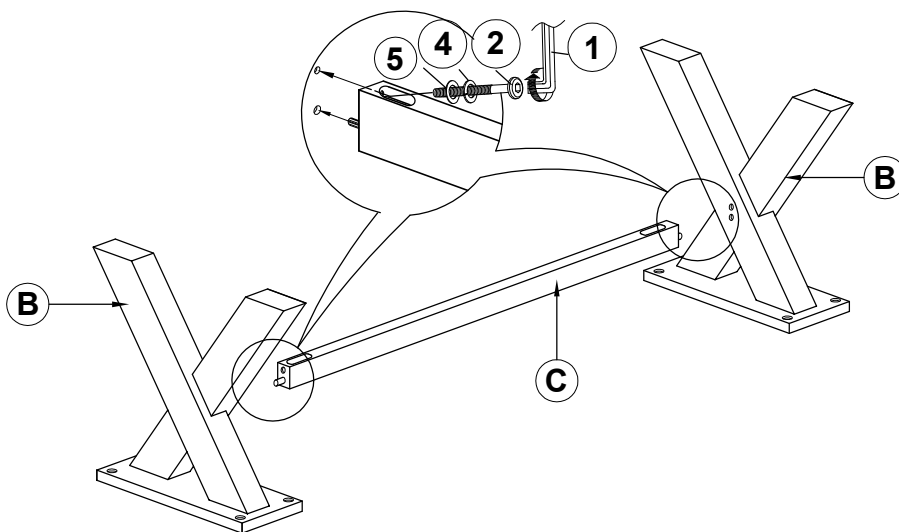
5 FLAT WASHER
(M6 X 13MM - RBW)



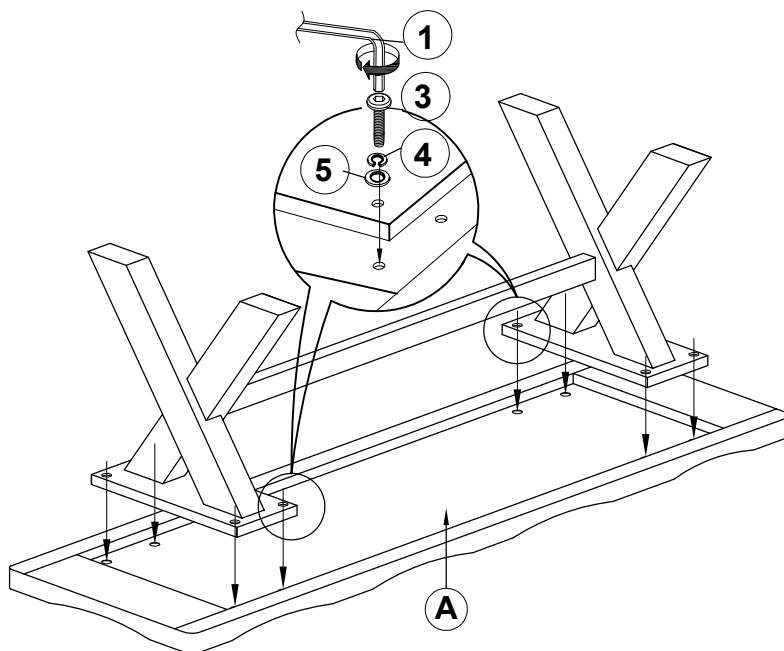
10PCS

ASSEMBLY INSTRUCTIONS

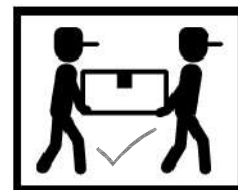
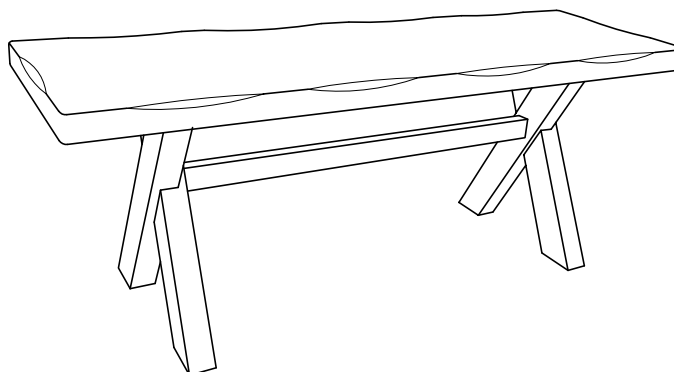
STEP 1

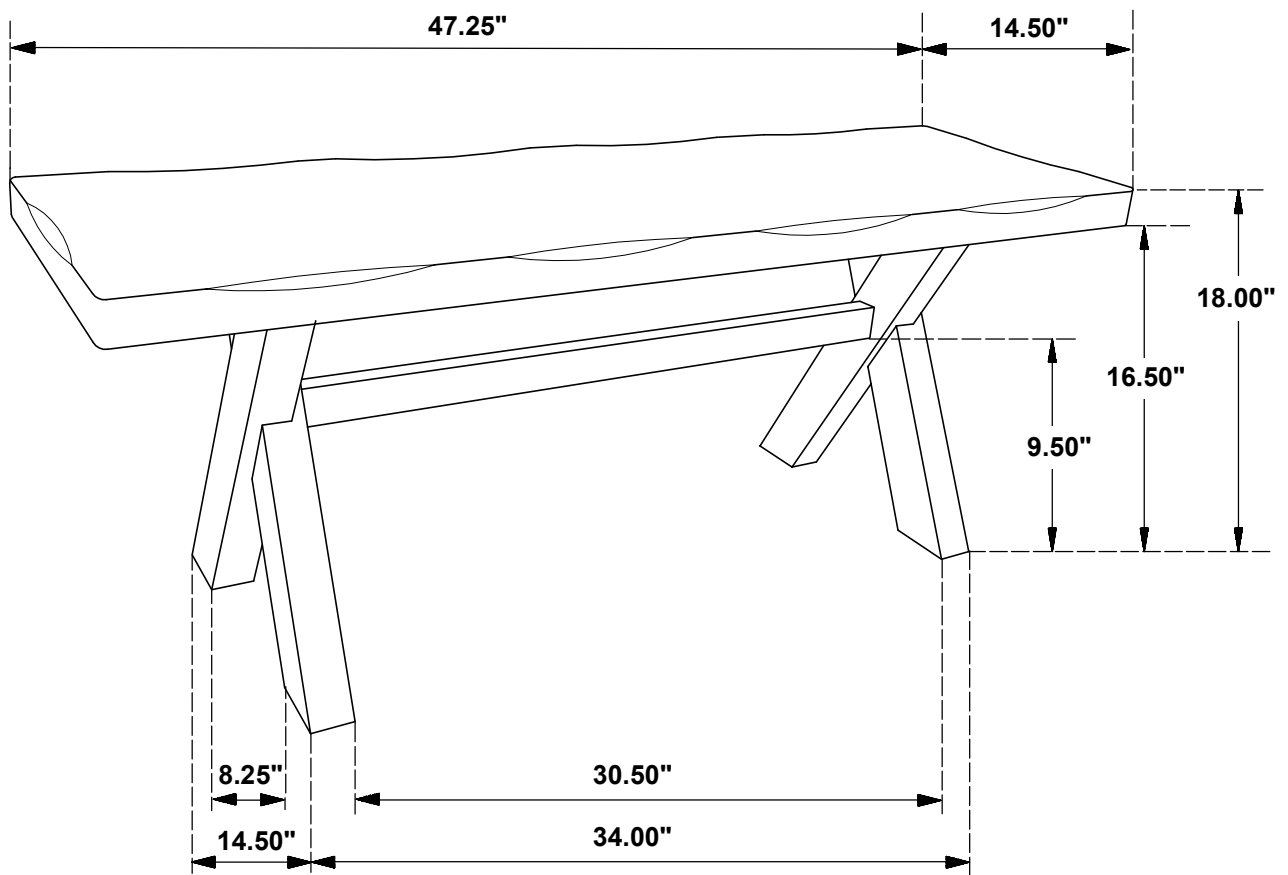


STEP 2



STEP 3 **COMPLETE**





Note: Dimension tolerance $\pm 5\%$