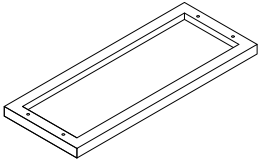


ASSEMBLY INSTRUCTION

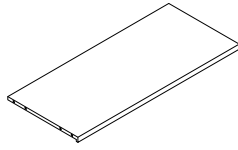
WALL DESK WITH USB CHARGER & WIRE MANAGEMENT

A Top Panel



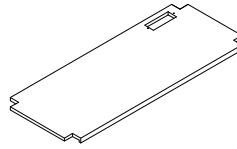
1pc

B Shelf Panel



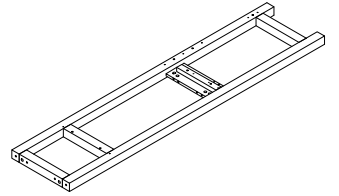
1pc

C Desk Top Panel



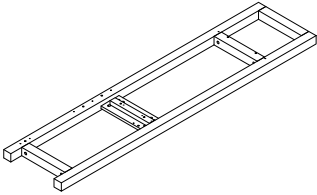
1pc

D Left Side Frame



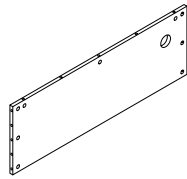
1pc

E Right Side Frame



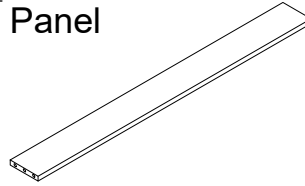
1pc

F Back Panel



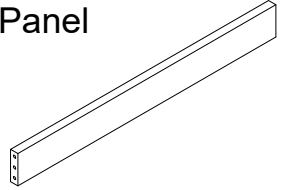
1pc

G Bottom Support Panel



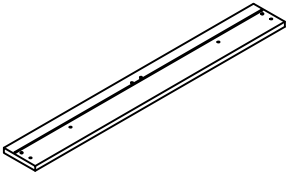
1pc

H Back Bottom Panel



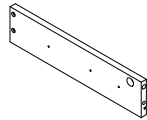
1pc

I Drawer Front Panel



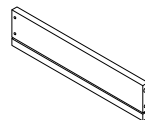
1pc

J Drawer Side Panel - L



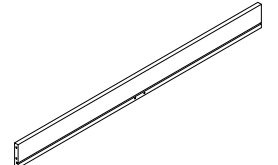
1pc

K Drawer Side Panel - R



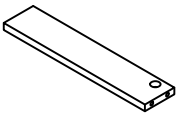
1pc

L Drawer Back Panel



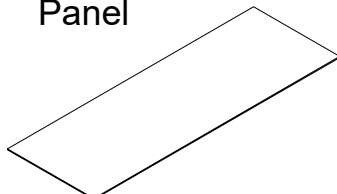
1pc

M Drawer Support Panel



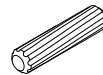
1pc

N Drawer Bottom Panel



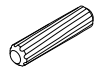
1pc

O Wood Dowel
Ø8*30mm



22pcs

P Wood Dowel
Ø6*30mm



3pcs

Q Nut
Ø15*12mm



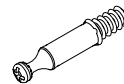
25pcs

R Nut
Ø15*9mm



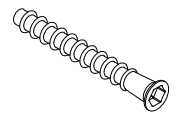
3pcs

S Bolt
Ø5*25mm



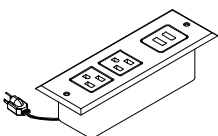
28pcs

T Screw
Ø6*50mm



4pcs

U Adaptor



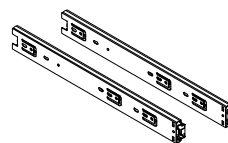
1pc

V Screw
Ø3*12mm



2pcs

W Slide Rail



1set

X Screw
Ø3.5*12mm



12pcs

Y Knob



2pcs

Z Bolt
Ø4*22mm



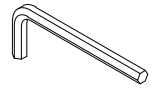
2pcs

AA Screw
Ø4*30mm



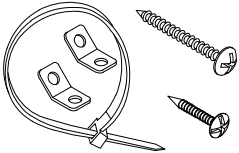
6pcs

AB Allen Key
M4



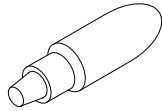
1pc

AC Anti-Tipping Kit



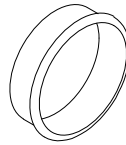
2sets

AD Glue



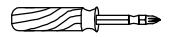
1pc

AE Grommet
Ø50

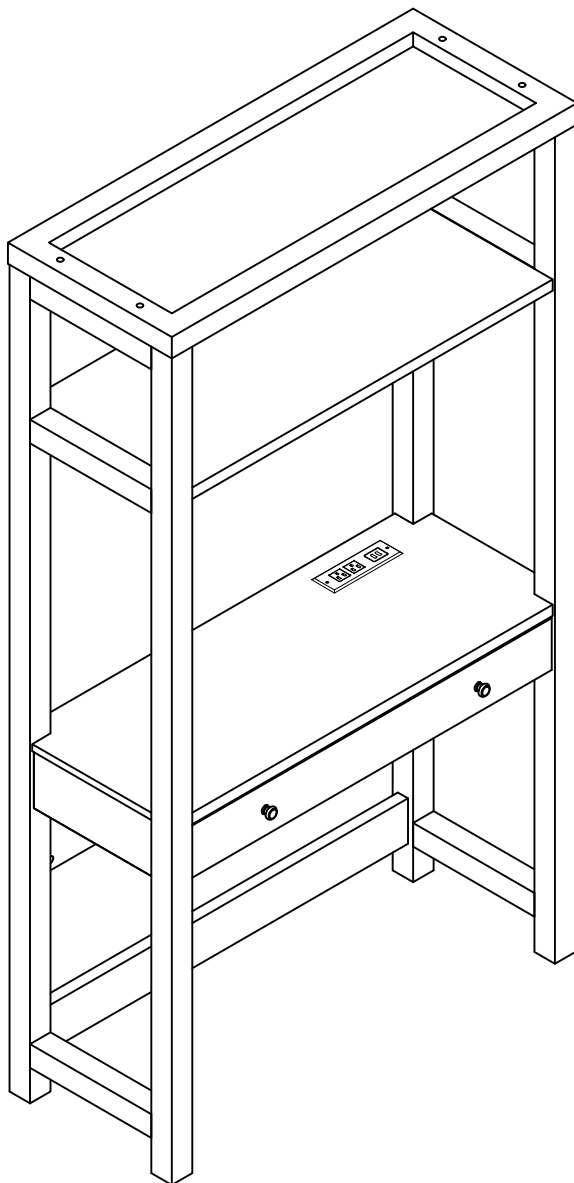


1pc

AF Screwdriver
(Not Provided)



1pc

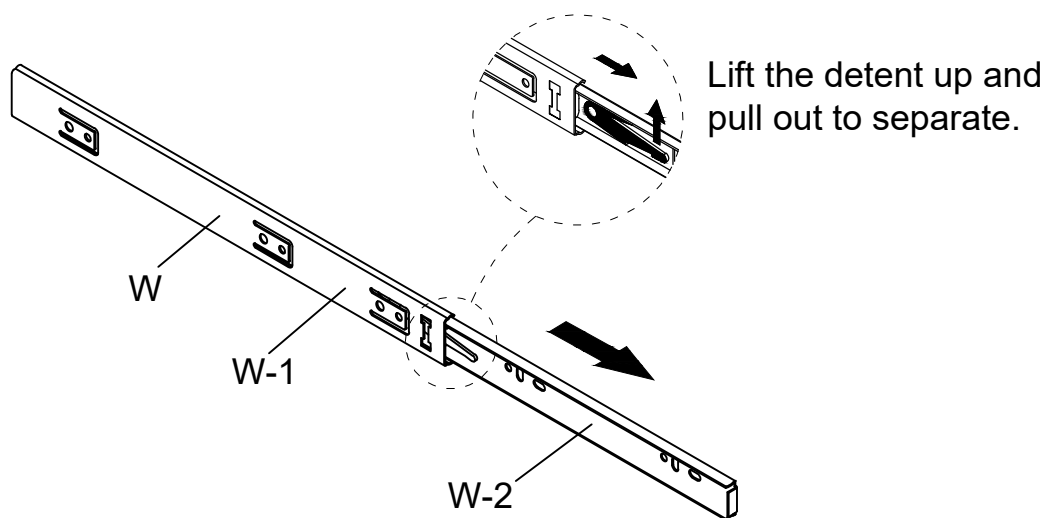


This first page and second page list all the contents included in the box. Please take the time to identify the hardware as well as the individual components to this product. As you unpack and prepare for assembly, place the contents on a carpeted or padded area to protect them from damage.

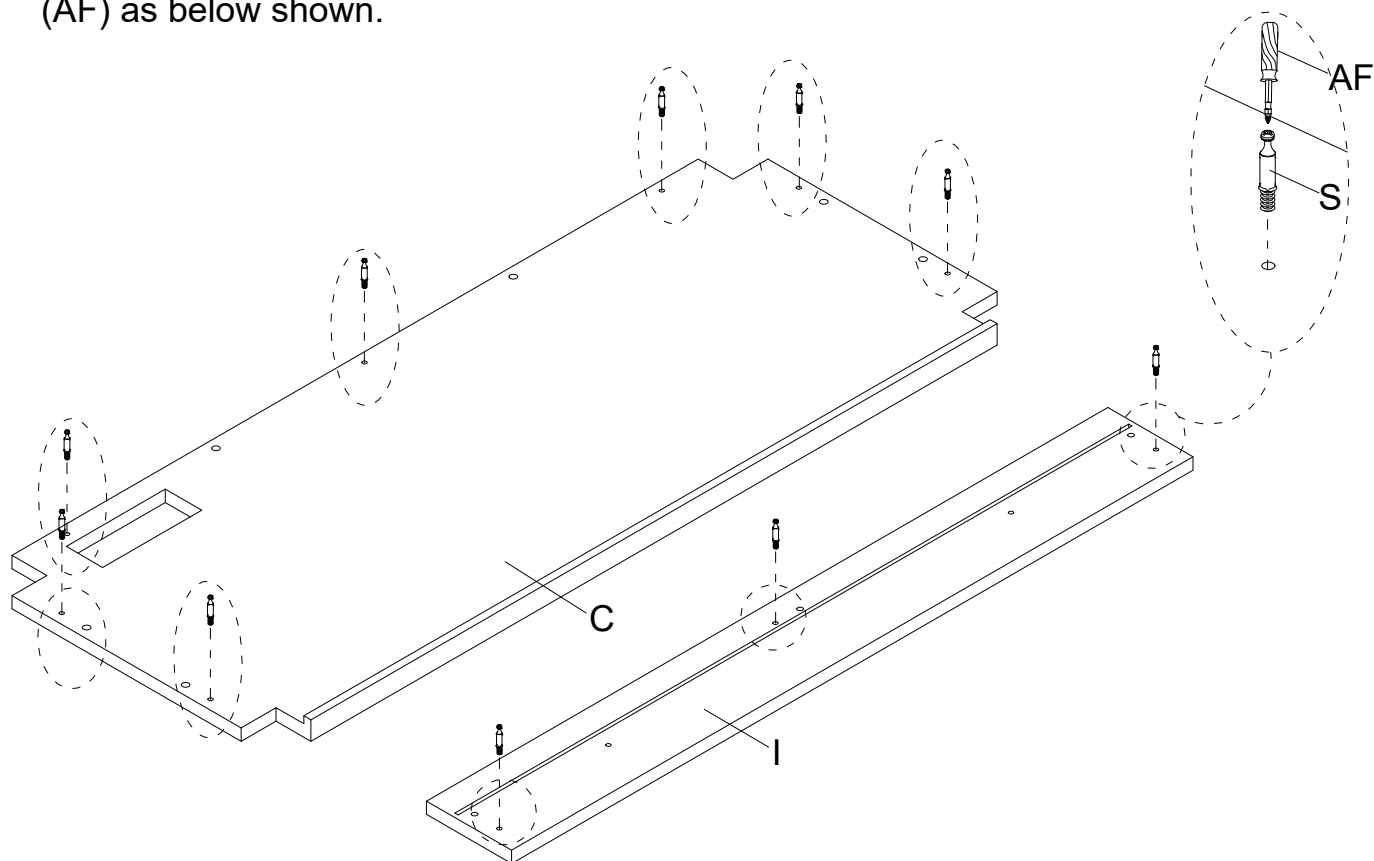
ASSEMBLY

Do not fully tighten all bolts until assembly is complete. This will help all parts to assemble properly.

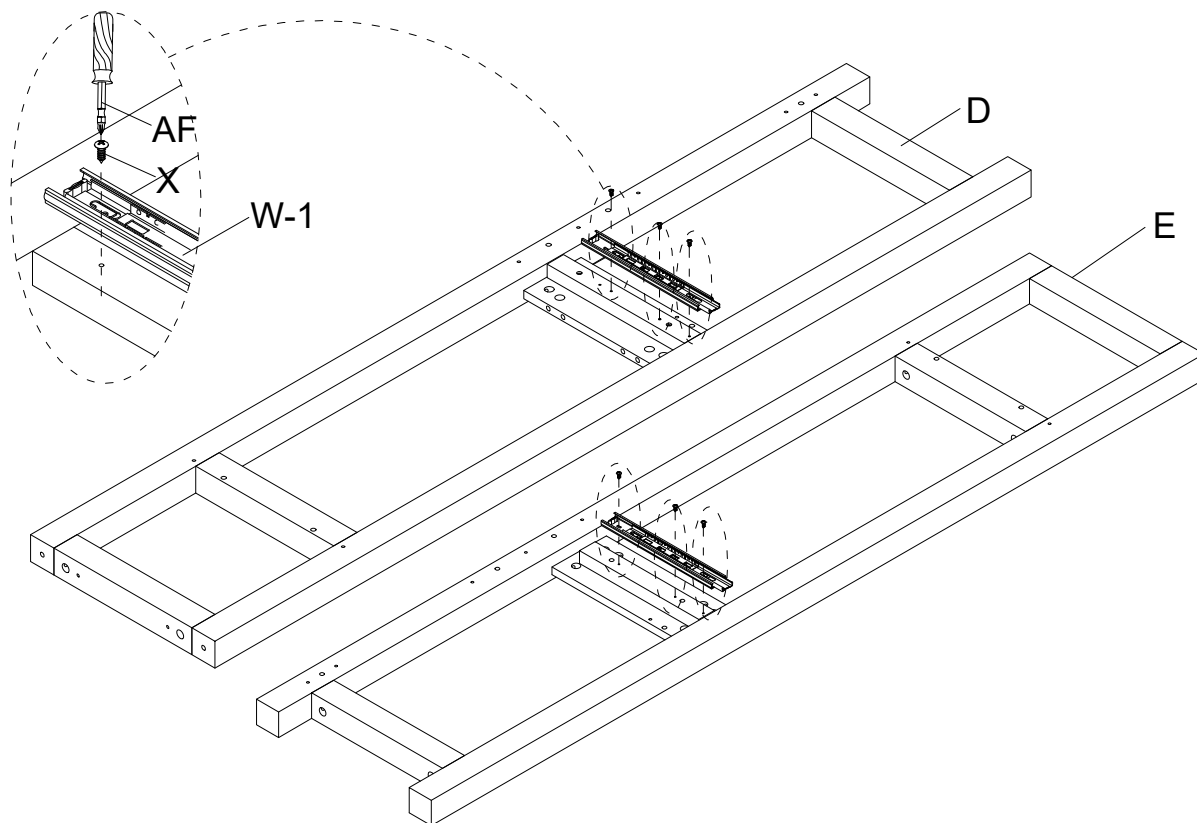
- 1** Pull out Slide Rail (W) fully extended, a hold-in detent can be seen or touched on slide runners.



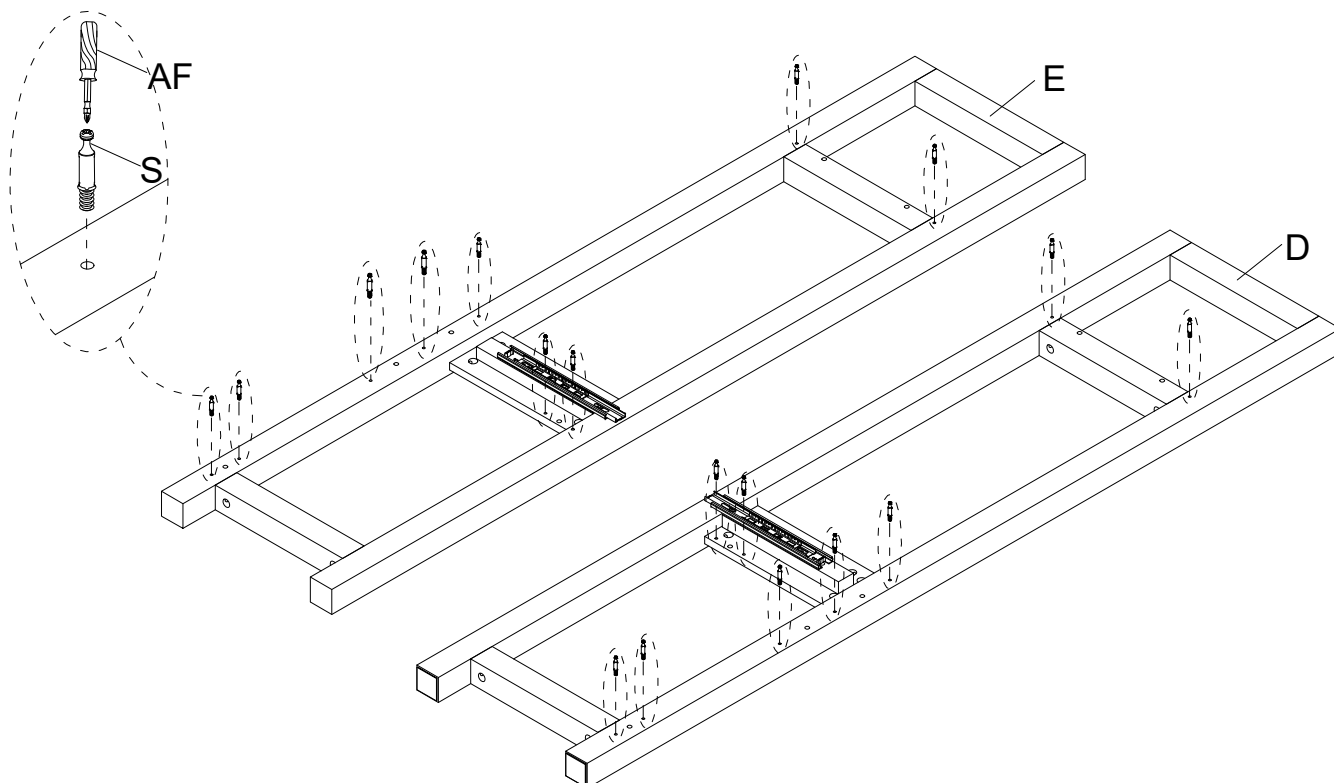
- 2** Insert Bolt (S) into Drawer Front Panel (I) and Desk Box Top (C) by Screwdriver (AF) as below shown.



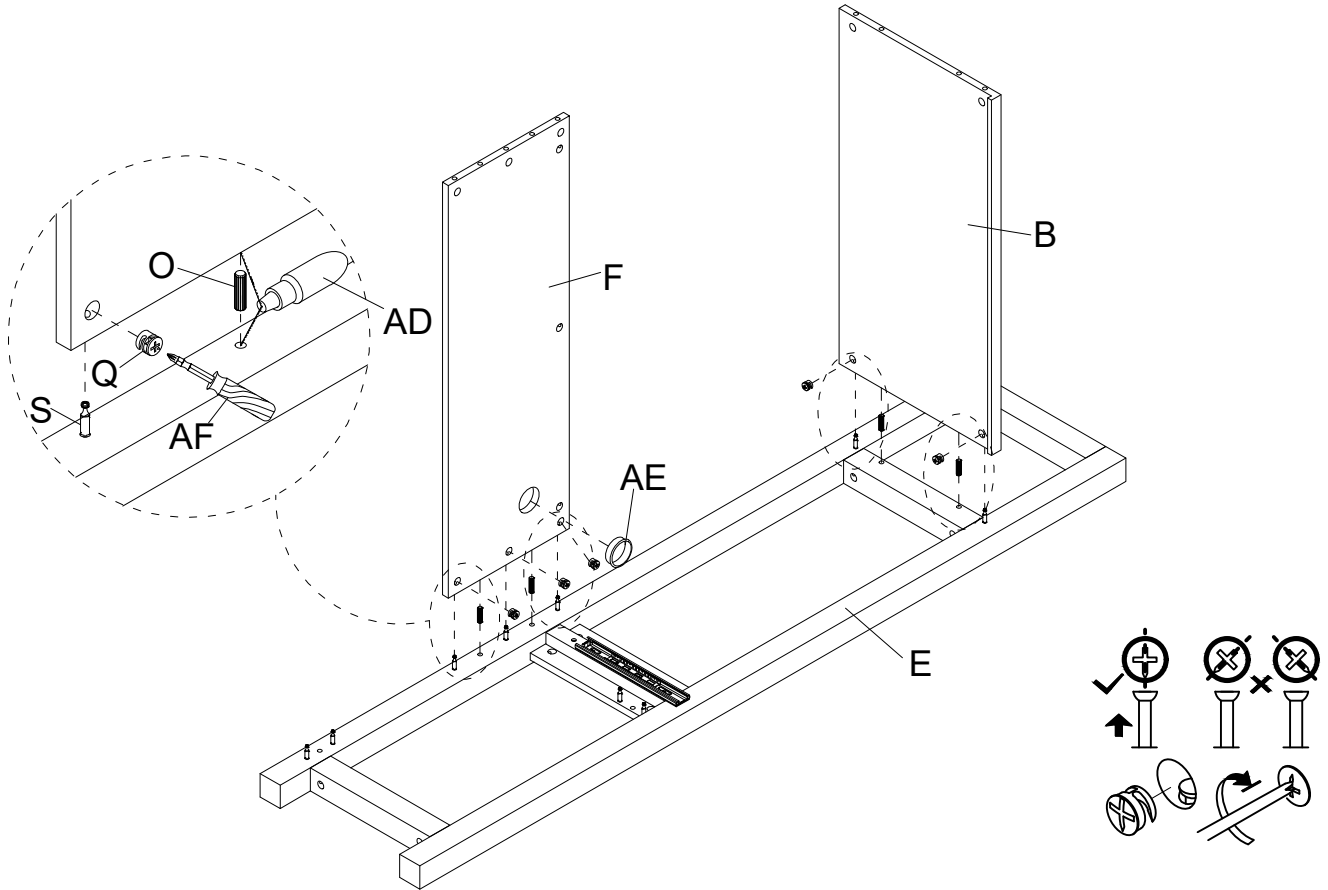
3 Assemble part one of Slide Rail (W-1) to Left Side Frame (D) and Right Side Frame (E) using Screw (X) by Screwdriver (AF) as below shown.



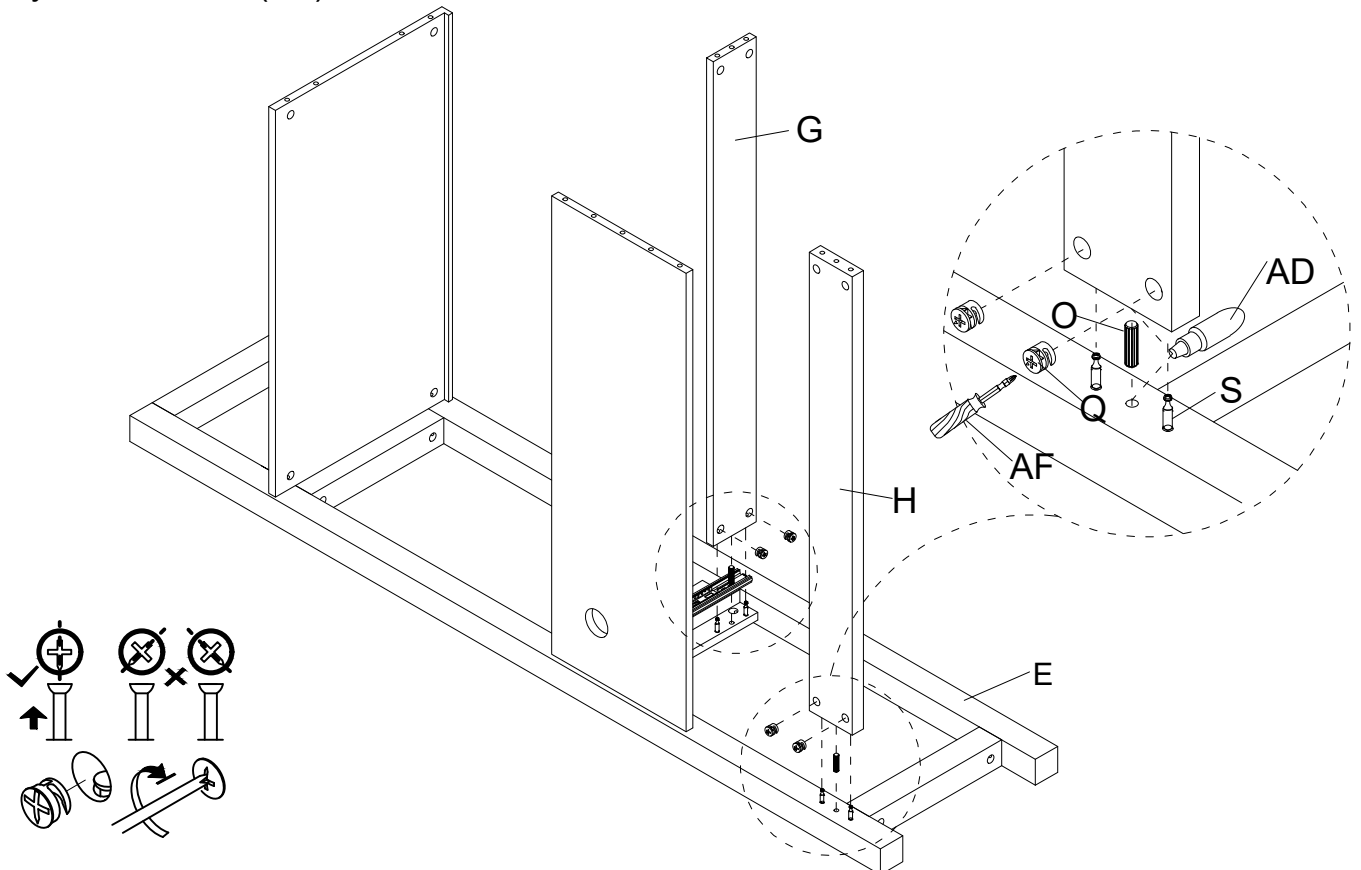
4 Insert Bolt (S) into Left Side Frame (D) and Right Side Frame (E) by Screwdriver (AF) as below shown.



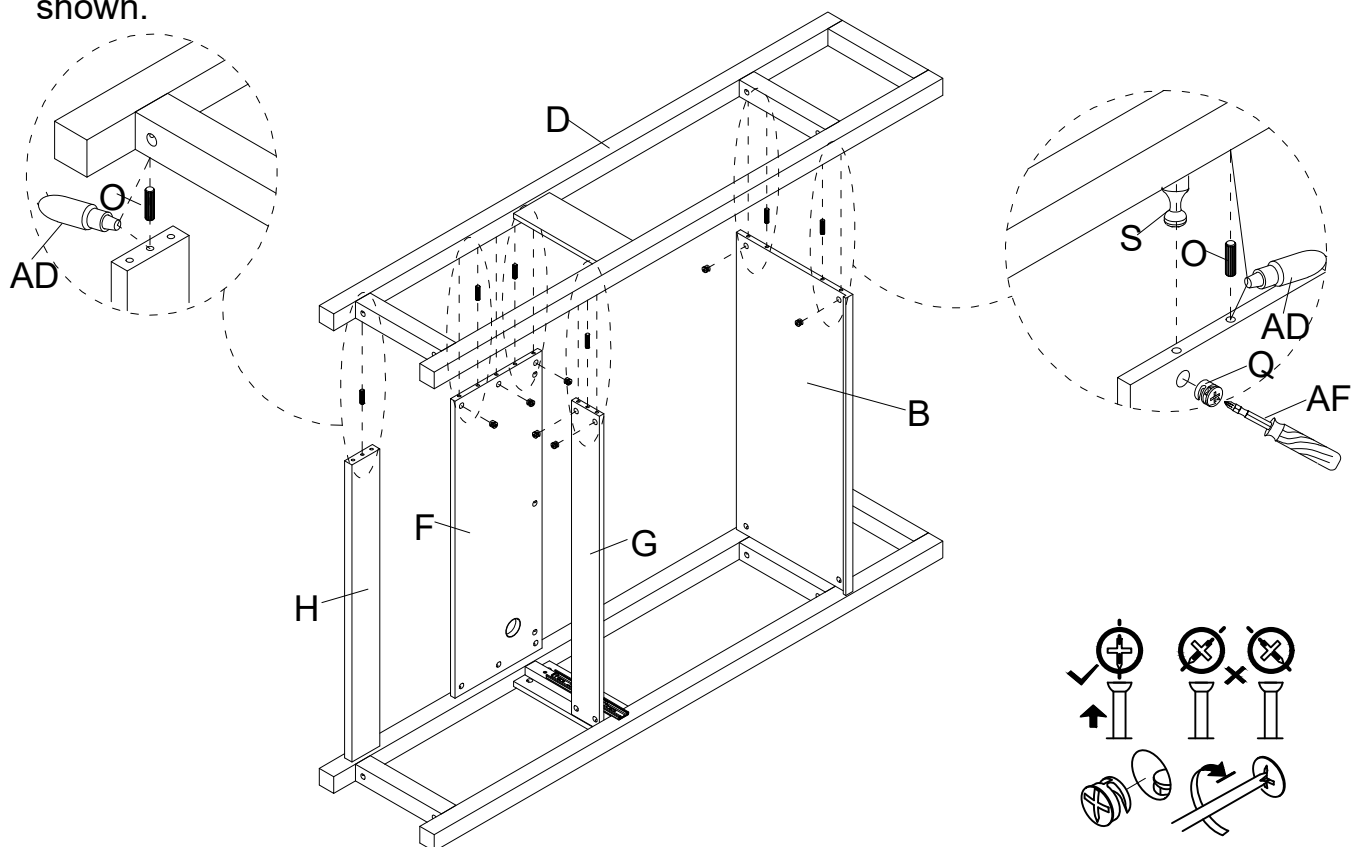
- 5** Assemble Back Panel (F) and Shelf Panel (B) to Right Side Frame (E), using Glue (AD) & Wood Dowel (O) first, then attach Nut (Q) to Bolt (S) by Screwdriver (AF), put Grommet (AE) to Back Panel (F) as below shown.



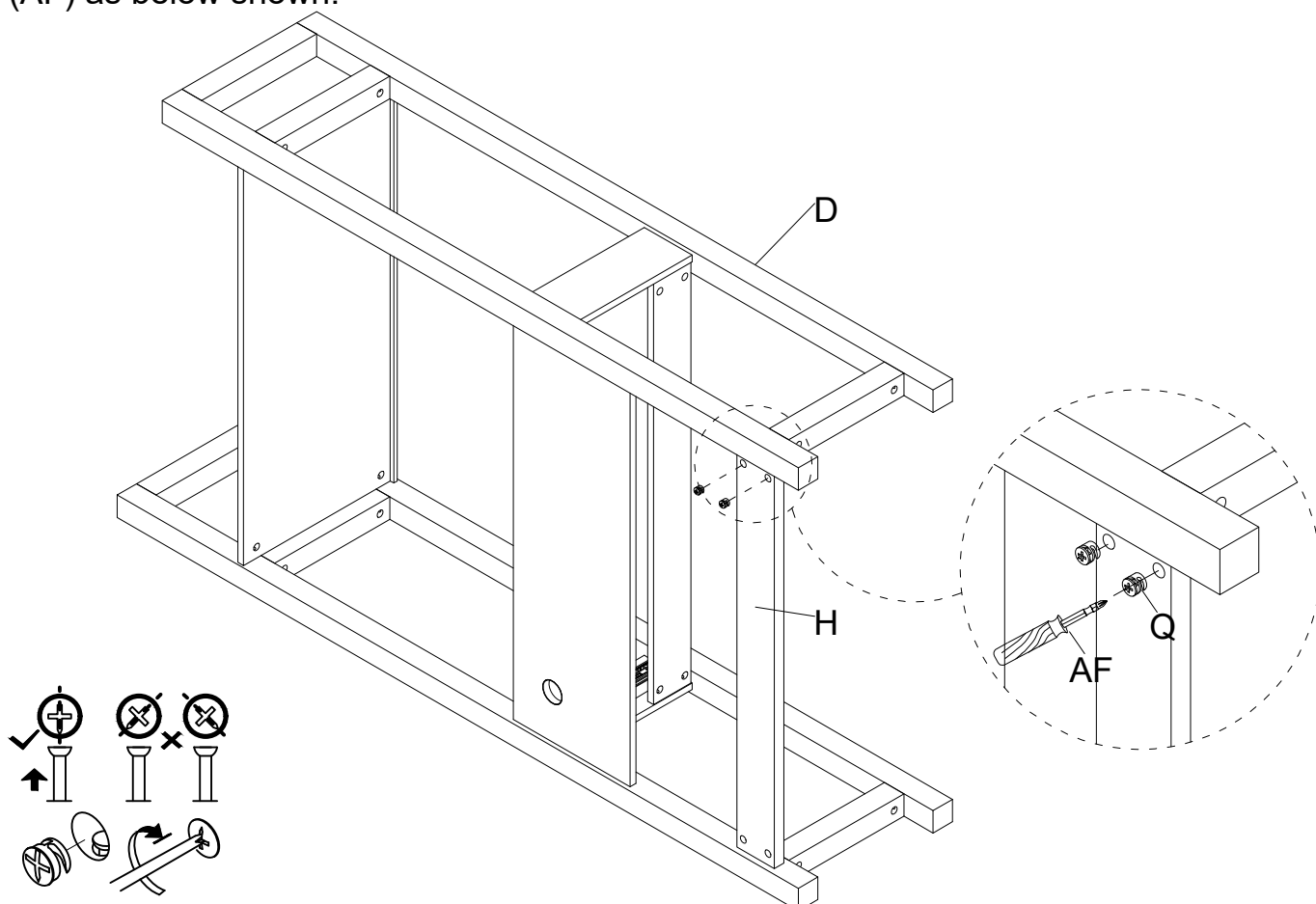
- 6** Assemble Bottom Support Panel (G) and Back Bottom Panel (H) to Right Side Frame (E), using Glue (AD) & Wood Dowel (O) first, then attach Nut (Q) to Bolt (S) by Screwdriver (AF) as below shown.



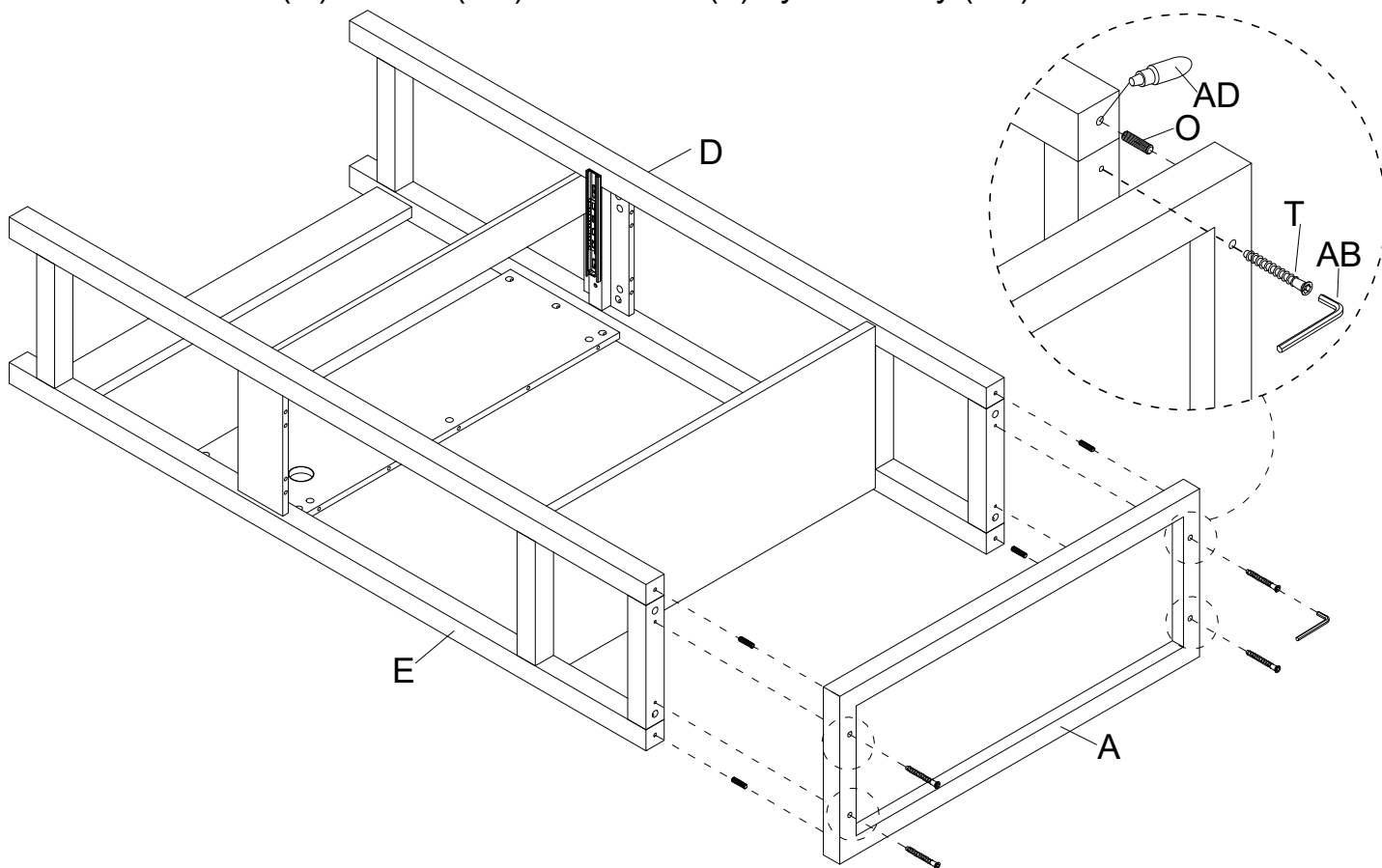
7 Assemble Left Side Frame (D) to pre-assembled Bottom Support Panel (G) and Back Bottom Panel (H), Back Panel (F) and Shelf Panel (B), using Glue (AD) & Wood Dowel (O) first, then attach Nut (Q) to Bolt (S) by Screwdriver (AF) as below shown.



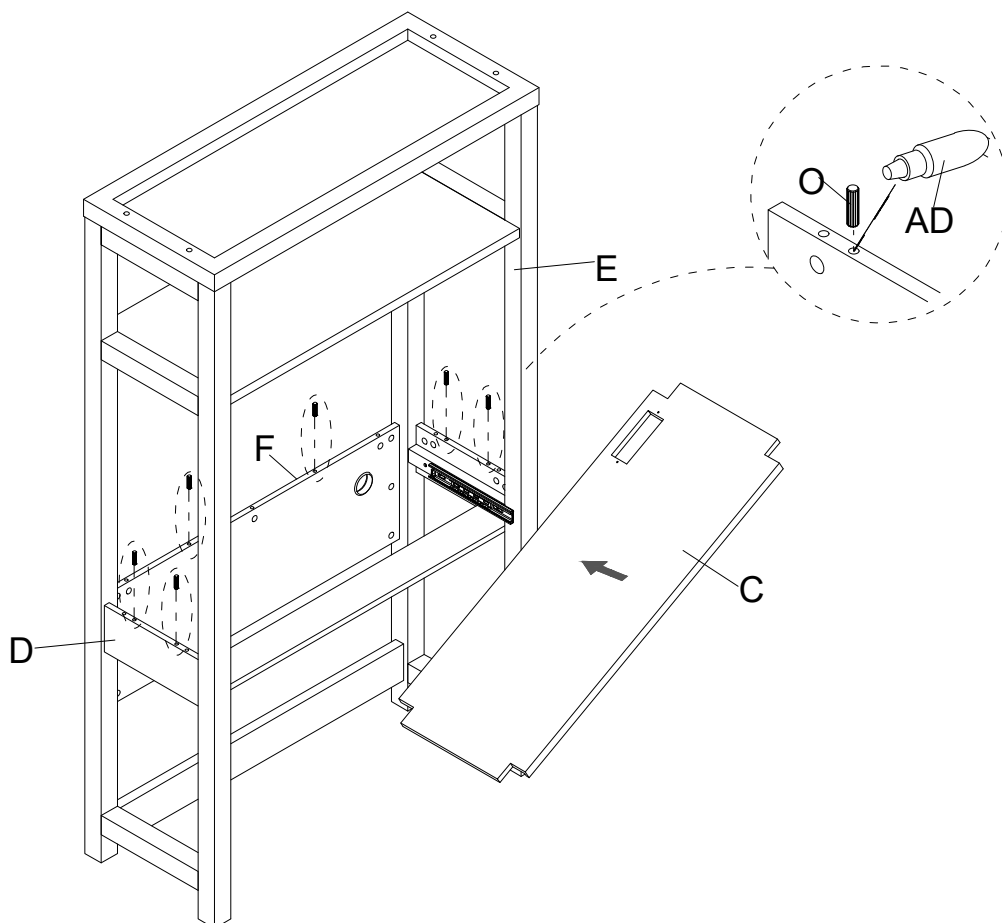
8 Assemble Back Bottom Panel (H) to Side Frame (D), using Nut (Q) by Screwdriver (AF) as below shown.



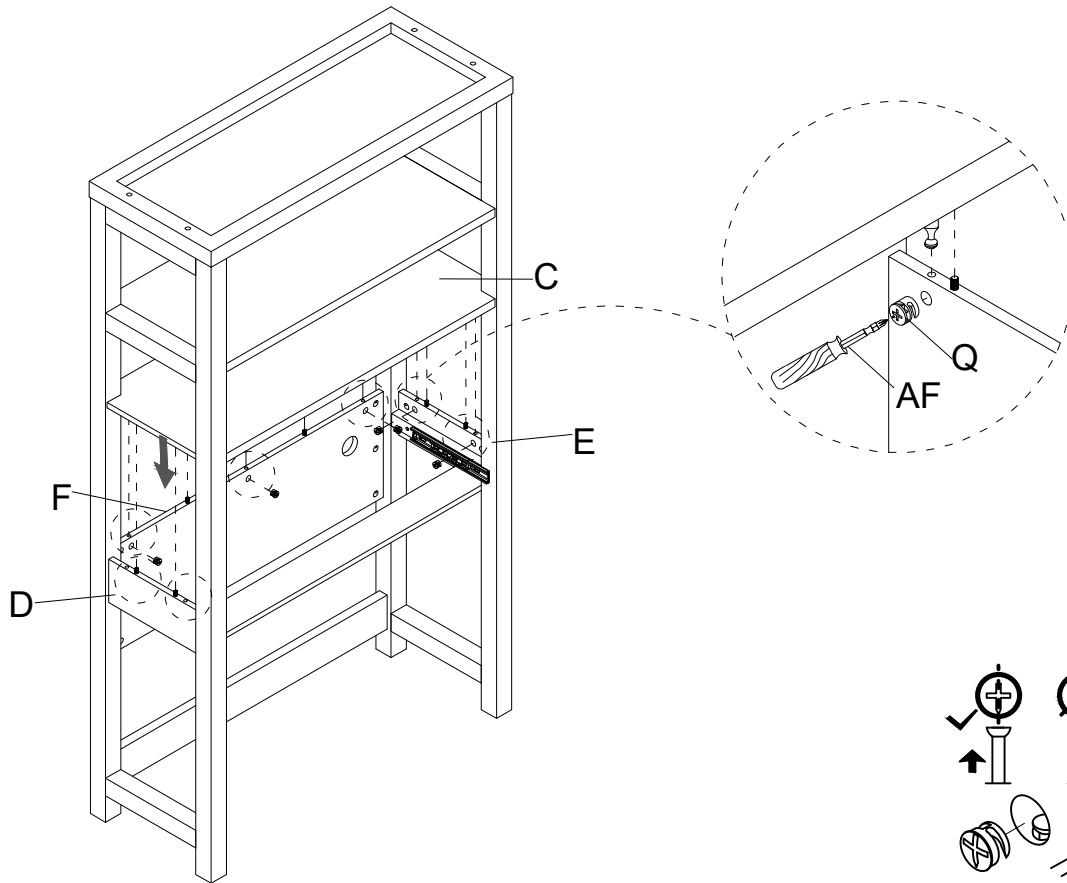
9 Assemble Top Frame (A) to Left Side frame (D) & Right Side Frame (E) using Wood Dowel (O) & Glue (AD) and Screw (T) by Allen Key (AB) as below shown.



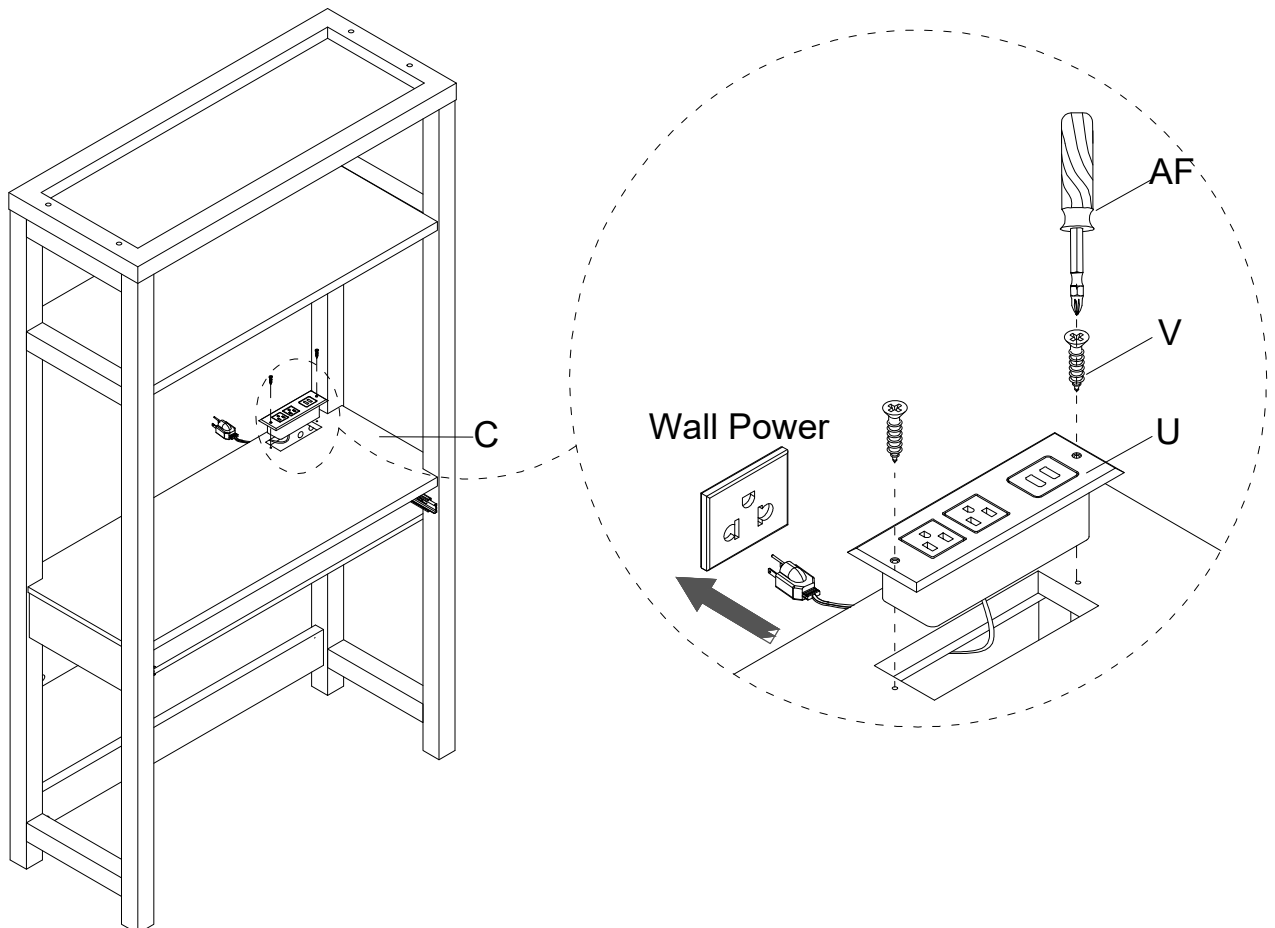
10 Insert Wood Dowel (O) to Left side frame (D), Right Side Frame (E) and Back Panel (F) with Glue (AD), Put Desk Box Top (C) slanted to space as below shown.



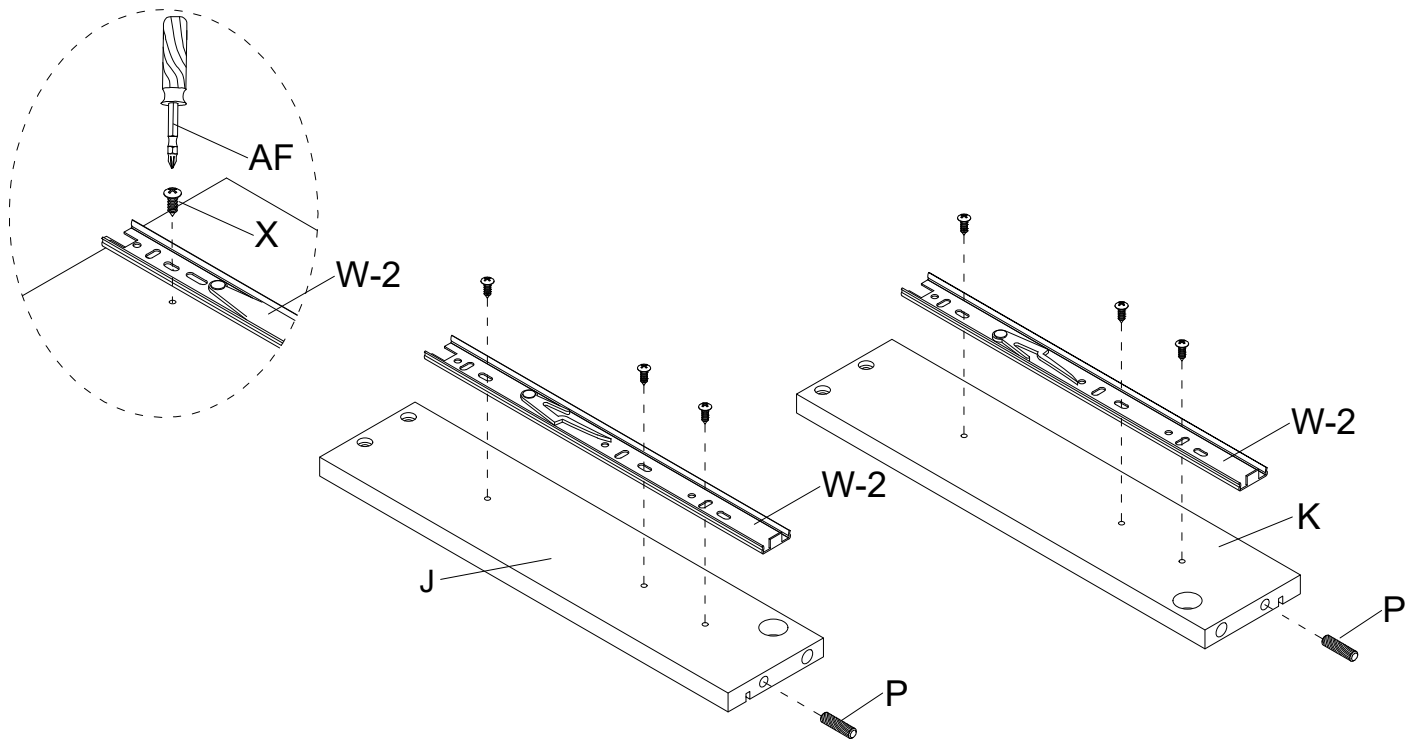
11 Put Desk Box Top (C) to the top of Back Panel (F), Left side frame (D) and Right Side Frame (E) using Nut (Q) by Screwdriver (AF) as below shown.



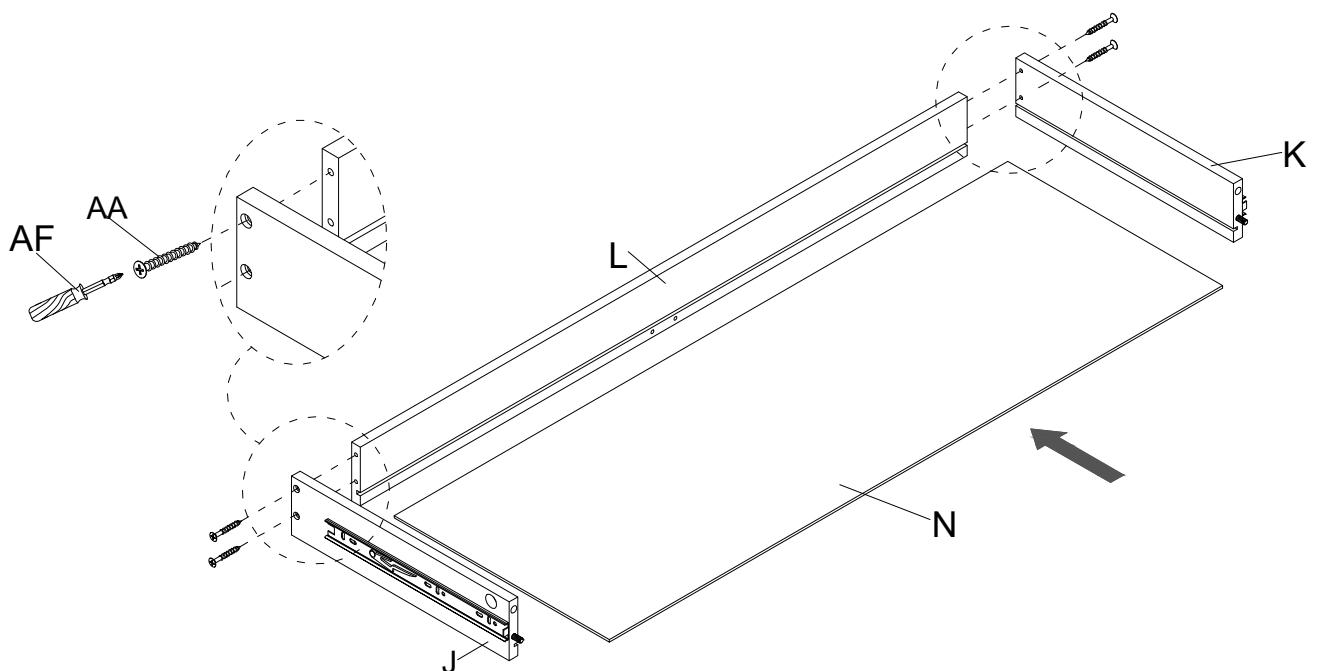
12 Attach Adaptor (U) to the hole of Desk Box Top (C), using Screw (V) by Screwdriver (AF) as below shown.



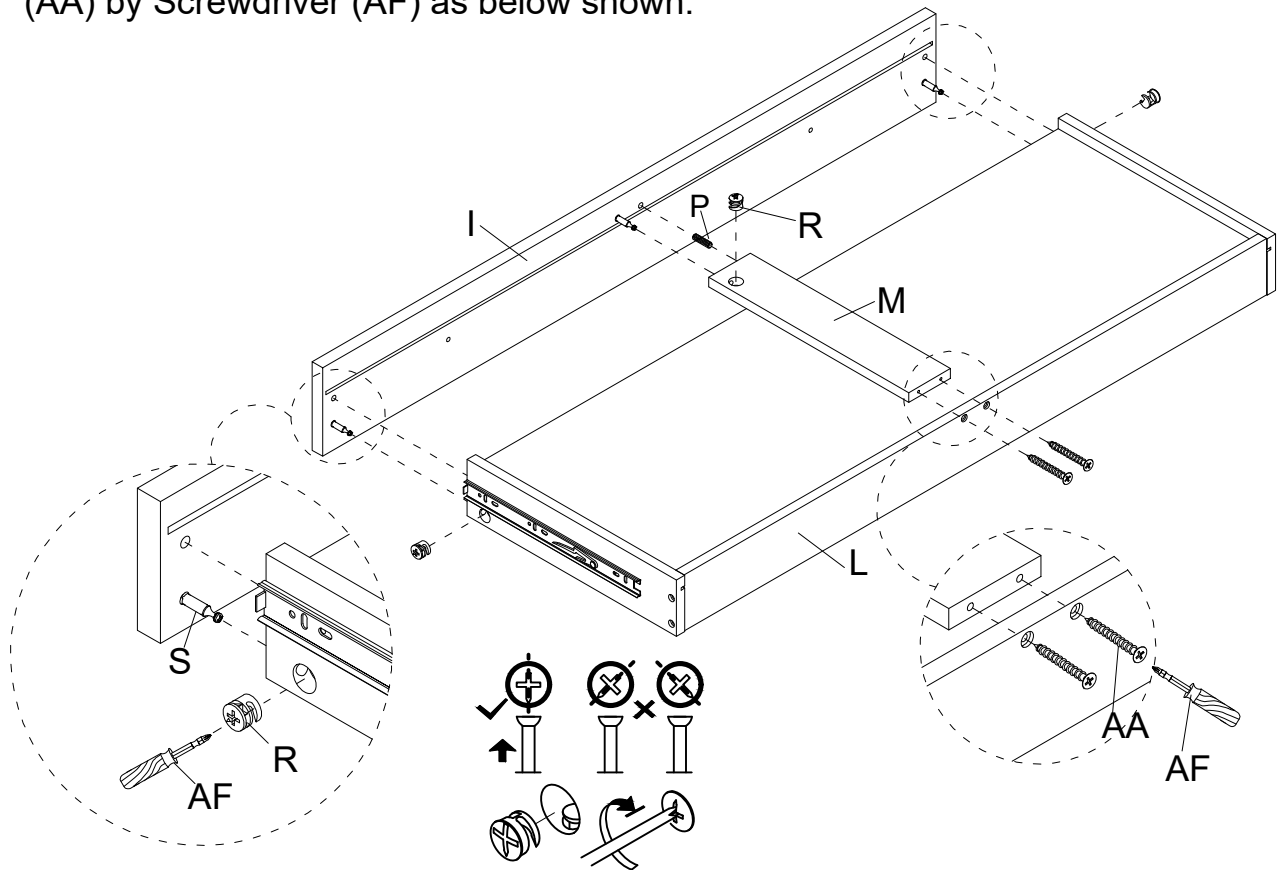
- 13** Assemble part 2 of Slide Rail (W-2) to Drawer Side Panel - L (J) and Drawer Side Panel - R (K), using Screw (X) to tighten by Screwdriver (AF). Insert Wood Dowel (P) to Drawer Side Panel - L (J) & Drawer Side Panel - R (K) as below shown.



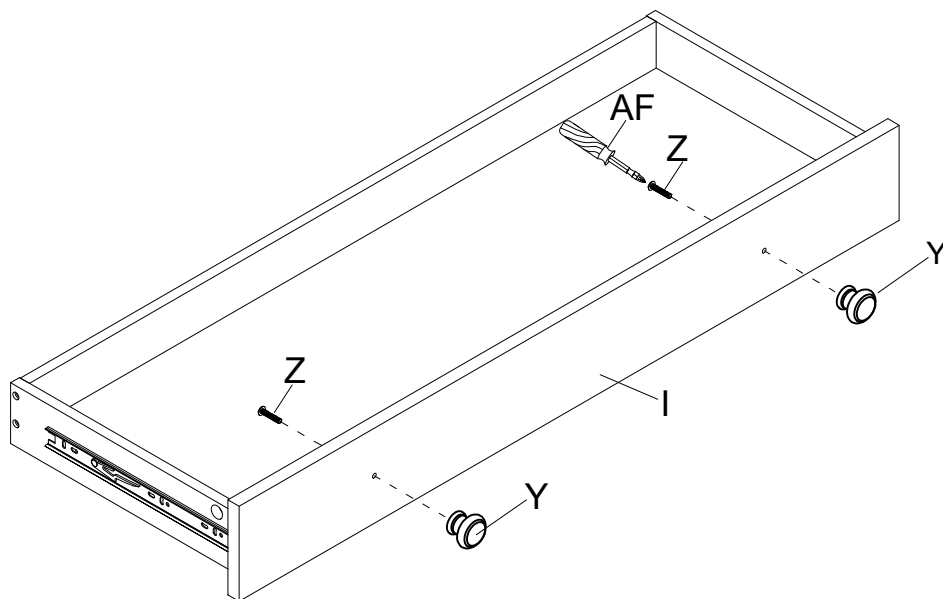
- 14** Insert Drawer Bottom Panel (N) into Drawer Side Panel - L (J), Drawer Side Panel - R (K) and Drawer Back Panel (L), then using Screw (AA) by Screwdriver (AF) to assemble Drawer Side Panel - L (J), Drawer Side Panel - R (K) with Drawer Back Panel (L) as below shown.



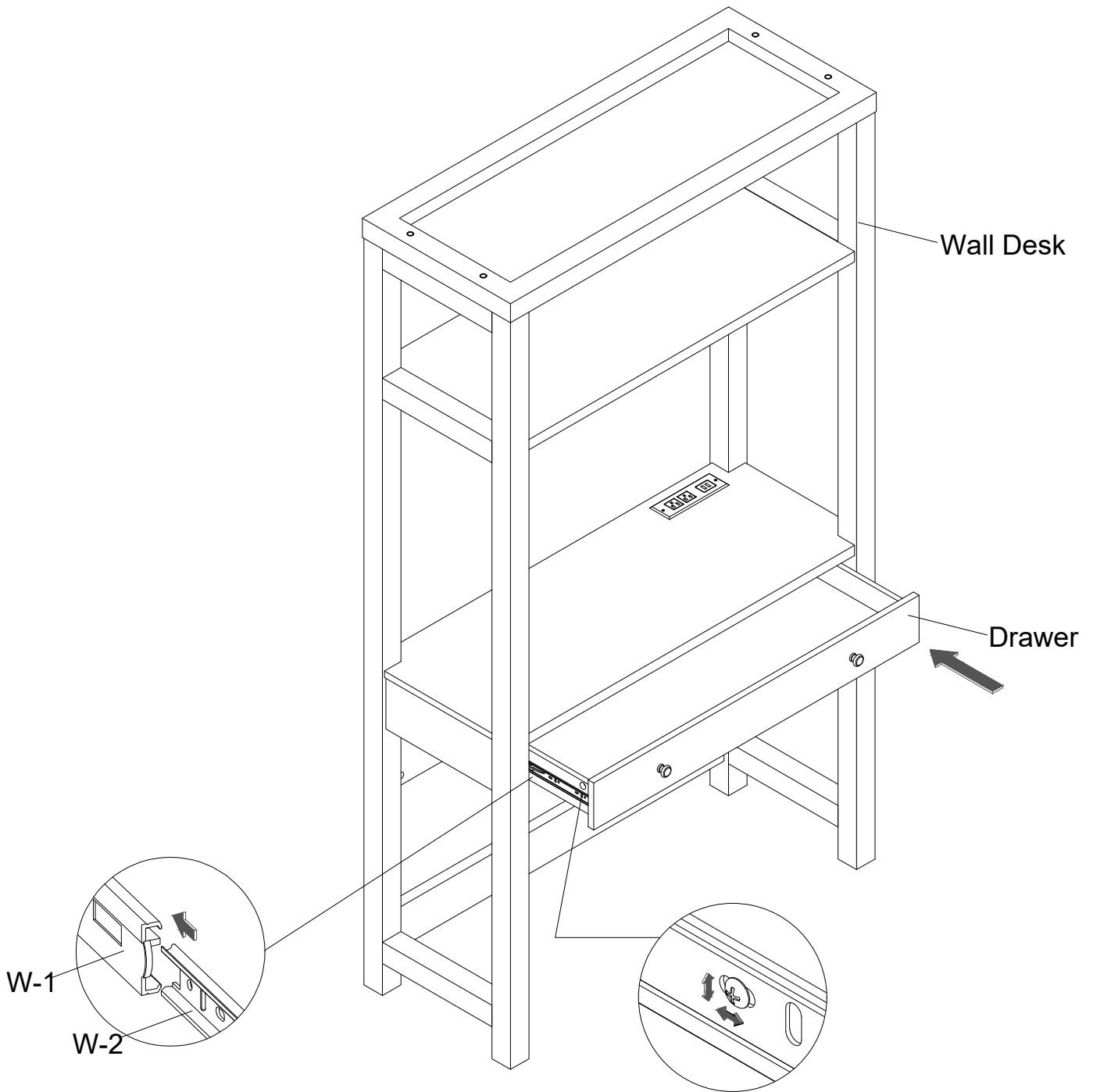
- 15** Insert Wood Dowel (P) to Drawer Support Panel (M) first, assemble Drawer Front Panel (I) to pre-assembled drawer box using Nut (R) to Bolt (S) by Screwdriver (AF), assemble Drawer Back Panel (L) to Drawer Support Panel (M) using Screw (AA) by Screwdriver (AF) as below shown.



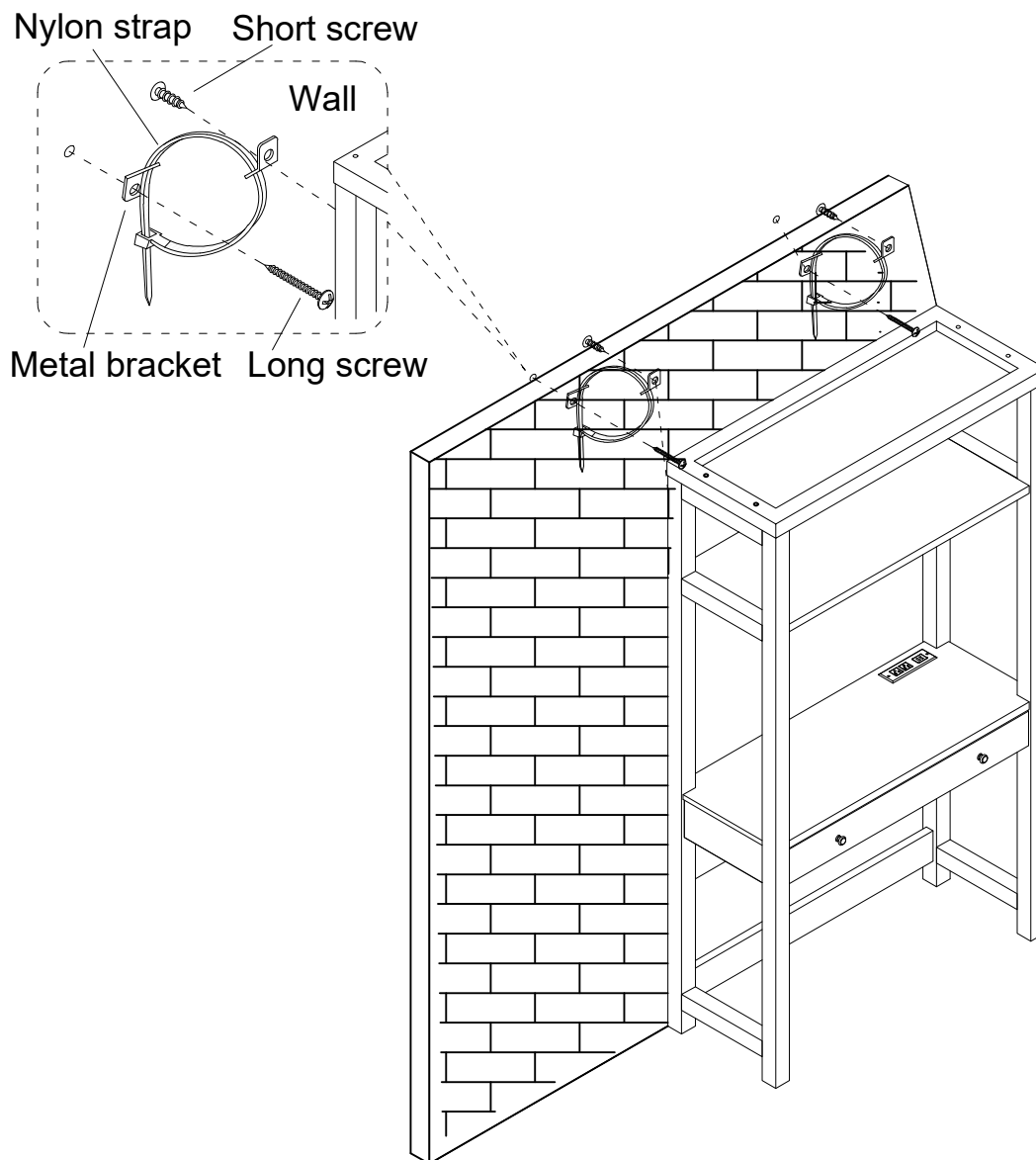
- 16** Attach Knob (Y) to Drawer Front Panel (I), using Bolt (Z) by Screwdriver (AF) as below shown.



- 17** Attach the pre-assembled drawer by using Slide Rail (W) to the pre-assembled Wall Desk. Move slide ball spacers to front. Hold drawer horizontally, and slide runners into ball spacers.



- 18** Remark: there is an Anti-Tipping Kit (AC) provided on the back of this product. Please read the instruction thoroughly and install immediately when placed in home. To prevent tip over, the product must be attached to wall.



Cleaning & Care

Treat surface with care. Surface is resistant to scratches but is not scratch resistant. Clean surfaces with a dry or damp soft cloth. Do not use abrasive cleaners. Hardware may loosen over time. Periodically check that all connections are tight.