

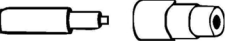




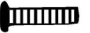




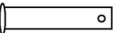
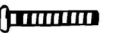

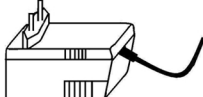
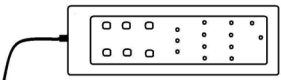
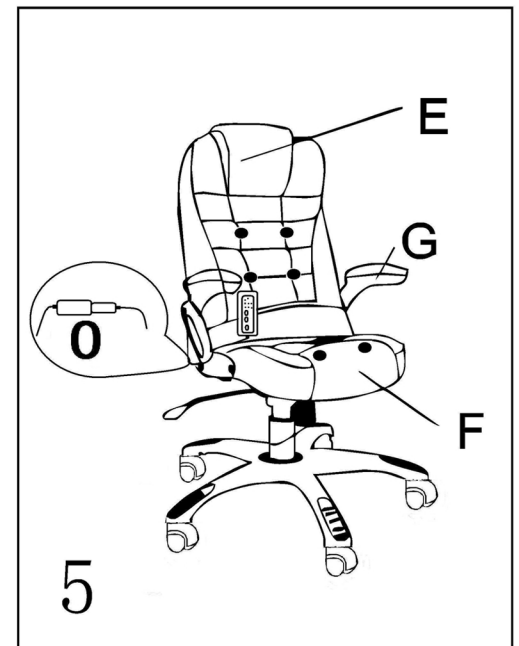
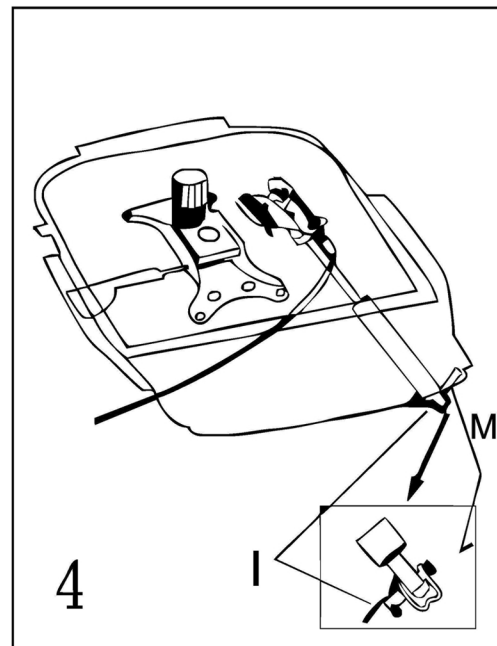
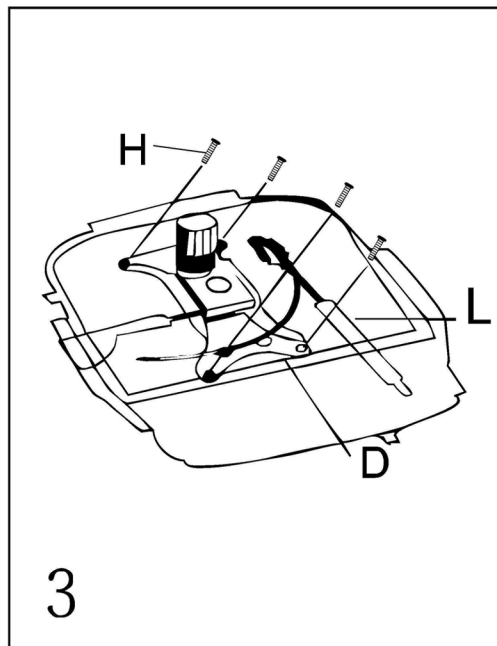
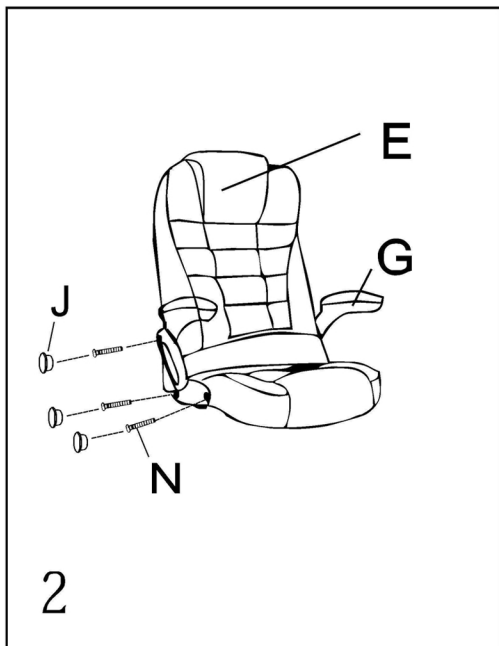
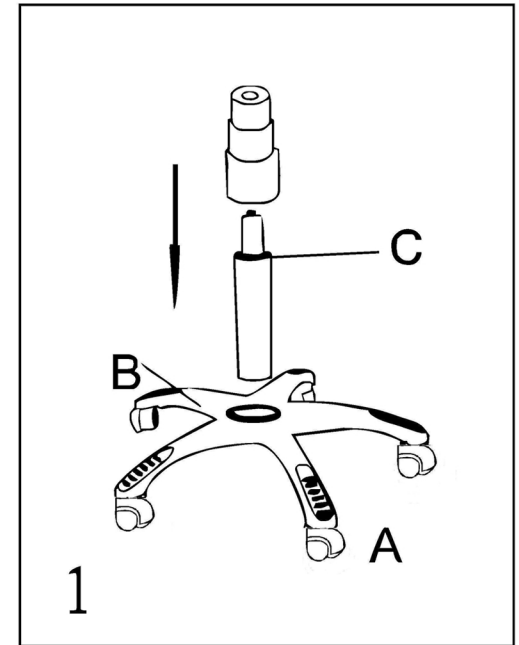


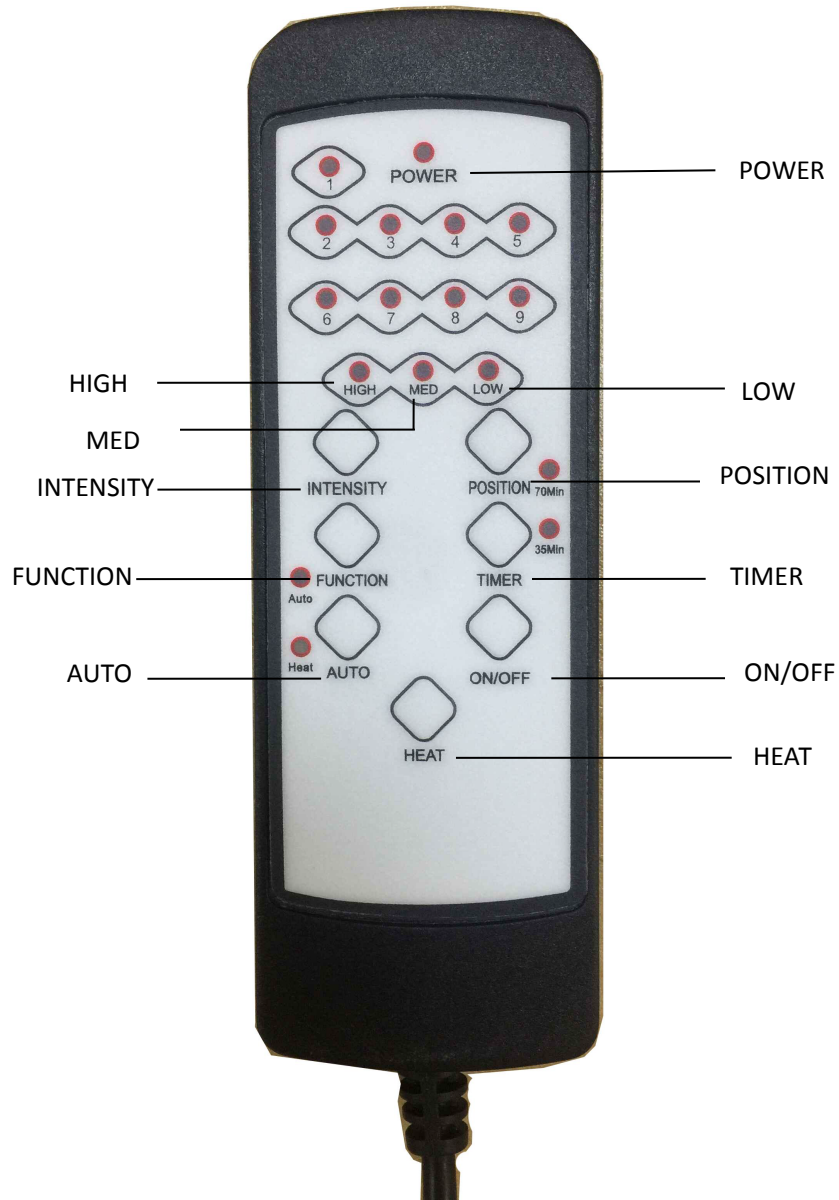
# ASSEMBLY INSTRUCTION

A		5
B		1
C		1
D		1
E		1
F		1

G		2
H	 M6X20mm	4
I		1
J		6
K		1
L		1

M		1
N	 8X25mm	6
O		3
P		1
Q		1





### Electric performance is introduced:

The power adapter:

Input: 100-240VAC-50HZ

Output: 12VDC 1200mA

Rated voltage : DC12.0V

Rated power : 14.4W

Rated current : <1.2A

Working temperature:-10°C~50

### Functional specification

- 1、 Massage Mode: nine kinds of mode ,automatic work cycle
- 2、 Time of duration:15minutes or 30minutes
- 3、 Massage place: about neck/back/waist/thigh
- 4、 Auto self-shut off function
- 5、 Vibrations strength of the massage chair: three changes(high/middle or low)
- 6、 Vibration strength: strong and weak Heating function can choose(60°C~70°C)
- 7、 Selection of 8fvibrationblock, can be divided into 4 output
- 8、 The surface language changes with customers' demand
- 9、 CE/BS/UL/SAA certification is available
- 10、 All the wire material is standard power cables, assembly unit is plug connection , easy to install and change