

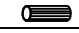



Read this instruction carefully. See hardware and furniture part list for guidance. Be sure all parts are complete, before you assemble. Place all wooden furniture parts on a clean and flat soft surface to prevent from being scratched.

Follow the figure to start assembling.

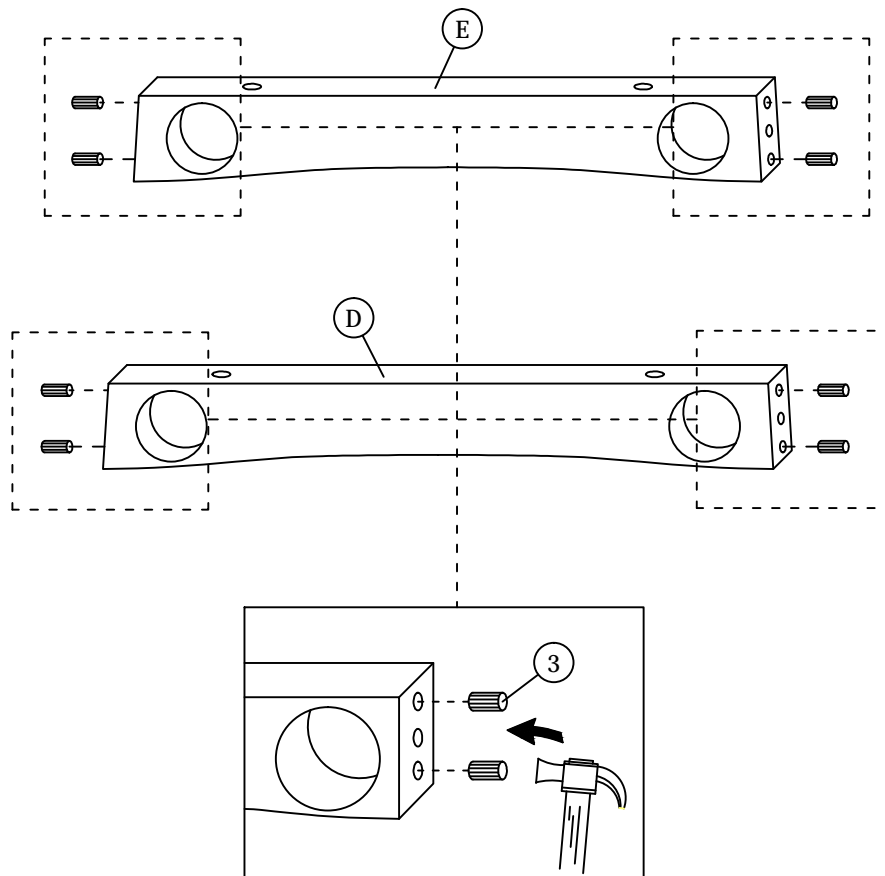
**CAUTIONS :** 1. Do not FULLY - TIGHTEN the nut or nut bolt until all nut or bolt is ready assembled.  
 2. Do not OVER - TIGHTEN the nut or bolt to avoid causing damages to the thread.  
 3. Keep all hardware parts out of reach of children.

PART LIST		
ITEM	DESCRIPTION	QTY
A	CHAIR	1 PC
B	LEG (L)	1 PC
C	LEG (R)	1 PC
D	SUPPORT RAIL (LONG)	1 PC
E	SUPPORT RAIL (SHORT)	1 PC

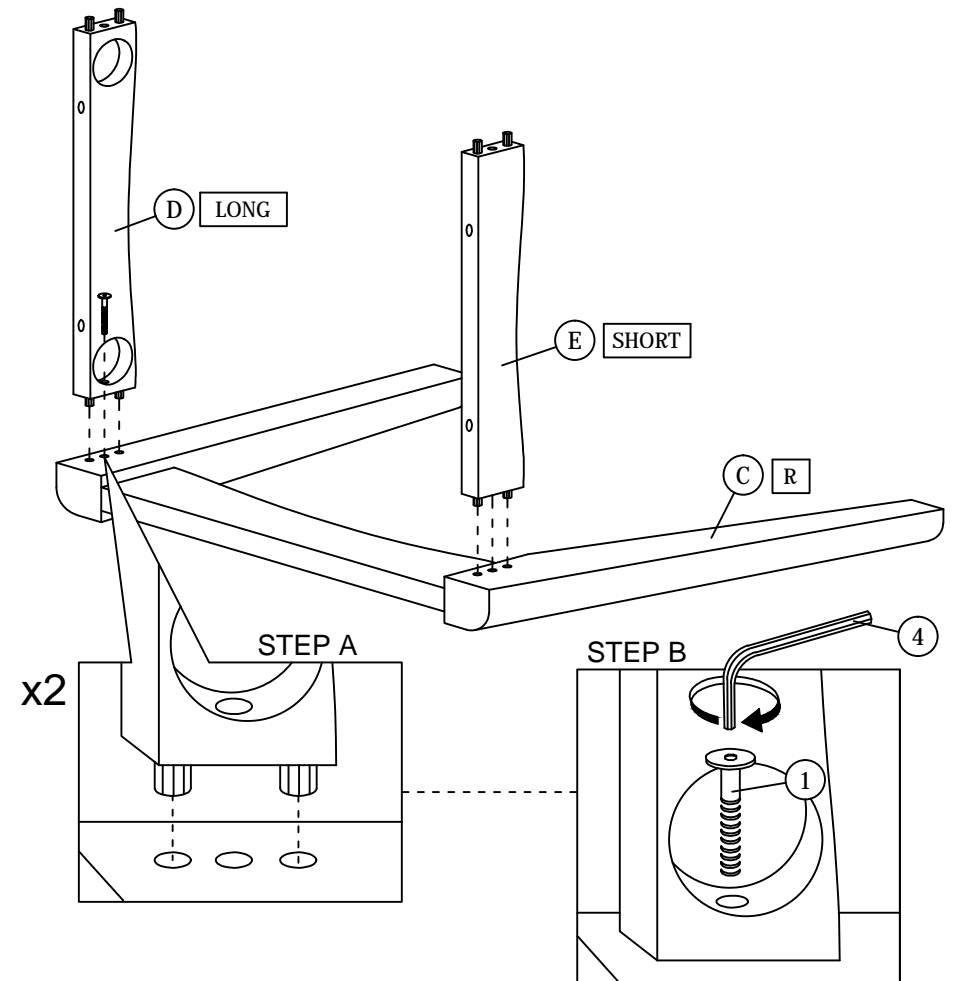
HARDWARE LIST		
ITEM	DESCRIPTION	QTY
1	JCBC Bolt M6 x 50mm 	4 PCS
2	WOOD SCREW M4 x 38mm 	4 PCS
3	WOOD DOWEL M10 x 40mm 	8 PCS
4	M4 ALLEN KEY (BALL SHAPE) 	1 PC

NOTE : THE LIST AND QUANTITY SHOWN ARE FOR 1 UNIT ASSEMBLY.  
 Tool needed : Screwdriver & Hammer (not provided).

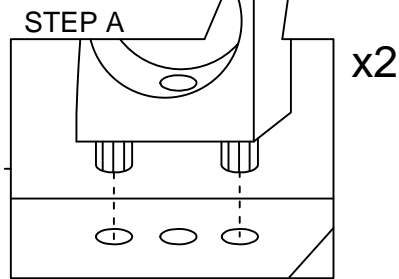
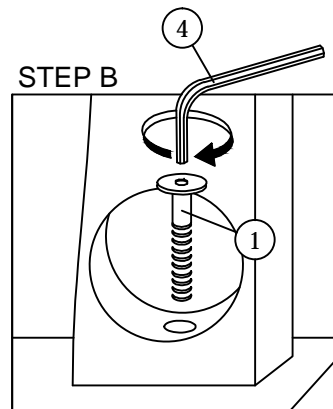
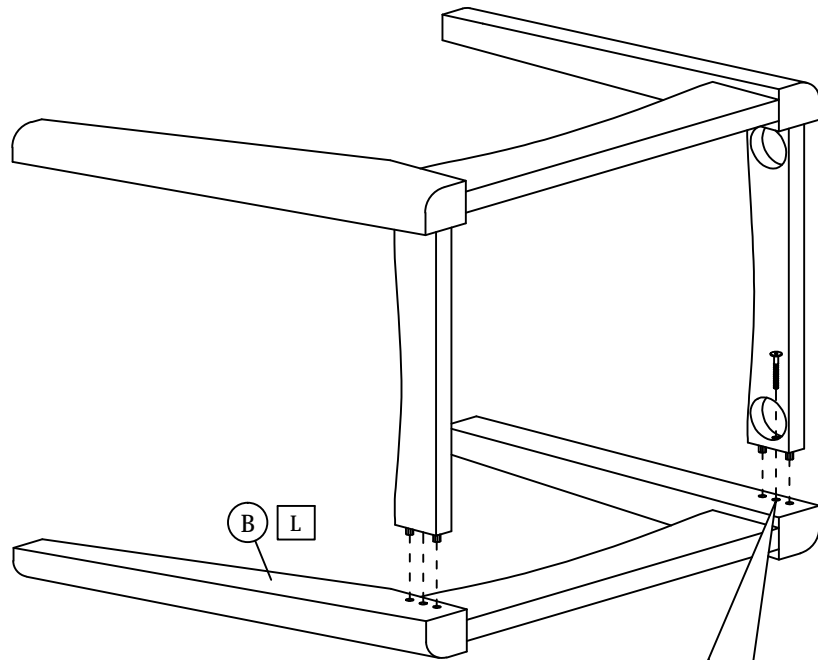
## STEP 1



## STEP 2

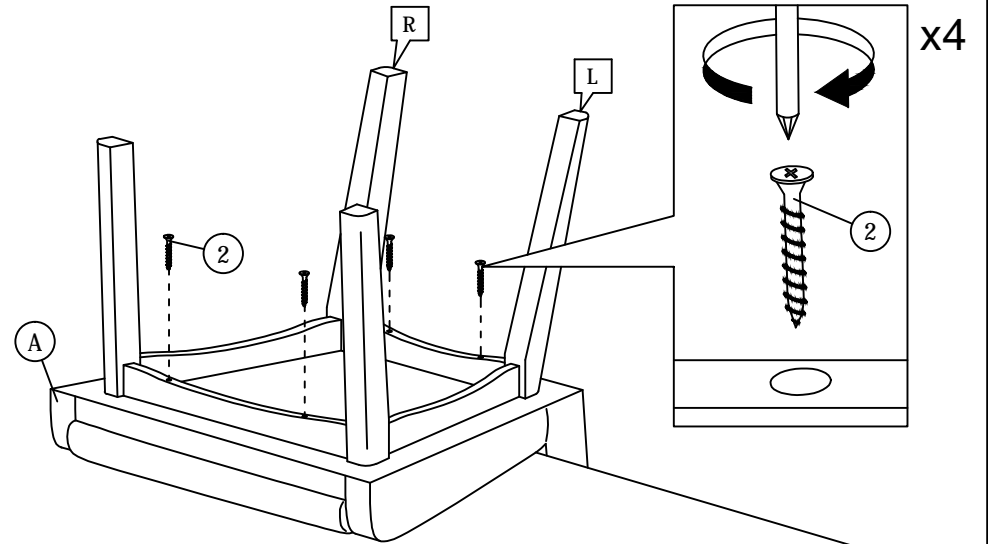


## STEP 3



## STEP 4

Note : Follow the line drawing to assemble the chair leg.



## STEP 5

