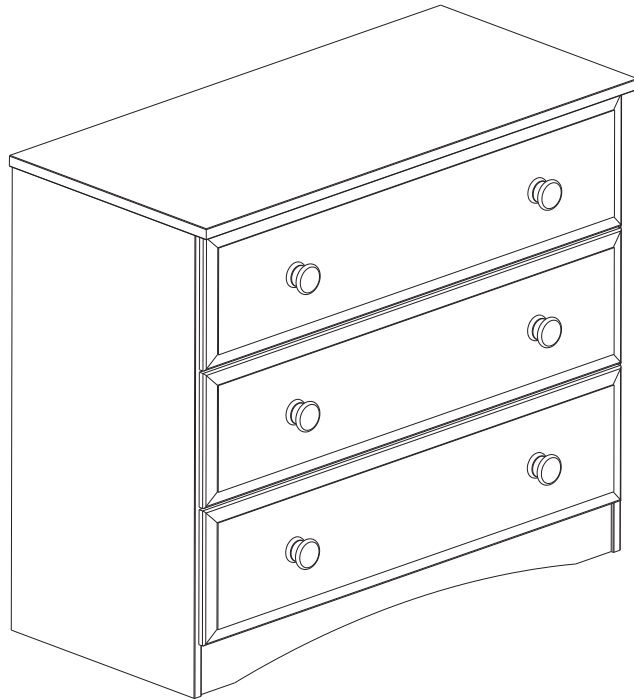
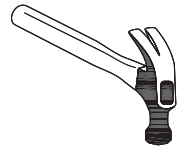
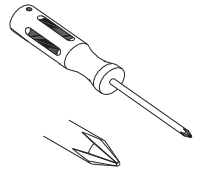
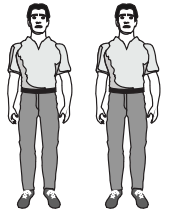


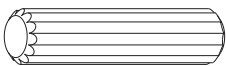
ASSEMBLY INSTRUCTIONS



00:45 Hs



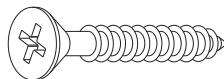
HARDWARE INCLUDED



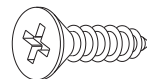
A - 8,0x25 Wood Dowel
Qty. 26



B - 4,0x30 Screw
Qty. 30



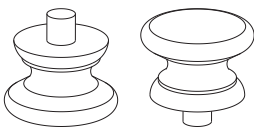
C - 3,5x30 Screw
Qty. 12



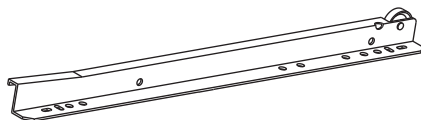
D - 3,5x14 Screw
Qty. 24



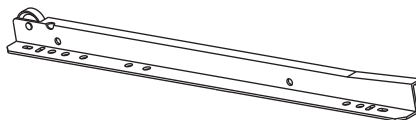
E - 10x10 Nail
Qty. 22



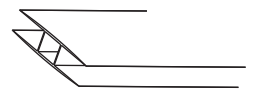
F - Door Knob
Qty. 06



G - Slide Left 350mm
Qty. 03

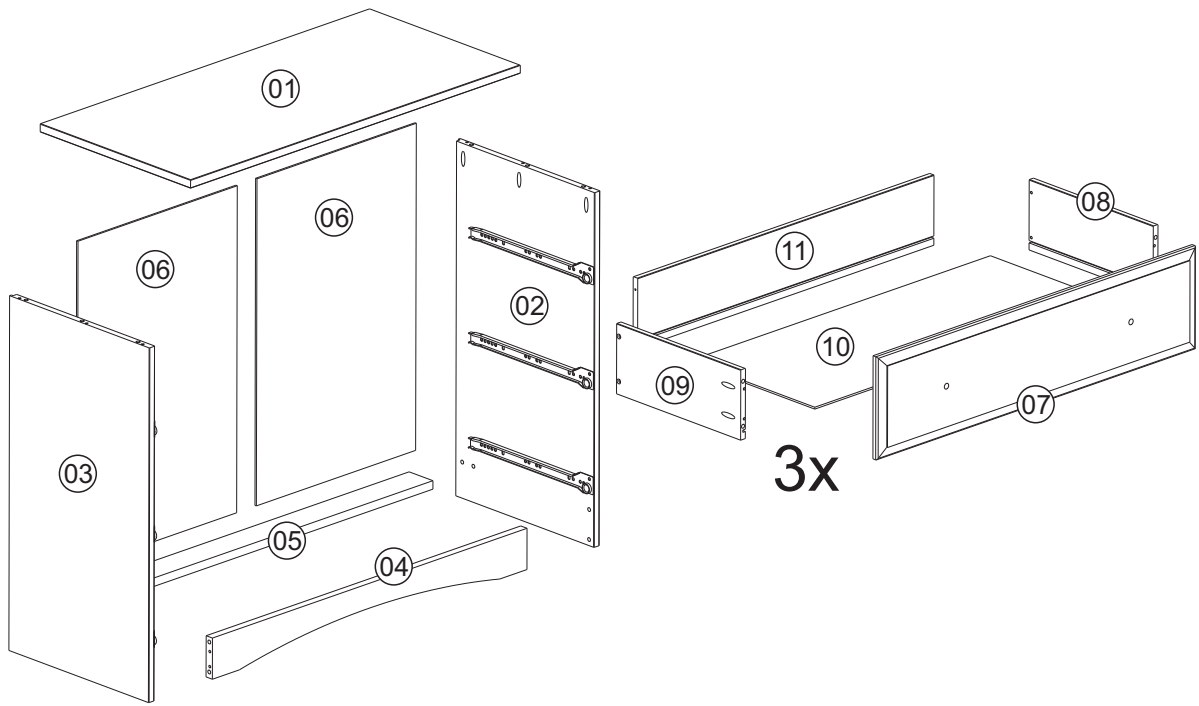


H - Slide Right 350mm
Qty. 03

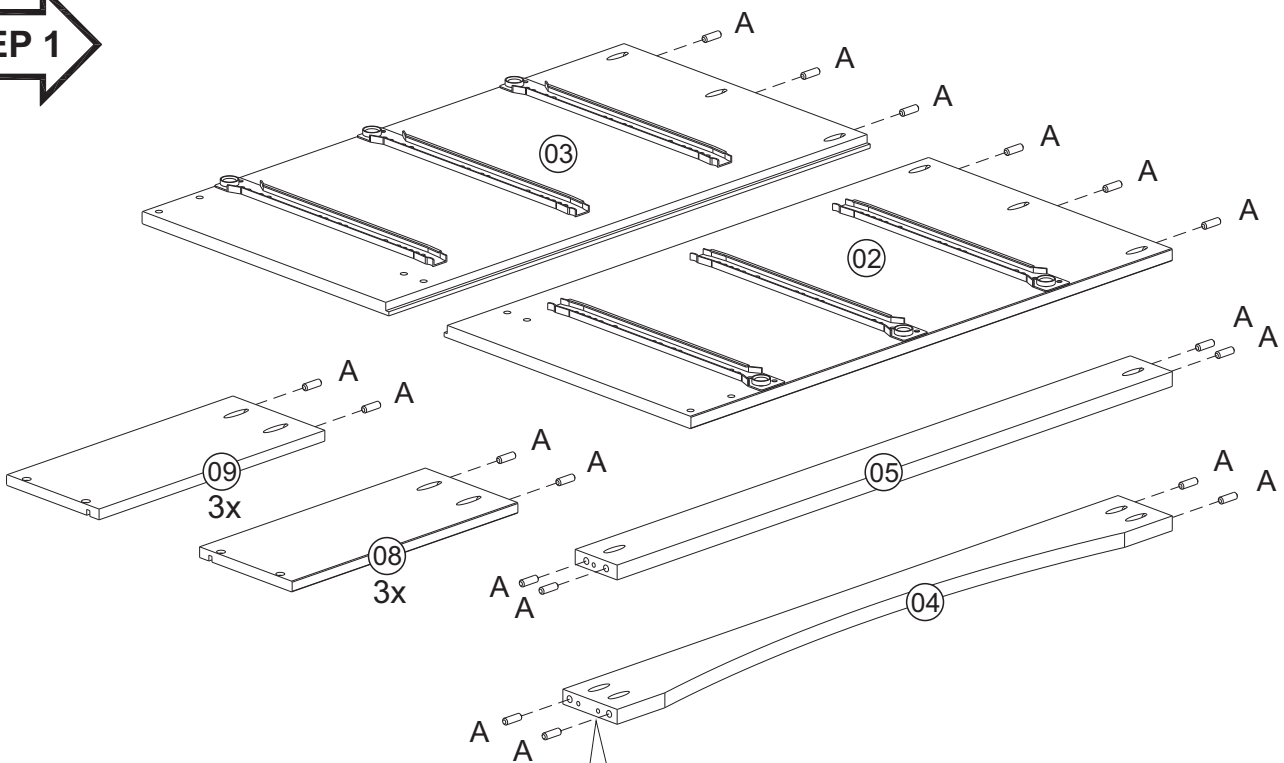


I - H Profile 670mm
Qty. 01

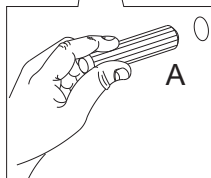
PARTS INCLUDED



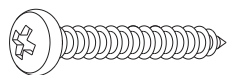
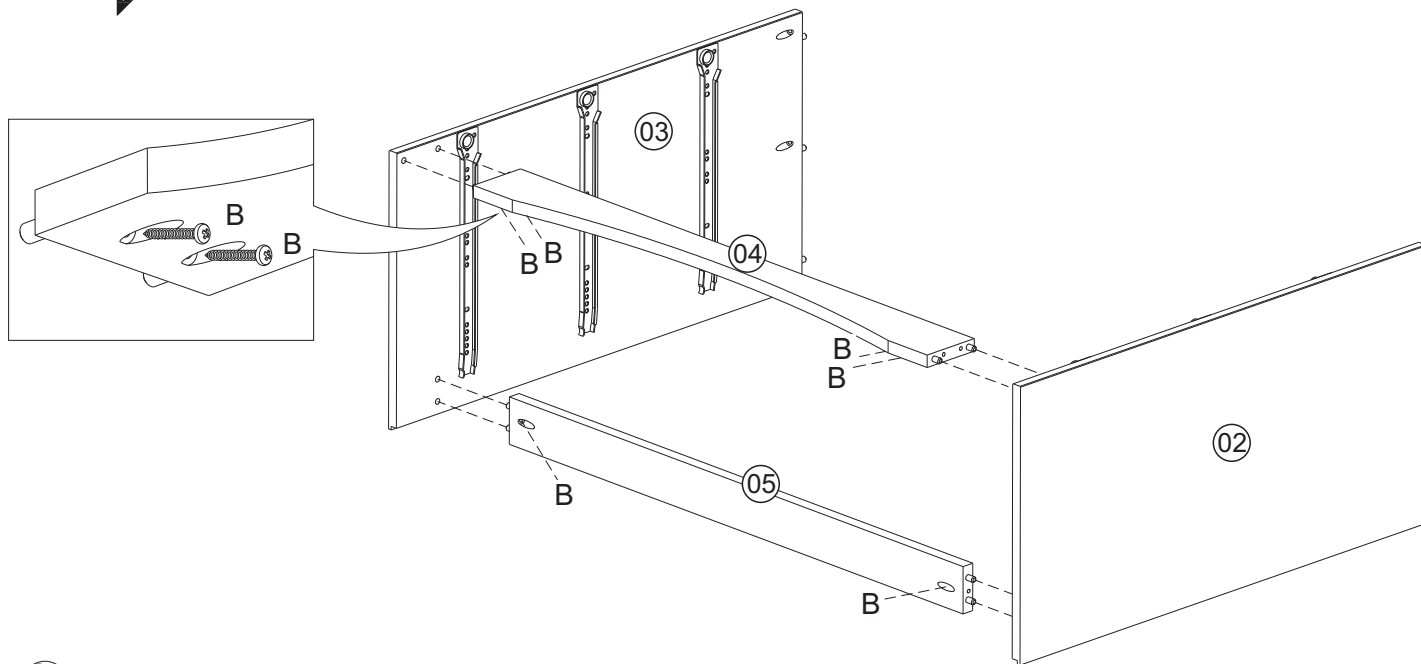
STEP 1 



A - 8,0x25 Wood Dowel
Qty. 26

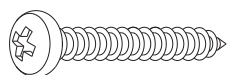
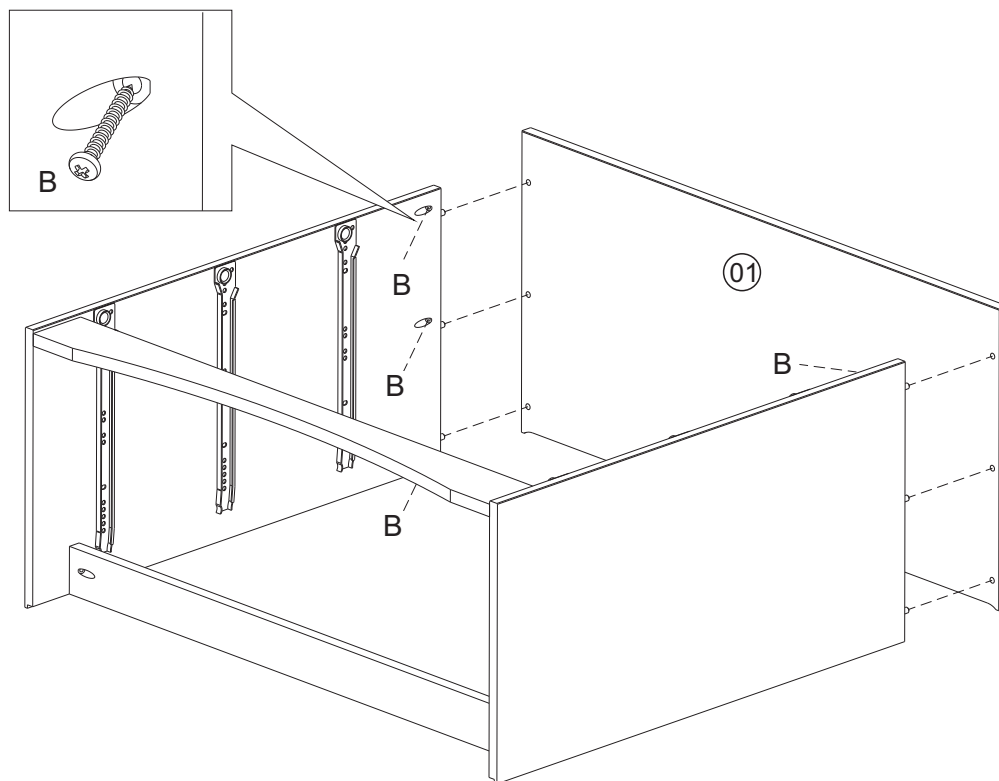


STEP 2



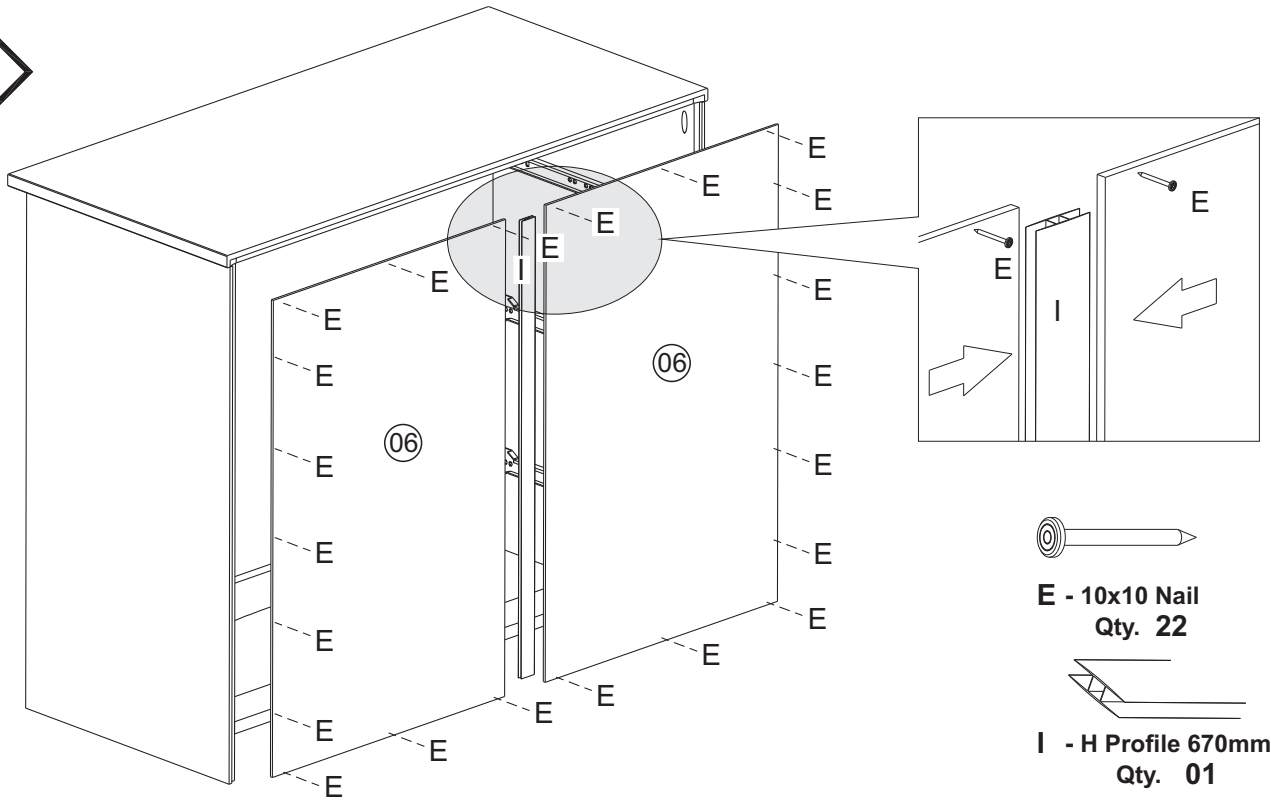
B - 4,0x30 Screw
Qty. 06

STEP 3

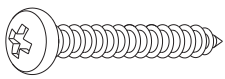
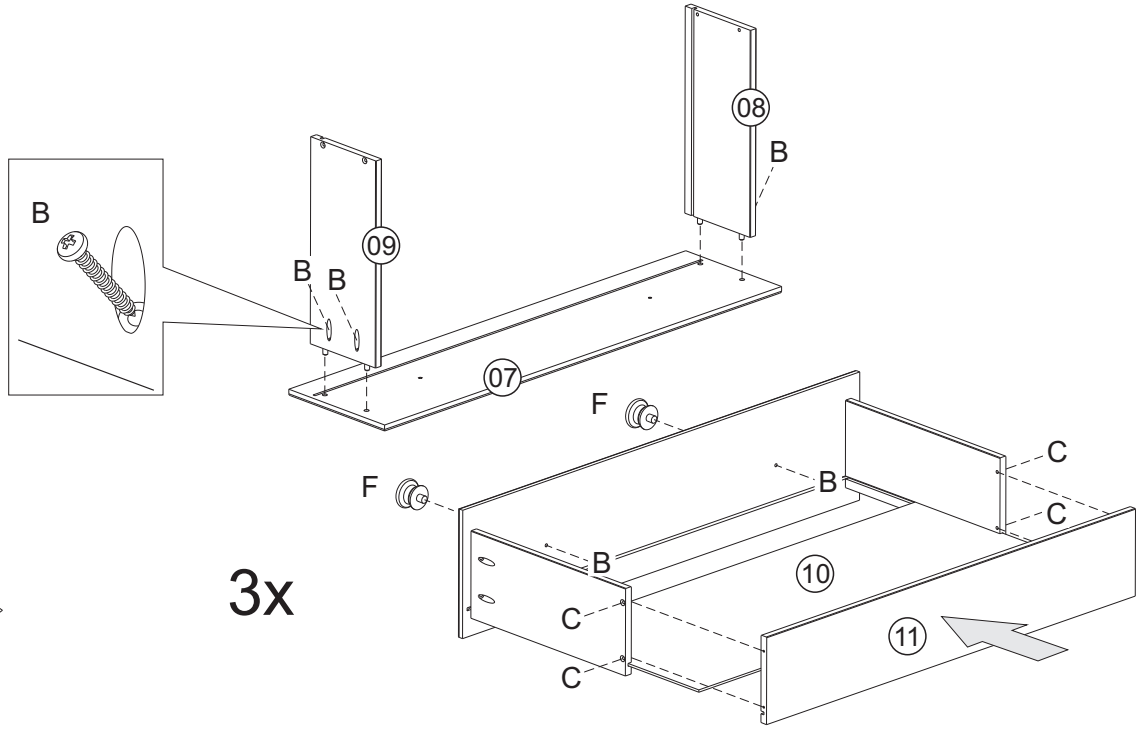


B - 4,0x30 Screw
Qty. 06

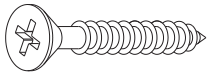
STEP 4



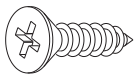
STEP 5



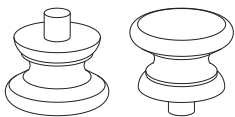
**B - 4,0x30 Screw
Qty. 18**



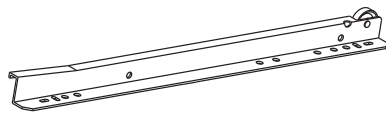
**C - 3,5x30 Screw
Qty. 12**



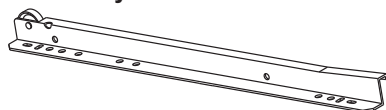
**D - 3,5x14 Screw
Qty. 12**



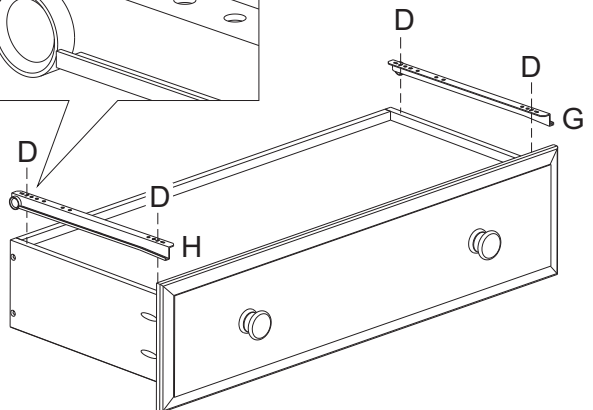
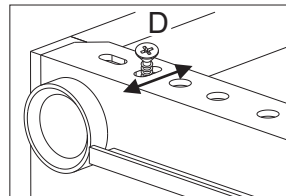
**F - Door Knob
Qty. 06**



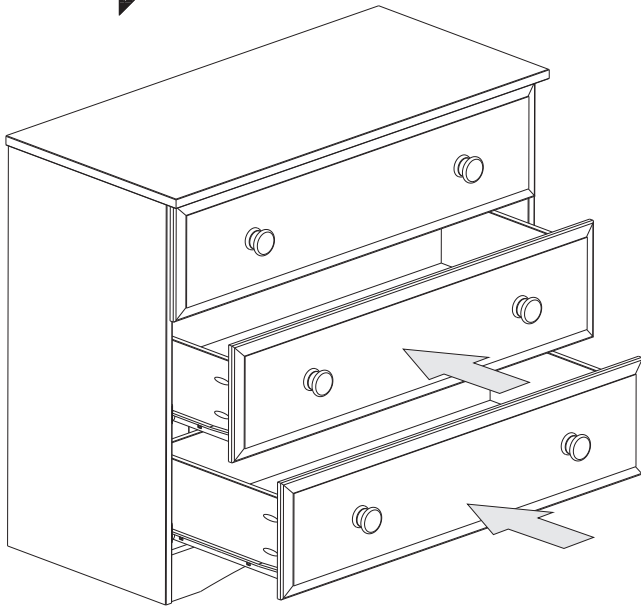
**G - Slide Left 350mm
Qty. 03**



**H - Slide Right 350mm
Qty. 03**



STEP 6

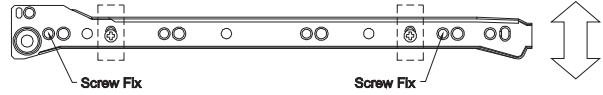


Drawer Glide Adjustments:

The metal drawer glides are designed to allow for slight adjustments vertically and horizontally, if necessary.

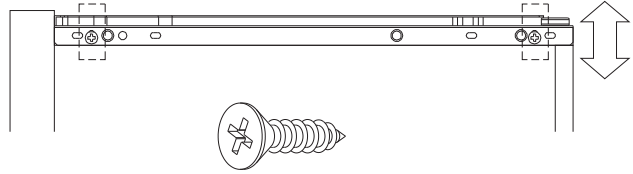
Horizontal Glide Adjustment:

Remove drawer from chest. Loosen screws indicated on side of metal track. Make needed space adjustment and re-tighten screws and add 2 additional screws in holes as indicted in diagram below:



Vertical Glide Adjustment:

Remove drawer from chest. Loosen Screws on underside of metal track. Make needed space adjustment and re-tighten screws as indicated in diagram below:



D - 3,5x14 Screw
Qty. 12