

# Tacoma Wall Shelves Set of 3

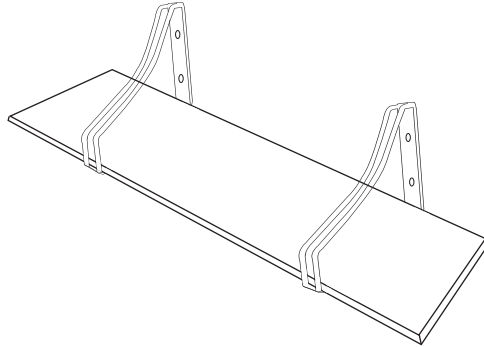
## Package Content

Metal bracket x 6    Wood board x 3    Small screws(a) x 12  
Large screws(b) x 12    Anchors(C) x 12

## Tools Needed

Screwdriver

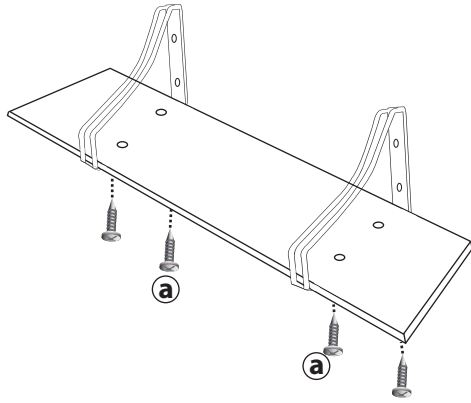
## INSTRUCTION



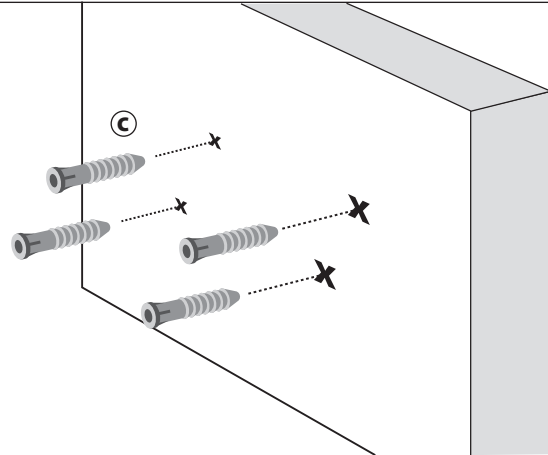
**a**  x12

**b**  x12

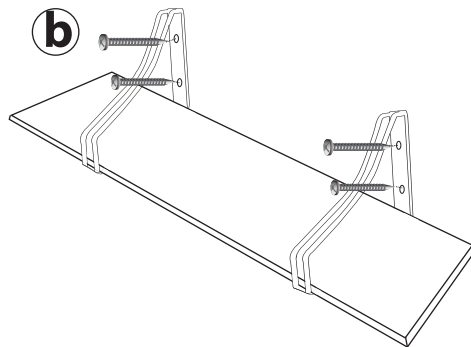
**c**  x12



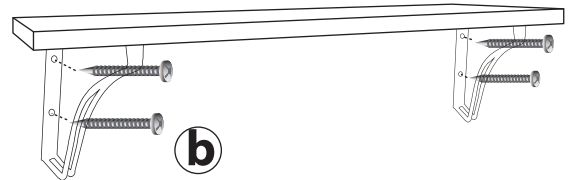
1. Fix the board on the metal brackets with small screws(a). Hold the shelf against the wall and mark drill points with pencil.



2. Insert the anchor into the drilled holes



3. Secure the shelf on the wall with large screws(b)



4. The other way to install the shelf