

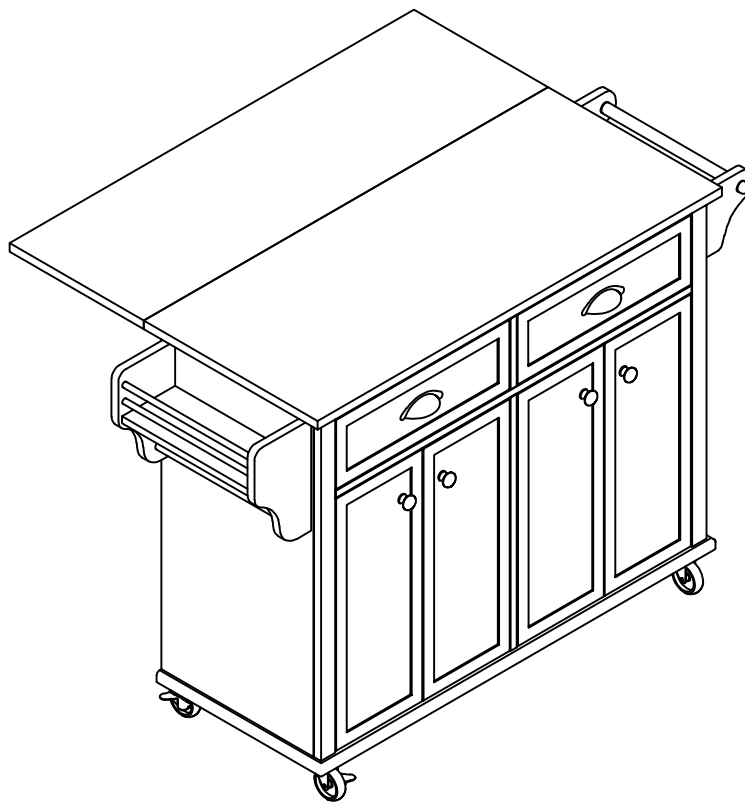
Assembly Instruction

KITCHEN CART



WARNING

Please do not stand or climb on the top.



WARNING

Caution: Assembly will require at least 2 adults. Assemble on soft surfaces to prevent product finish from any damage. DO NOT use power tools.

CARE AND CLEANING

DO NOT scratch or chip the finish. DO NOT use abrasive chemicals for cleaning. Clean with mild soap on a soft rag. Rinse and dry thoroughly.

MAINTENANCE

Check bolts/screws periodically and tighten if necessary. WARNING: Should this product become damaged, and/or components are broken or missing, DO NOT USE.

Congratulations on your latest purchase .

Now what? Don't start sweating over this box of parts. This will be easy. We did the hard work for you.

All you need to do is follow our simple instructions and you'll be on your way to transforming your room in no time.

Good luck – though we're confident you won't need it.

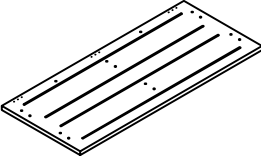
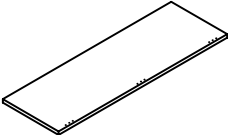
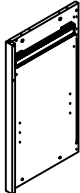
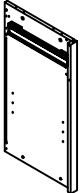
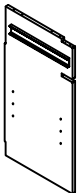
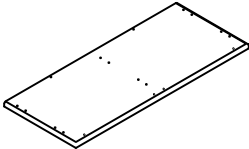
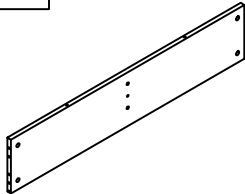
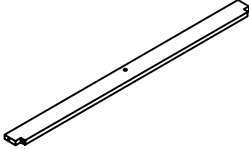
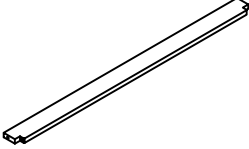
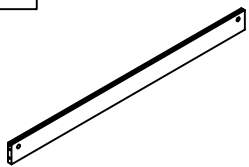
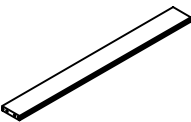

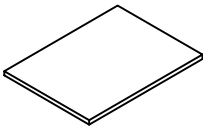
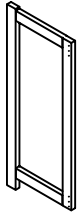
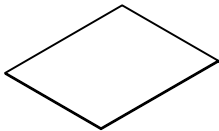
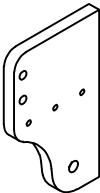

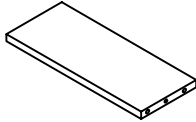
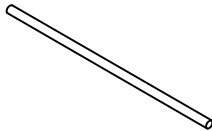
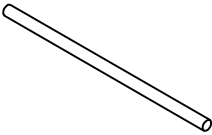
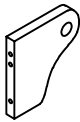
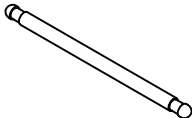

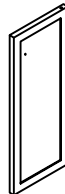
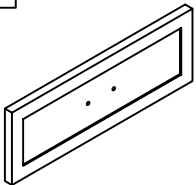
before you begin

1. Check for damaged or missing parts.
2. Use the carton as a work surface to prevent product damage during assembly.
3. Gather all tools prior to assembly.

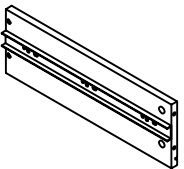
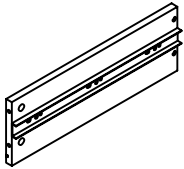
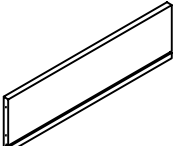
tools needed (not included)



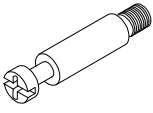

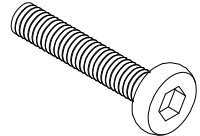
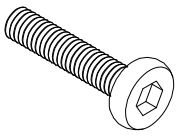
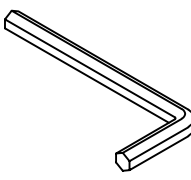

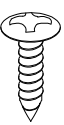
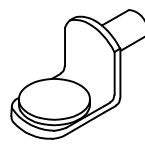
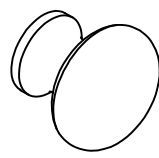

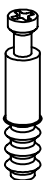

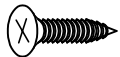
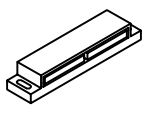
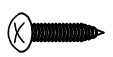
PART LIST

A 	B 	C 	D 	E 
TOP FRAME 1 PC	DROP-DOWN LEAF 1 PC	LEFT SIDE PANEL 1 PC	RIGHT SIDE PANEL 1 PC	MIDDLE CLAPBOARD 1 PC
F 	G 	H 	I 	J 
BOTTOM PANEL 1 PC	BACK UPPER RAIL 1 PC	FRONT UPPER RAIL 1 PC	FRONT LOWER RAIL 1 PC	BACK LOWER RAIL 1 PC
K 	L 	M 	N 	O 
BACK MIDDLE RAIL 2 PCS	BACK PANEL 3 PCS	ADJUSTABLE SHELF 2 PCS	LEAF SUPPORT FRAME 1 PC	DRAWER BOTTOM 2 PCS
P 	Q 	R 	S 	T 
LEFT EAR SIDE PANEL 1 PC	RIGHT EAR SIDE PANEL 1 PC	EAR CONNECTING PANEL 1 PC	LEFT SMALL EAR BAR 2 PCS	LEFT BIG EAR BAR 1 PC
U 	V 	WL 	WR 	X 
EAR 2 PCS	EAR BAR 1 PC	LEFT DOOR 2 PCS	RIGHT DOOR 2 PCS	DRAWER FRONT 2 PCS

PART LIST

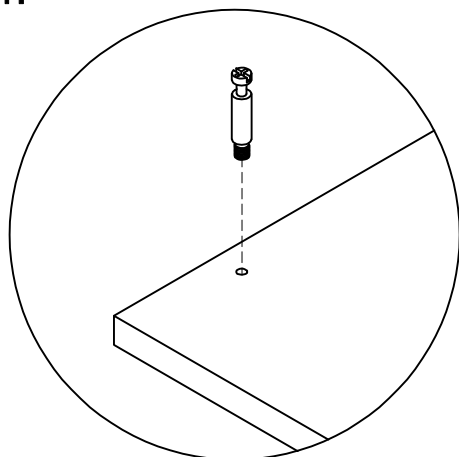
Y 	Z 	ZA 
DRAWER LEFT 2 PCS	DRAWER RIGHT 2 PCS	DRAWER BACK 2 PCS

HARDWARE LIST

<p>1</p>  <p>$\Phi 8 \times 30 \text{mm}$</p>	<p>2</p> 	<p>3</p> 	<p>4</p>  <p>$1\text{-}1/4 \times \Phi 4 \times \text{D}8 \text{mm}$</p>	<p>5</p>  <p>$2\text{-}1/2 \times \Phi 1/4 \times \text{D}11 \text{mm}$</p>
<p>WOOD DOWEL 50 PCS</p>	<p>CAM BOLT 20 PCS</p>	<p>CAM LOCK 20 PCS</p>	<p>SCREW 1 PC</p>	<p>HEX SOCKET HEAD BOLT 6 PCS</p>
<p>6</p>  <p>$1\text{-}1/2 \times \Phi 1/4 \times \text{D}11 \text{mm}$</p>	<p>7</p> 	<p>8</p> 	<p>9</p> 	<p>10</p> 
<p>HEX SOCKET HEAD BOLT 6 PCS</p>	<p>BARREL NUT 6 PCS</p>	<p>ALLEN KEY 1 PC</p>	<p>CASTER 3 PCS</p>	<p>LOCKING CASTER 2 PCS</p>
<p>11</p>  <p>$18 \text{mm} \times \Phi 4 \times \text{D}9 \text{mm}$</p>	<p>12</p> 	<p>13</p> 	<p>14</p>  <p>$\Phi 5/32 \times 12 \text{mm}$</p>	<p>15</p>  <p>$1 \times \Phi 4 \times \text{D}8 \text{mm}$</p>
<p>ROUND HEAD SCREW 20 PCS</p>	<p>MODELL SHELF PALLET 8 PCS</p>	<p>KNOB 4 PCS</p>	<p>ROUND HEAD BOLT 4 PCS</p>	<p>SCREW 8 PCS</p>
<p>16</p> 	<p>17</p> 	<p>18</p> 	<p>19</p>  <p>$\Phi 5/32 \times 20 \text{mm}$</p>	<p>20</p> 
<p>SMALL CAM BOLT 8 PCS</p>	<p>SMALL CAM LOCK 8 PCS</p>	<p>DRAWER PULL 2 PCS</p>	<p>ROUND HEAD BOLT 4 PCS</p>	<p>Hinge 5 PCS</p>
<p>21</p>  <p>$3 \times 15 \text{mm} \times \text{D}8 \text{mm}$</p>	<p>22</p> 	<p>23</p> 	<p>24</p> 	<p>25</p>  <p>$15 \text{mm} \times \Phi 3 \times \text{D}6 \text{mm}$</p>
<p>SCREW 30 PCS</p>	<p>SMALL CASTER 1 PC</p>	<p>OPEN WRENCH 1 PC</p>	<p>MAGNET 2 PCS</p>	<p>ROUND HEAD SCREW 4 PCS</p>

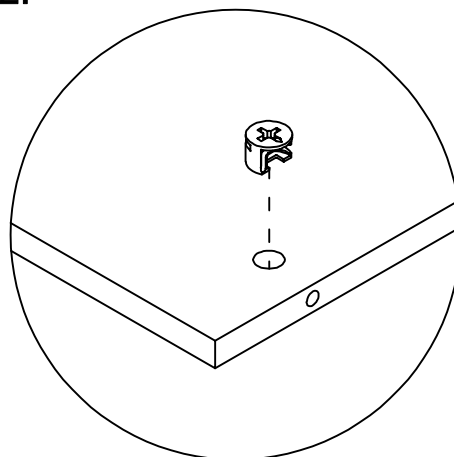
how to use the cam lock system

1.



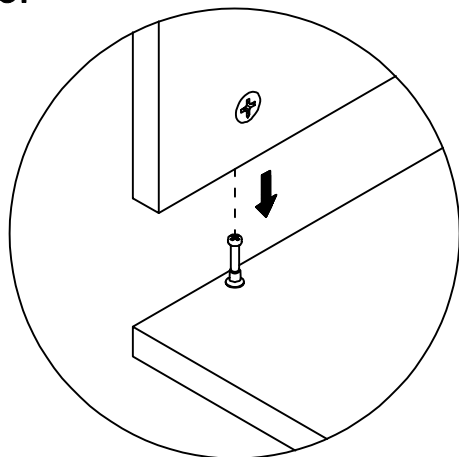
Screw cam bolt into panel

2.



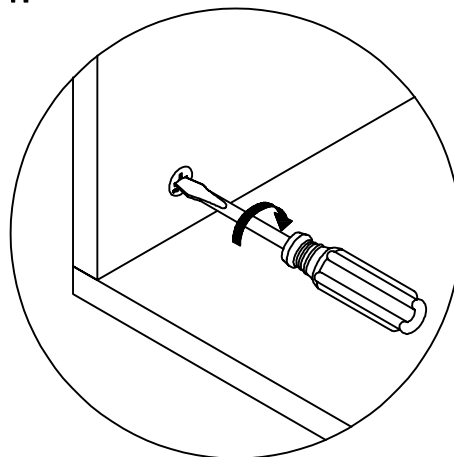
Push cam into panel - arrow feature on cam top points to panel edge

3.



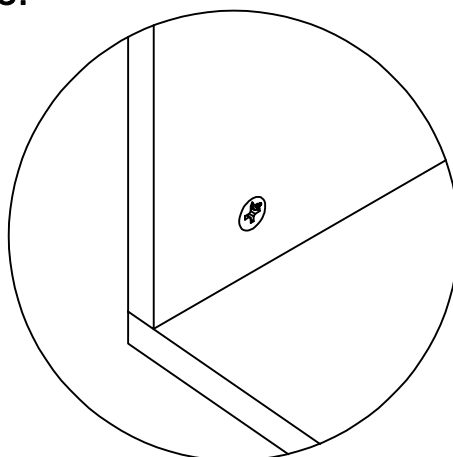
Align cam bolt(s) with cam(s) and insert all the way into cross-bored hole(s)

4.

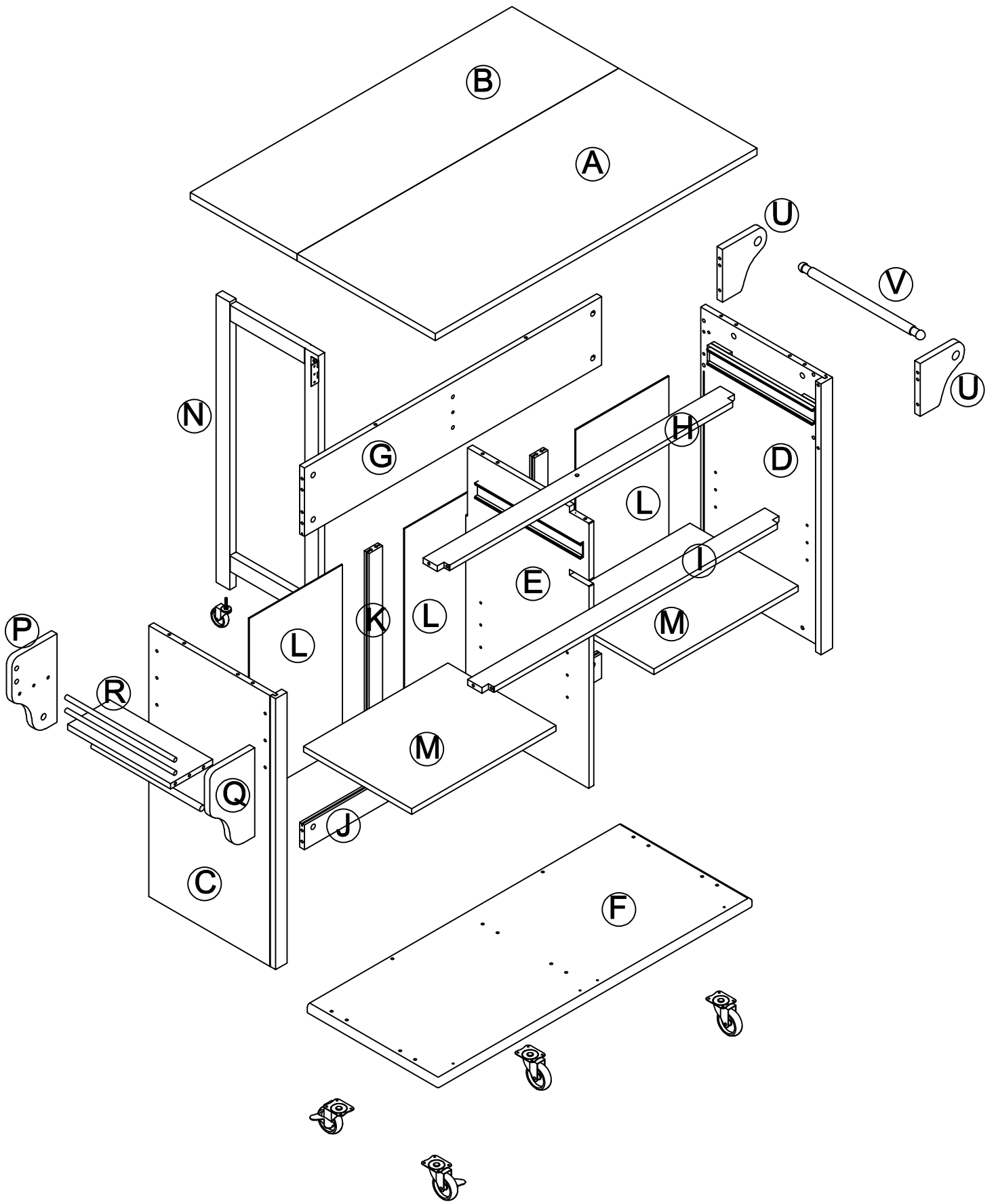


Rotate cam(s) clockwise 190°-230° to lock panels together

5.



Panels should be tight against each other and connection should be rigid

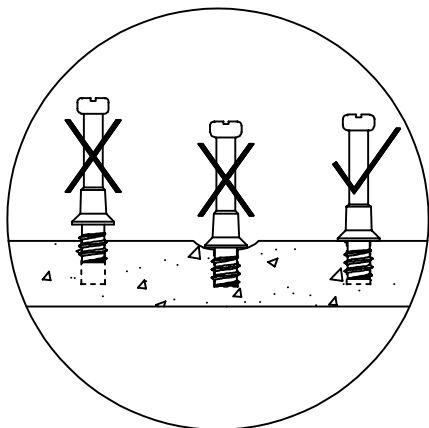
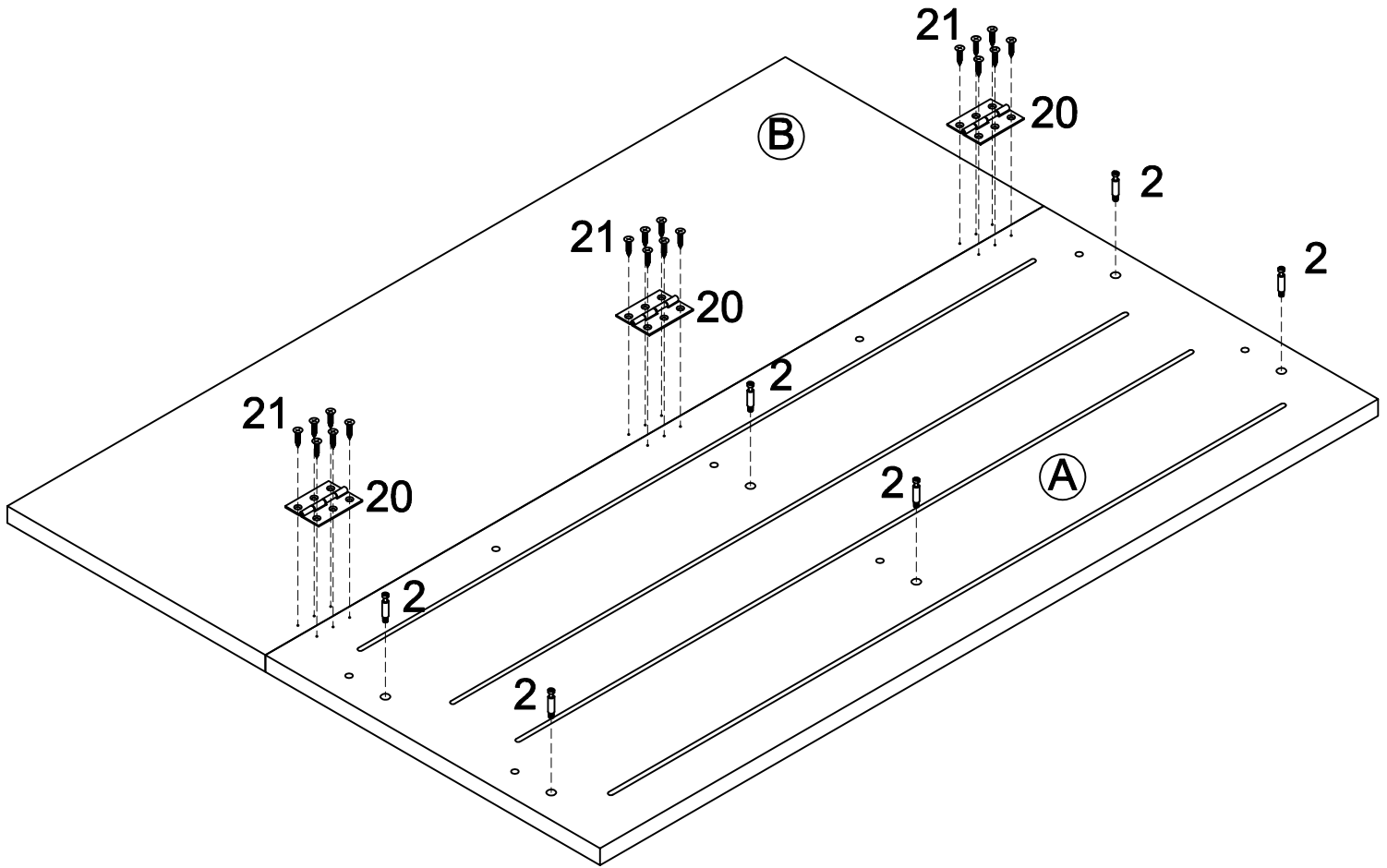


STEP 1

Securely screw the cam bolts (2) into top frame (A).

Using the pilot holes as a guide, attach drop-down leaf (B) to top frame (A) using hinges (20) and screws (21).

Tighten by screwdriver (not included).

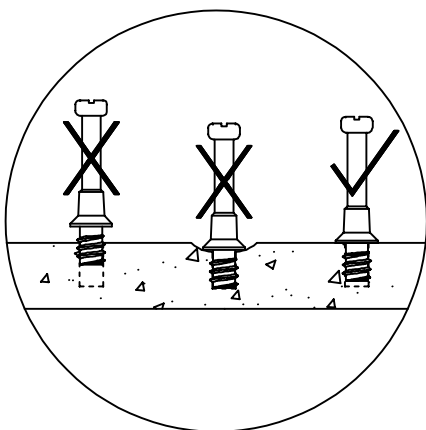
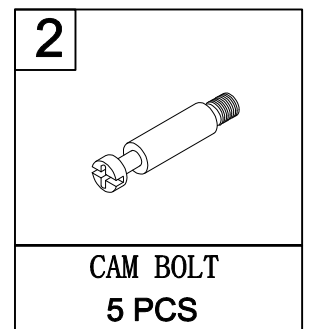
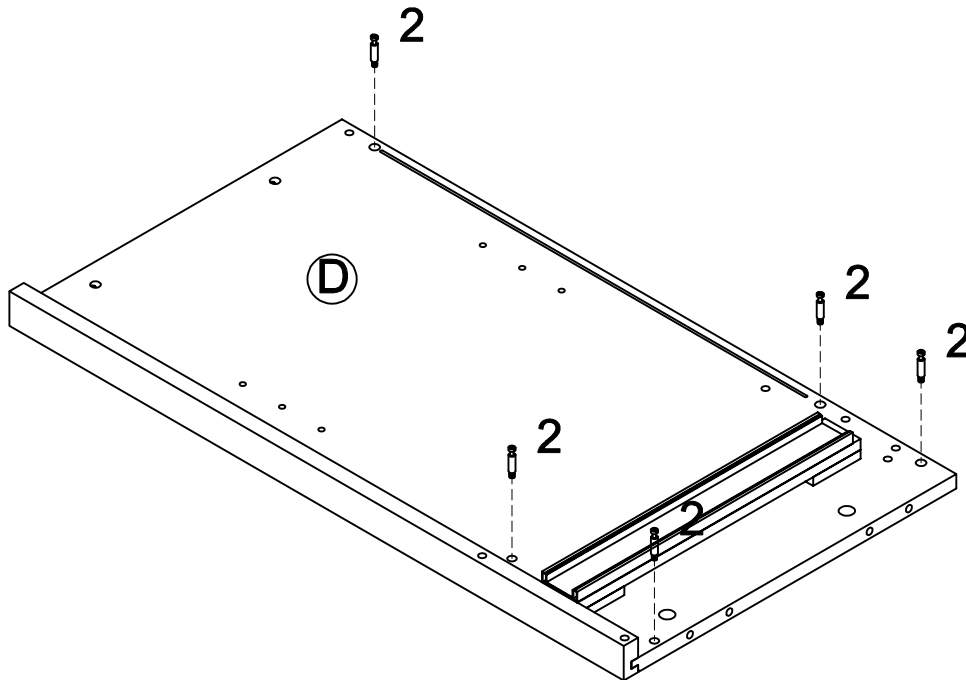
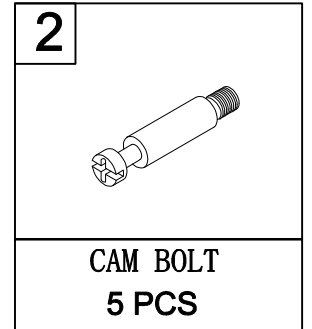
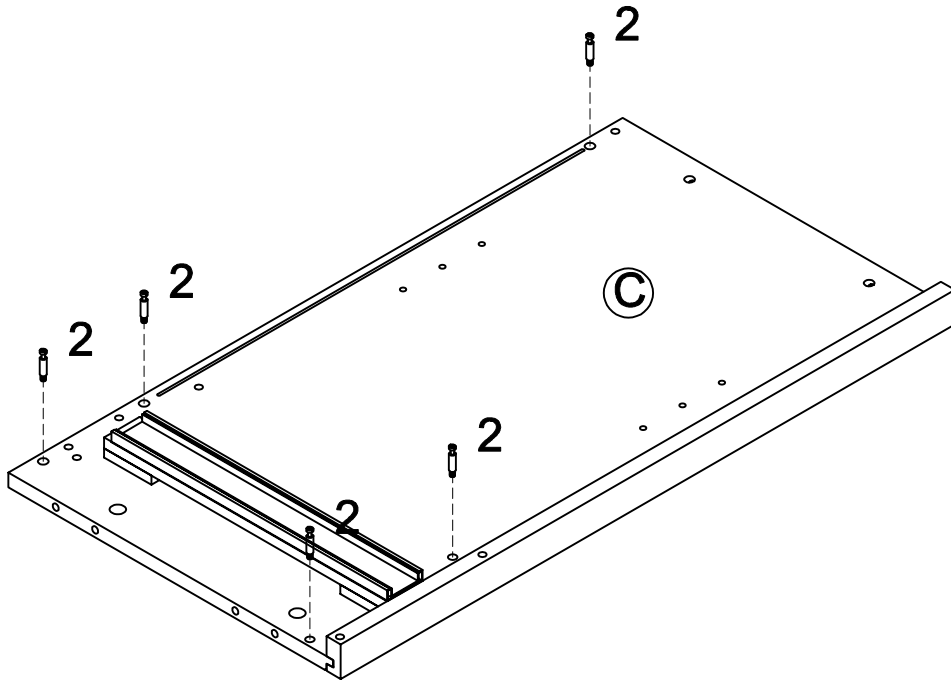


2	
CAM BOLT 6 PCS	
20	
Hinge 3 PCS	
21	
3*15mm*D8mm SCREW 18 PCS	

STEP 2

Securely screw the cam bolts (2) into left side panel (C) and right side panel (D).

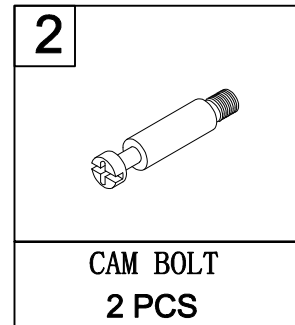
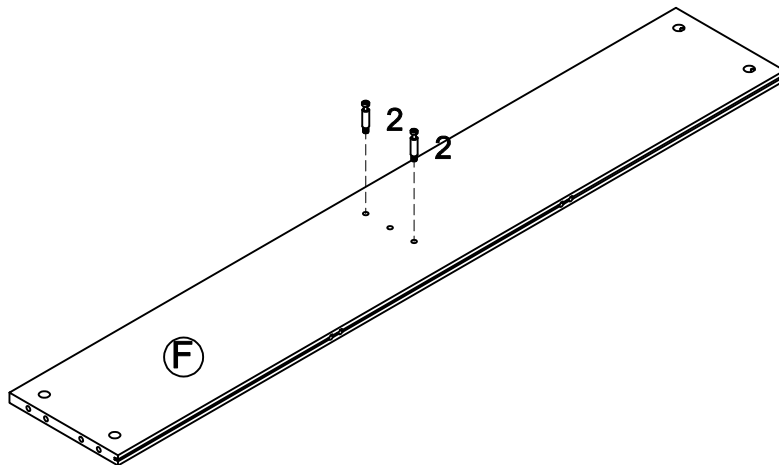
Tighten by screwdriver (not included).



STEP 3

Securely screw the cam bolts (2) into back upper rail (F).

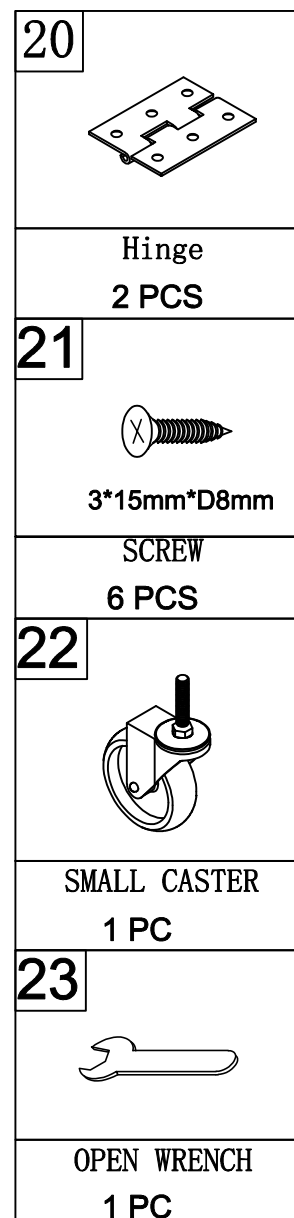
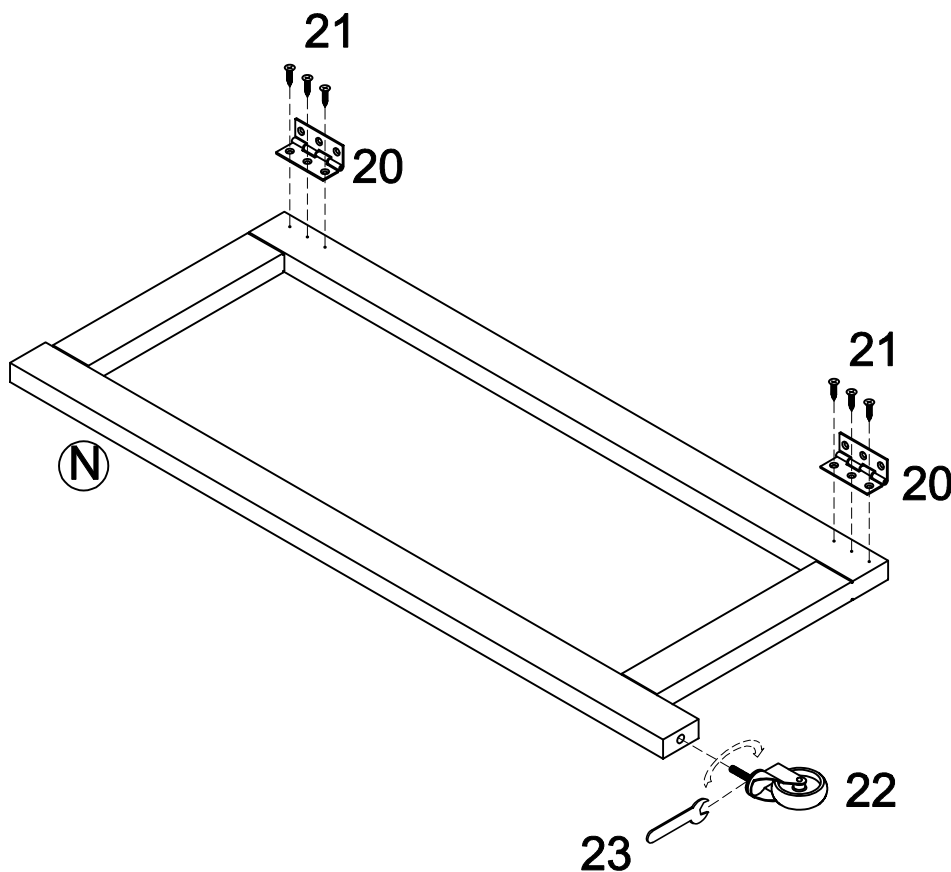
Tighten by screwdriver (not included).



STEP 4

Using the pilot holes as a guide, attach hinges (20) to leaf support frame (N) using screws (21).
Tighten by screwdriver (not included).

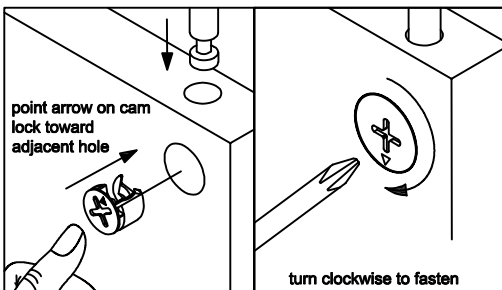
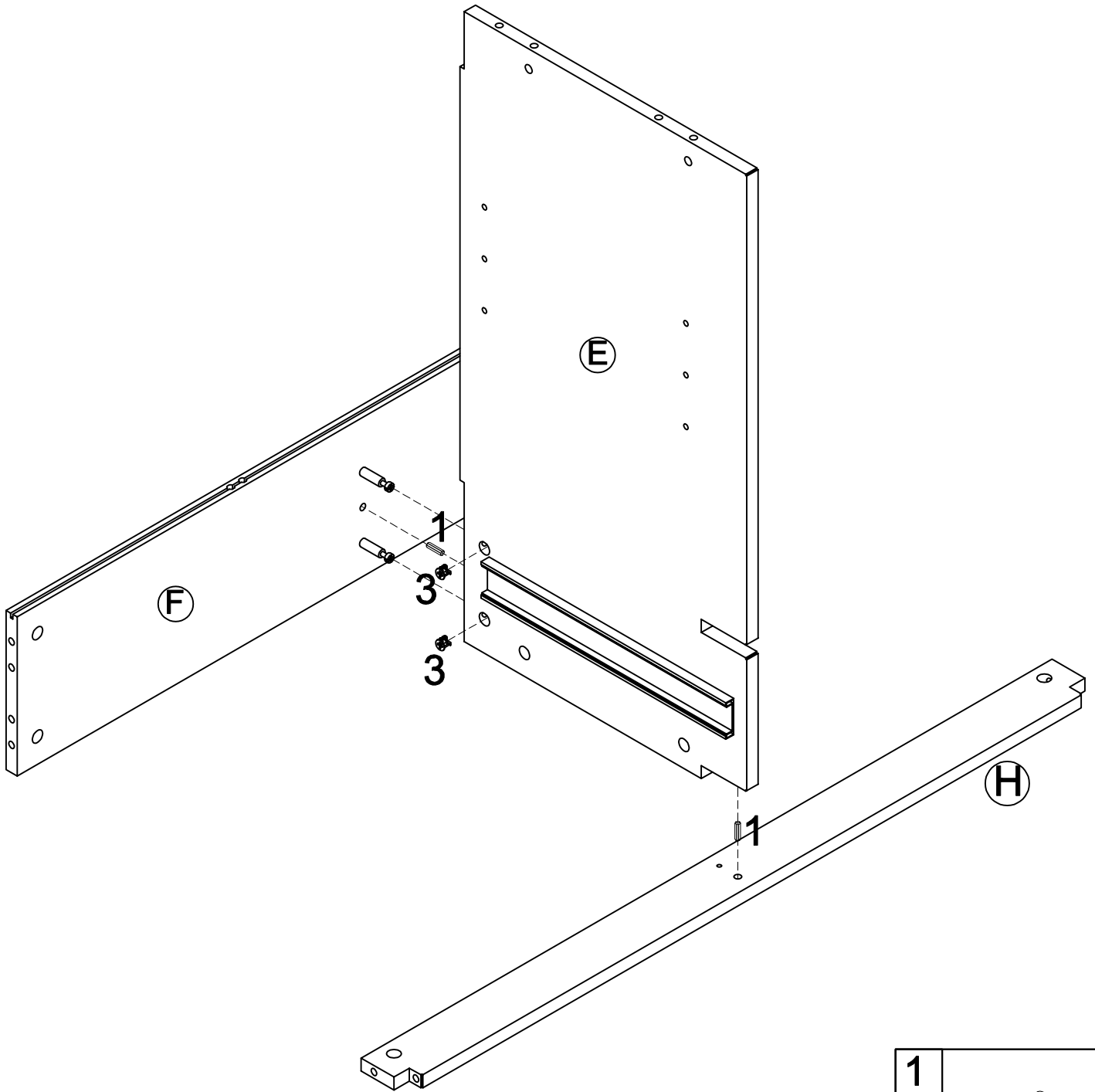
Attach small caster (22) to leaf support frame (N) using open wrench (23).

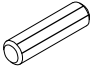
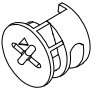


STEP 5

Attach front upper rail (H) & back upper rail (F) to middle clapboard (E) using wood dowels (1) and cam lock (3).

Tighten by screwdriver (not included).

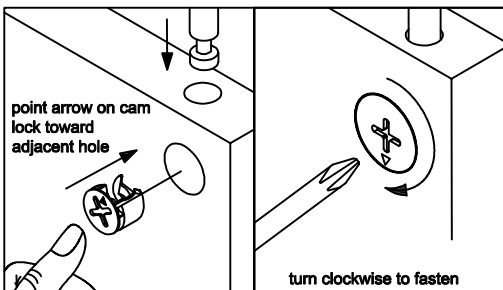
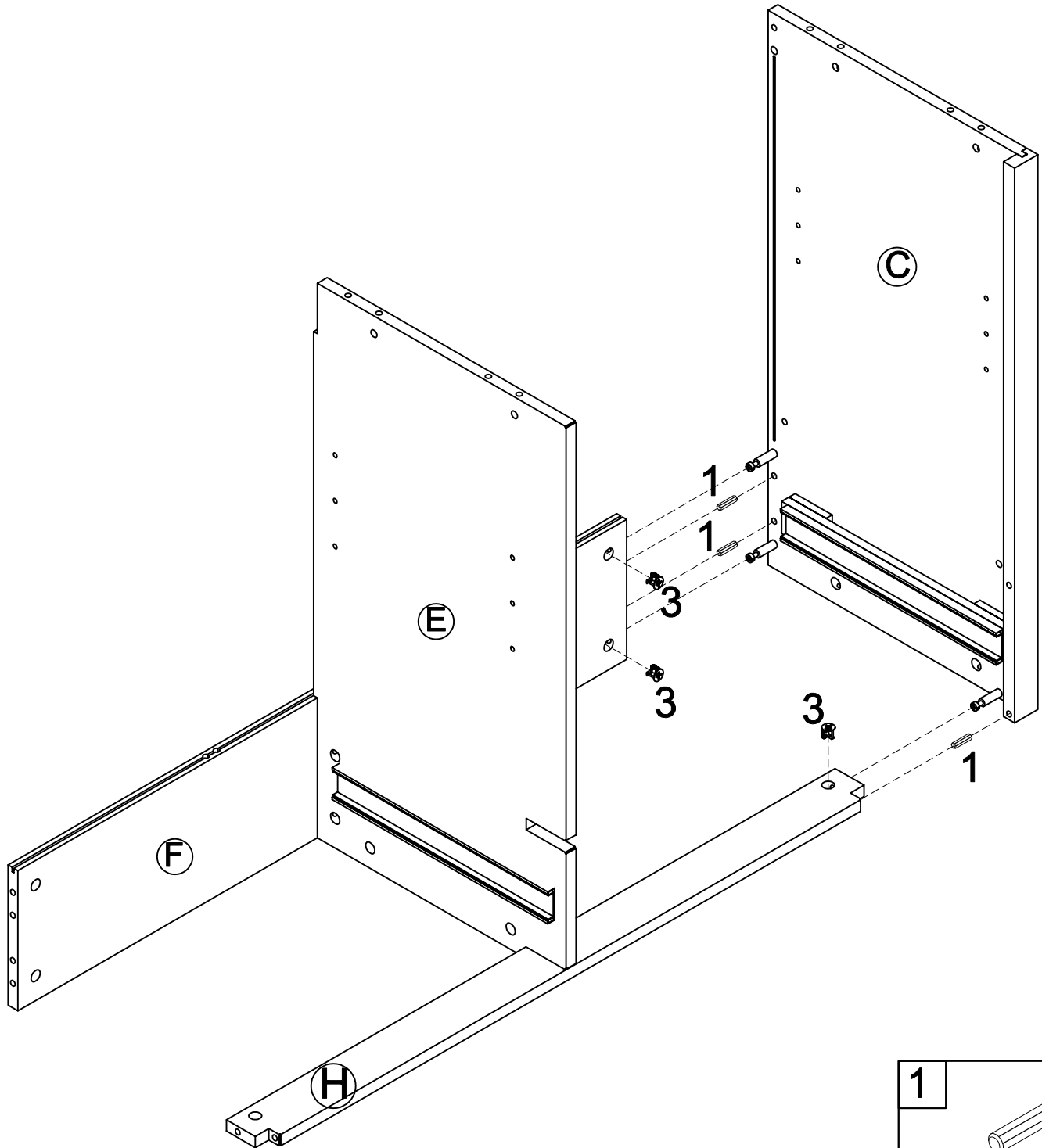


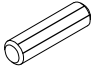
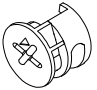
1	
	Φ8*30mm WOOD DOWEL 2 PCS
3	
	CAM LOCK 2 PCS

STEP 6

Attach left side panel (C) to front upper rail (H) & back upper rail (F) using wood dowels (1) and cam lock (3).

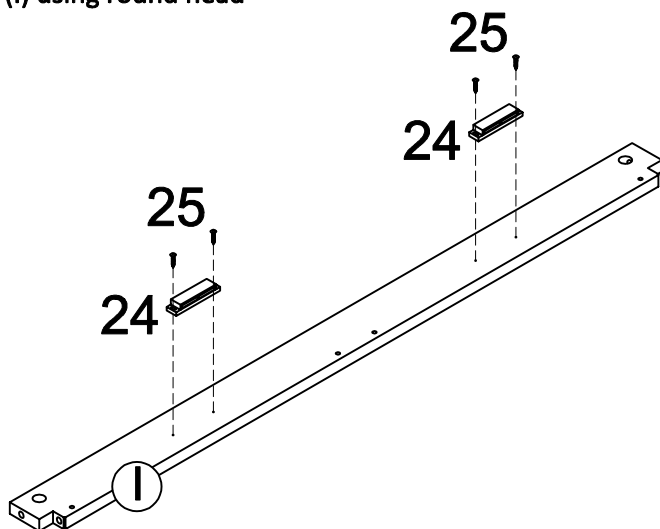
Tighten by screwdriver (not included).

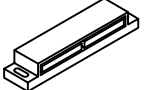



1	
	Φ8*30mm WOOD DOWEL 3 PCS
3	
	CAM LOCK 3 PCS

STEP 7

Using the pilot holes as a guide, attach magnets (24) to front lower rail (I) using round head screws (25).

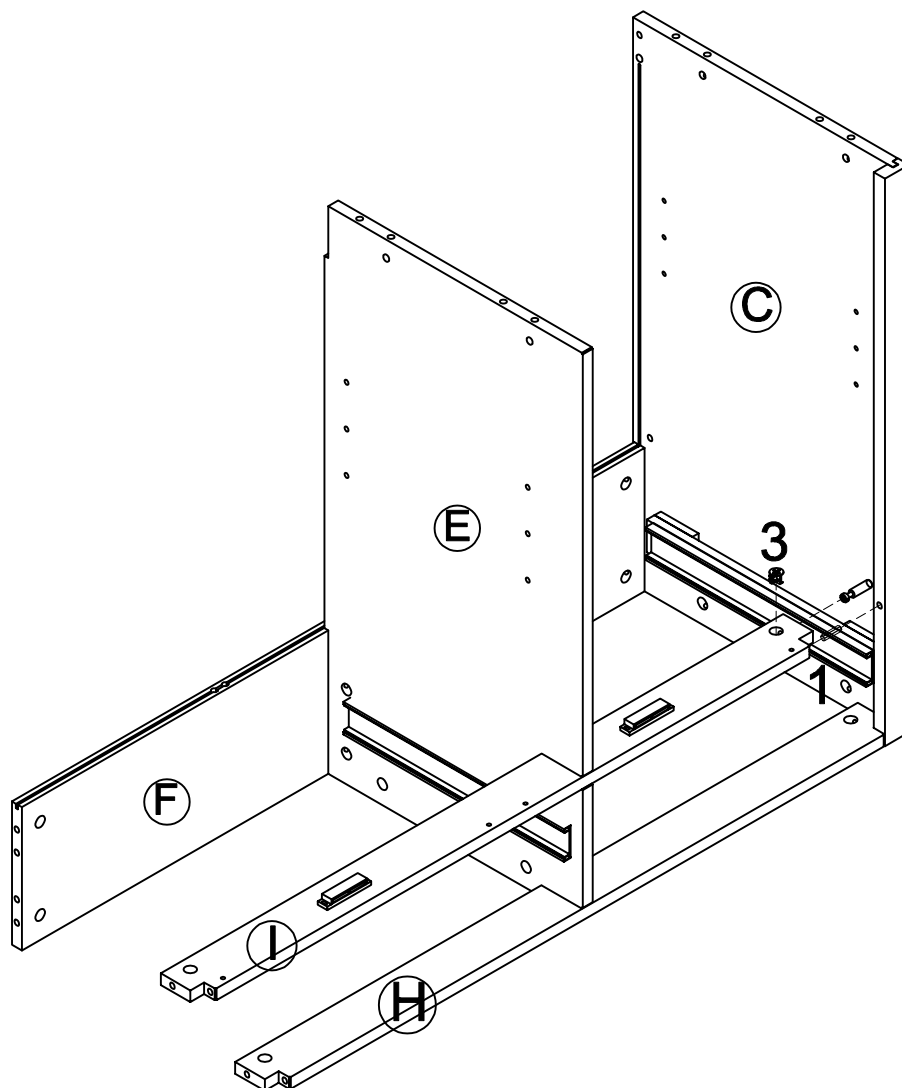


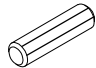

24	
	MAGNET 2 PCS
25	
	15mm*Ø3*D6mm ROUND HEAD SCREW 4 PCS

STEP 8

Attach front lower rail (I) to left side panel (C) using wood dowels (1) and cam lock (3).

Tighten by screwdriver (not included).

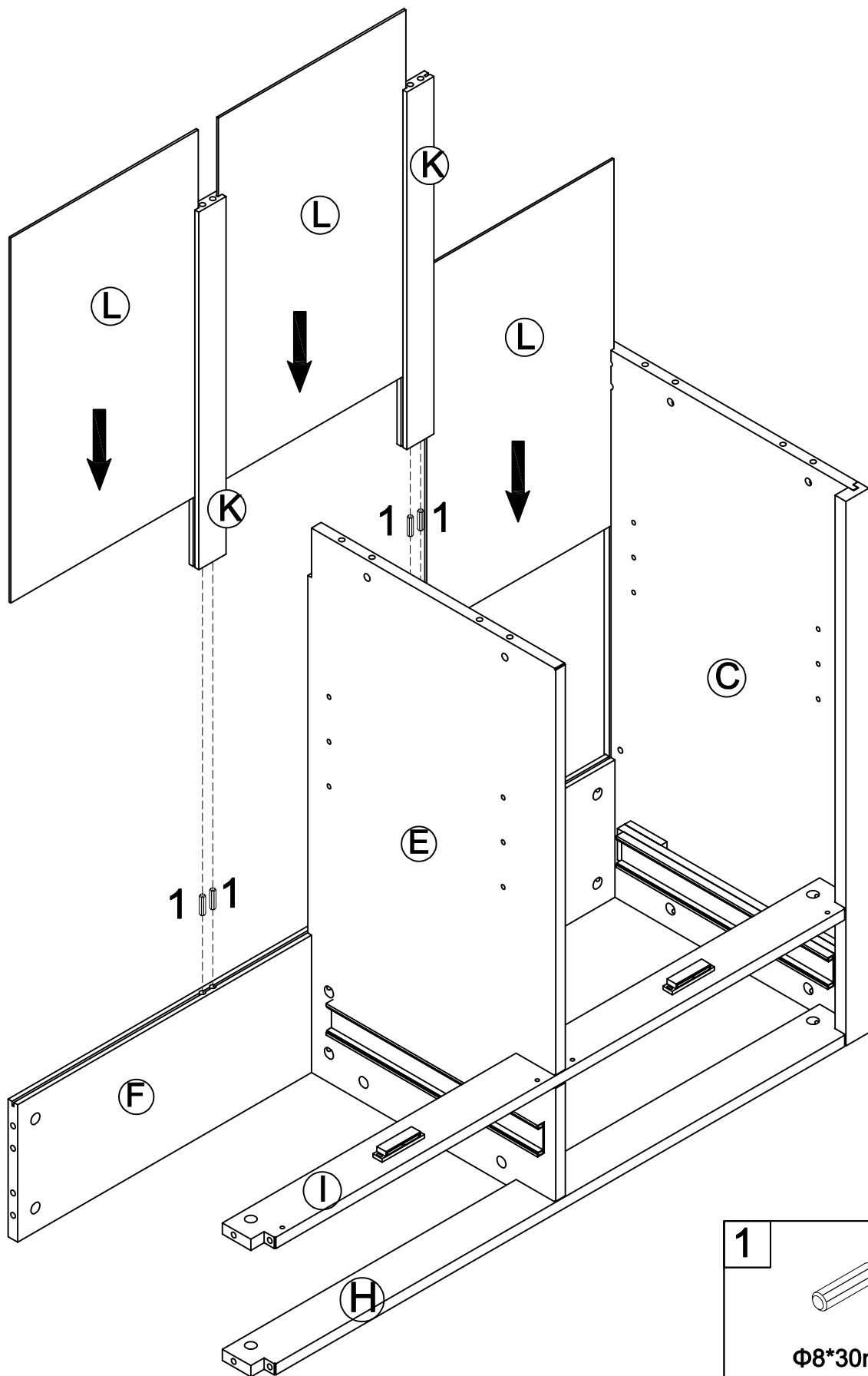


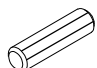
1	
	Ø8*30mm WOOD DOWEL 1 PC
3	
	CAM LOCK 1 PC

STEP 9

Attach back middle rails (K) to back upper rail (F) use wood dowels (1).

Insert back panels (L) into back middle rails (K) and back upper rail (F) and left side panel (C).



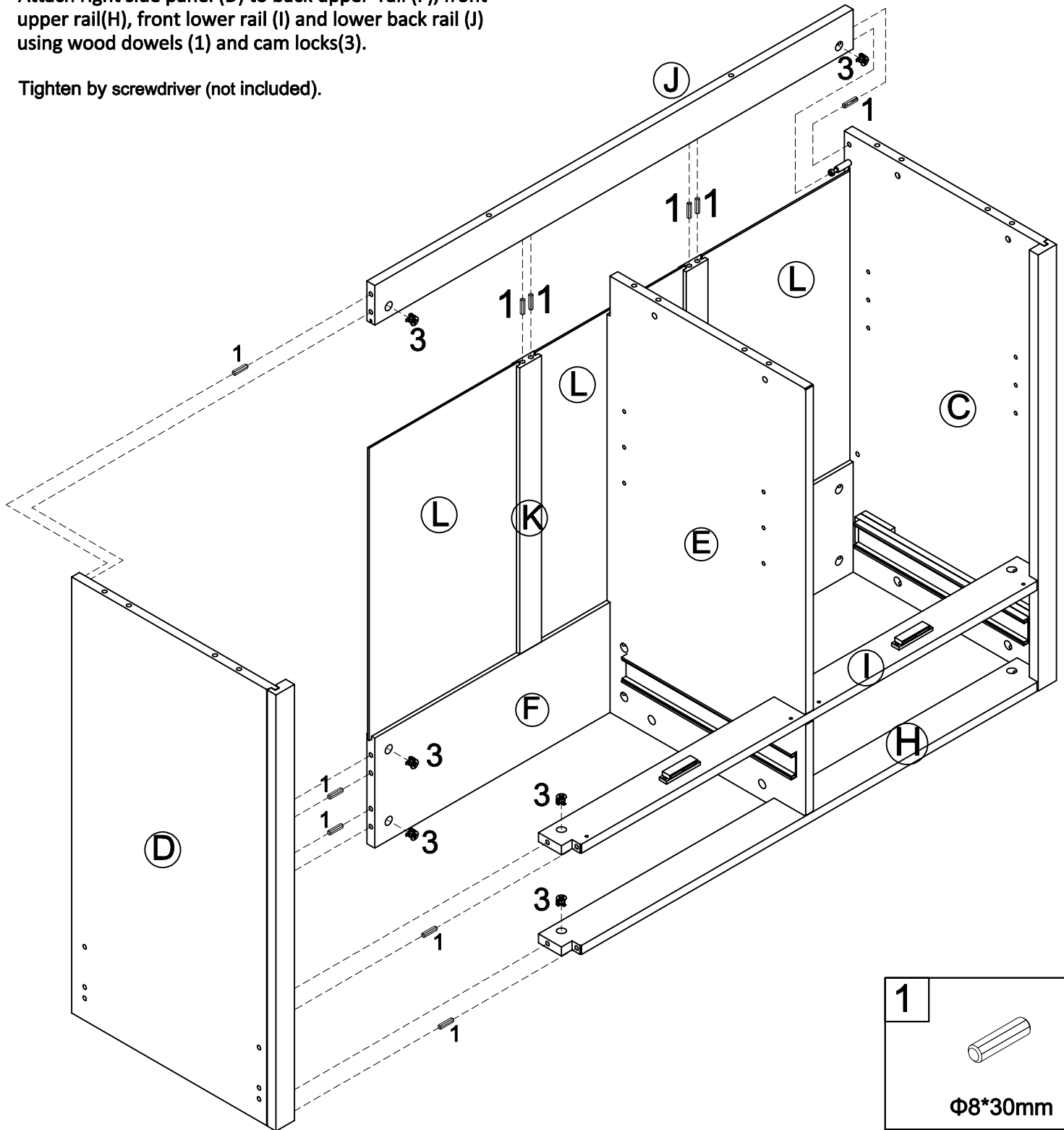
1	
Φ8*30mm	
WOOD DOWEL	
4 PCS	

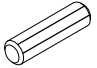
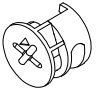
STEP 10

Attach lower back rail (J) to left side panel (C) and back middle rails (K) using wood dowels (1). Secure lower back rail (J) to left side panel(C) using cam locks(3).

Attach right side panel (D) to back upper rail (F), front upper rail(H), front lower rail (I) and lower back rail (J) using wood dowels (1) and cam locks(3).

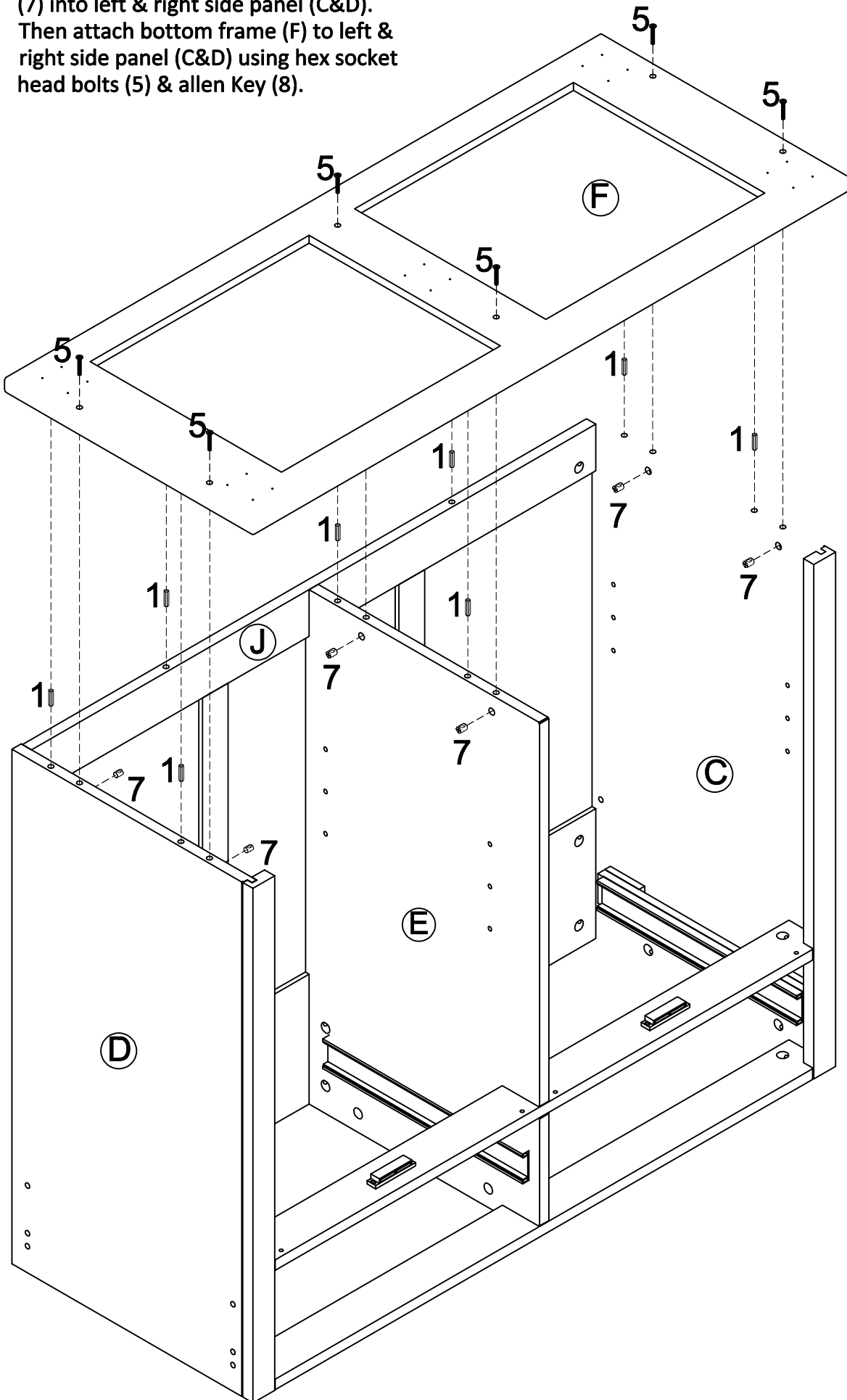
Tighten by screwdriver (not included).

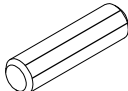
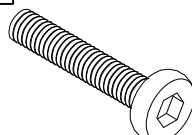

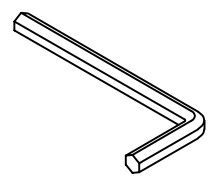


1	
	Φ8*30mm WOOD DOWEL 10 PCS
3	
	CAM LOCK 6 PCS

STEP 11

Insert wood dowels (1) and barrel nuts (7) into left & right side panel (C&D).
Then attach bottom frame (F) to left & right side panel (C&D) using hex socket head bolts (5) & allen Key (8).

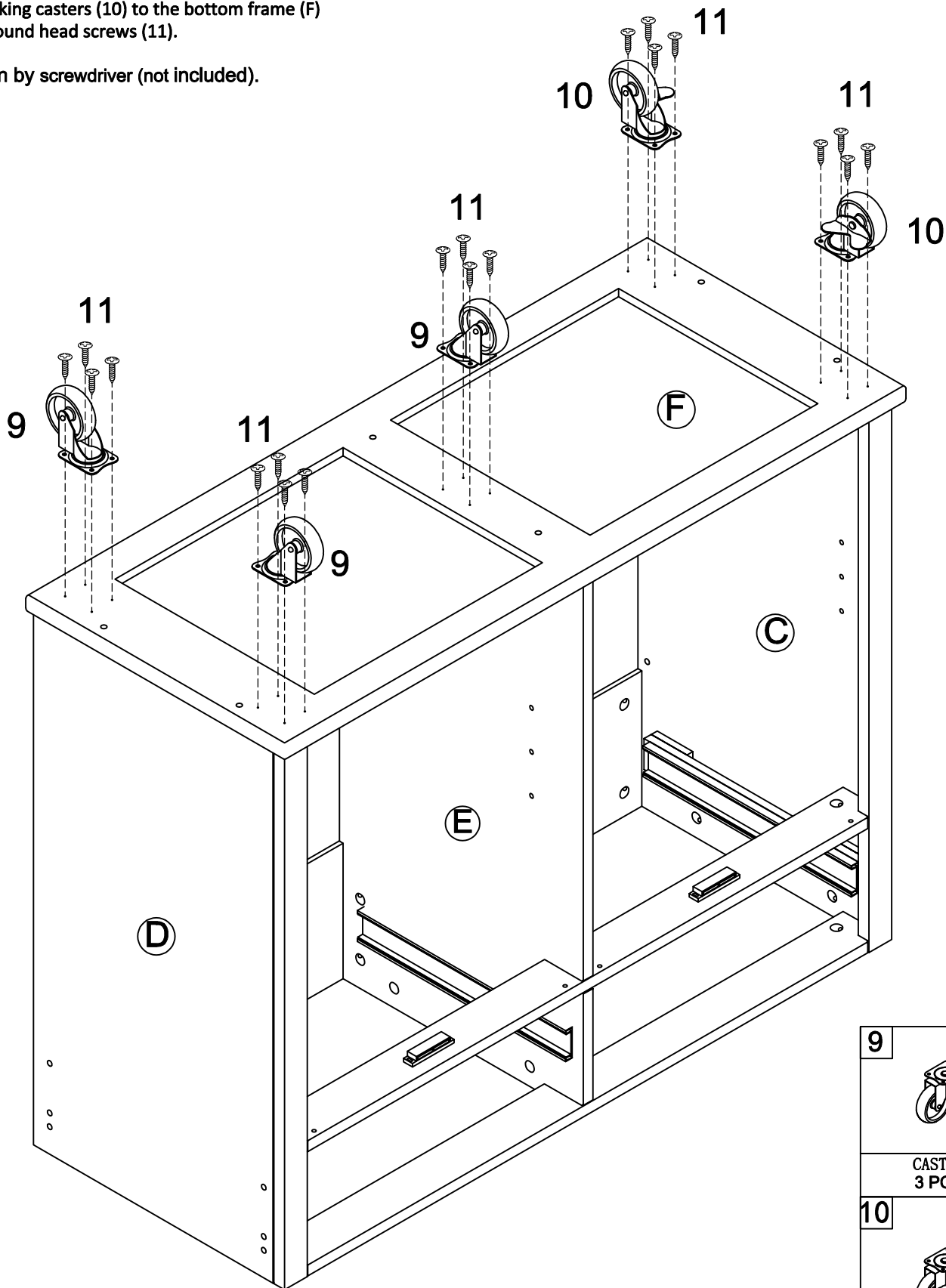




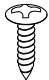
1	 Φ8*30mm WOOD DOWEL 8 PCS
5	 2-1/2"*Ø1/4"*D11mm HEX SOCKET HEAD BOLT 6 PCS
7	 BARREL NUT 6 PCS
8	 ALLEN KEY 1 PC

STEP 12

Using the pilot holes as a guide, attach caster(9) and locking casters (10) to the bottom frame (F) using round head screws (11).

Tighten by screwdriver (not included).



9	
	CASTER 3 PCS
10	
	LOCKING CASTER 2 PCS
11	
	18mm*Ø4*D9mm ROUND HEAD SCREW 20 PCS

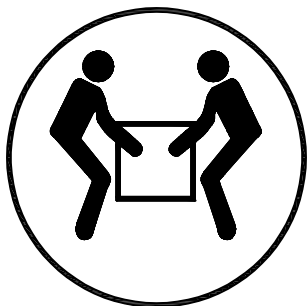
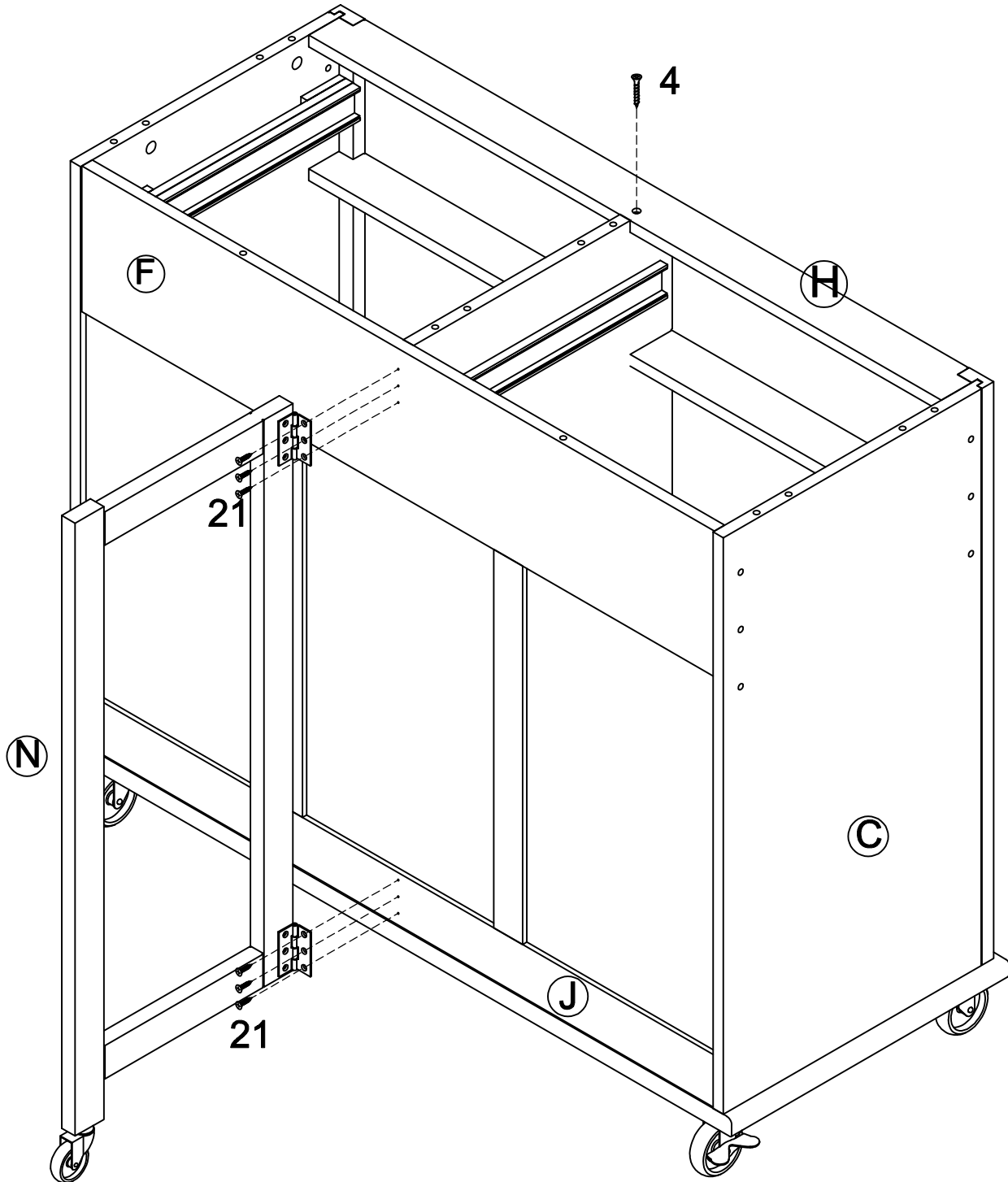
STEP 13

Carefully place the cart upright.


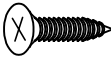
Using the pilot holes as a guide, attached leaf support frame (N) to back upper rail (F) and back lower rail (J) using screws (21).

Attached front upper rail (H) to middle clapboard (E) using screw (4).

Tighten by screwdriver (not included).

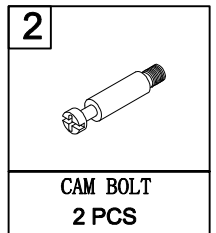
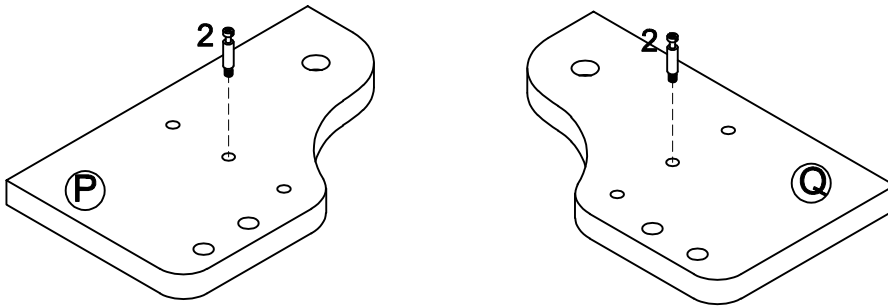


CAUTION: Heavy! You may need assistance with this step.

4	 1-1/4" * ϕ 4 * D8mm	21	 3 * 15mm * D8mm
	SCREW 1 PC		SCREW 6 PCS

STEP 14

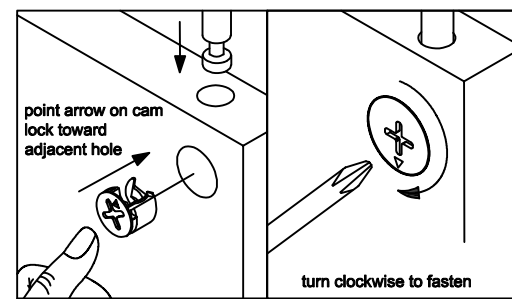
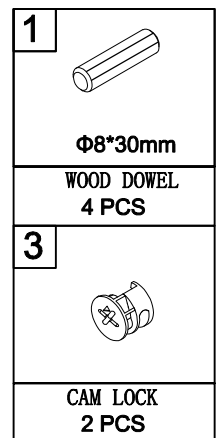
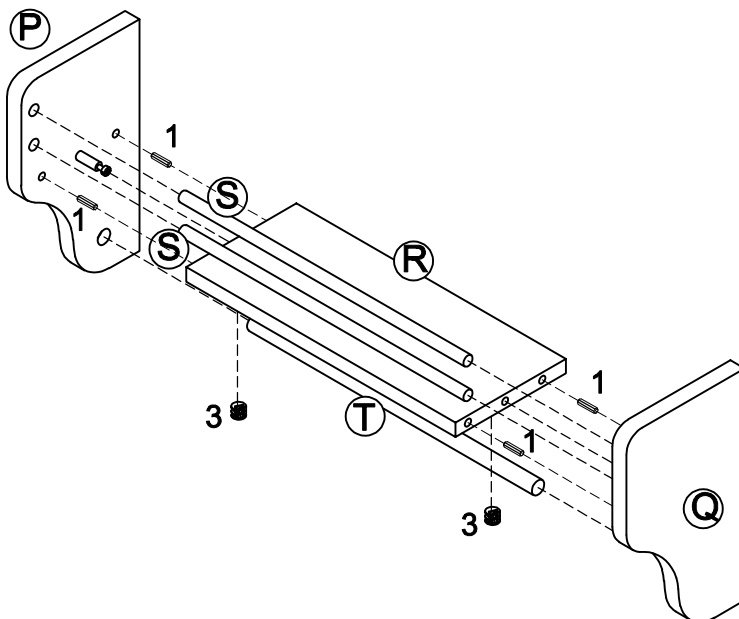
Lock the cam bolts (2) into left ear side panel (P) and right ear side panel (Q).



STEP15

Attach ear connecting panel (R) to left ear side panel (P) using wood dowels (1) and cam lock (3). Tighten cam lock (3).

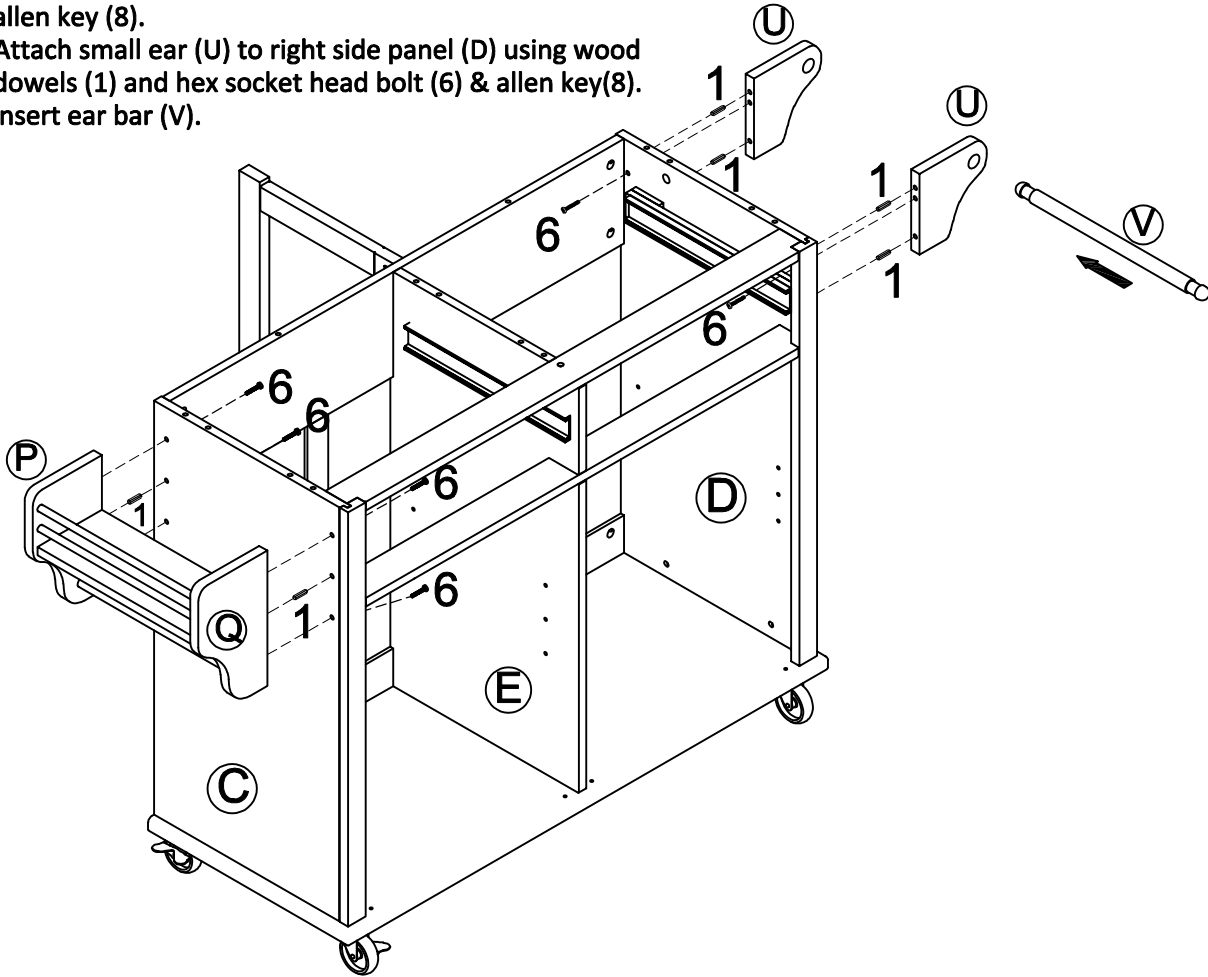
Insert left small ear bar (S) and left big ear bar (T) into holes on left ear side panel (P). Attach right ear panel (Q) to ear connecting panel (R) using wood dowels (1) and cam lock (3). Make sure left small ear bar (S) and left big ear bar (T) is aligned and tighten cam lock(3).



STEP 16

Attach left & right ear side panel (P&Q) to left side panel (C) using wood dowels (1) & hex socket head bolts (6) & allen key (8).

Attach small ear (U) to right side panel (D) using wood dowels (1) and hex socket head bolt (6) & allen key(8).
Insert ear bar (V).

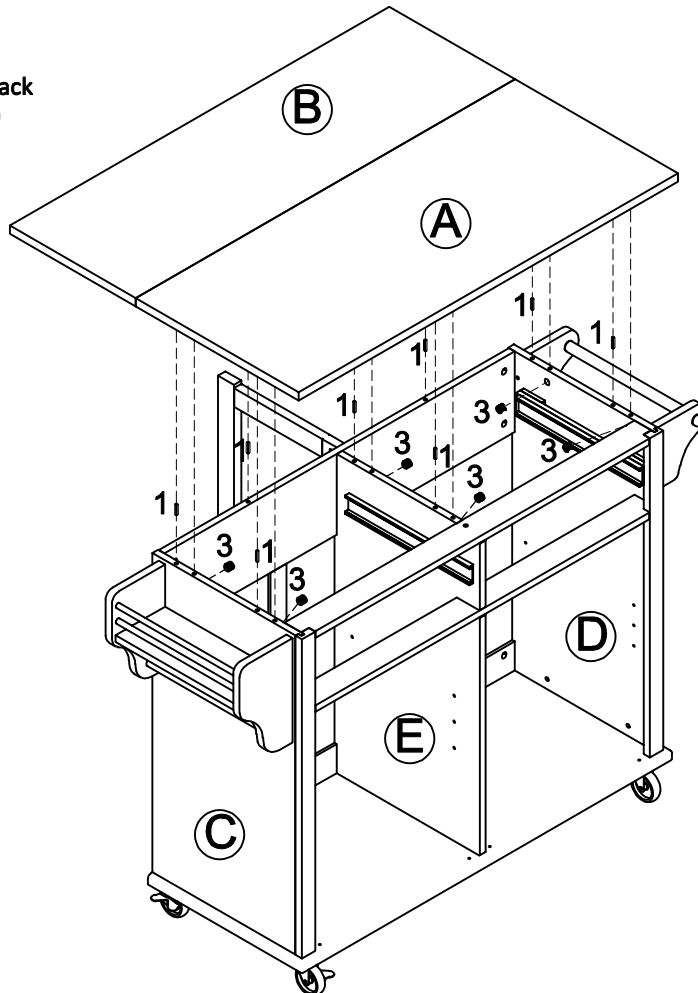


1	
	Φ8*30mm WOOD DOWEL 6 PCS
6	
	1-1/2**Ø1/4**D11mm HEX SOCKET HEAD BOLT 6 PCS
8	
	ALLEN KEY 1 PC

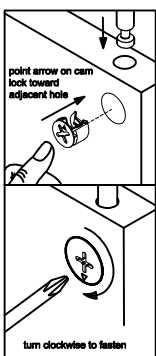
STEP 17

Attach top frame (A) to left & right side panel (C&D), middle clapboard(E) and back upper back rail(F) using wood dowels(1) and cam locks(3).

Tighten by screwdriver (not included).

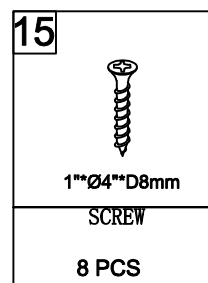
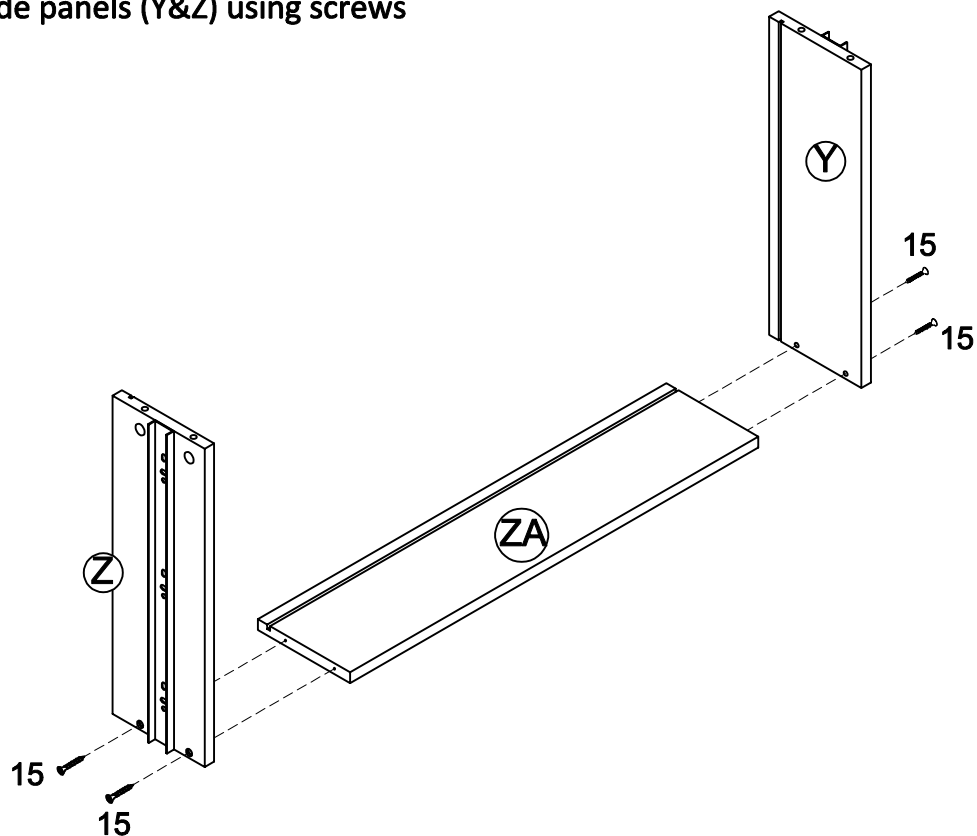


1	
	Φ8*30mm WOOD DOWEL 8 PCS
3	
	CAM LOCK 6 PCS



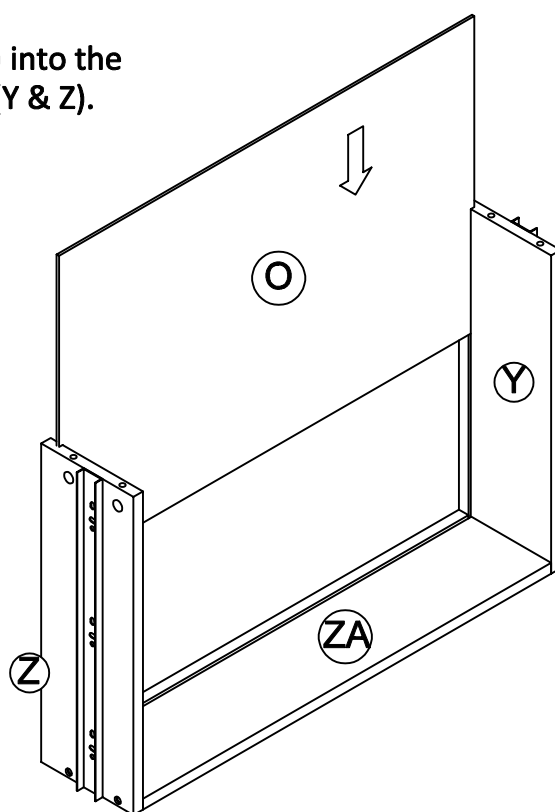
STEP 18

Attach drawer back panel (ZA) to drawer side panels (Y&Z) using screws (15).



STEP 19

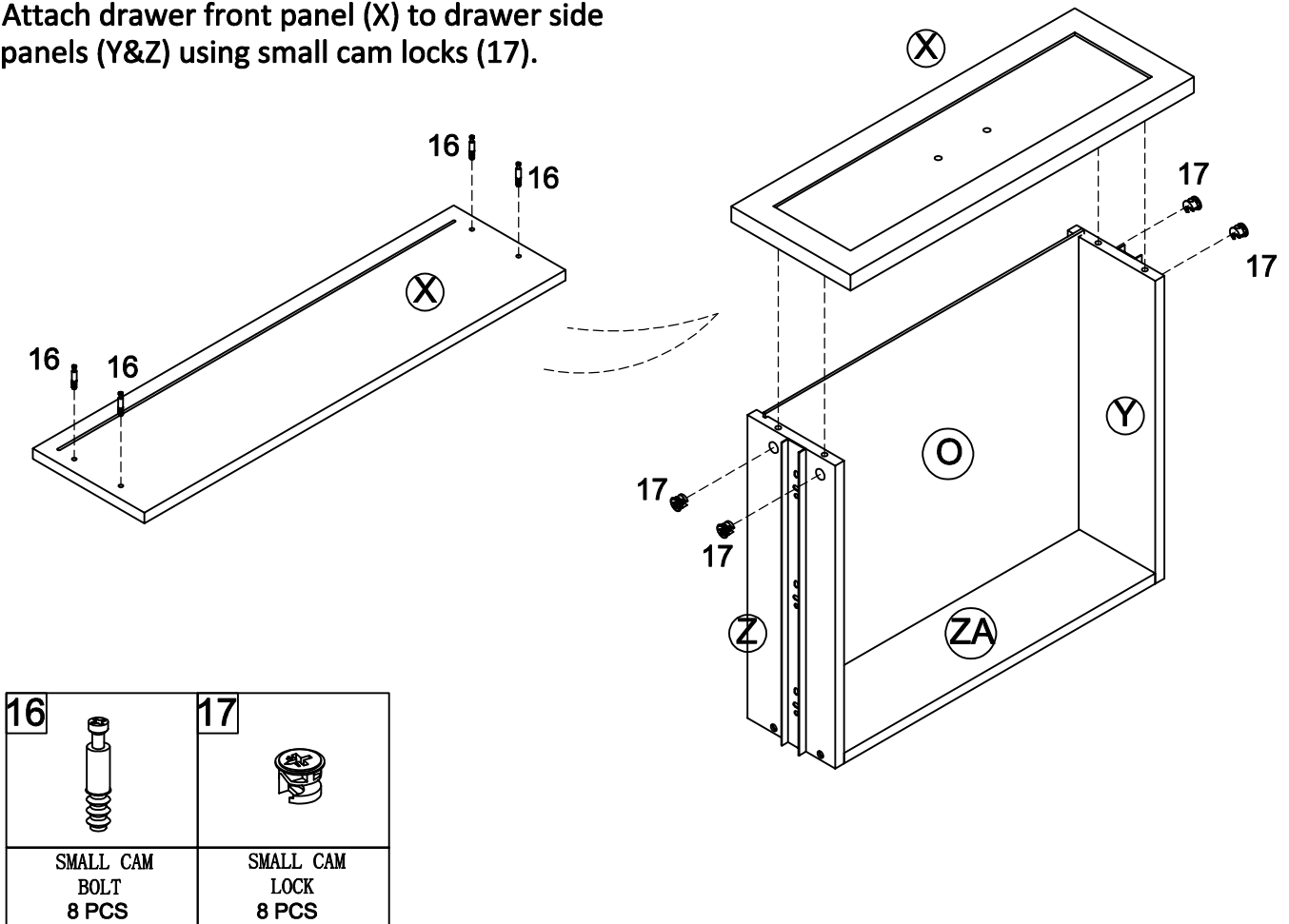
Insert drawer bottom panel (O) into the grooves of drawer side panels (Y & Z).



STEP 20

Lock the small cam bolts (16) into drawer front (X).

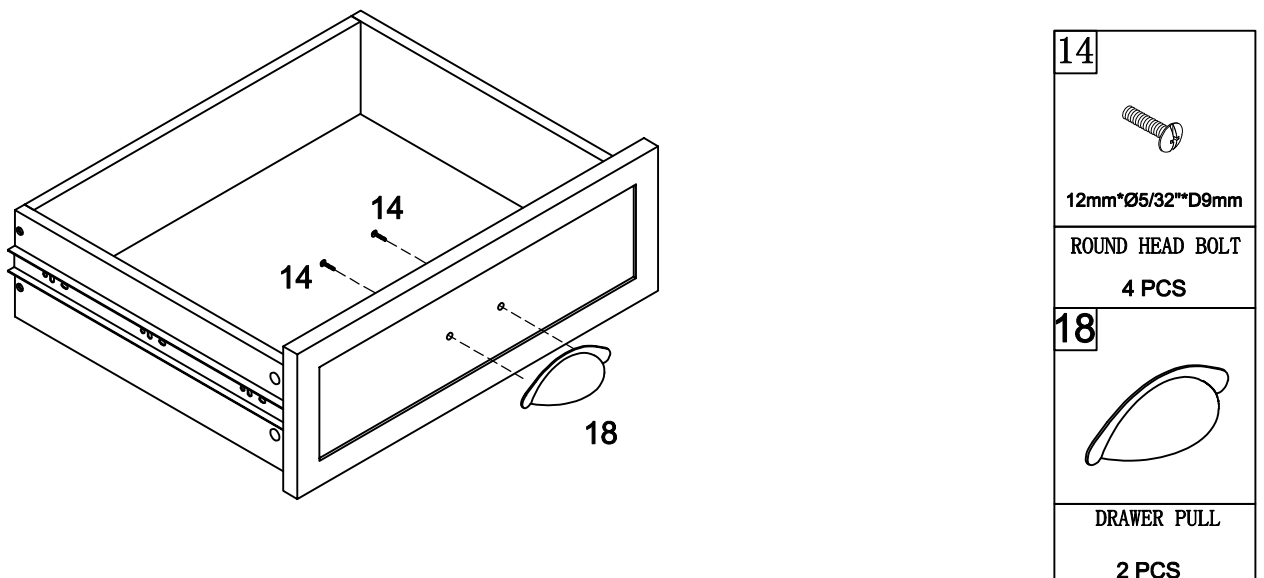
Attach drawer front panel (X) to drawer side panels (Y&Z) using small cam locks (17).



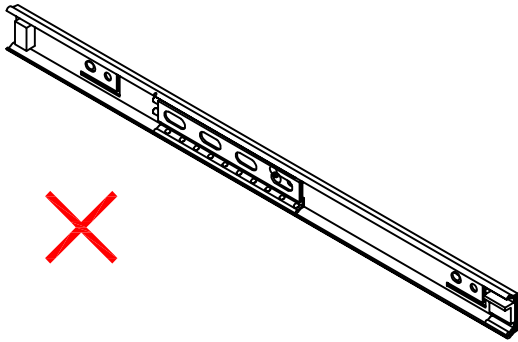
STEP 21

Attach drawer pull (18) to drawer front (X) using round head bolts (14).

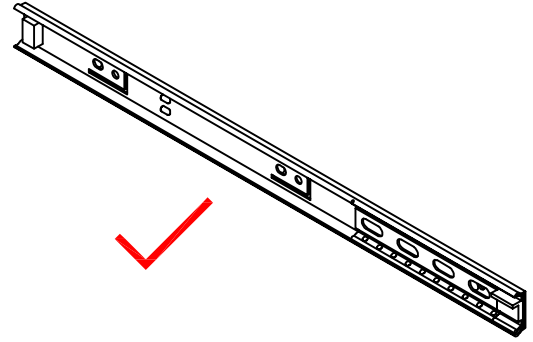
Repeat steps 18 though 21 to assemble second drawer.



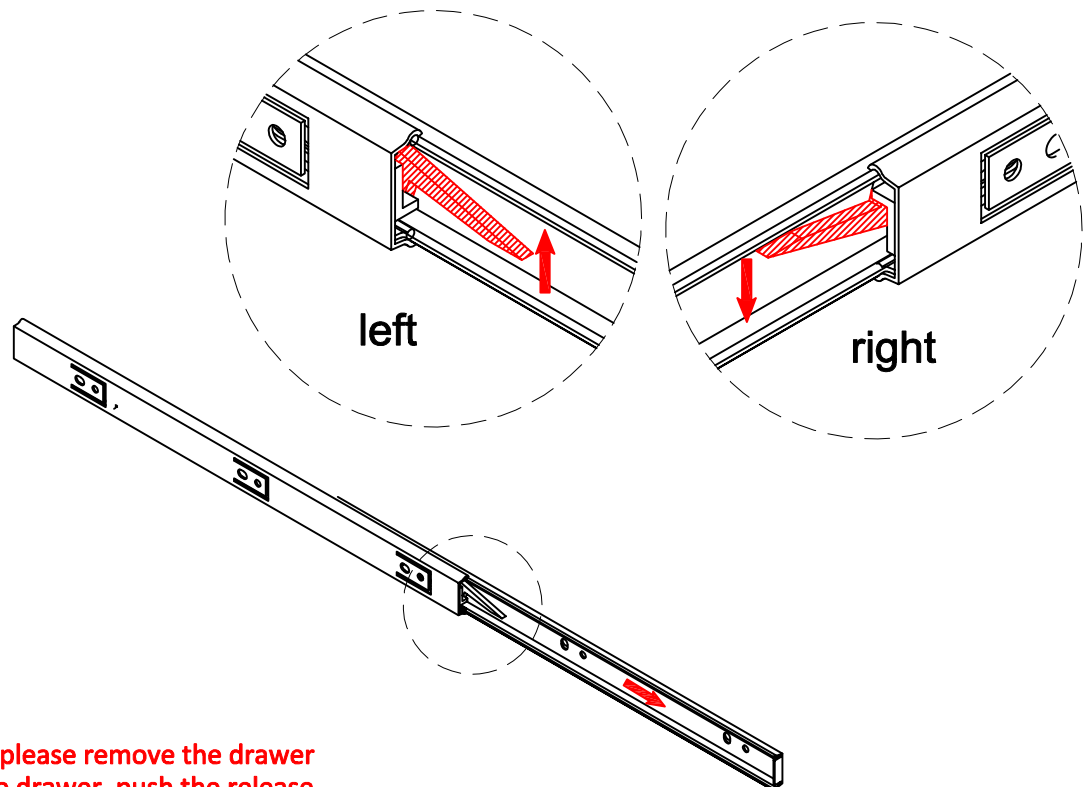
Attention of Inserting Drawer



INCORRECT: If the ball bearing is at the back of the glide when the drawer is inserted, the glide will not align and can be damaged causing the drawer to jam.



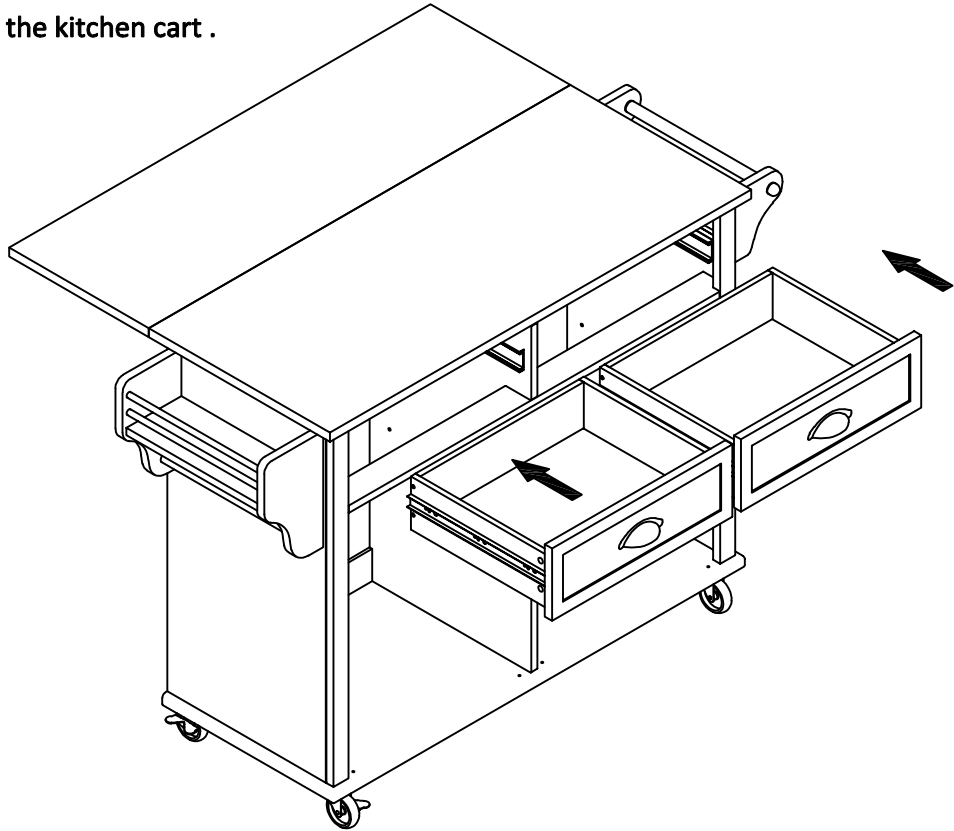
CORRECT: Slide the ball bearings all the way to the front of the glide. Carefully align the rails on the drawer with the rails on the cart and insert slowly. **DO NOT FORCE.**



NOTE: If the drawer jams, please remove the drawer and realign. To remove the drawer, push the release tabs as indicated above for both sides and hold. Slowly remove the drawer. (The tabs must be fully depressed and held to release the drawer.) Realign the ball bearings and reinsert the drawer.

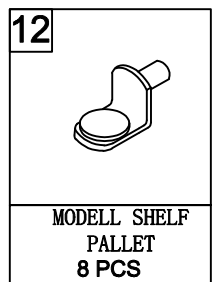
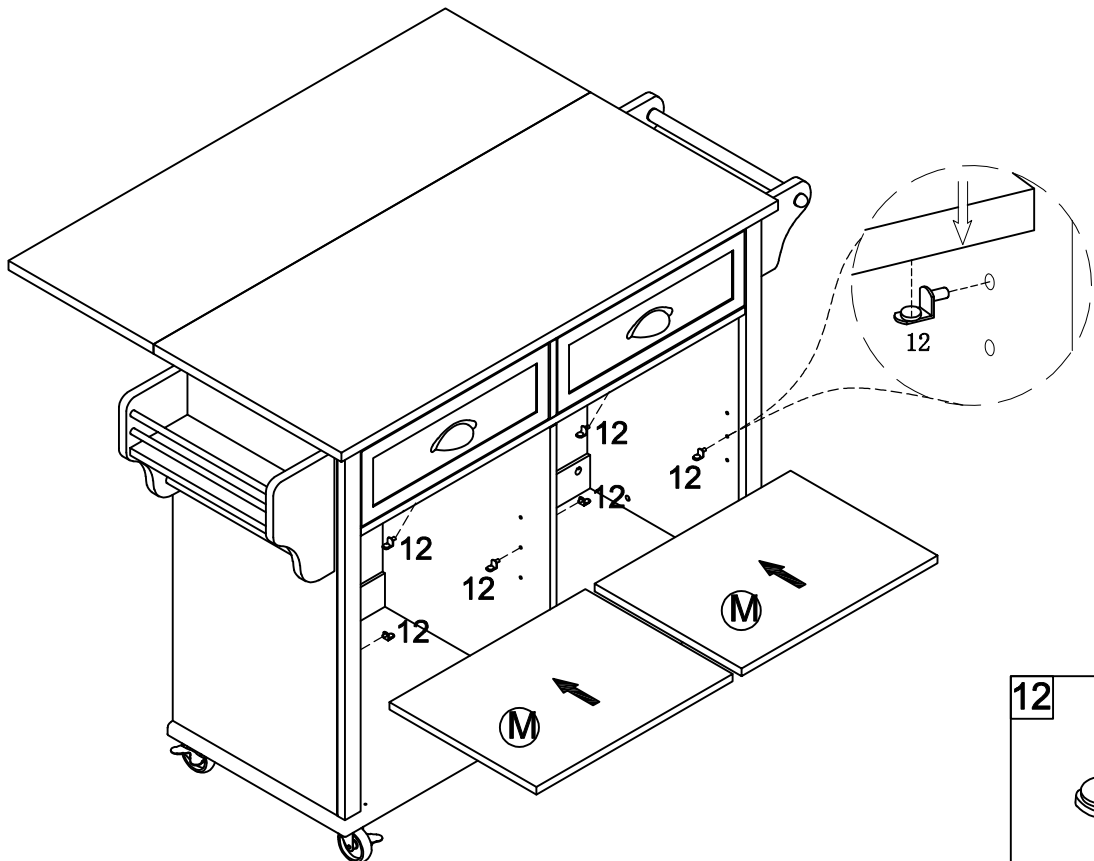
STEP 22

Insert the drawers into the kitchen cart .



Step 23

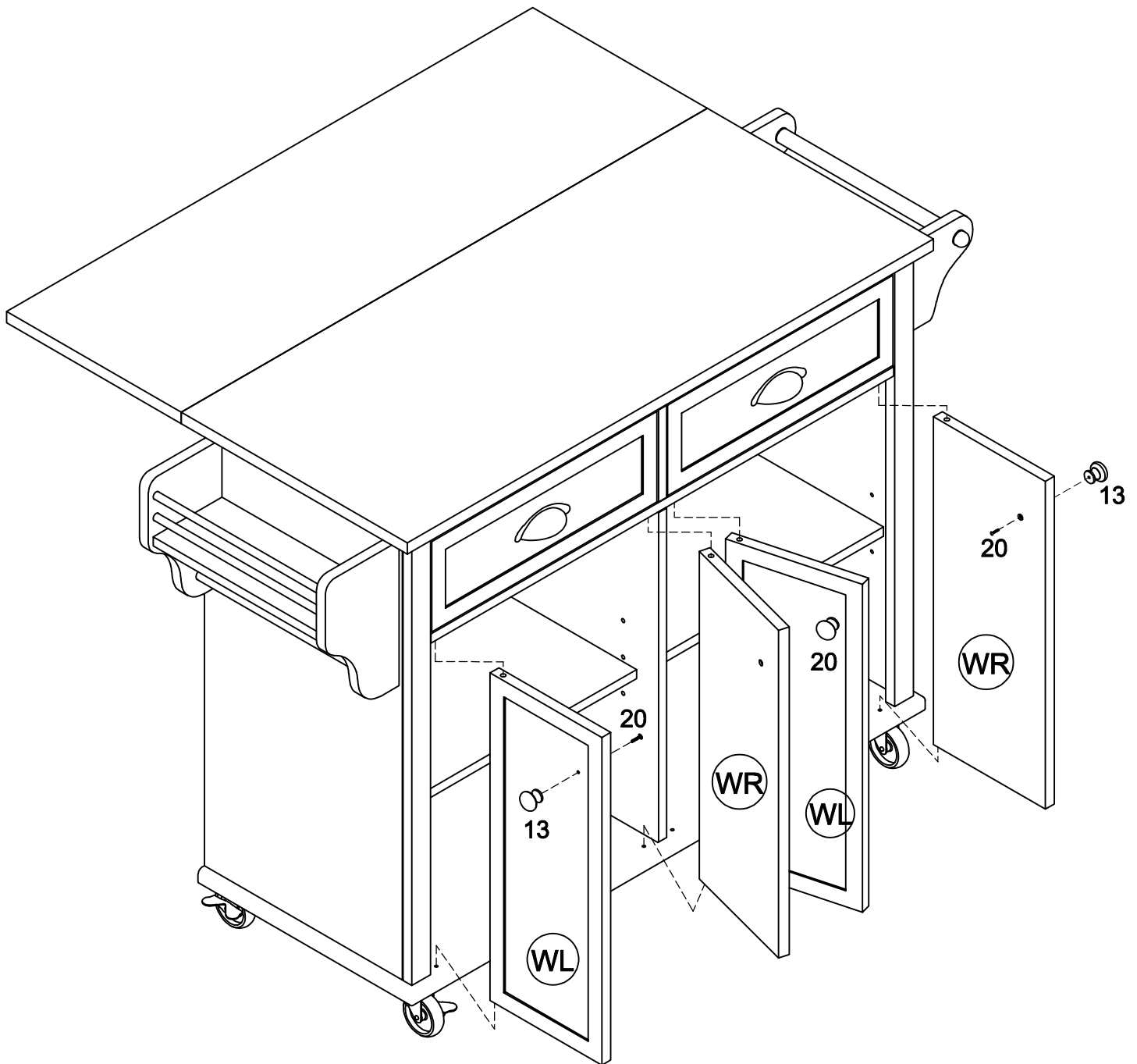
Insert modell shelf pallet (12) into desired position.
Slide adjustable shelf panels (M) in place.



STEP 24

Attach knobs (13) to left & right door frames (WL&WR) using round head bolts (19).

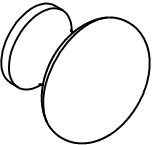
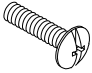
Attach left door (WL) and right door (WR) to front lower rail (I) and bottom panel (F).



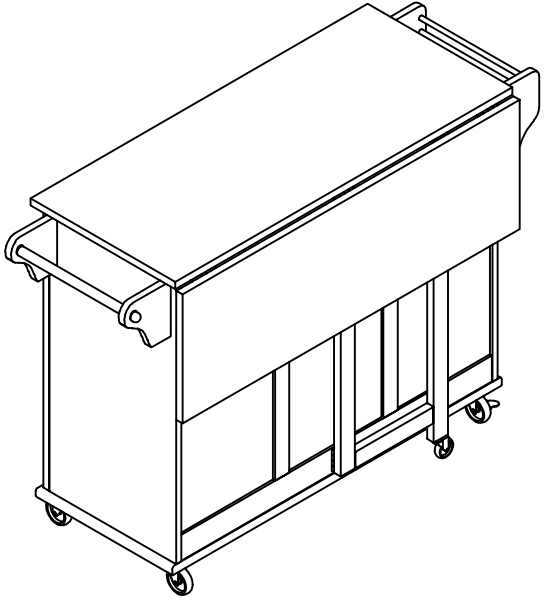
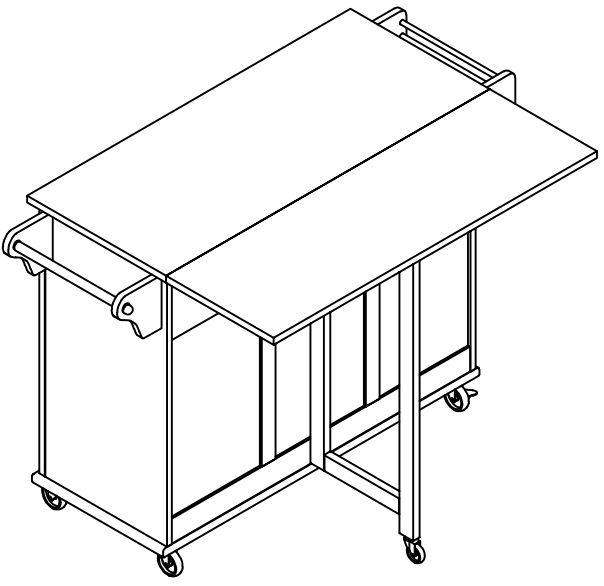
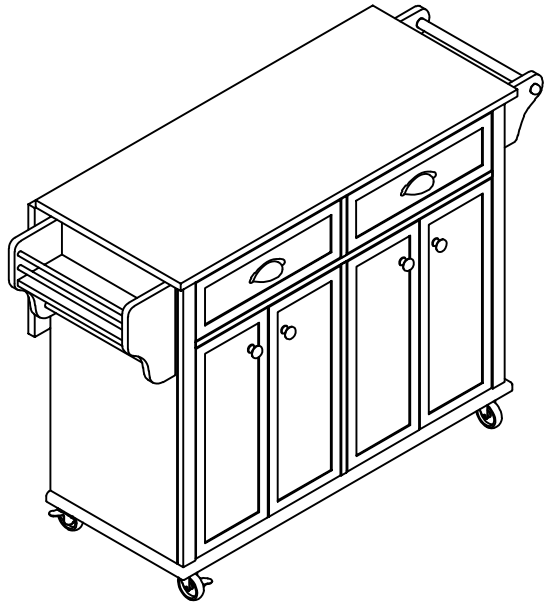
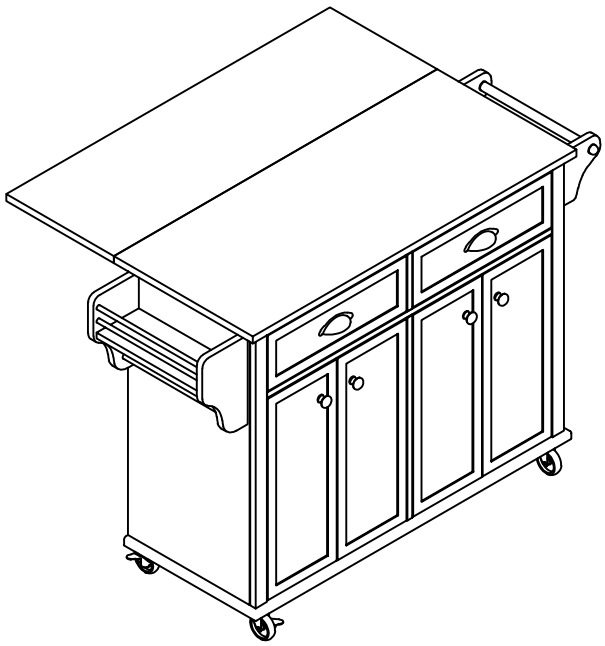
NOTE: Open and close the doors and adjust the gaps to make sure they are aligned and shut correctly.

If you find that the doors do not close properly or do not align correctly, please follow these steps:

1. The magnets (24) can be adjusted to ensure that the doors function properly. This can be done by moving the magnet forward and back.
2. Once the doors function properly, go back and tighten all the screws.

13 	19 
KNOB 4 PCS	ROUND HEAD BOLT 4 PCS

STEP 25
The cart is now ready for use.



CARE INSTRUCTIONS

NEVER

allow liquids to remain on furniture.
Absorption causes parts to warp
and split and finishes to delaminate.

NEVER

use glass cleaners on
finished furniture. Ammonia
chemically attacks the finish.



Do not use power tools
above 8 volts to assemble.
**PREVENT
CRACKING**



Do not place
in direct sunlight.
**PREVENT
FADING**



Do not write
directly on surface.
**PREVENT
MARKING**



Do not place hot
objects on surface.
**PREVENT
FINISH DAMAGE**



Do not use rubber
based placemats.
**PREVENT
DISCOLORING**



Do not use commercial
waxes and polishes.
**PREVENT
YELLOWING**

CLEAN

with a soft cloth moistened
in lukewarm soap and water.
Buff with a dry clean cloth.

