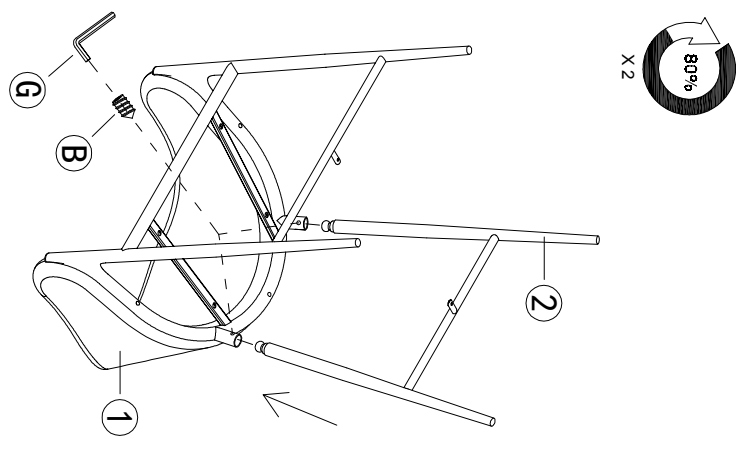


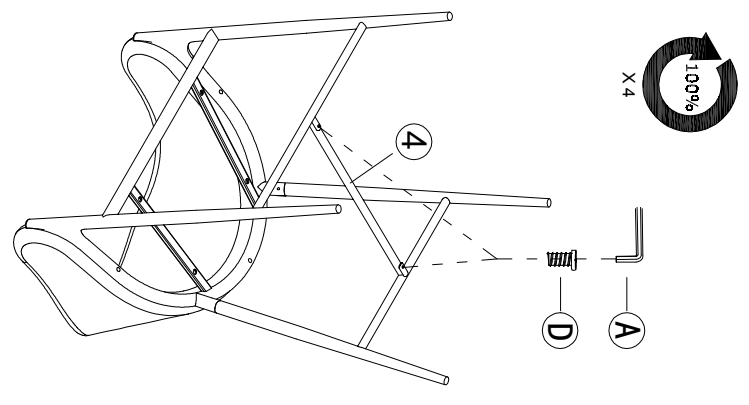
ASSEMBLY INSTRUCTIONS FOR
ITEM NO: CH450-CH457 / BS450-BS457

STEP 1

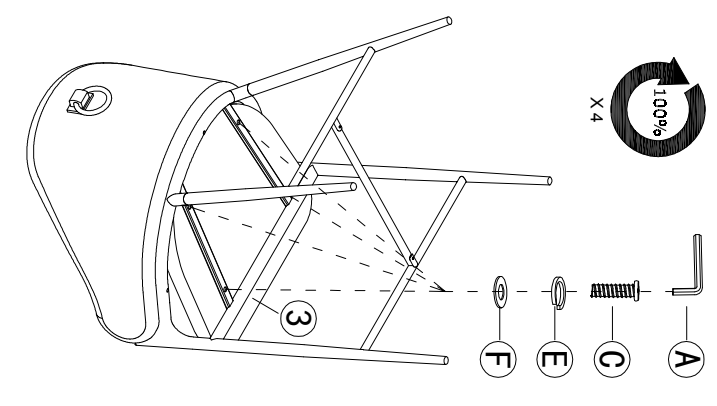


Please don't over
tighten bolts .

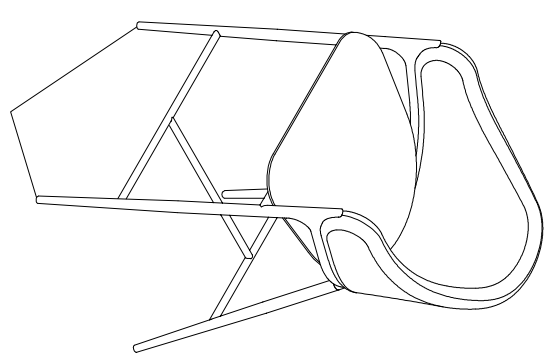
STEP 2



STEP 3



STEP 4



Adjust if uneven.

Tighten all the bolts.

1	2	3	4	A	B	C	D	E	F	G
1 PC	1 PC	1 PC	1 PC	1 PC	2 PCS	4 PCS	2 PCS	4 PCS	4 PCS	1 PC
				4.0	M6*5	M6*30	M6*8	Ø10	Ø16	3.0