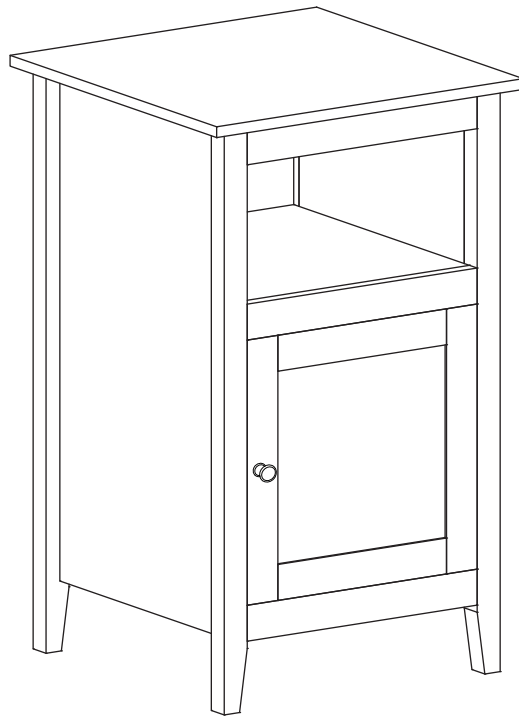


End Table with Cabinet

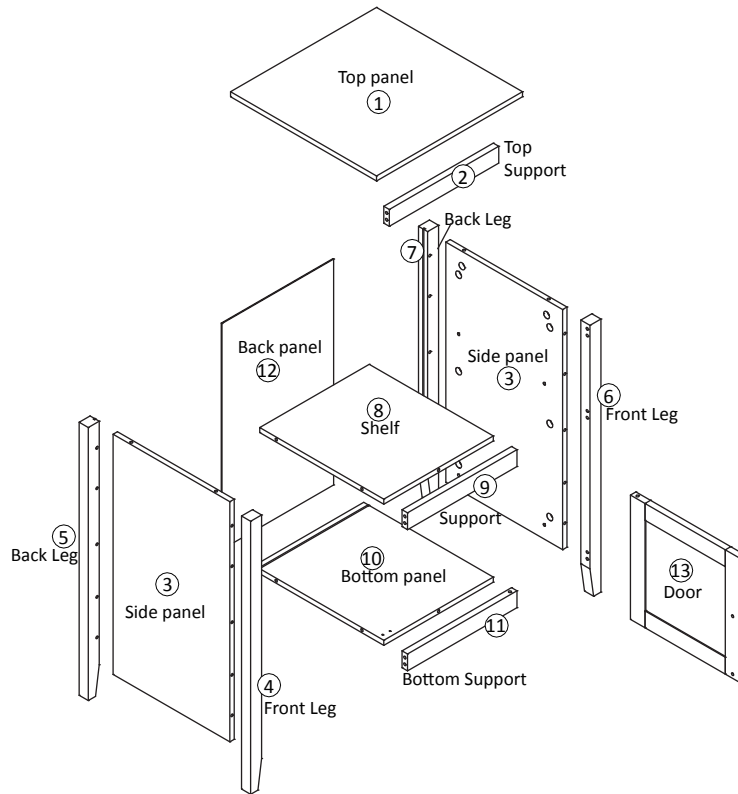


Assembly Instructions

We have designed our furniture with you, the customer in mind. Our clear, easy to follow step by step instructions will guide you through the project from start to finish.

Feel confident that this will be a fun and rewarding project. The final product will be a quality piece of furniture that will go together smoothly and give years of enjoyment.

Special Note: We recommend the use of a hand screwdriver to avoid the stripping of screw heads.



Items not provided.

Assembling the unit with cams and wood dowels.

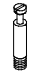
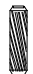
Phillips Head Screw Driver	Optional	Gently screw cam bolt into the threaded anchor.	Lightly glue one end of the wood dowel and tap halfway into hole.	Lightly glue wood dowel and connect to second panel by inserting dowels into holes.	Gently tighten camlock.

- A x24
Cam Bolt
- B x24
Cam Lock
- C x22
Wood Dowel
- D x2
Screw
- E x1
Door Magnet
- F x2
Door Hinge
- G x1
Small Screw
- H x1
Door Plate
- I x1
Knob Screw
- J x1
Door Knob

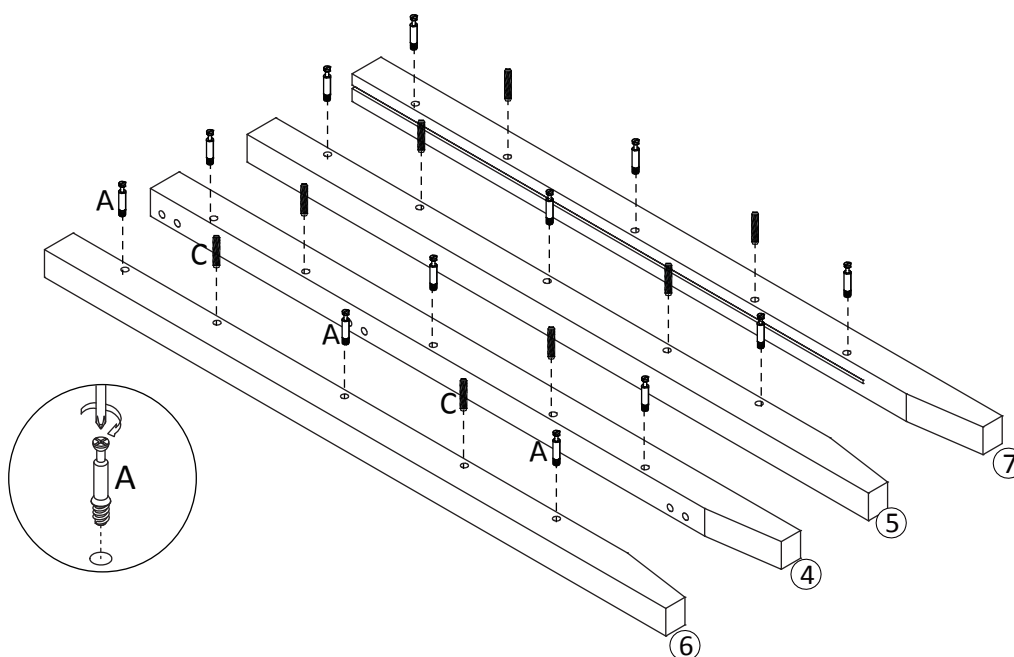


Please do not use any power tools in the assembly of this item. Use of power tools may cause damage and void manufacture warranty.


Step 1

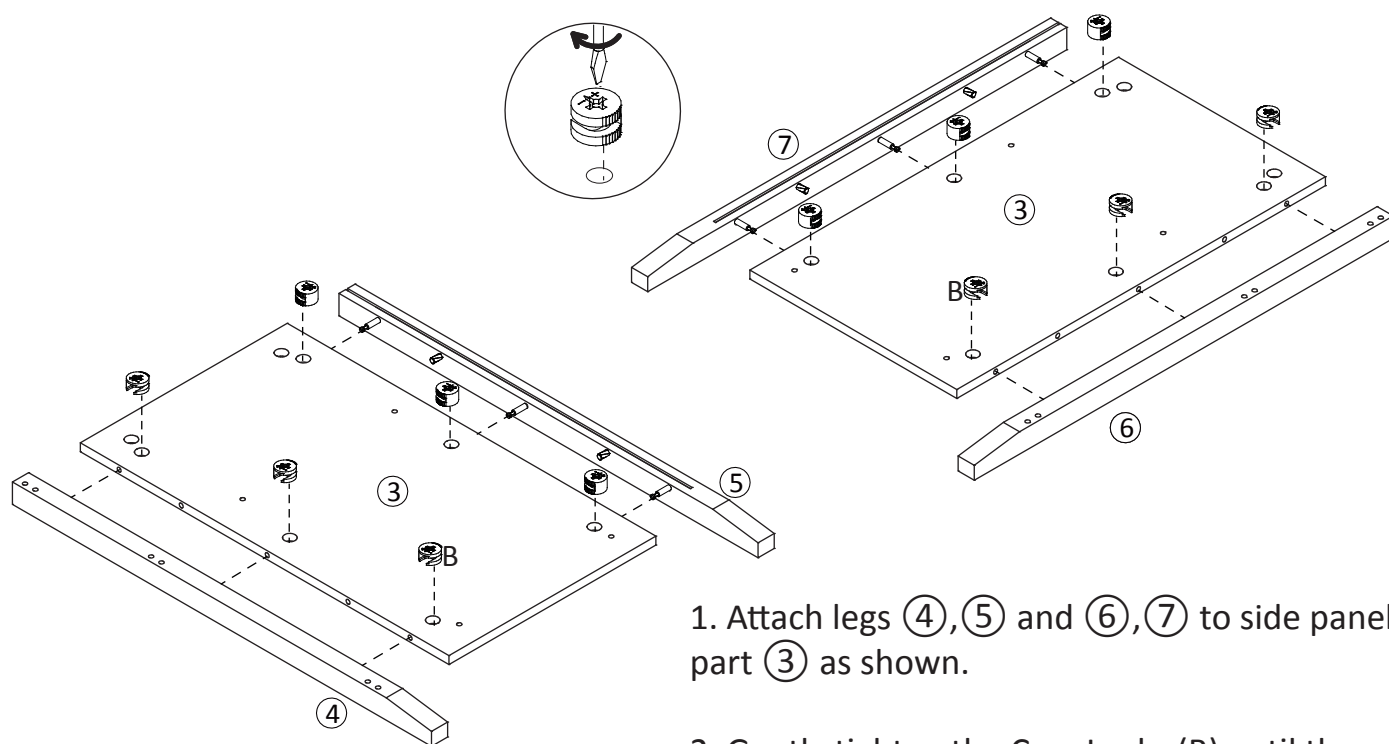
A X 12	
C X 8	

1. Screw Cam Bolts (A) and insert wood dowels (C) into legs, ④, ⑤, ⑥ and ⑦ as shown.



Step 2



B X 12	
--------	---



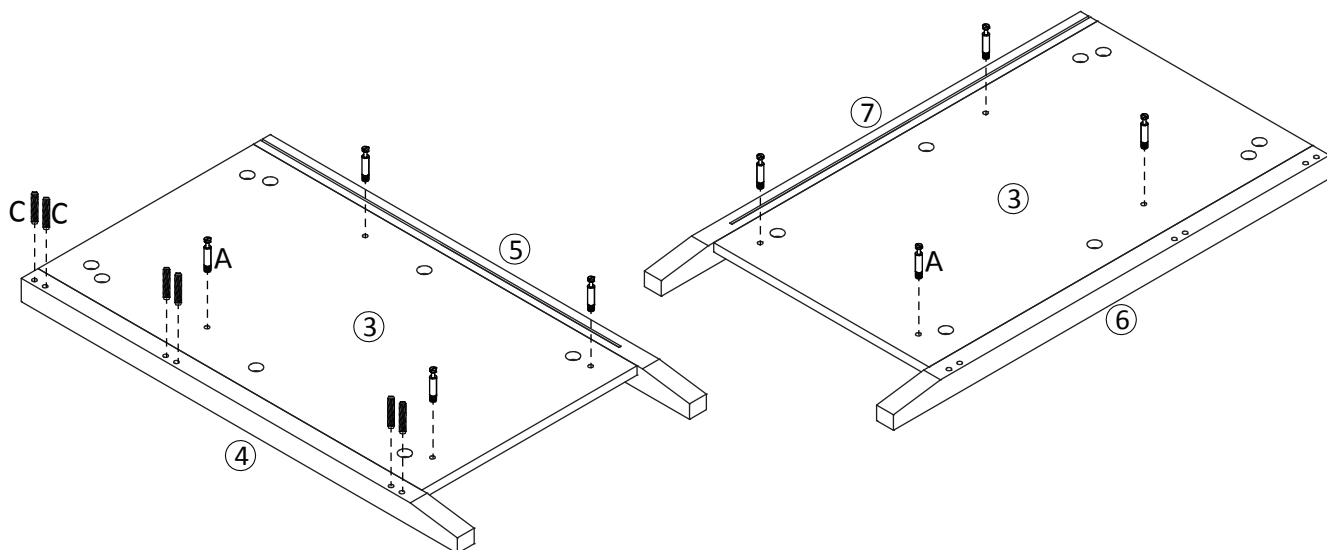
1. Attach legs ④, ⑤ and ⑥, ⑦ to side panels part ③ as shown.

2. Gently tighten the Cam Locks (B) until the parts are secured together.


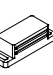
Step 3

A X 8	
C X 6	

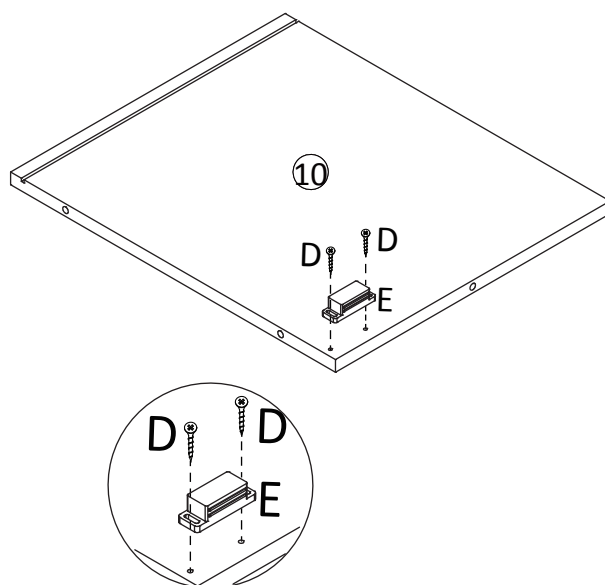
1. Screw Cambolts (A) into side panels parts ③ as shown.
2. Insert wood dowels (C) into front leg ④.



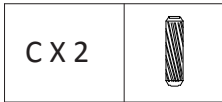
Step 4

D X 2	
E X 1	

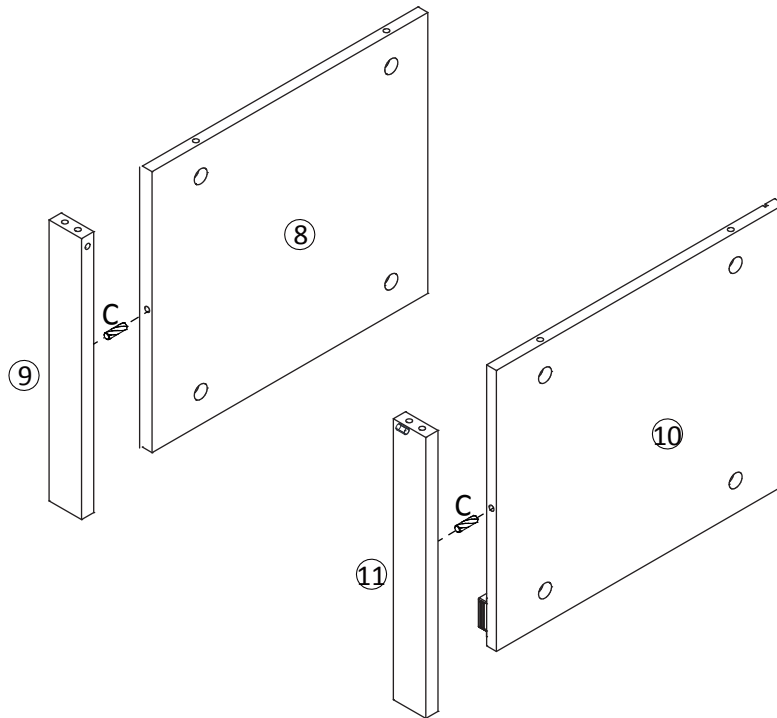
1. Attach door magnet (E) to the bottom panel ⑩ with the screws (D), making sure the metal strips on the door magnet (E) are faced away from the groove on bottom panel ⑩.



Step 5



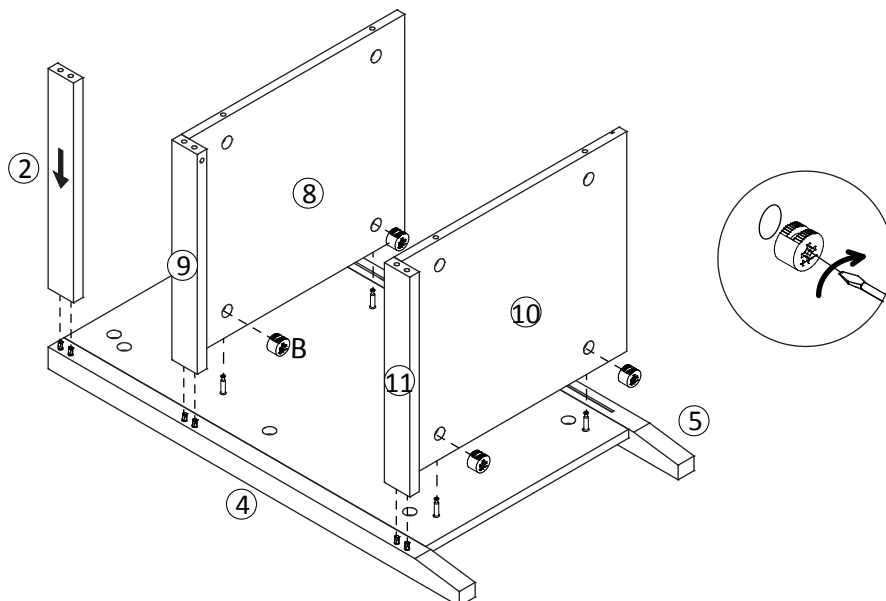
1. Attach support (9) to shelf (8) with wood dowel (C).
2. Attach bottom support (11) to bottom panel (10) with wood dowel (C).



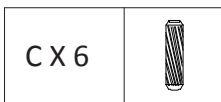
Step 6



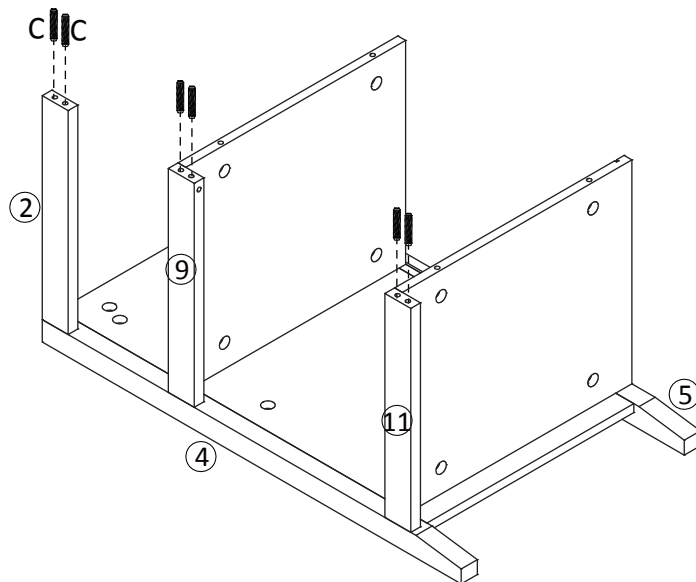
1. Attach top support (2) to front leg (4) with wood dowels (C) as shown.
2. Attach support (9), shelf (8), and bottom support (11), bottom panel (10) to assembly as shown, gently tighten camlocks until secured together.



Step 7



1. Insert wood dowels (C) into top support ②, support ⑨, and bottom support ⑪ as shown.

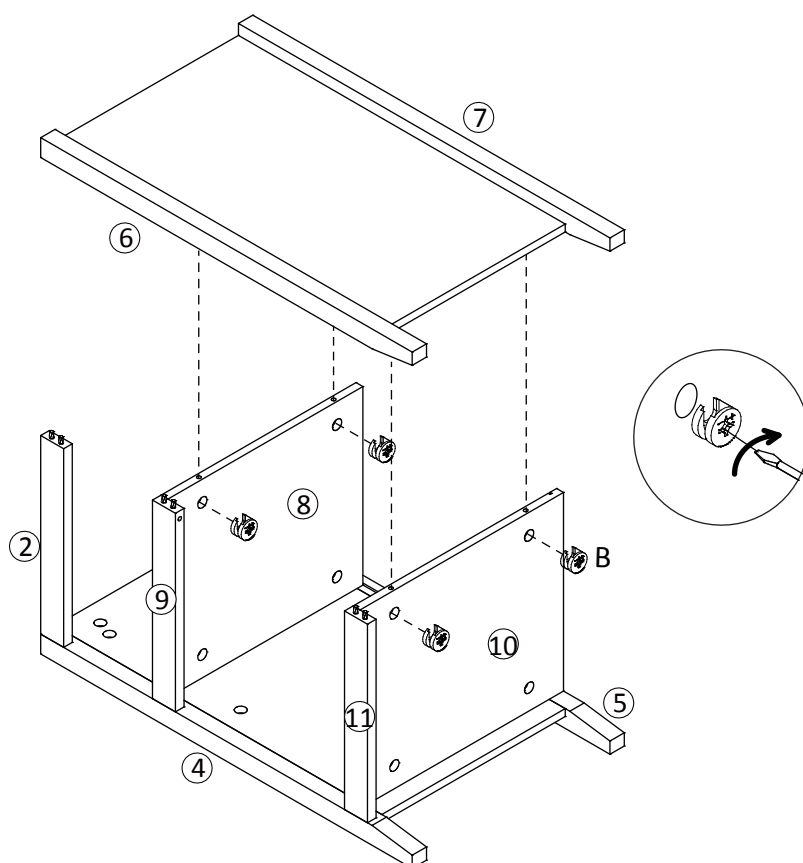


Step 8



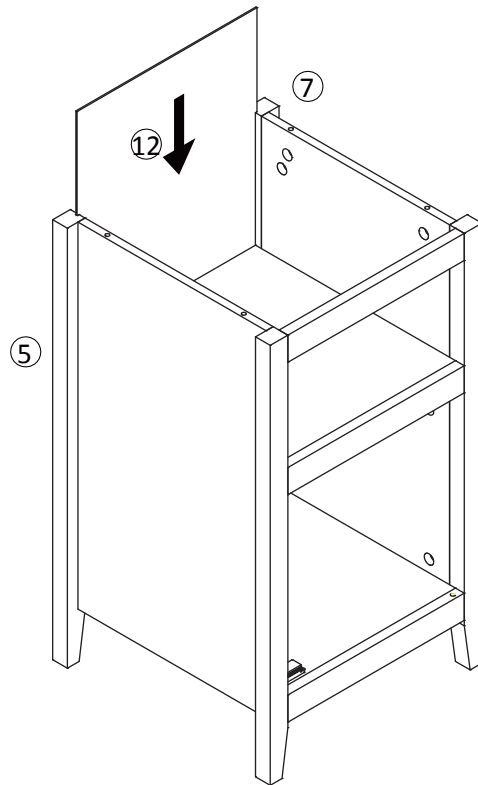
1. Place side assembly onto top support ②, support ⑨, shelf ⑧, bottom support ⑪, and bottom panel ⑩ as shown.

2. Gently tighten the camlocks until the parts are secured together.



Step 9

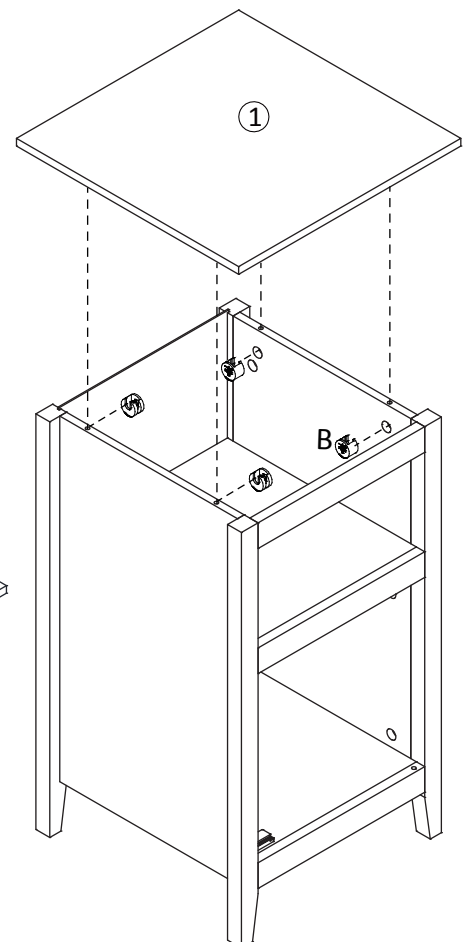
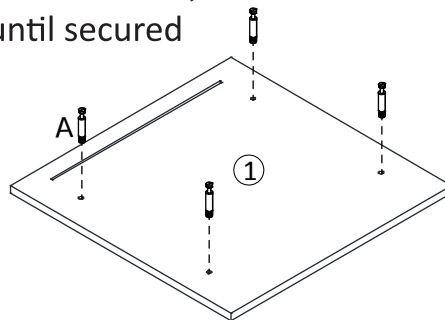
1. Gently slide back panel (12) into grooves of back legs (5) and (7).








Step 10

A X 4	
B X 4	

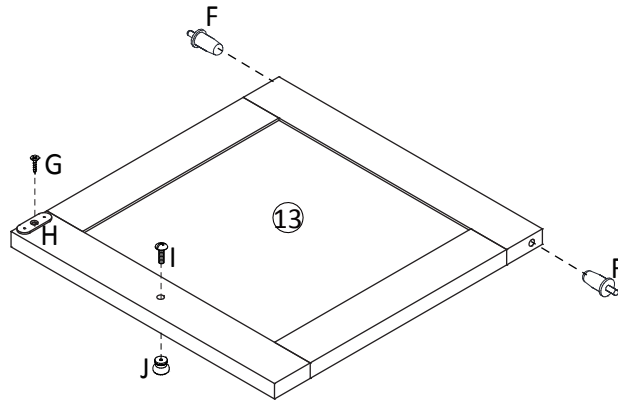
1. Screw cambolts (A) into top panel (1).
2. Place top panel (1) onto the unit as shown, and gently tighten camlocks (B) until secured together.



Step 11

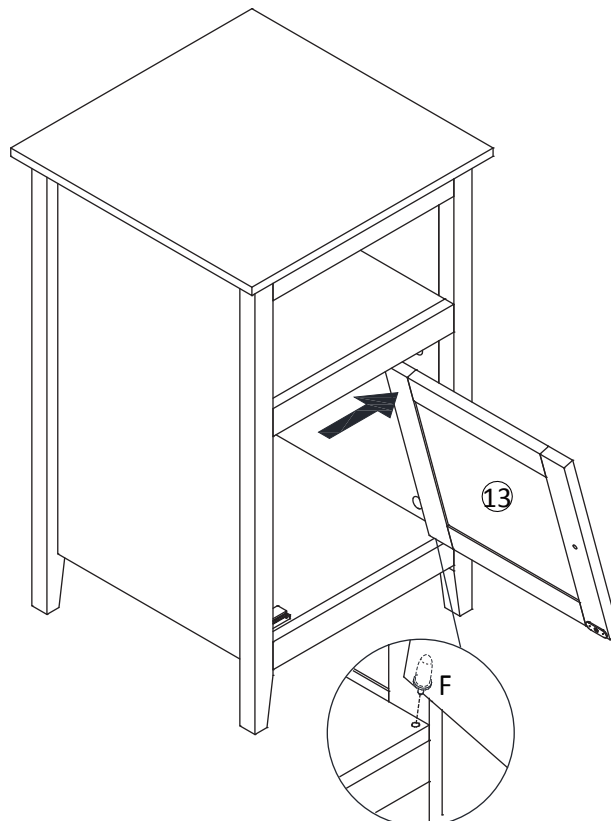
F X 2	
G X 1	
H X 1	
I X 1	
J X 1	

1. Insert door hinges (F) into door ⑬ as show.
2. Attach door plate (H) to door ⑬ with small screw (G).
3. Fasten door knob (J) to door ⑬ with knob screw (I).



Step 12

1. Attach door ⑬ to unit by using a slight angle.
First insert the bottom hinge and then press down on the top hinge, and slide the door until the top hinge locks into place.



Congratulations,
You have just completed the Design2Go End Table with Cabinet.
Enjoy!

