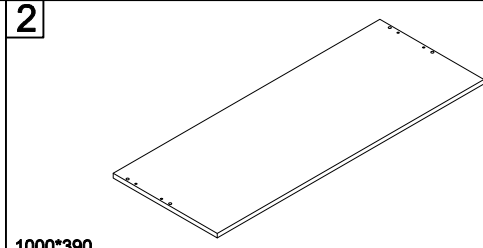
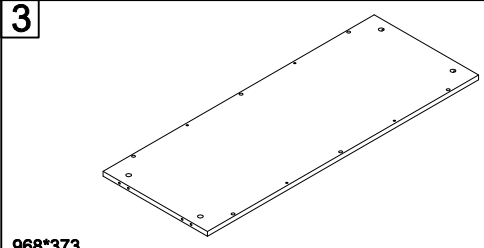


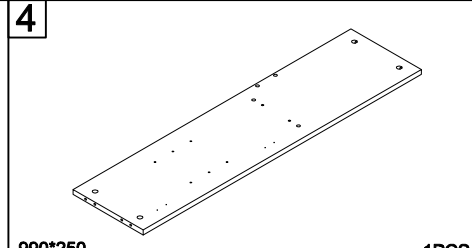
1 1000\*250 1PCS



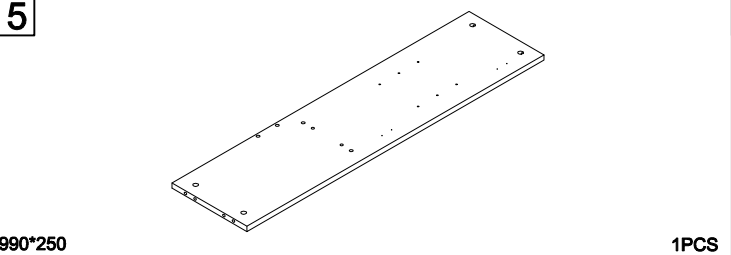
2 1000\*390 1PCS



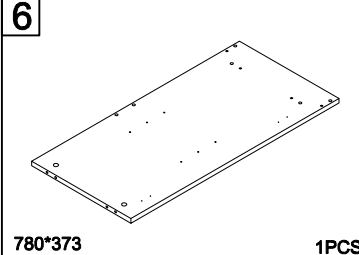
3 968\*373 1PCS



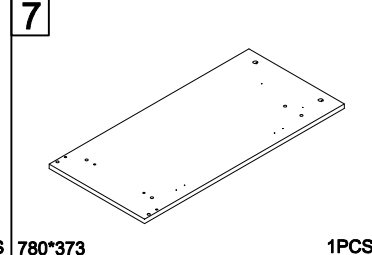
4 990\*250 1PCS



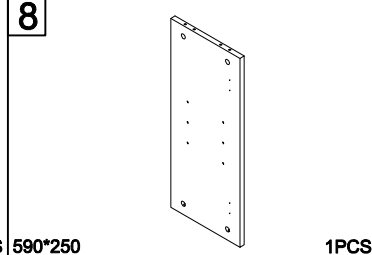
5 990\*250 1PCS



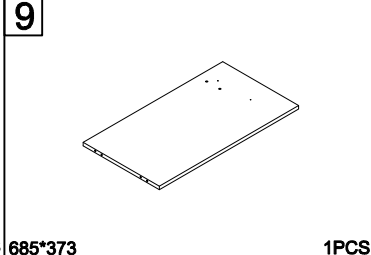
6 780\*373 1PCS



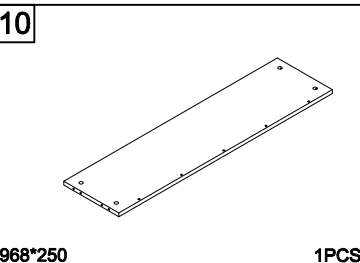
7 780\*373 1PCS



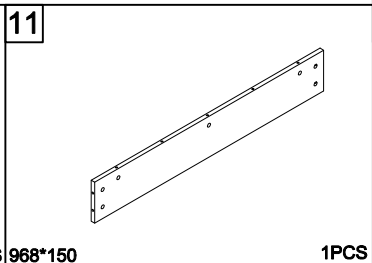
8 590\*250 1PCS



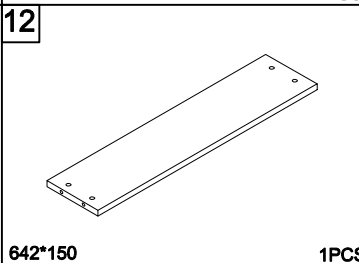
9 685\*373 1PCS



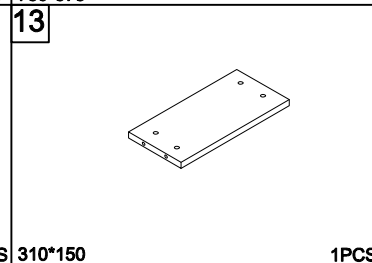
10 968\*250 1PCS



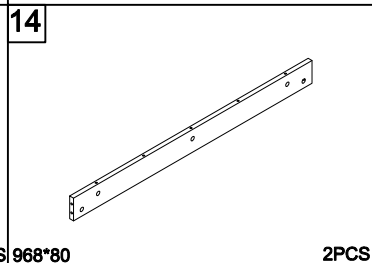
11 968\*150 1PCS



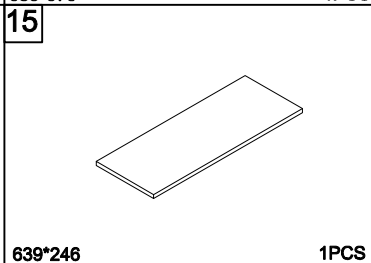
12 642\*150 1PCS



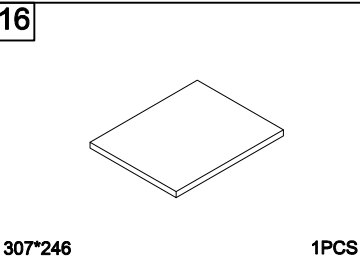
13 310\*150 1PCS



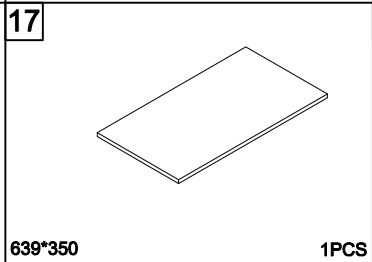
14 968\*80 2PCS



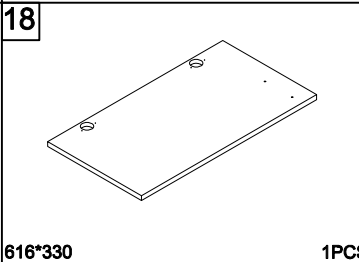
15 639\*246 1PCS



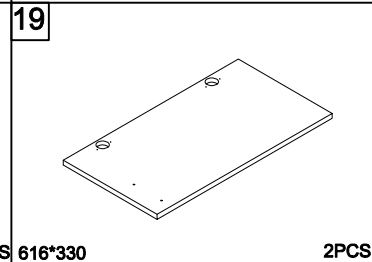
16 307\*246 1PCS



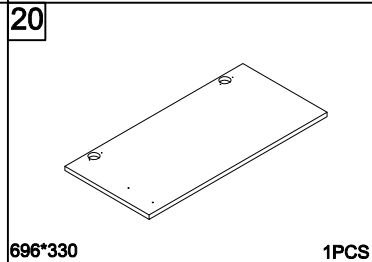
17 639\*350 1PCS



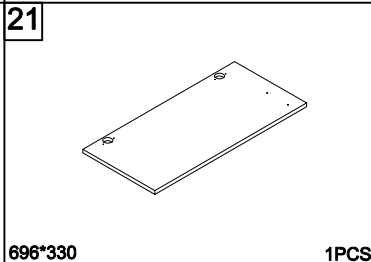
18 616\*330 1PCS



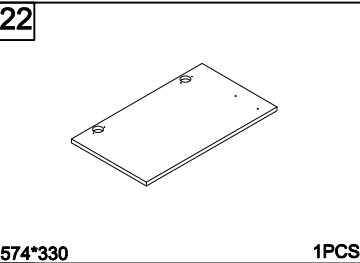
19 616\*330 2PCS



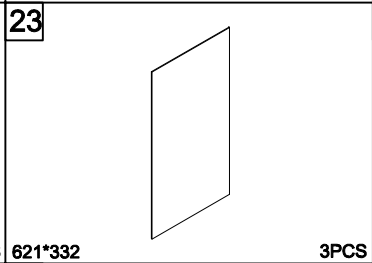
20 696\*330 1PCS



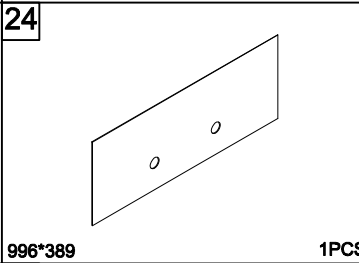
21 696\*330 1PCS



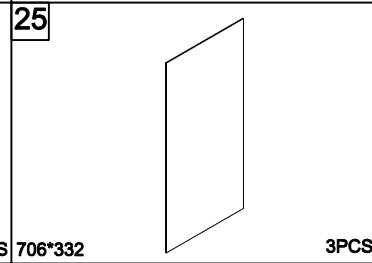
22 574\*330 1PCS



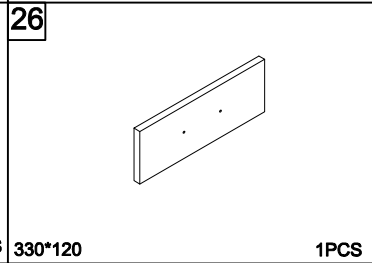
23 621\*332 3PCS



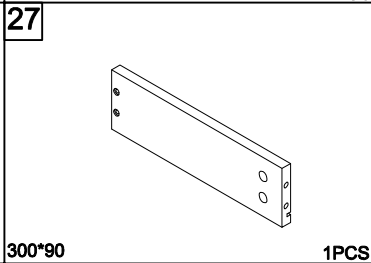
24 996\*389 1PCS



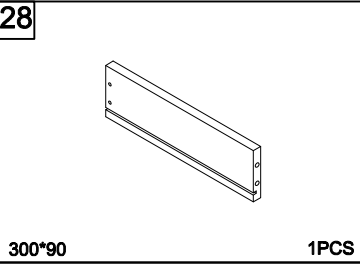
25 706\*332 3PCS



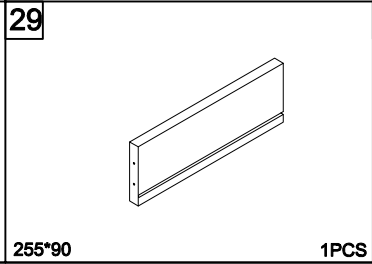
26 330\*120 1PCS



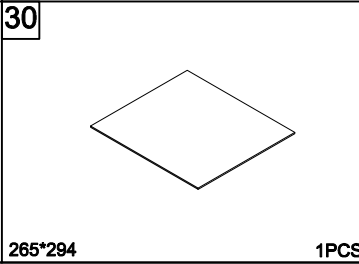
27 300\*90 1PCS



28 300\*90 1PCS



29 255\*90 1PCS



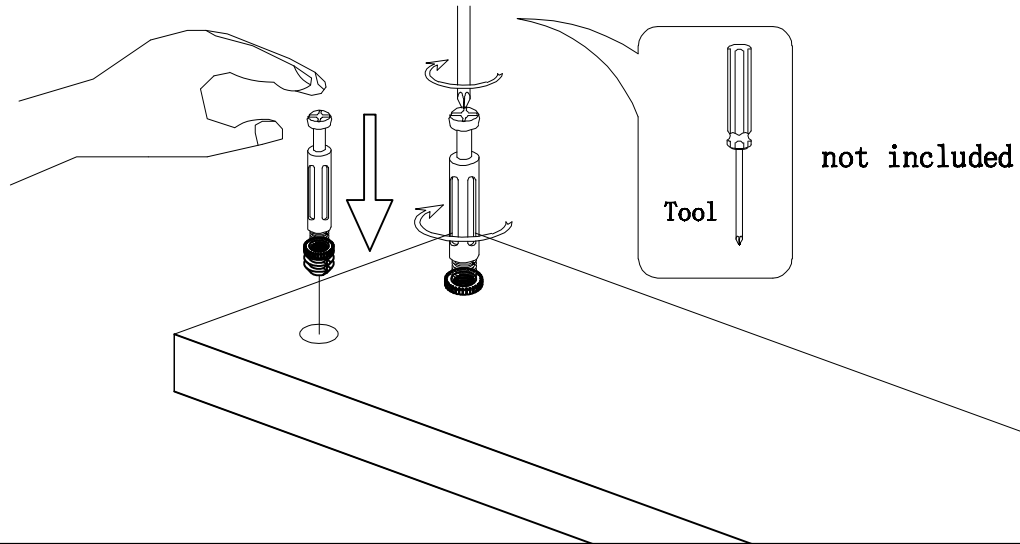
30 265\*294 1PCS



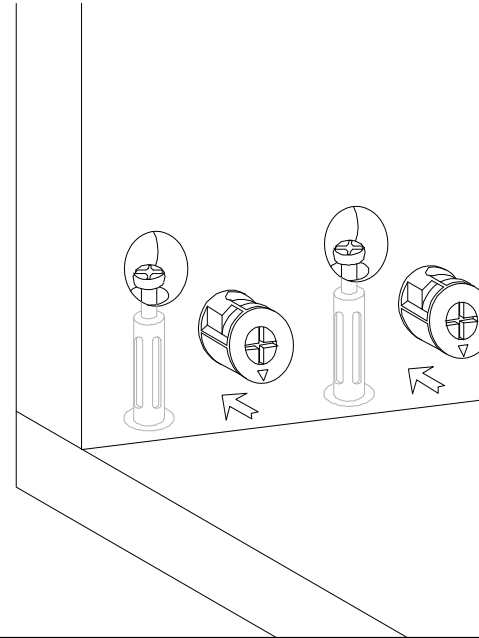
# Hardware installation demonstration

NOTE: Please make sure "A" hardware tightened and can't be pulled out!

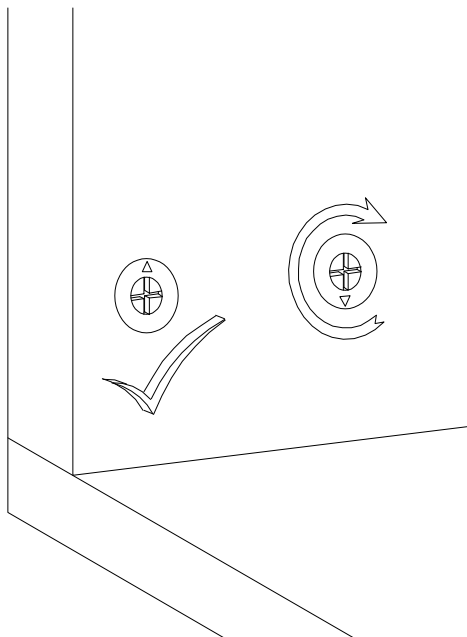
I



II

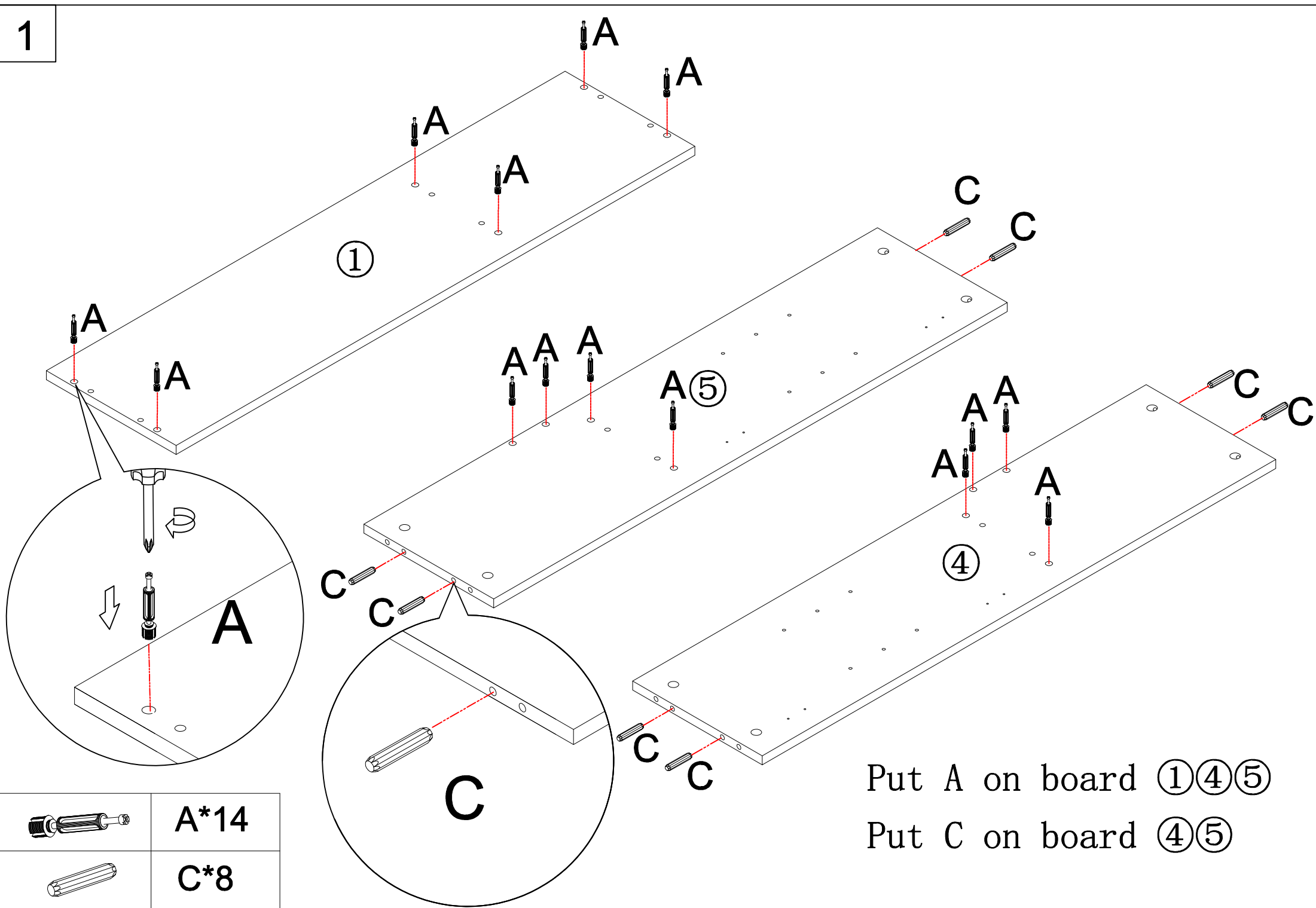


III



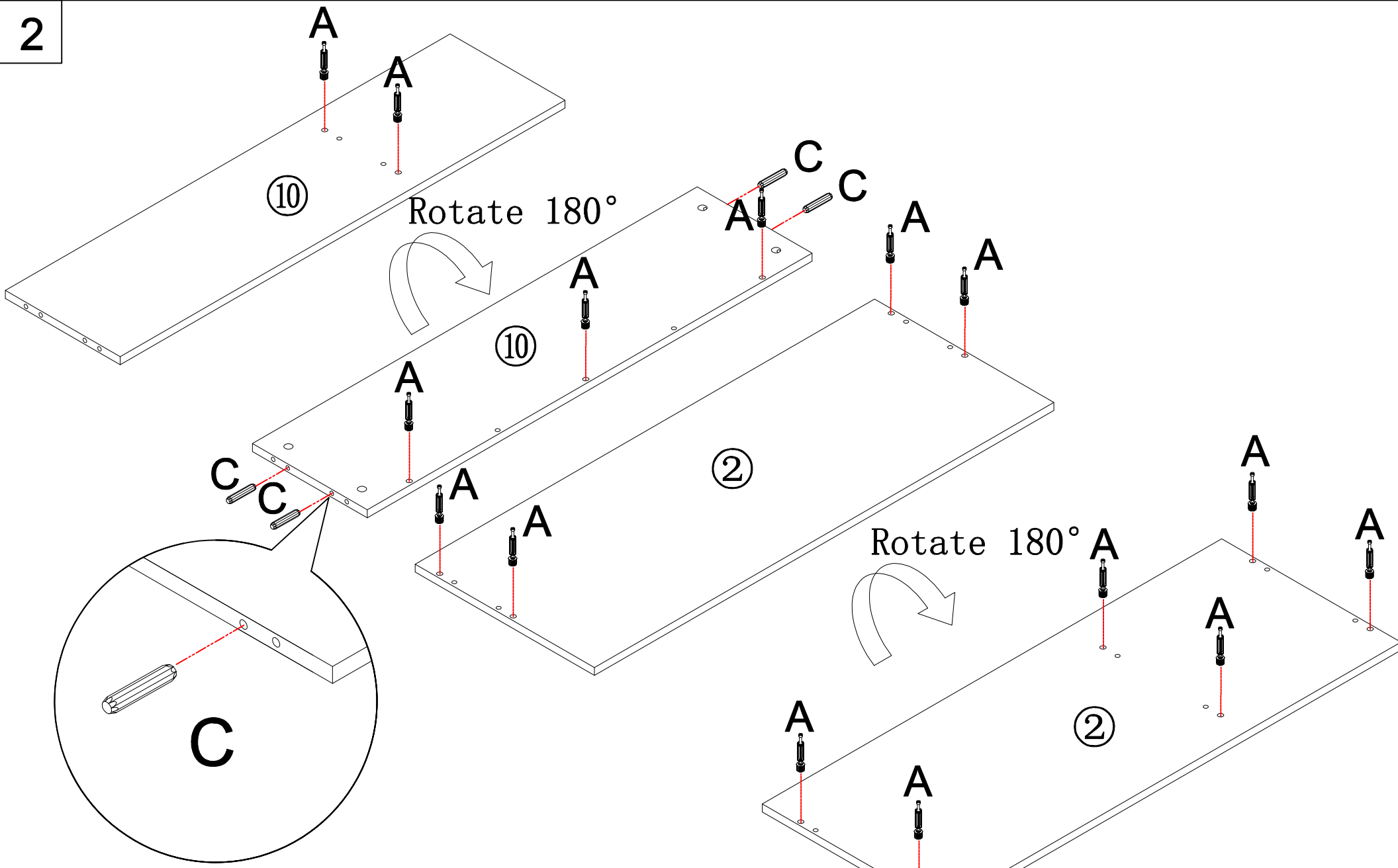
IV



1



Put A on board ①④⑤

Put C on board ④⑤

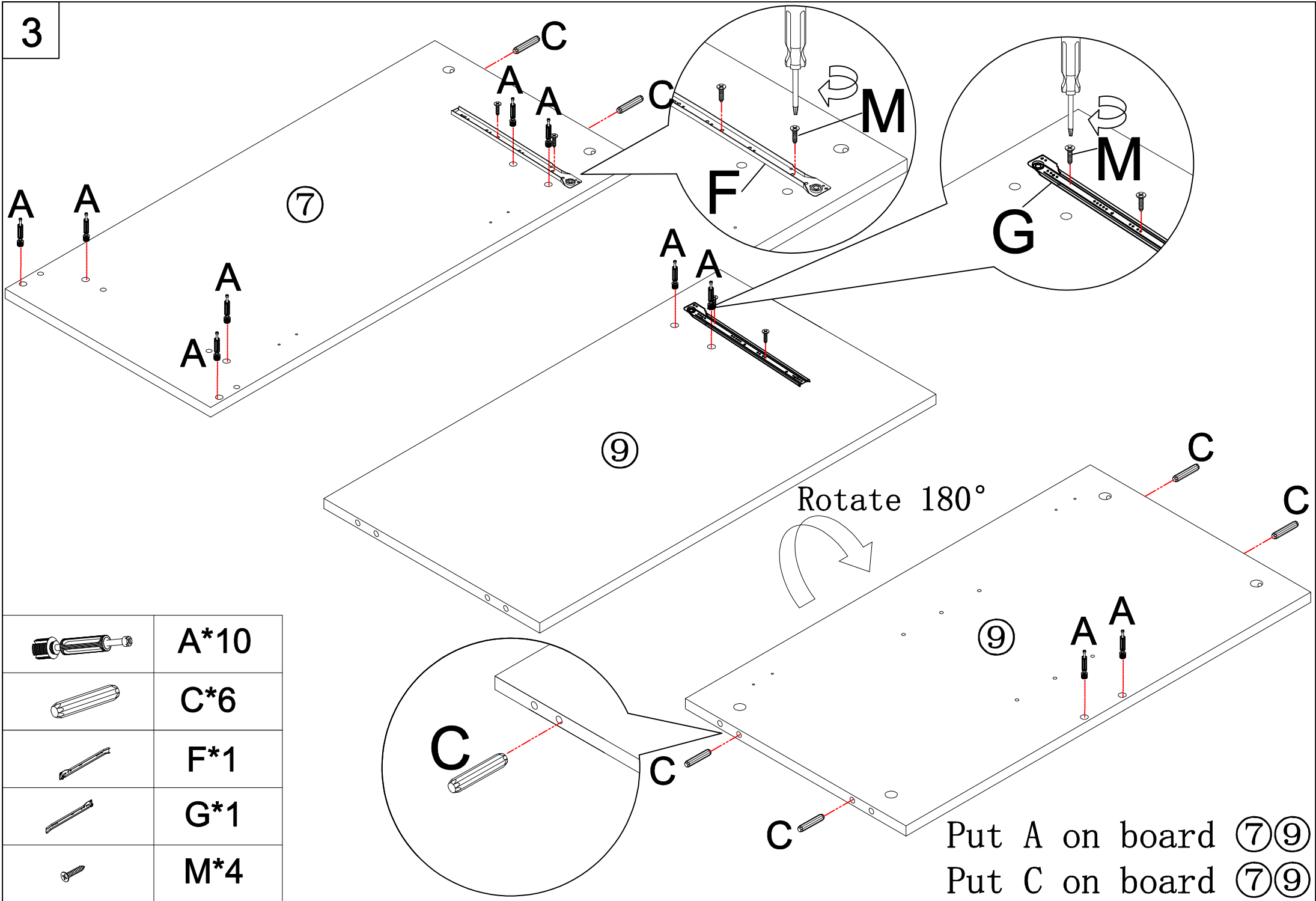


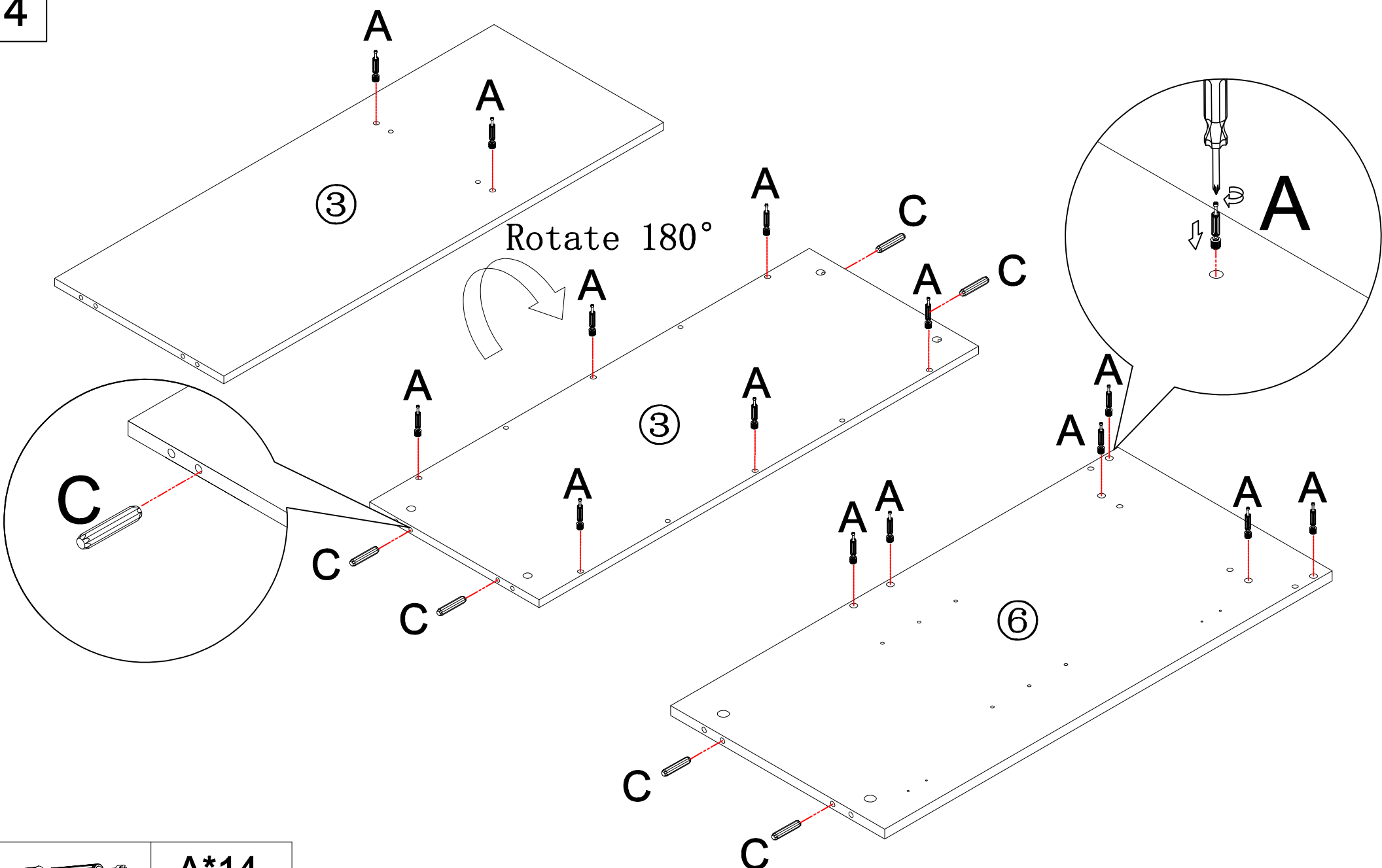
	A*15
	C*4



Put A on board ②⑩

Put C on board ⑩

3

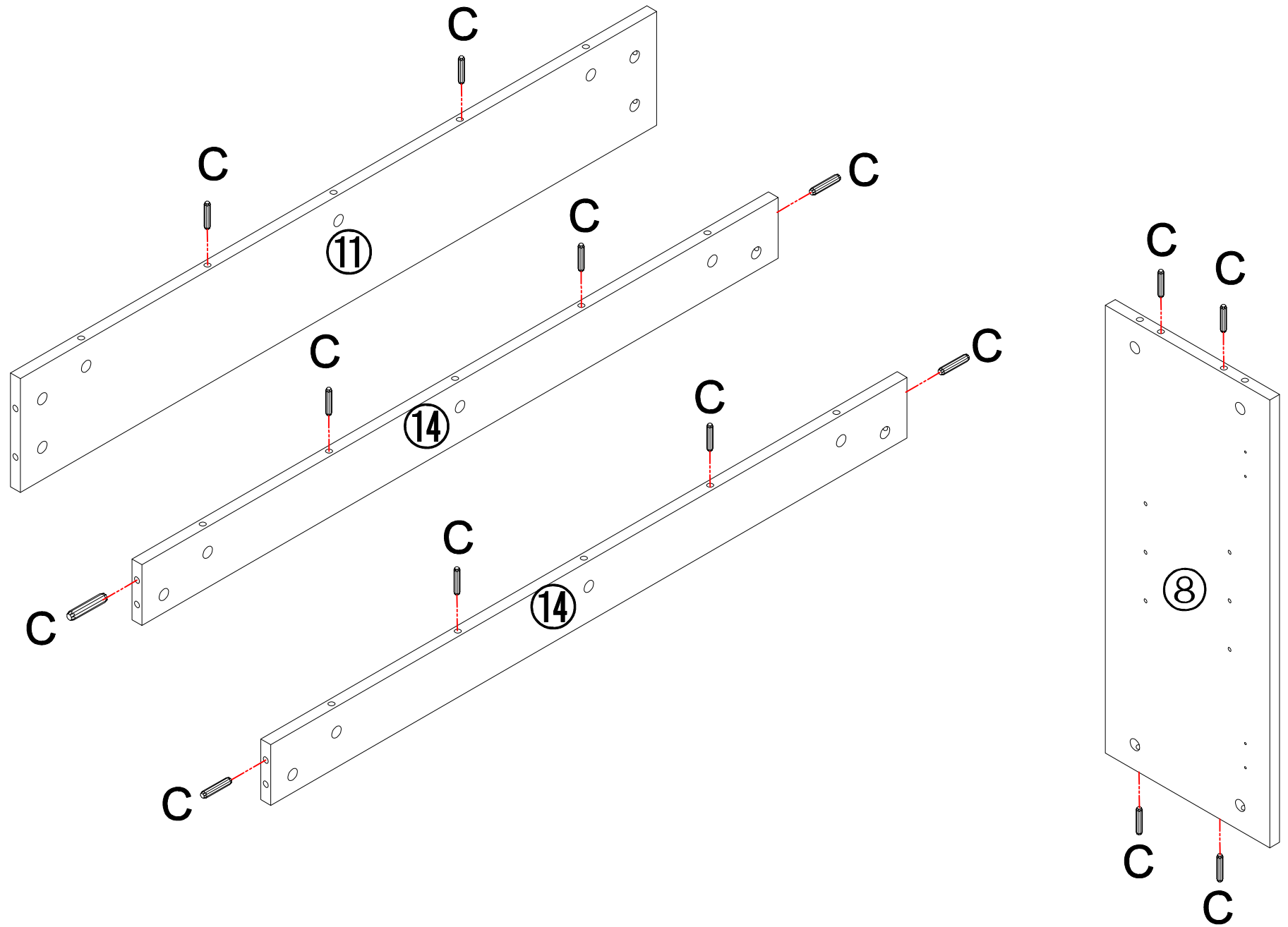




	A*14
	C*6

Put A on board ③⑥  
Put C on board ③⑥

5

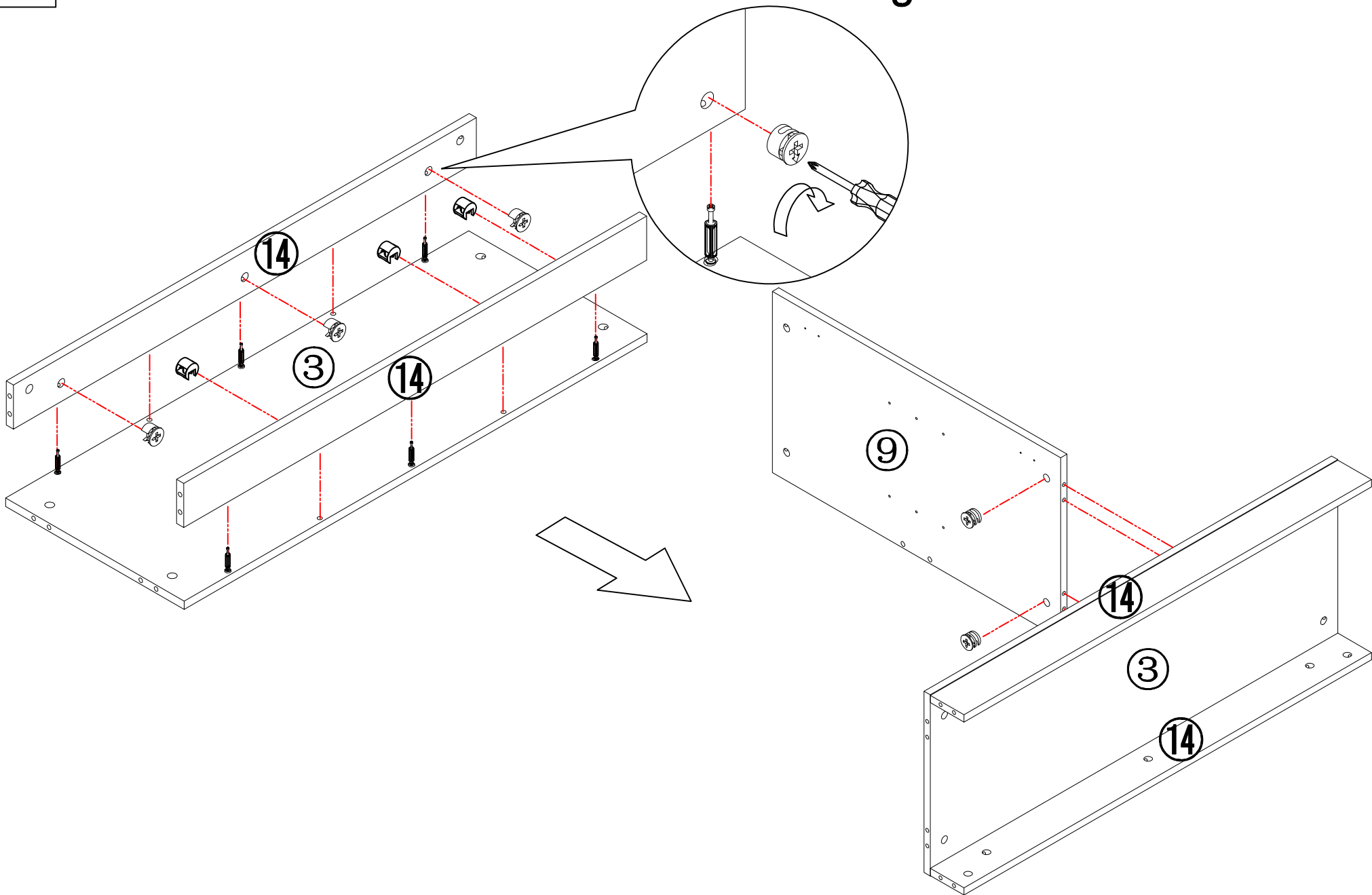


C\*14

Put C on board ⑧⑪⑭

6

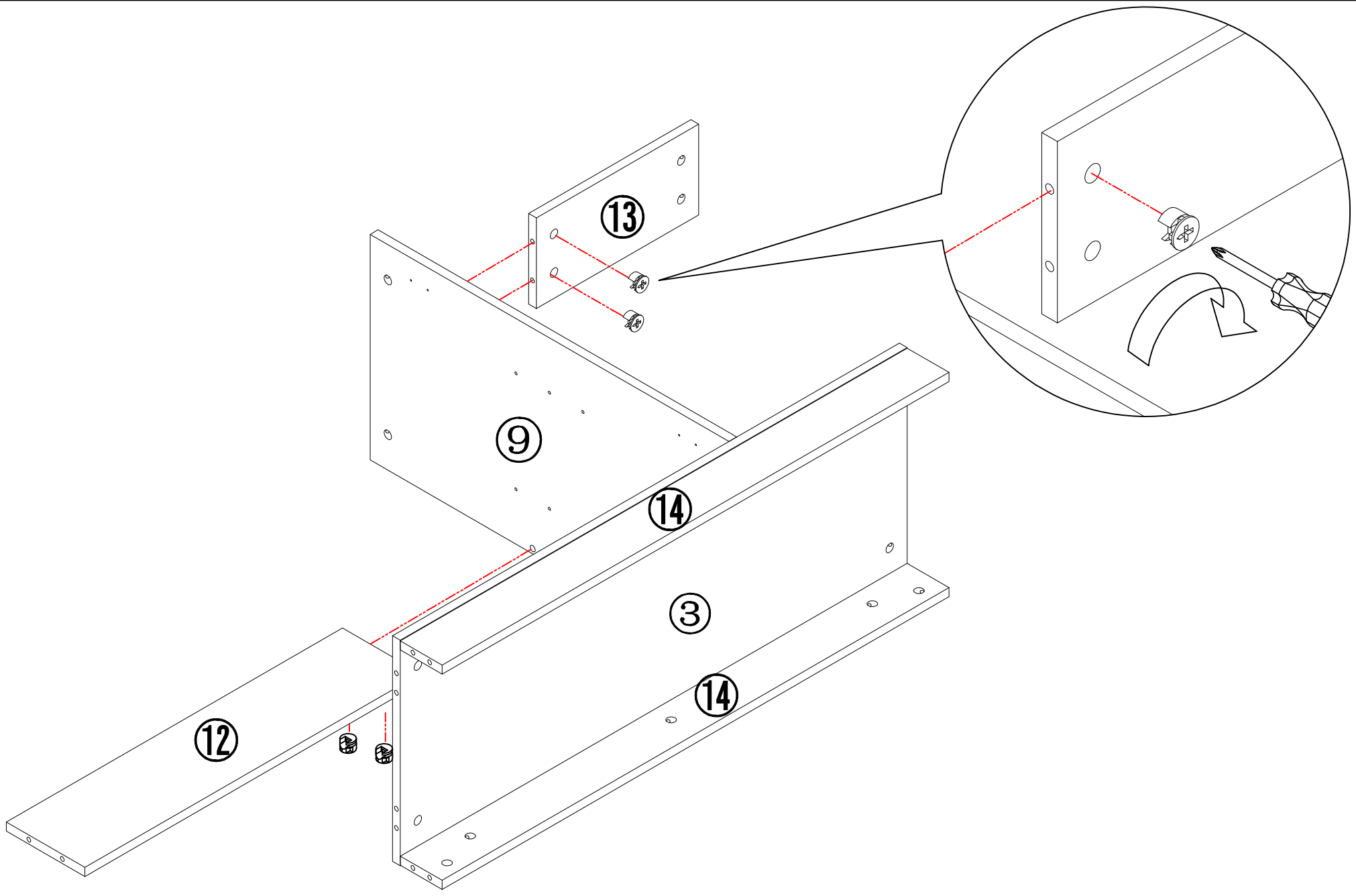
Make sure the arrow on the screw align to the hole on the side



B\*8

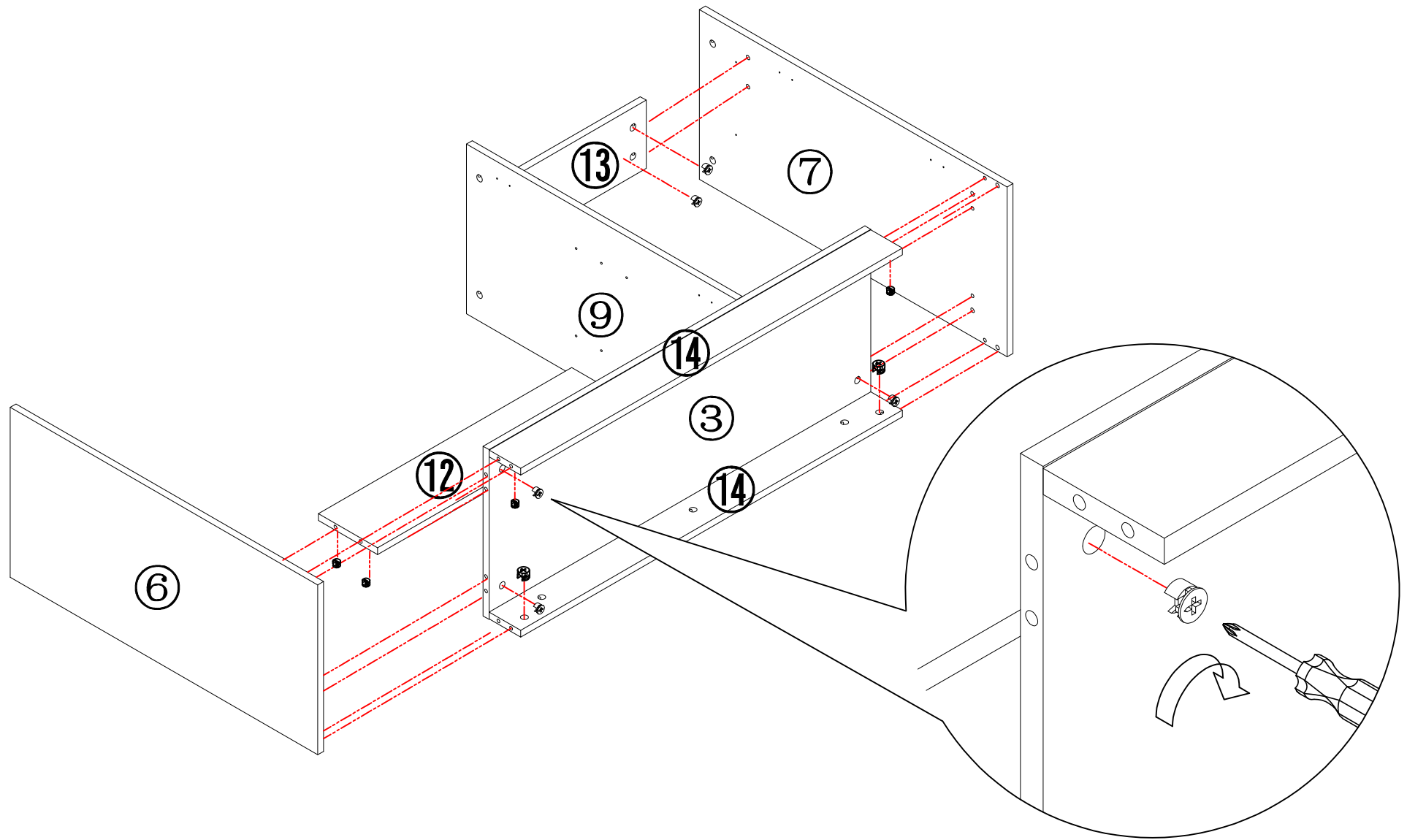
Put B on board 9 14

7



B\*4

Put B on board 12 13

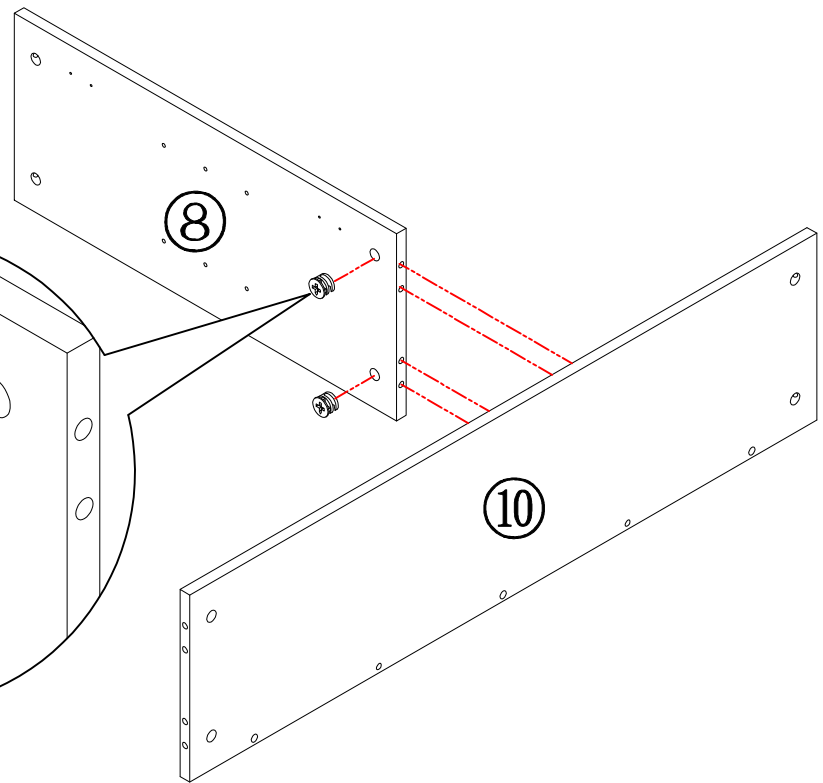
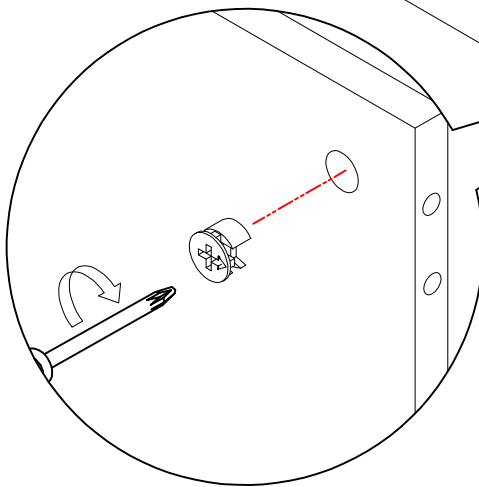
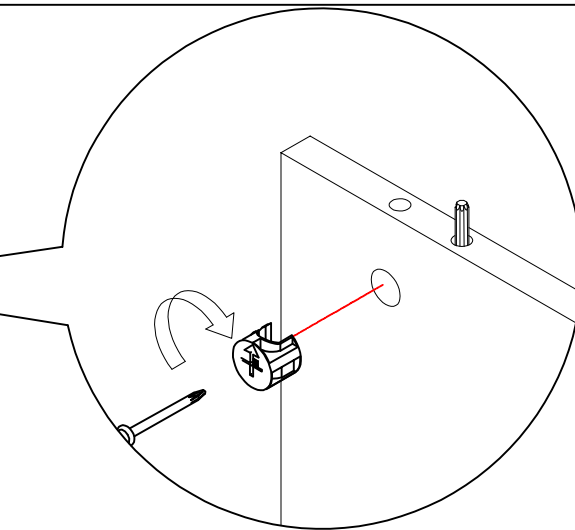
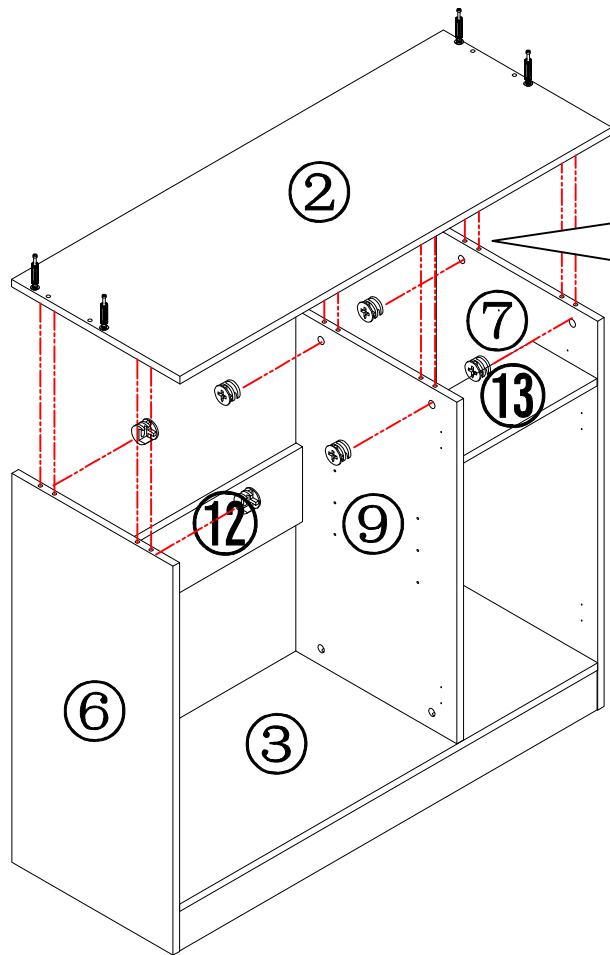


Put B on board ③⑫⑬⑭



B\*4

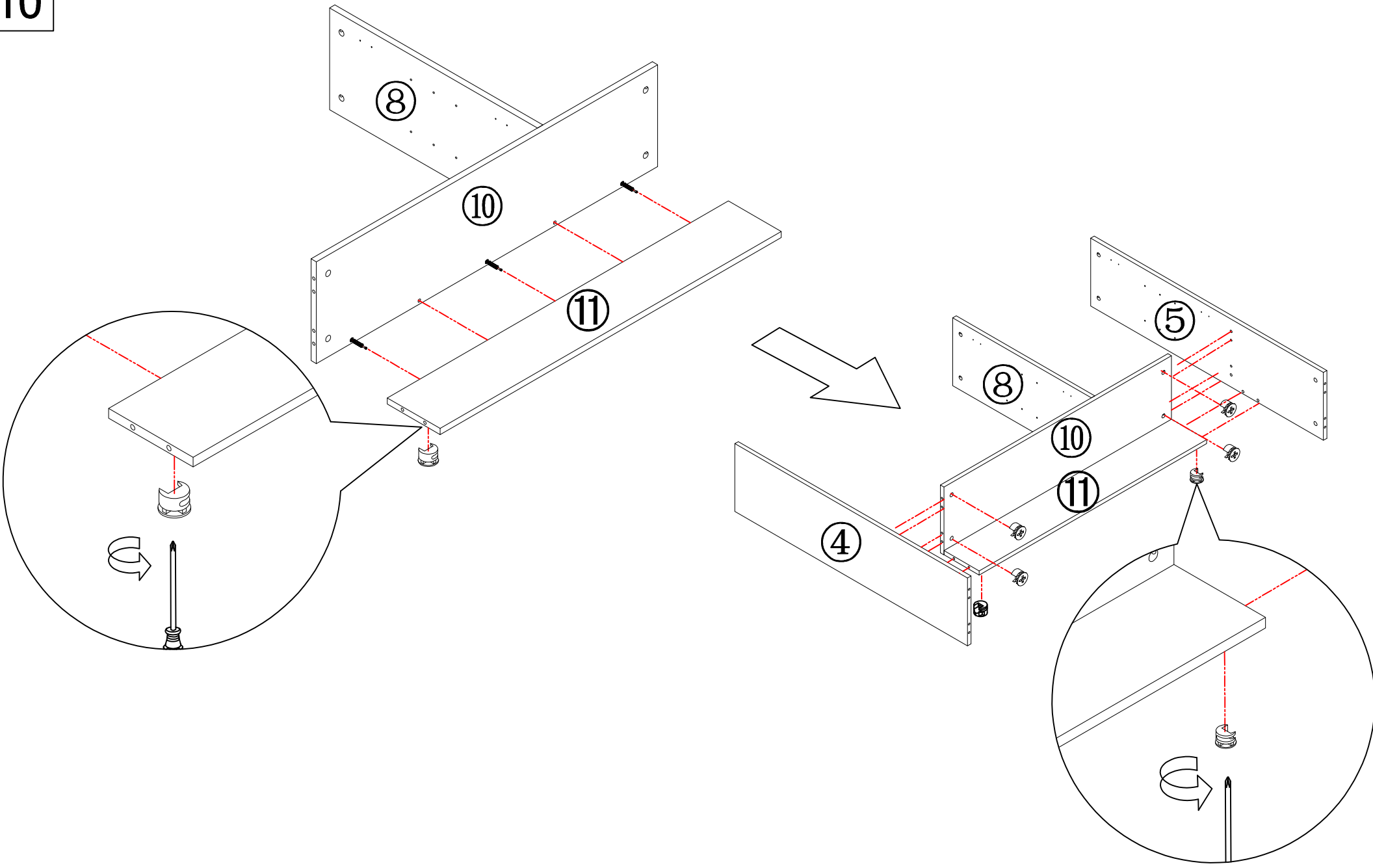
9



Put B on board ⑥⑦⑧⑨

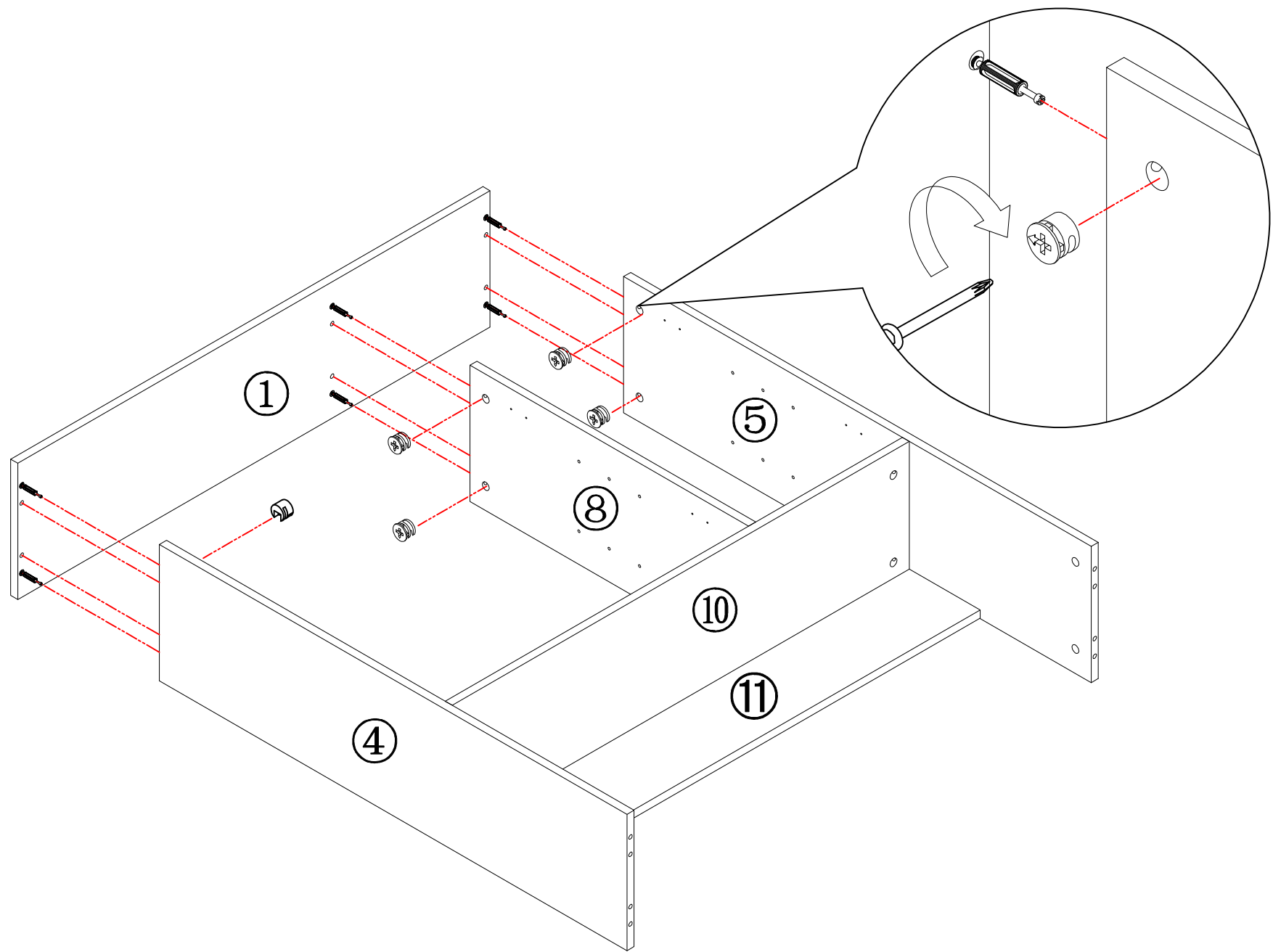


B\*8



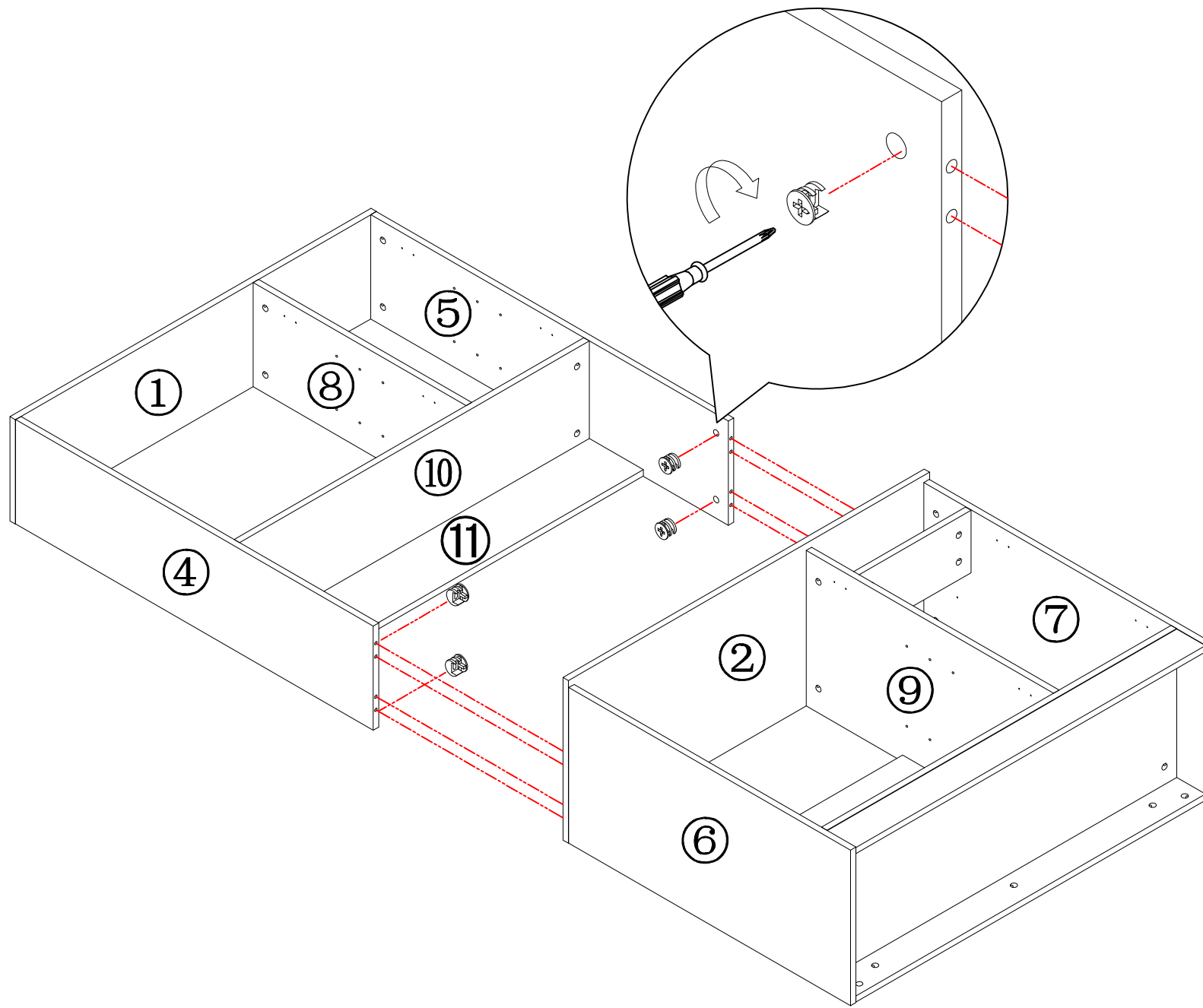
B\*9

Put B on board ⑩⑪



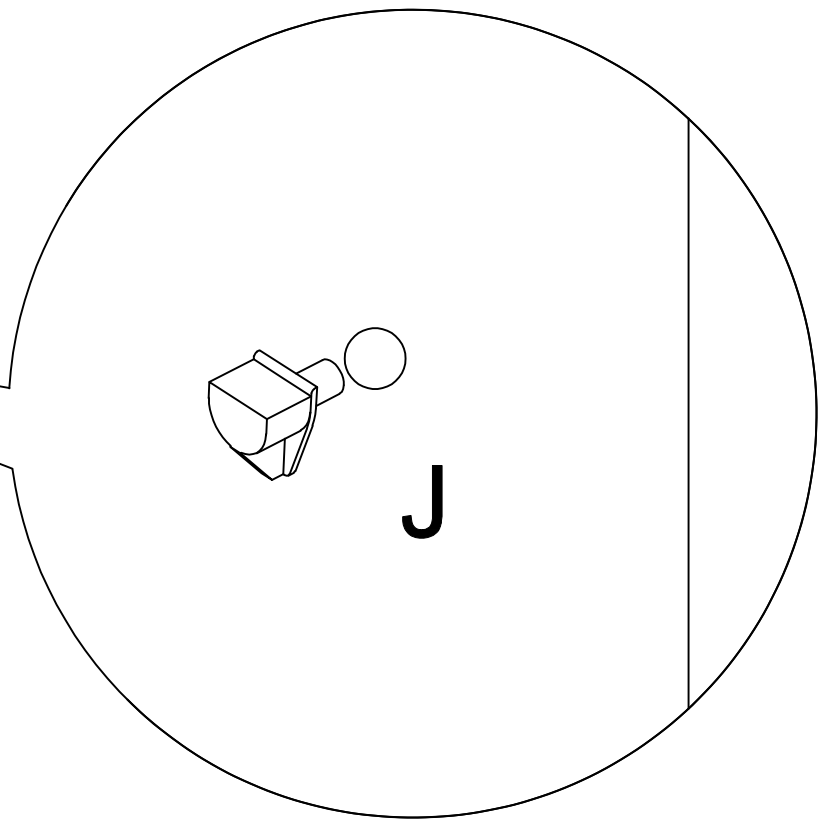
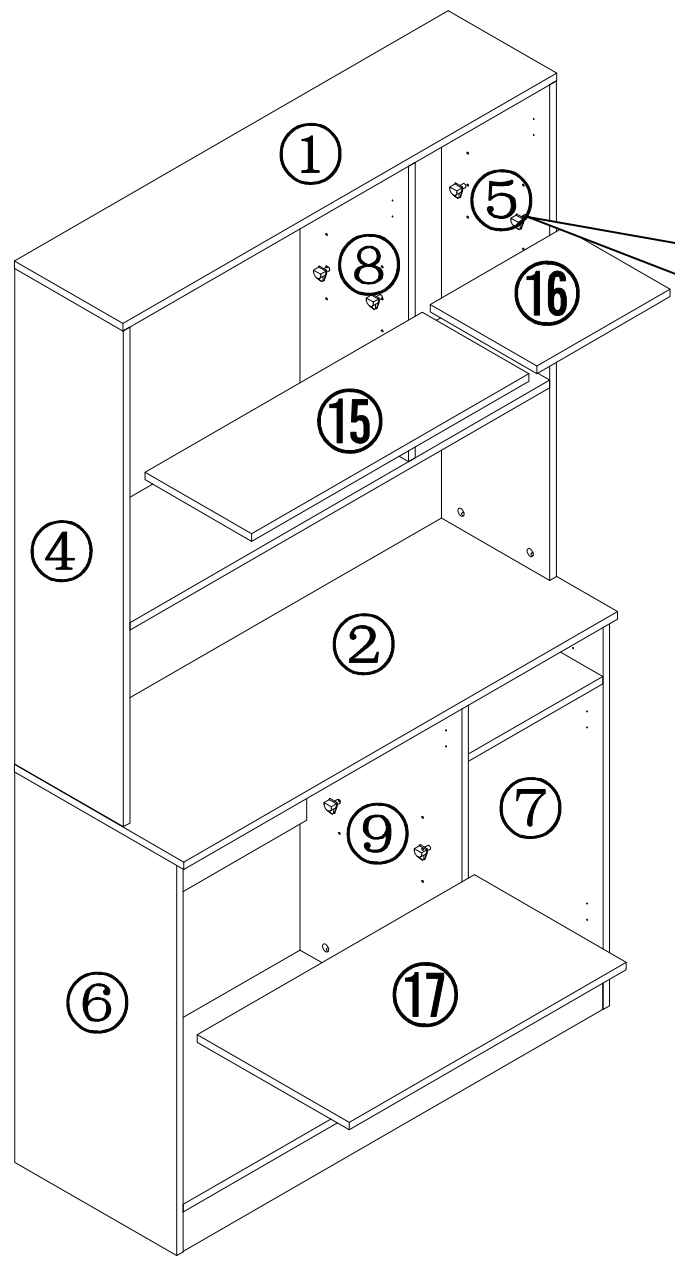
B\*6

Put B on board ④⑤⑧

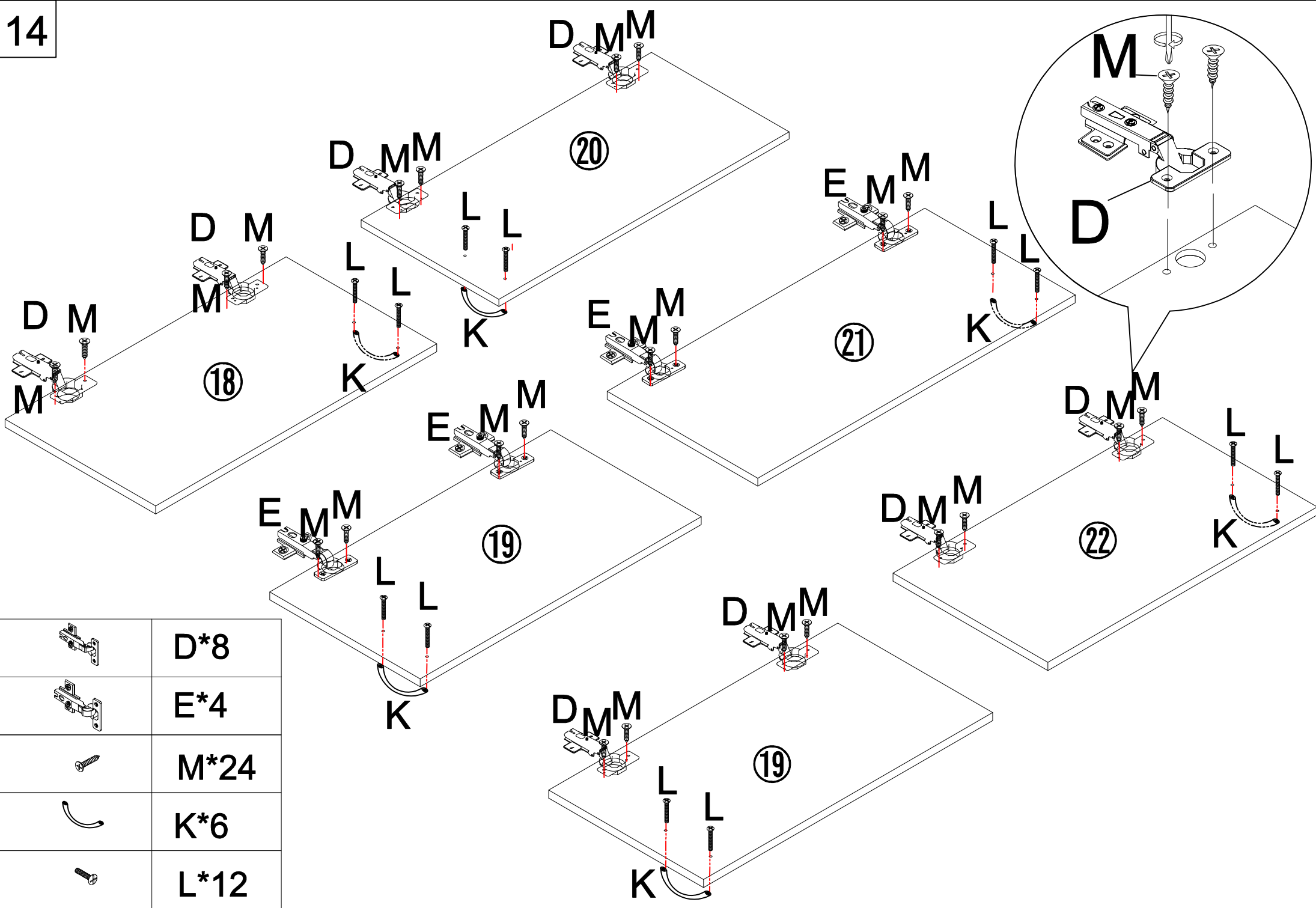


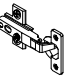
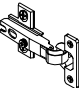



B\*4

Put B on board ④⑤

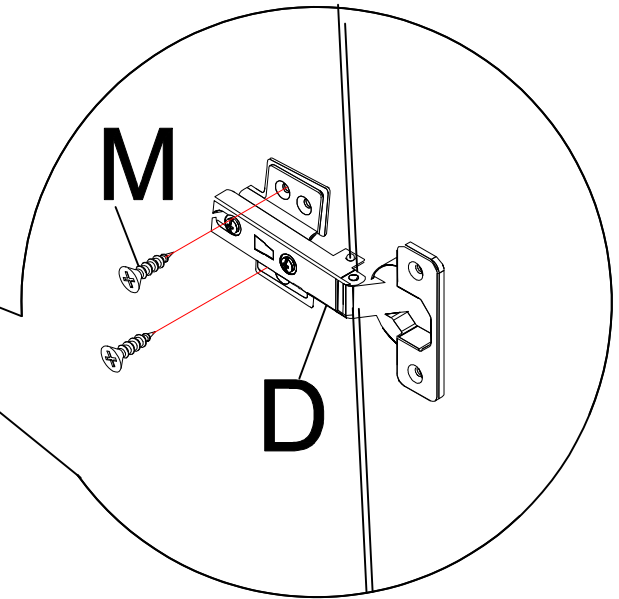
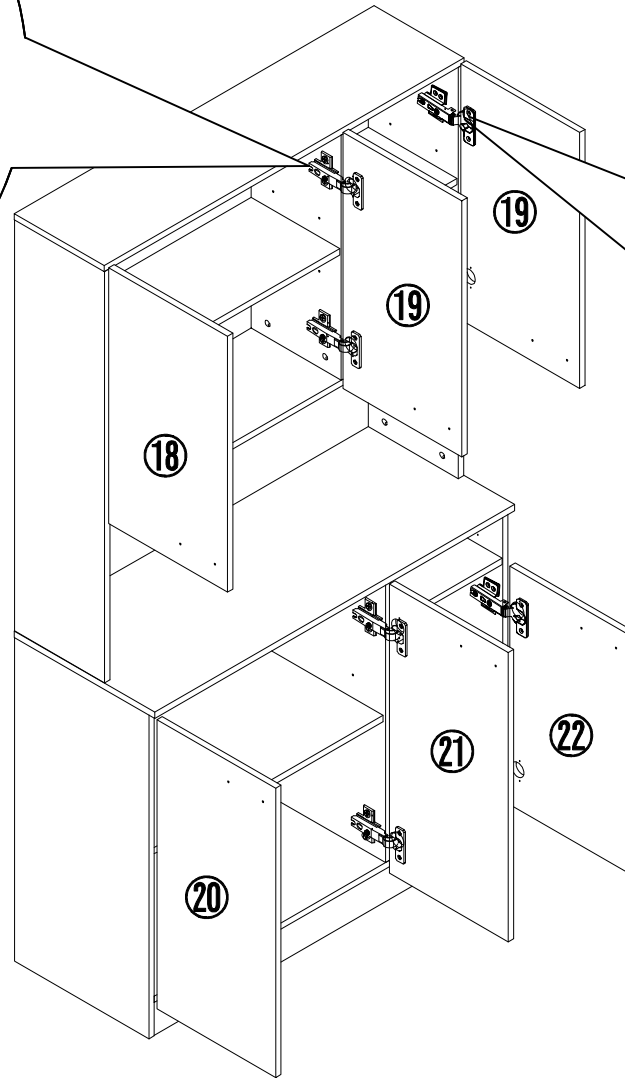
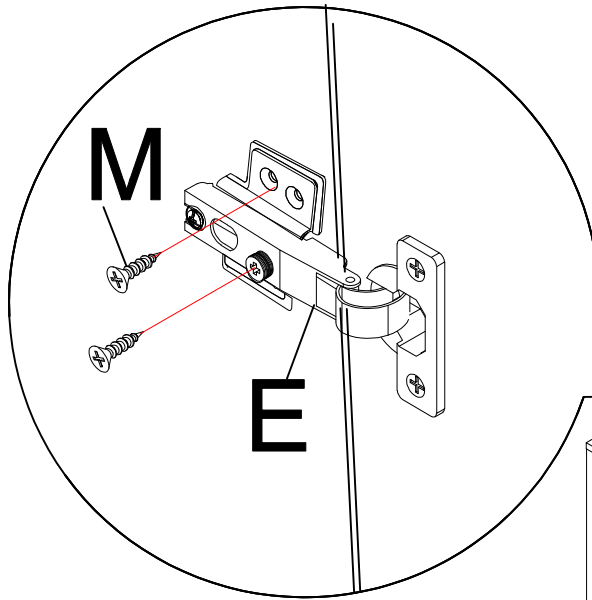


J\*12

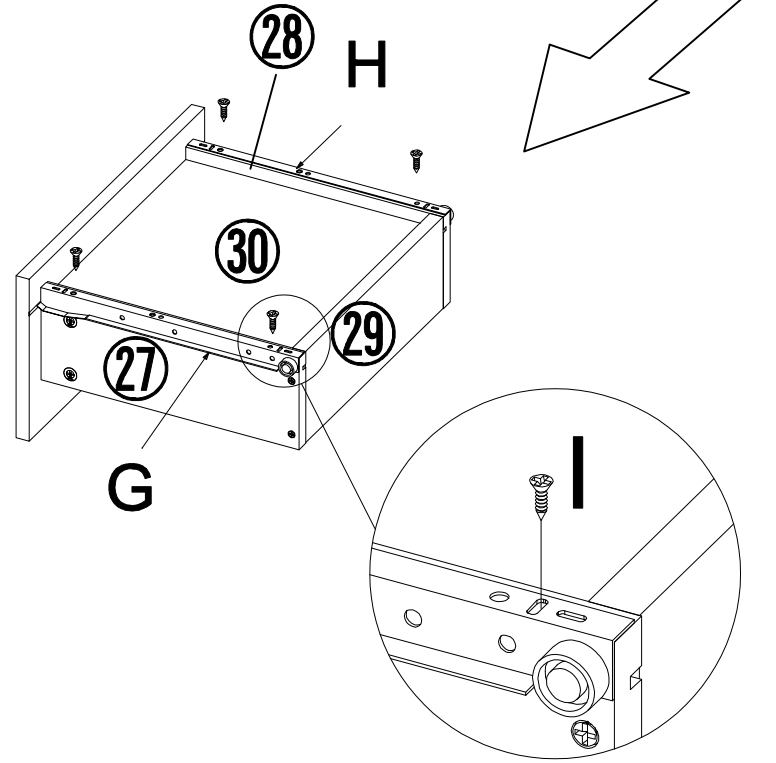
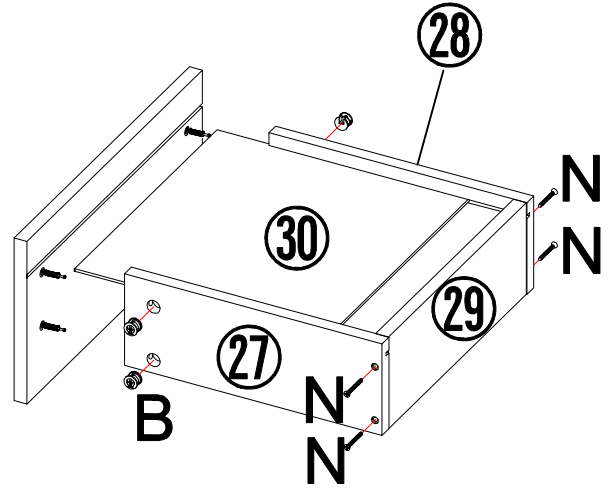
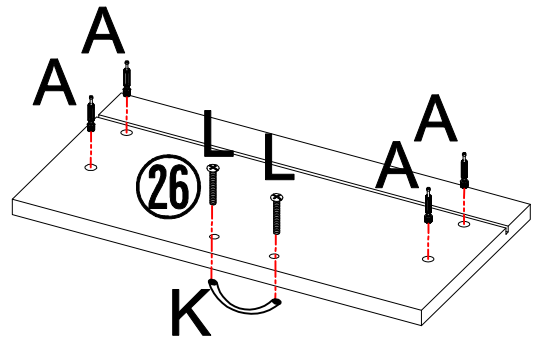




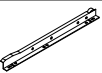
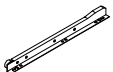




	D*8
	E*4
	M*24
	K*6
	L*12

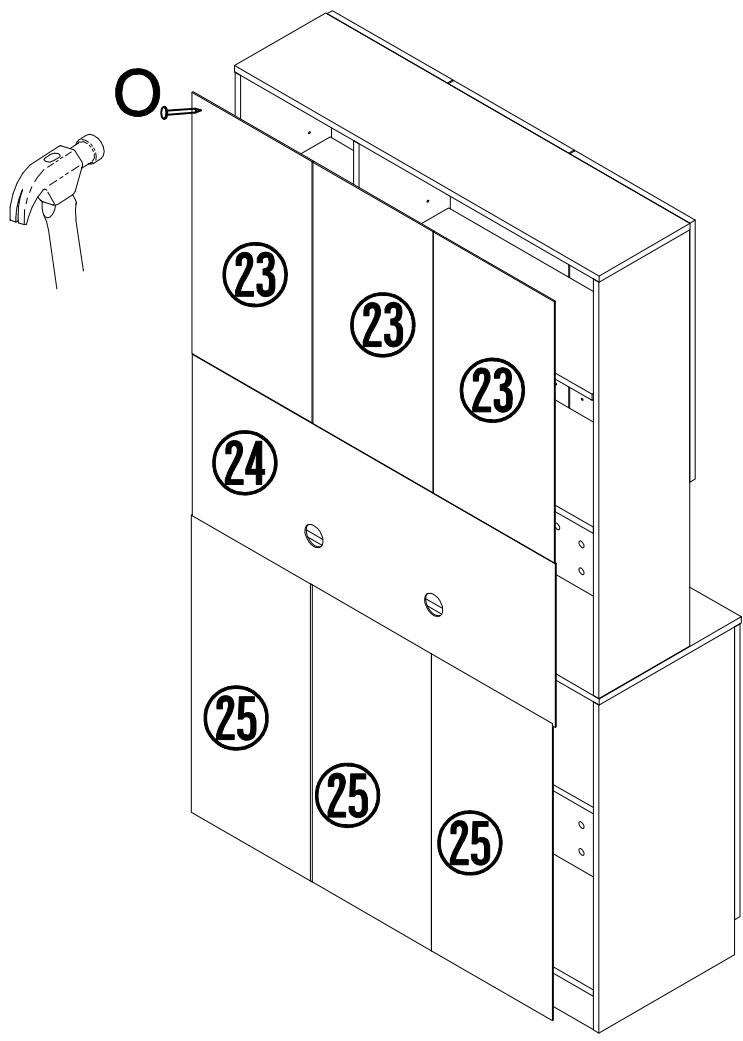
15



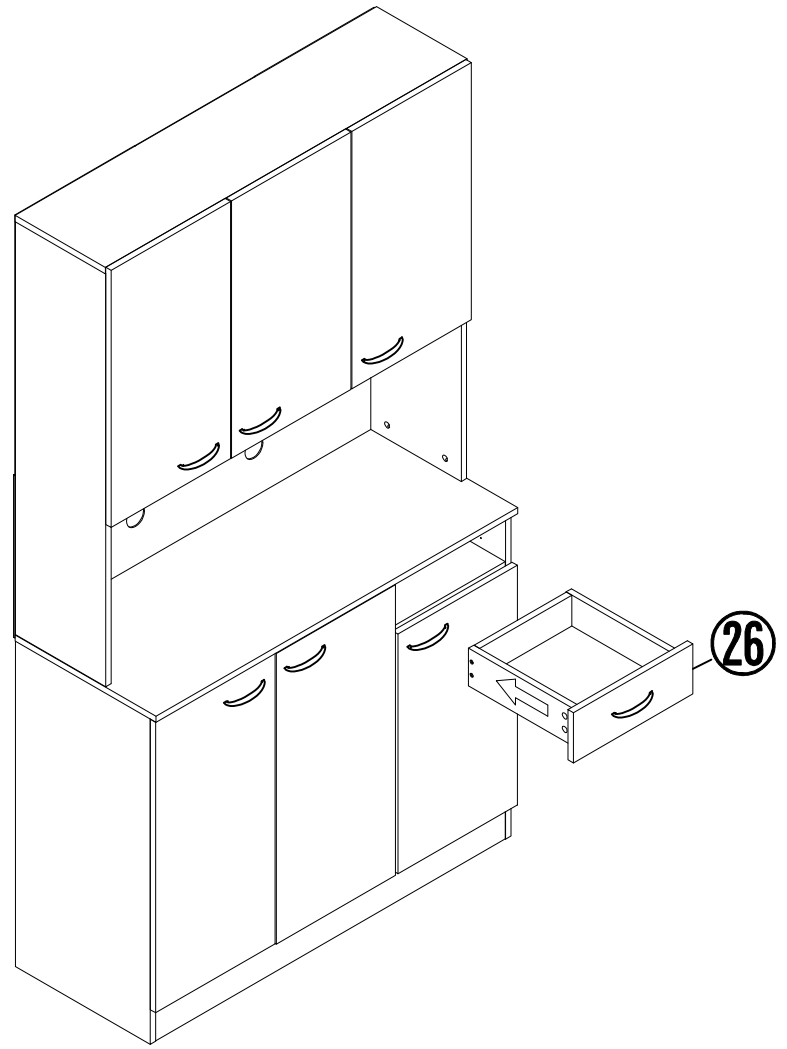
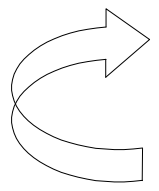
M\*48



	A*4
	B*4
	H*1
	I*1
	K*1
	L*2
	M*4
	N*4



Rotate 90°



O\*60

