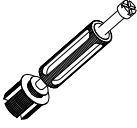
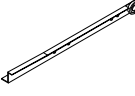

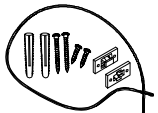

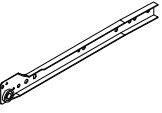

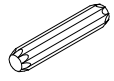
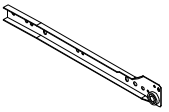
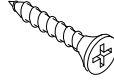

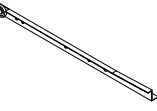
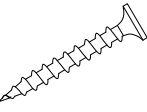
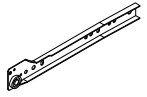
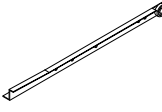
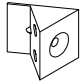
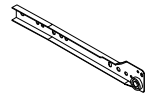
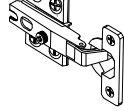

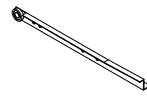
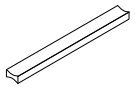
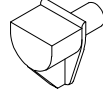
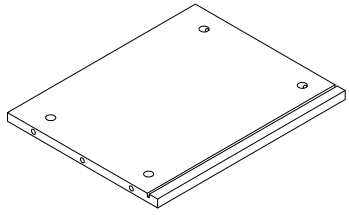


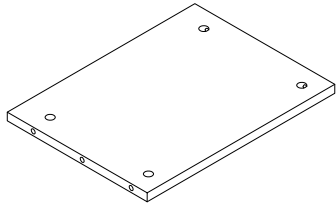
<b>A</b>  40PCS	<b>H</b> 250MM  1PCS	<b>O</b> 4*18  8PCS	<b>V</b>  2PCS
<b>B</b>  40PCS	<b>I</b> 300MM  1PCS	<b>P</b> 3*12  24PCS	
<b>C</b> 8*40  14PCS	<b>J</b> 300MM  1PCS	<b>Q</b> 3.5*14  40PCS	
<b>D</b> 7*50  4PCS	<b>K</b> 300MM  1PCS	<b>R</b> 3.5*35  8PCS	
<b>E</b> 250MM  1PCS	<b>L</b> 300MM  1PCS	<b>S</b>  24PCS	
<b>F</b> 250MM  1PCS	<b>M</b>  4PCS	<b>T</b> $\phi$ 60  3PCS	
<b>G</b> 250MM  1PCS	<b>N</b> 96MM  4PCS	<b>U</b>  4PCS	

1



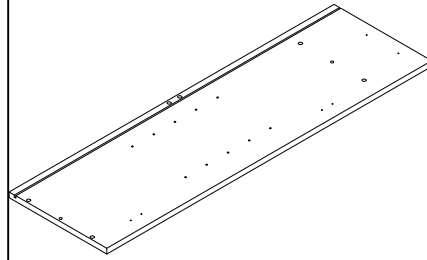
368\*294 1 PCS

2



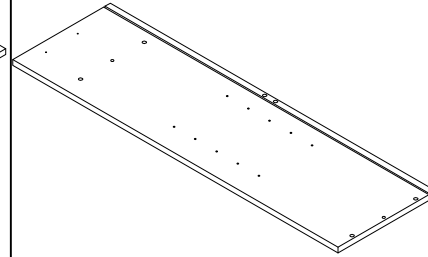
368\*274 1 PCS

3



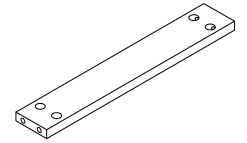
980\*294 1 PCS

4



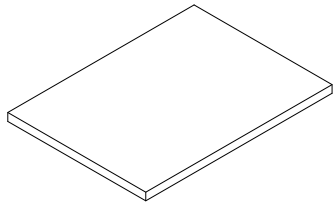
980\*294 1 PCS

5



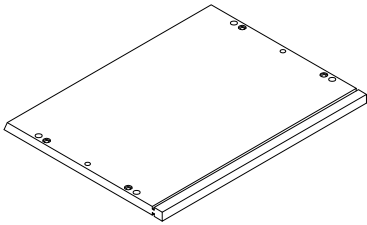
368\*60 2 PCS

6



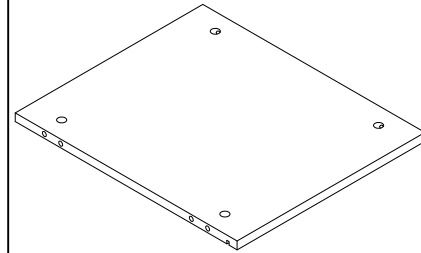
365\*270 1 PCS

7



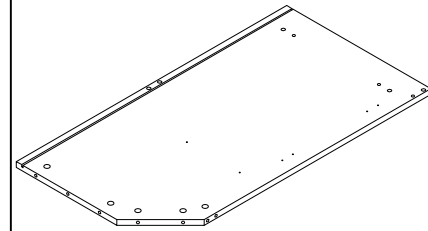
400\*310 1 PCS

8



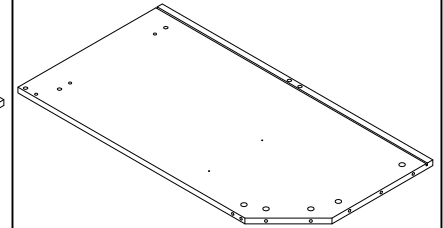
368\*435 1 PCS

9



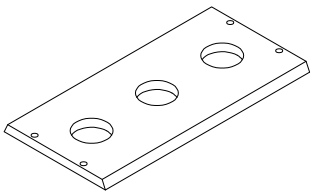
815\*435 1 PCS

10



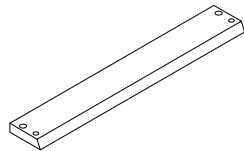
815\*435 1 PCS

11



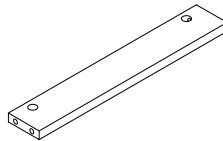
400\*198 1 PCS

12



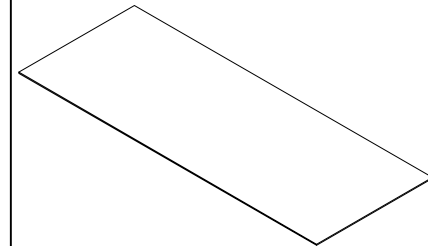
400\*60 1 PCS

13



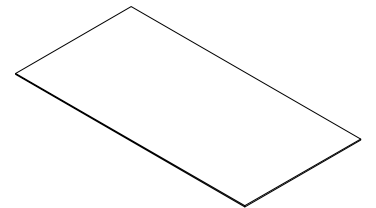
368\*60 1 PCS

14



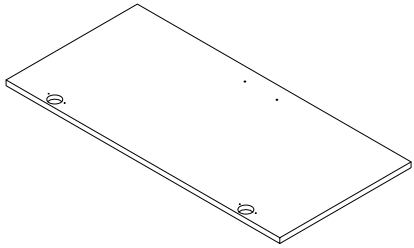
973\*378 1 PCS

15



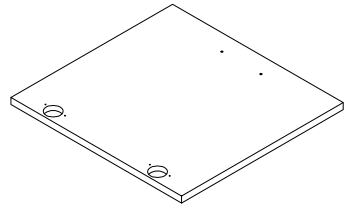
749\*378 1 PCS

16



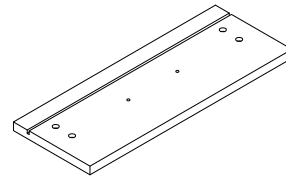
825\*396 1 PCS

17



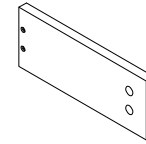
418\*396 1 PCS

18



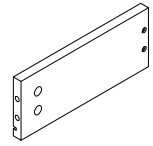
396\*150 2 PCS

19



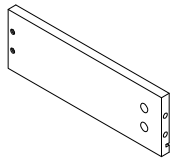
250\*100 1 PCS

20



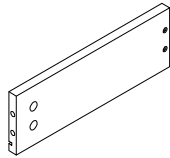
250\*100 1 PCS

21



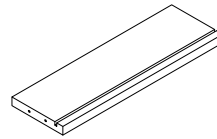
300\*100 1 PCS

22



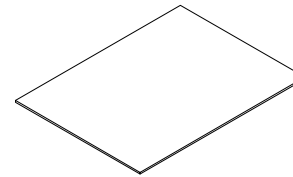
300\*100 1 PCS

23



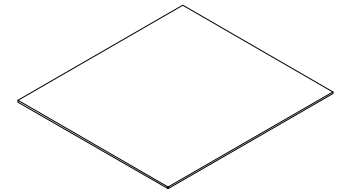
313\*100 2 PCS

24



323\*244 1 PCS

25



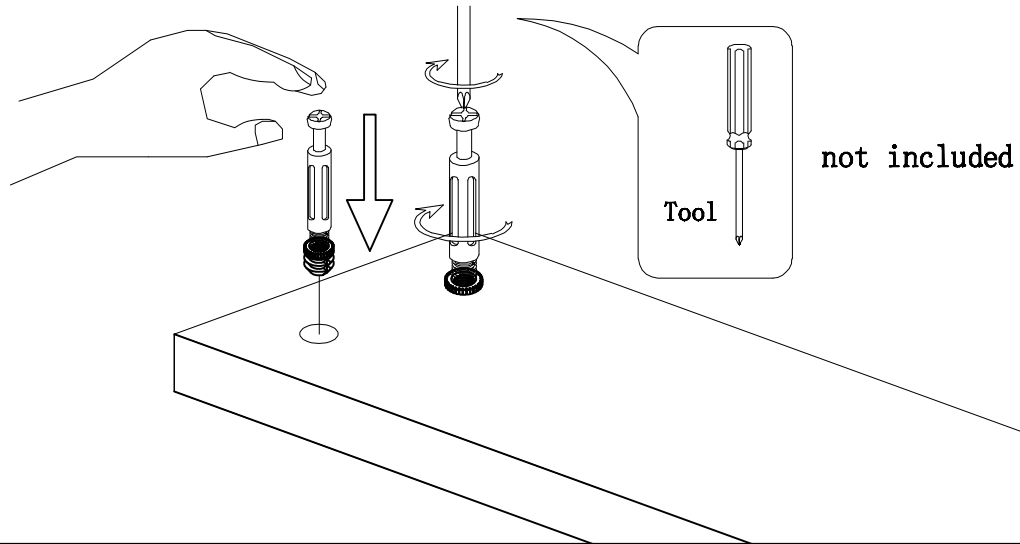
323\*294 1 PCS



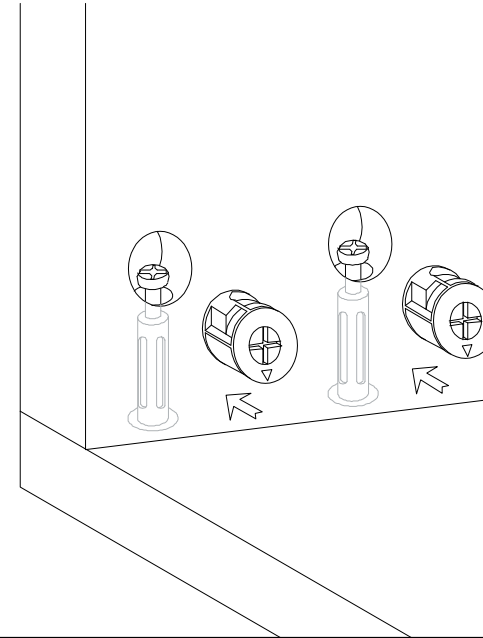
# Hardware installation demonstration

NOTE: Please make sure "A" hardware tightened and can't be pulled out!

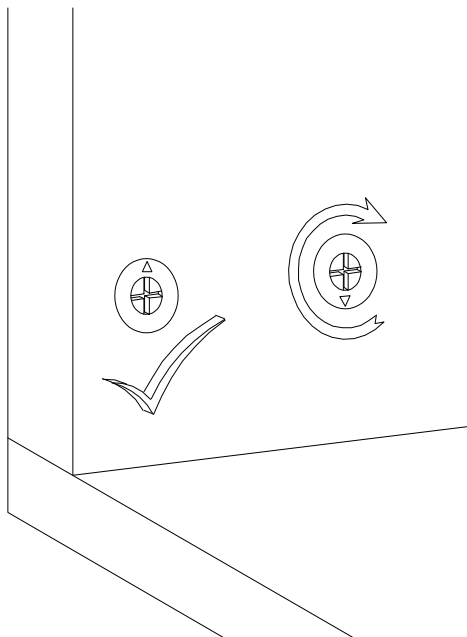
I



II

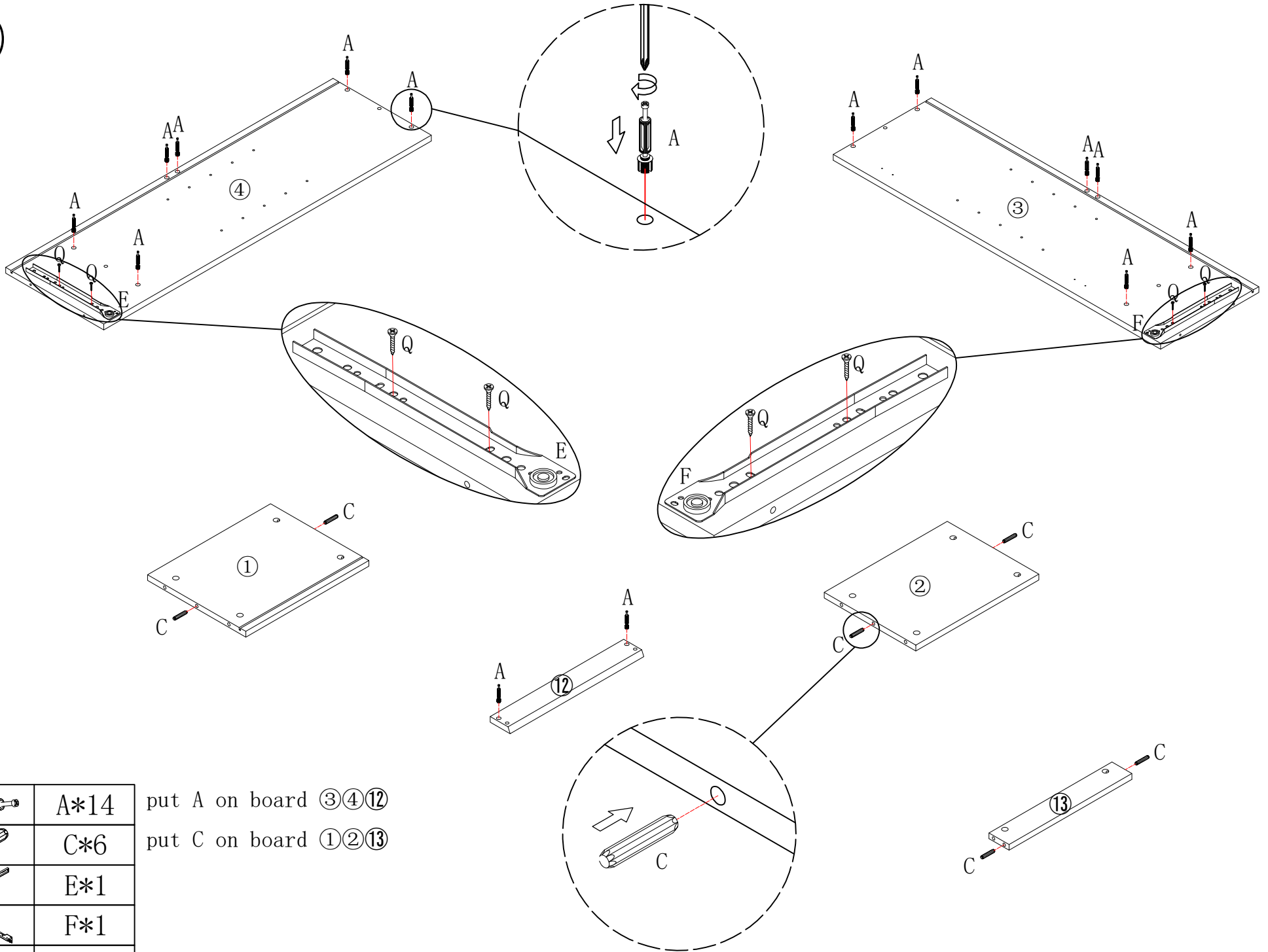







III



IV

①

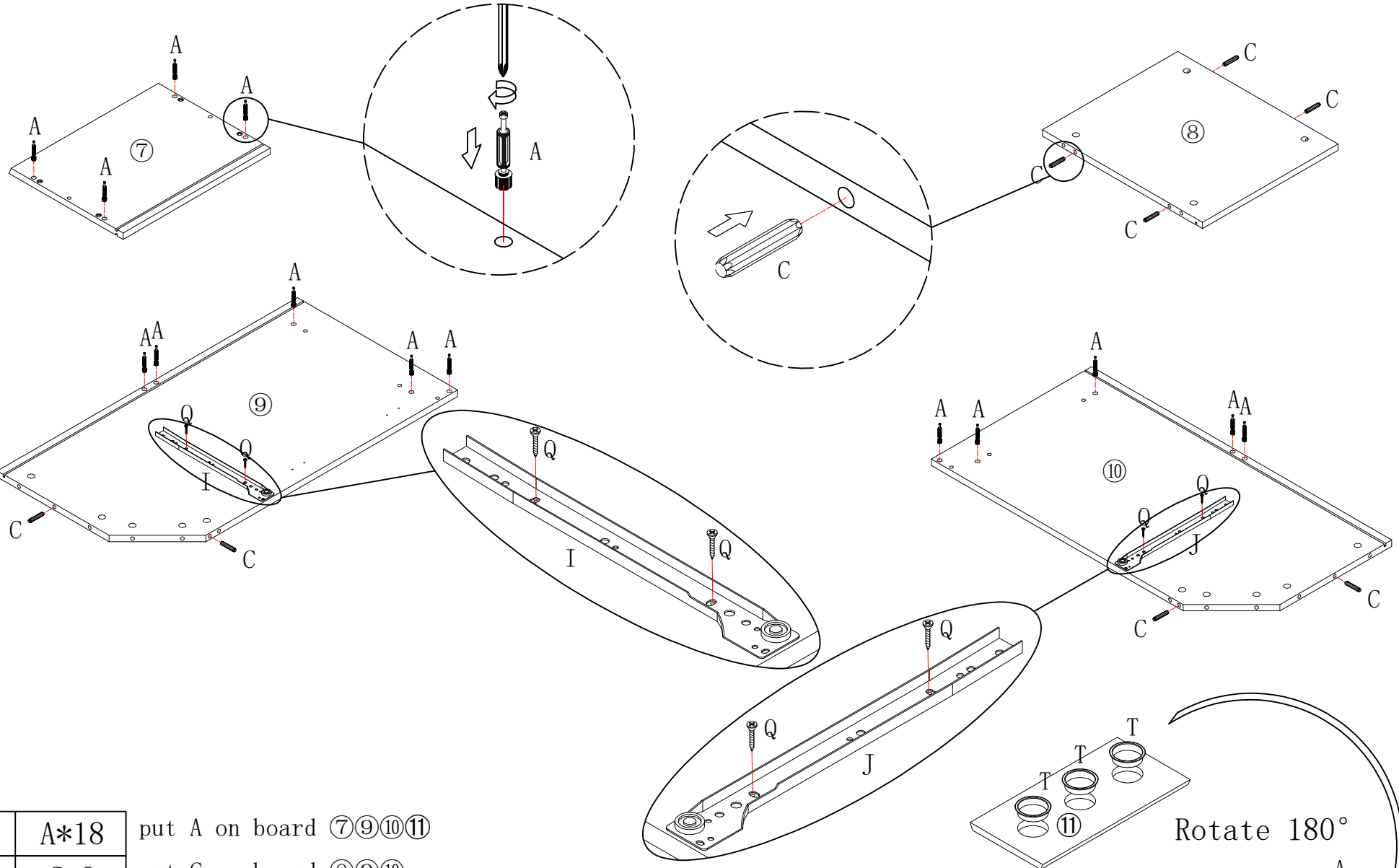








	A*14
	C*6
	E*1
	F*1
	Q*4

put A on board ③④⑫

put C on board ①②⑬

2



	A*18
	C*8
	I*1
	J*1
	Q*4
	T*3

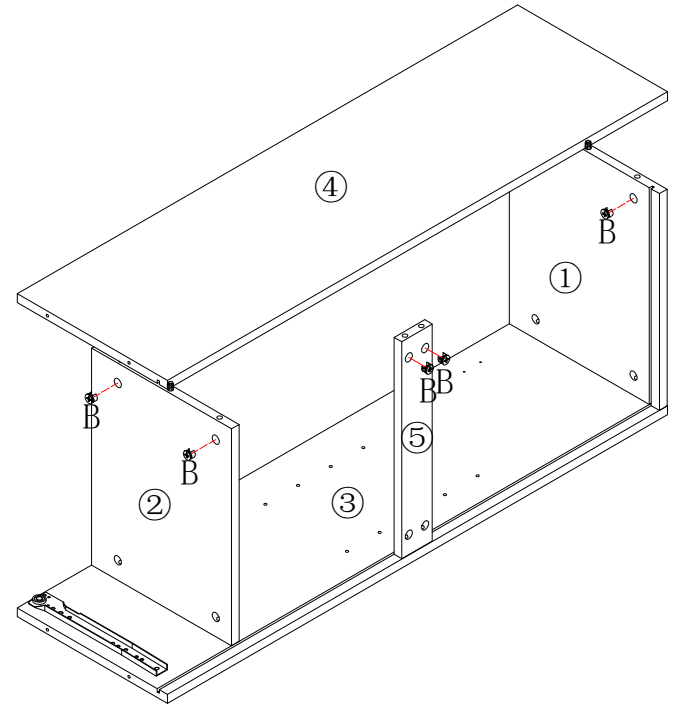
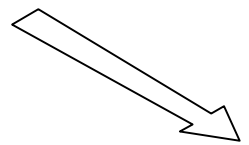
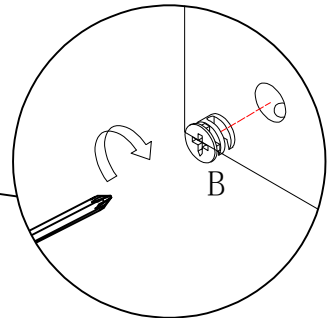
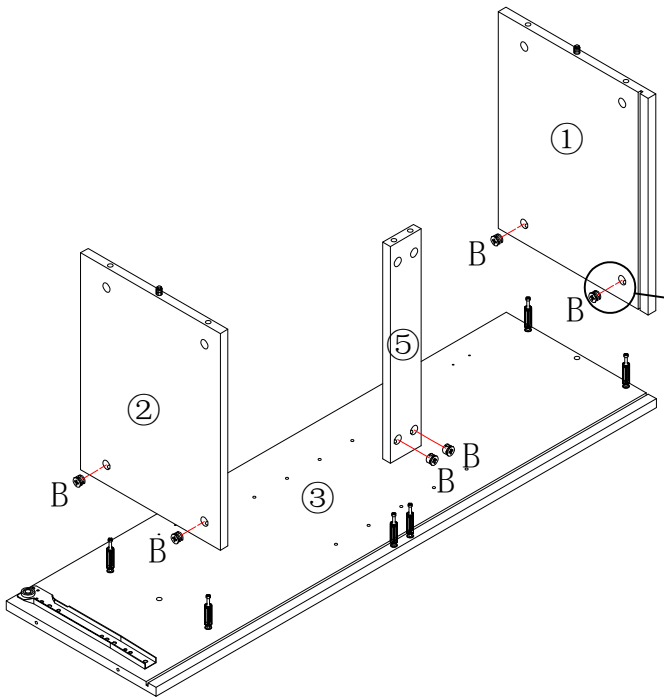
put A on board (7)(9)(10)(11)

put C on board (8)(9)(10)

Rotate 180°

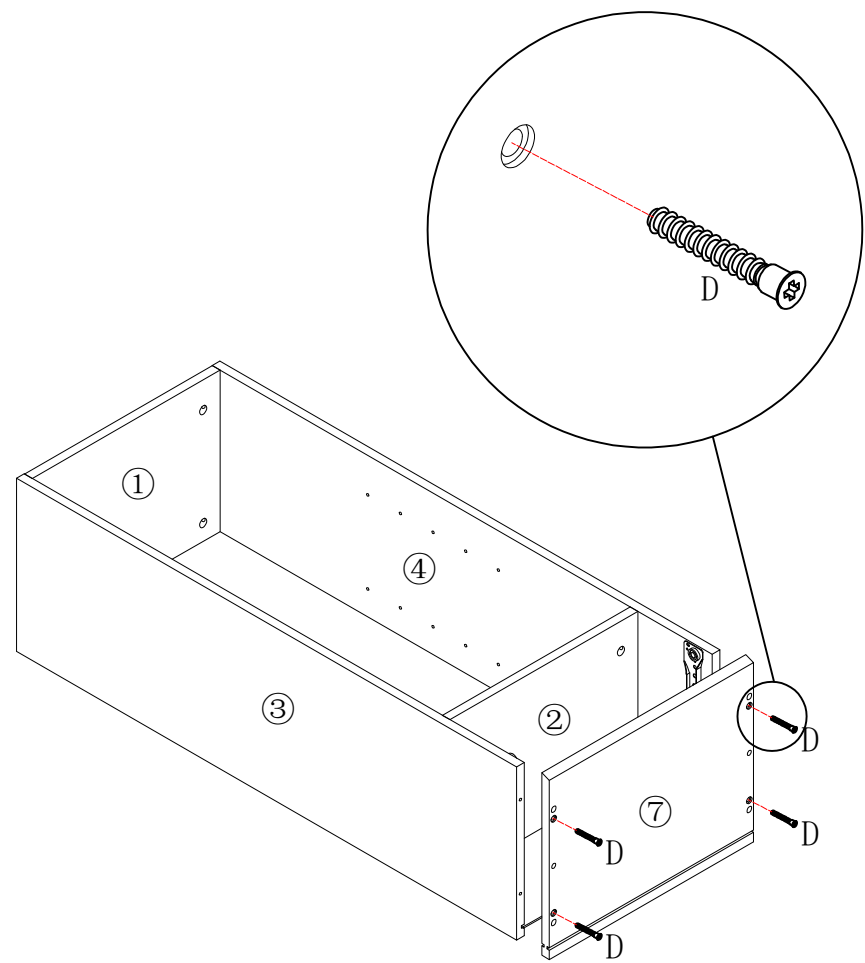
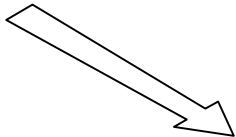
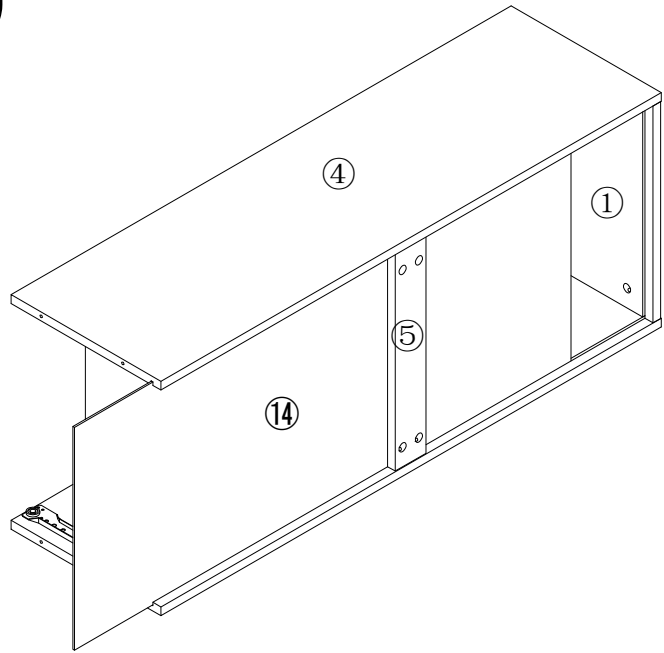
3


Make sure the arrow on the screw align to the hole on the side.



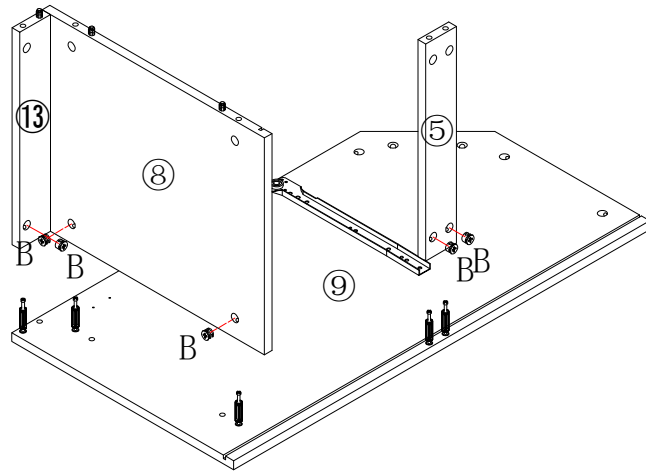
B\*12 put B on board ①②⑤

4

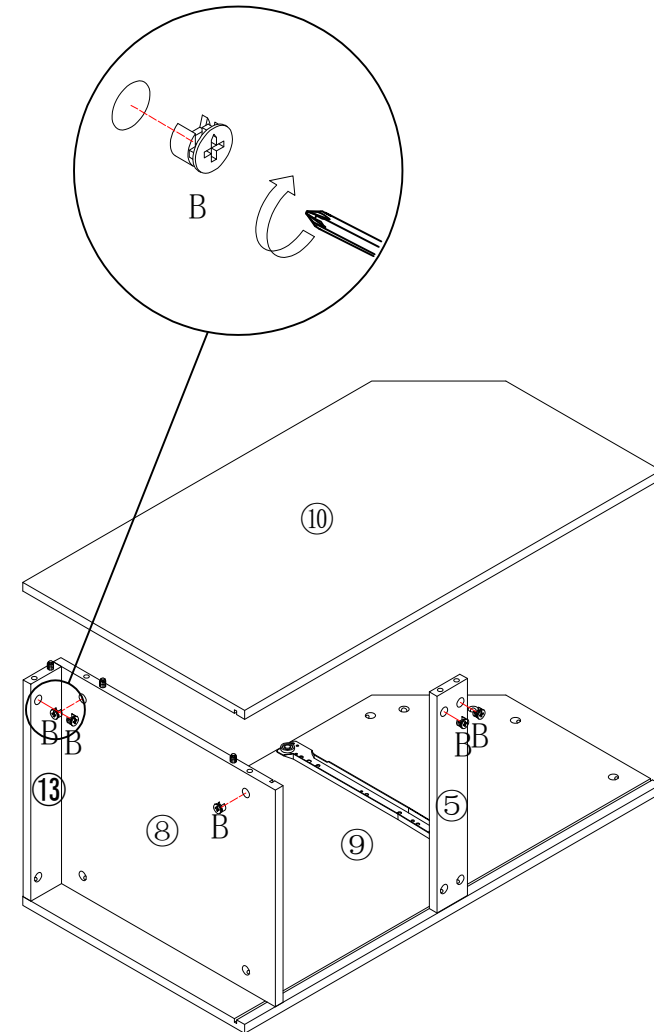
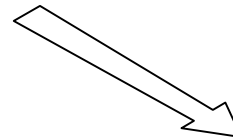


 D\*4

5

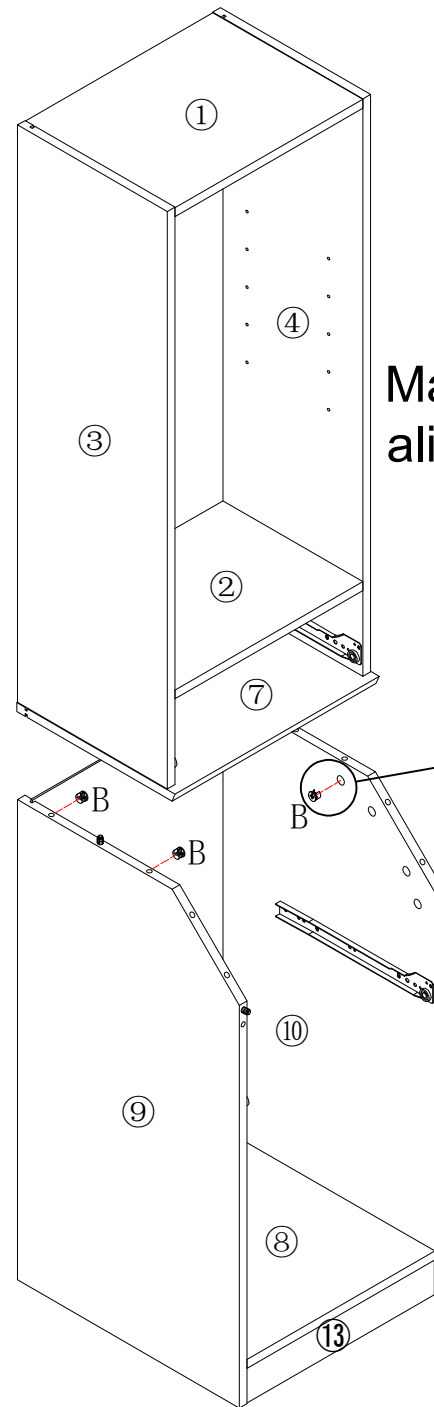
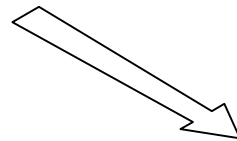
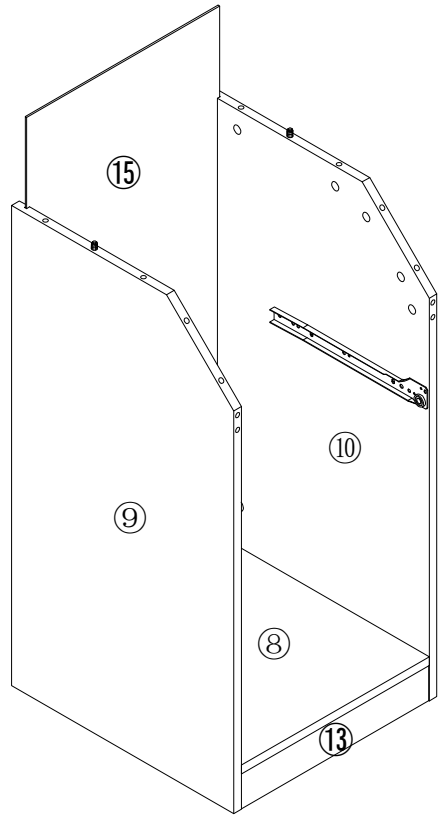


Make sure the arrow on the screw align to the hole on the side.

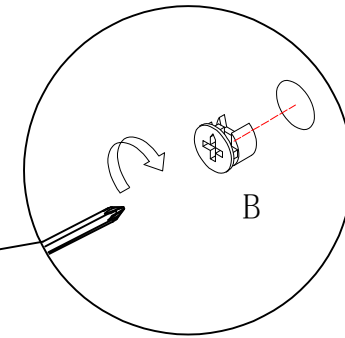


B\*10 put B on board 5 8 13

6



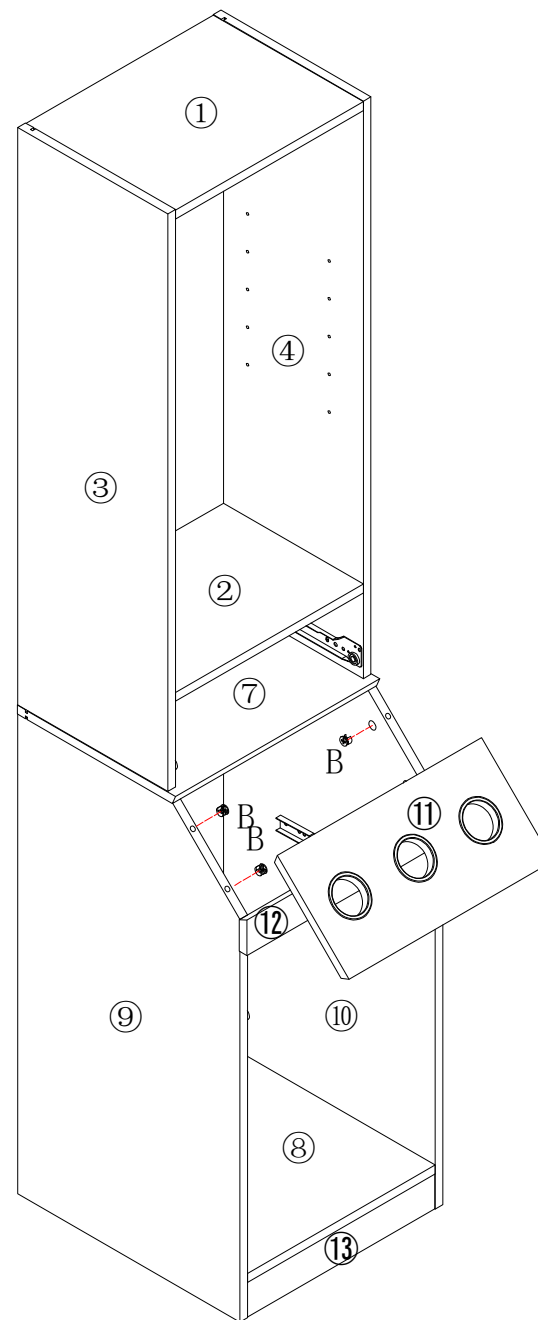
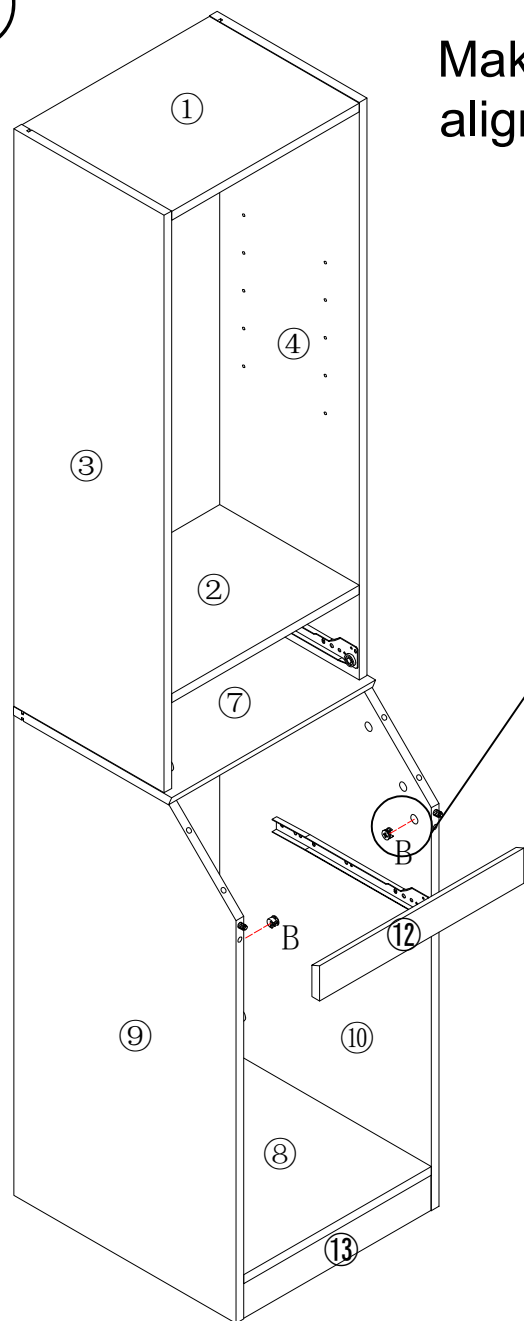
Make sure the arrow on the screw align to the hole on the side.



B\*4 put B on board 9 10

7

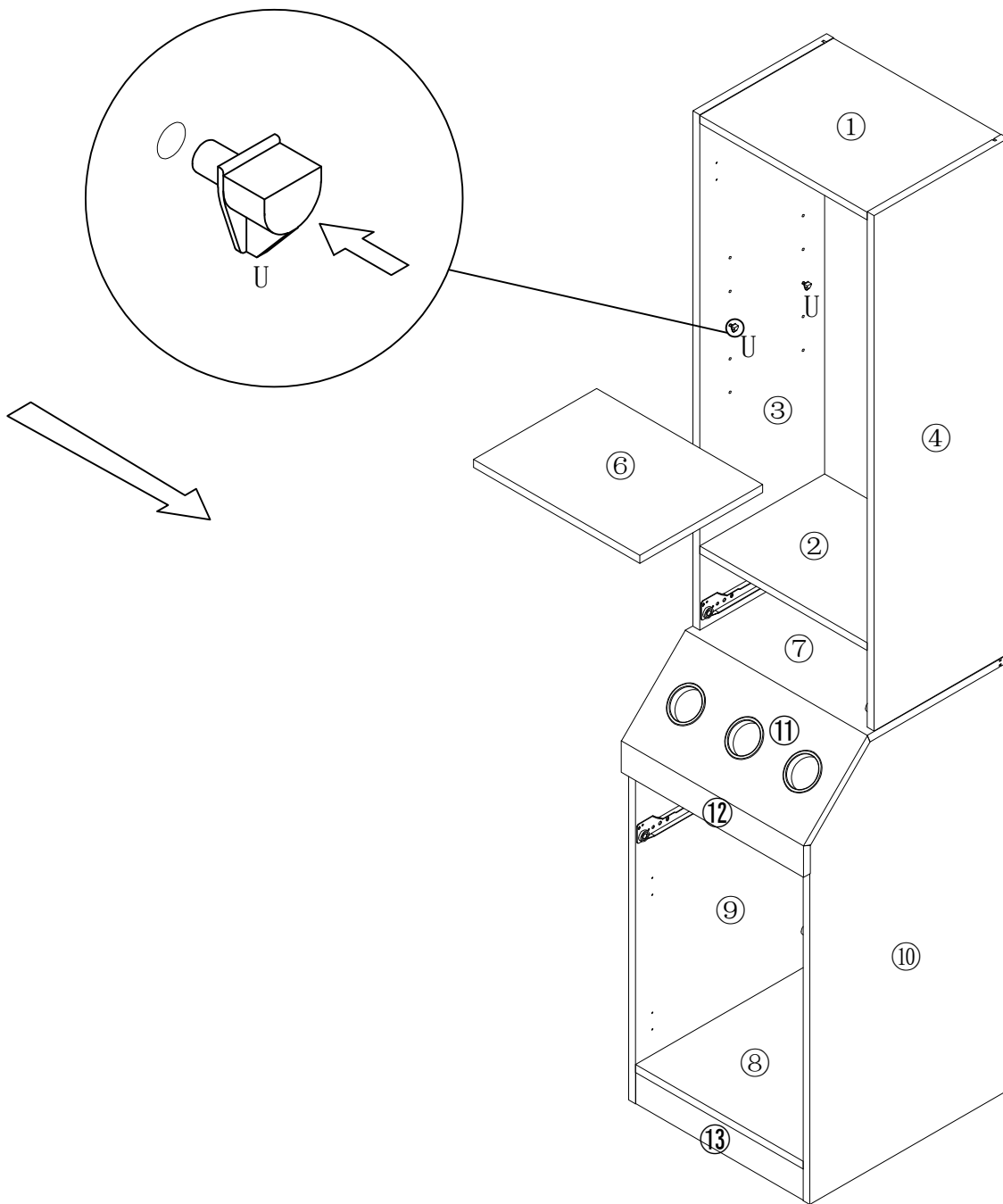
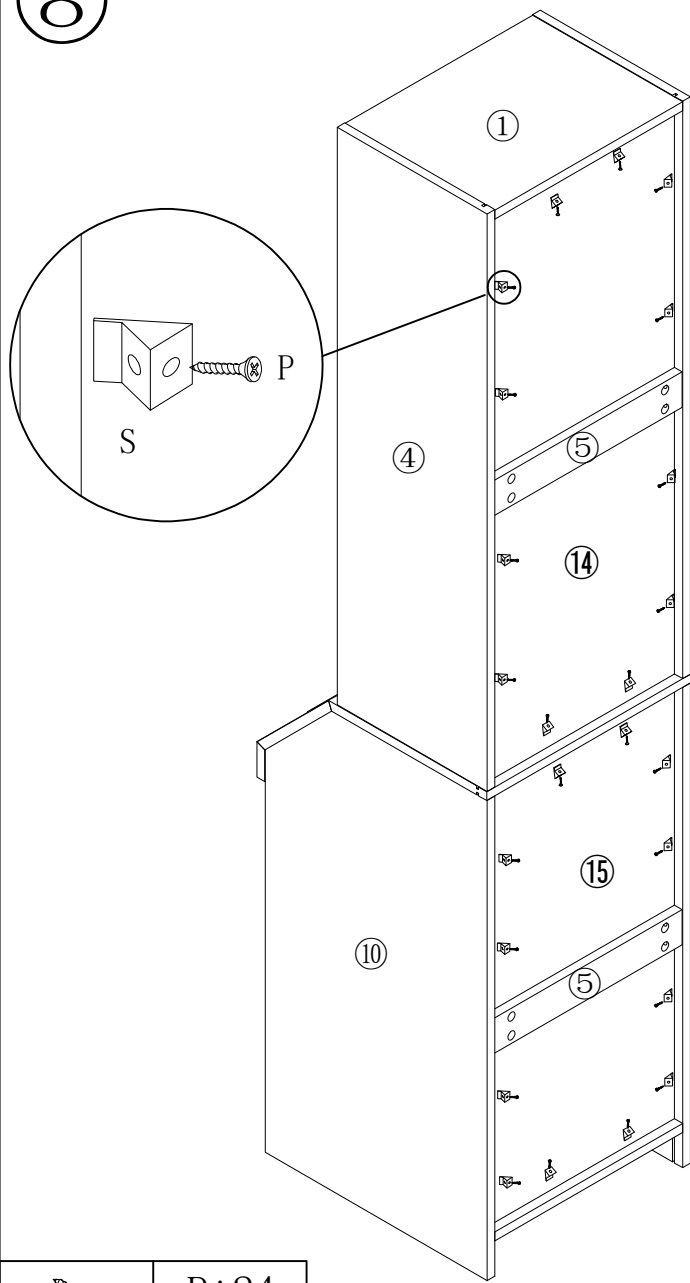
Make sure the arrow on the screw align to the hole on the side.






B\*6

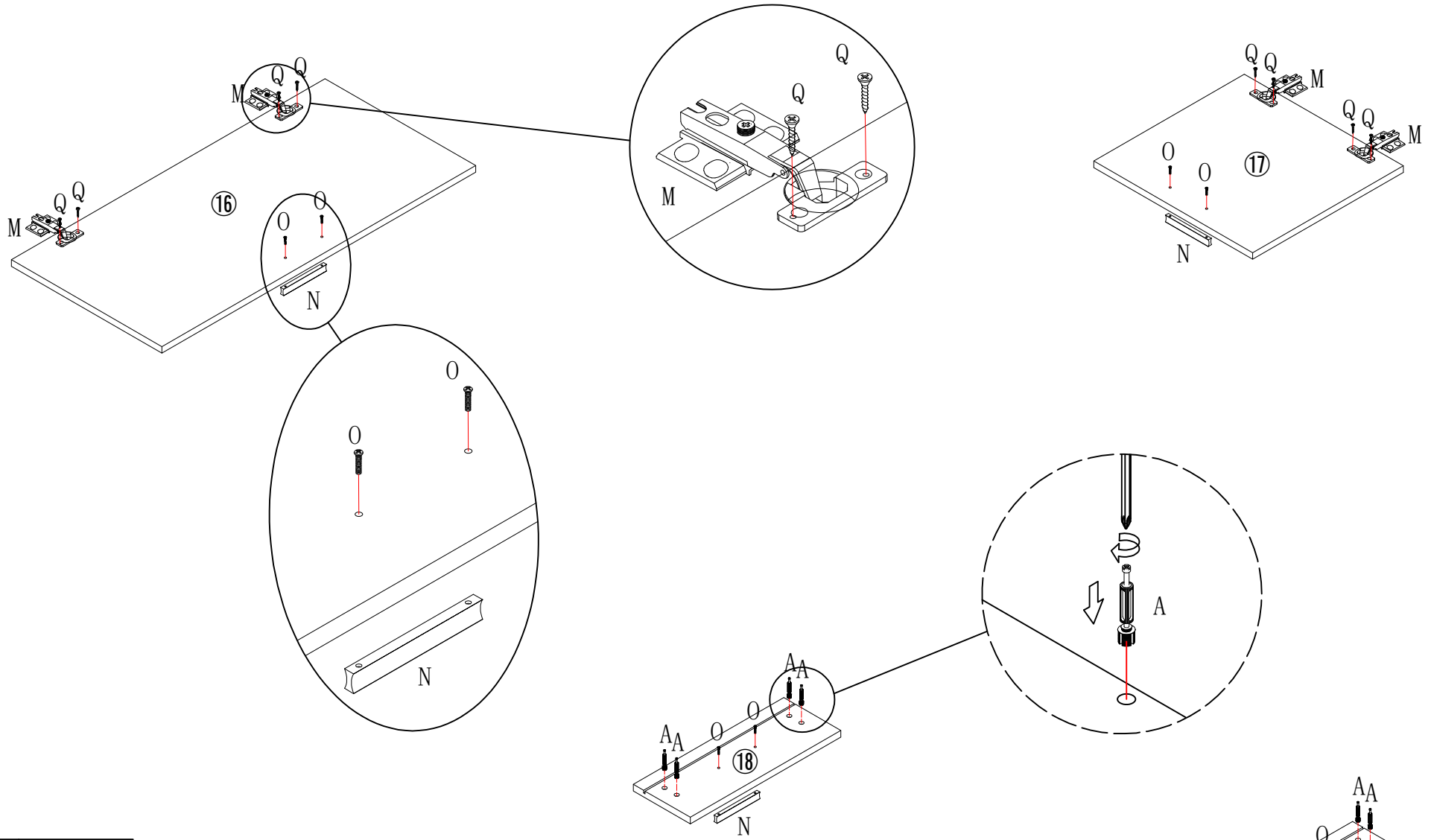
put B on board 9⑩






8



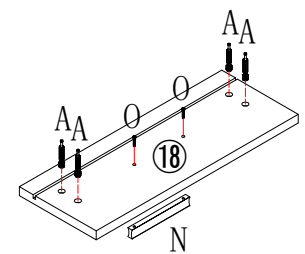
	P*24
	S*24
	U*4

9

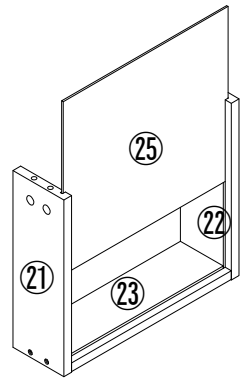
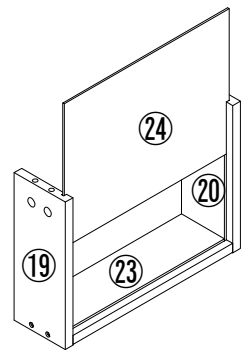
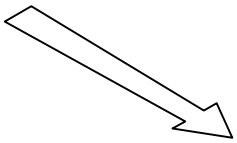
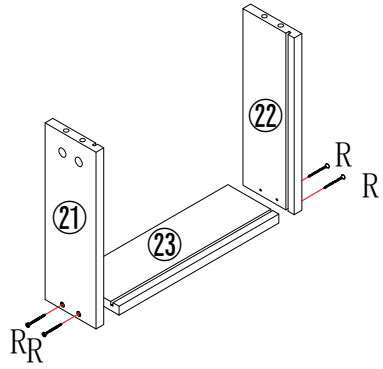
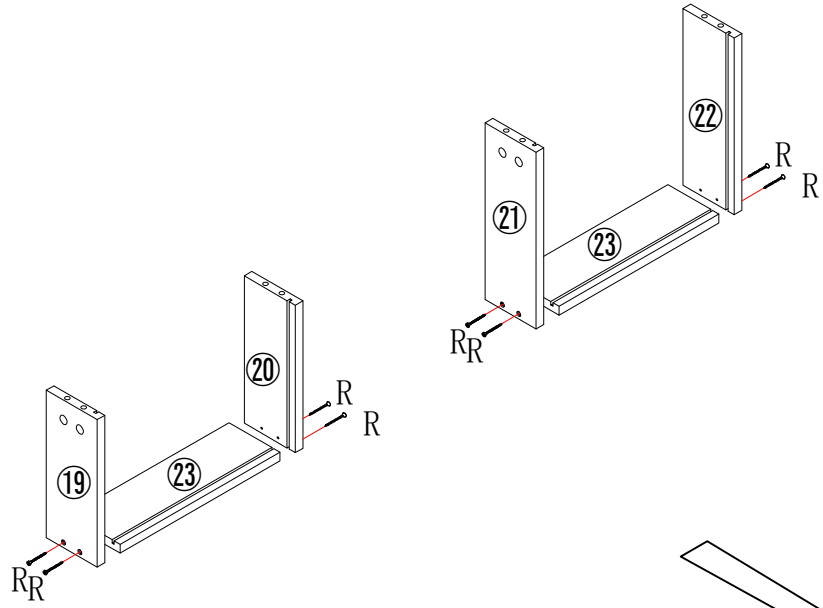


	A*8
	M*4
	N*4
	O*8
	Q*8

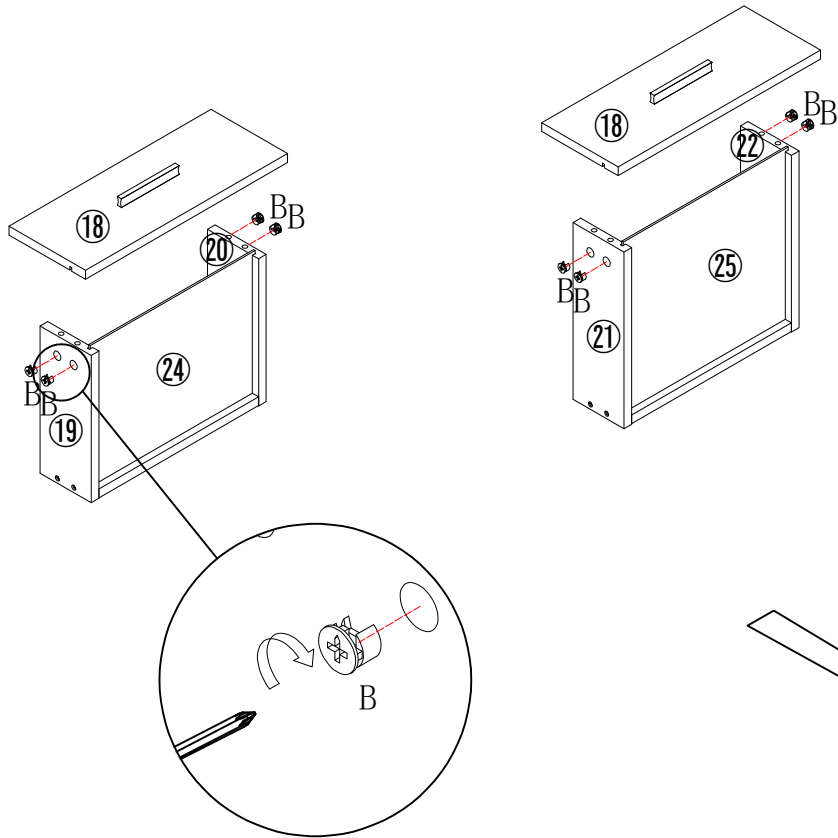
put A on board 18



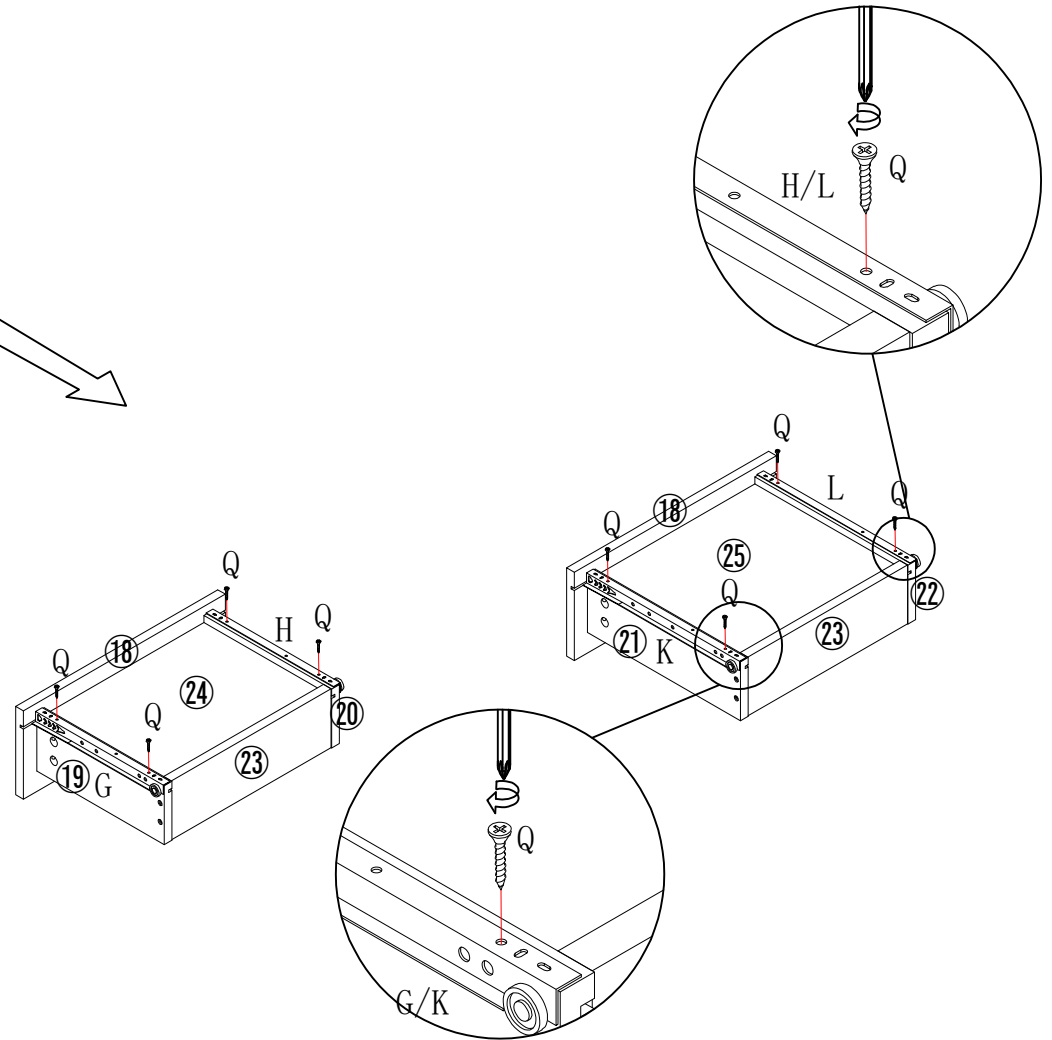
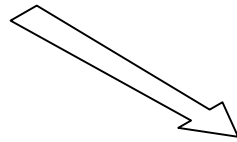
10









11



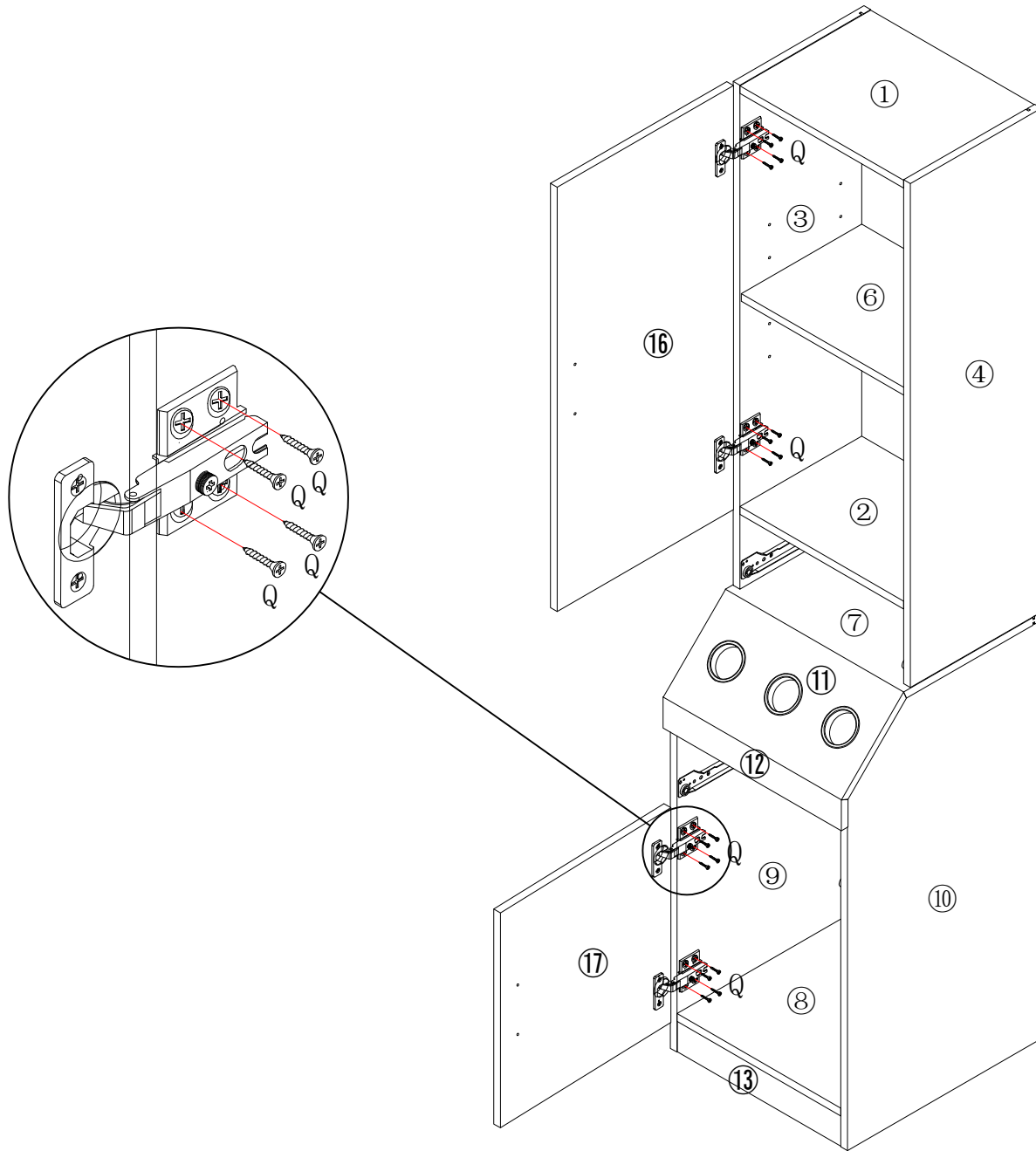
Make sure the arrow on the screw align to the hole on the side.



	B*8
	G*1
	H*1
	K*1
	L*1
	Q*8

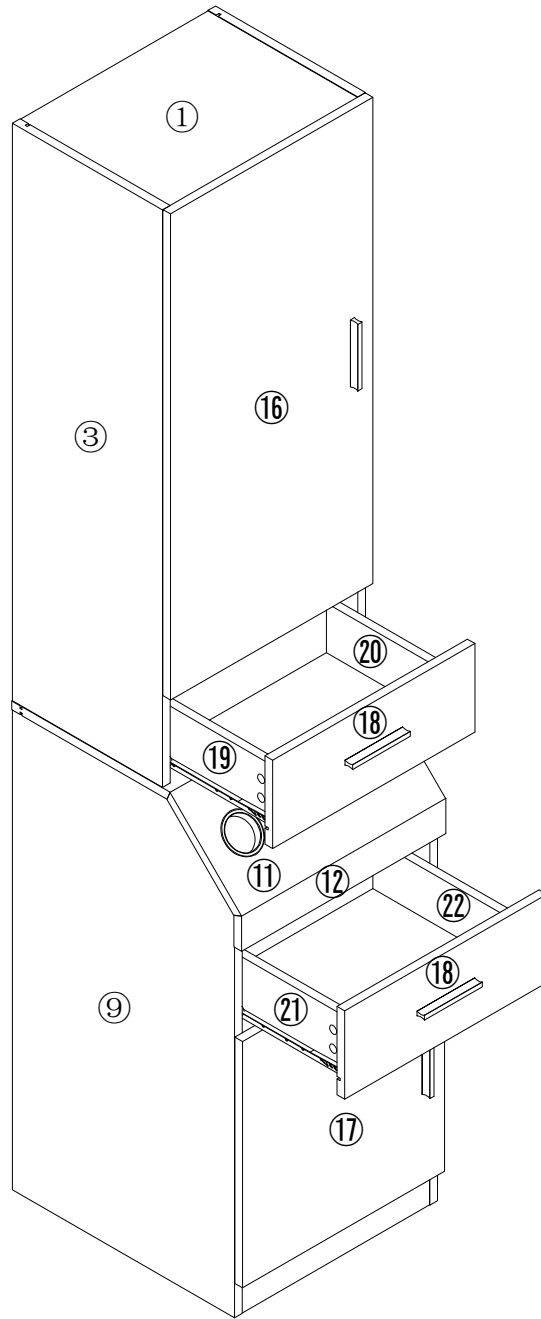
put B on board 19 20 21 22

12

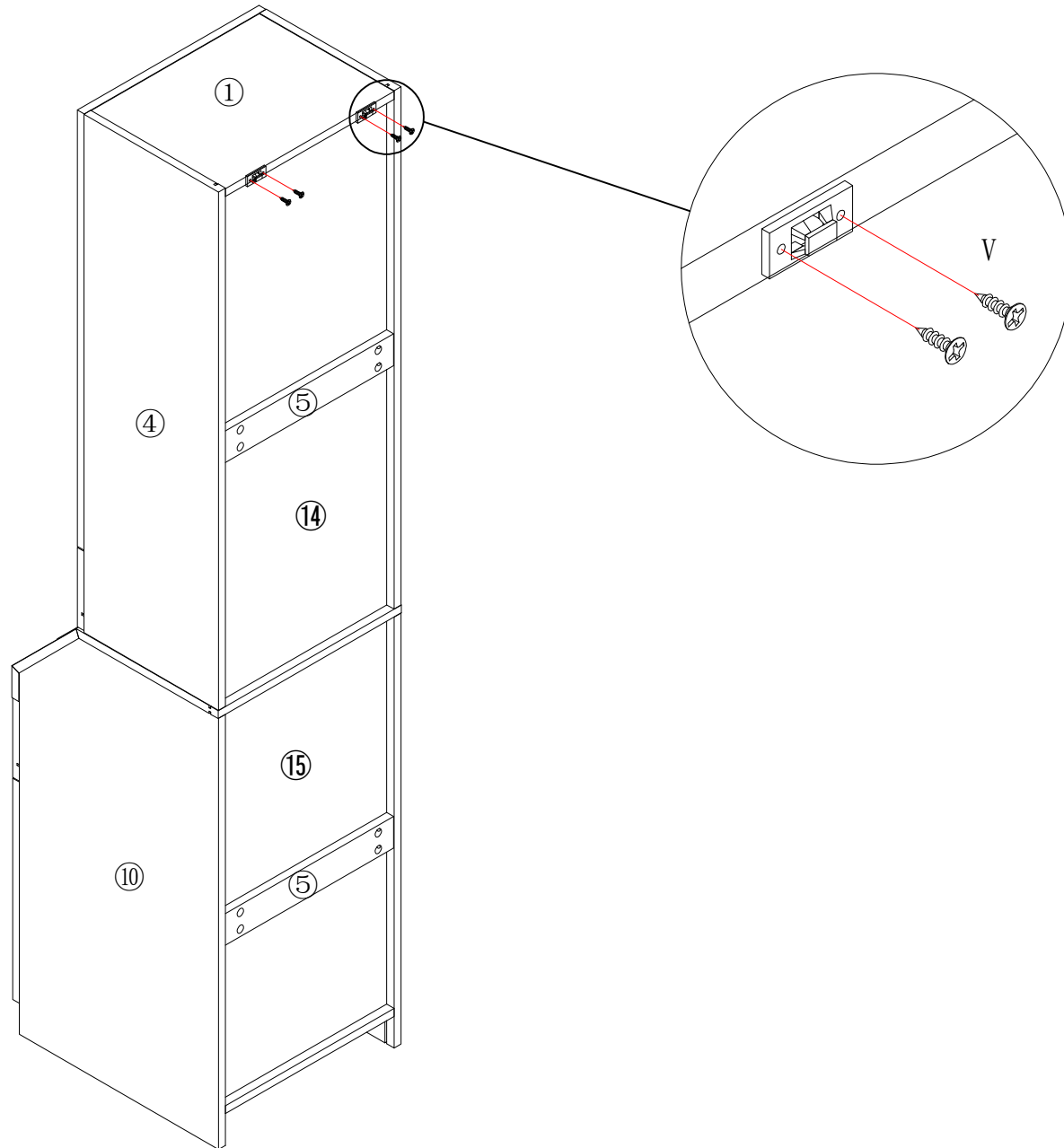


Q\*16

13

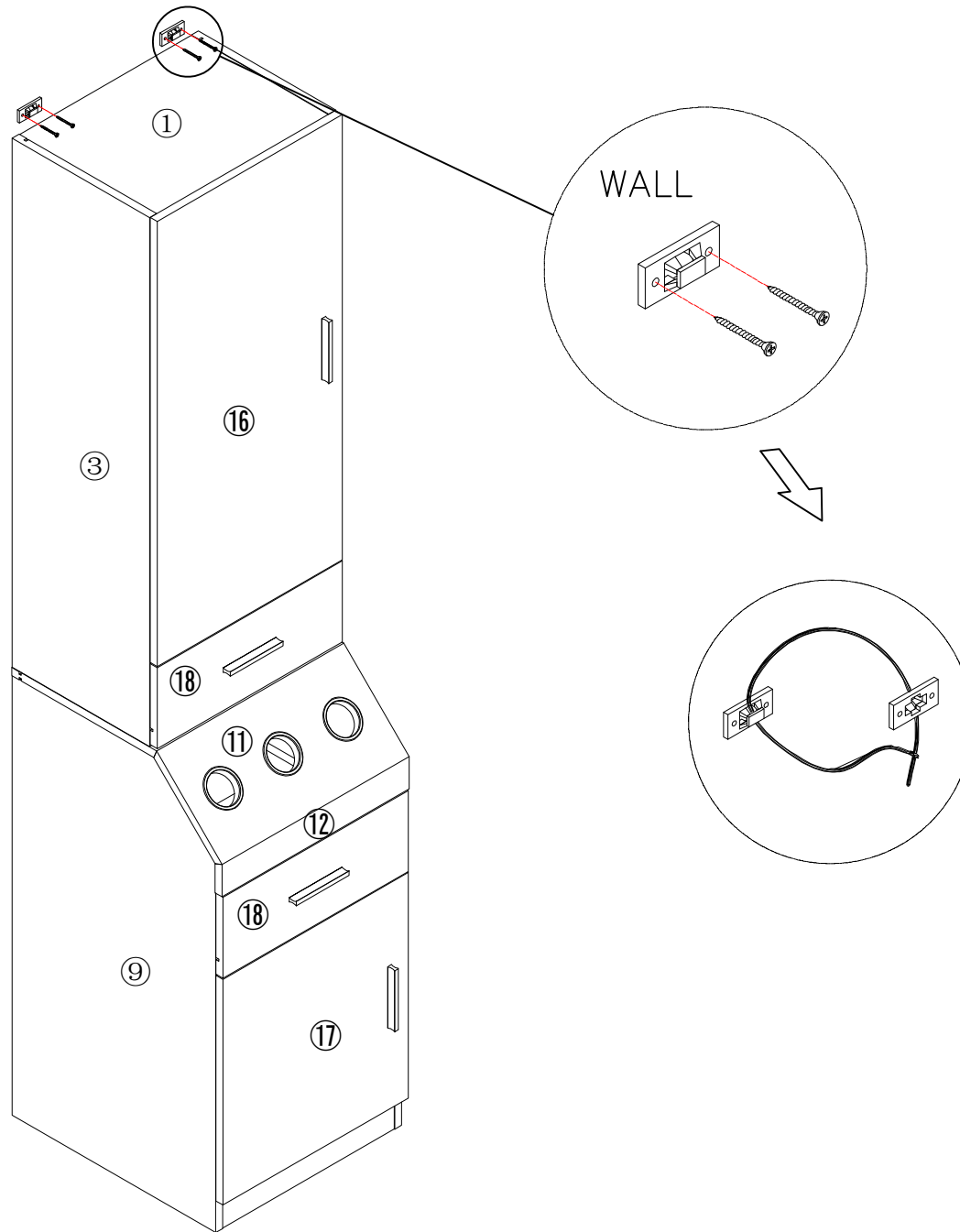


14

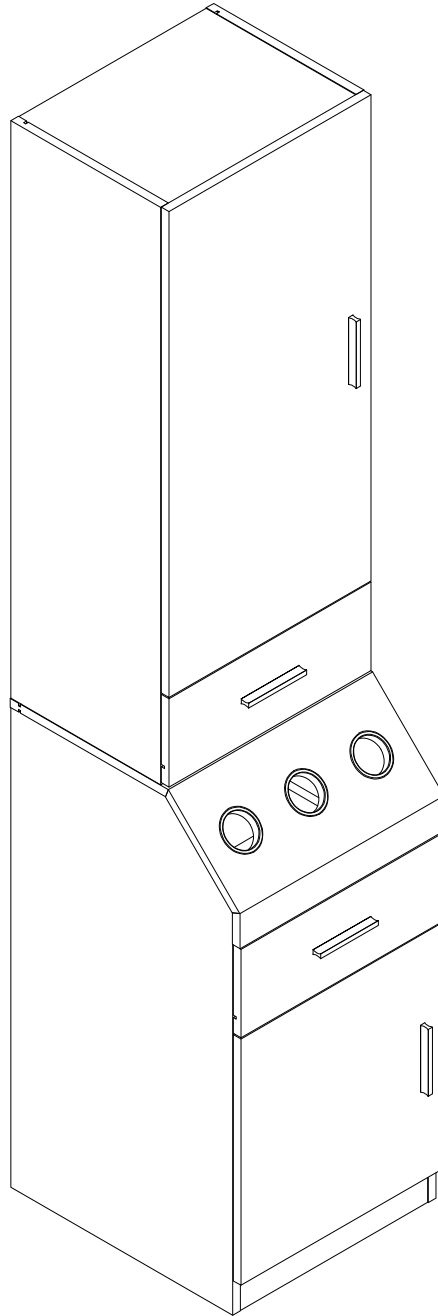


V\*2

15



16



---END---