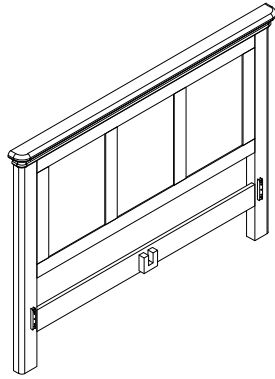
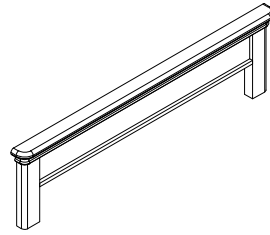


ASSEMBLY INSTRUCTION BED 5' PANEL BED

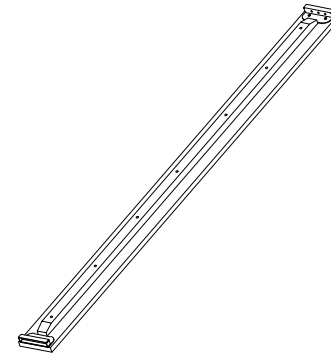
No	Name of Hardwere	Q.ty
①	Bolts M6 x 15	8
②	Screw M4x30	6
③	Allen Key(K5)	1



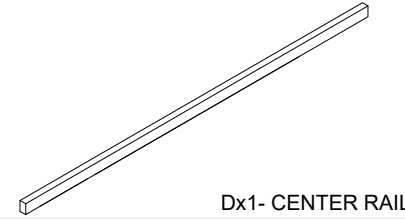
Ax1- HEAD BED



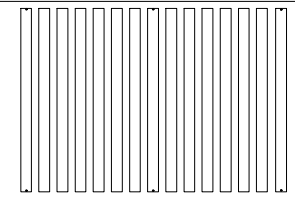
Bx1- FOOT BED



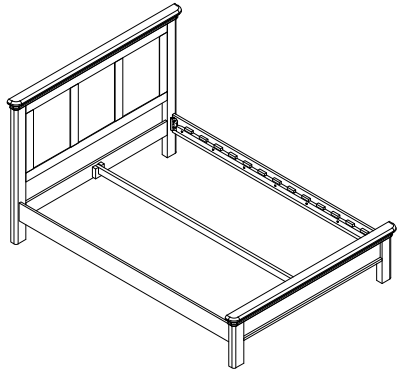
Cx2- SIDE BED



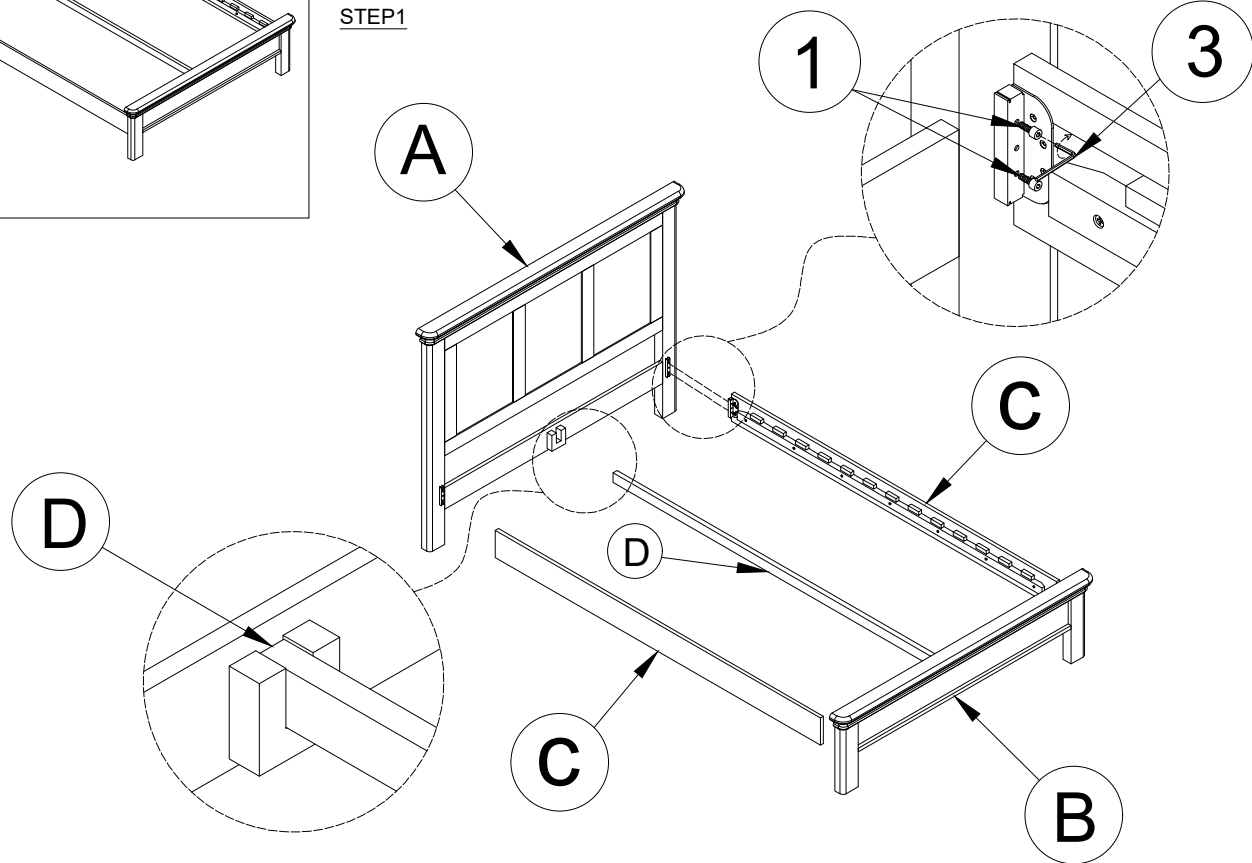
Dx1- CENTER RAIL



Ex15- SLAT



STEP1



STEP2

