

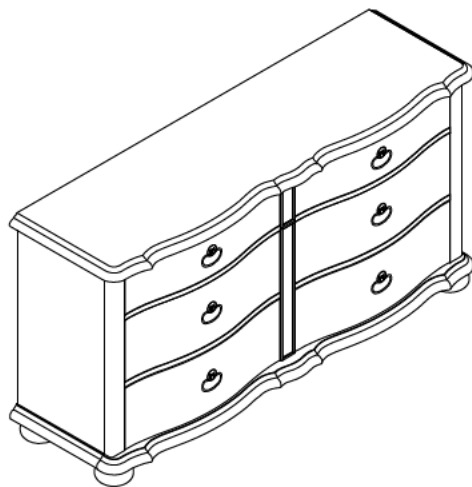
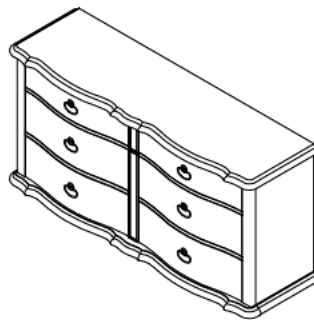
**WARNING**

Serious or fatal crushing injuries can occur from furniture tip-over. To help prevent tip-over:

- Install tipover restraint provided.
- Place heaviest items in the lowest drawers.
- Do not set TV's or other heavy objects on top of this product, unless the product is specifically designed to accommodate them.
- Never allow children to climb or hang on drawers, doors, or shelves.
- Never open more than one drawer at a time. (CR)
- Do not defeat or remove the drawer interlock system.

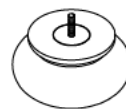
Use of tip-over restraints may only reduce, but not eliminate, the risk of tip-over.

This is a permanent label. Do not remove!

**A**

- x1 Buffet
- x1 Buffet
- x1 Aparador



**B**

- x4 Bun Foot \*
- x4 Pied en forme d'oignon
- x4 Pata redonda



**C**

- x1 Center leg \*
- x1 Pattes centrales
- x1 Patas centrales



**D**

- x1 Furniture Tipping Restraint \*
- x1 Systeme antibasculement
- x1 Control para evitar vulcos

\* Replaceable Part



# ASSEMBLY INSTRUCTIONS / NOTICE DE MONTAGE / INSTRUCCIONES DE MONTAJE

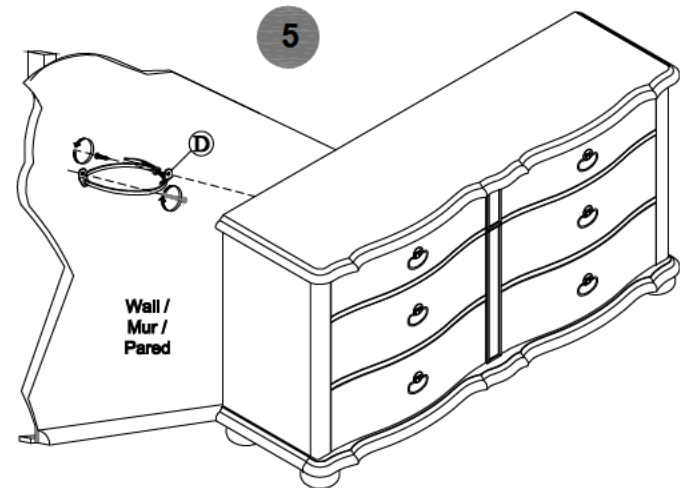
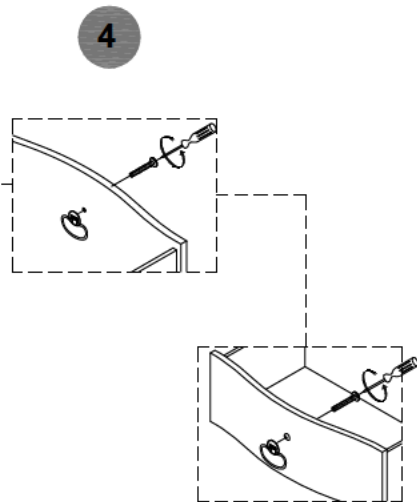
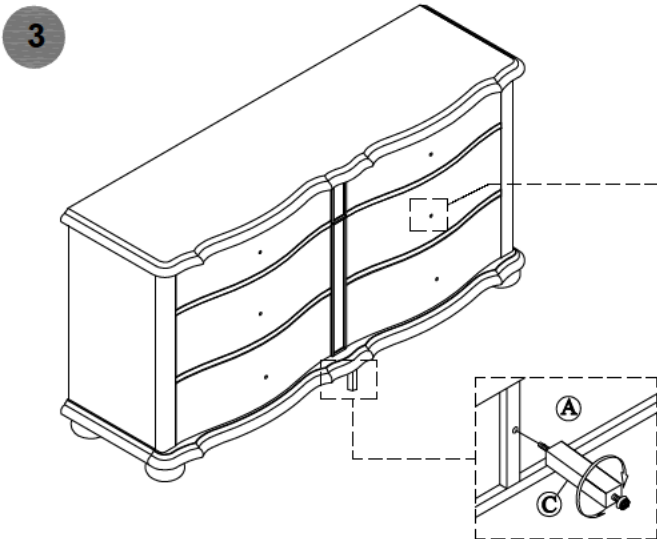
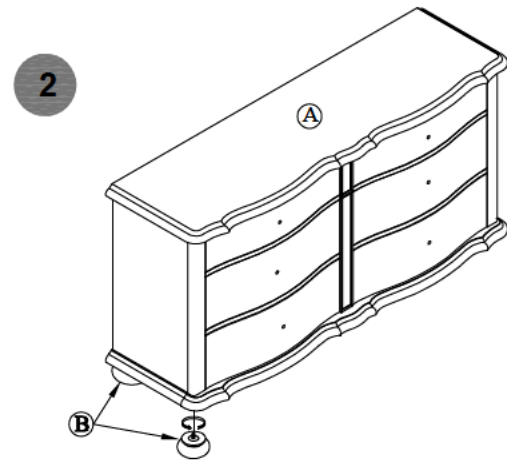
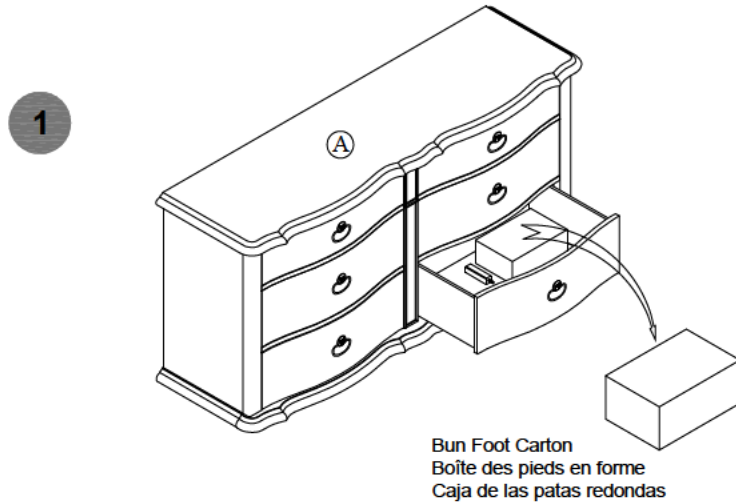
**WARNING**

Serious or fatal crushing injuries can occur from furniture tip-over. To help prevent tip-over:

- Install tipover restraint provided.
- Place heaviest items in the lowest drawers.
- Do not set TVs or other heavy objects on top of this product, unless the product is specifically designed to accommodate them.
- Never allow children to climb or hang on drawers, doors, or shelves.
- Never open more than one drawer at a time. (CR)
- Do not defeat or remove the drawer interlock system.

Use of tip-over restraints may only reduce, but not eliminate, the risk of tip-over.

This is a permanent label. Do not remove!



\* Replaceable Part



## REPLACEABLE PART / PARTIE REMPLAÇABLE / PARTE REEMPLAZABLE

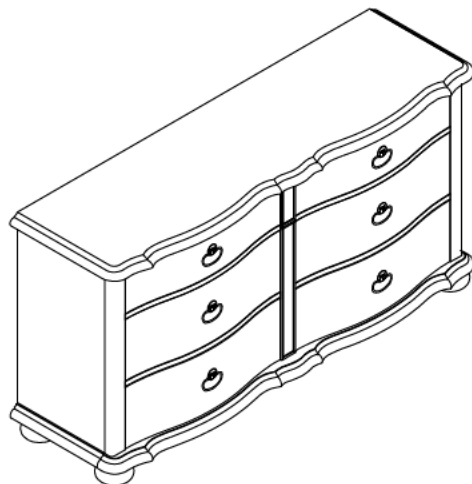

**WARNING**

Serious or fatal crushing injuries can occur from furniture tip-over. To help prevent tip-over:

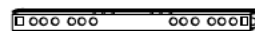
- Install tipover restraint provided.
- Place heaviest items in the lowest drawers.
- Do not set TVs or other heavy objects on top of this product, unless the product is specifically designed to accommodate them.
- Never allow children to climb or hang on drawers, doors, or shelves.
- Never open more than one drawer at a time. (CR)
- Do not defeat or remove the drawer interlock system.

Use of tip-over restraints may only reduce, but not eliminate, the risk of tip-over.

This is a permanent label. Do not remove!



x6 RD230-001-PULL-Pull + Screw \*  
Poignée + Vis  
Tirador + Tornillo



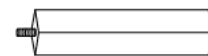
x6 COMGLIDE-12-35-Drawer Glide \*  
Tiroir Glide  
Deslizamiento del cajón



x4 RD230-001-FOOT - Bun Foot \*  
Pied en forme d'oignon  
Pata redonda



x4 RC-BR-NAIL-Plastic nail - Clou - Clavo \*



x1 RD230-002-CELEG-Center Support Leg \*  
Supporte central  
Soporte para la pata central

\* Replaceable Part