

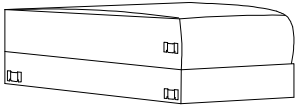
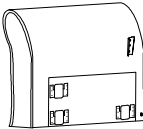
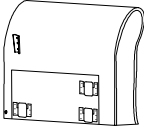
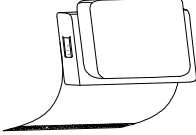




ASSEMBLY INSTRUCTION

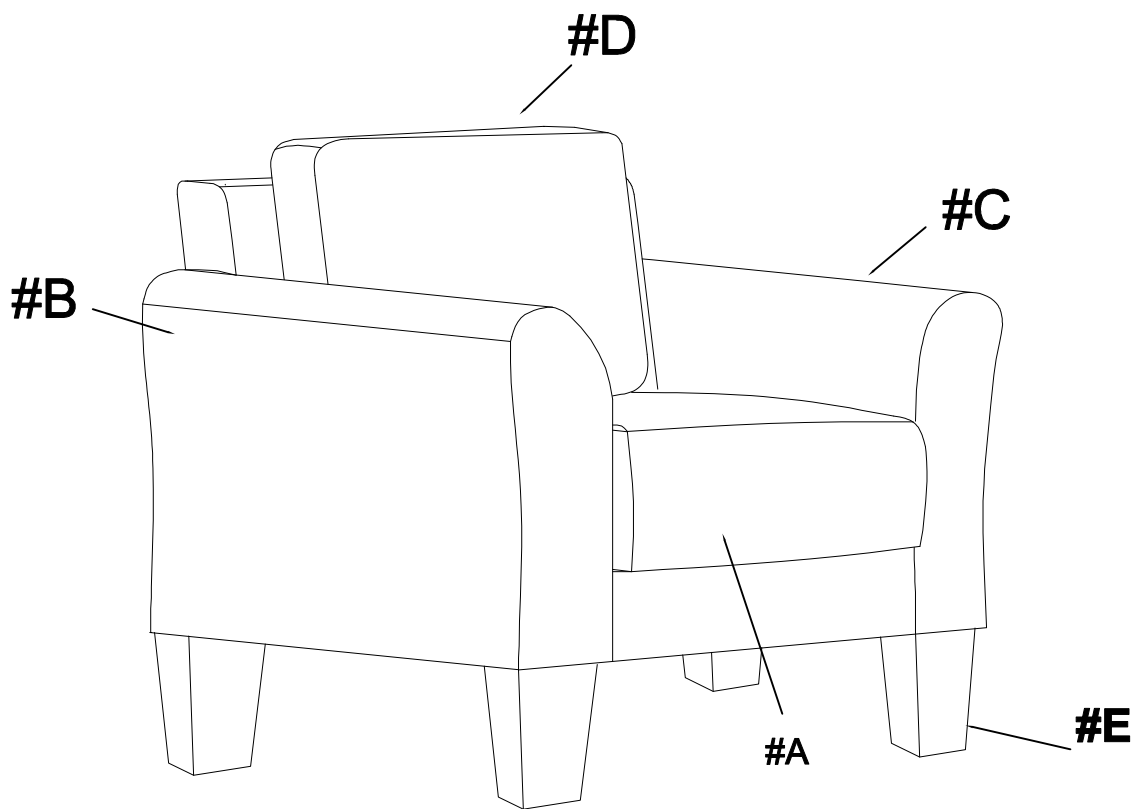
CHAIR



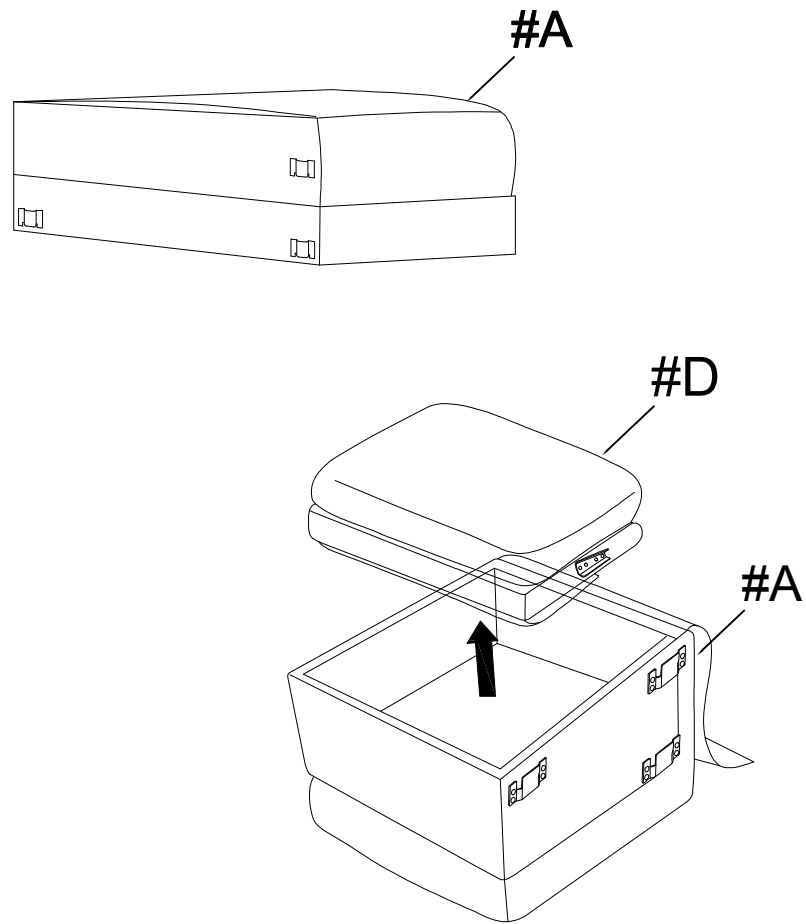
Back rest, arms and support bar are packed in the bottom of seat,
Legs and hardware are stored in box, please take out for assembly.

NOTE: Do not use power tools for assembly. Power tools increase the risk of over tightening which lead to splitting or cracking the wood.

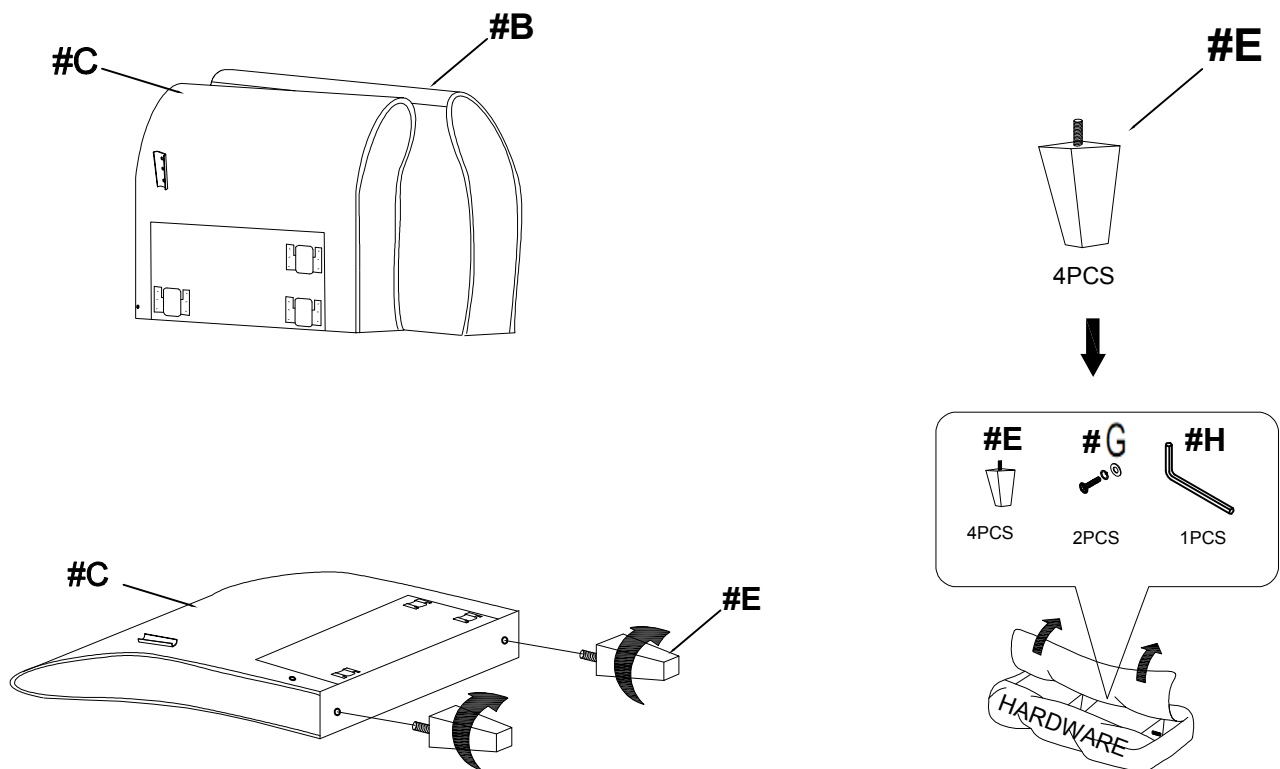
| NO. | DRAWING | QTY | DESCRIPTION |
|-----|---|-----|--------------------------------|
| A |  | 1 | Seat |
| B |  | 1 | LSF Armrest |
| C |  | 1 | RSF Armrest |
| D |  | 1 | Back rest |
| E |  | 4 | Plastic Leg |
| F |  | 1 | Support bar |
| G |  | 2 | Bolts + Spring washer + Washer |
| H |  | 1 | Allen key |



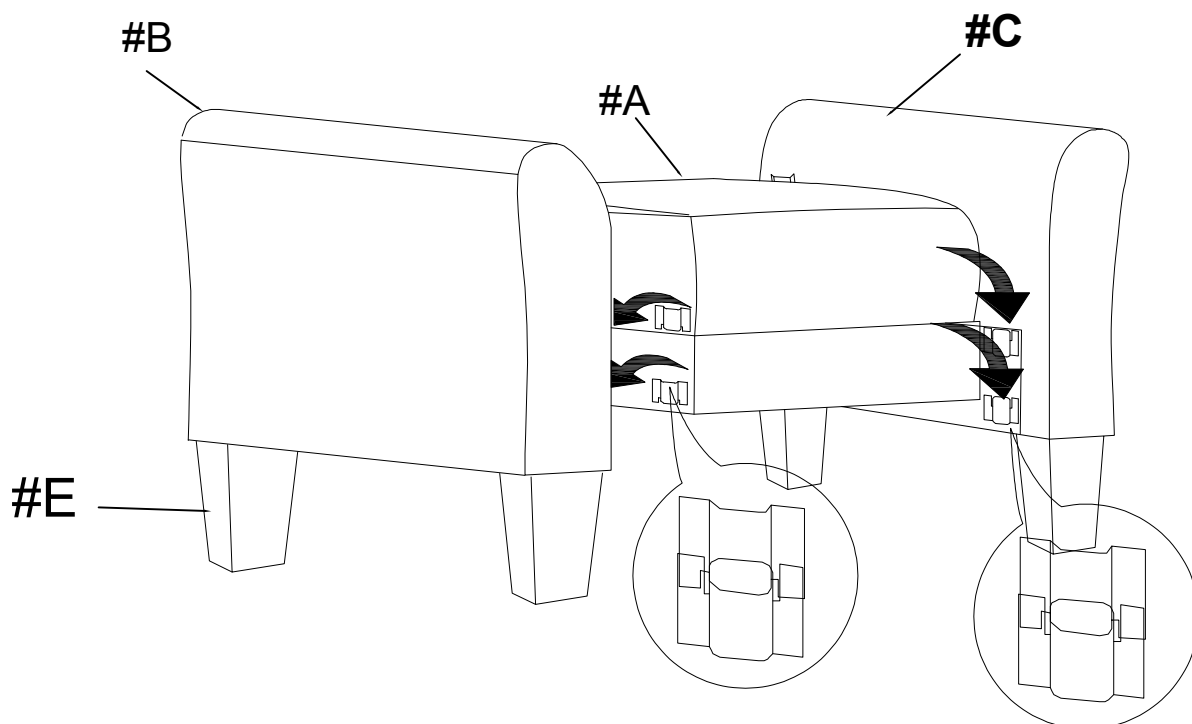
STEP 1:



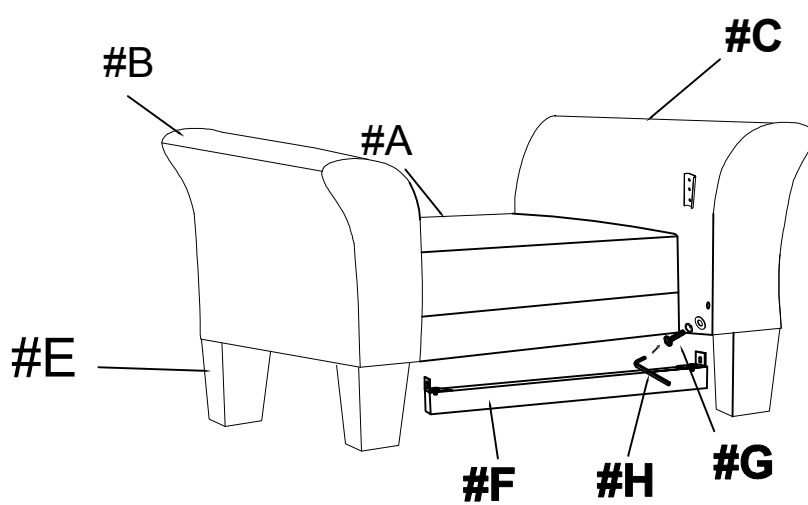
STEP 2:



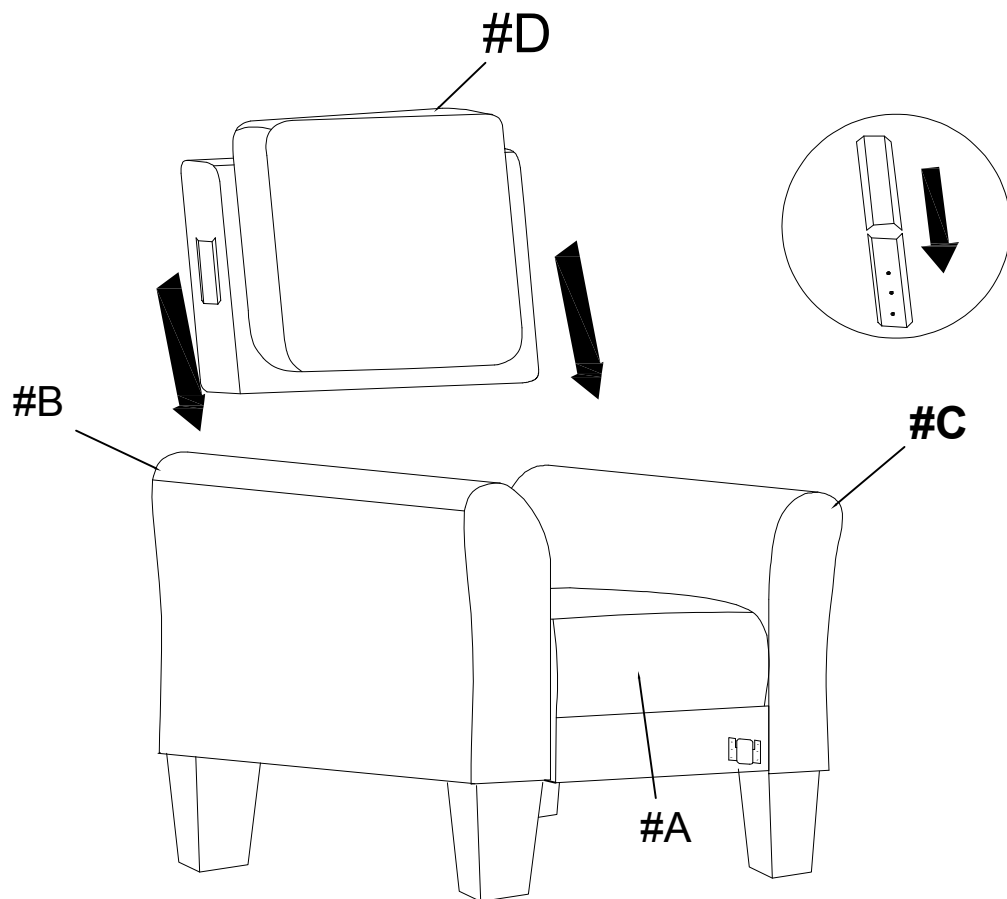
STEP 3:



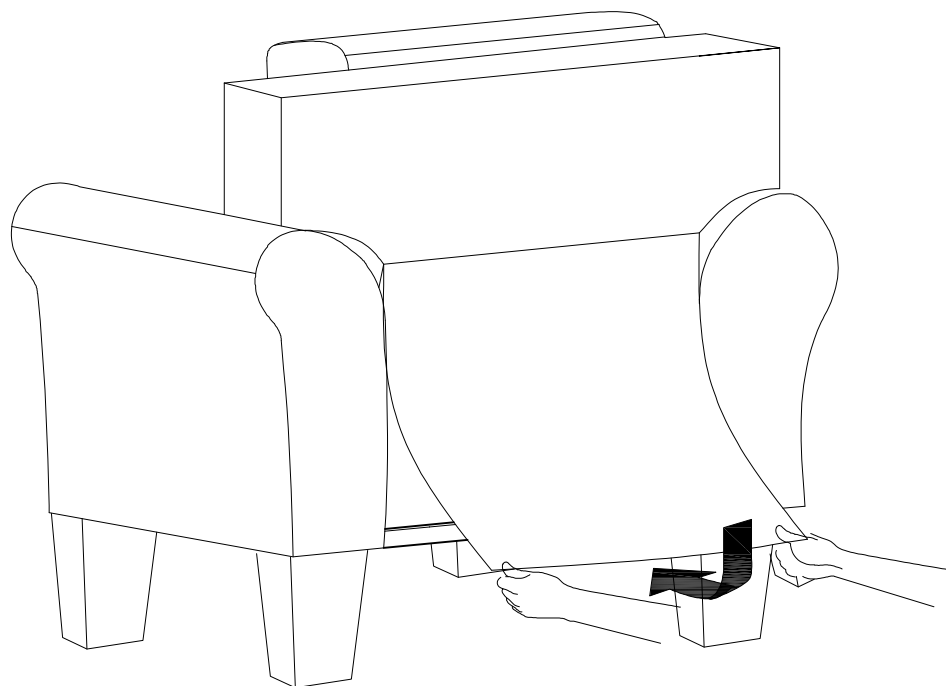
STEP 4:

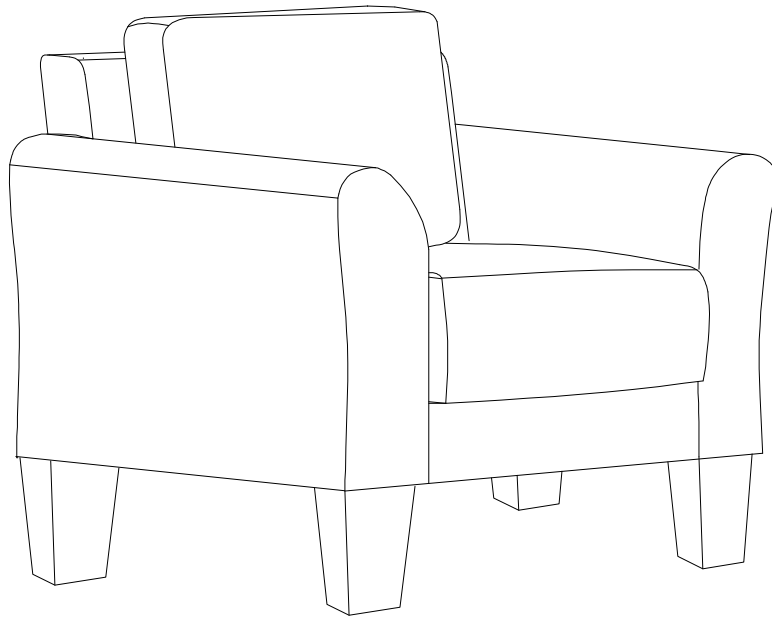


STEP 5:



STEP 6:





Care instruction for Linen - like furniture:

In order to maintain the original appearance of your Linen - like furniture, please follow below simple care procedures:

- Avoid exposing furniture directly to sunlight or heating or heating conditioning outlets. Sunlight and or exposure to heating and air conditioning outlets will fade/damage Linen - like .
- Do not place your upholstered furniture too close to windows, radiators, or vents, and be sure to use windows, radiators, or vents.
- Vacuum or wipe with a cloth regularly to remove dust.



For items used on wooden floor, hard surfaces or carpets, it is recommended to install protective pads under all legs and supports to avoid/prevent from damages/scratches and discoloration.

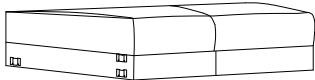
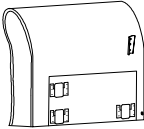
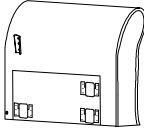
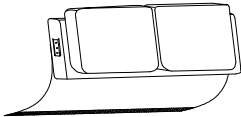




ASSEMBLY INSTRUCTION

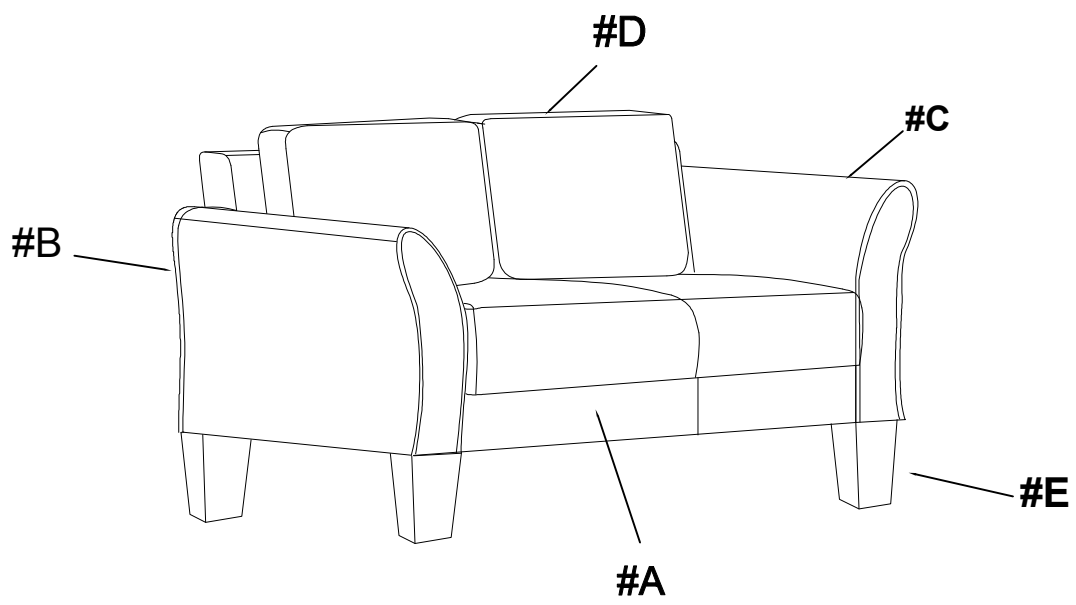
LOVE SEAT



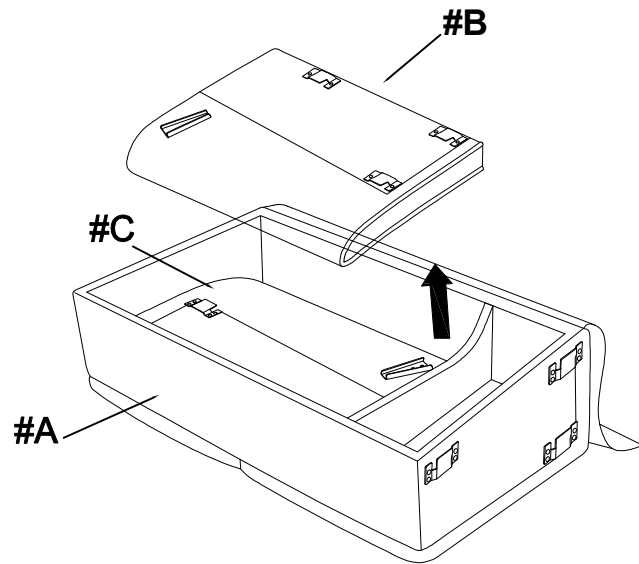
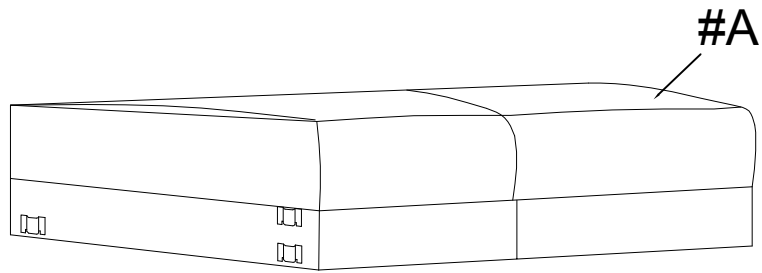
Back rest, arms and support bar are packed in the bottom of seat,
Legs and hardware are stored in box, please take out for assembly.

NOTE: Do not use power tools for assembly. Power tools increase the risk of over tightening which lead to splitting or cracking the wood.

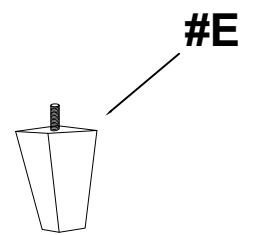
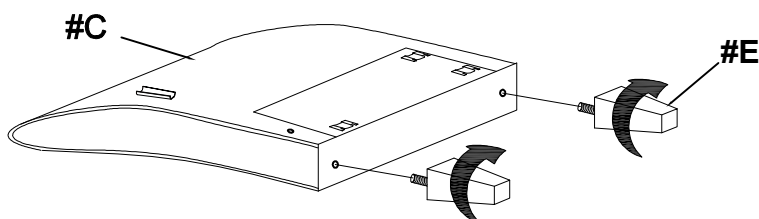
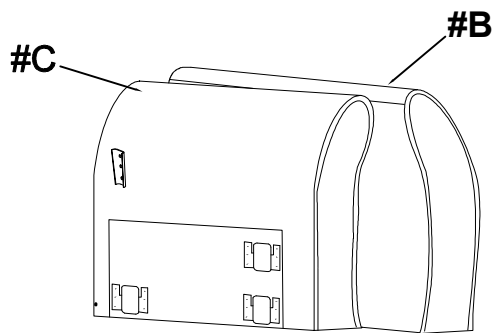
| NO. | DRAWING | QTY | DESCRIPTION |
|-----|---|-----|--------------------------------|
| A |  | 1 | Seat |
| B |  | 1 | LSF Armrest |
| C |  | 1 | RSF Armrest |
| D |  | 1 | Back rest |
| E |  | 4 | Plastic Leg |
| F |  | 1 | Support bar |
| G |  | 2 | Bolts + Spring washer + Washer |
| H |  | 1 | Allen key |



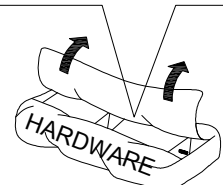
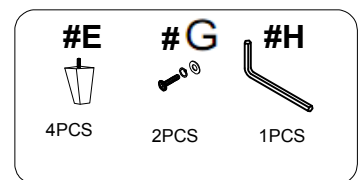
STEP 1:



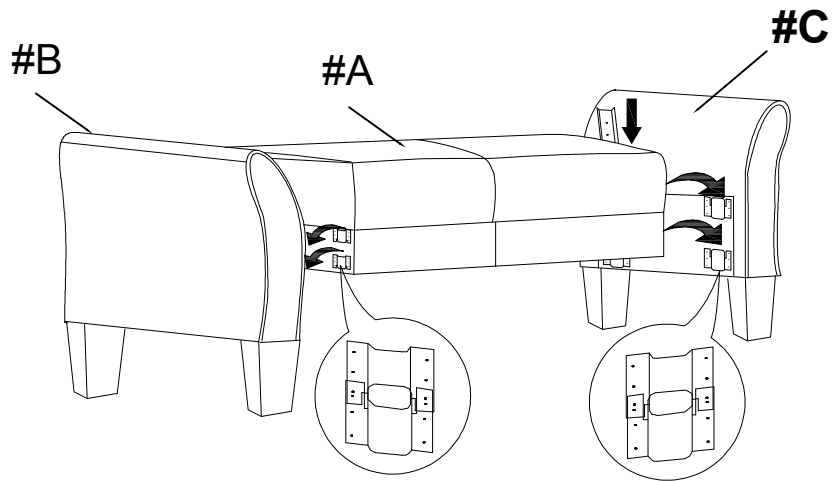
STEP 2:



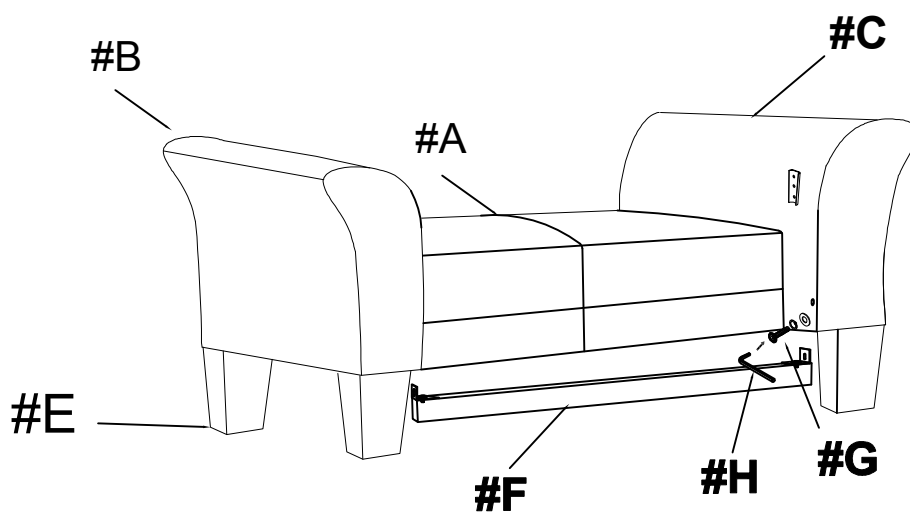
4PCS



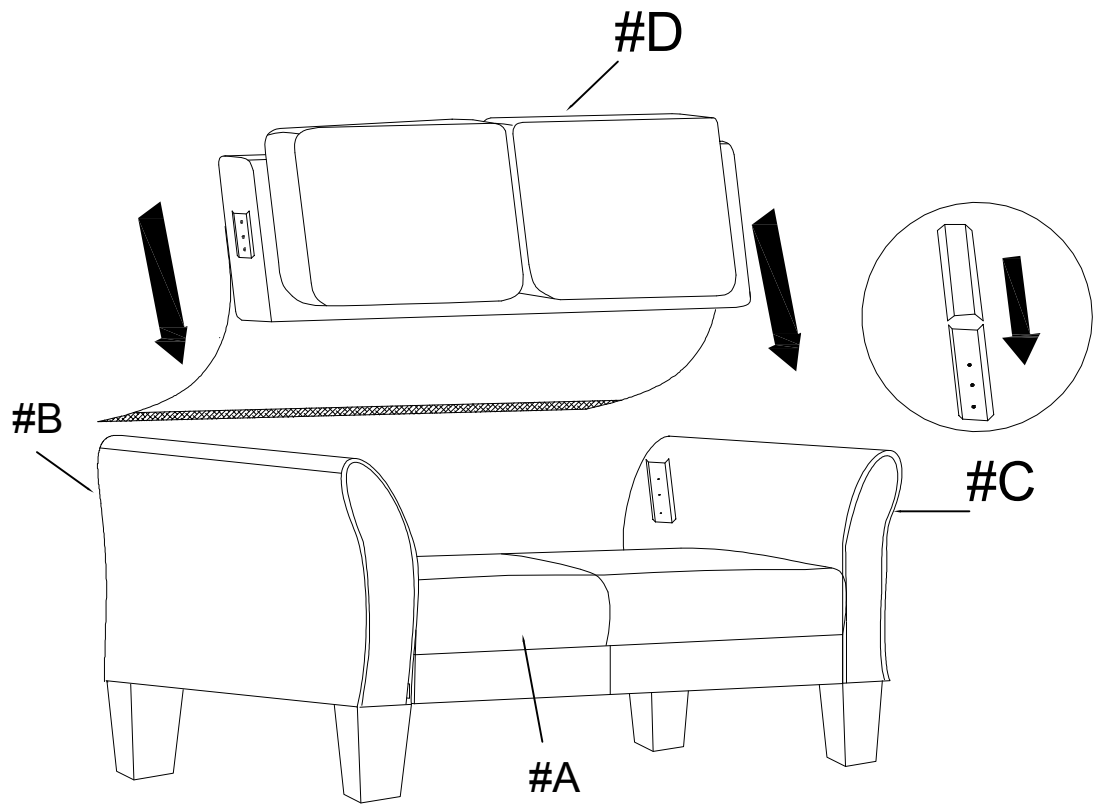
STEP 3:



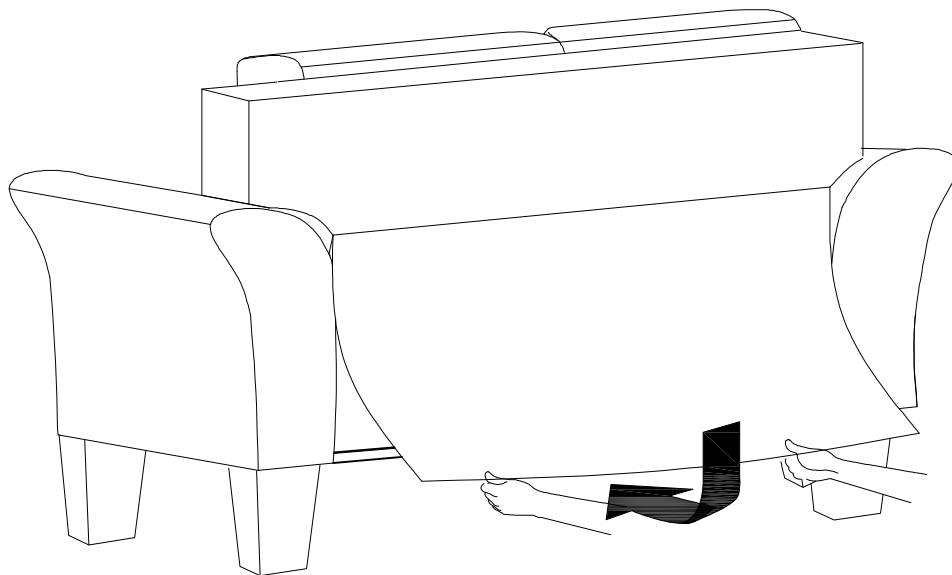
STEP 4:

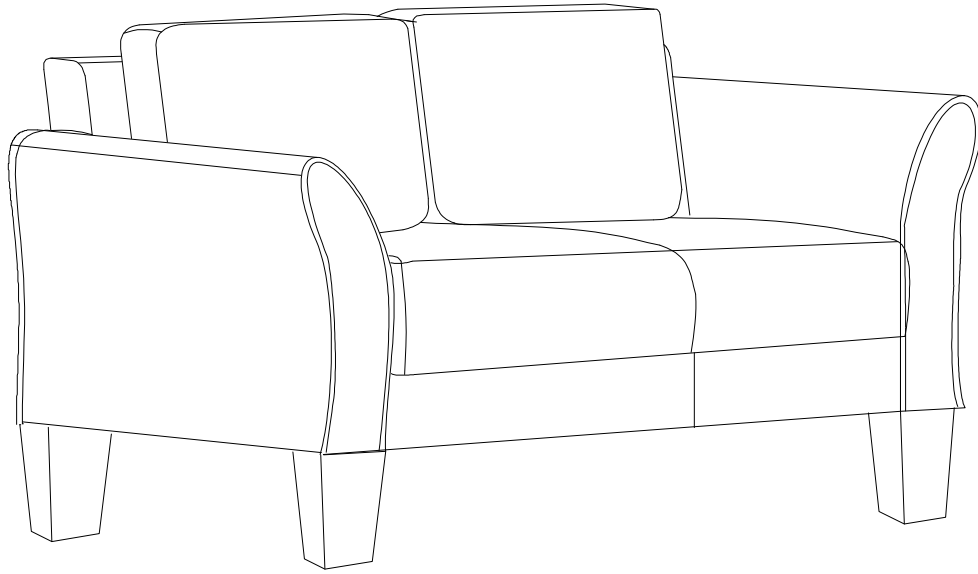


STEP 5:



STEP 6:





Care instruction for Linen - like furniture:

In order to maintain the original appearance of your Linen - like furniture, please follow below simple care procedures:

- Avoid exposing furniture directly to sunlight or heating or heating conditioning outlets. Sunlight and or exposure to heating and air conditioning outlets will fade/damage Linen - like .
- Do not place your upholstered furniture too close to windows, radiators, or vents, and be sure to use windows, radiators, or vents.
- Vacuum or wipe with a cloth regularly to remove dust.



For items used on wooden floor, hard surfaces or carpets, it is recommended to install protective pads under all legs and supports to avoid/prevent from damages/scratches and discoloration.

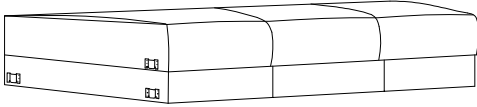
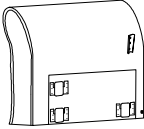
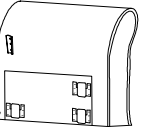
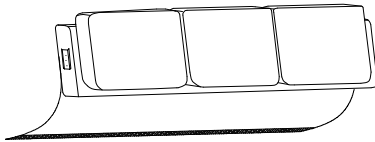




ASSEMBLY INSTRUCTION

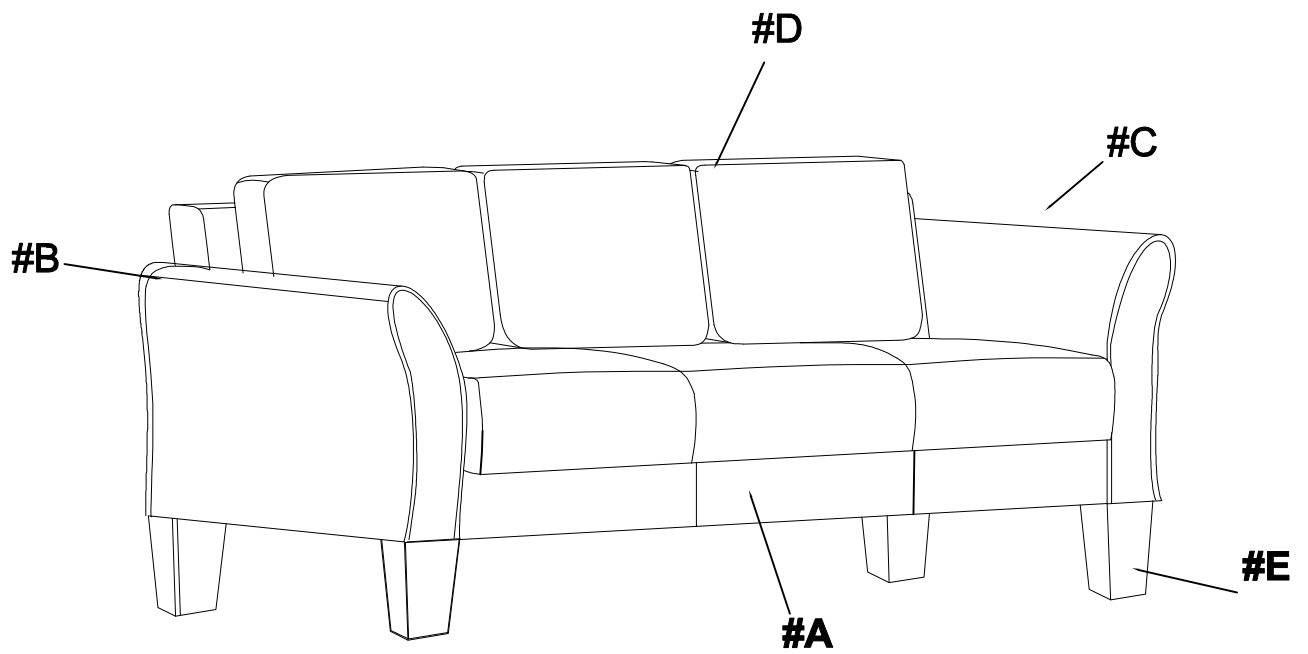
SOFA



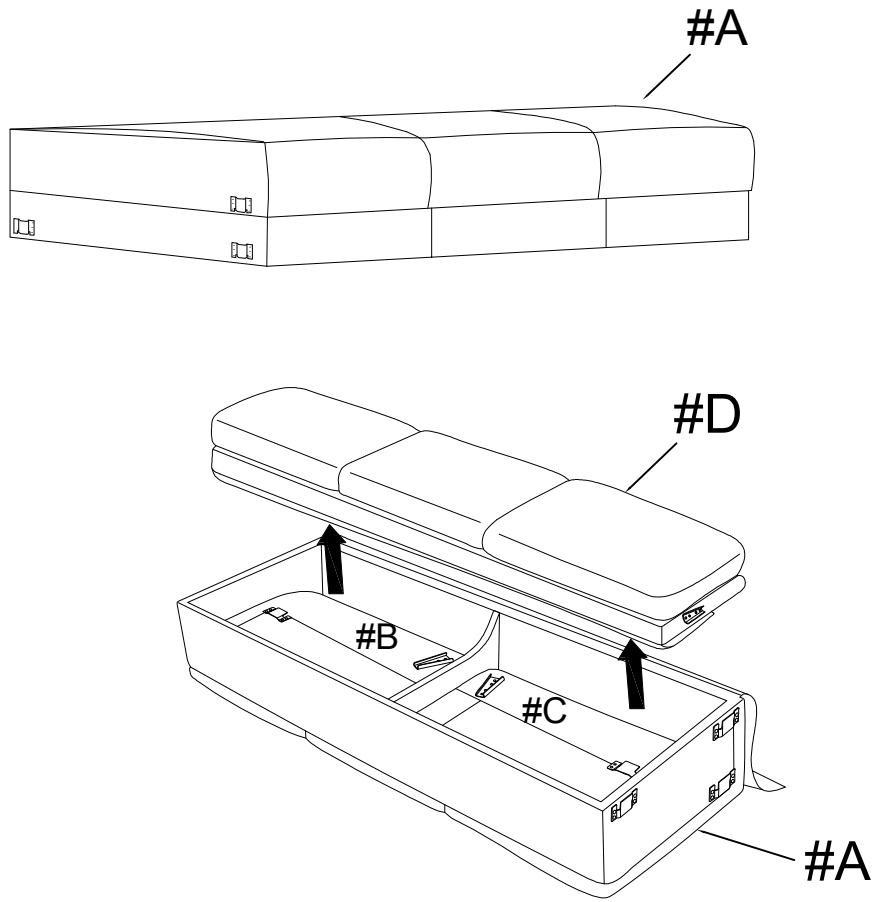
Back rest, arms and support bar are packed in the bottom of seat, Legs and hardware are stored in box, please take out for assembly.

NOTE: Do not use power tools for assembly. Power tools increase the risk of over tightening which lead to splitting or cracking the wood.

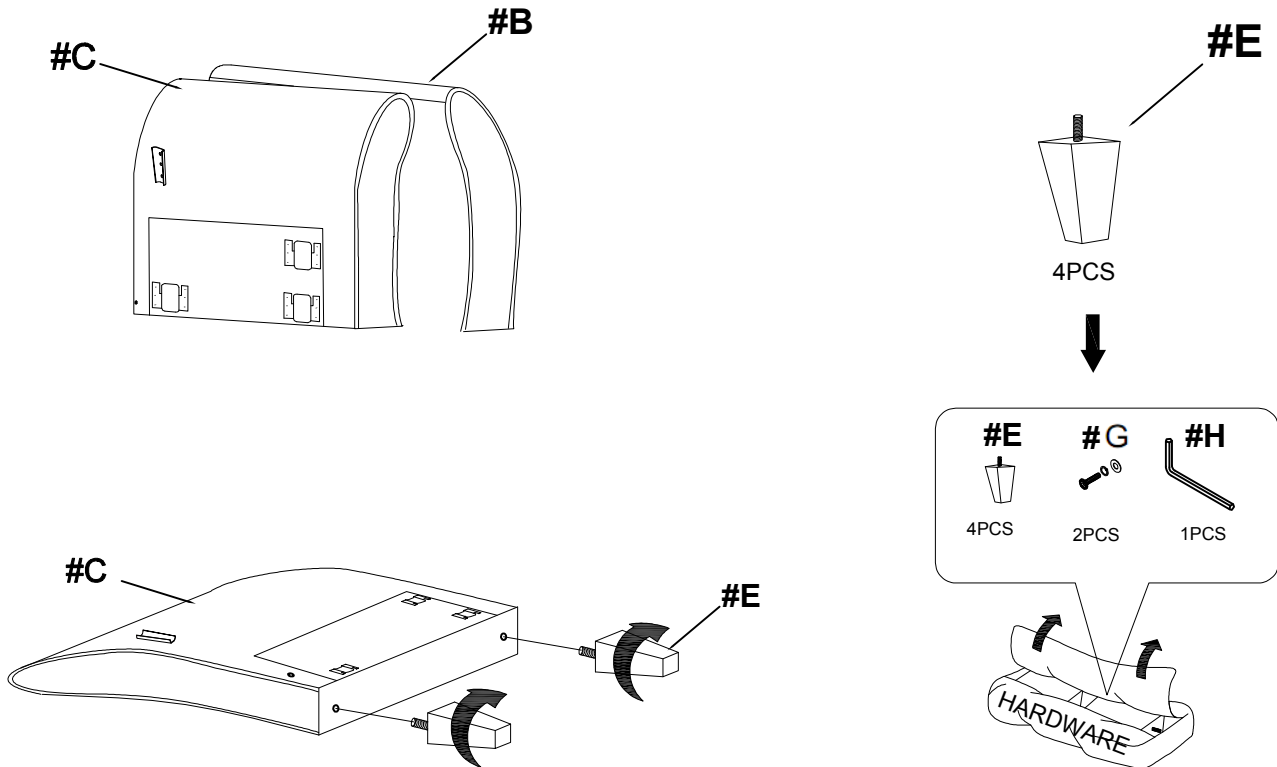
| NO. | DRAWING | QTY | DESCRIPTION |
|-----|---|-----|--------------------------------|
| A |  | 1 | Seat |
| B |  | 1 | LSF Armrest |
| C |  | 1 | RSF Armrest |
| D |  | 1 | Back rest |
| E |  | 4 | Plastic Leg |
| F |  | 1 | Support bar |
| G |  | 2 | Bolts + Spring washer + Washer |
| H |  | 1 | Allen key |



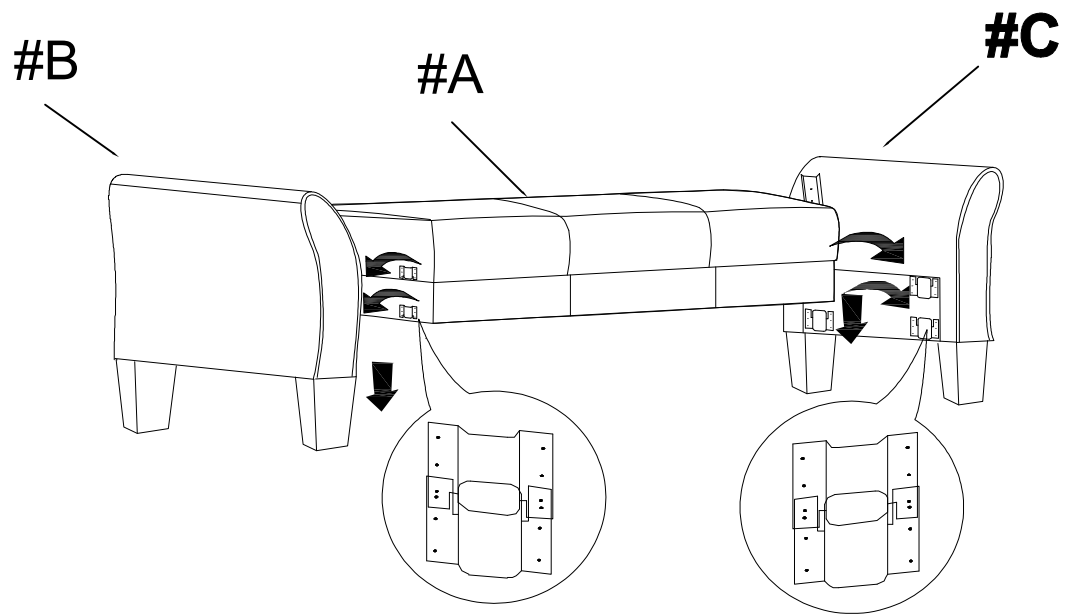
STEP 1:



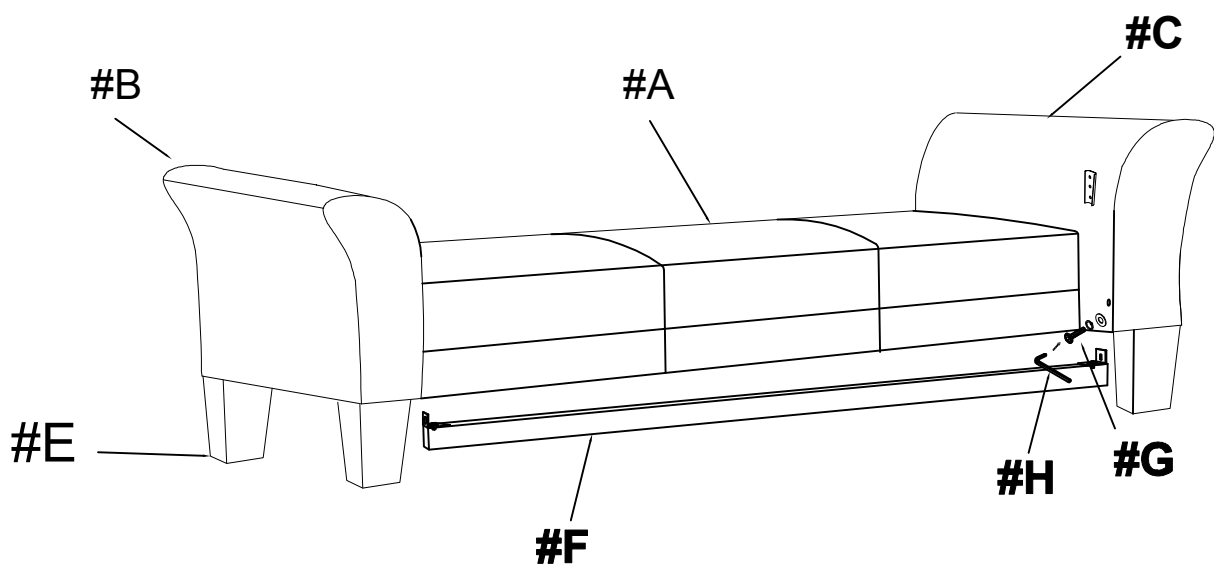
STEP 2:



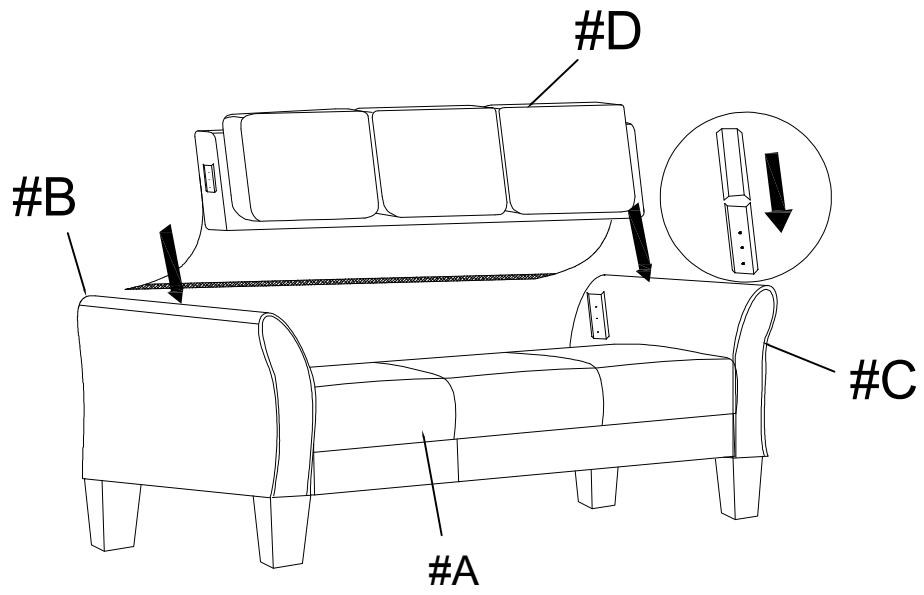
STEP 3:



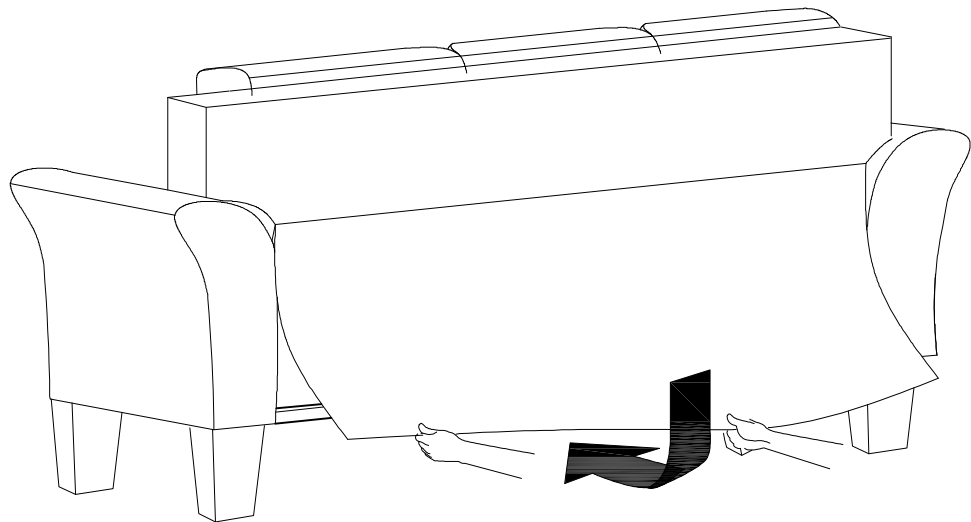
STEP 4:

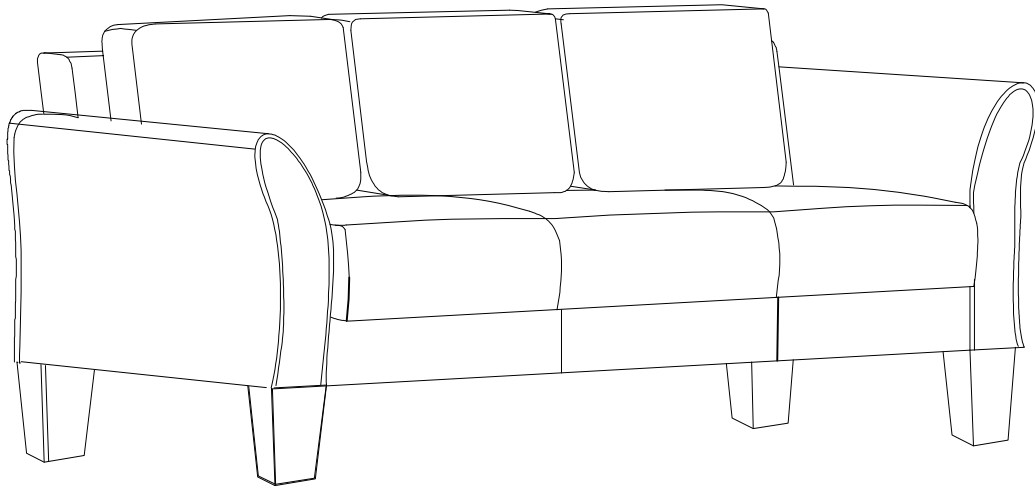


STEP 5:



STEP 6:





Care instruction for Linen - like furniture:

In order to maintain the original appearance of your Linen - like furniture, please follow below simple care procedures:

- Avoid exposing furniture directly to sunlight or heating or heating conditioning outlets. Sunlight and or exposure to heating and air conditioning outlets will fade/damage Linen - like .
- Do not place your upholstered furniture too close to windows, radiators, or vents, and be sure to use windows, radiators, or vents.
- Vacuum or wipe with a cloth regularly to remove dust.



For items used on wooden floor, hard surfaces or carpets, it is recommended to install protective pads under all legs and supports to avoid/prevent from damages/scratches and discoloration.