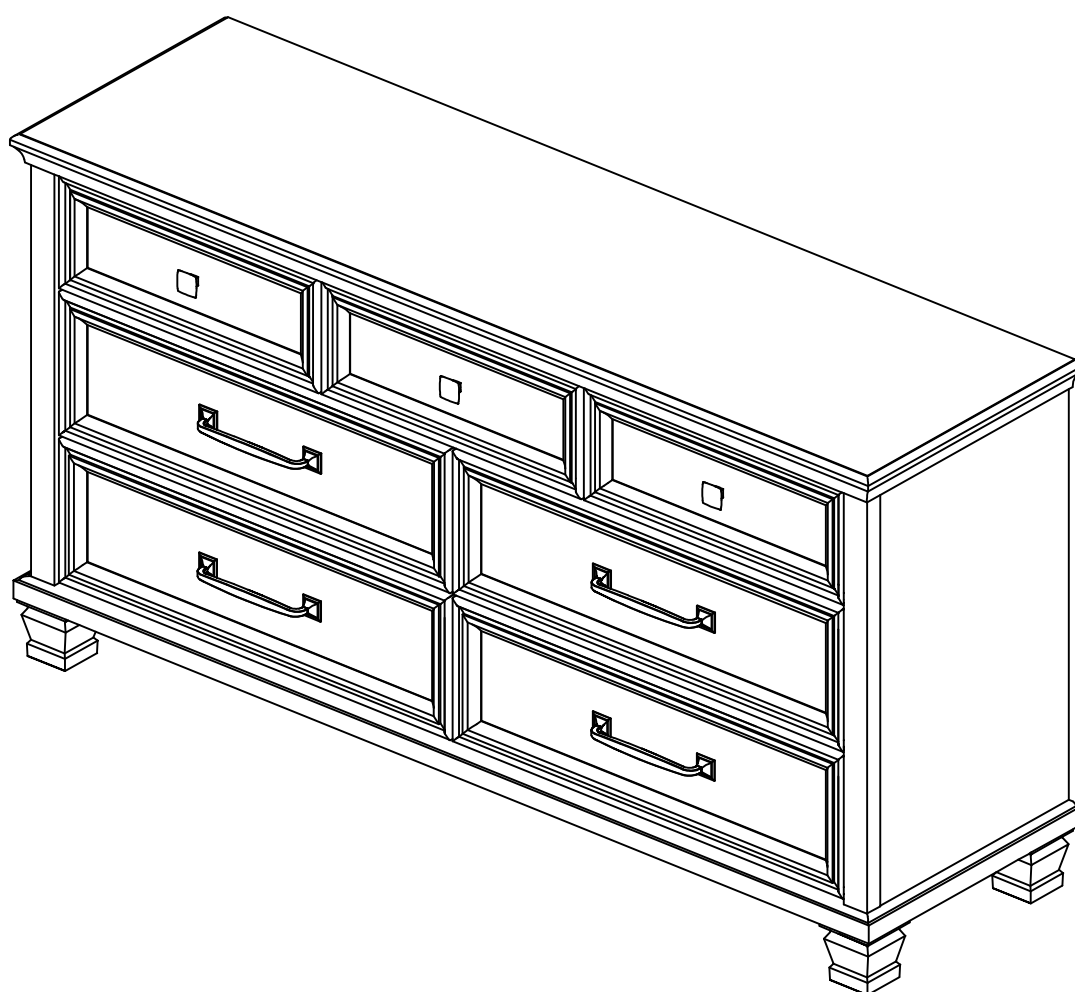


# Assembly Instructions



# BEFORE STARTING

## Before Using Product

Read each step carefully before starting. It is very important that each step is performed in the correct order. If these steps are not followed in sequence, assembly difficulties will occur.

Make sure all parts are included.

Work in a spacious area and near where the unit will be used, preferably on a carpet, or use a piece of the cardboard packaging to protect your floor and product.

For a smooth assembly process, we suggest you keep a lite tightness for all the screws during assembly. After the whole product is assembled, firmly tighten all the screws.

## **WARNING**

Do not allow children to climb on unit.

Avoid sharp objects or corrosive chemicals to prevent damage to the product.

During assembly, keep parts and packaging materials away from children and pets as there could be potential injury and choking hazards.

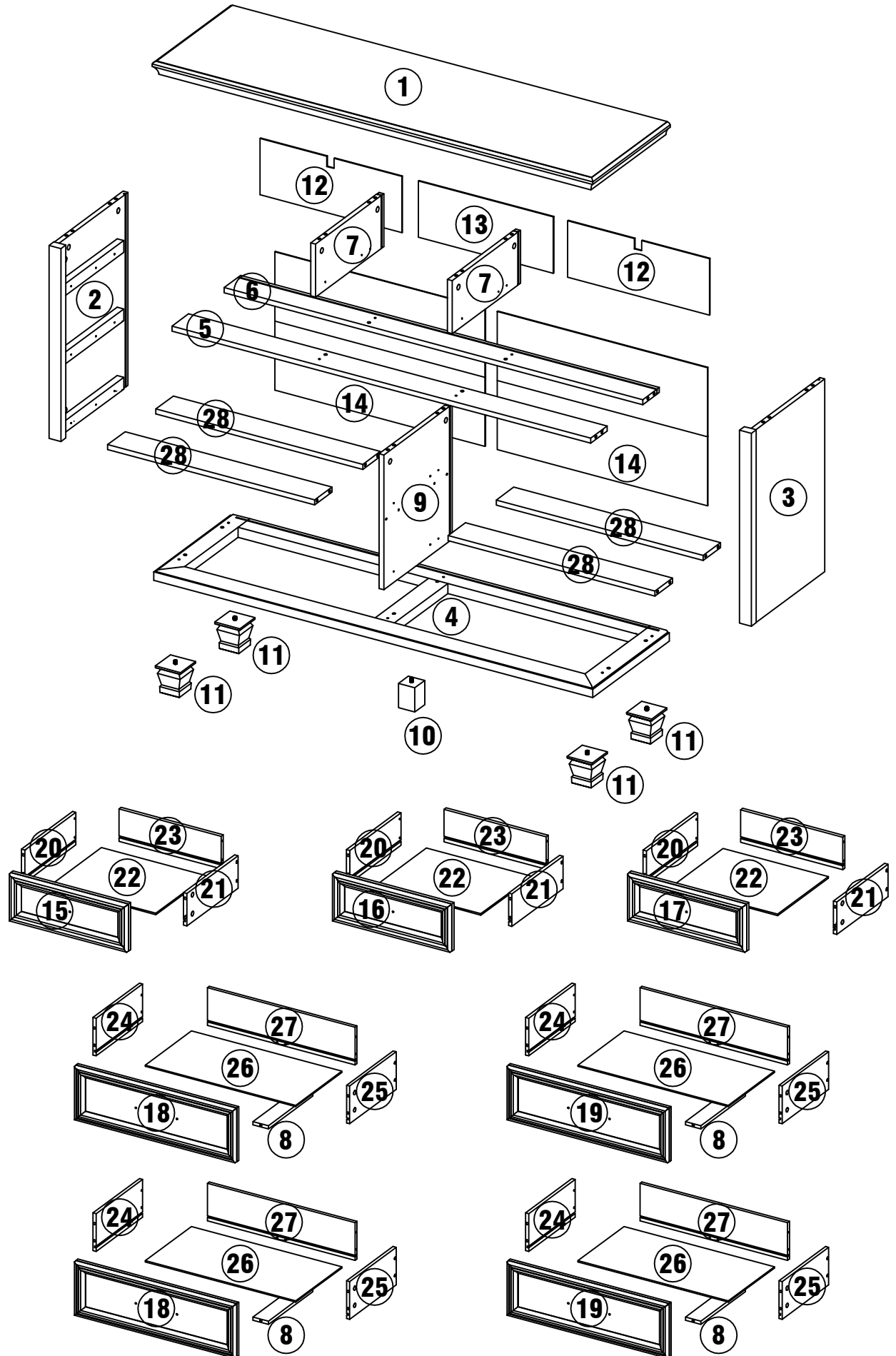
Please make sure that all objects are removed before moving the assembled unit.

The unit must be team lifted, not dragged or pushed. Failure to do so could cause instability, product collapse, and/or serious injury.


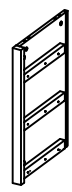
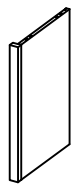
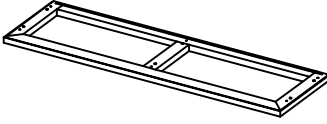
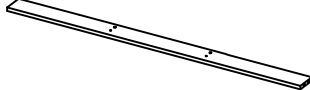

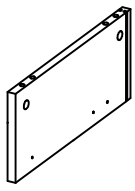
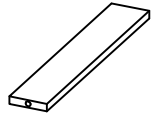
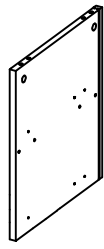
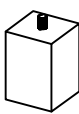

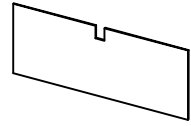
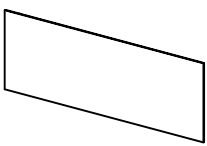
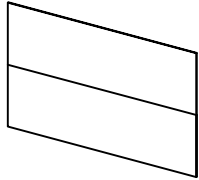
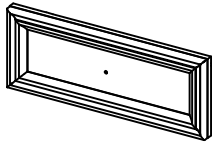
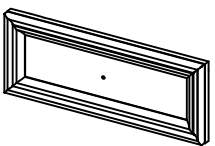
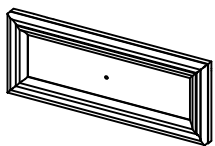
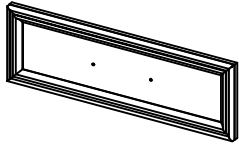
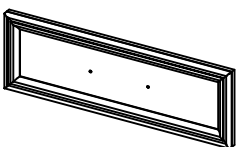
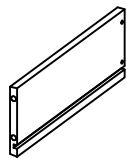
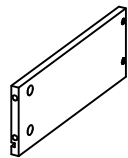
Be careful when using power tools to assemble your furniture.

Power tools may strip or damage the parts.

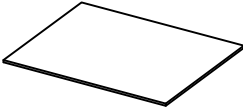
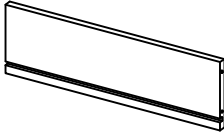
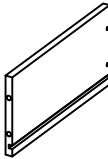
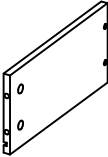
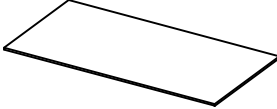

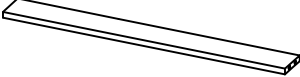
# PART LIST




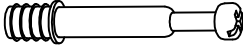

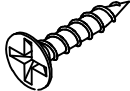
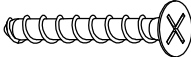
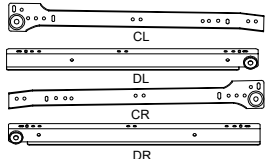
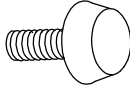
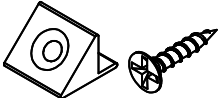


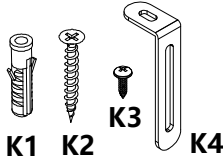
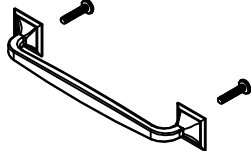
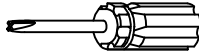
# PART LIST

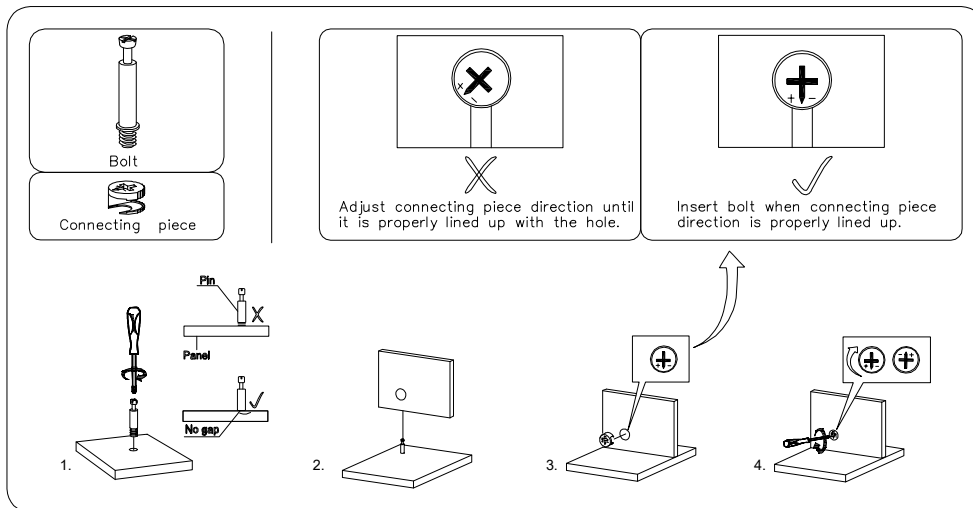
<p>①</p>  <p>1 pc</p>	<p>②</p>  <p>1 pc</p>	<p>③</p>  <p>1 pc</p>
<p>④</p>  <p>1 pc</p>	<p>⑤</p>  <p>1 pc</p>	<p>⑥</p>  <p>1 pc</p>
<p>⑦</p>  <p>2 pcs</p>	<p>⑧</p>  <p>4 pcs</p>	<p>⑨</p>  <p>1 pc</p>
<p>⑩</p>  <p>1 pc</p>	<p>⑪</p>  <p>4 pcs</p>	<p>⑫</p>  <p>2 pcs</p>
<p>⑬</p>  <p>1 pc</p>	<p>⑭</p>  <p>2 pcs</p>	<p>⑮</p>  <p>1 pc</p>
<p>⑯</p>  <p>1 pc</p>	<p>⑰</p>  <p>1 pc</p>	<p>⑱</p>  <p>2 pcs</p>
<p>⑲</p>  <p>2 pcs</p>	<p>⑳</p>  <p>3 pcs</p>	<p>㉑</p>  <p>3 pcs</p>

# PART LIST

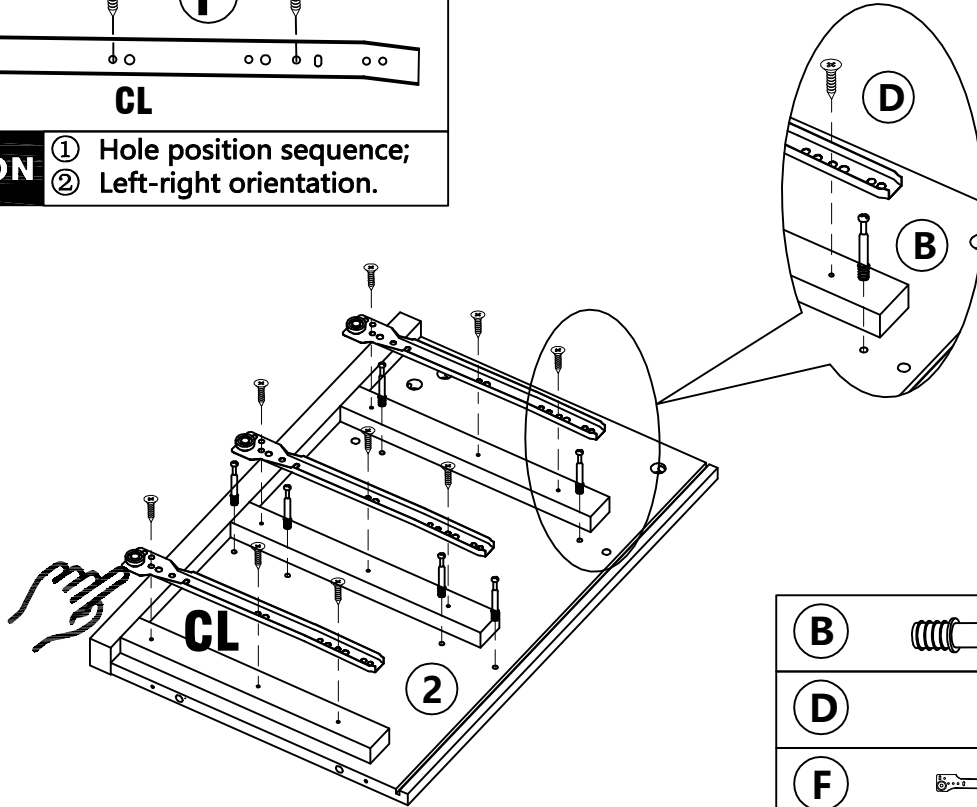
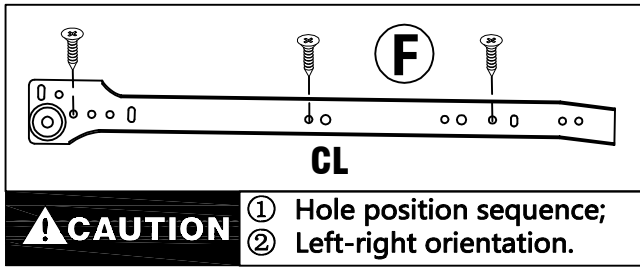
<p><b>22</b></p>  <p><b>3 pcs</b></p>	<p><b>23</b></p>  <p><b>3 pcs</b></p>	<p><b>24</b></p>  <p><b>4 pcs</b></p>
<p><b>25</b></p>  <p><b>4 pcs</b></p>	<p><b>26</b></p>  <p><b>4 pcs</b></p>	<p><b>27</b></p>  <p><b>4 pcs</b></p>
<p><b>28</b></p>  <p><b>4 pcs</b></p>		

# HARDWARE LIST

<p><b>A X24+2</b></p>  <p>Ø 8X30MM</p>	<p><b>B X62+2</b></p>  <p>Ø 6X40MM</p>	<p><b>C X62+2</b></p>  <p>Ø 15X10MM</p>
<p><b>D X84+2</b></p>  <p>Ø 3X12MM</p>	<p><b>E X10+1</b></p>  <p>Ø 4X50MM</p>	<p><b>F X7</b></p> 
<p><b>G X1</b></p> 	<p><b>H X10</b></p> 	<p><b>I X3</b></p> 
<p><b>J X36+2</b></p>  <p>Ø 4X35MM</p>	<p><b>K X2</b></p> 	<p><b>L X4</b></p> 
		

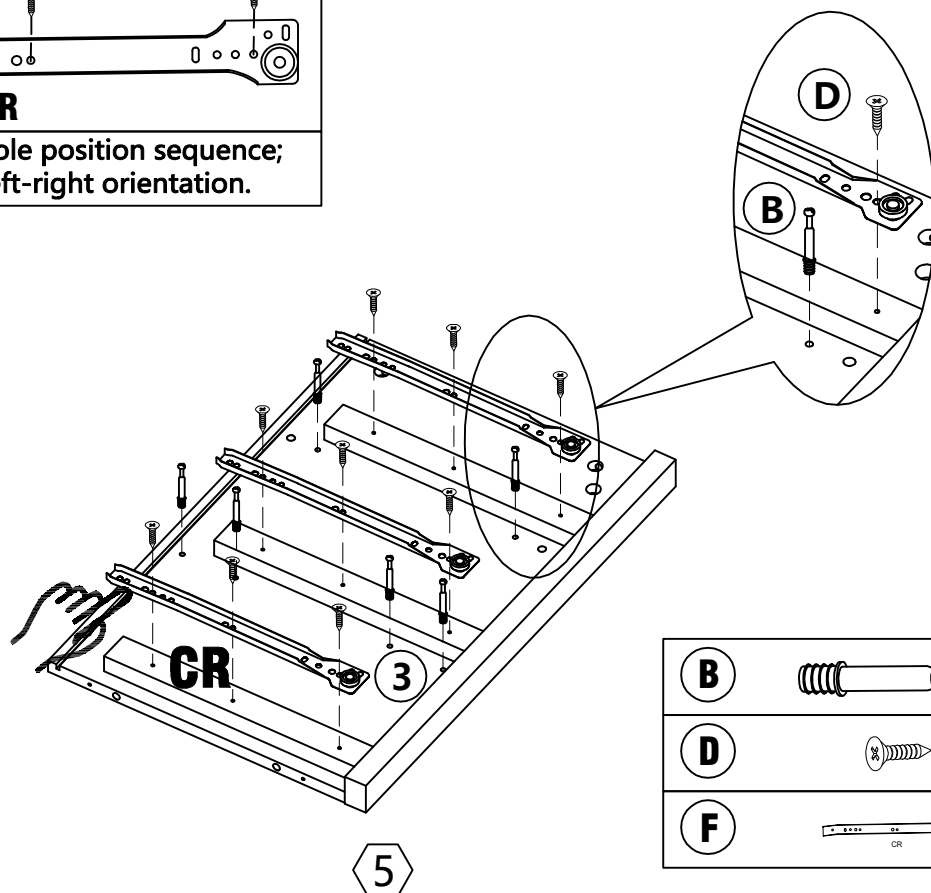
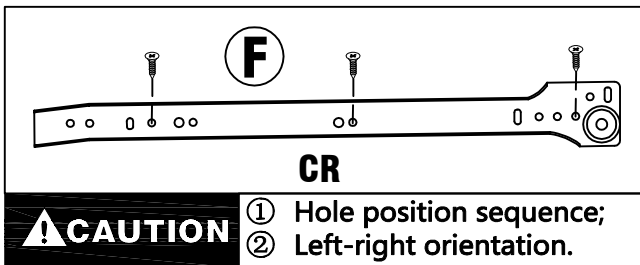


# STEP 1



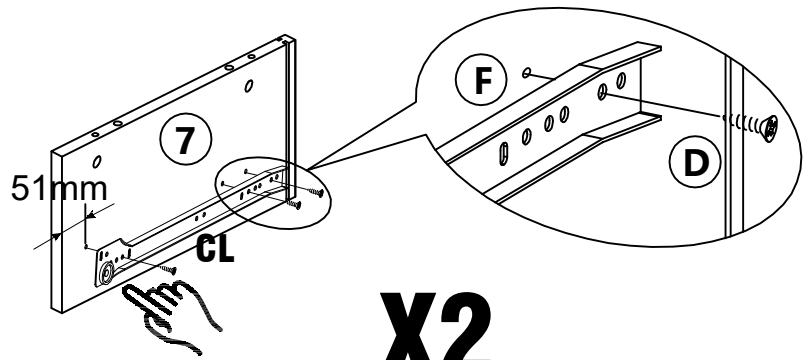
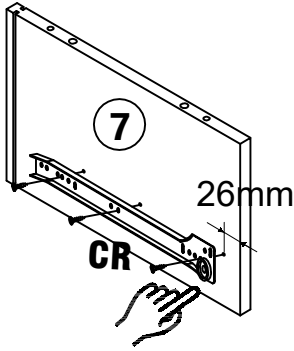
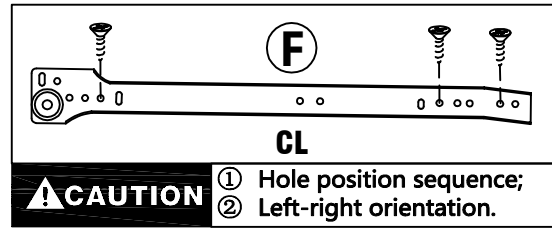
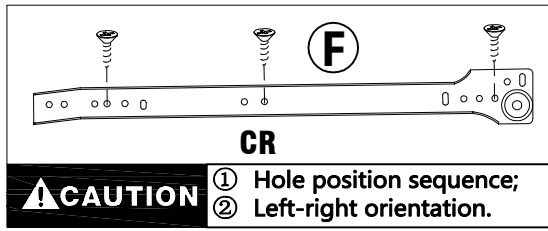
<b>B</b>		<b>X6</b>
<b>D</b>		<b>X9</b>
<b>F</b>		<b>X3</b>

# STEP 2



<b>B</b>		<b>X6</b>
<b>D</b>		<b>X9</b>
<b>F</b>		<b>X3</b>

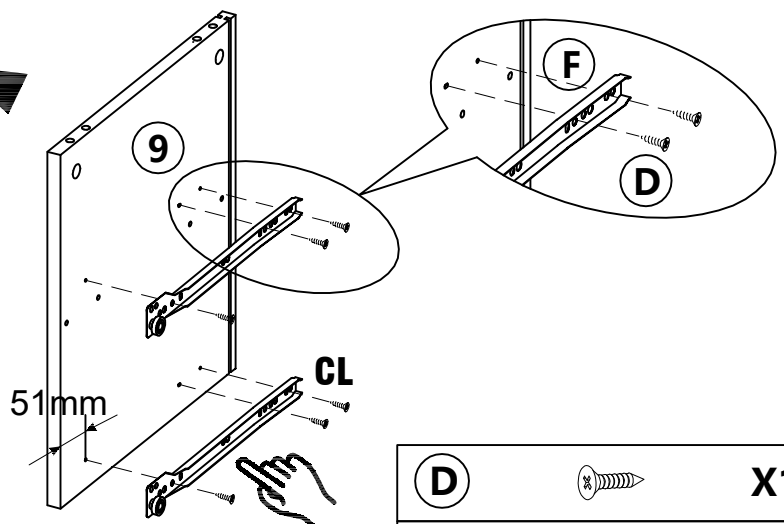
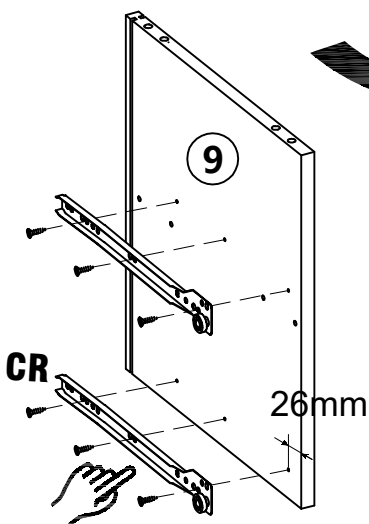
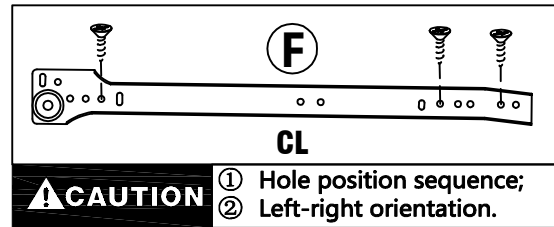
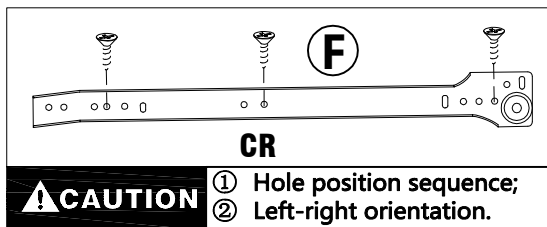
# STEP 3



**X2**

D		X12
F		X2

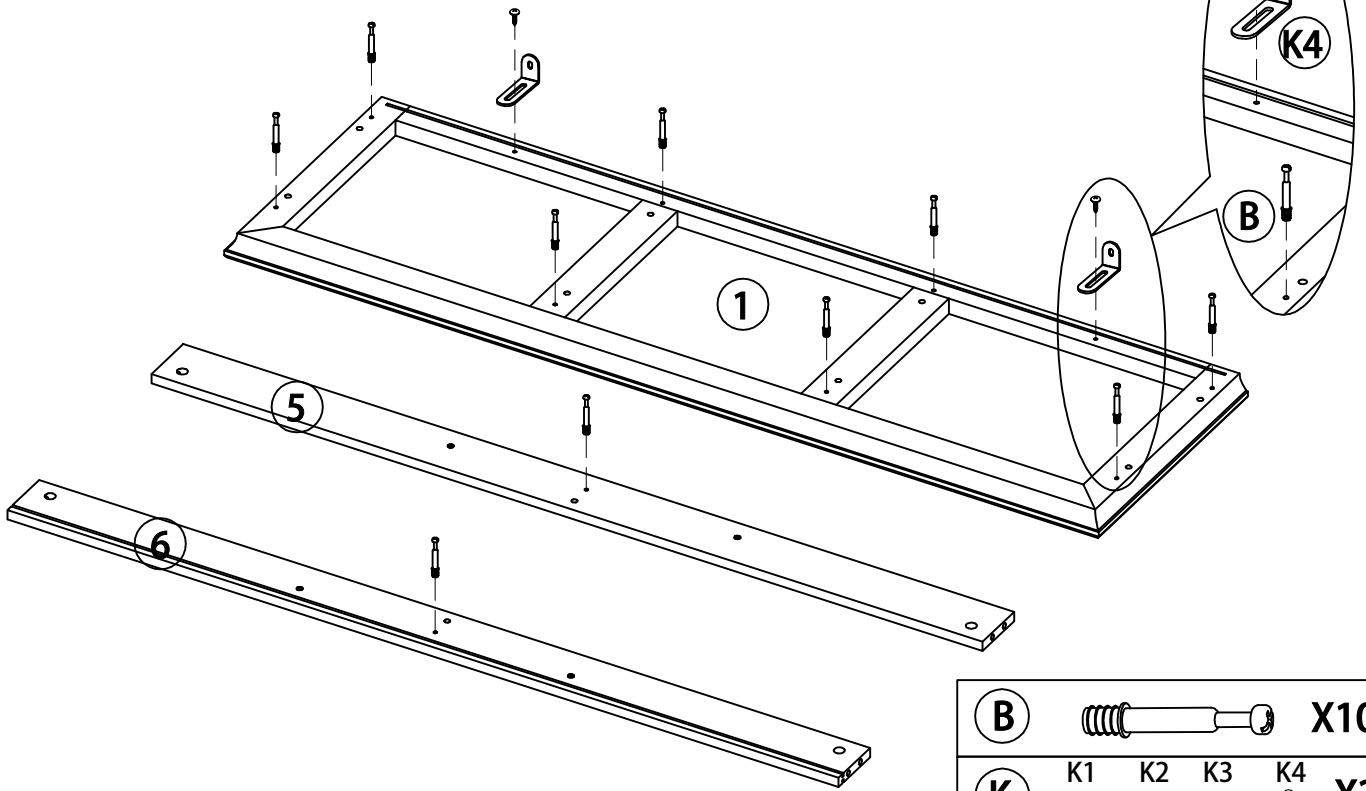
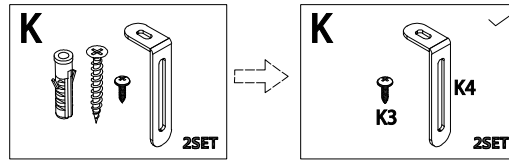
# STEP 4



6

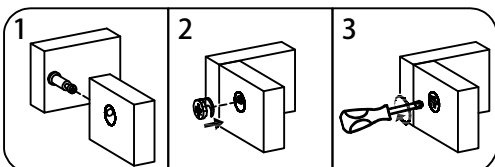
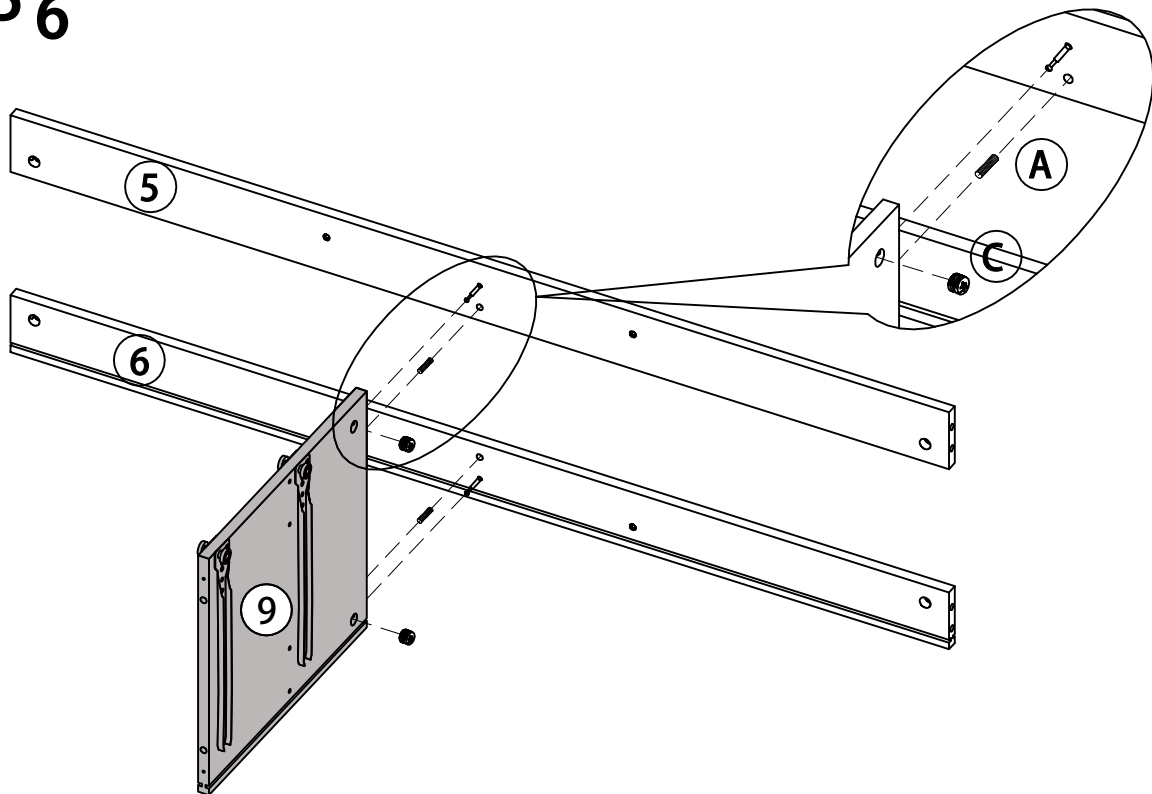
D		X12
F		X2

# STEP 5



<b>B</b>		<b>X10</b>
<b>K</b>		<b>X2</b>

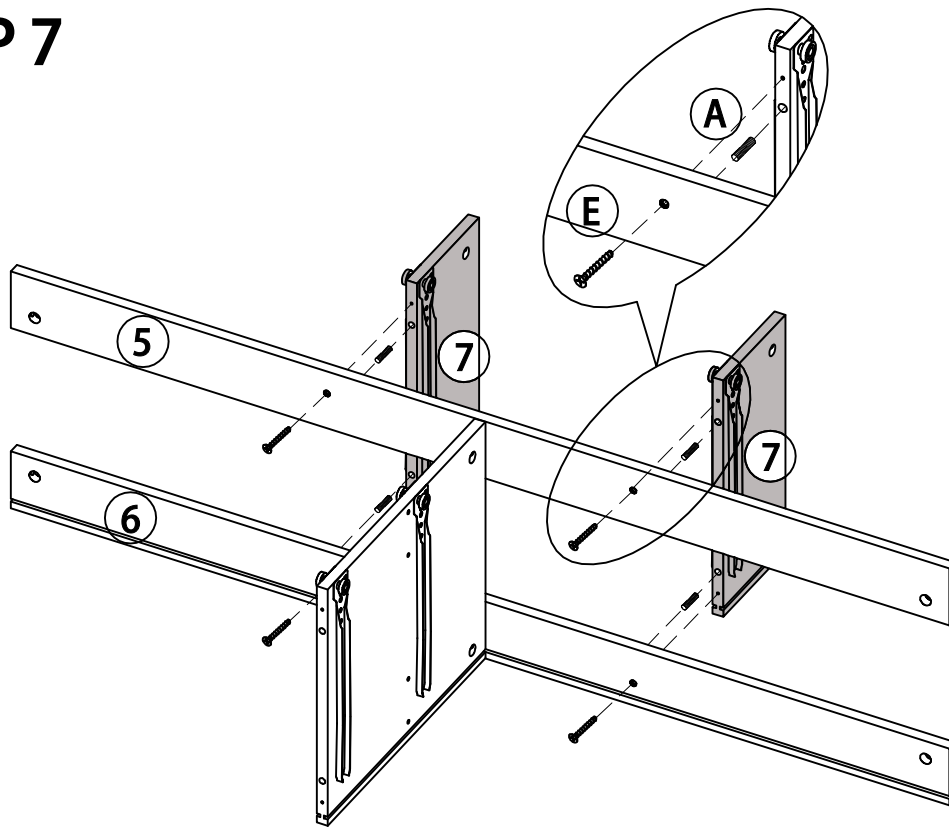
# STEP 6


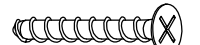


7

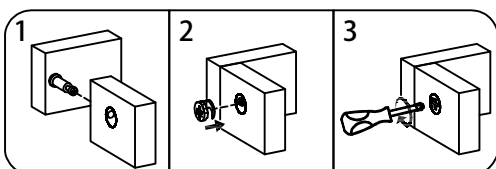
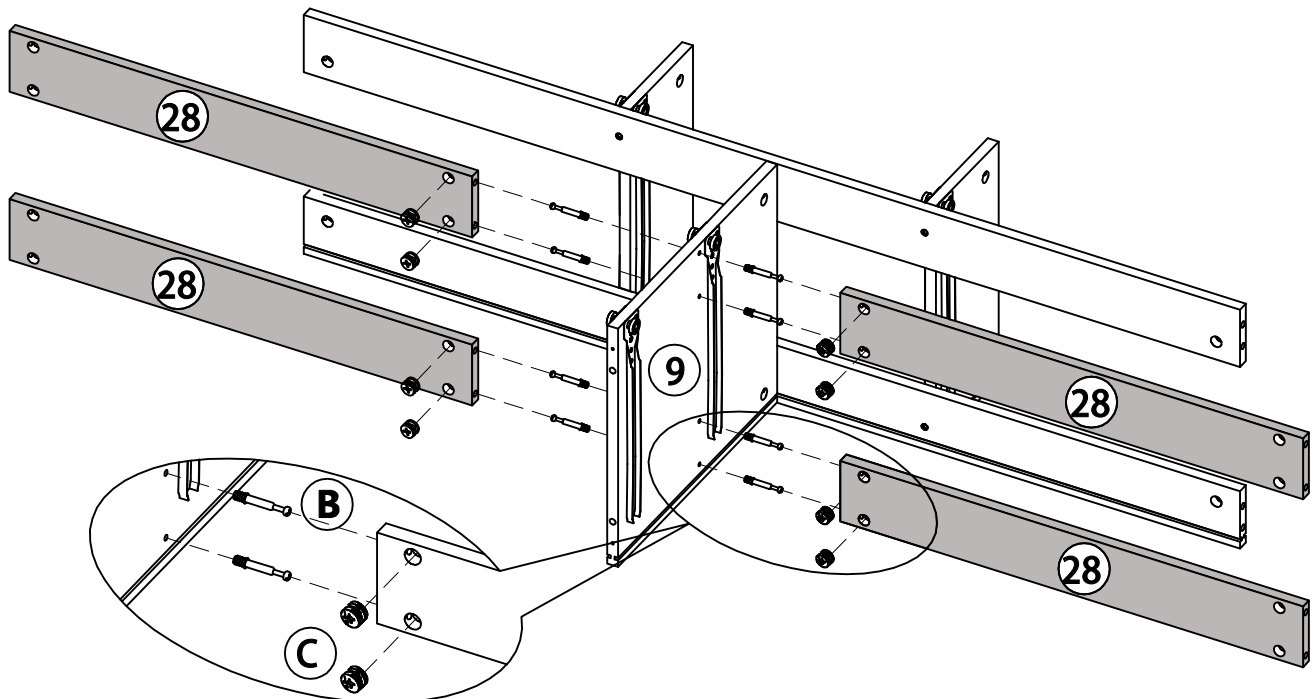
<b>A</b>		<b>X2</b>
<b>C</b>		<b>X2</b>

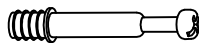

# STEP 7



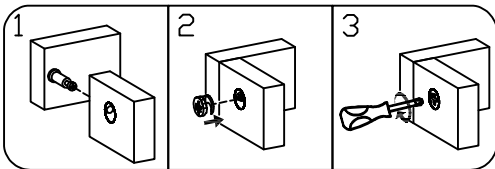
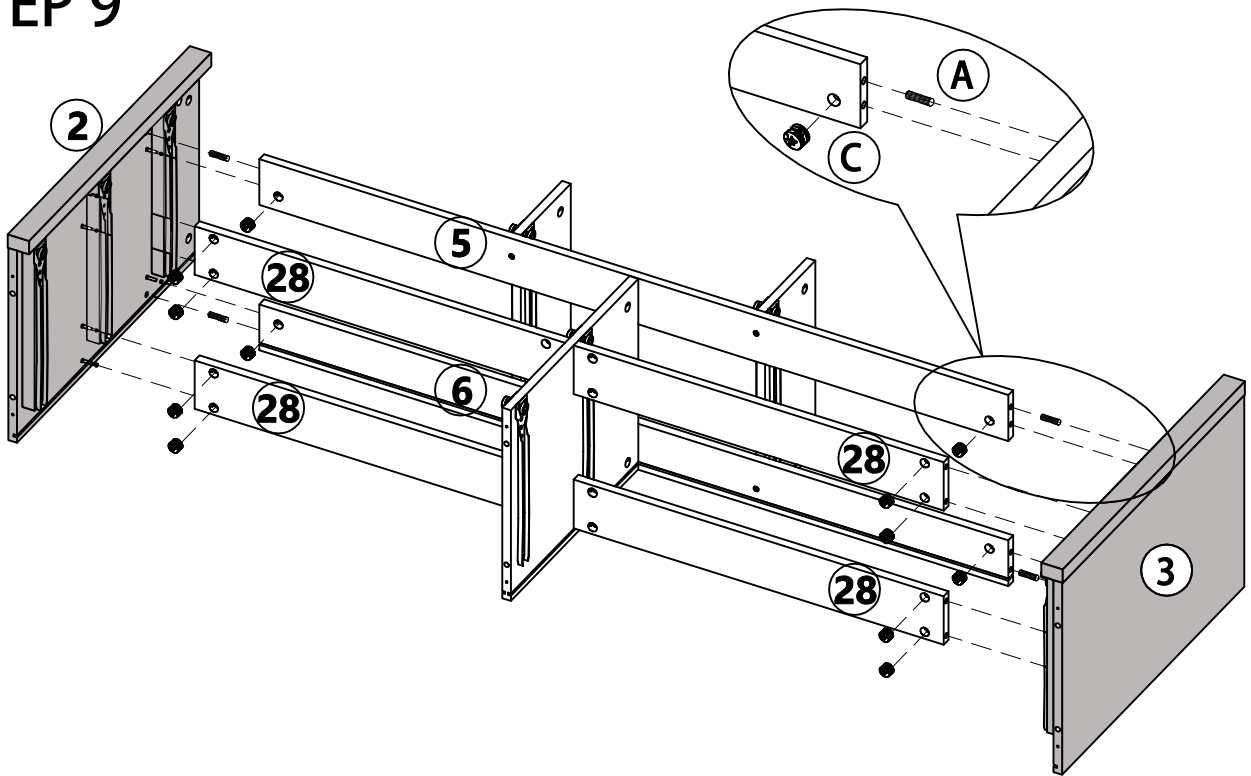
<b>A</b>		<b>X4</b>
<b>E</b>		<b>X4</b>



# STEP 8



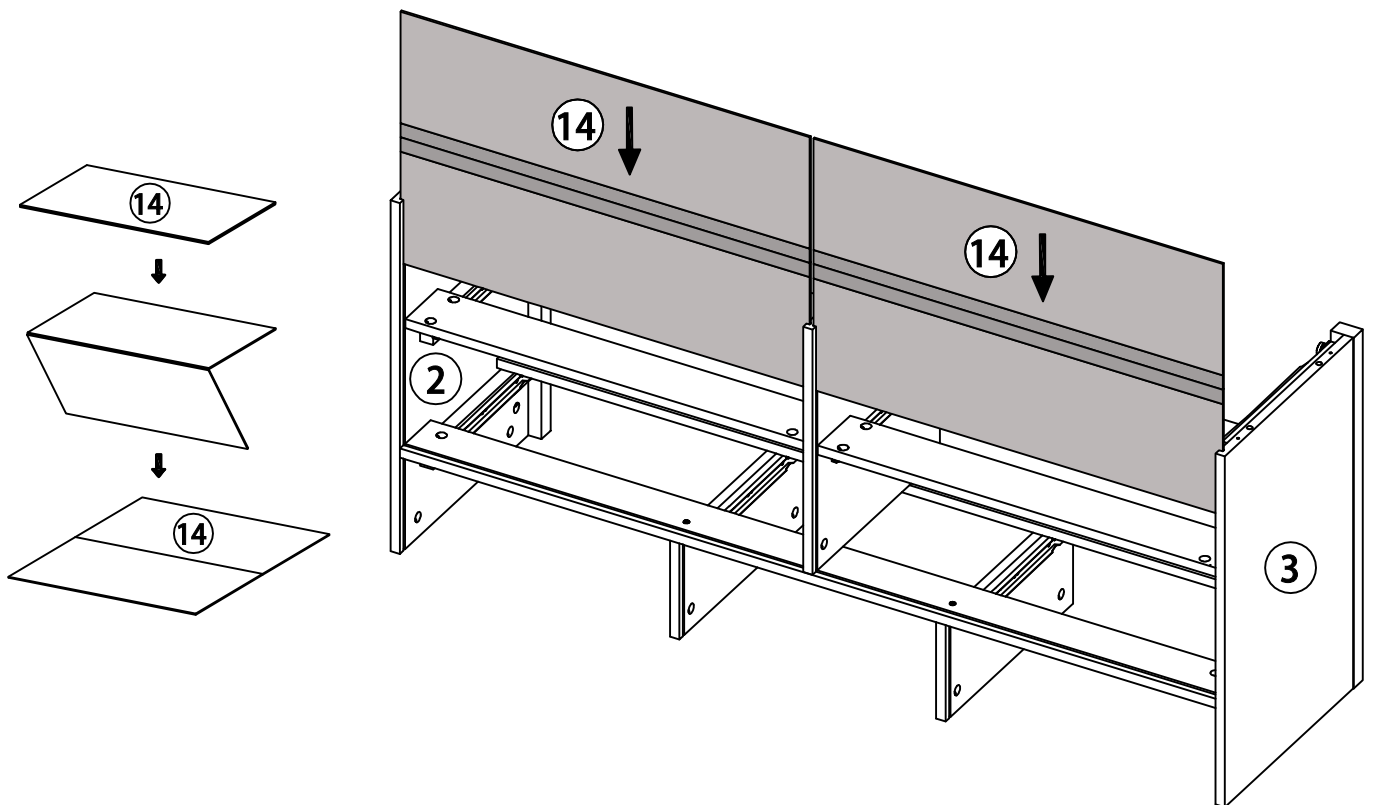
<b>B</b>		<b>X8</b>
<b>C</b>		<b>X8</b>

# STEP 9

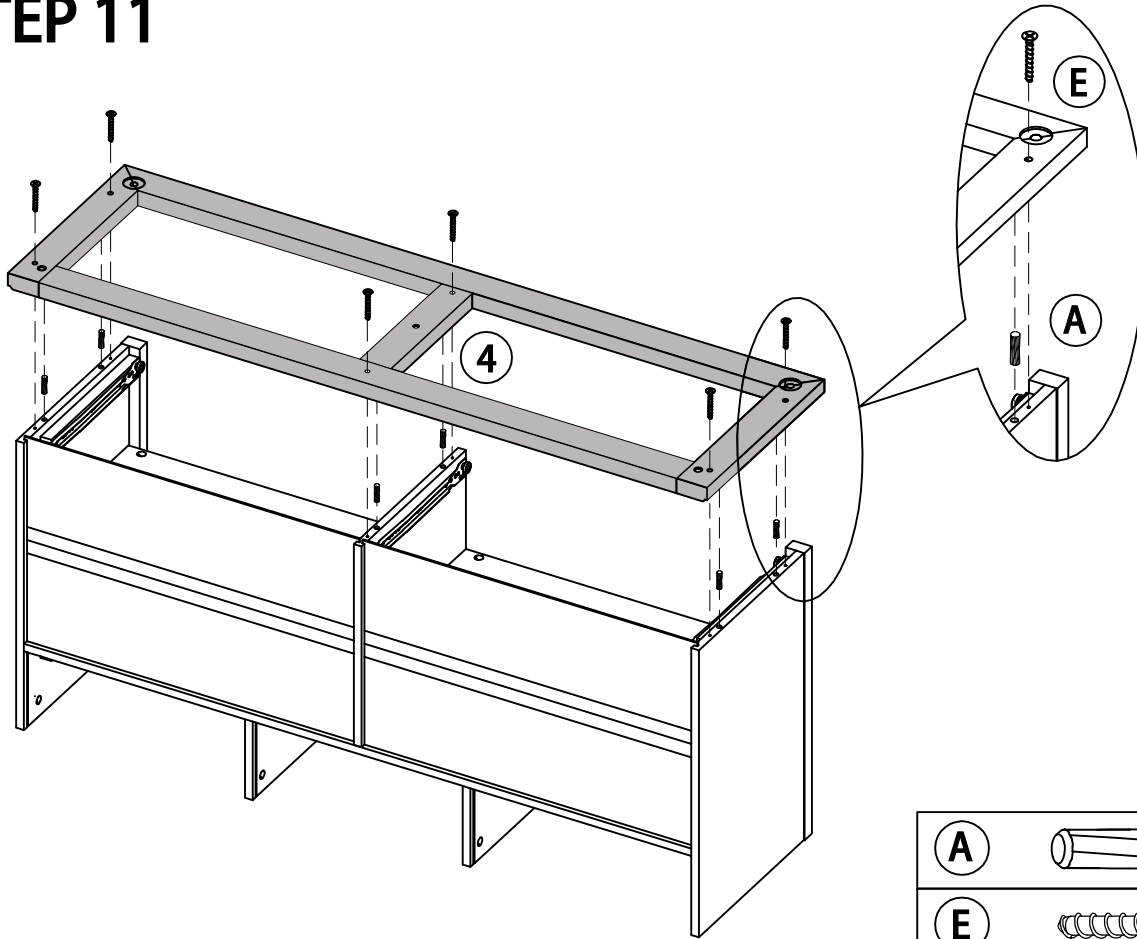


A		X4
C		X12

# STEP 10



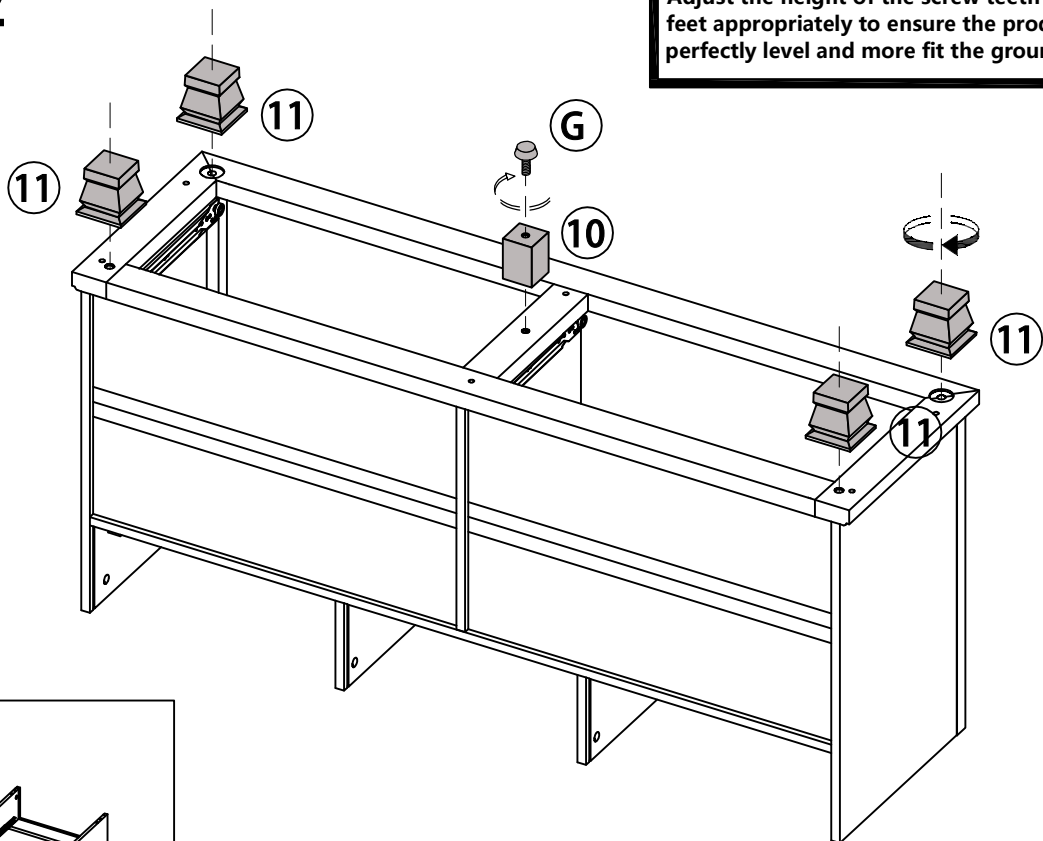
# STEP 11



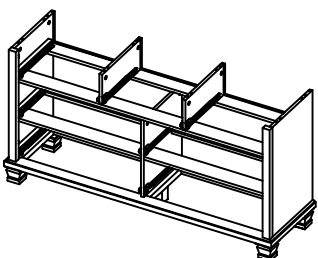
<b>A</b>		X6
<b>E</b>		X6

# STEP 12

Adjust the height of the screw teeth on the middle feet appropriately to ensure the product remains perfectly level and more fit the ground.

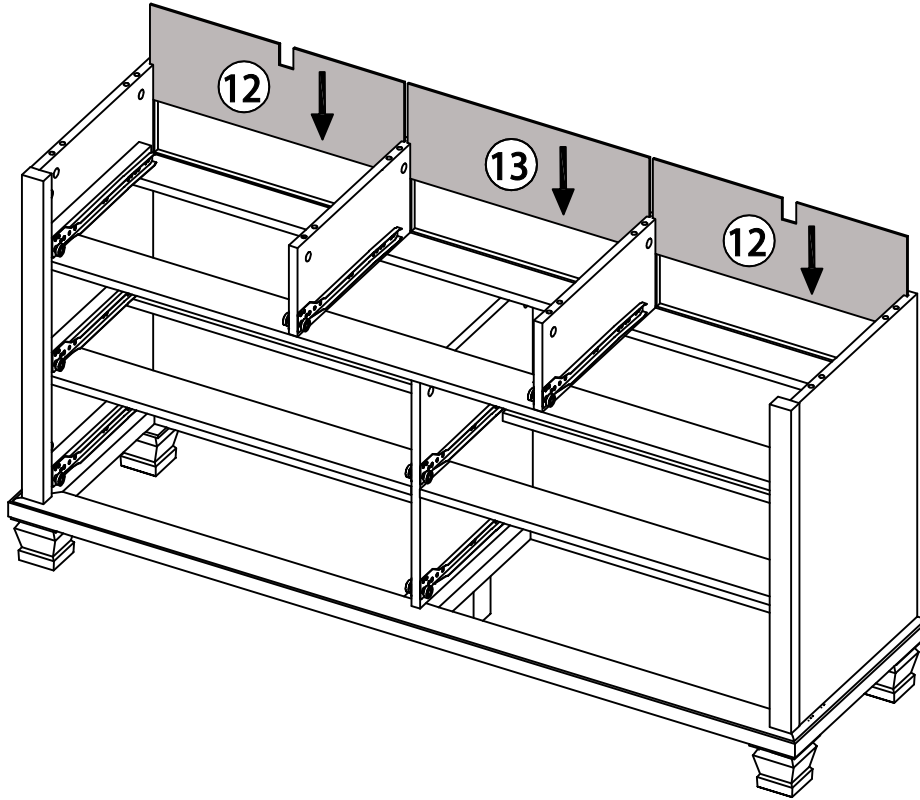


<b>G</b>		X1
----------	--	----



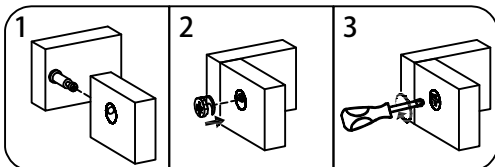
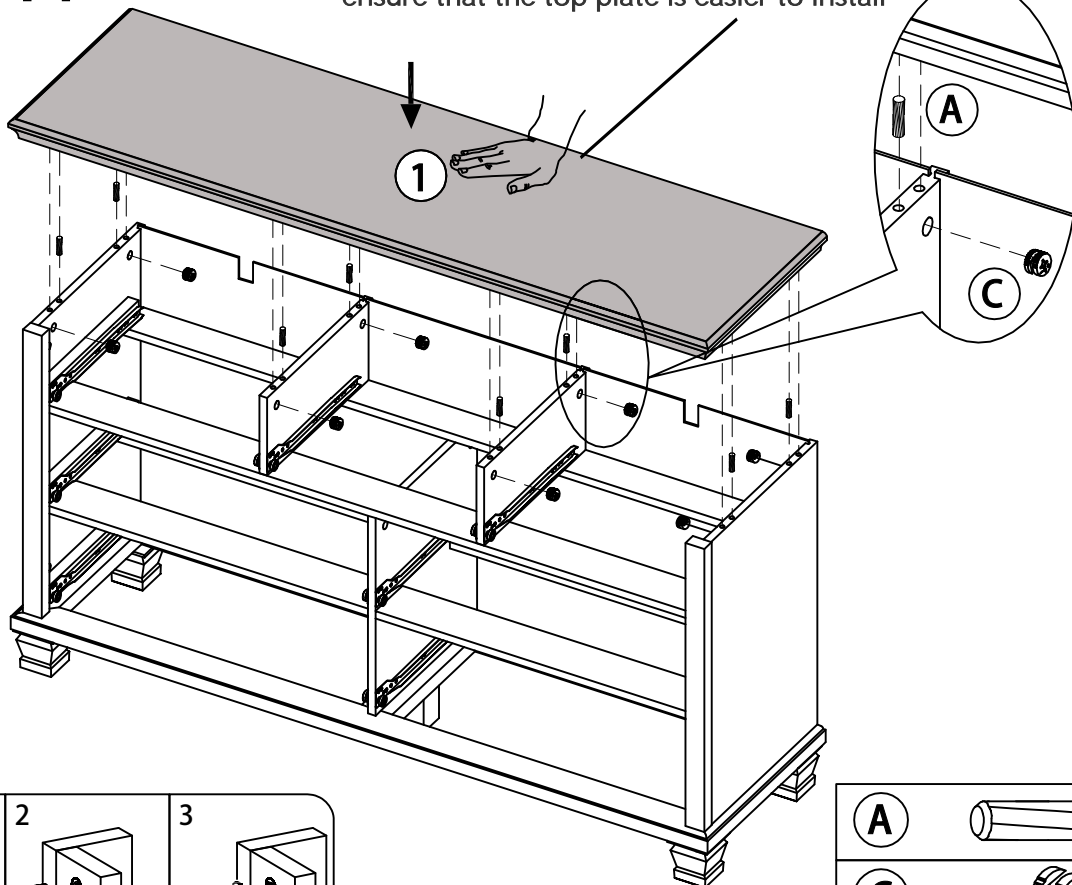
10

# STEP 13

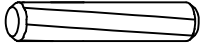



# STEP 14

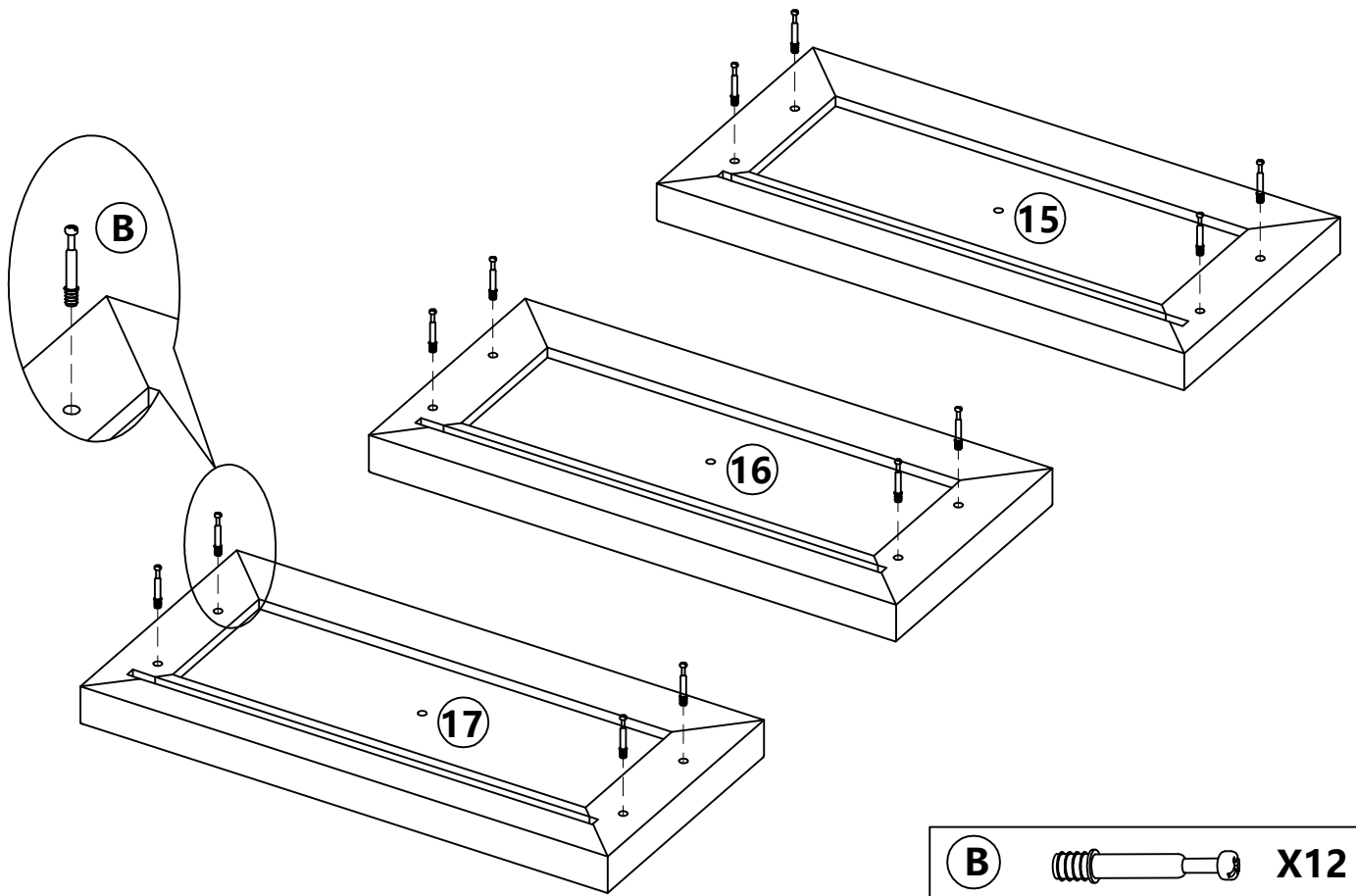
Press down with your palm firmly to ensure that the top plate is easier to install



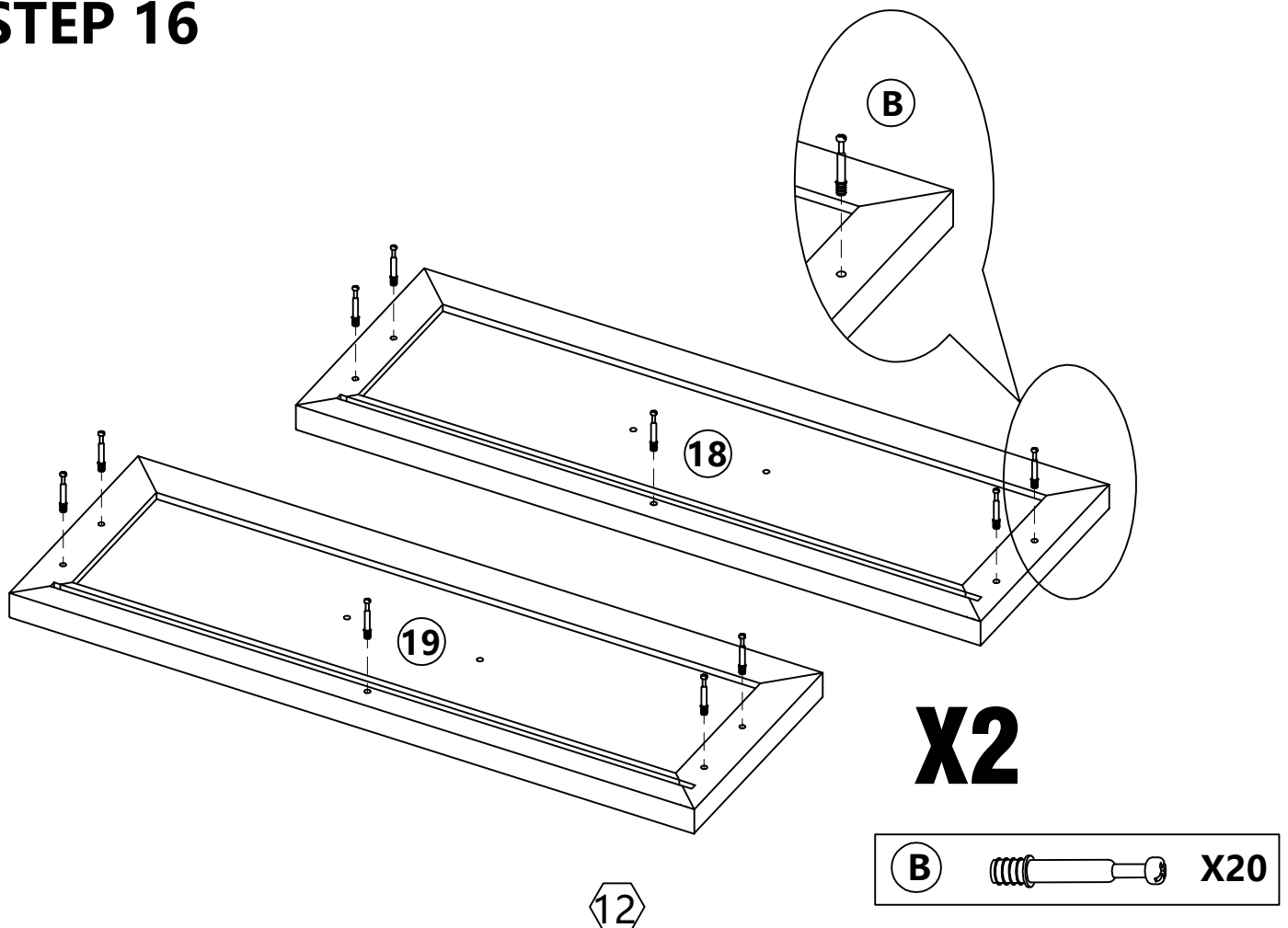
11

A		X8
C		X8

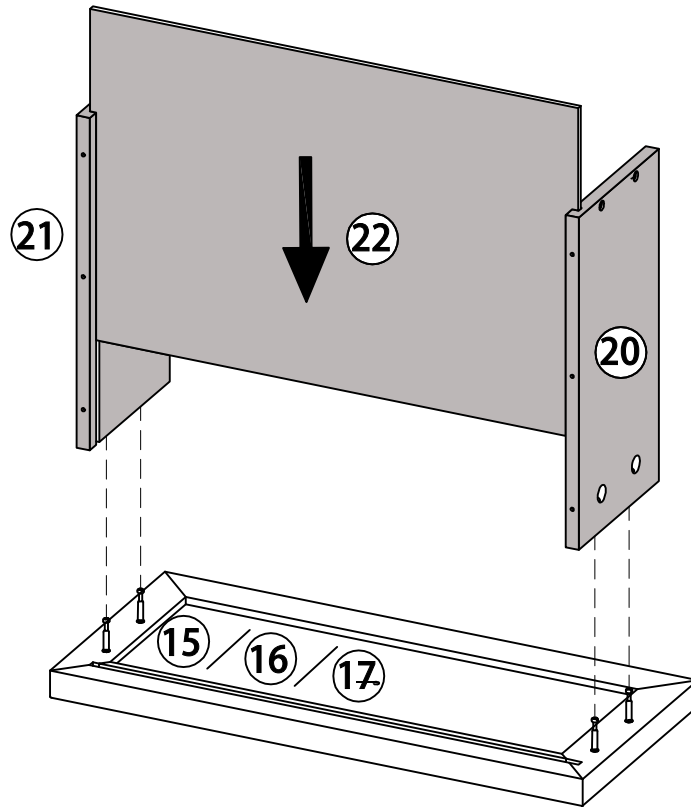
# STEP 15



# STEP 16

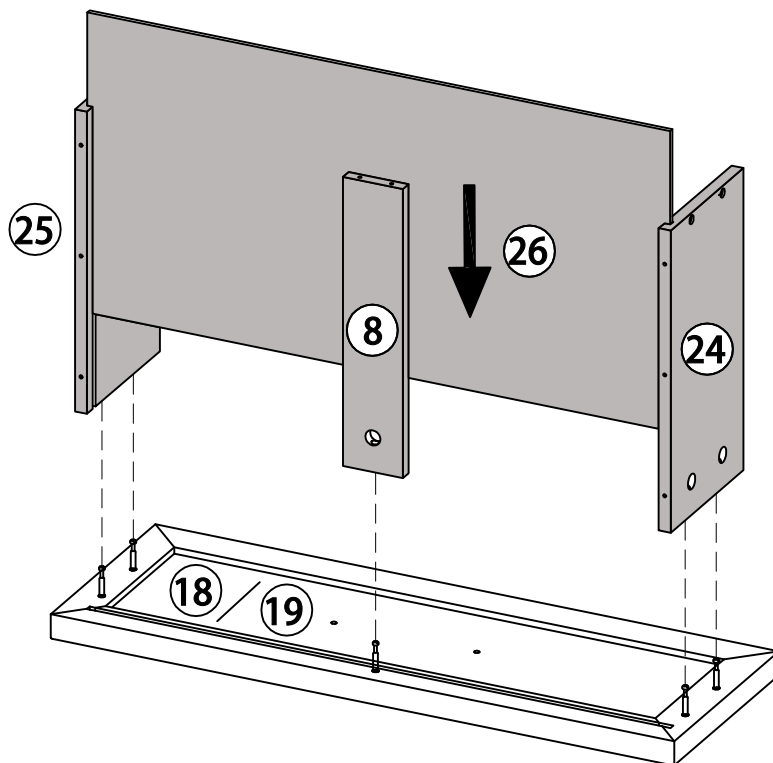


# STEP 17



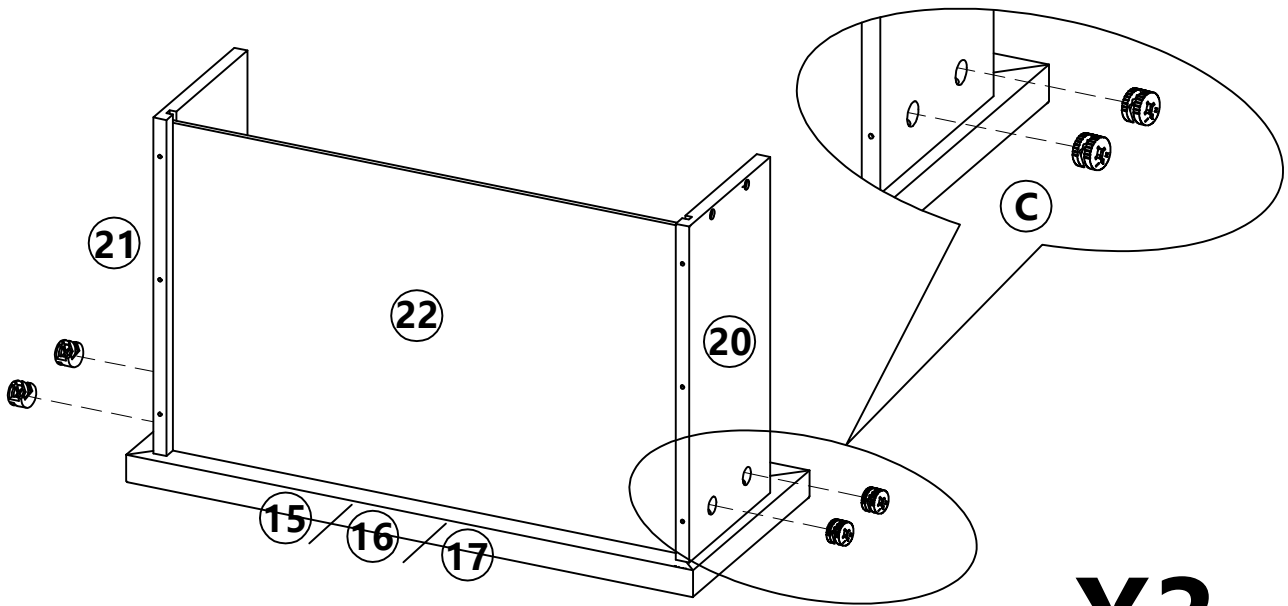
**X3**

# STEP 18

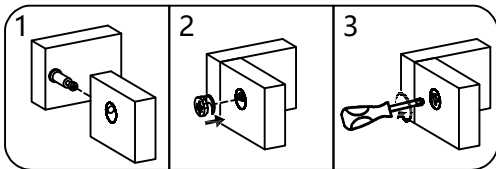


**X4**

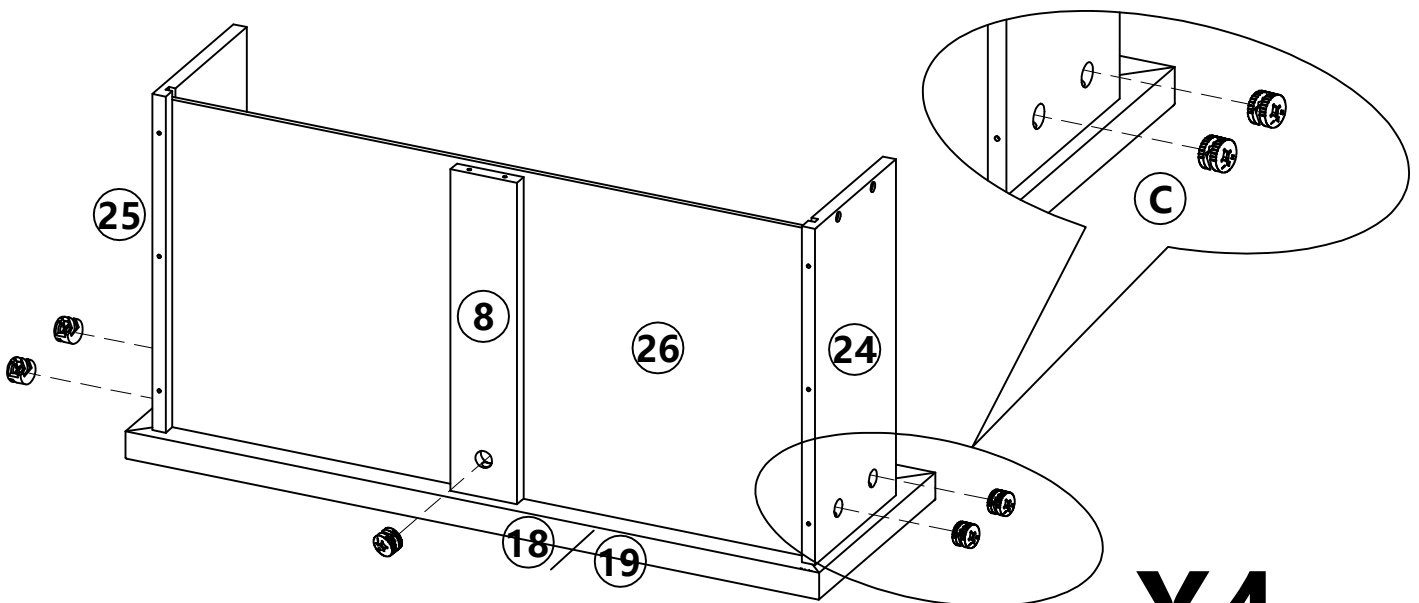
# STEP 19



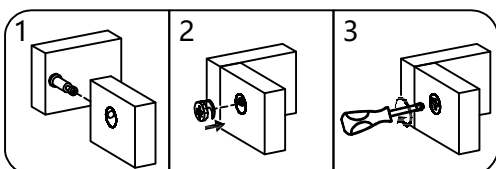
## X3



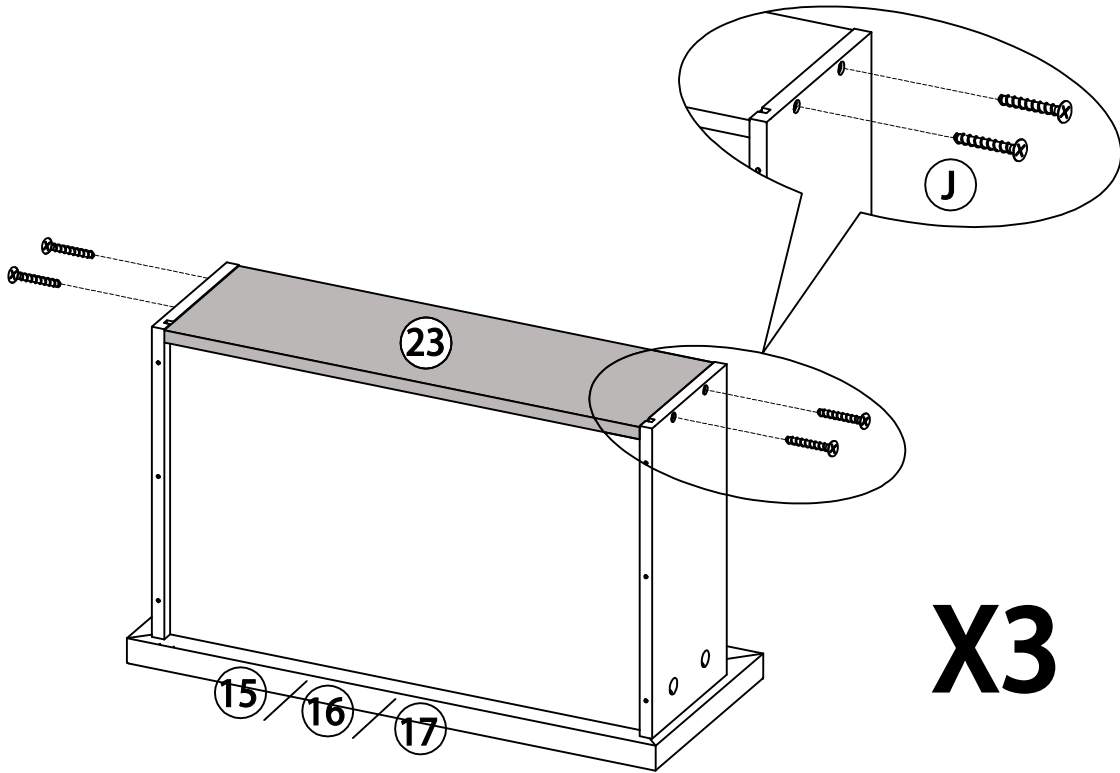
# STEP 20



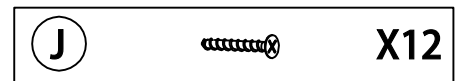
## X4



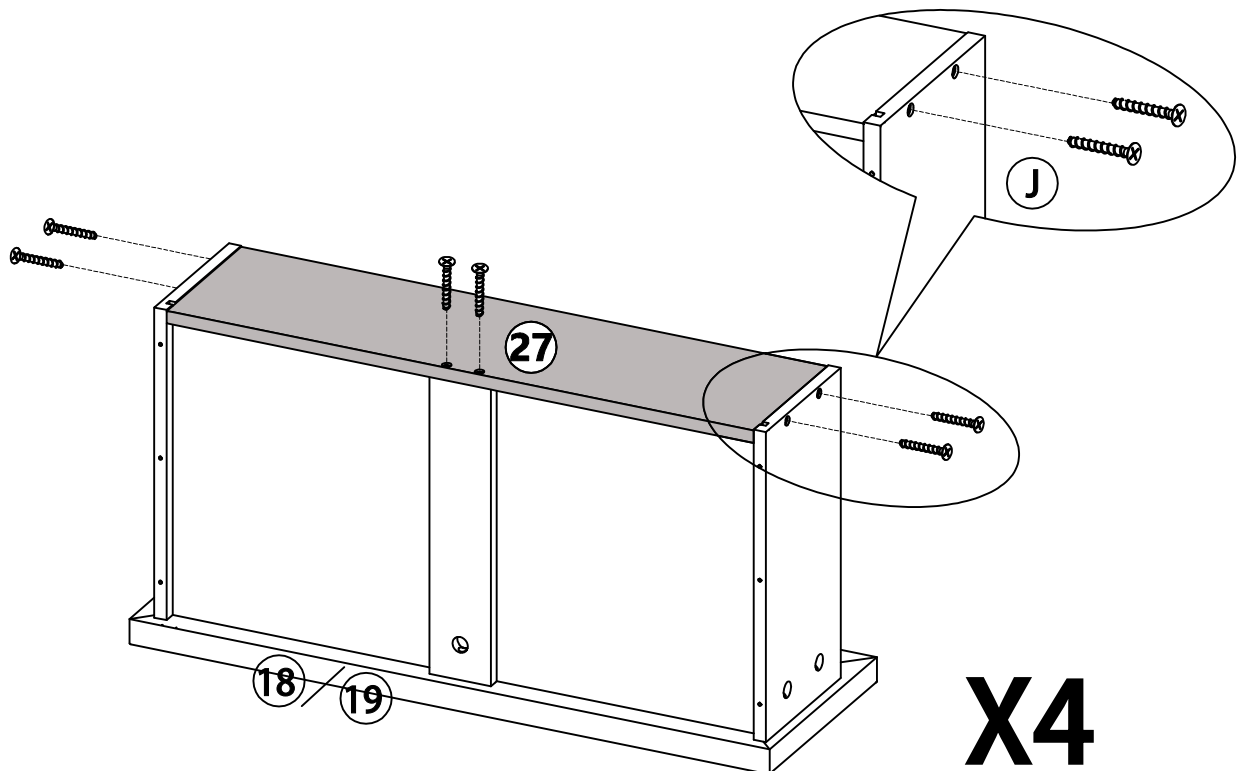
# STEP 21



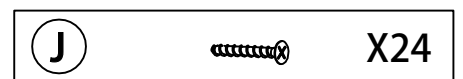
# X3



# STEP 22

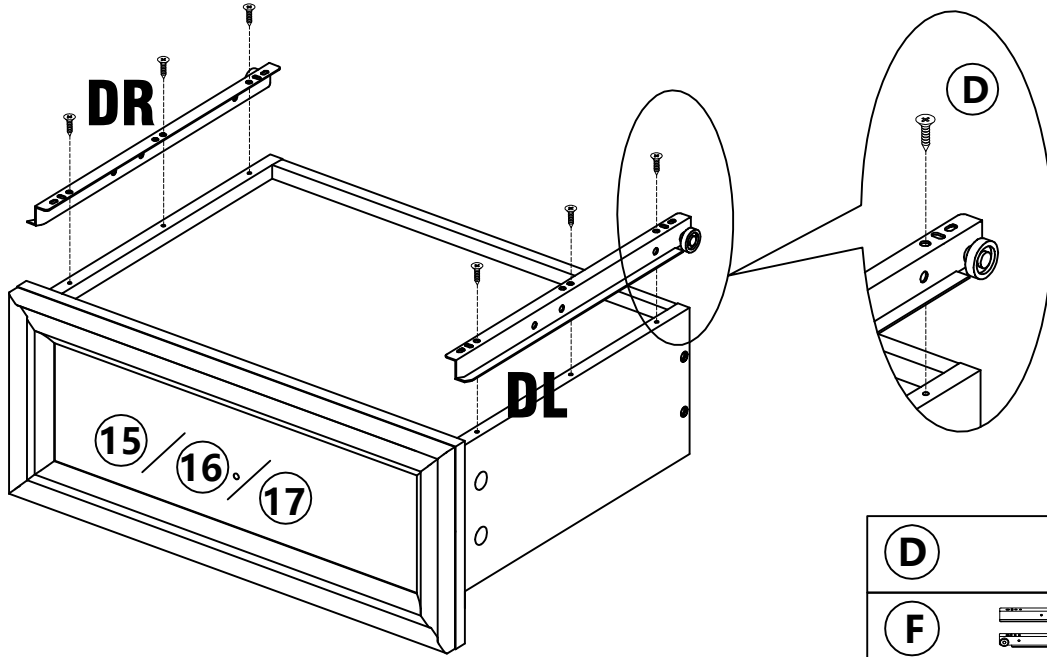
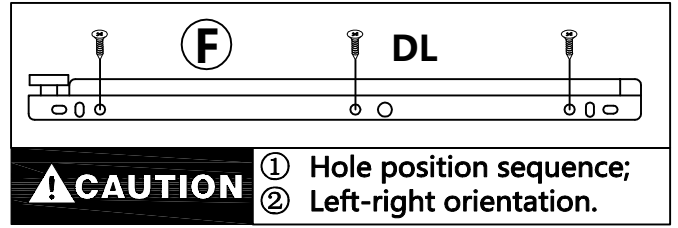
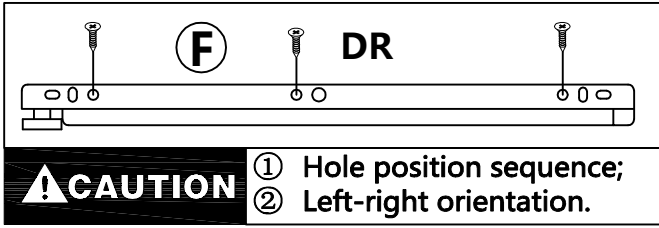


# X4



15

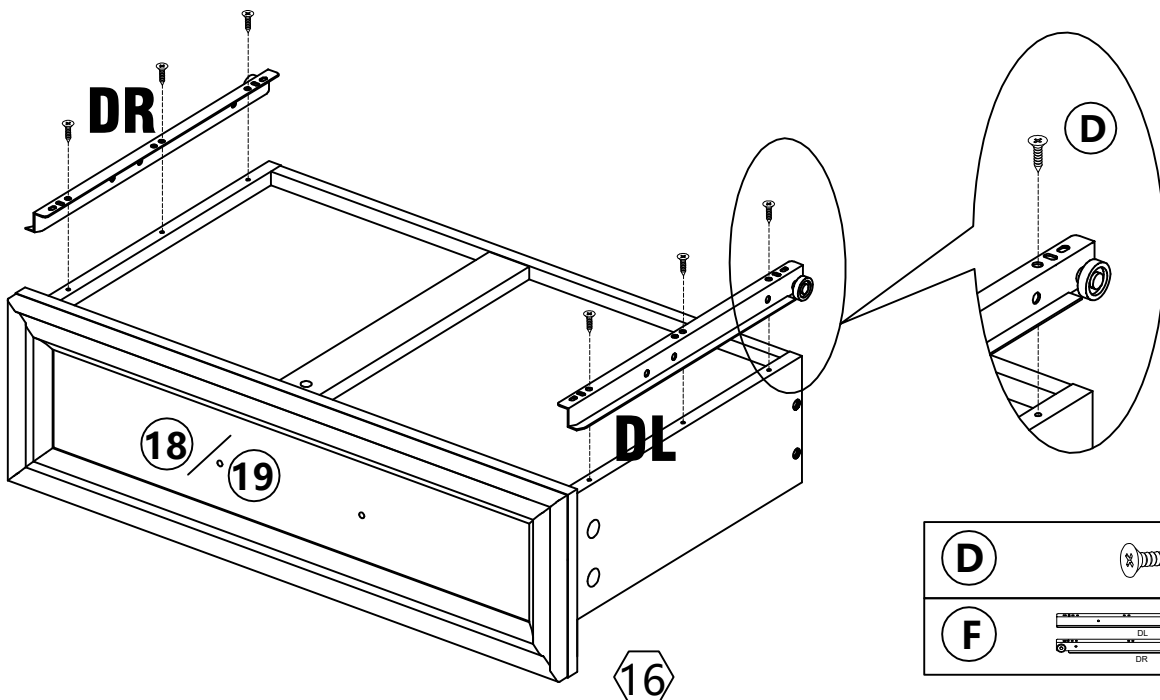
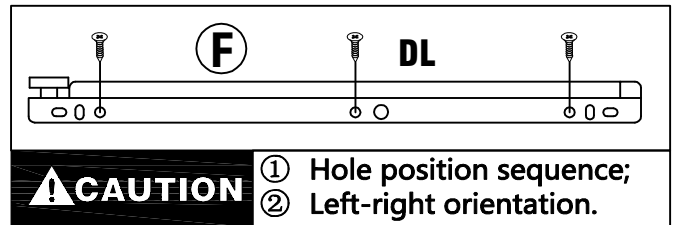
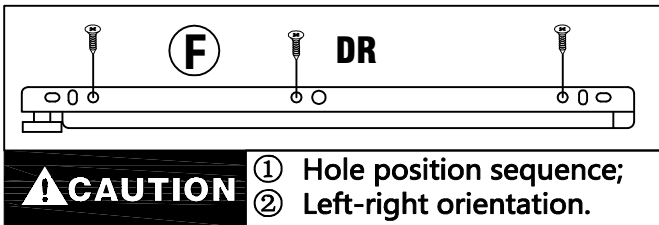
# STEP 23



**X3**

<b>D</b>		<b>X18</b>
<b>F</b>		<b>X3</b>

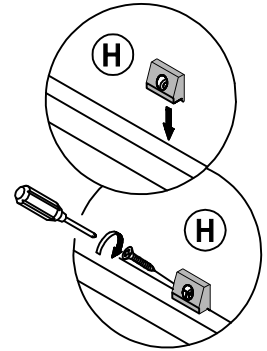
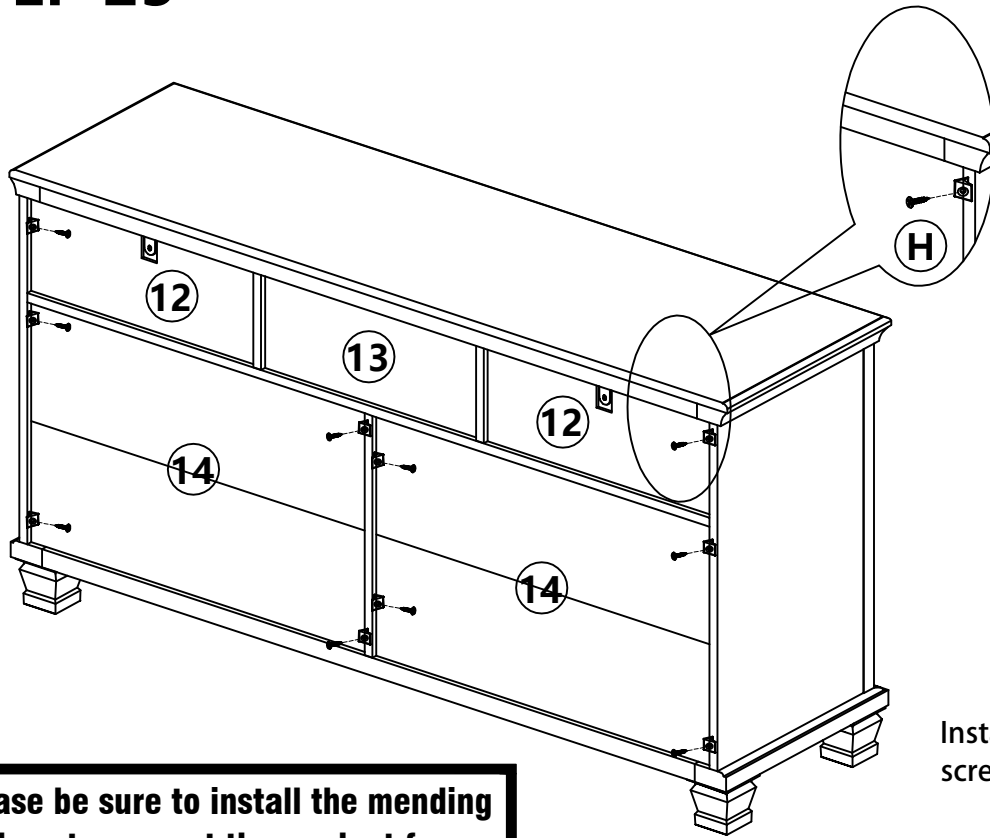
# STEP 24



**X4**

<b>D</b>		<b>X24</b>
<b>F</b>		<b>X4</b>

# STEP 25

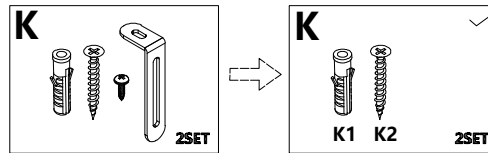


Install and tighten backplate screws to ensure stability

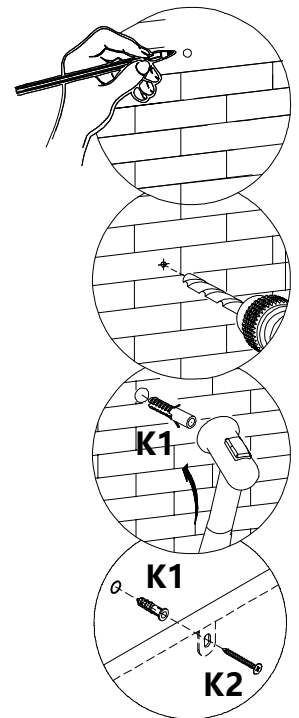
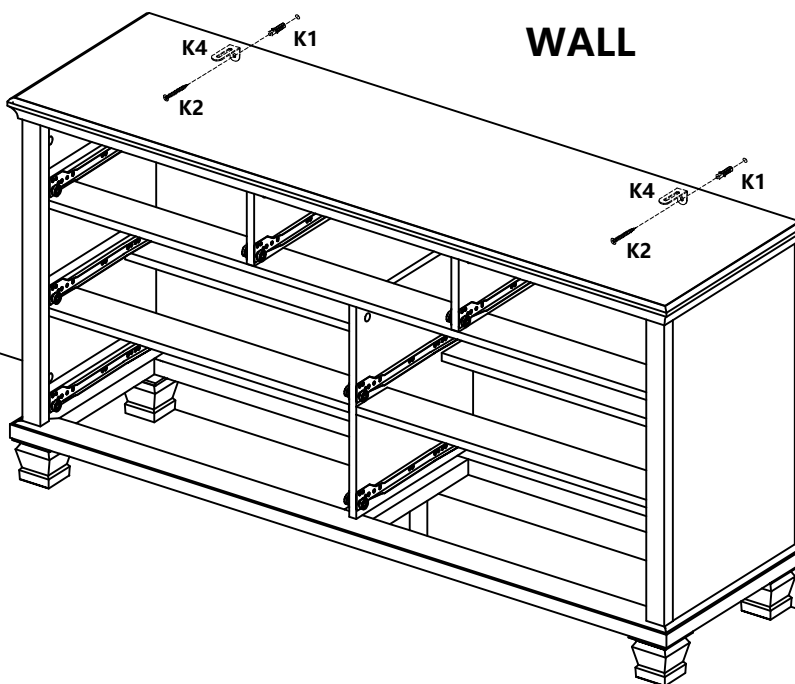
Please be sure to install the mending wedges to prevent the product from becoming unstable or wobbling.

H		<b>X10</b>
---	--	------------

# STEP 26

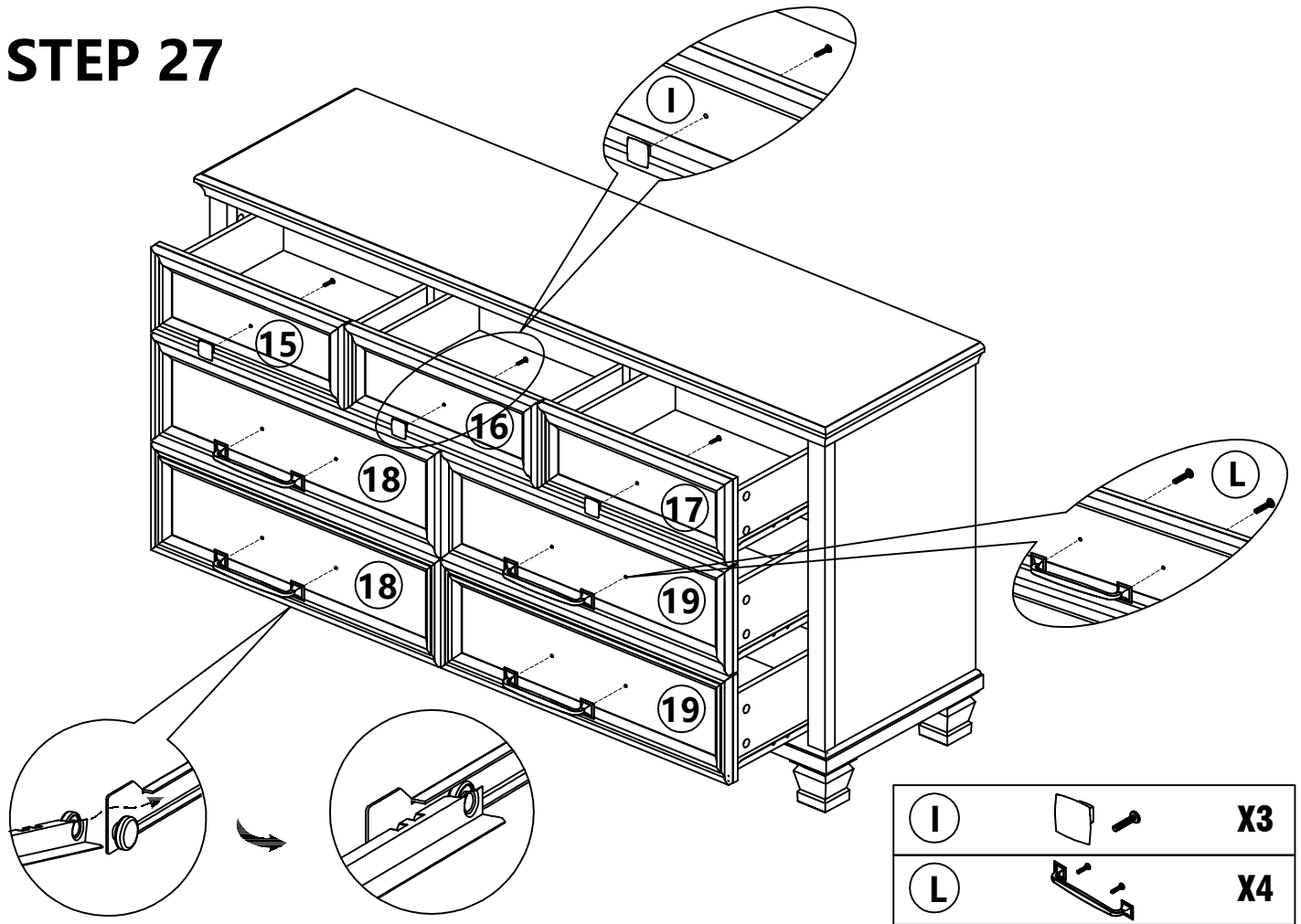


Drill a hole in the wall, then hammer the K1 into the wall with a hammer



K	K1	K2	K3	K4	<b>X2</b>
---	----	----	----	----	-----------

# STEP 27



I		X3
L		X4

**▲ WARNING**

**Children have died from furniture tipover. To reduce the risk of furniture tipover:**

- ALWAYS install anti-tip device provided.
- NEVER put a TV on this product.
- NEVER allow children to stand, climb or hang on any drawers, doors, or shelves.
- NEVER open more than one drawer at a time.
- Place heaviest items in the lowest drawers.

*this is a permanent label. Do not remove!*

1 Instructions for use:  
 The cabinet legs should be designed to avoid lateral stress. When moving, please lift vertically off the ground. Dragging may cause loose connectors, affecting stability and service life