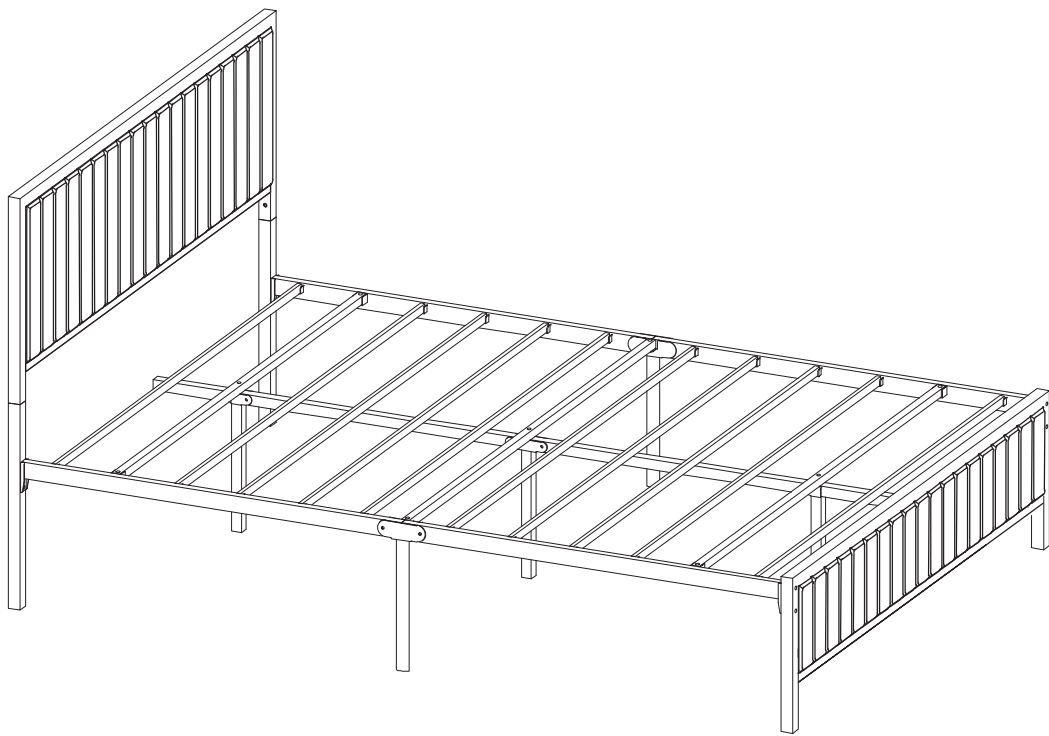


Installation & Assembly



Assembly Guide

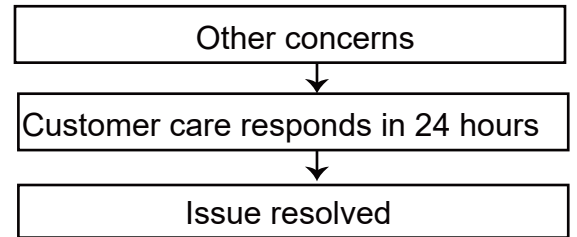
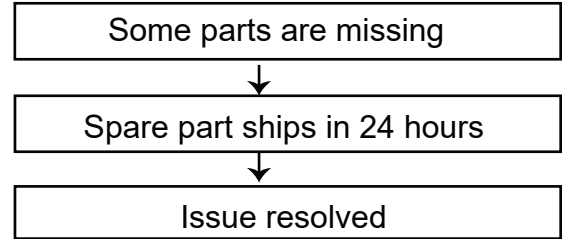
Tip!

Do check for all the components and screws listed in this guide before putting things together.

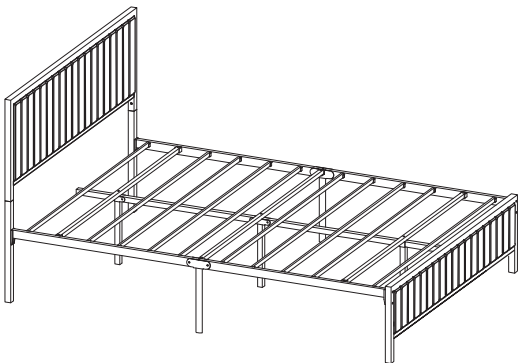
Return Policy

Your satisfaction is our top priority. If our product fails to satisfy you, please let us know how we can make things right for you. Our trained customer care team can handle most concerns and assist you with any questions you may have. Simply shoot them a message at with your orde rnumber and question. To be eligible for a full-refund return, the item must be in pristine condition, in the original packaging, with all of the shipped components intact and not yet assembled, and with the item's unique proof of purchase.

Trouble shooting:

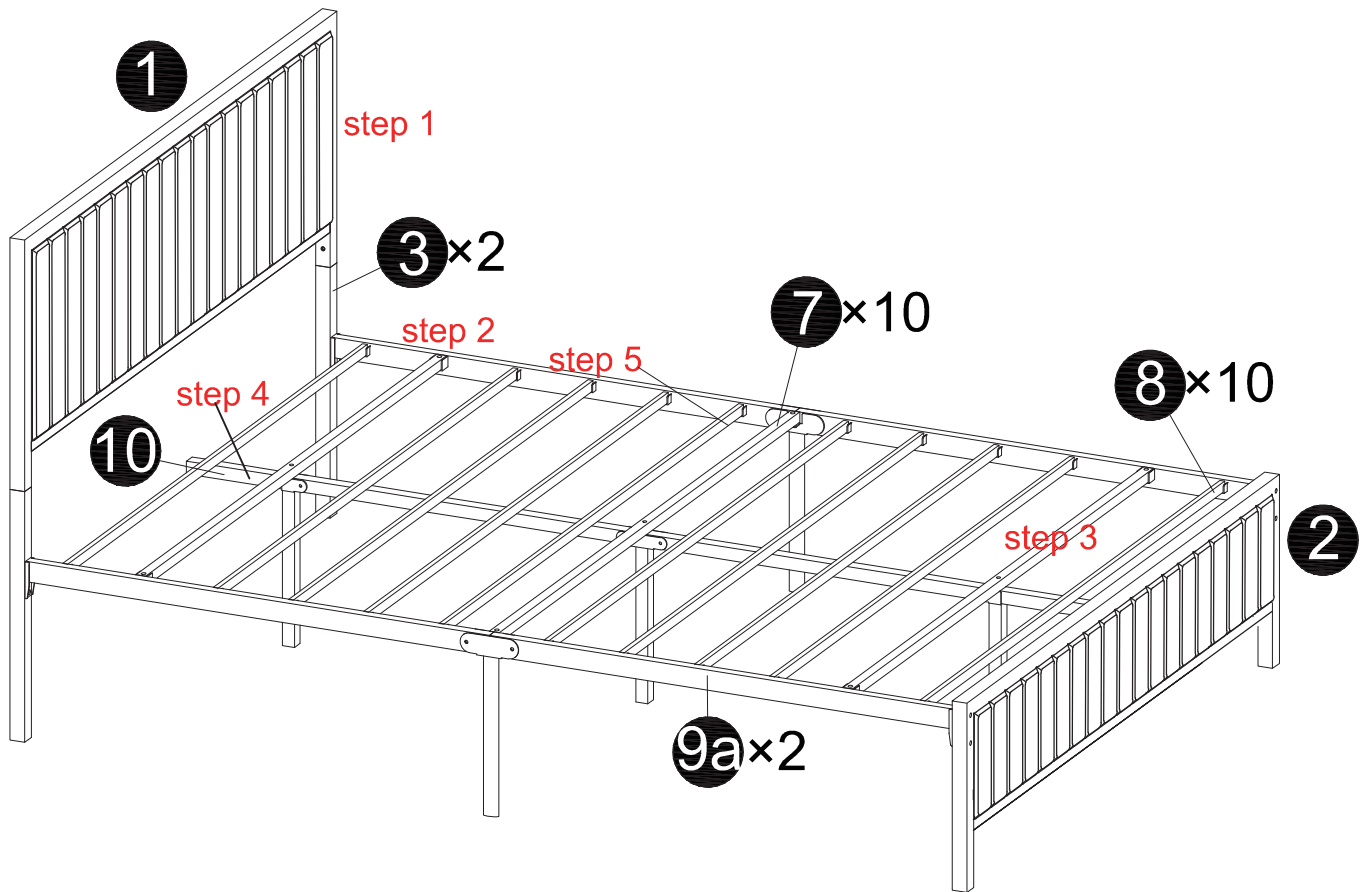


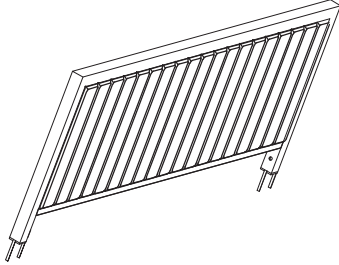
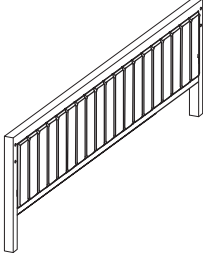
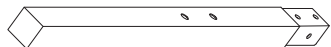
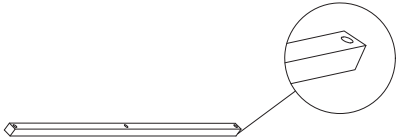
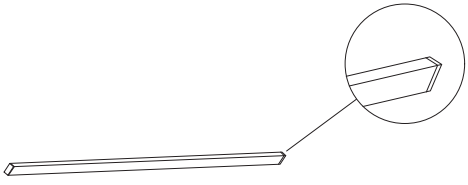

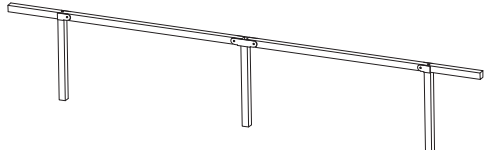
We run our own manufacturer, so rest assured about the quality consistency.

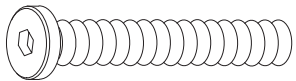
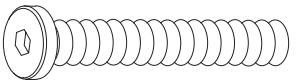
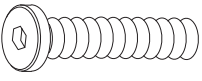
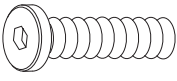
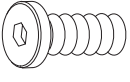
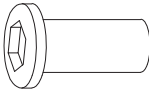
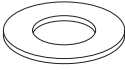

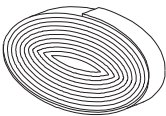


Item Description: Bed Frame

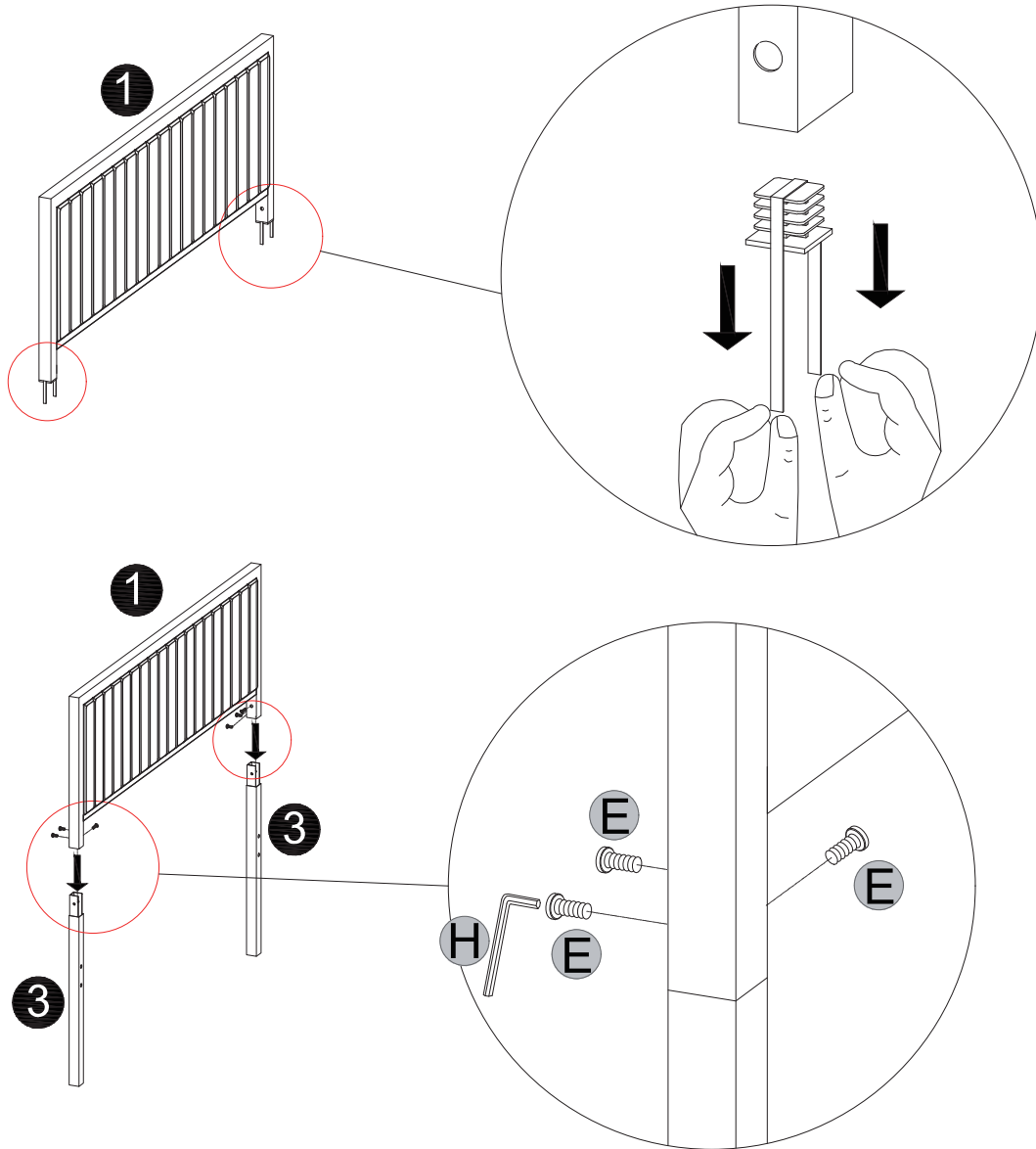
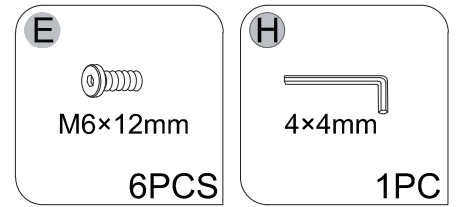
- Easy assembly by following step 1、 step 2、 step 3...
- ★ Einfache Montage durch Befolgen von Schritt 1, Schritt 2, Schritt 3...
- ▲ Assemblage facile en suivant les étapes : étape 1, étape 2, étape 3...
- Facile assemblaggio seguendo il passaggio 1, passaggio 2, passaggio 3...
- ✿ Fácil montaje siguiendo el paso 1, paso 2, paso 3...



<p>1</p>		<p>1pc</p>	<p>2</p>		<p>1pc</p>
<p>3</p>		<p>2pcs</p>	<p>7</p>	 <ul style="list-style-type: none"> ● With Screw Holes ★ Mit Schraubenlöchern ▲ Avec trous de vis ■ Con Fori Per Viti ✱ Con Orificios para Tornillos 	<p>3pcs</p>
<p>8</p>	 <ul style="list-style-type: none"> ● Without Screw Holes ★ Ohne Schraubenlöcher ▲ Sans trous de vis ■ Senza Fori per le Viti ✱ Without Screw Holes 	<p>10pcs</p>	<p>9a</p>		<p>2pcs</p>
<p>10</p>		<p>1pc</p>			

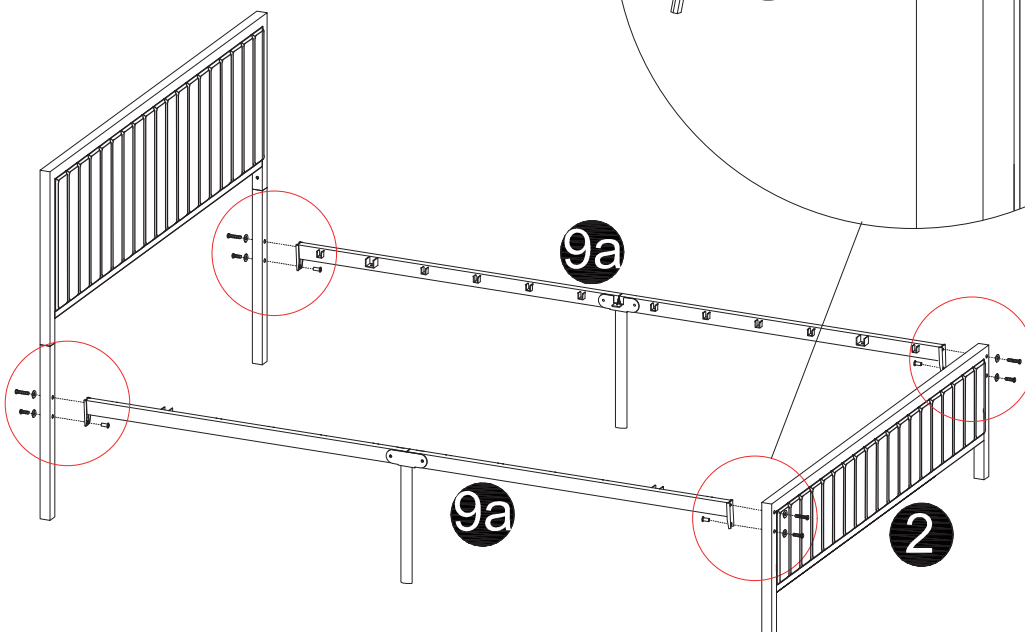
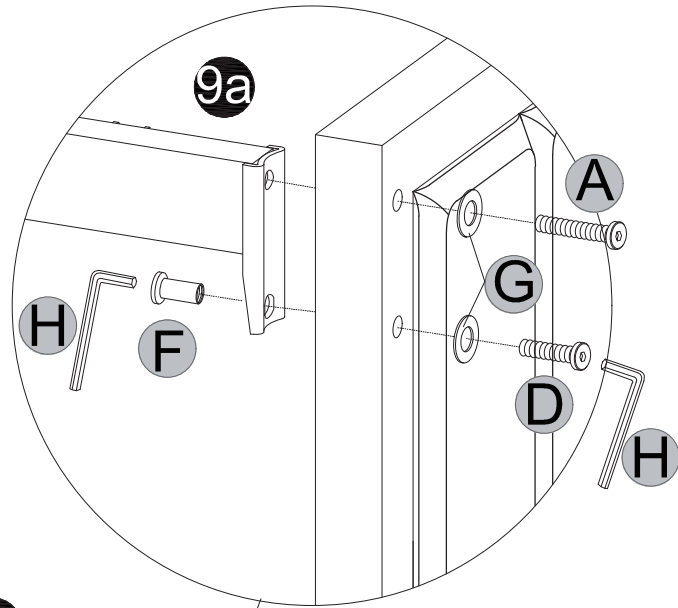
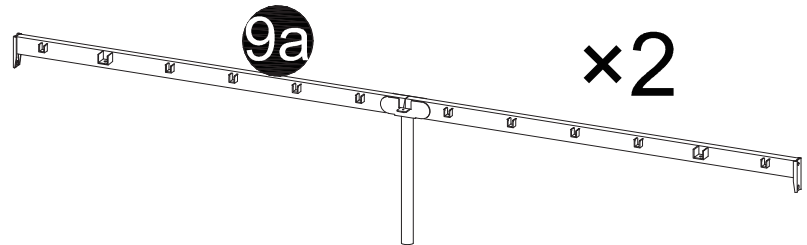
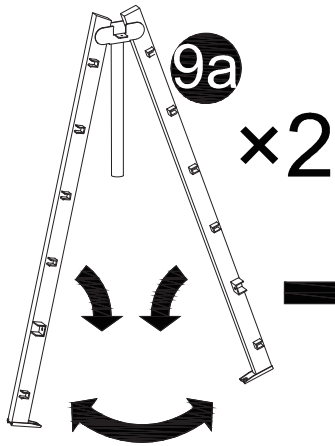
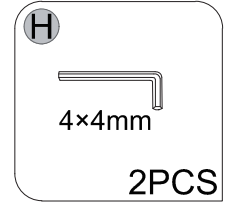
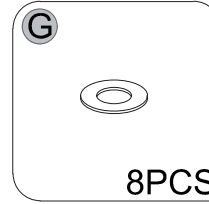
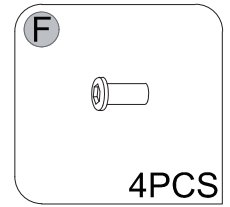
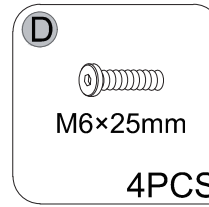
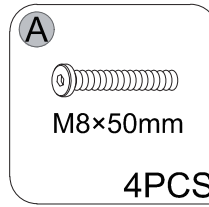
<p>A</p>	 <p>M8×50mm</p>	<p>4pcs</p>	<p>B</p>	 <p>M6×55mm</p>	<p>3pcs</p>
<p>C</p>	 <p>M6×30mm</p>	<p>6pcs</p>	<p>D</p>	 <p>M6×25mm</p>	<p>4pcs</p>
<p>E</p>	 <p>M6×12mm</p>	<p>6pcs</p>	<p>F</p>		<p>4pcs</p>
<p>G</p>		<p>8pcs</p>	<p>H</p>	 <p>4×4mm</p>	<p>2pcs</p>
<p>N</p>		<p>1pc</p>			

Step 1




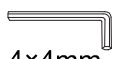
- Note: For easy setup, do not tighten screws during the installation process.
- ★ Hinweis: Um die Installation zu erleichtern, ziehen Sie die Schrauben während des Installationsprozesses nicht vollständig fest.
- ▲ Remarque : Pour faciliter le montage, ne serrez pas les vis à fond pendant l'installation.
- Nota: Per una facile installazione, non serrare le viti durante il processo di installazione.
- ☀ Nota: Para una fácil instalación, no apriete los tornillos durante el proceso de instalación.

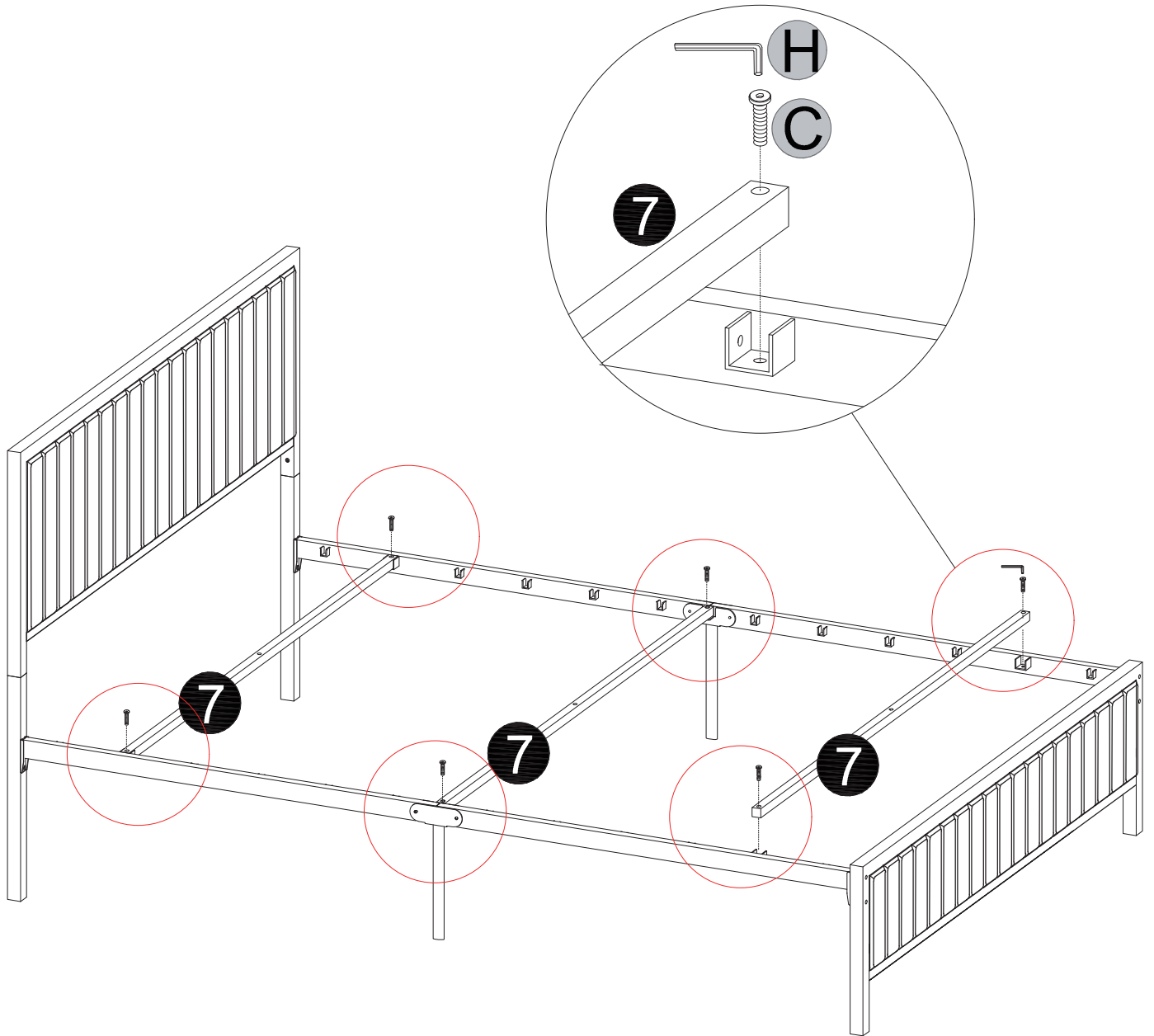
Step 2



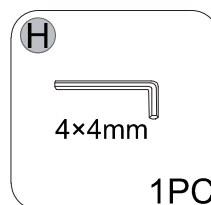
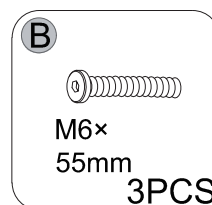
Step 3

C

M6x30mm
6PCS

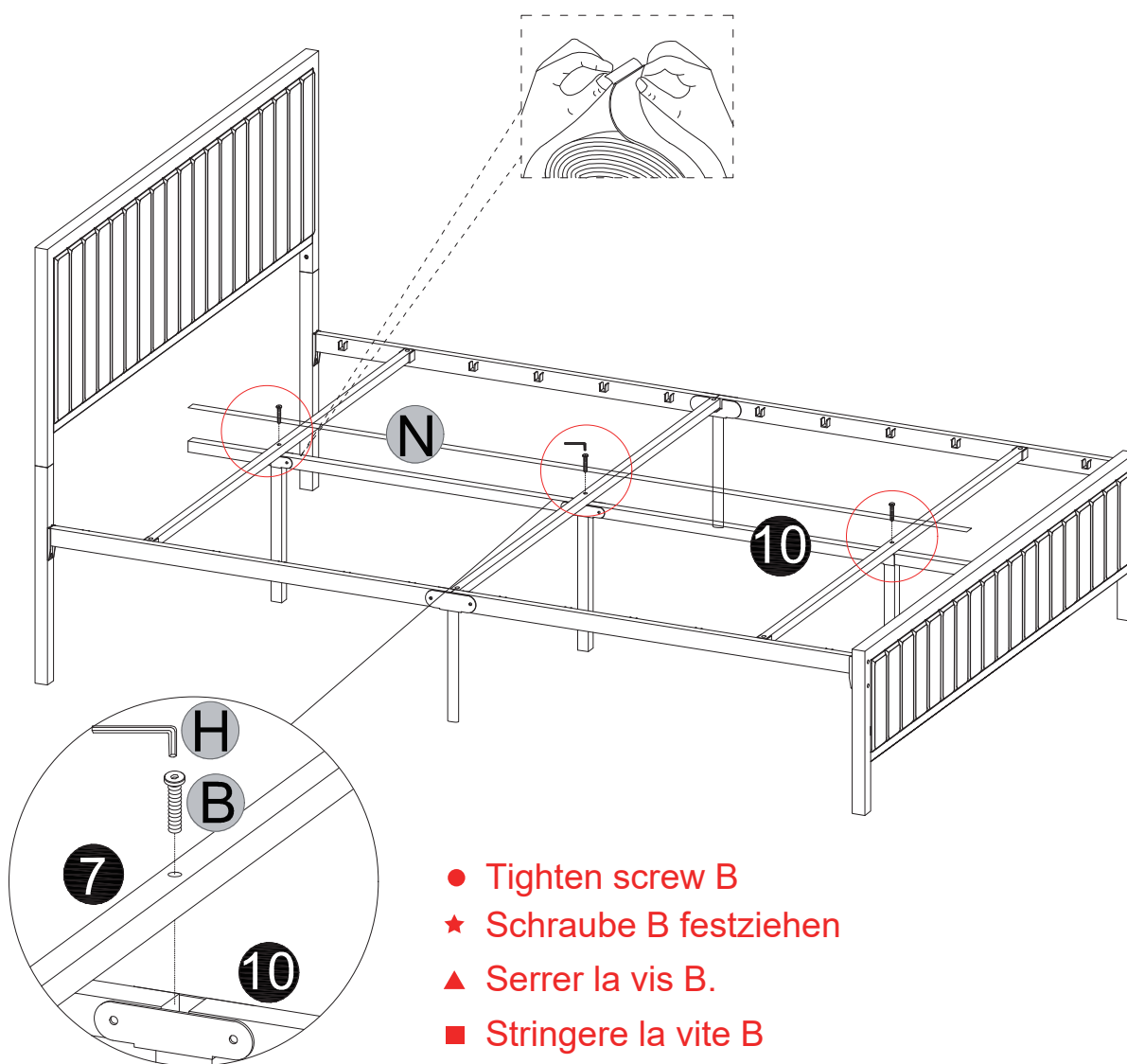
H

4x4mm
1PC



Step 4

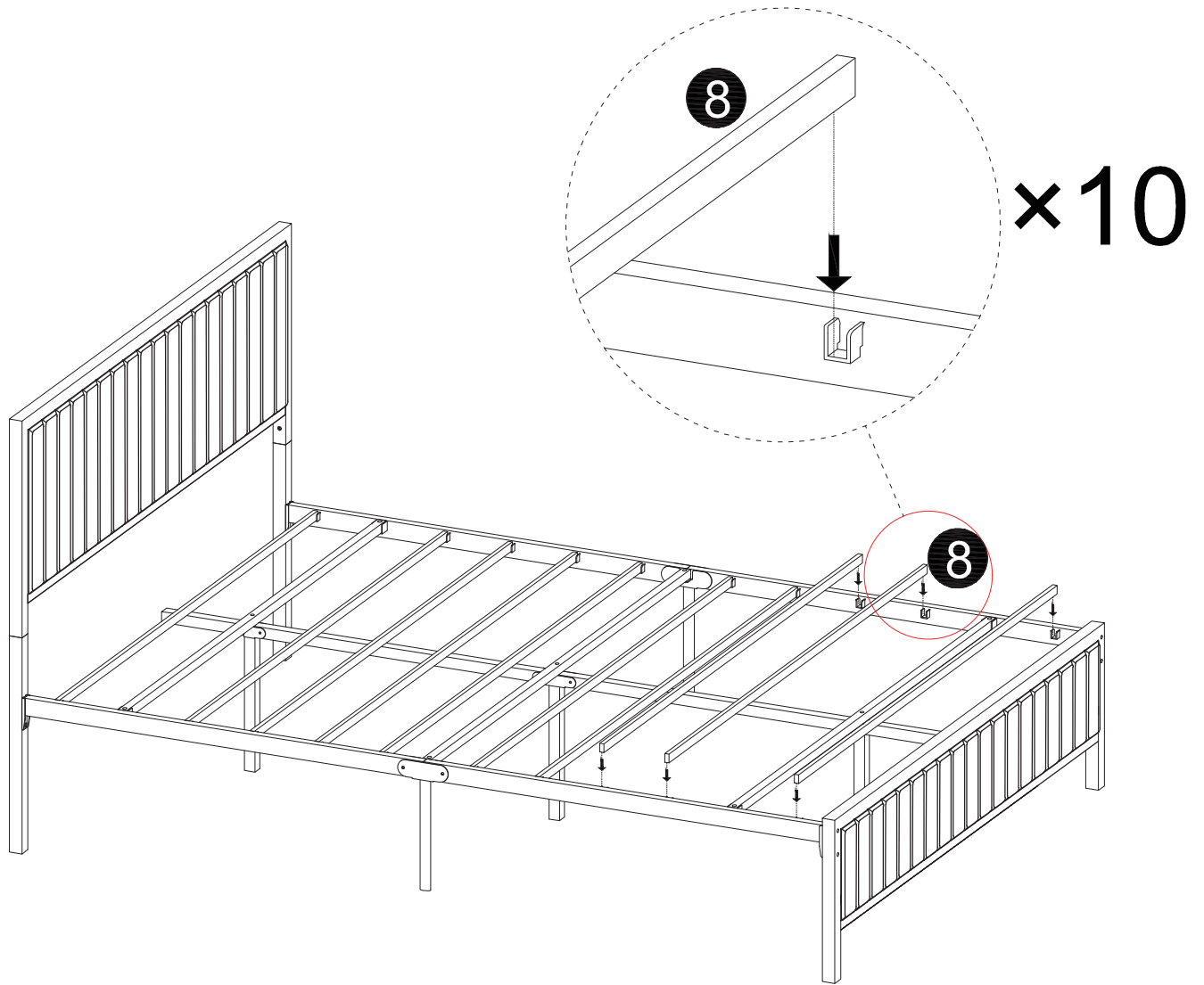


- To prevent friction noise, unroll part N and fit it on part 10, the length of part N can be cut as you will.
- ★ Um Reibungsgeräusche zu vermeiden, rollen Sie Teil N aus und passen Sie es auf Teil 10 an. Die Länge von Teil N kann beliebig geschnitten werden.
- ▲ Pour prévenir les bruits de frottement, déroulez la pièce N et placez-la sur la pièce 10. La longueur de la pièce N peut être coupée selon vos besoins.
- Per evitare rumori di attrito, srotolare la parte N e montarla sulla parte 10, la lunghezza della parte N può essere tagliata a piacimento.
- ✱ Para evitar ruidos de fricción, desenrolle la parte N y colóquela en la parte 10, la longitud de la parte N puede cortarse como desee.



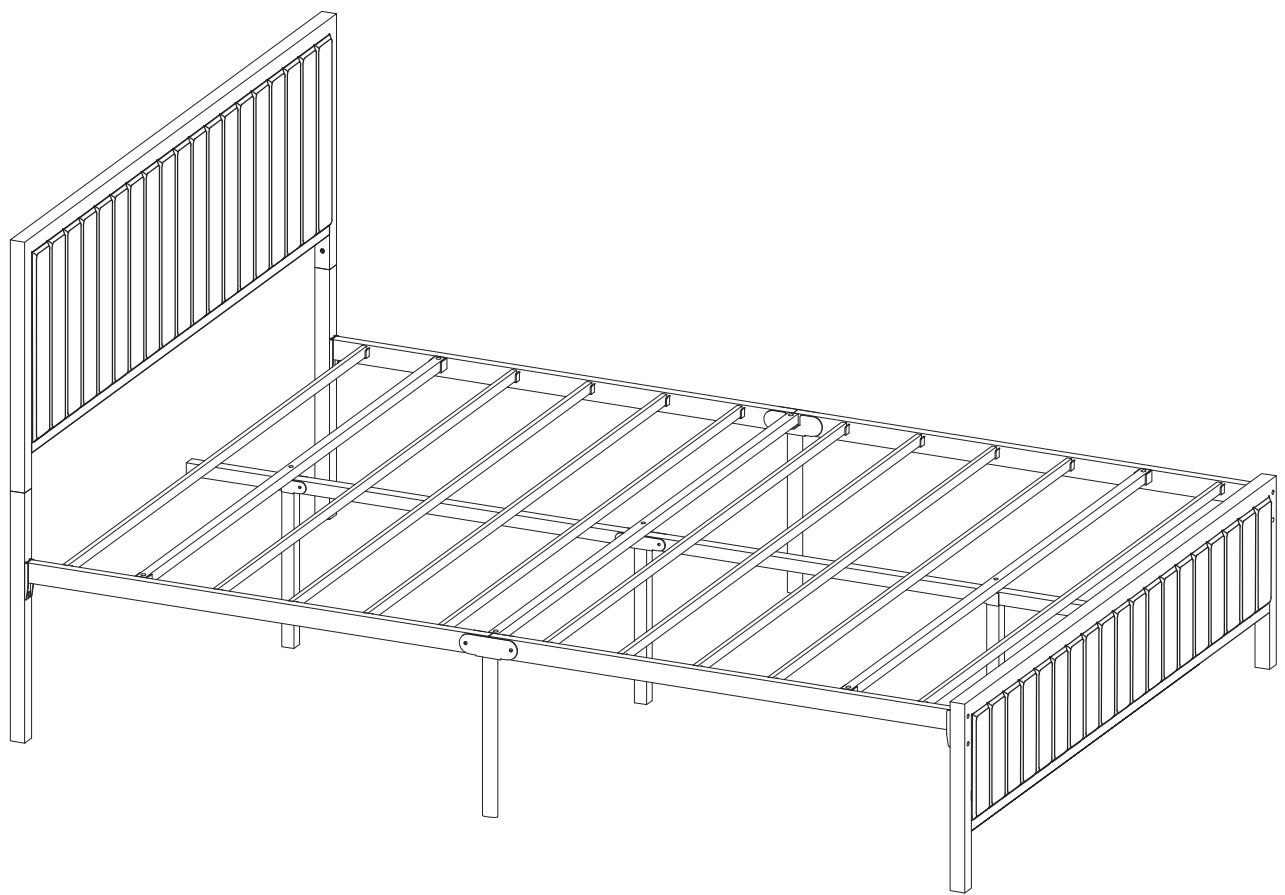
- Tighten screw B
- ★ Schraube B festziehen
- ▲ Serrer la vis B.
- Stringere la vite B
- ✱ Apretar el tornillo B

Step 5



Step 6

- Check and tighten all screws
- ★ Überprüfen und ziehen Sie alle Schrauben fest.
- ▲ Vérifiez et serrez toutes les vis.
- Controllare e serrare tutte le viti.
- ✱ Verifique y apriete todos los tornillos.



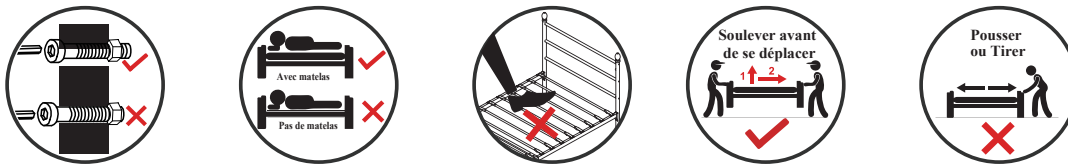
CAUTION!



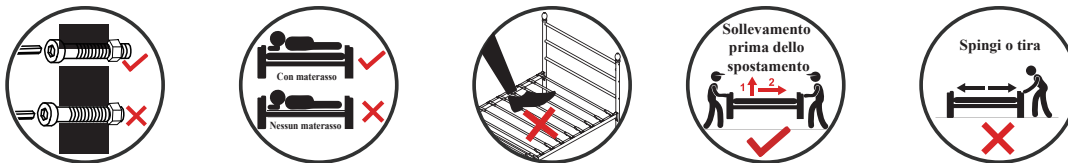
ACHTUNG!



ATTENTION !



CAUTELA!



PRECAUCIÓN !

