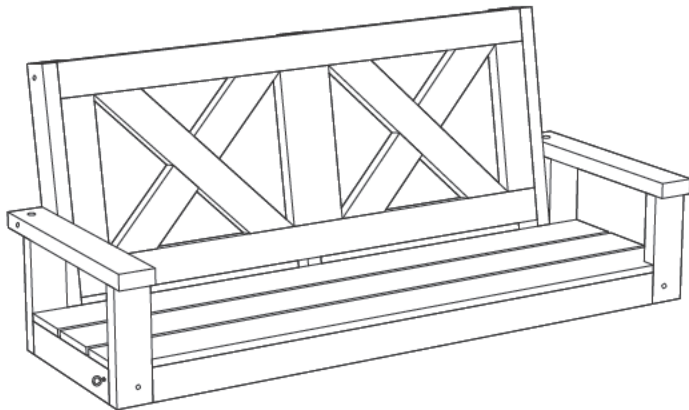


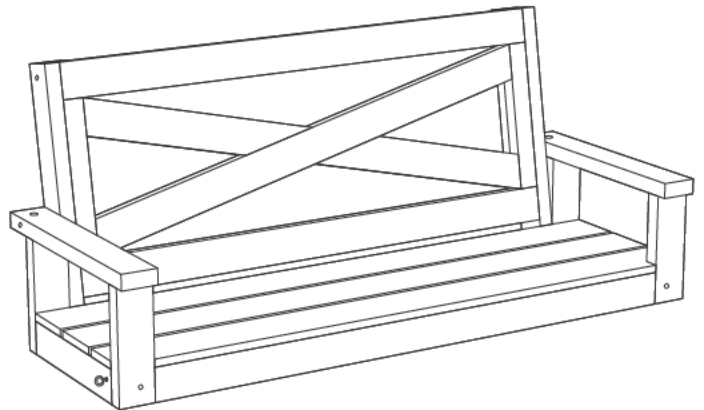
Porchgate

Heavy Duty Porch Swing

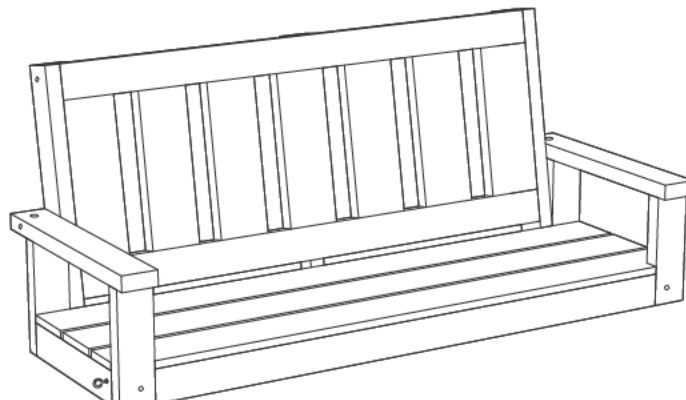
Farmhouse



Boardwalk



Ardmore



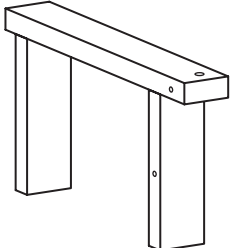
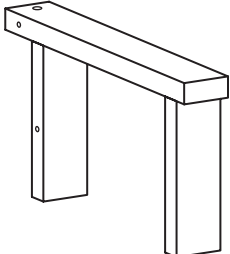
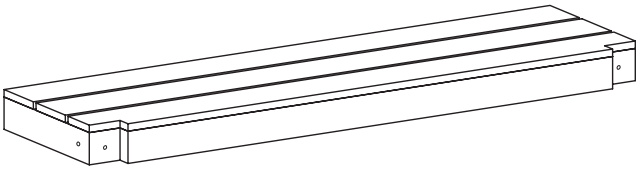
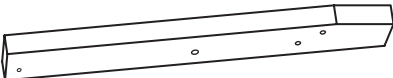
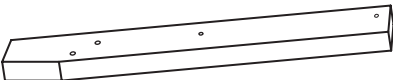
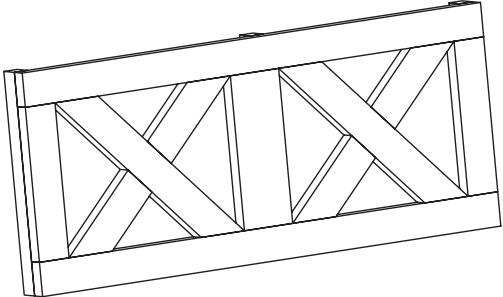

PRE-ASSEMBLY PREPARATION:









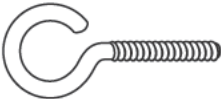


DO NOT LET CHILDREN PLAY IN OR AROUND THE UNIT DUE TO THE POSSIBLE RISK OF FINGER ENTRAPMENT

- Please read through these instructions before beginning assembly.
- Two adults are recommended for assembly.
- Clear out an open space for assembly and lay all items on the Parts and Hardware List on a padded surface to protect the finish. Extra room will allow you to easily determine if all the pieces are present.
- Save all packing materials until assembly is complete to avoid accidentally discarding smaller parts or hardware.
- Keep small parts and pieces away from children until fully assembled.
- Please check for any loose screws and tighten them before you use.






PARTS LIST:

ID	PHOTO	DESCRIPTION	QTY
A		Right Arm	1
B		Left Arm	1
C		Swing Seat	1
D		Right Back Upright	1
E		Left Back Upright	1
F		Swing Back	1
G		Center Back Upright *Not used with Ardmore or Boardwalk	1

HARDWARE LIST:

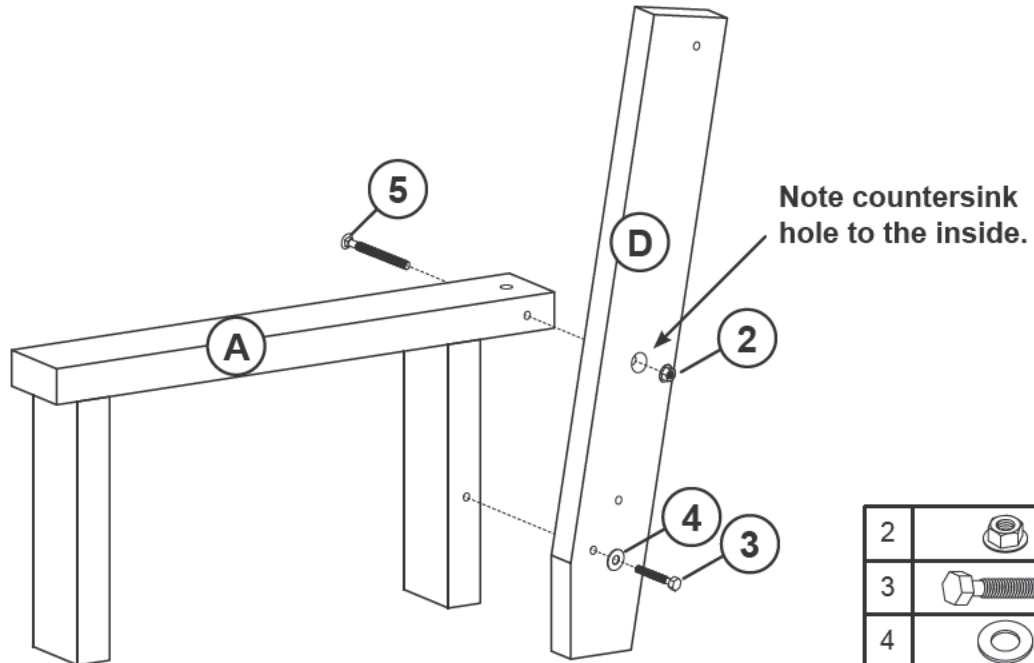
ID	PHOTO	DESCRIPTION	QTY
1		1/4" x 3 1/4" Carriage Bolts	8
2		1/4" Flange Nuts	10
3		1/4" x 2" Hex Bolts	2
4		1/4" Flat Washer	2
5		1/4" x 4 1/2" Carriage Bolts	2
6		#8 x 2 1/4" Screws	1
7		3/8" x 4" Eyebolts	2
8		3/8" x 6" Eyebolts	2
9		3/8" Flange Nuts	8





TOOLS LIST:

				
9/16" Socket or Wrench	7/16" Socket or Wrench	Screwgun	Rubber Mallet	#2 Square Drive Bit (Included)

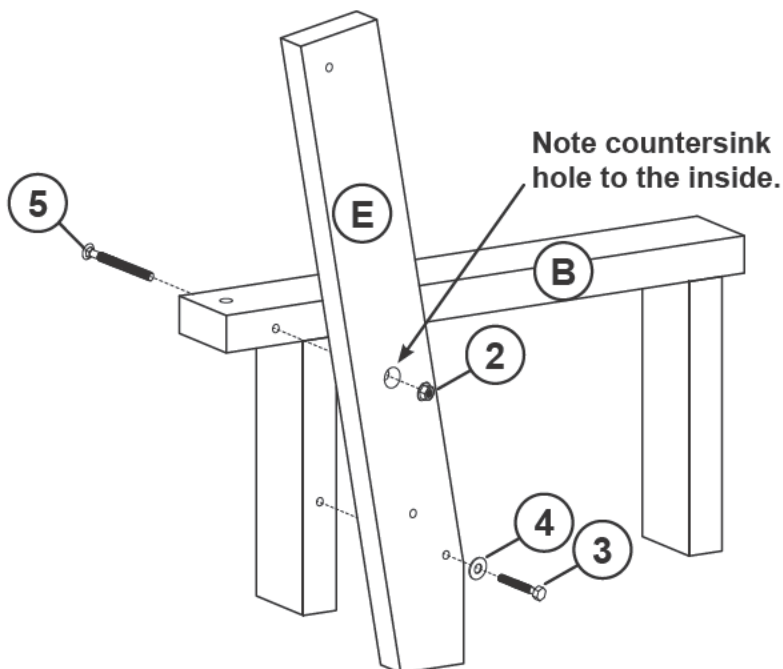
STEP-BY-STEP ASSEMBLY:





- 1** Attach Right Back Upright (D) to Right Arm (A) using 1/4" x 2" Hex Bolts (3) and 1/4" Washer (4) on the lower holes and 1/4" x 4 1/2" Carriage Bolts (5) and 1/4" Flange Nuts (2) on the middle hole. Tighten with 7/16" Wrench.
Note: Tighten with wrench only after inserting both bolts.



2		x1
3		x1
4		x1
5		x1

- 2** Attach Left Back Upright (E) to Left Arm (B) using 1/4" x 2" Hex Bolts (3) and 1/4" Washer (4) on the lower holes and 1/4" x 4 1/2" Carriage Bolts (5) and 1/4" Flange Nuts (2) on the middle hole. Tighten with 7/16" Wrench. Note countersink hole to the inside.
Note: Tighten with wrench only after inserting both bolts.

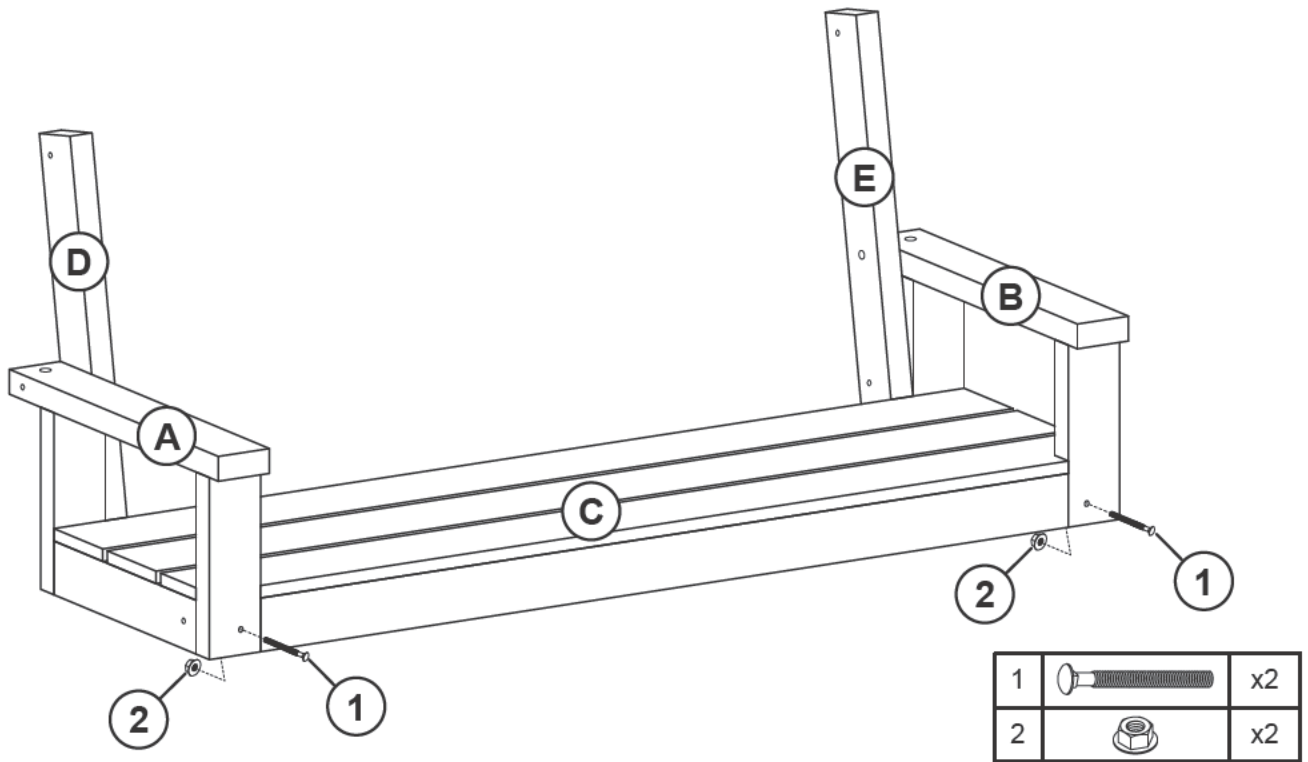


2		x1
3		x1
4		x1
5		x1

STEP-BY-STEP ASSEMBLY:

3

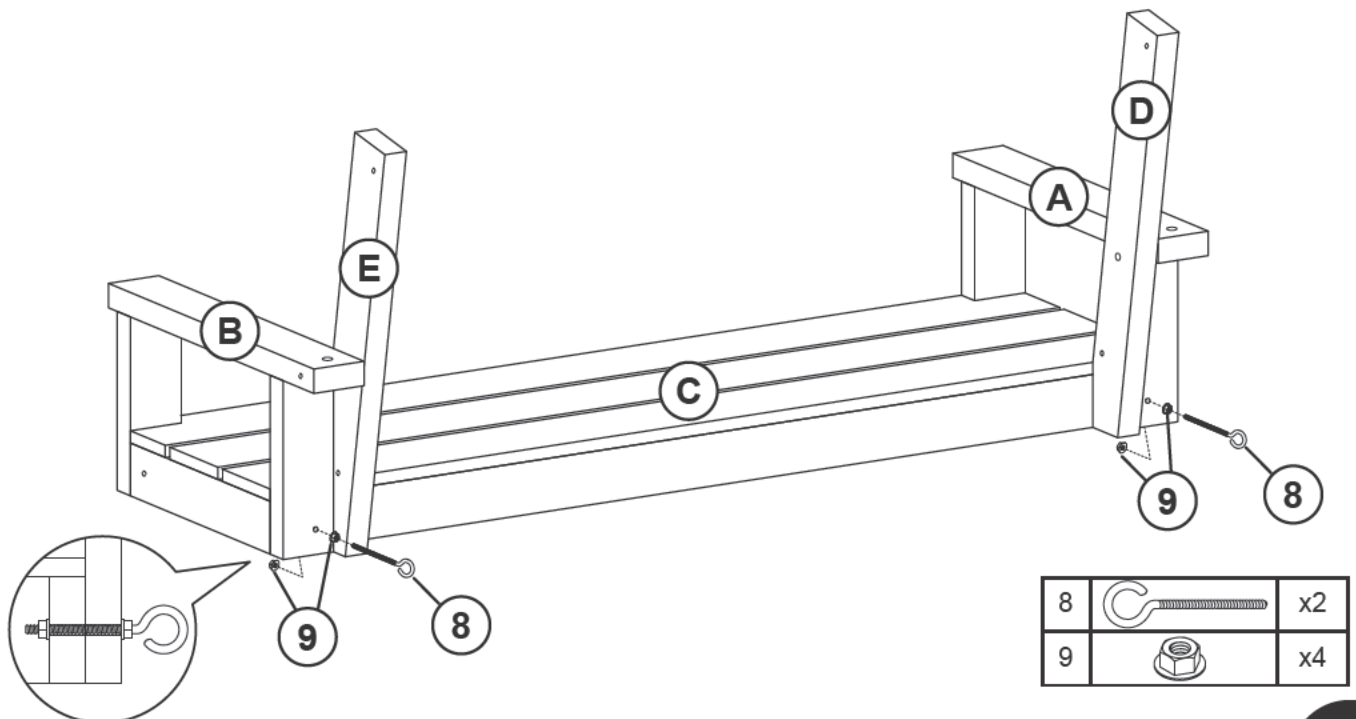
Fasten Right Arm (A) and Left Arm (B) to each side of the Swing Seat (C) using 1/4" x 3 1/4" Carriage Bolts (1) and 1/4" Flange Nuts (2).



4

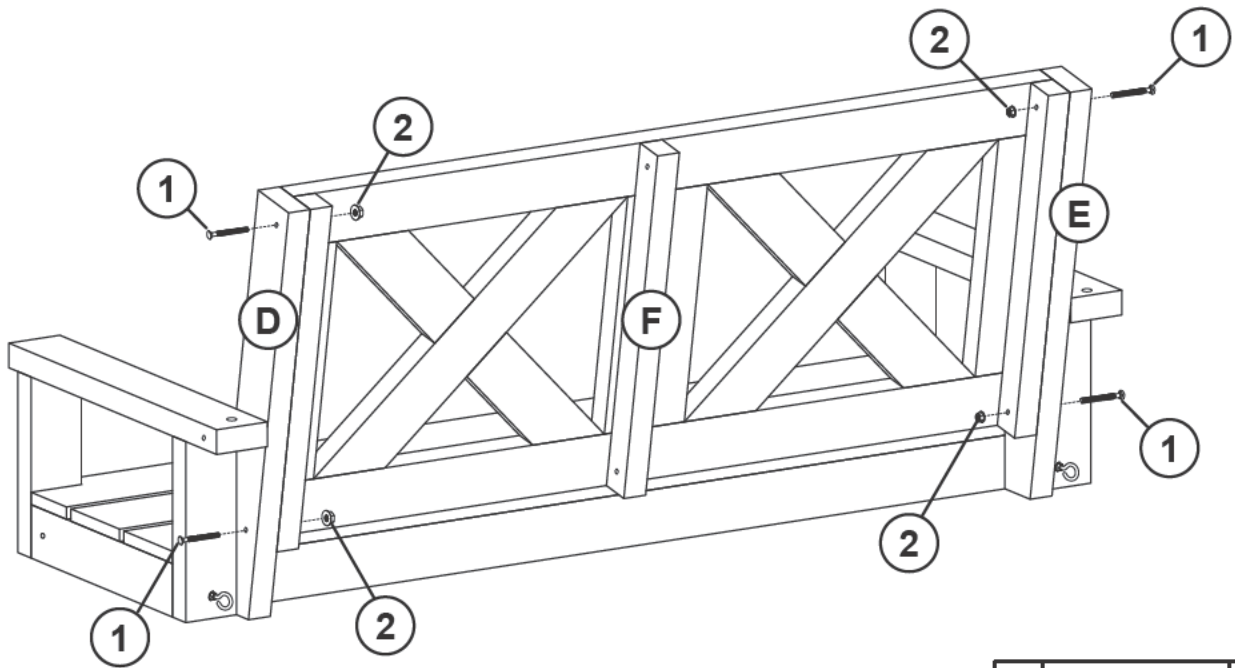
Fasten the back parts of Right Arm (A) and Left Arm (B) to Swing Seat (C) with 3/8" x 6" Eyebolts (8) and 3/8" Flange Nuts (9).



***Note: For chain place eye bolts upright with opening down. For rope place eye bolts flat.**



STEP-BY-STEP ASSEMBLY:

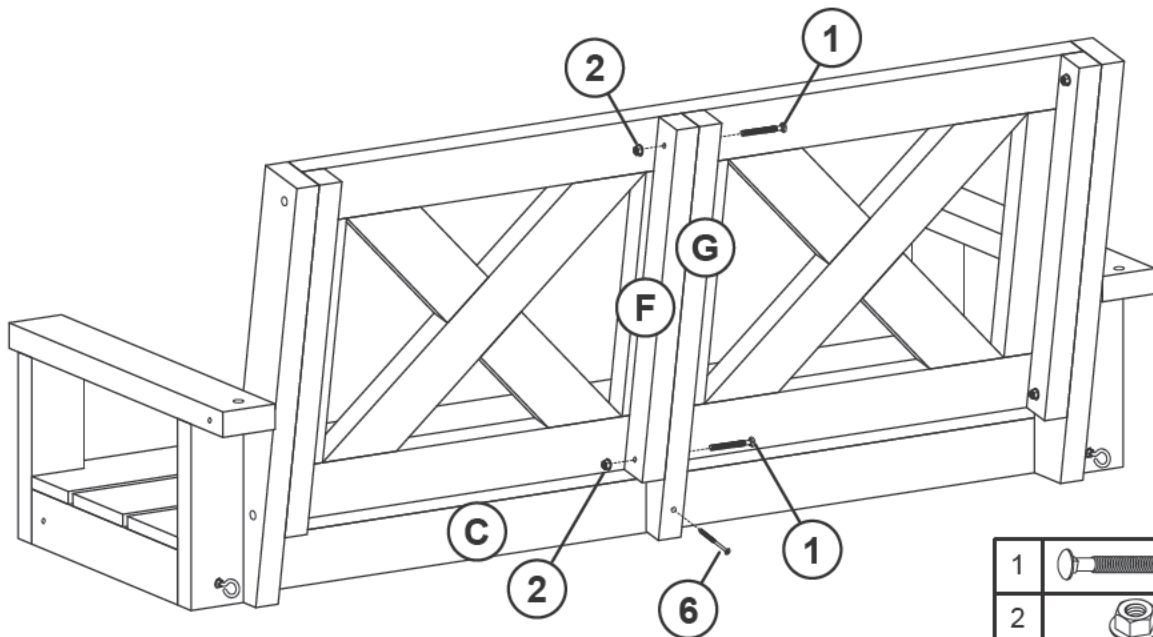
- 5** Fasten Swing Back (F) and Right Back Upright (D) and Left Back Upright (E) using 1/4" x 3 1/4" Carriage Bolts (1) and 1/4" Flange Nuts (2).






1		x4
2		x4

- 6** Fasten Center Back Upright (G) to Swing Back (F) with 1/4" x 3 1/4" Carriage Bolts (1) and 1/4" Flange Nuts (2) then use #8 x 2 1/4" Screw (6) to fasten to the Swing Seat (C).

***Note: Skip this step for Boardwalk swing.**



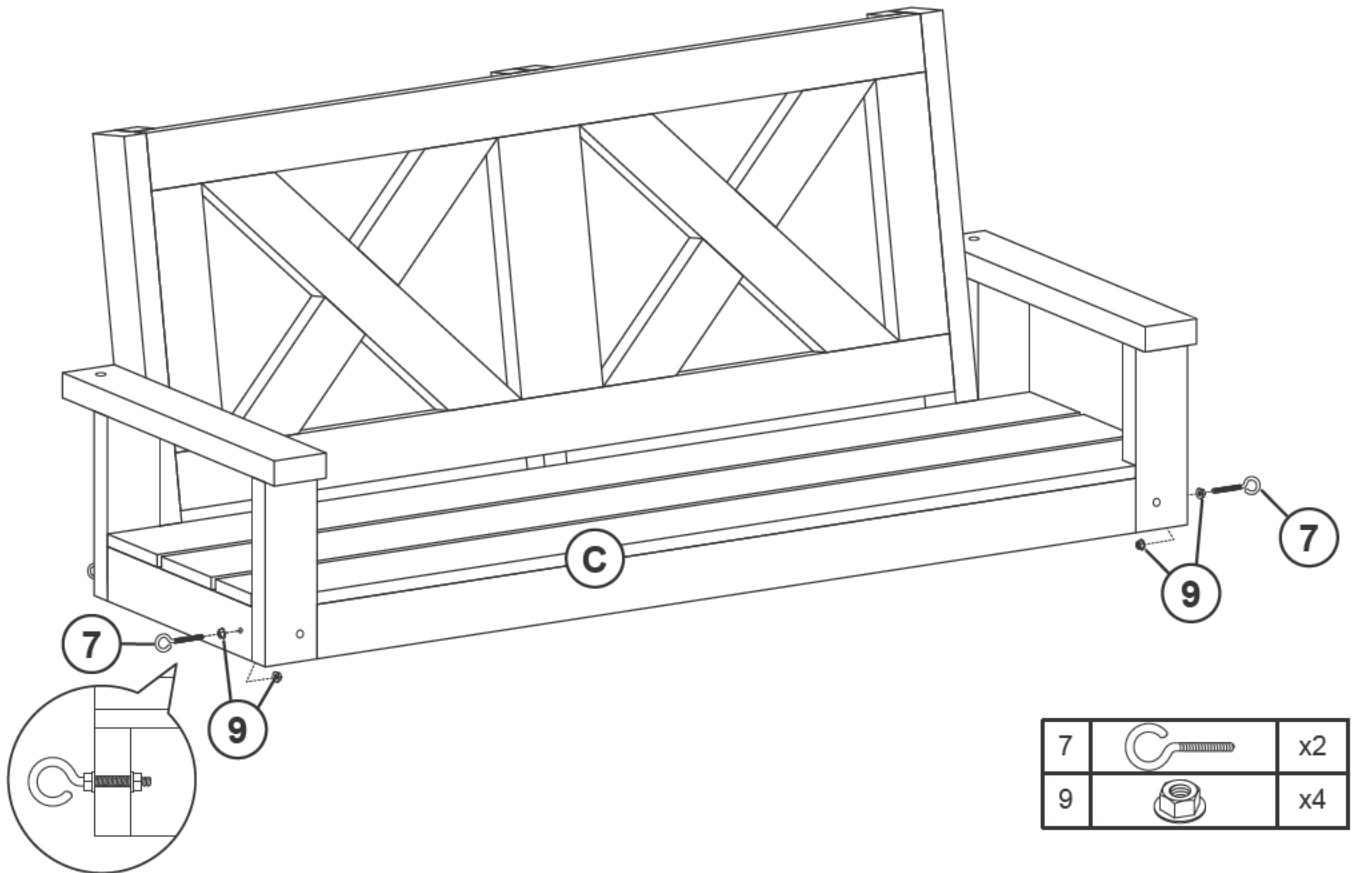
1		x2
2		x2
6		x1

STEP-BY-STEP ASSEMBLY:

7

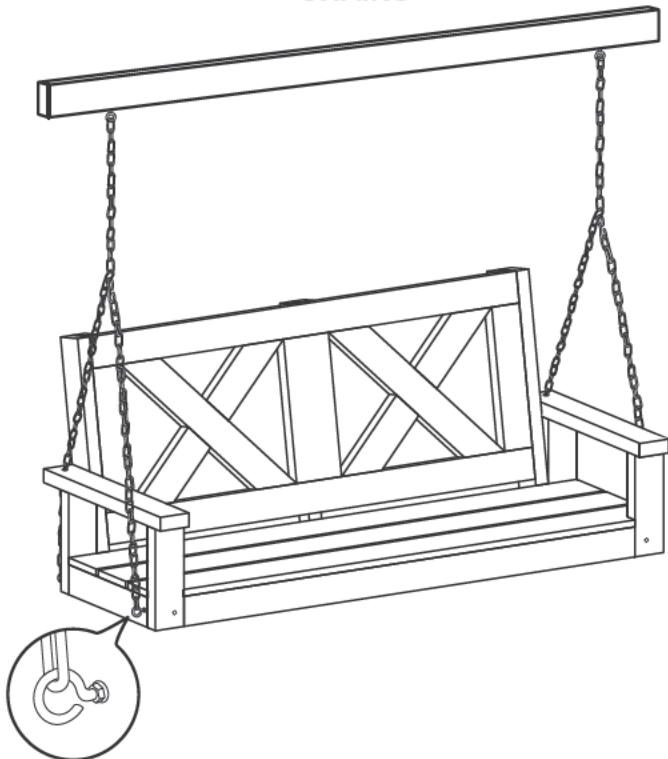
Insert 3/8" x 4" Eyebolts (7) and 3/8" Flange Nuts (9) to both sides of Swing Seat (C).

Note: For chain place eye bolts upright with opening down. For rope place eye bolts flat.



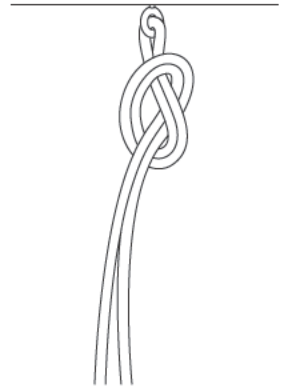
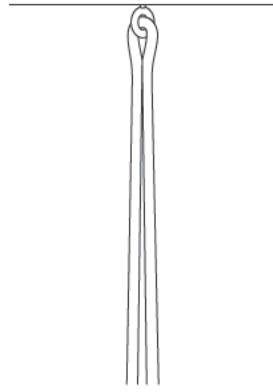
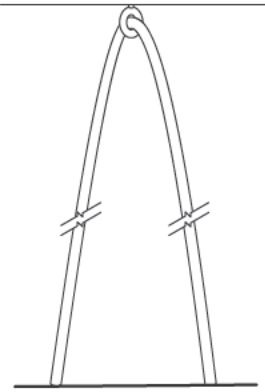
CHAINS

ROPES

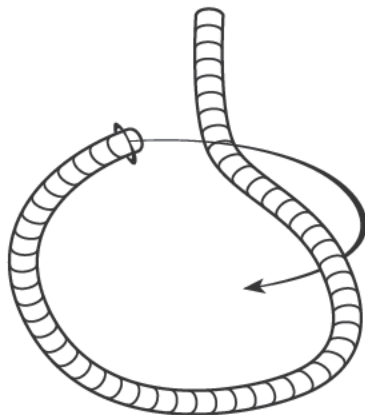


OVERHAND KNOT INSTRUCTIONS - KNOT AT CEILING

- 1 Insert the rope in the hole and make sure to align the ends of the rope
- 2 Hold the rope together
- 3 Form a loop passing the rope end over the standing part and tuck it inside the loop
- 4 Pull the ends to completely tighten



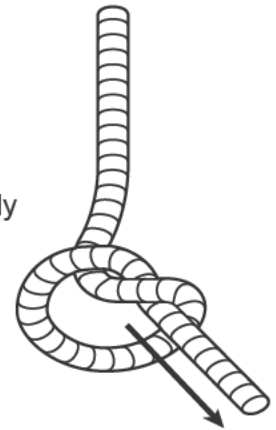
OVERHAND KNOT INSTRUCTIONS - KNOT BELOW EYEBOLT



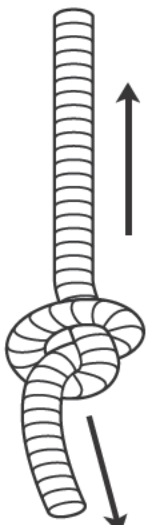
- 1 Thread rope through each eyebolt.

- 2 Below the eyebolt form a loop by passing the tag end over the standing part

- 3 Tuck it inside the loop and pull it out completely



- 4 Pull both ends to completely tighten





Easy Covers

Protect your new Porchgate with our line of custom fit outdoor furniture covers by EasyCovers. Available on Amazon.com and ThePorchSwingCompany.com.



Limited Manufacturer Warranty

Porchgate warrants all wood products for a period of 90 days from date of purchase against structural failure, woodrot and insect infestation.

The original consumer is entitled to receive new wood replacement parts within the warranty period.



Use & Care

The entire Porchgate line is constructed of kiln-dried pine and is designed for outdoor use. Our Natural-Kote stain finish options add another layer of protection and come in a variety of color finish options. They provide adequate protection for covered porches that get occasional weather exposure (rain, etc...). The less exposure your wood furniture has to direct sun, wind, rain, and snow, the longer it will last. If you plan to use your furniture outdoors in full weather exposure we recommend adding a polyurethane, varnish, or lacquer coating. It can easily be applied on top of our stain finishes. We recommend contacting your local paint shop for their specific recommendation. Their recommendation will be best for your local climate and weather conditions.

Care & Cleaning

Dirt build-up leads to deterioration, so keeping your outdoor wood furniture clean will give it a longer life. Clean it well two or three times per year with water, mild soap, and a soft cloth. (This is also the perfect time for a periodic hardware check.) Hose it down before you start to remove cobwebs and caked-on dirt. Do not use abrasive cleaners, bleach, or scouring products that will affect the finish. Dry the furniture thoroughly when done.

WARNING: California's Proposition 65

This product can expose you to chemicals including wood dust, which is known to the State of California to cause cancer.