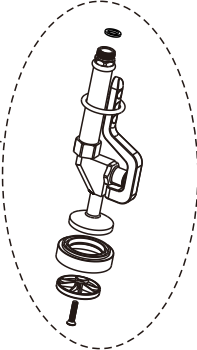
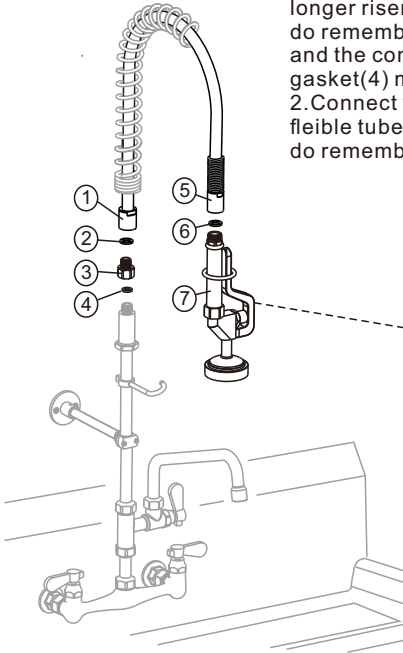
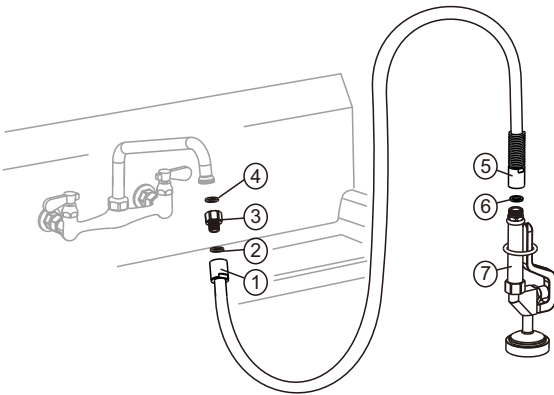


1. Connect the other side of the longer riser to the flexible hose (1) , do remember the gasket(2) inside and the connector (3) with the gasket(4) must be tightly screwed.
 2. Connect the other side of the fleible tube (5) with the spray(7) , do remember the gasket(6) inside.



1. Connect the swing nozzle to the flexible hose(1) , do remember the gasket(2) inside and the connector (3) with the gasket(4) must be tightly screwed.
 2. Connect the other side of the fleible tube (5) with the spray(7) , do remember the gasket(6) inside.



unit:inch (mm)

