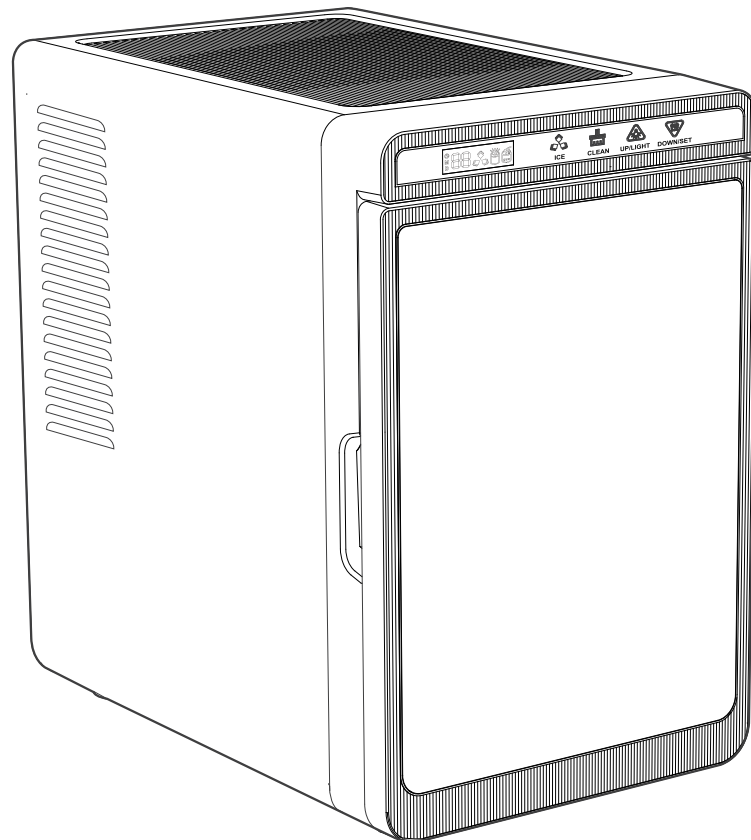


PORTABLE CUBE ICE MAKER USER MANUAL

HZBF-0340



It is important that you read these instructions before using your portable ice maker and we strongly recommend that you keep them in a safe place for future reference.



Scan the QR code to get in the touch with the service team



Web: www.electacticshop.com



Email: service@electacticshop.com

CONTENT

IMPORTANT SAFETY INSTRUCTIONS	1
KNOWING YOUR UNIT	3
An Overview Of The Machine	3
Operation Panel & Display Screen	4
BEFORE FIRST USE	5
Placement Instructions	5
Grounding Instructions	5
Pre-Clean Instructions	6
USING YOUR ICE MAKER	6
How To Make Ice	6
Transparent Ice-Making Mode	8
How To Set The Timer	9
How To Set The Ice Size	9
SYSTEM CLEANING PROCEDURE	11
TROUBLESHOOTING	13

Your safety and the safety of others are very important.

We have provided many important safety messages in the manual for your appliance.

All safety messages will tell you what the potential hazard is, how to reduce the chance of injury, and what can happen if the instructions are not followed. Always read and obey all safety messages.

All safety messages will follow the safety alert symbol and the word “DANGER” or “WARNING” as shown below:

 **DANGER**

 **WARNING**

These words mean:

Serious injury may occur if you don't immediately follow the instructions.

When using electrical appliances, basic safety precautions should be followed to reduce the risk of fire, electric shock, and injury to persons or property. Read all instructions before using any appliance.

- Do not operate this, or any other appliance with a damaged cord.
- If the supply cord is damaged, it must be replaced by the manufacturer or its service agent or a similarly qualified person in order to avoid a hazard.
- This ice-maker must be positioned so that the plug is accessible.
- Connect to properly grounded outlets only. No other appliance should be plugged into the same outlet. Be sure that the plug is fully inserted into the receptacle.
- Do not run the power cord over carpeting or other heat insulators. Do not cover the cord. Keep cord away from traffic areas, and do not submerge in water.
- We do not recommend the use of an extension cord, as it may overheat and become a risk of fire. If you must use an extension cord, use No.14AWG minimum size and rated no less than 1875 watts.
- Unplug the ice maker before cleaning or making any repairs or servicing.
- Exercise caution and use reasonable supervision when appliance is used near children.
- Do not use your ice-maker outdoors. Place the ice-maker away from direct sunlight and make sure that there is at least 6 inches of space between the back of your unit and wall. Keep a minimum distance of 6 inches on each side of your unit free.

- Do not use other liquid to make the ice-cube other than water.
- Do not clean your ice maker with flammable fluids. The fumes can create a fire hazard or explosion.
- Do not tip over.
- If the ice maker is brought in from outside in wintertime, give it a few hours to warm up to room temperature before plugging it in.
- **WARNING** – This appliance must be earthed.
- **DANGER** – Risk Of Fire or Explosion. Flammable Refrigerant Used. Do Not Use Mechanical Devices To Defrost Ice Maker. Do Not Puncture Refrigerant Tubing.



- **DANGER** – Risk Of Fire Or Explosion. Flammable Refrigerant Used. To Be Repaired Only By Trained Service Personnel. Do Not Puncture Refrigerant Tubing.
- **CAUTION** – Risk Of Fire Or Explosion. Flammable Refrigerant Used. Consult Repair Manual/Owner’s Guide Before Attempting To Install or Service This Product. All Safety Precautions Must be Followed.
- **CAUTION** – Risk Of Fire Or Explosion. Dispose Of Property In Accordance With Federal Or Local Regulations. Flammable Refrigerant Used .
- **CAUTION** – Risk Of Fire Or Explosion Due To Puncture Of Refrigerant Tubing; Follow Handling Instructions Carefully. Flammable Refrigerant Used.
- The ice maker should be installed in accordance with the safety standard for Refrigeration Systems, ASHRAE15. The ice maker shall not be installed in corridors or hallways of public buildings.
- If the unit is with problem need to be maintained, that replacing with like components and that servicing shall be done by factory authorized service personnel, so as to minimize the risk of possible ignition due to incorrect parts or improper service.

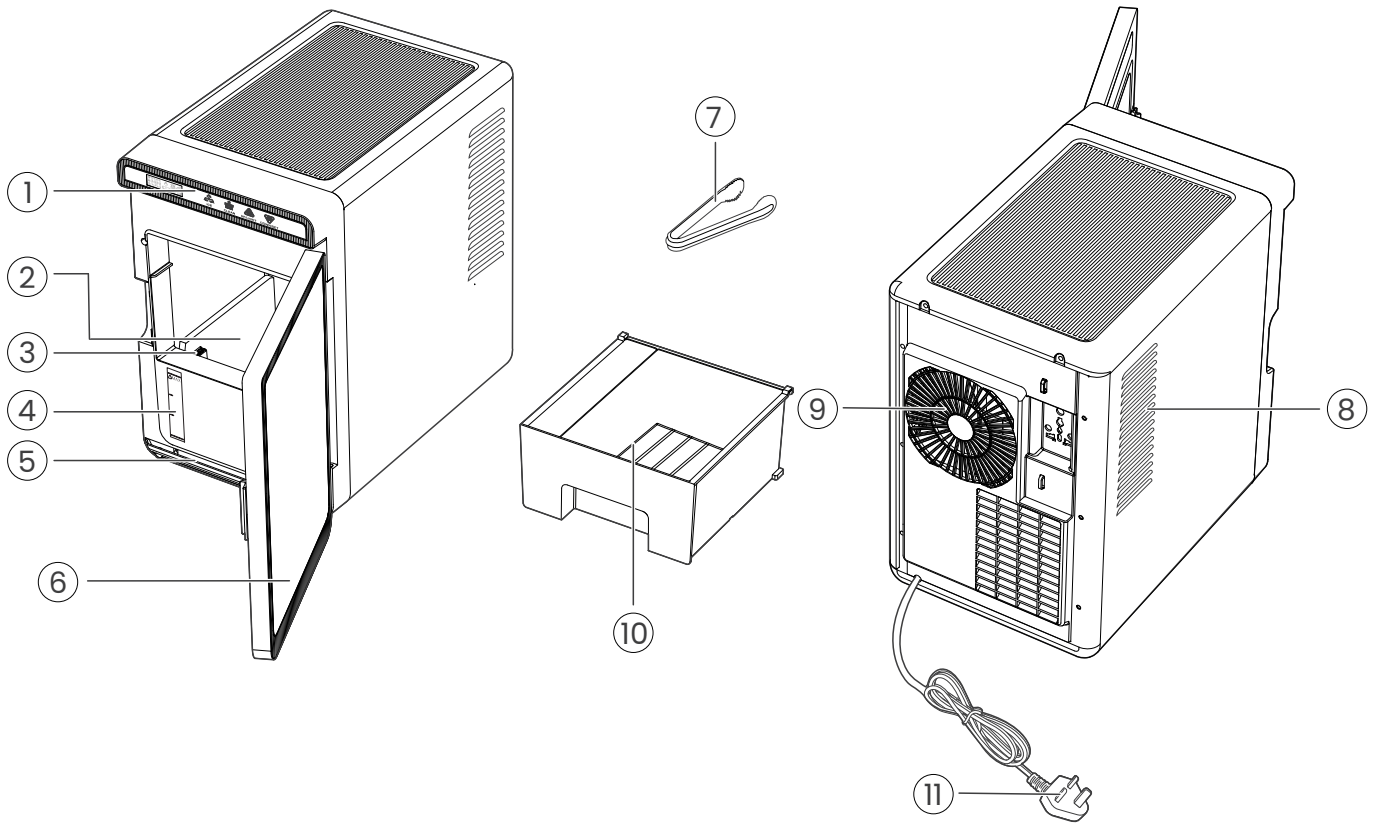
IMPORTANT:

The wires in this mains lead are colored in accordance with the following code:

Green or Green with a strip yellow	Grounding
White	Neutral
Black	Live

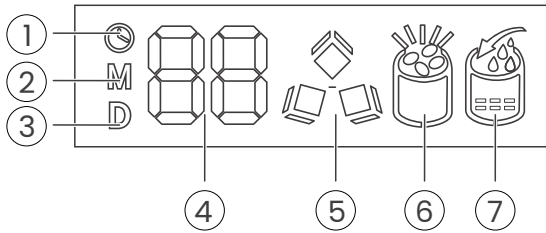
To avoid a hazard due to instability of the appliance, it must be placed at an even or flat surface.

An Overview Of The Machine



①	Operation panel & display screen	②	Water reservoir
③	Maximum water level	④	Water level indication
⑤	Water tray	⑥	Door
⑦	Ice clip	⑧	Air inlet
⑨	Hot air outlet	⑩	Ice storing drawer
⑪	Power cord	⑫	Water drain cap at the front bottom (not shown)

Operation Panel & Display Screen



ICE



CLEAN



UP/LIGHT



DOWN/SET

● Display Screen:

1. Timer icon: The icon indicates that a timer is set.
2. M icon: The icon indicates the remaining ice-making time or cleaning time.
3. D icon: The icon indicates the adjustment for the ice-making cycle time.
4. The number indicates the remaining ice-making time, or the adjustment for the ice-making time, or the Timer time for quitting or automatically starting work, or the remaining cleaning time.

NOTE: When the machine is making ice, the above-mentioned ice-making time, the adjustment for the ice-making time, and the Timer time will be automatically switched on the display screen.

5. Ice-making indicator: When the indicator is solid, it indicates the normal ice-making mode. When the indicator flashes, it indicates the transparent ice-making mode.

6. Ice full indicator

7. Water shortage indicator

● ICE button:

1. Press to start or stop the ice-making.
2. In ice-making mode, press the button for about 2s to switch to the transparent ice-making mode. Press for about 2s again to switch back to the normal ice-making mode.
3. When setting the Timer or adjust the ice-making cycle time, press the button to confirm the settings.

● CLEAN button:

Press to enter or exit the cleaning mode.

● UP/LIGHT button:

1. Press to turn on or off the light.
2. When setting either of the two Timers, press the button to increase the Timer time.
3. When adjusting the ice-making cycle time, press the button to increase the ice-making cycle time.

● DOWN/SET button:

1. In standby mode, press the button once to set the Timer for automatically starting work, or press for about 5s to adjust the ice-making cycle time.
2. In ice-making mode, press the button once to set the Timer for quitting work.
3. When setting either of the two Timers, press the button to decrease the Timer time.
4. When adjusting the ice-making cycle time, press the button to decrease the ice-making cycle time.
5. After the setting of either of the two Timers is completed, press the button to re-enter the setting mode, then you can reset or just wait for the number "00" to flash for several times before it automatically cancels the Timer.

BEFORE FIRST USE

Placement Instructions

1. Remove the exterior and interior packaging, and then check all the accessories are included. If any parts are missing, please contact our customer service.
2. Remove all the tapes on the unit, take out the accessory parts inside.
3. Clean the interior with lukewarm water and a soft cloth.
4. Locating your ice maker on a level counter table far from direct sunlight and other sources of heat (i.e.: stove, furnace, and radiator). Make sure that there is at least 6 inches between the back and sides of your ice maker with the wall.
5. Allow two hours for the refrigerant fluid to settle down before plugging your ice maker in.
6. The power plug must be accessible directly.

WARNING: Fill with potable water only. Only use drinking water.

Grounding Instructions



Improper use of the grounded plug can result in the risk of electrical shock. If the power cord is damaged, please contact our customer service.

1. This unit should be properly grounded for your safety. The power cord of this appliance is equipped with a grounding plug which mates with standard grounding wall outlets to minimize the possibility of electric shock.
2. Plug your appliance into an exclusive, properly installed, grounding wall outlet. Do not, under any circumstances, damage the grounding means of the plug. Any questions concerning power and/or grounding should be directed toward a certified electrician.
3. This appliance requires a standard 110-120Volt, 60Hz electrical outlet with good grounding means.

Pre-Clean Instructions

Before using your ice maker, it is strongly recommended to clean it thoroughly.

Make sure that the machine is unplugged before cleaning or making any maintenance.

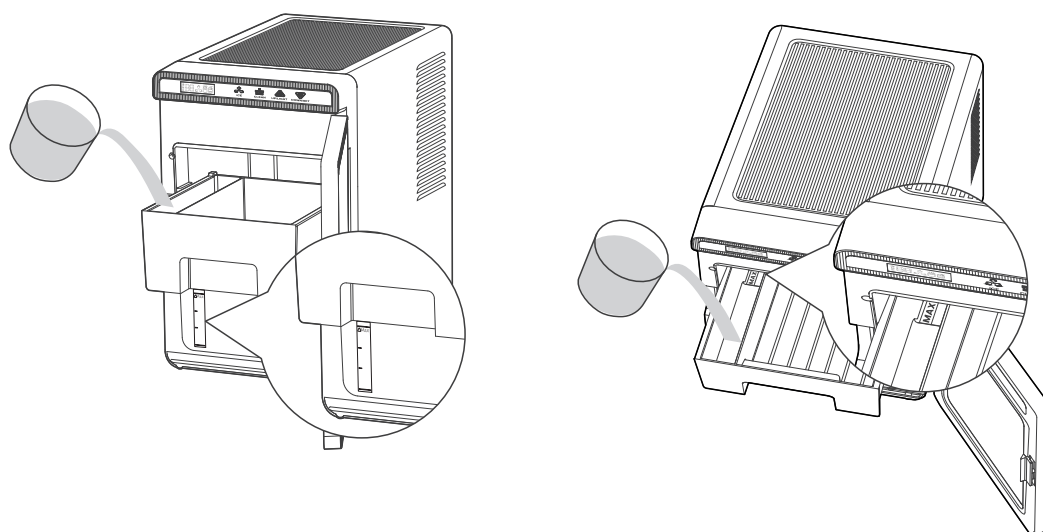
1. Move the machine to the edge of the desktop, then put a container under the desktop. Fill the tank with clean water to rinse the inside parts.
2. Unplug the water drain cap at the front bottom to drain the water inside the unit, then reinsert the water drain cap.
3. The outside of the ice maker should be cleaned regularly with a mild detergent solution and warm water.
4. Dry the interior and exterior with a clean soft cloth.

TIPS: After the appliance has not been used for a long time, it is also recommended to clean the appliance before you start to make ice.

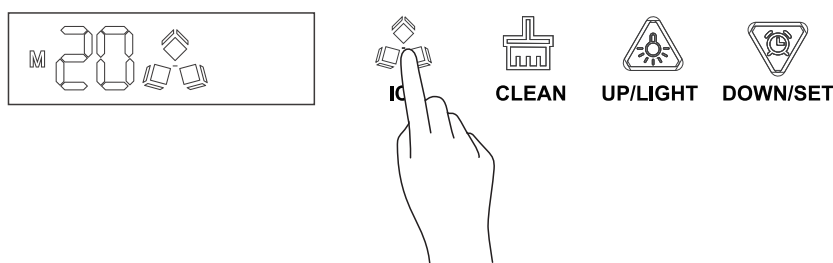
USING YOUR ICE MAKER

How To Make Ice

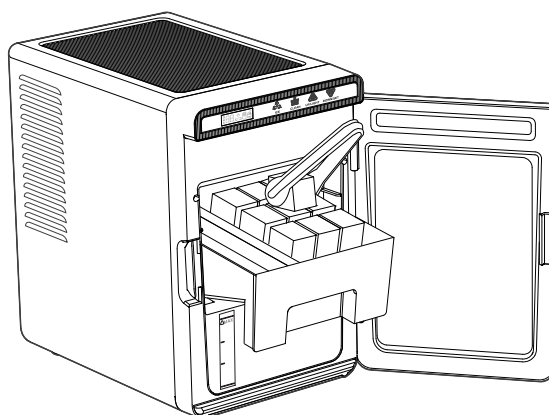
1. Before making ice, please make sure the water drain cap has been inserted into the appliance.
2. Pour potable water through the drawer into the water reservoir as shown below. Please do not exceed the maximum line, add 0.53 gallon (2 liters) water at most at one time.



3. After adding water, close the drawer and then put the water tray back in place.
4. Plug in the power cord and press the ICE button, the machine begins to work. The screen will display ice-making indicator and a countdown. You can press the button again to stop making ice at any time.

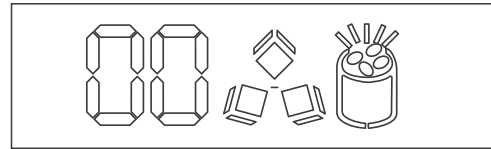
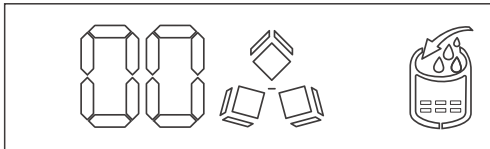


5. After the countdown is over, one round of ice making is completed, open the drawer and enjoy them. The machine will keep making ice until there is a shortage of water or the ice storing drawer is full.



NOTE: Verify the water level periodically during the ice-making. If the water in the reservoir runs out, the ice maker will stop automatically, and the water shortage indicator will appear as shown below. You need to pour water into the water reservoir, then the machine will automatically start ice-making.

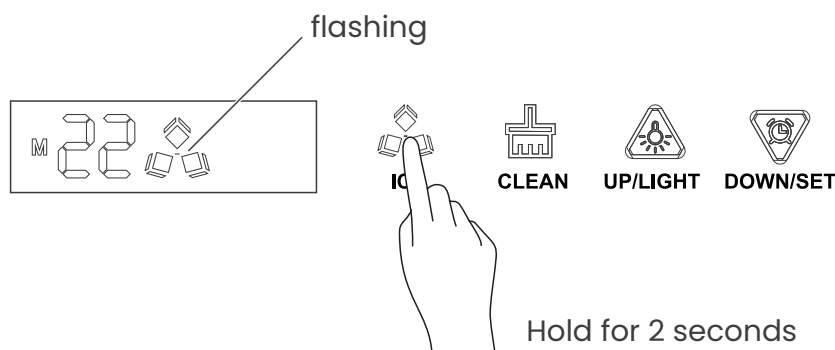
NOTE: The ice maker will automatically stop working when ice storing drawer is full of the ice-cubes. The ice full indicator appears as shown below.



Transparent Ice-Making Mode

In the ice-making mode, press the ICE button for about 2 seconds to switch to the transparent ice-making mode, the ice-making indicator will flash. The evaporation temperature of the system will be higher, so the ice will be more transparent, but the ice-making time is longer.

Press the ICE button for about 2 seconds again to switch back to the normal ice-making mode, the ice-making indicator stops flashing. The machine will produce normal ice cubes, meaning the ice cubes will have more cracks and the ice-making speed will be faster.



How To Set The Timer

In standby mode, you can set the Timer for automatically starting work (as shown in the Fig. a). In ice-making mode, you can set the Timer for quitting work (as shown in the Fig. b). The adjustment range is 0 to 24 hours.

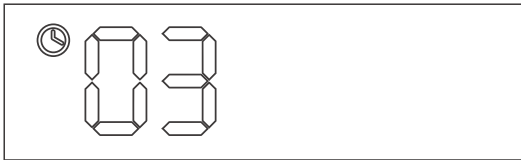


Fig. a Start ice making in three hours

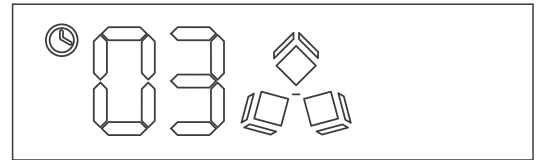
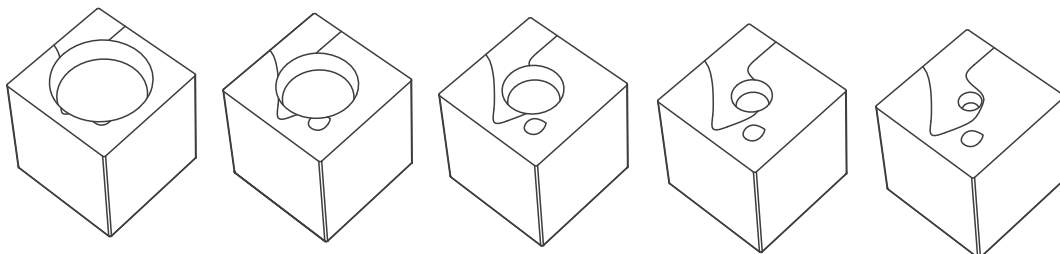


Fig. b Exit ice making after three hours

1. When setting either of the two Timers, press the DOWN/SET button first, then press the UP/LIGHT or DOWN/SET button to increase or decrease the Timer time.
NOTE: Each time a button is pressed, the time changes by one hour.
2. Press the ICE button or wait for the number to flash for several times to confirm the setting.
3. After the setting of either of the two Timers is completed, press the DOWN/SET button to re-enter the setting mode, then you can reset or just wait for the number "00" to flash for several times before it automatically cancels the mode.
4. After setting the Timer for quitting work in ice-making mode, you can press the ICE button to quit ice-making process and the Timer mode simultaneously.
5. After setting the Timer for automatically starting work, you can also press the ICE button to directly start the ice-making process.

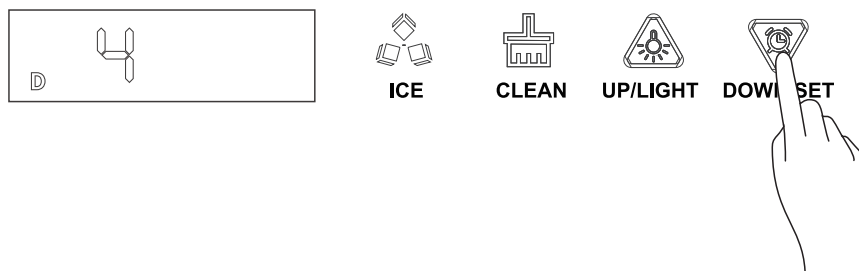
How To Set The Ice Size



Usually, there is a hole on one side of the ice cube, we can adjust the size of the hole by setting the ice-making cycle time.

When the unit is in standby mode, hold the DOWN/SET button for about 5 seconds to adjust the ice-making cycle time. When the screen shows D icon, press the UP/LIGHT button to increase the time, the hole will get smaller. Press the DOWN/SET button to decrease the time, the hole will get bigger.

The setting will be saved for the subsequent cycles.

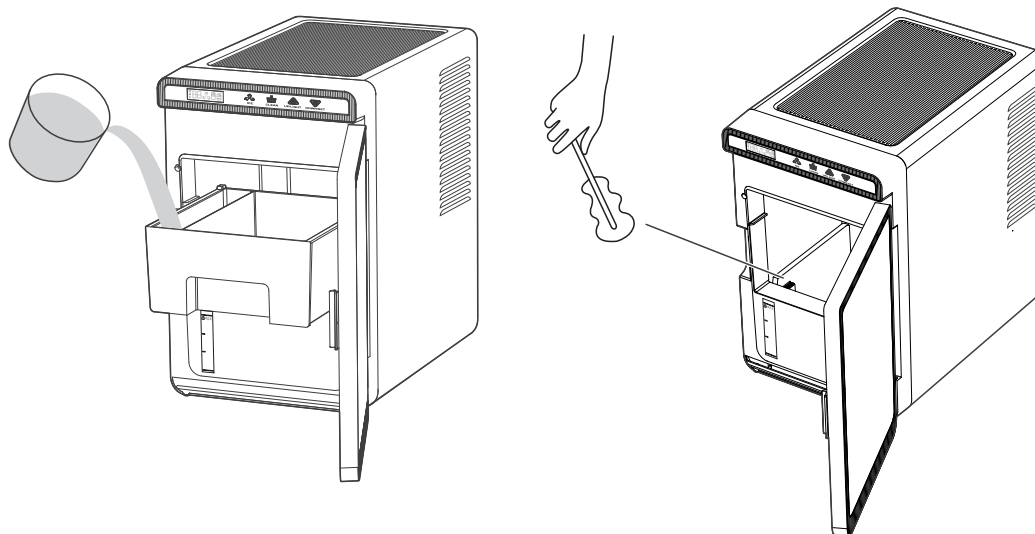


We suggest keeping a certain size of hole to avoid freezing the sprinkler pipe!

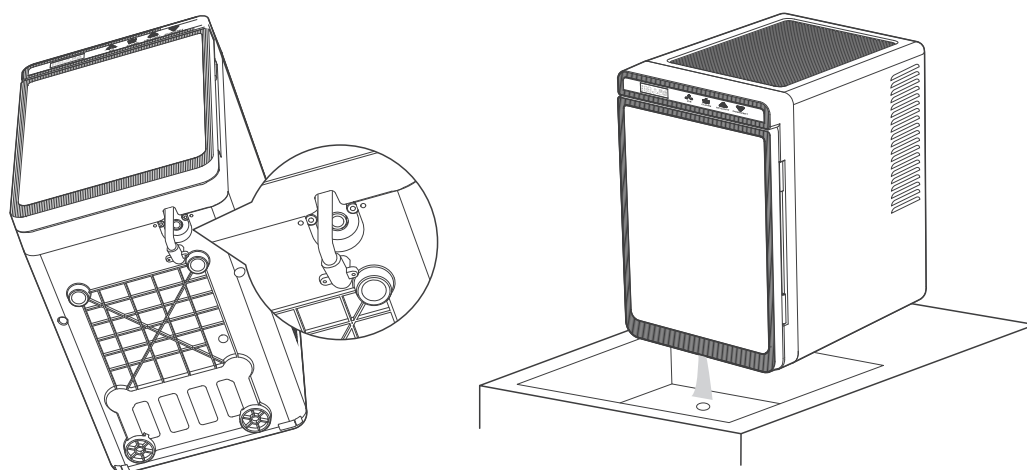
TIPS:

1. Due to the large volume and weight of a single ice cube, we recommend using a clip to hold the ice cube.
2. The adjacent ice cubes will stick together during the melting process, apply appropriate force to separate them.
3. After using the ice maker continuously for more than one month, please thoroughly clean the entire unit before use.
4. When the ice in the drawer is too full, opening the drawer may get a bit stuck. You can move the stuck ice cubes away before completely opening the drawer.
5. Slowly add the water when the reservoir is almost full to avoid overflowing beyond the maximum mark.
6. Replace the water in the reservoir every 24 hours to ensure cleanliness inside the unit.
7. When the machine is not to be used for a long time, drain water completely and dry the interior.

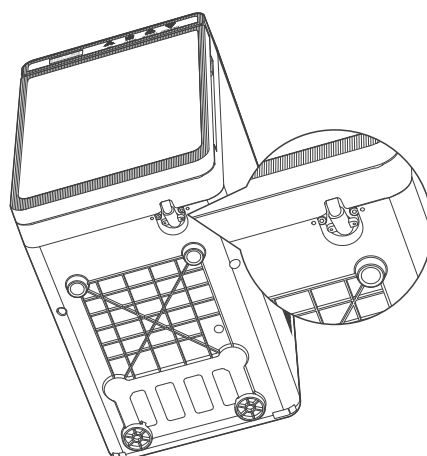
1. Unplug the ice maker and pour potable water into water reservoir (2L at most). Clean the water reservoir with a soft brush.



2. Take off the bottom drain cap to drain out the water into a sink as shown below.



3. Replace the drain cap as shown below.



4. Pour potable water into the water reservoir (2L at most). Plug in the ice maker and press the CLEAN button to initiate the cleaning process (15 minutes).

NOTE: It is recommended to activate the cleaning once a month to clean the interior parts of the unit.

5. After the countdown on the screen ends, take off the drain cap and drain out the water to a sink. Then replace the drain cap.

PROBLEM	POSSIBLE CAUSE	SOLUTION
Add water indicator lights up when there is water in the reservoir.	<ul style="list-style-type: none"> • The float ball is faulty. 	<ul style="list-style-type: none"> • Verify by a qualified technician.
Ice full indicator lights up when there is no ice cube inside the drawer.	<ul style="list-style-type: none"> • The ice-full detector malfunctioned. 	<ul style="list-style-type: none"> • Verify by a qualified technician.
The display screen shows E3.	<ul style="list-style-type: none"> • The system is under repair. 	<ul style="list-style-type: none"> • It will automatically resume work. When this problem occurs frequently, please decrease the ice making cycle time.
The display screen shows E1/E4.	<ul style="list-style-type: none"> • Flip motor malfunction. 	<ul style="list-style-type: none"> • Shut down for more than 20 minutes and decrease the ice making cycle time. • Verify by a qualified technician.
E2 flashes on the panel.	<ul style="list-style-type: none"> • Ambient temperature or water temperature in reservoir is too high. • Refrigerant liquid leakage. • Pipe in the cooling system is blocked. 	<ul style="list-style-type: none"> • Please run the ice maker below 90°F ambient and pour colder water into tank. • Restart ice making, if this problem show up again, verify by a qualified technician.
The machine makes ice slowly.	<ul style="list-style-type: none"> • Hot Air outlet has been blocked by something. • Water temperature in inner tank is too high. • Refrigeration system malfunctions. 	<ul style="list-style-type: none"> • Hot air outlet must be guaranteed to have more than 6 inches of ventilation distance. • Water temperature requirement between 45°F-90°F. • Verify by a qualified technician.
Water leakage occurs.	<ul style="list-style-type: none"> • Drain plug not in place. • Pipe Joint in the appliance may Loose. • Add too much water. 	<ul style="list-style-type: none"> • Put the drain plug in place. • Verify by a qualified technician. • Do not exceed the maximum line.

Thank you for purchasing this product! If you have any question about the product, such as missing parts, damaged products, product assembling, and operation, please contact us via customer service number: service@electacticshop.com