

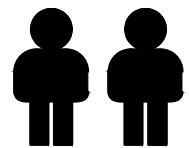
ITEM NO. NSLS1755



Weight Limitation
80 LBS



Installation:
30 minutes.



Two Person

Thank You For Choosing Our Furniture

▀ If you have any questions or concerns,
don't hesitate to reach out to us. ▀

Contact us: +1(833)324-2464
Email: customerservice@hulalahome.com

NOTE:

This brochure contains
IMPORTANT safety info.
Please read and keep it
for future reference.

MAINTENANCE AND WARNINGS



Before You Start

Please follow the steps below:

- ⚠ Check the packaging for any damage, deformation, or water stains. If there is significant damage, please contact us promptly.
- ⚠ Unpack the box and compare the contents with the parts list and hardware list to ensure all components and accessories are present and complete.
- ⚠ Please read the installation instructions carefully to understand the installation steps and precautions to ensure proper installation.
- ⚠ Clean the installation area in advance and ensure the ground is level and there is enough space to avoid damaging the furniture or making installation difficult.
- ⚠ Lay a protective mat on the ground to prevent scratching the floor during installation.

After-Sales Service

- If you encounter any issues or need technical support during use, please contact our after-sales team. We offer long-term maintenance and warranty services.



Precautions

- ⚠ This product is for indoor use only. Do not expose it to outdoor elements or high-humidity environments.
- ⚠ Keep the product away from high heat or open flames to prevent fire hazards.
- ⚠ Do not allow children to climb on the product, as this may cause tipping and result in personal injury.



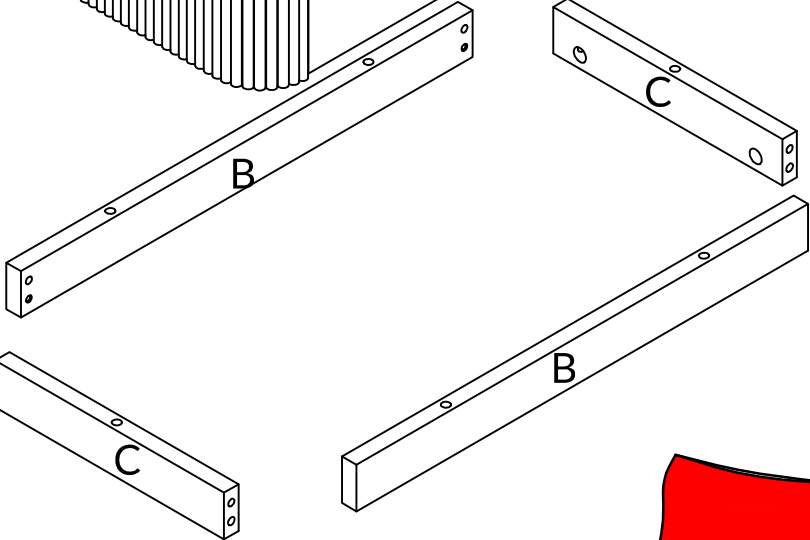
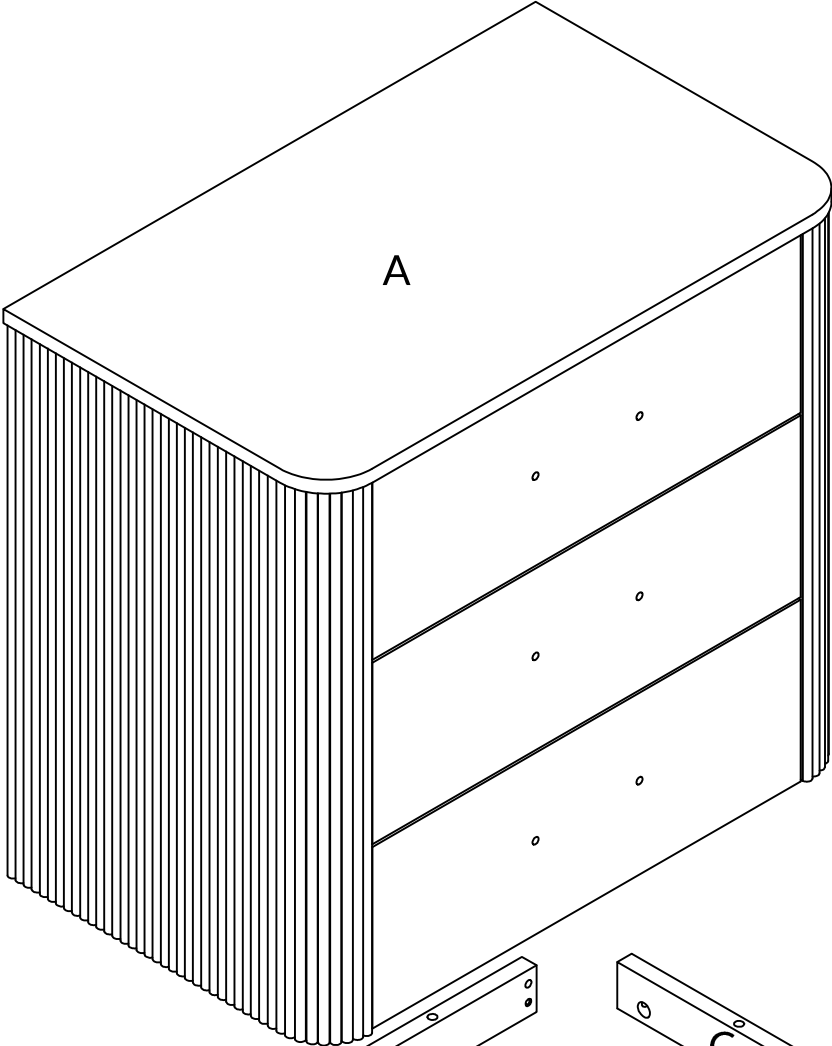
Safety Warnings

- ⚠ If you notice any loose or damaged parts, stop using the product immediately and contact customer service.
- ⚠ Do not attempt to disassemble or replace any components yourself, as this may affect the stability and safety of the product.

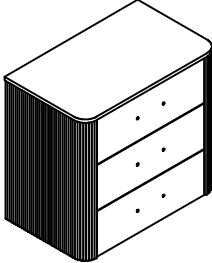
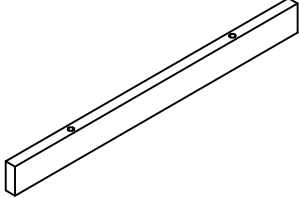
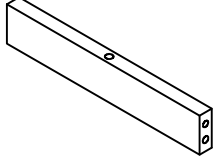

Daily Maintenance

- Regularly clean the surface with a soft cloth to prevent dust accumulation.
- Do not use cleaning agents containing acids, alkalis, or corrosive substances, as they may damage the surface. It is recommended to use neutral cleaning agents or specialized furniture cleaners.
- Avoid exposing furniture to humid environments for extended periods. Use a dehumidifier or desiccant during humid weather.
- Avoid direct contact of furniture with water. If water is accidentally spilled, wipe it dry immediately.
- Avoid placing excessively heavy objects on the furniture: ensure the weight is within a reasonable load-bearing range.
- Avoid using sharp or rough items on the furniture surface to prevent scratches. Handle items gently when moving them.


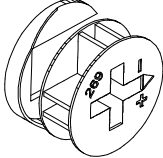
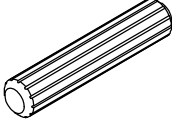
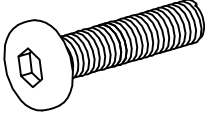
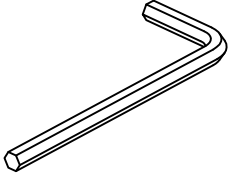
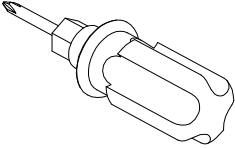

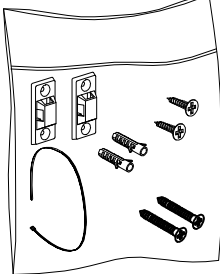
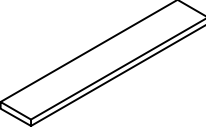
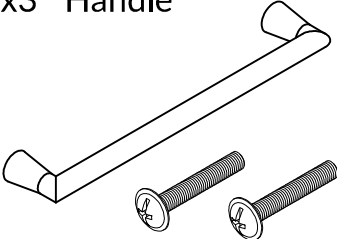
Explosive view



Parts list

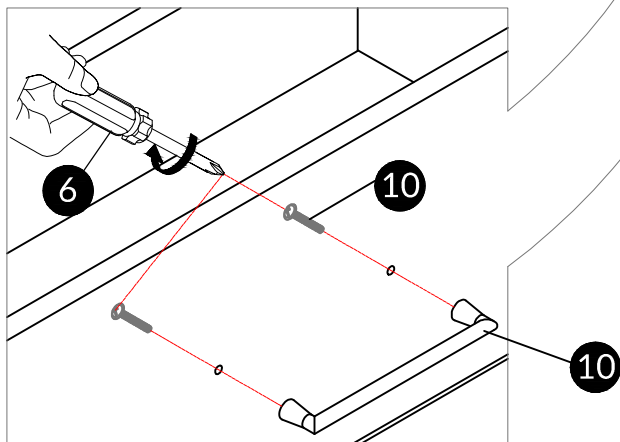
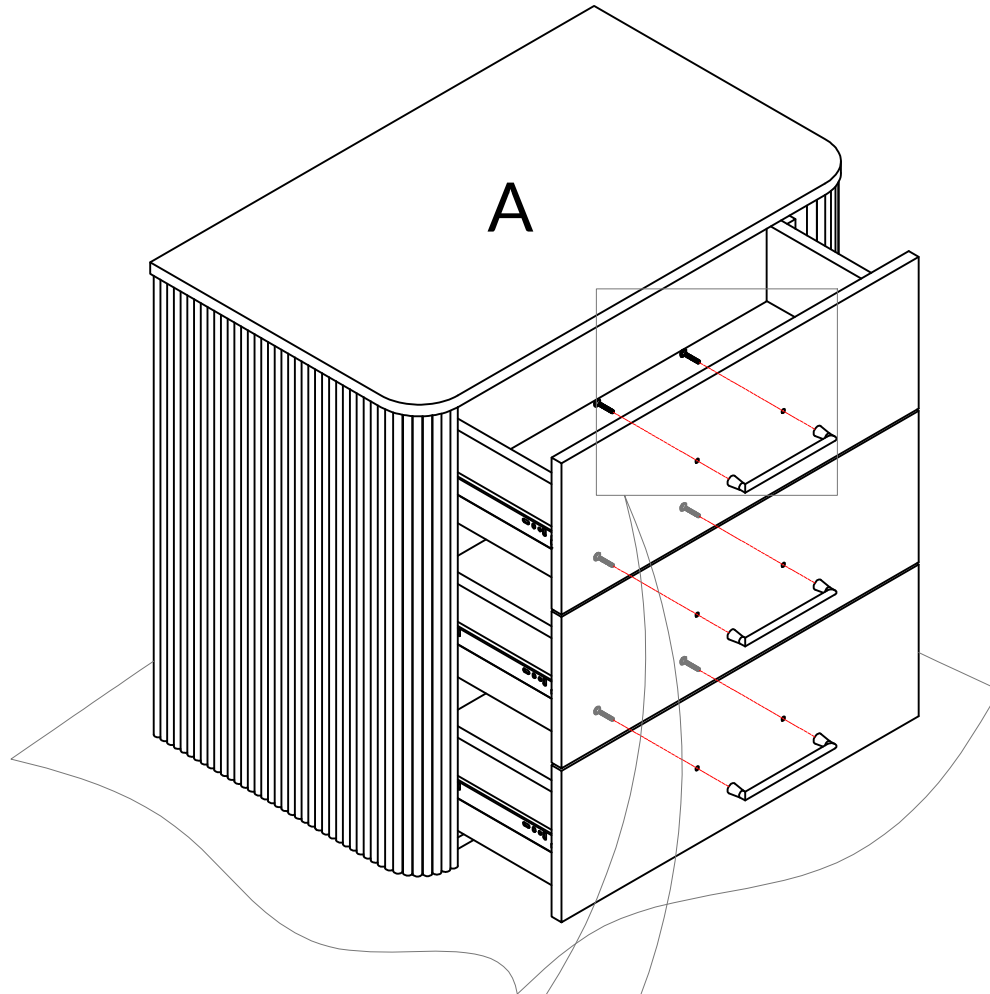
<p>A x1 Cabinet</p> 	<p>B x2 Long walled board</p> 	<p>C x2 Short walled board</p> 
<p>D x1 Hardware Pack</p> 		

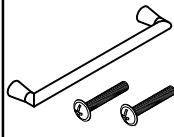
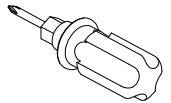
Hardware List

<p>①x4+1 Screw</p>  <p>Ø6x35mm</p>	<p>②x4+1 Cam bolt</p>  <p>Ø15x9.5mm</p>	<p>③x4+1 Wood plug</p>  <p>8x30mm</p>
<p>④x6+1 Screw</p>  <p>M6x50</p>	<p>⑤x1 Hex key</p>  <p>M4</p>	<p>⑥x1 Cross wrench</p> 
<p>⑦x4+1 Screw hole sticke</p>  <p>φ21</p>	<p>⑧x2 Anti-tip hardware kit</p> 	<p>⑨x4 Felt strip</p>  <p>100x15x2mm</p>
<p>⑩x3 Handle</p>  <p>4x16mm</p>		

Step 1

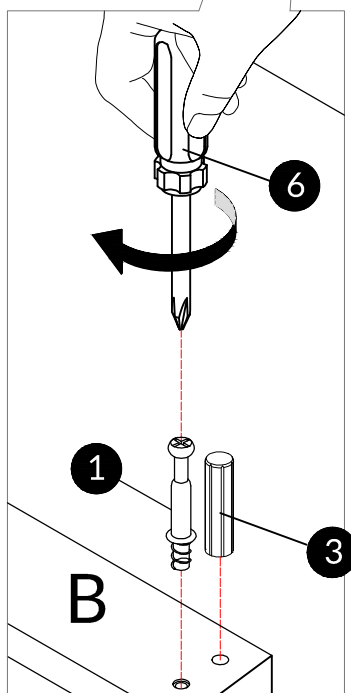
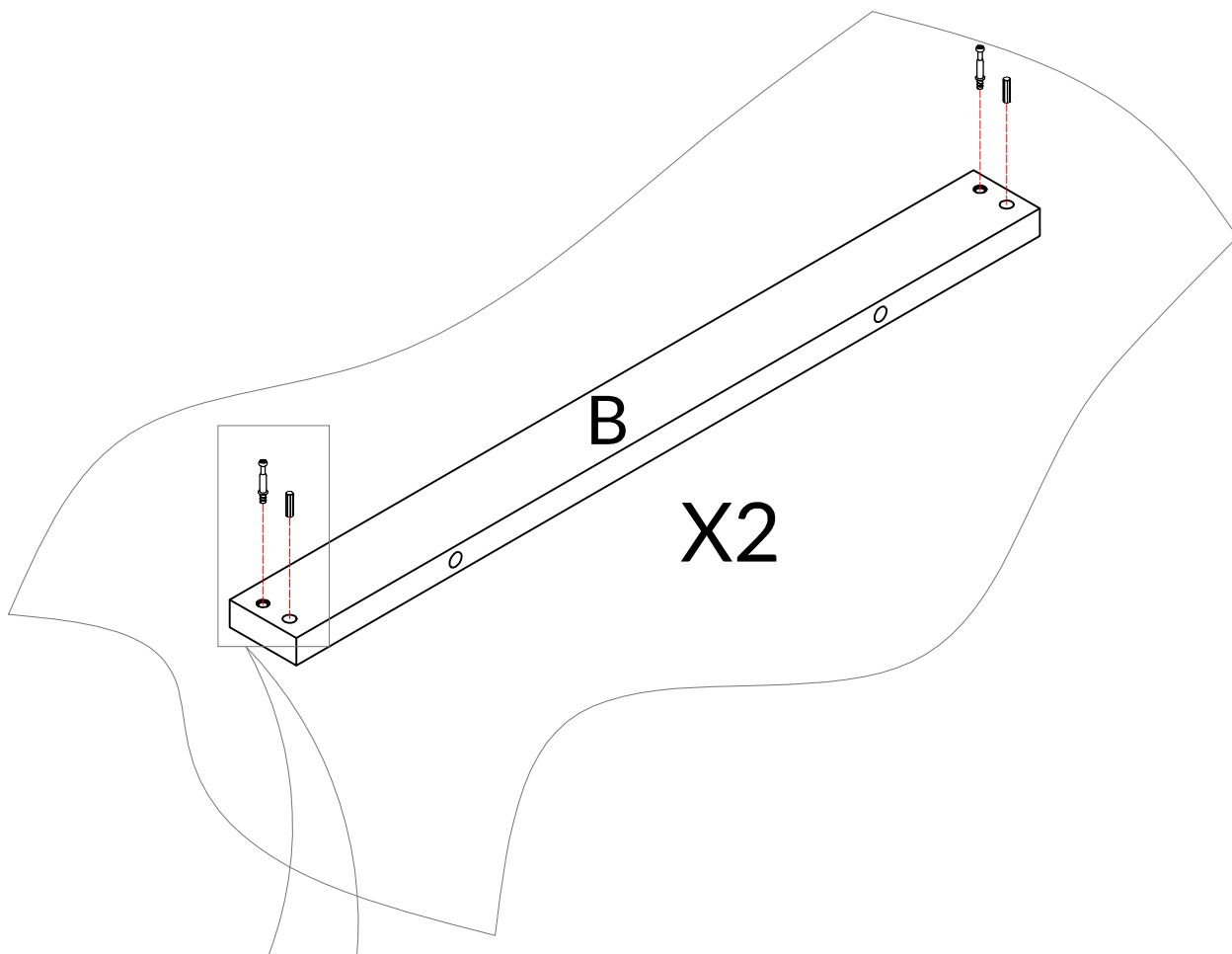
Use screw ⑩ to attach middle drawer (A), tighten screw ⑩ with screwdriver ⑥.



⑩x3	⑥x1
	
4x16mm	

Step 2

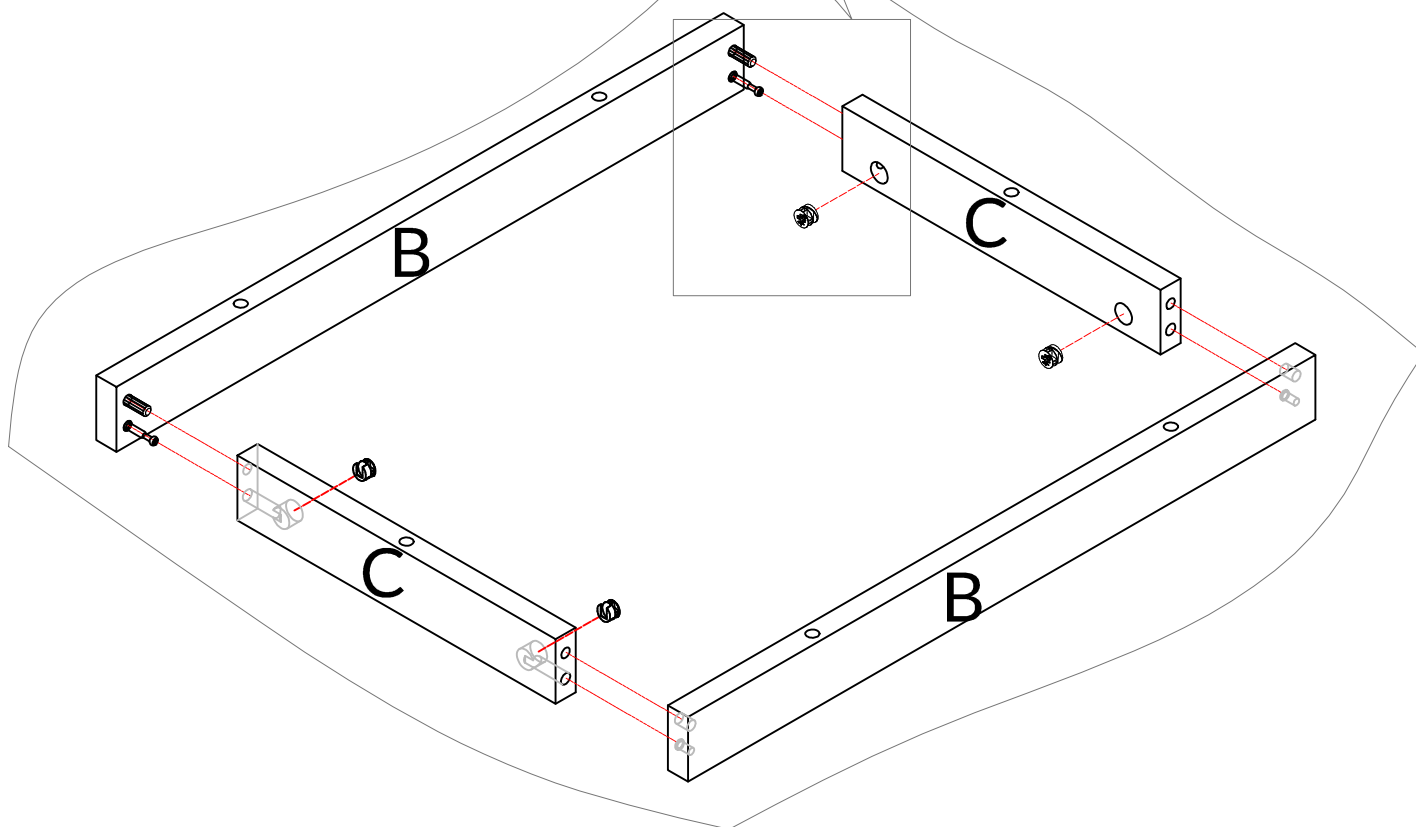
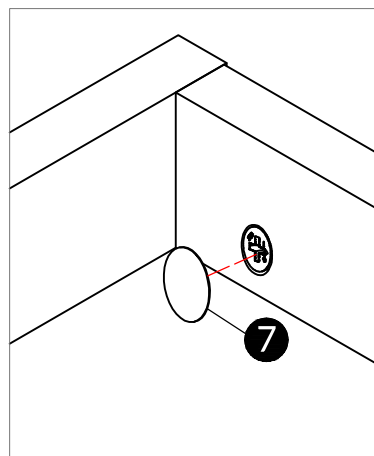
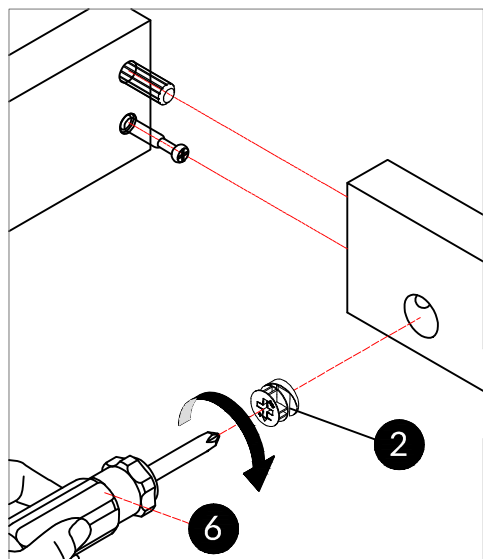
1. Insert bolt ① into the corresponding hole of top panel (B), tighten bolt ① with screwdriver ⑥.
2. Insert wooden dowel ③ into the corresponding hole of panel (B)



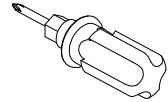


①x4	③x4	⑥x1
Ø6x35mm	8*30mm	

Step 3

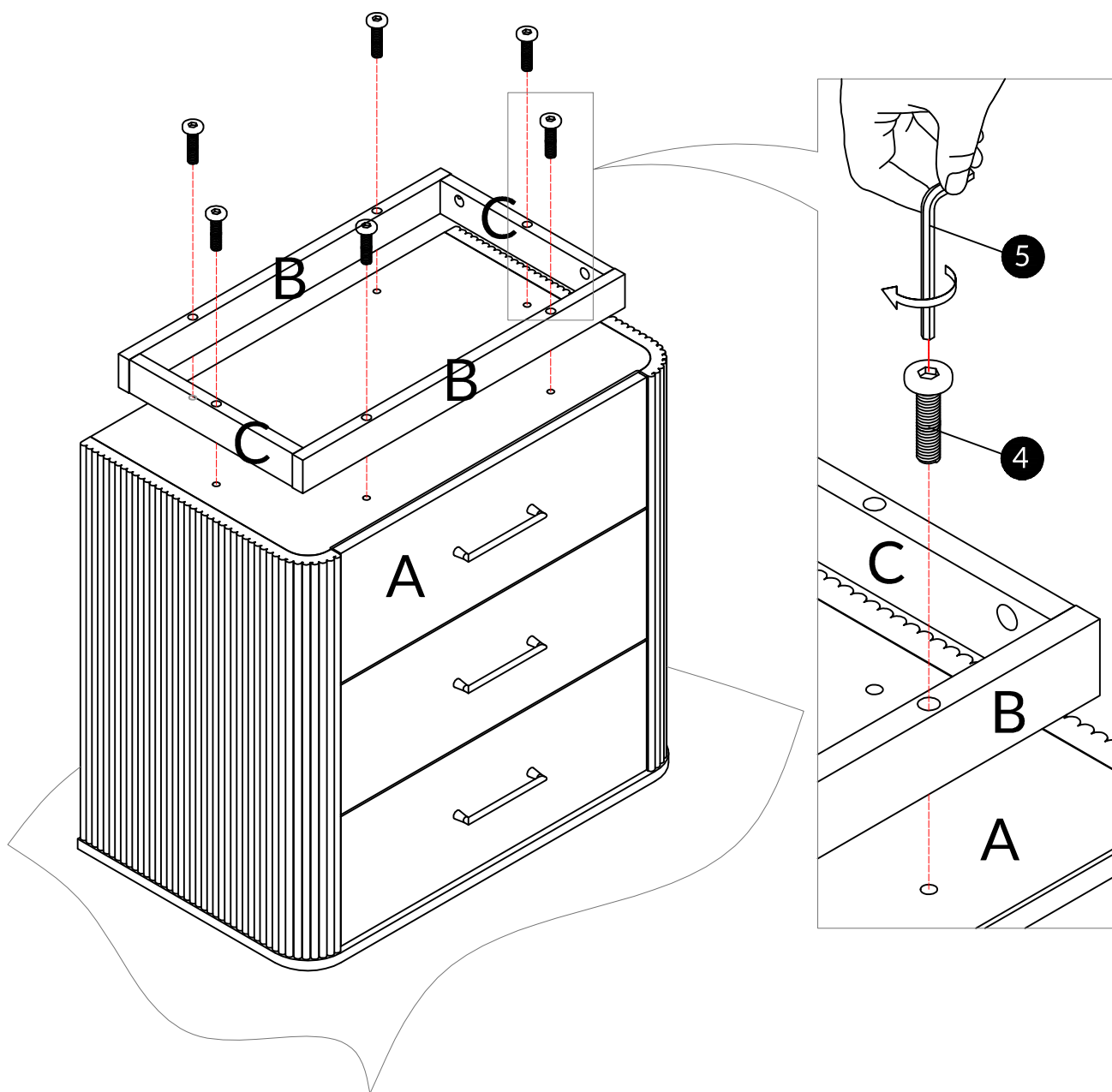
Insert the panels (C) into the side panels (B), make sure all holes are aligned and insert cam bolt ② into the corresponding hole of panel (C), tighten cam bolt ② with screwdriver ⑥, Cover the two screw holes in the (C) side panel with lap tape ⑦.

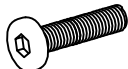
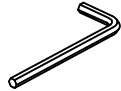


⑦x4	②x4	⑥x1
		
Ø21mm	Ø15x9.5mm	

Step 4

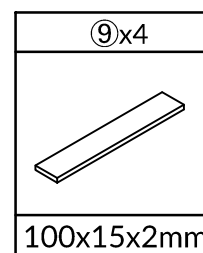
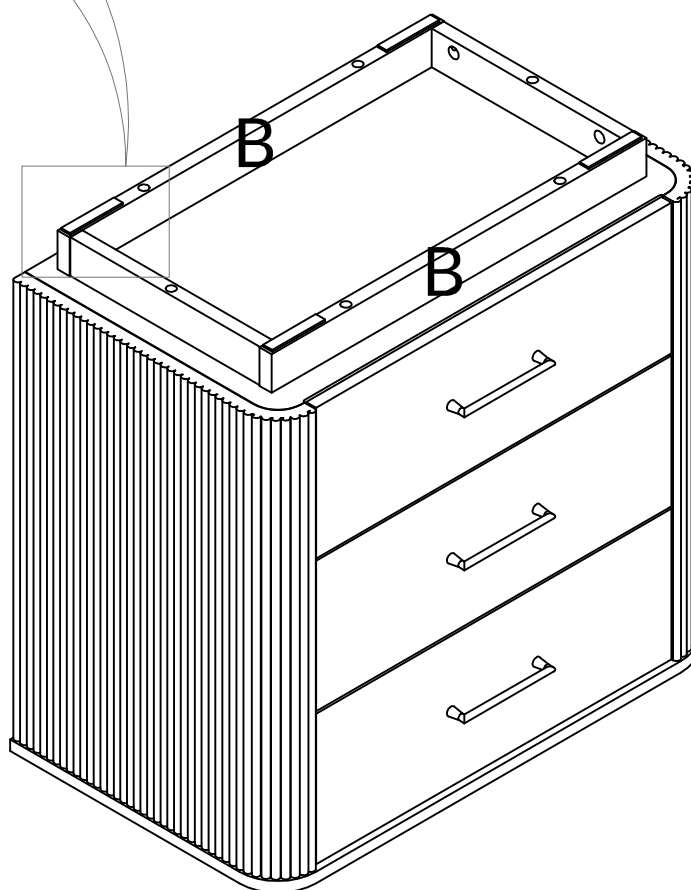
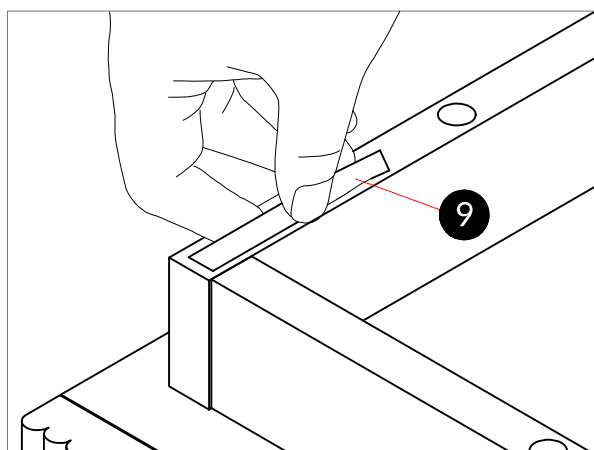
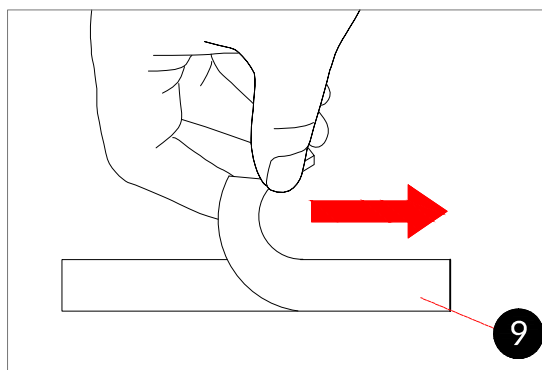
Insert part (B & C) into the corresponding position of panel (A), and then use flat bolt ④ to attach part (B & C) to part (A), make sure all holes aligned and tighten all bolts with screwdriver ⑤.



④x6	⑤x1
	
M6*50mm	M4

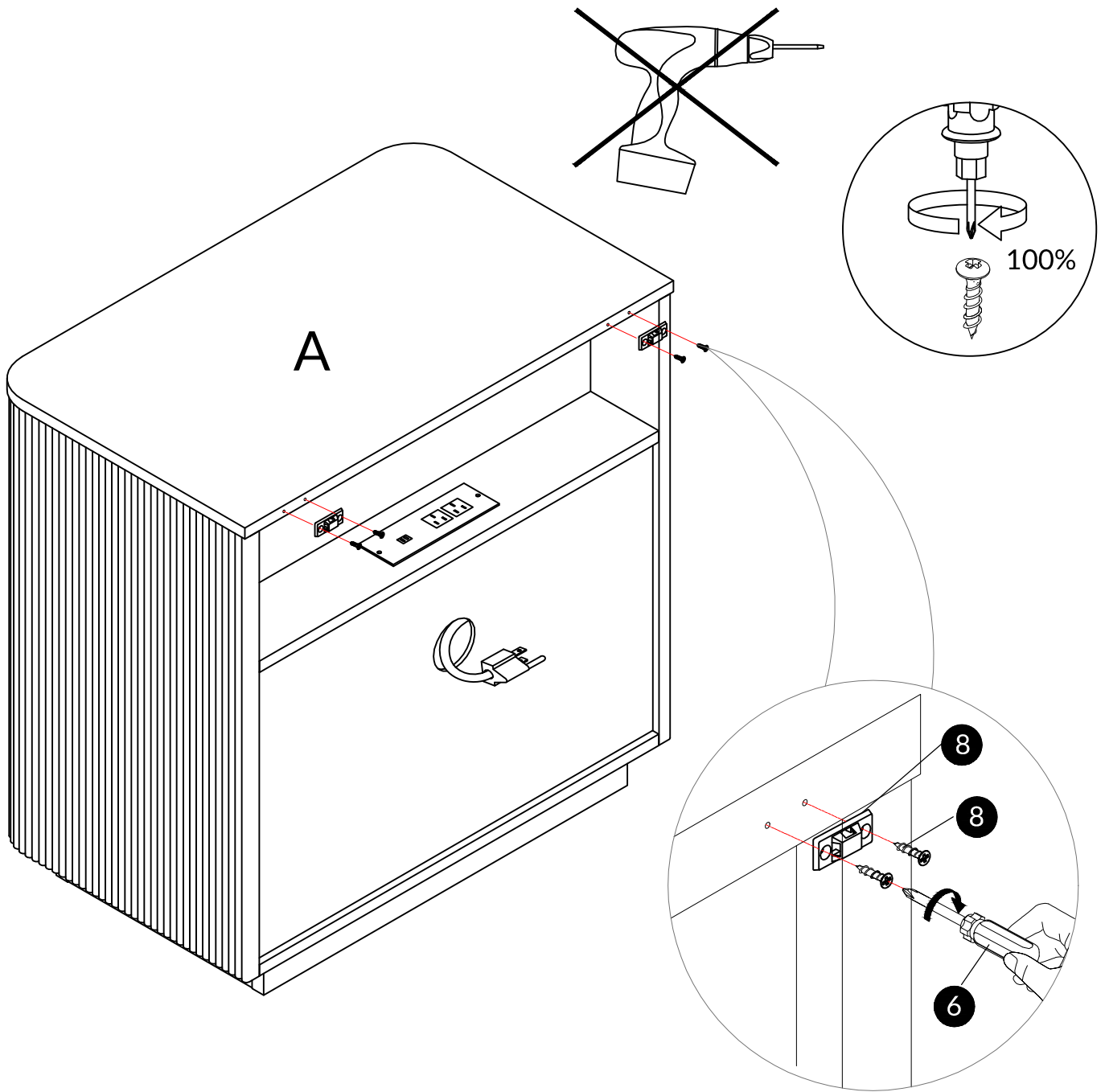
Step 5

Tear open the back of ⑨ and stick it onto B.



Step 6

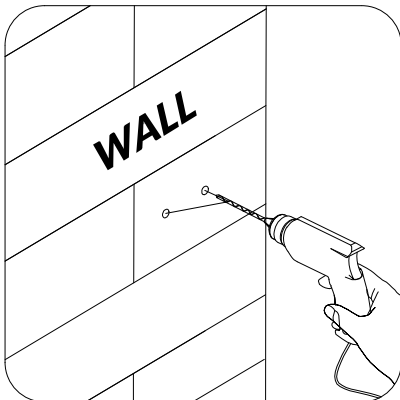
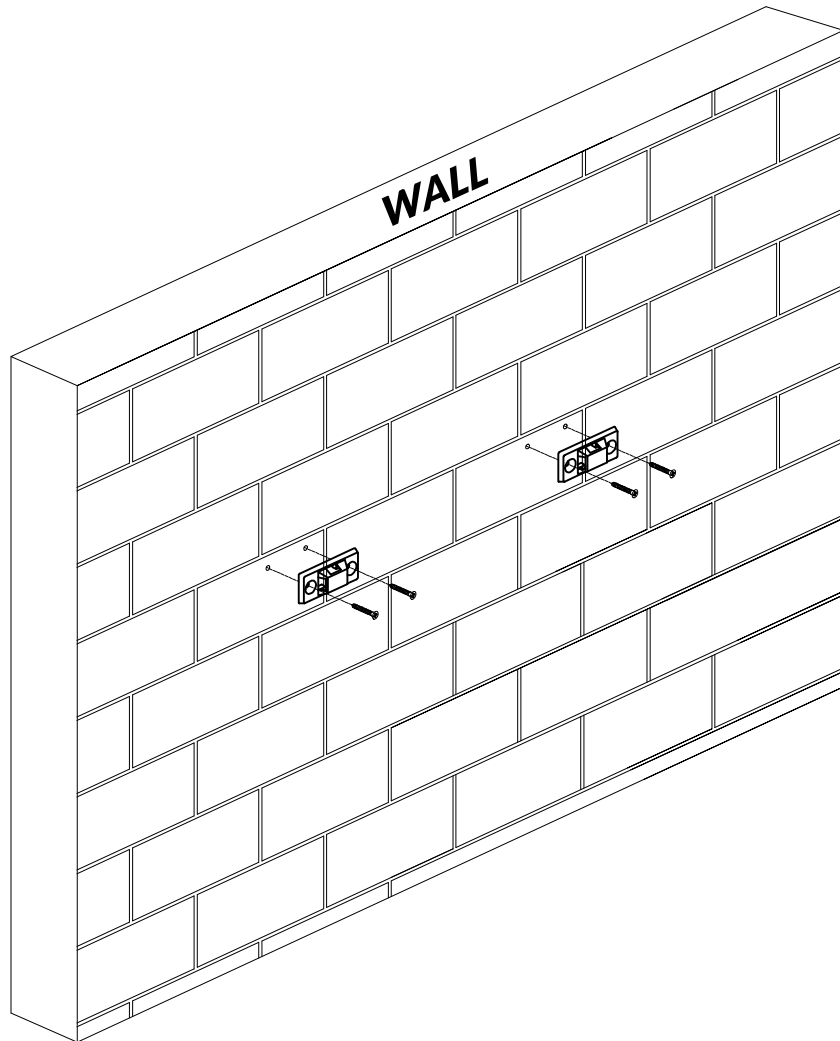
Use screw ⑧-2 to attach part ⑧-1 to back (A), tight screw with screwdriver 11.



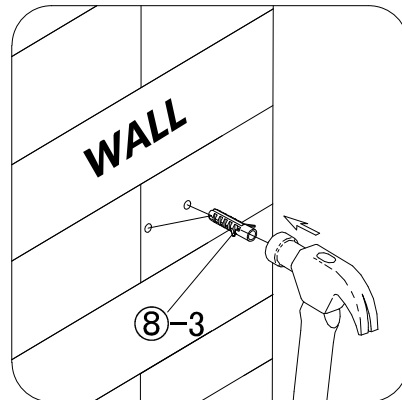
⑧-1x2	⑧-2x4	⑥x1
	Ø3x20mm	

Step 7

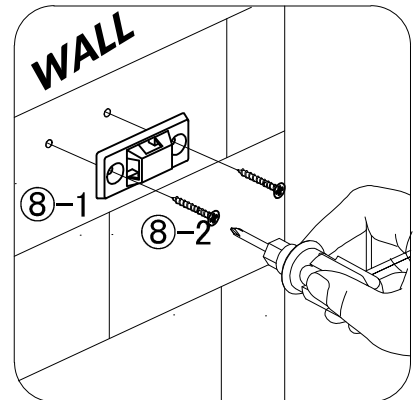
Install Anti-tip device ⑧-1 to the wall in this step.



1. Drill a hole in the wall with an electric drill.



2. Tap the plastic wall anchor into the hole with a hammer.



3. Secure the Anti-tip device ⑧-1 to the wall with screws ⑧-2

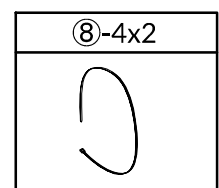
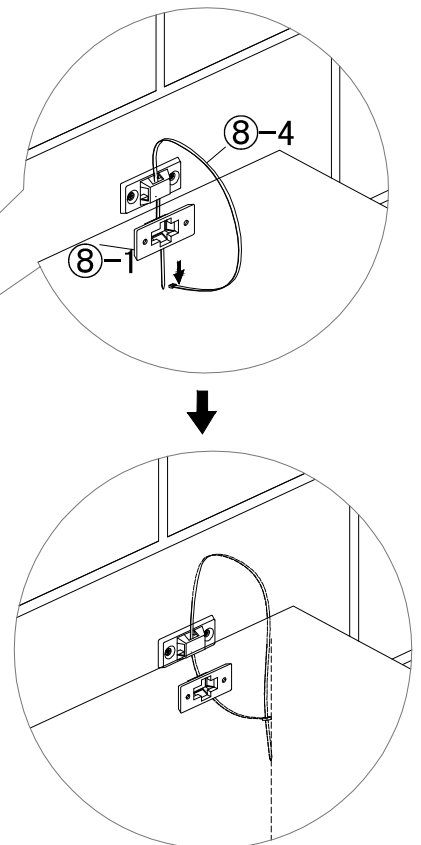
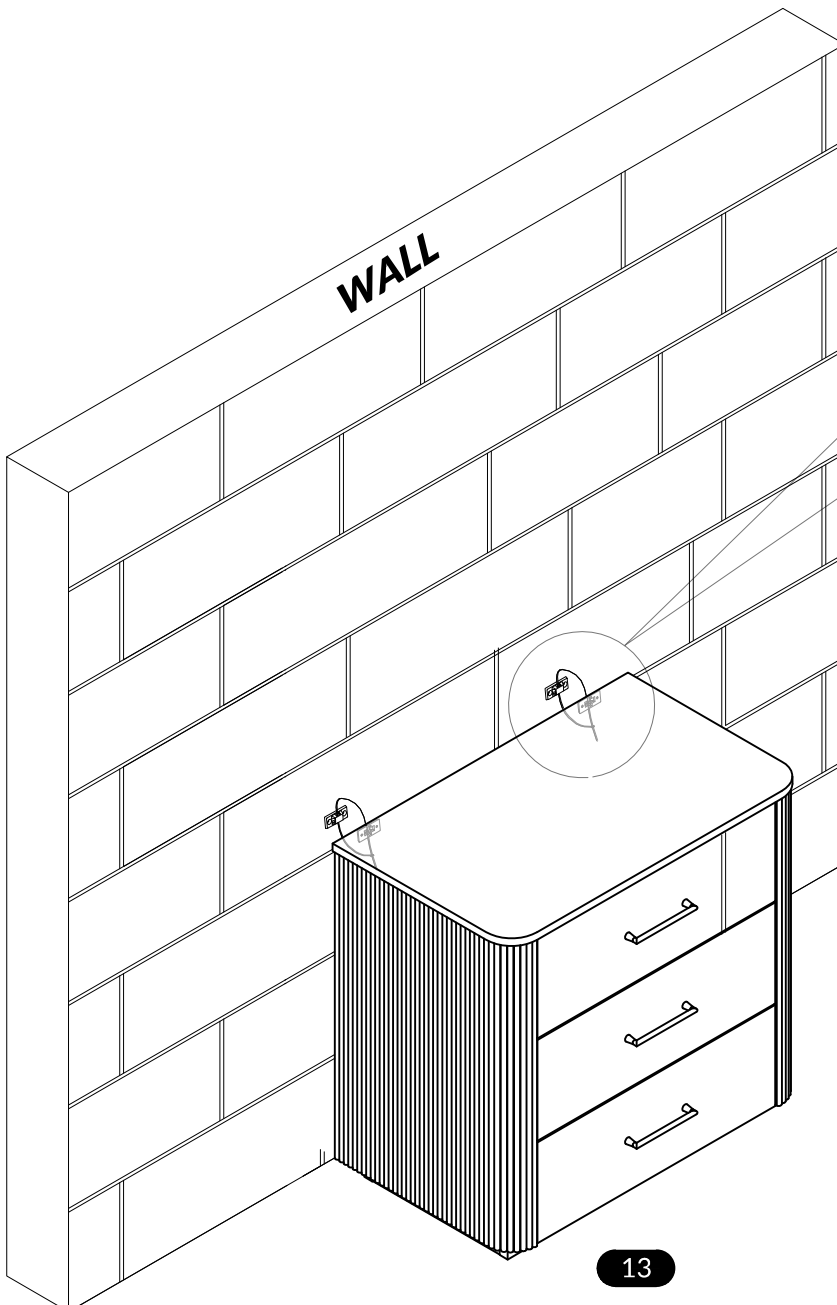
⑧-1x2	⑧-2x4	⑧-3x4	⑥x1
	Ø4x39mm		

Step 8

WARNING

Children have died from furniture tipover.
To reduce the risk of furniture tipover:

- ALWAYS install Anti-tip device provided.
- For use with televisions weighing 35 lb or less. Use with heavier televisions may result in instability causing tip-over resulting in death or serious injury.
- NEVER allow children to stand, climb or hang on drawers, doors, or shelves.
- NEVER open more than one drawer at a time.
- Place heaviest items in the lowest drawers.



WARRANTY

- We strive to offer quality products, and we also try our best to satisfy every customer who orders from us with products or services as needed.
- Replacement parts can be purchased from our company if available.
- For returns, please check the return policy with the retailer or marketplace where you purchased the item.

Are you having difficulty

With assembly? Missing parts?
Please send an email with your order No. to
hello@hulalahome.com

We appreciate your purchase.
Brighten your life with our furniture!