



WARNING!

Please read the instructions carefully before assembly, and assemble the product properly according to the instructions, don't put in use of the product before it is fully assembled. For any damage or defective, kindly contact our online after-sale service staff.

- * the features and specifications of the product are subjects to changes without prior notice
- * To avoid product damage and personal injury, assemble the product properly.
- * To avoid product damage and personal injury, please check the product's load capacity and do not support user's whole body on the chair arms.
- * To avoid personal injury, place the product on the flat ground.
- * Do not stand on the product.
- * To avoid personally injury, don't use the damaged product, and dispose it properly
- * Indoor use only
- * Please keep the instructions in case of further use.

WARNING!

Please keep the product out of reach of the children, it's not a toy!

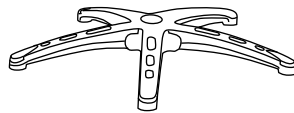
It is advised that the users check the screws and tighten them up every 6 months, for any parts missing or defective, kindly contact us and we will be glad to be helpful.

Parts

(1) Gastors



(2) Base



(3) Gas Life



(4) Mechanism



(5) Seat



(6) Back



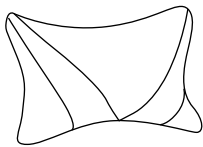
(7) Left&Right Arm



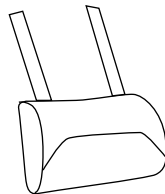
(8) Footrest



(9) Headrest cushion



(10) Lumber cushion



(11) BACK iron



(12) Plastic cover



(A) X4 (M6*20mm)



(B) X2 (M8*20mm)



(C) X4 (M8*30mm)



(D) X4 (M6*25mm)



(E) X4 Screw cover



(F) X8 Metal gasket



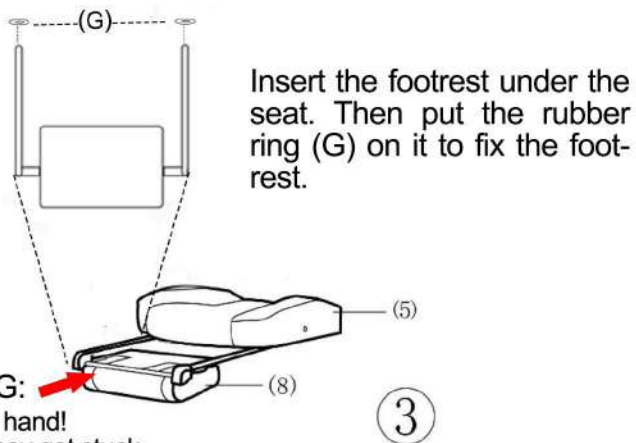
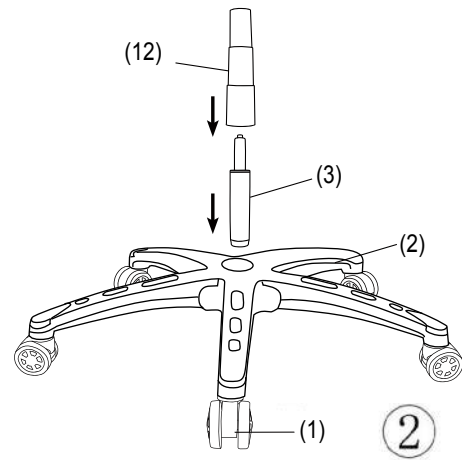
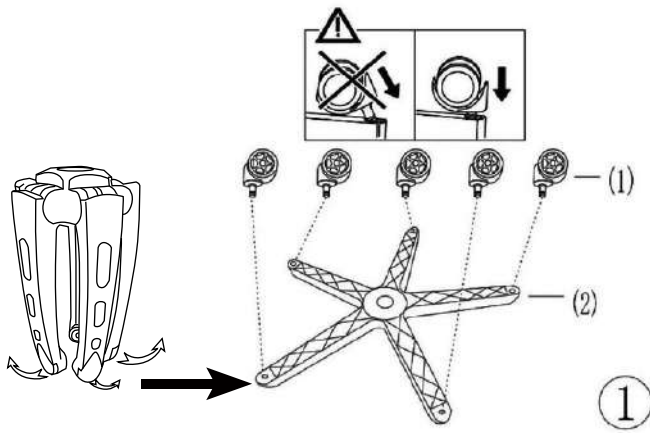
(G) X2 Rubber ring



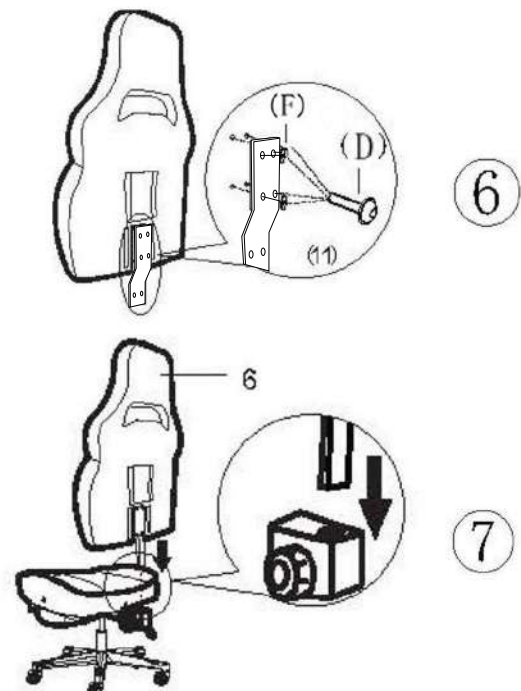
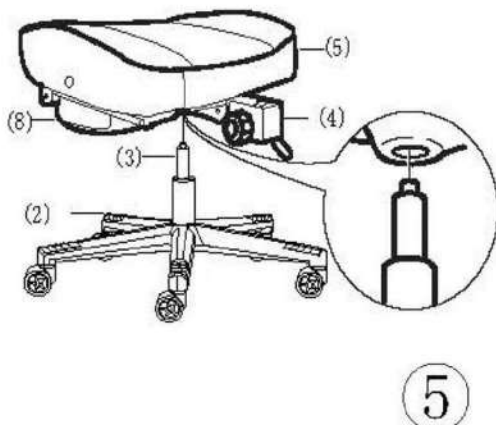
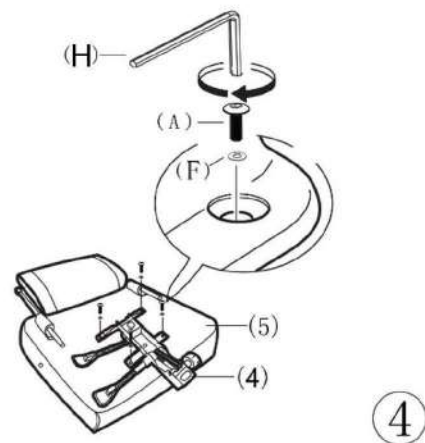
(H) X1(M6*75*30mm)



Installation step

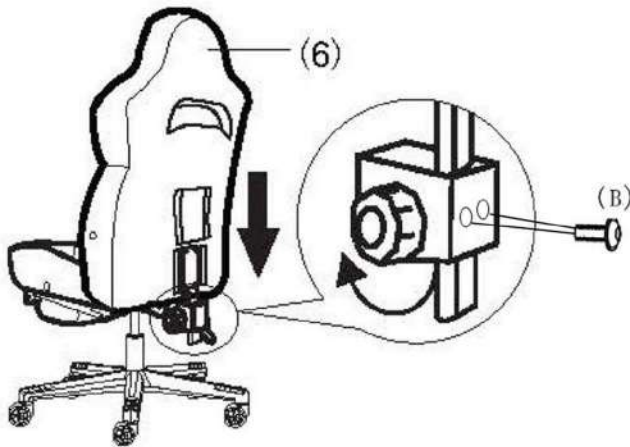


WARNING:
Watch your hand!
Your hand may get stuck
while you insert the foot-rest.



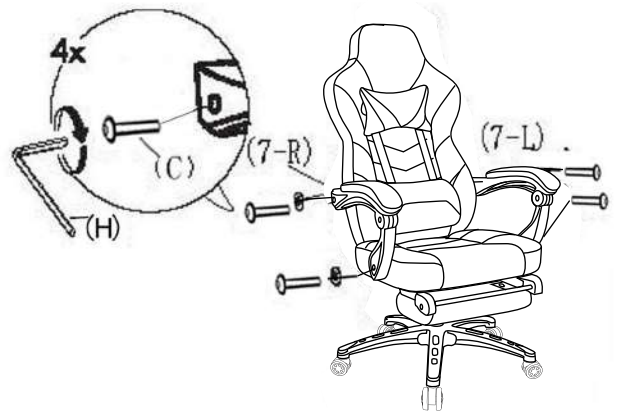
Installation step

After insert the back into mechanism, screwing the mechanism tightly.



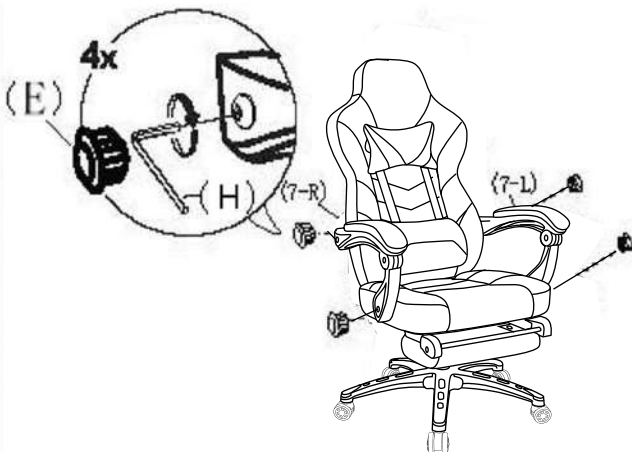
8

For easier assemble, please put each screw in right position first.

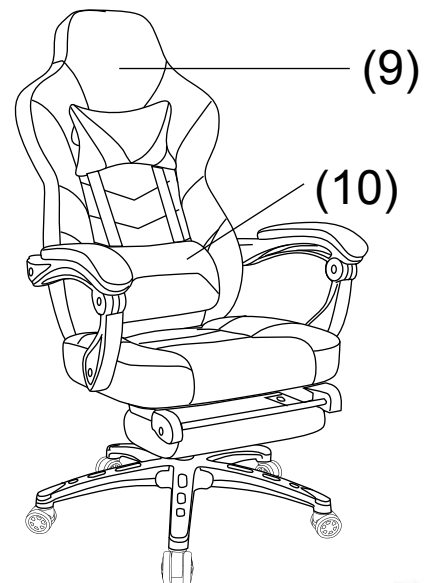


9

Once all screw in right position, you can adjust the position of armrest and back. Then tighten all screws.

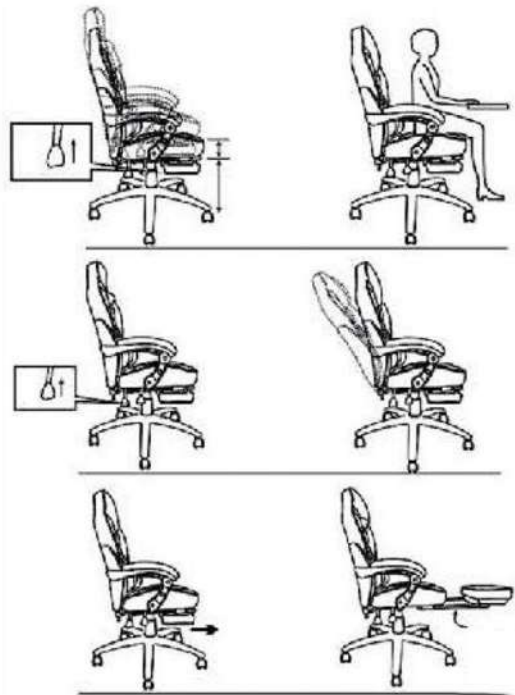


10



11

Function



Lift up: While taking your weight off chair, lift the lever up.

Lift down: While seated, lift lever up

Use another lever control recline function on/off, you can also use the lever to lock the position of the back. The back and seat angle together can be fixed in numbers of positions.

Instruction during use

1. Please move the product gently to avoid collision;
2. Please keep out of direct sunlight;
3. Please ensure the centre of gravity is on the hydraulic until during use;
4. Please watch your fingers when you adjusting the backrest angle;
5. Please toggle the handle under your seat when adjusting the chair height. do not to press it down roughly;
6. Please lift the lever gently to raise or lower the height of the chair. Do not pull it roughly;
7. Do not place any heavy objects on the chair or armrest;
8. Plastic parts will split if chair is exposed to direct sunlight;
9. Please do not use abrasive cleaners on the chairs;