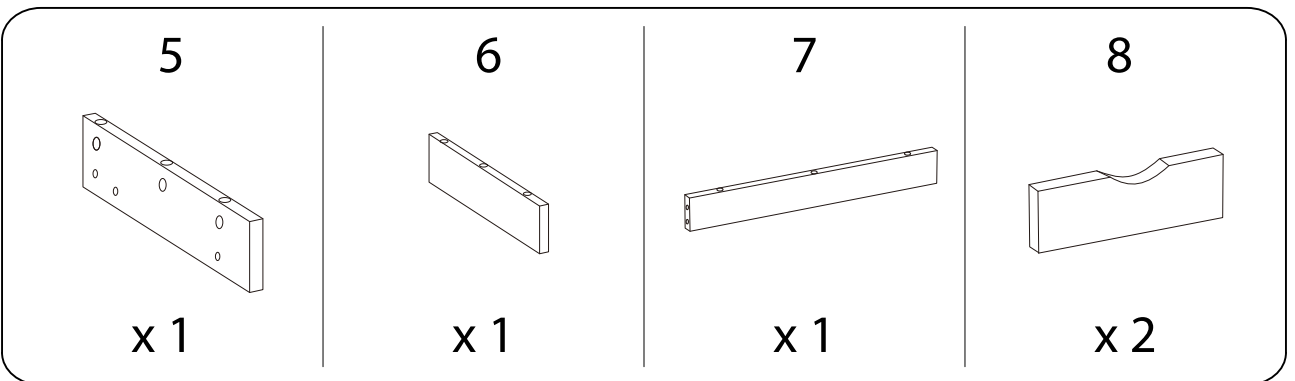
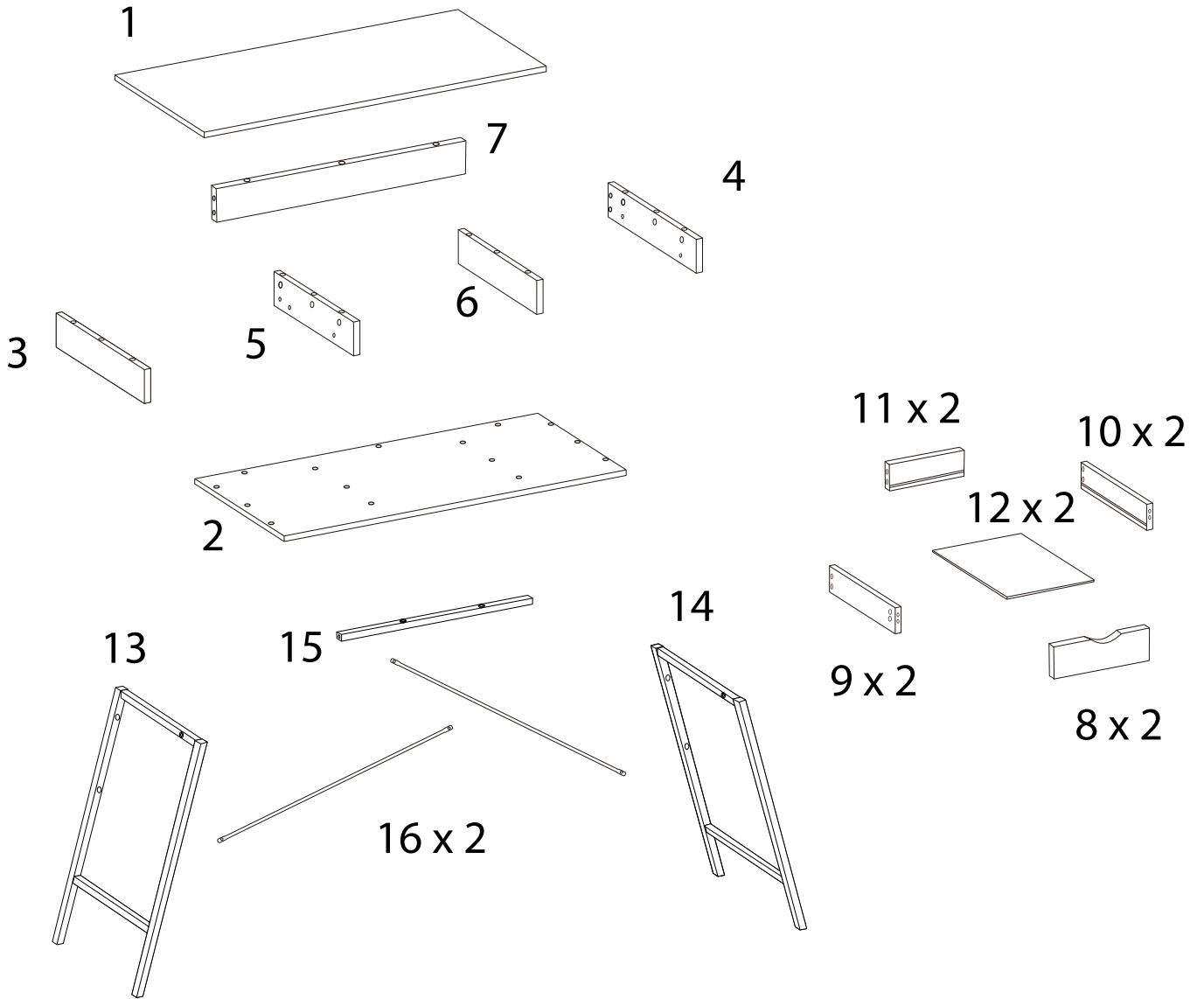
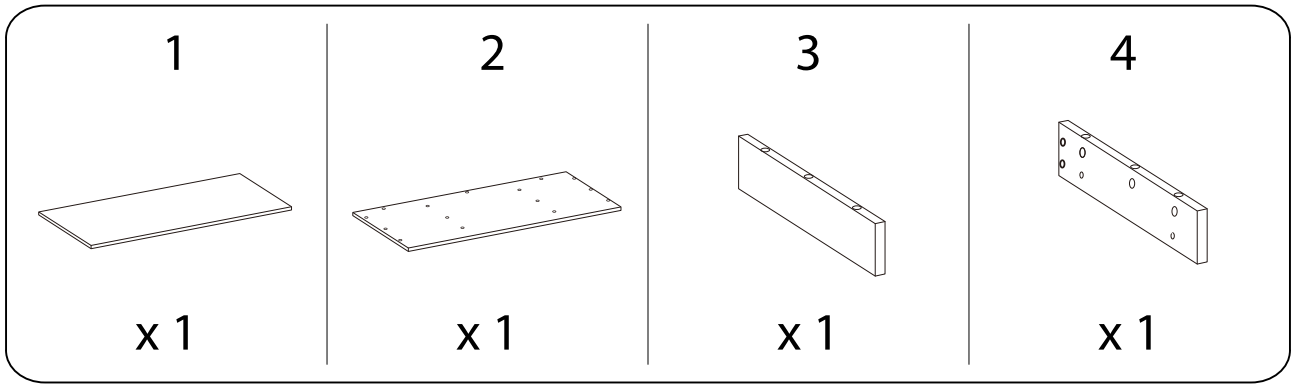
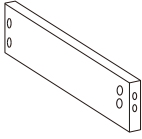
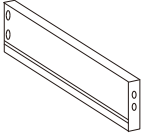
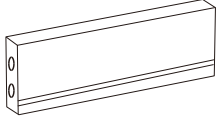
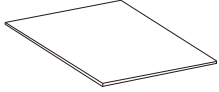
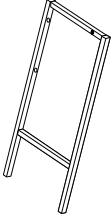
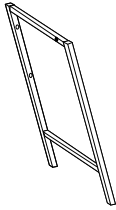

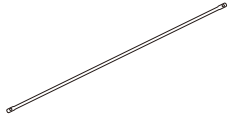
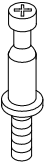
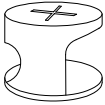
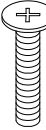
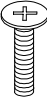
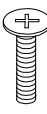
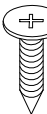
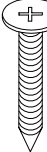


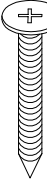
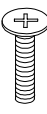

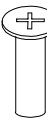
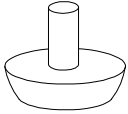


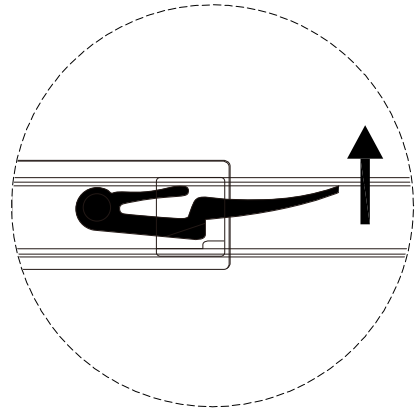
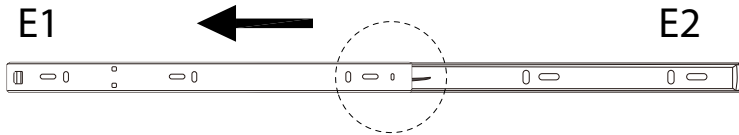
Assembly instructions for step 1/14:

- Tools:** A screwdriver is required. A power drill is not required (indicated by a diagonal line through the drill icon).
- Warning:** A warning triangle with an exclamation mark is shown.
- Time:** Estimated assembly time is 60 minutes, represented by a clock icon.
- Personnel:** One person is required for assembly, represented by a person icon and the number 1.
- Diagram:** A diagram shows a rectangular block being placed on a textured surface. A second diagram shows the block being secured with a screw, with a diagonal line through the screw icon indicating it is not to be done.

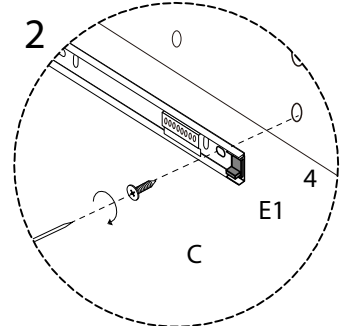
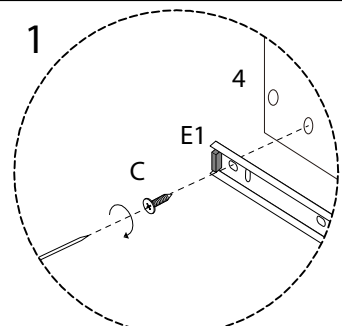
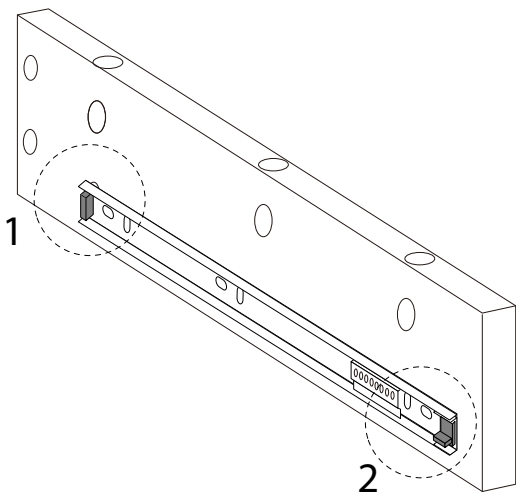
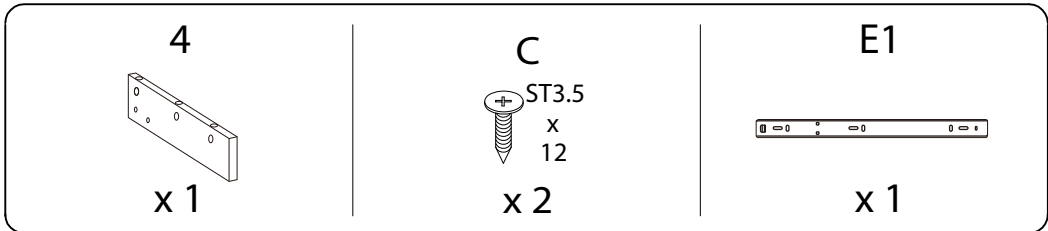


<p>9</p>  <p>x 2</p>	<p>10</p>  <p>x 2</p>	<p>11</p>  <p>x 2</p>	<p>12</p>  <p>x 2</p>	
<p>13</p>  <p>x 1</p>	<p>14</p>  <p>x 1</p>	<p>15</p>  <p>x 1</p>	<p>16</p>  <p>x 2</p>	
<p>A1</p>  <p>x 27</p>	<p>A2</p>  <p>x 27</p>	<p>B1</p>  <p>M6 x 30</p> <p>x 2</p>	<p>B2</p>  <p>M6 x 25</p> <p>x 4</p>	
<p>B3</p>  <p>M6 x 20</p> <p>x 4</p>	<p>C</p>  <p>ST3.5 x 12</p> <p>x 16</p>	<p>D</p>  <p>ST3.5 x 25</p> <p>x 2</p>	<p>E1</p>  <p>x 4</p>	<p>E2</p>  <p>x 4</p>
<p>F</p>  <p>ST5 x 50</p> <p>x 23</p>	<p>G</p>  <p>M4 x 25</p> <p>x 1</p>	<p>H</p>  <p>M4</p> <p>x 1</p>	<p>I</p>  <p>M6</p> <p>x 4</p>	<p>J</p>  <p>x 4</p>

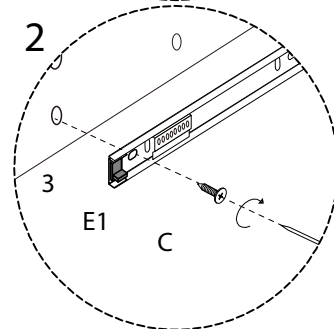
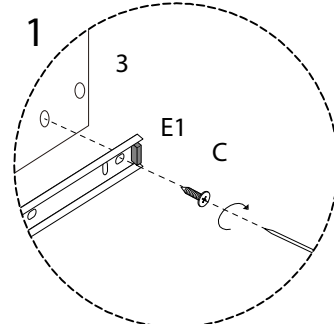
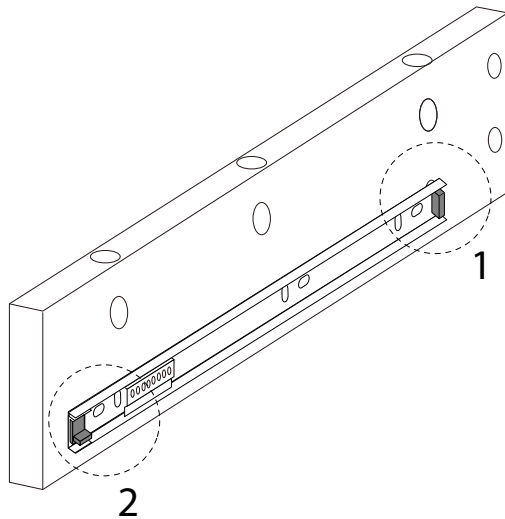
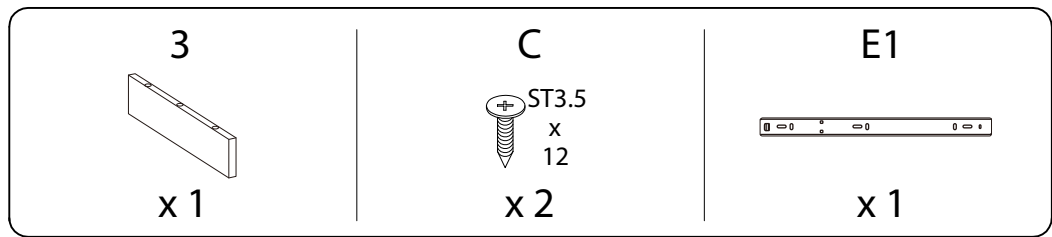
!



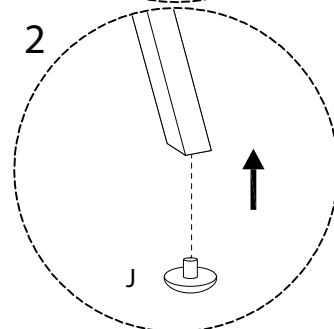
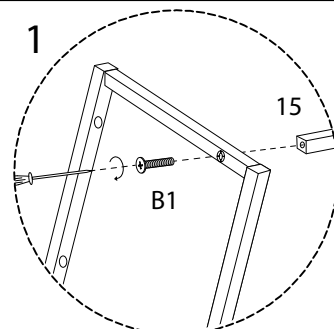
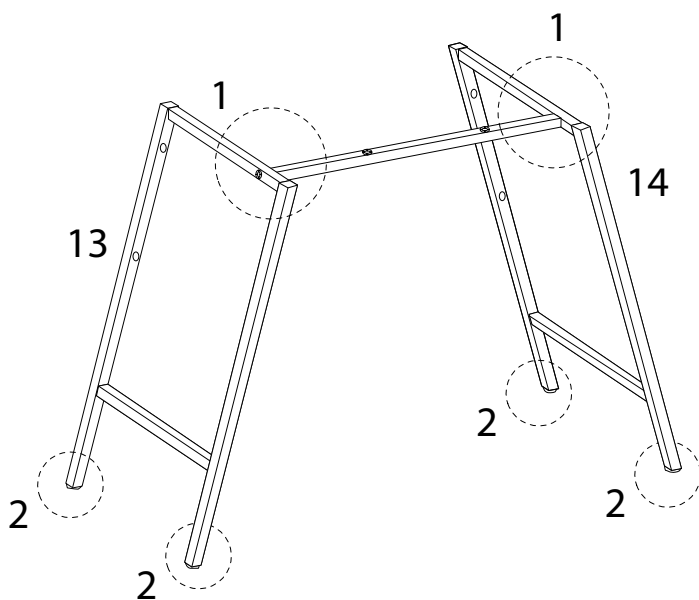
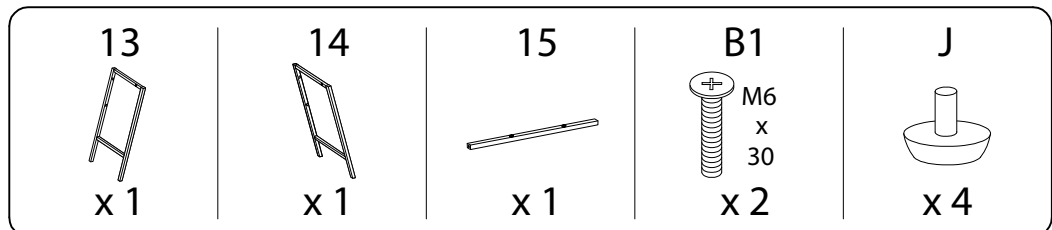
1





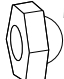


2

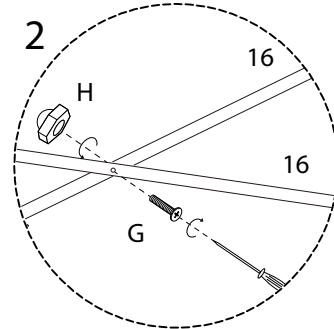
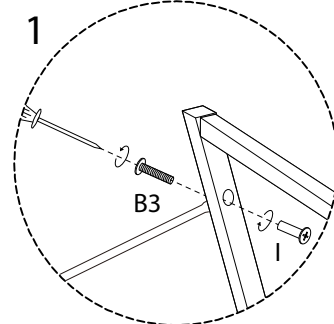
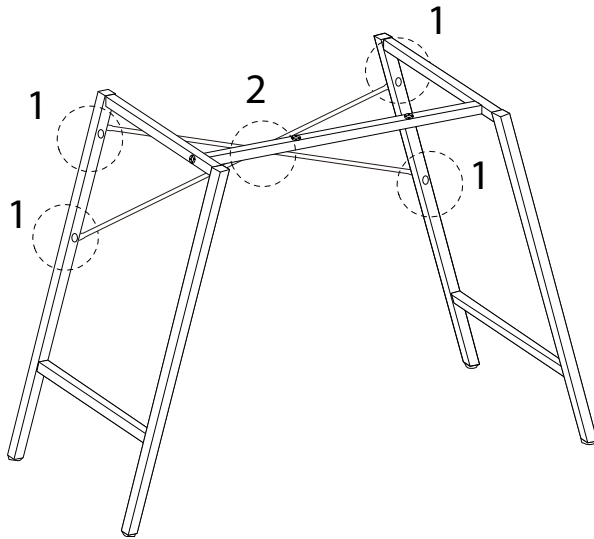


3

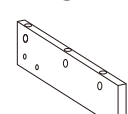




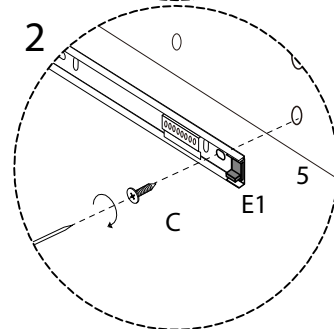
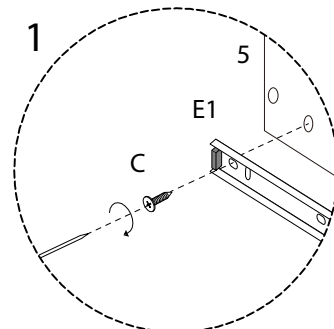
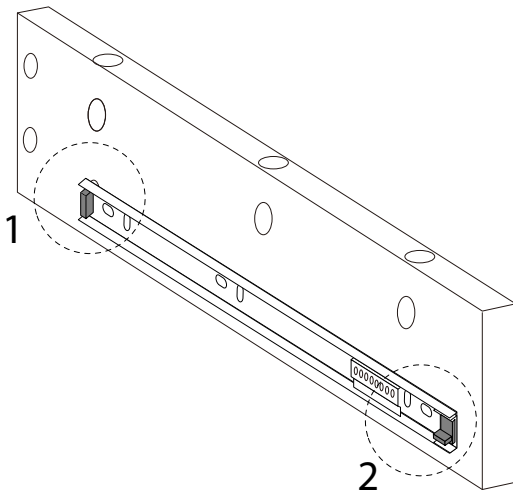
4

16  x 2	B3  M6 x 20 x 4	H  M4 x 1	I  M6 x 4	G  M4 x 25 x 1
--	---	---	---	--

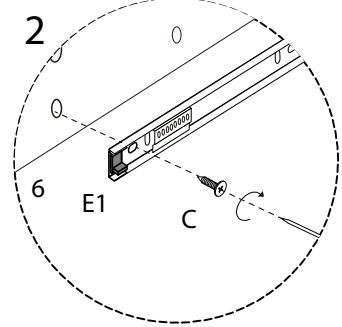
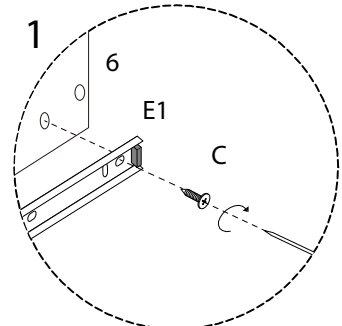
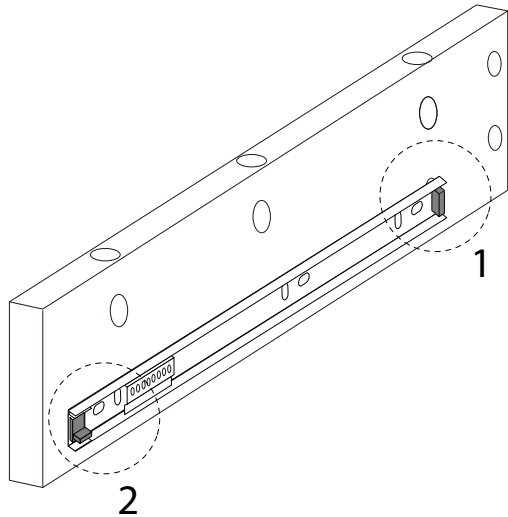
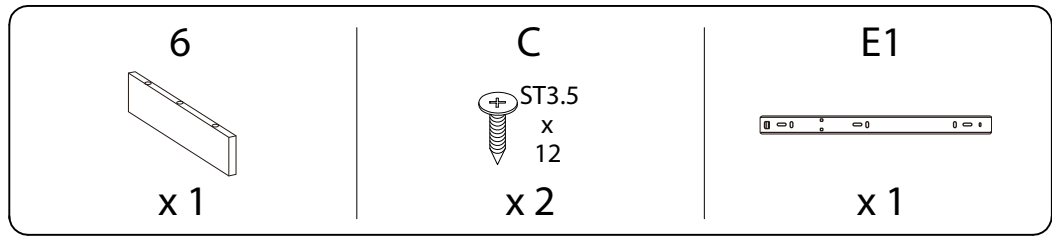


5

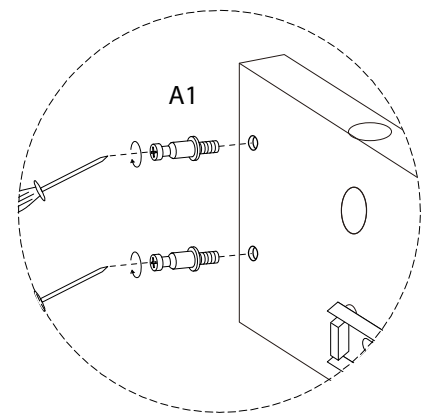
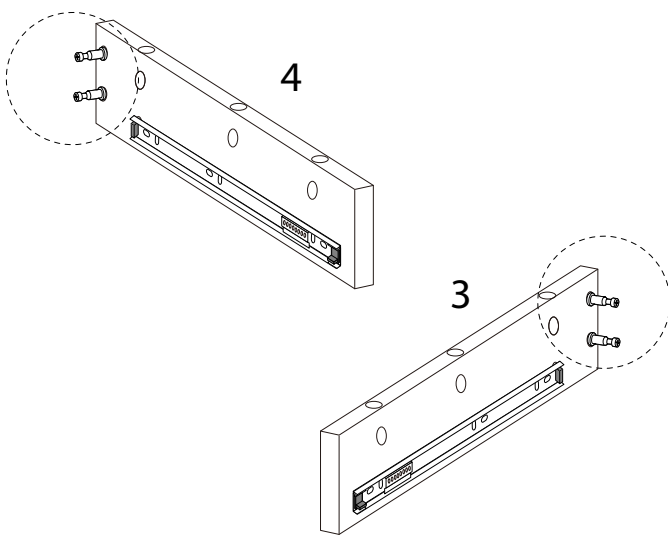
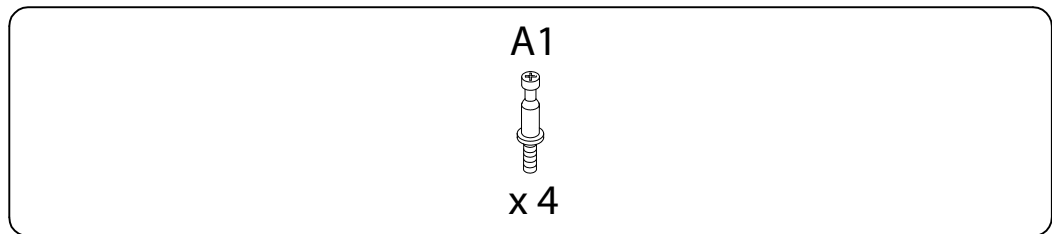
5  x 1	C  ST3.5 x 12 x 2	E1  x 1
---	---	--



6

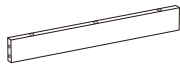


7



8

7

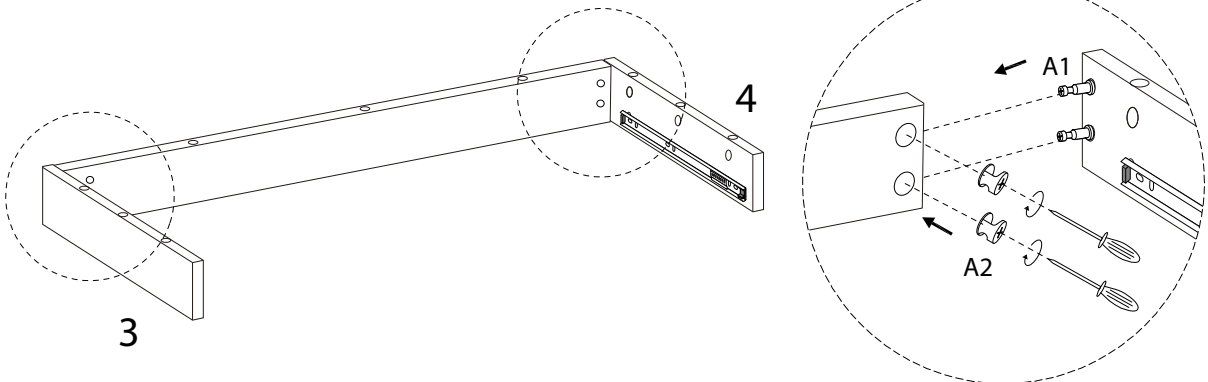


x 1

A2

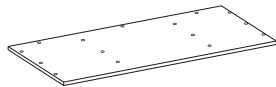


x 4



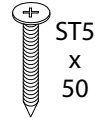
9

2

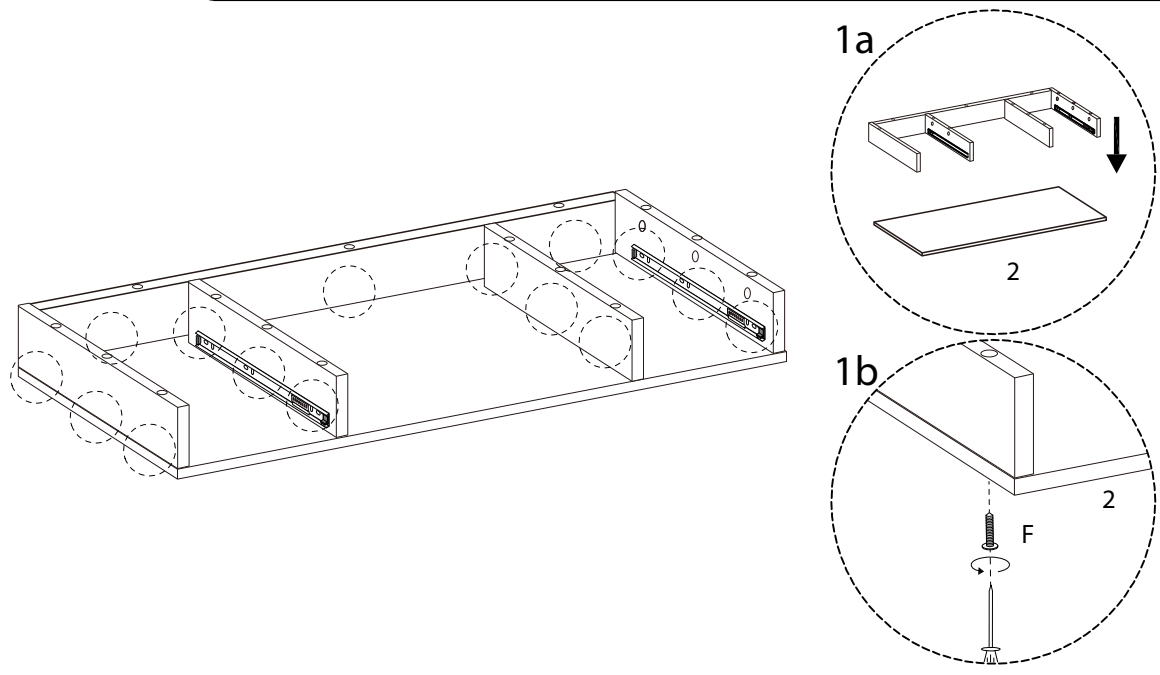


x 1

F

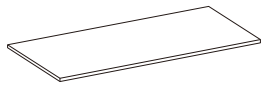


x 15



10

1

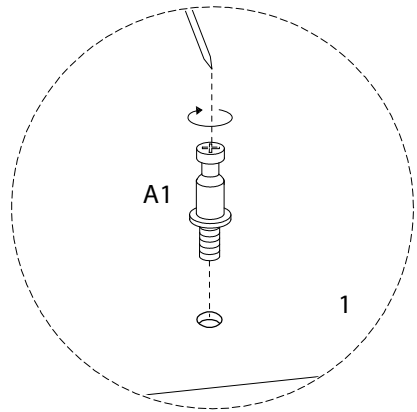
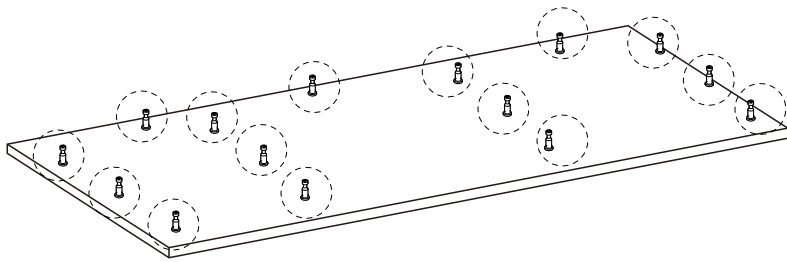


x 1

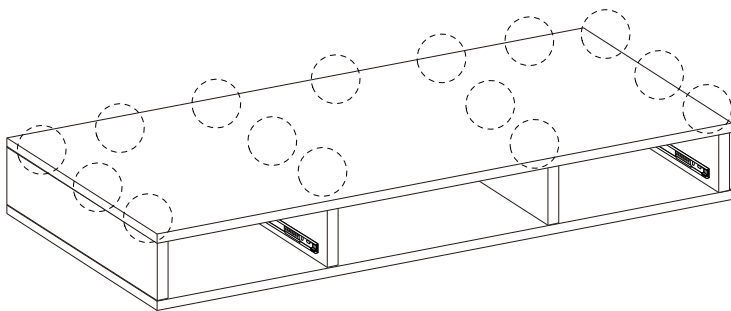
A1



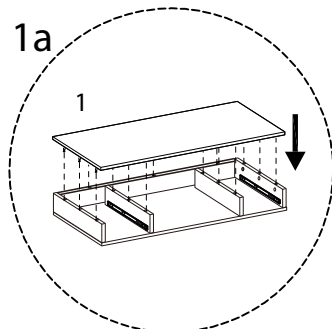
x 15



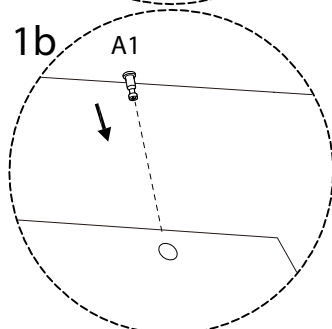
11



1a



1b

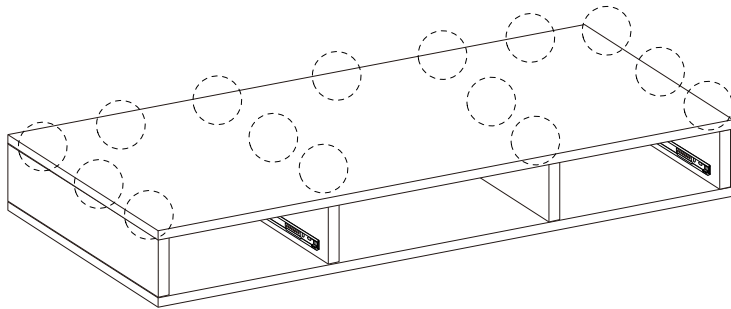


12

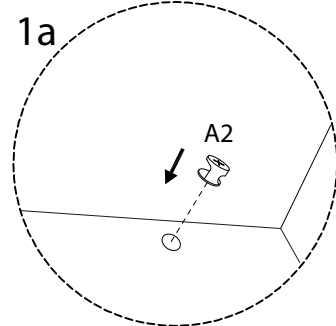
A2



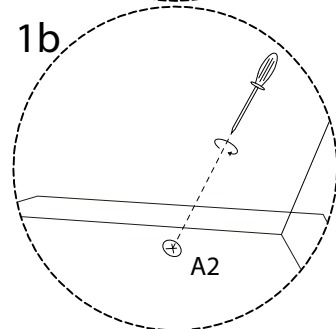
x 15



1a



1b



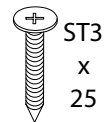
13

B2

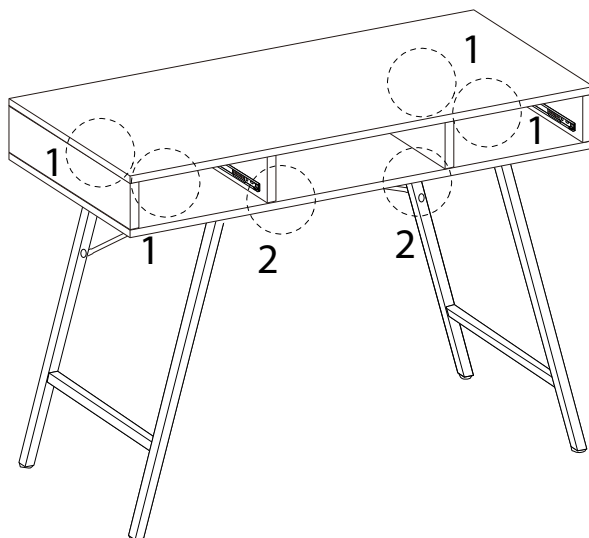


x 4

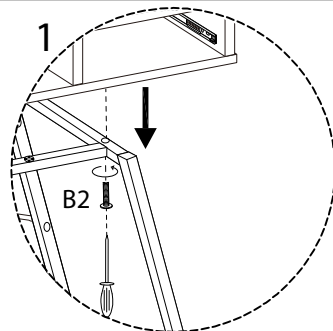
D



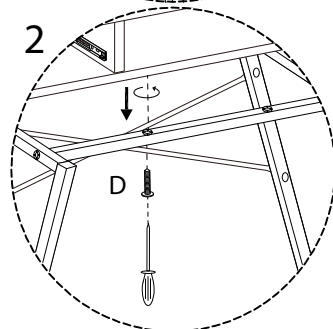
x 2



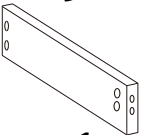

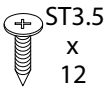
1

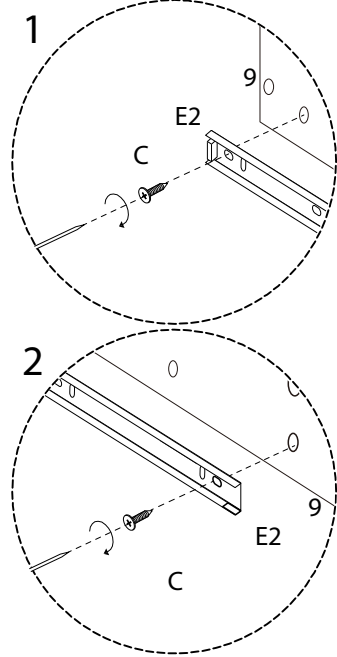
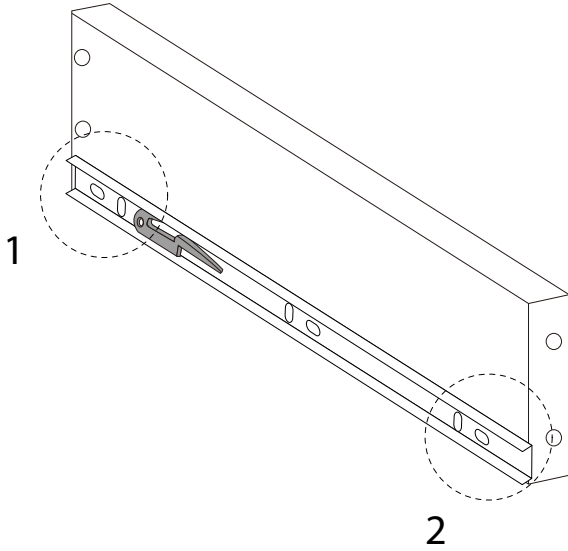


2

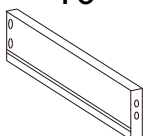

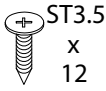


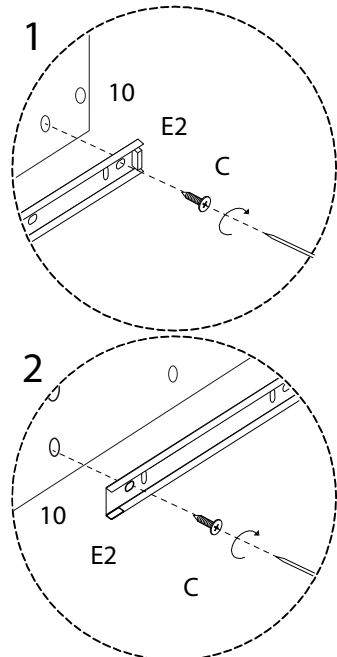
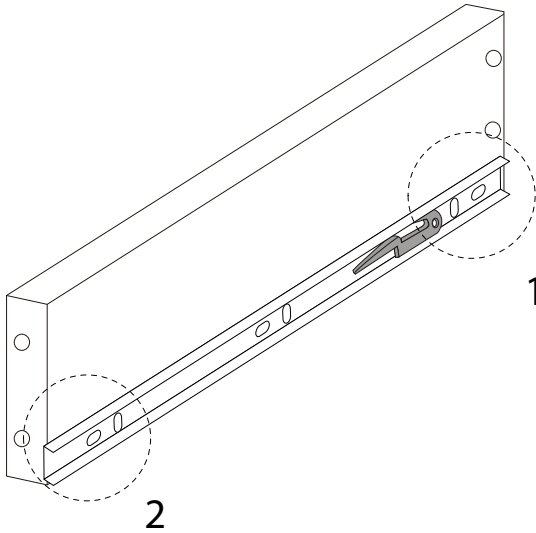
14 x 2

<p>9</p>  <p>x 1</p>	<p>E2</p>  <p>x 1</p>	<p>C</p>  <p>x 2</p>
---	--	---



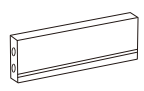
15 x 2

<p>10</p>  <p>x 1</p>	<p>E2</p>  <p>x 1</p>	<p>C</p>  <p>x 2</p>
--	--	---



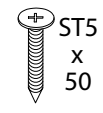
16 x 2

11

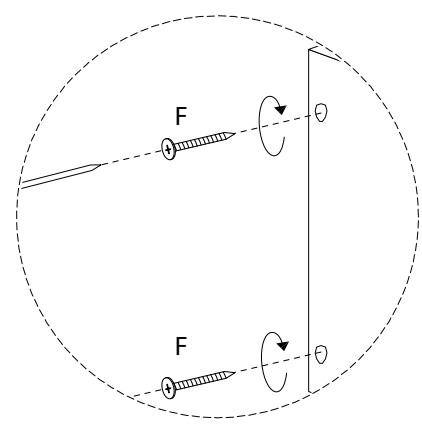
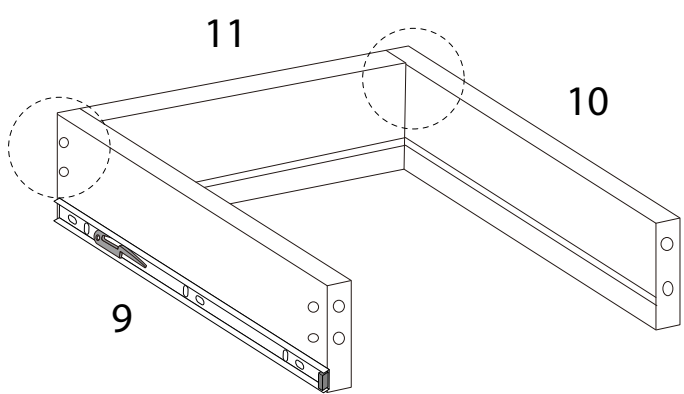


x 1

F

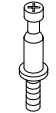


x 4



17 x 2

A1

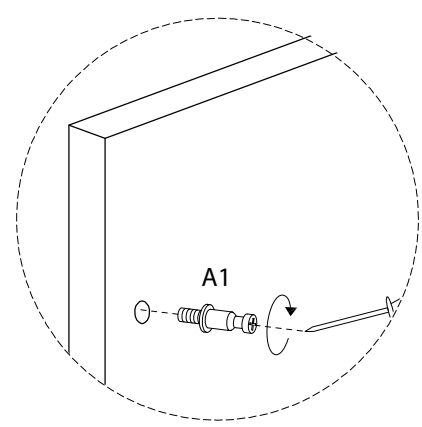
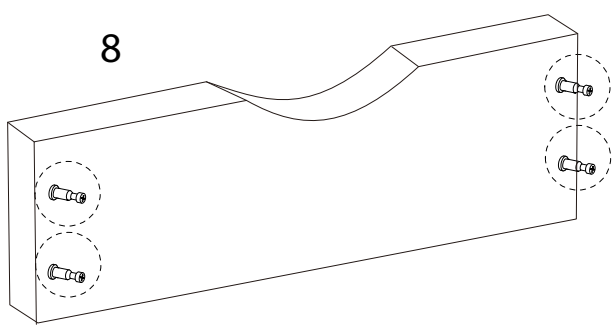


x 4

8

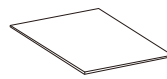


x 1

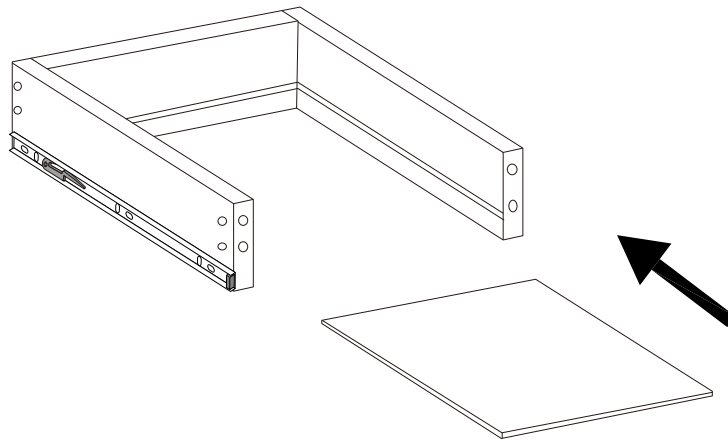


18 x 2

12



x 1

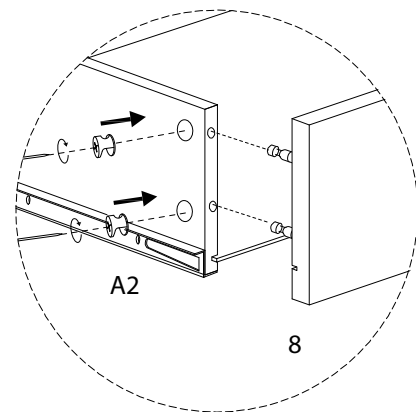
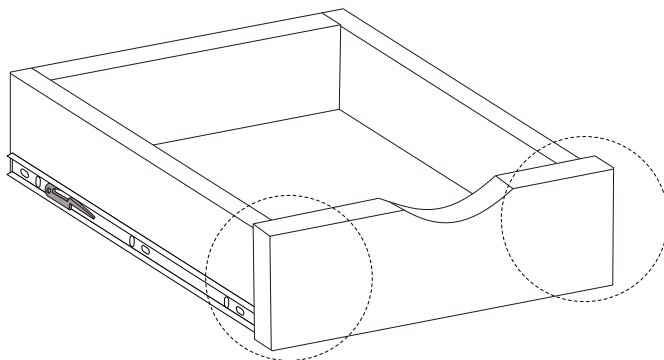


19 x 2

A2



x 4



20

