

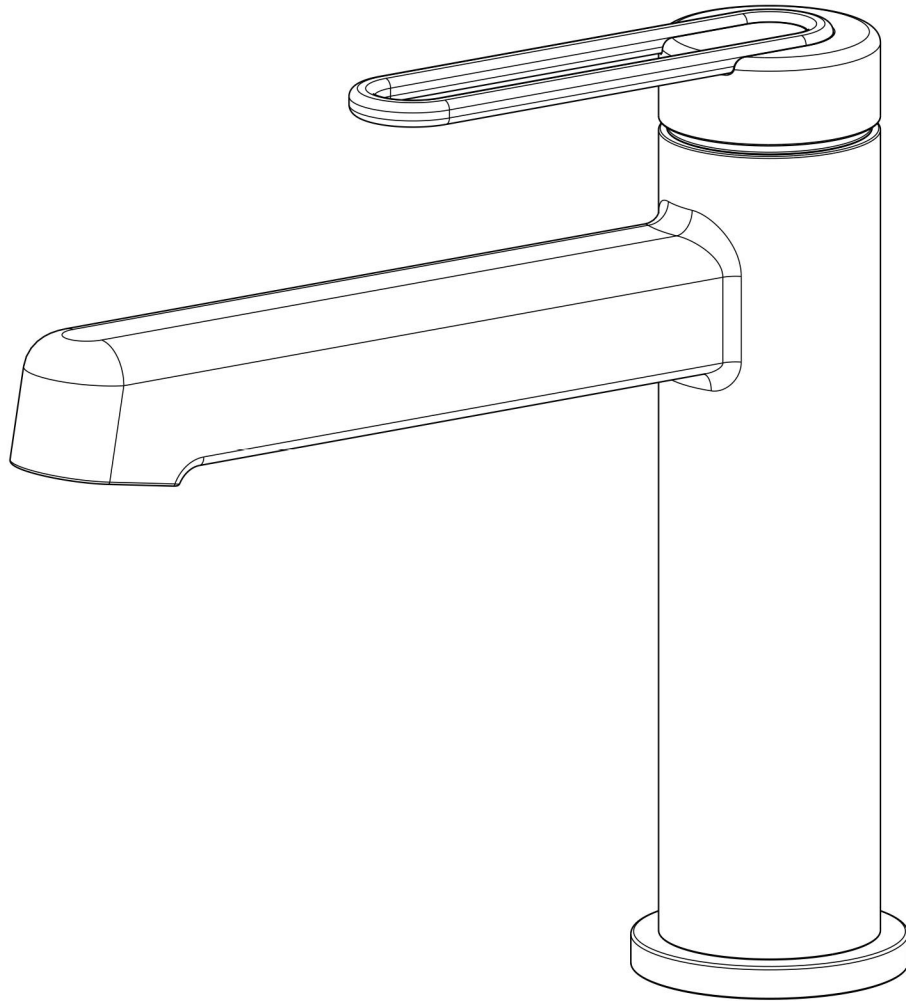
# User's Manual






**Please Do Not Return the Product to the Store.  
Contact us with any questions.**

# INSTALLATION INSTRUCTIONS


## Installation Manual



**IAPMO RESEARCH AND TESTING, INC.**  
5001 East Philadelphia Street, Ontario, California 91761-2816 • (909) 472-4100 Fax (909) 472-4244 • www.iapmo.org

**CERTIFICATE OF LISTING**

 IAPMO Research and Testing, Inc. is a product certification body which tests and reports compliance based upon the supplier's test or from the market or a combination of both to verify compliance with the requirements of applicable codes and standards. This activity is coupled with periodic surveillance of the supplier's testing and operations as well as the assessment of the supplier's Quality Assurance System. This listing is subject to the conditions set forth in the characteristics below and is not to be construed as any recommendation, assurance or guarantee by IAPMO Research and Testing, Inc. of the product except as authorized by written testing procedures.

Effective Date: August 2013      Void After: August 2014


Product: Plumbing Fixture Fittings      File No. 6737

Issued To: **Kaiping Heart Cartridge Co., Ltd.**  
No. 28 Heilman Dong Road,  
ShaoLin Town,  
Kaiping City, GUANGDONG  
China


Identification: Plumbing supply fittings complying with this Standard shall be marked with the manufacturer's recognized name, trademark, or other mark or, in the case of private labeling, the name, trademark, or other mark of the customer for whom the fitting was manufactured. The marking shall be accomplished by use of a permanent mark or by placing a permanent label on the product. Markings on plumbing supply fittings shall be visible after installation.

Single-handle, single-control, and automatic compensating mixing bath and shower valves shall have identifiable temperature control settings in which the settings are indicated by words ("cold", "warm", "hot", etc.), by numbers, or graphically.

Packages shall be marked with the manufacturer's name, trademark, or other mark as well as the model number or, in the case of private labeling, the name, trademark, or mark of the customer for whom the fitting was manufactured as well as the model number.




 

Chairman, Product Certification Committee      CEO, The IAPMO Group




This listing period is based upon the last date of the results indicated on the Effective Date and Year After Date shown above. Any change in material, manufacturing process, marking or design without testing first obtained the approval of the Product Certification Committee, or any extension of manufacturing with applicable code and standards of the Product Certification Committee, shall be deemed sufficient cause for revocation of this listing. Production of or reference to this listing for advertising purposes may be made only by specific written permission of IAPMO Research and Testing, Inc. Any alteration of this certificate could be grounds for revocation of this listing. This document shall be reproduced in its entirety.

**IAPMO RESEARCH AND TESTING, INC.**  
5001 East Philadelphia Street, Ontario, California 91761-2816 • (909) 472-4100 Fax (909) 472-4244 • www.iapmo.org

**CERTIFICATE OF LISTING**

 IAPMO Research and Testing, Inc. is a product certification body which tests and reports compliance based upon the supplier's test or from the market or a combination of both to verify compliance with the requirements of applicable codes and standards. This activity is coupled with periodic surveillance of the supplier's testing and operations as well as the assessment of the supplier's Quality Assurance System. This listing is subject to the conditions set forth in the characteristics below and is not to be construed as any recommendation, assurance or guarantee by IAPMO Research and Testing, Inc. of the product except as authorized by written testing procedures.

The most updated information on this Certificate of Listing is available online at [pld.iapmo.org](http://pld.iapmo.org)

Effective Date: October 2016      -Rev. 11/29/2016-      Void After: October 2017

Product: Flexible Water Connectors      File No. 4955



Issued To: **Tubman Jianglin Plumbing Hose & Parts Co., Ltd.**  
Package Industry Zone  
Tubman County  
Changliang 317400,  
China

Identification: Manufacturer's name or trademark and UPC® certification mark. Special note on label: "For use with water in exposed locations only."


Characteristics: Flexible water connectors manufactured in various sizes, lengths and metal end fittings for hot or cold water applications that consist of an inner tube, which may or may not have an outer braided cover. Connectors are to be installed for use in accessible locations only and in accordance with the manufacturer's instruction, and the latest edition of the Uniform Plumbing Code.

Products listed on this certificate have been tested by an IAPMO R&T recognized laboratory. This recognition has been granted based upon the laboratory's compliance to the applicable requirements of ISO/IEC 17025.

Products are in compliance with the following code(s):  
Uniform Plumbing Code (UPC®)

Chairman, Product Certification Committee      CEO, The IAPMO Group



This listing period is based upon the last date of the results indicated on the Effective Date and Year After Date shown above. Any change in material, manufacturing process, marking or design without testing first obtained the approval of the Product Certification Committee, or any extension of manufacturing with applicable code and standards of the Product Certification Committee, shall be deemed sufficient cause for revocation of this listing. Production of or reference to this listing for advertising purposes may be made only by specific written permission of IAPMO Research and Testing, Inc. Any alteration of this certificate could be grounds for revocation of this listing. This document shall be reproduced in its entirety.

**IAPMO RESEARCH AND TESTING, INC.**  
5001 East Philadelphia Street, Ontario, California 91761-2816 • (909) 472-4100 • 909-472-4244 • www.iapmo.org

**CERTIFICATE OF LISTING**

 IAPMO Research and Testing, Inc. is a product certification body which tests and reports compliance based upon the supplier's test or from the market or a combination of both to verify compliance with the requirements of applicable codes and standards. This activity is coupled with periodic surveillance of the supplier's testing and operations as well as the assessment of the supplier's Quality Assurance System. This listing is subject to the conditions set forth in the characteristics below and is not to be construed as any recommendation, assurance or guarantee by IAPMO Research and Testing, Inc. of the product except as authorized by written testing procedures.

The most updated information on this Certificate of Listing is available online at [pld.iapmo.org](http://pld.iapmo.org)

Effective Date: November 2016      -Rev. 3/1/2017-      Void After: November 2017

Product: Plumbing Fixture Fittings      File No. 4528

Issued To: **Heppell Inc.**  
375 Mattatuck Heights  
Middletown, CT 06755

Identification: Each fitting component shall bear permanent legible markings to identify the manufacturer. This marking shall be the trade name, trademark, or other mark known to identify the manufacturer. The product shall also bear all other markings required by the standard. The marking shall be located where it can be readily seen after installation is complete. The product or packaging shall also bear the UPC® certification mark.

Characteristics: Plumbing fixture fitting components to be installed in accordance with the manufacturer's instructions and the requirements of the latest edition of the Uniform Plumbing Code.

Products listed on this certificate have been tested by an IAPMO R&T recognized laboratory. This recognition has been granted based upon the laboratory's compliance to the applicable requirements of ISO/IEC 17025.

Products are in compliance with the following code(s):  
Uniform Plumbing Code (UPC®)  
National Plumbing Code of Canada

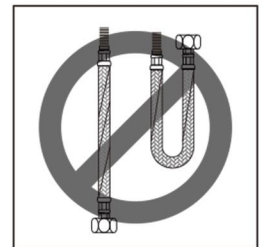
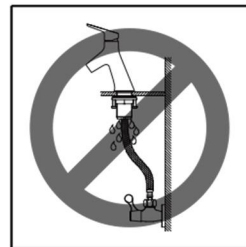
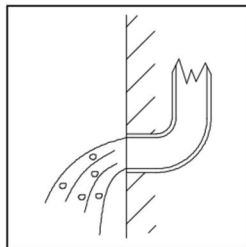
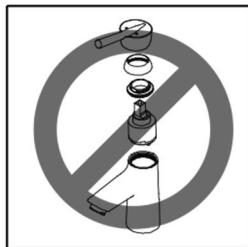
Chairman, Product Certification Committee      CEO, The IAPMO Group



This listing period is based upon the last date of the results indicated on the Effective Date and Year After Date shown above. Any change in material, manufacturing process, marking or design without testing first obtained the approval of the Product Certification Committee, or any extension of manufacturing with applicable code and standards of the Product Certification Committee, shall be deemed sufficient cause for revocation of this listing. Production of or reference to this listing for advertising purposes may be made only by specific written permission of IAPMO Research and Testing, Inc. Any alteration of this certificate could be grounds for revocation of this listing. This document shall be reproduced in its entirety.

## Installation precautions

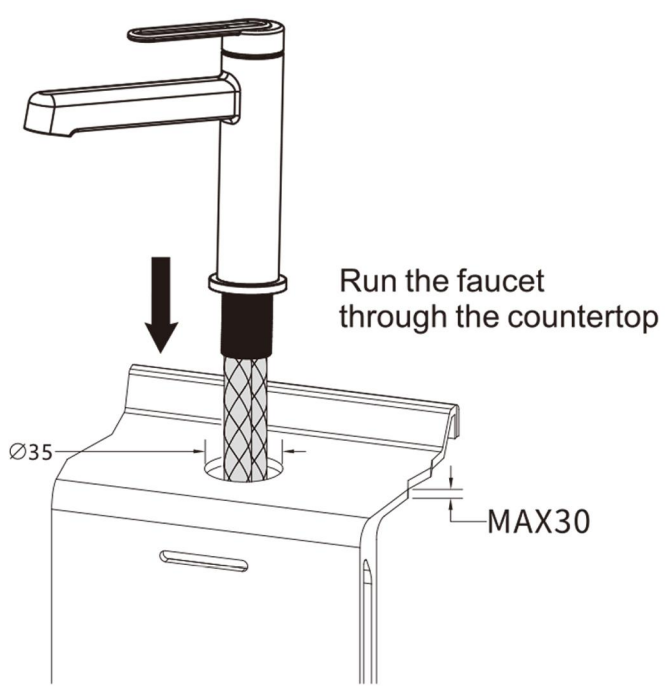
- After opening the product package, please check the completeness of the parts listed in the "Standard Parts List". If there are any defects, please contact your local dealer immediately.
- The main part of the faucet has been tested and debugged by the factory. Do not disassemble it by yourself to avoid affecting the performance.
- Red and blue plastic wrenches were added to the supply hoses; make sure that the blue one is connected to the right supply valve and the red one to the left valve.
- Before installing the faucet, make sure to remove any impurities or sludge in the buried pipeline so as not to block or affect the water output function.
- The internal structure of the faucet contains components that are susceptible to high temperatures such as silica gel. Do not install it in high temperature environments or use it at a water temperature exceeding 90°C for a long time.
- The faucet functions at a minimum water pressure of 0.5 bar to 7.5 bar maximum.
- Do not bend the hose excessively. Make sure that it is not deformed after installation.



## Installation precautions

	No	Part name	Quantity
	1	Main Body	1
	2	Decorative base	1
	3	Silicone gasket	1
	4	Silicone gasket	1
	5	Stainless steel gasket	1
	6	Retaining nut	1
	7	Inlet hose	2
8	Instruction manual	1	

# INSTALLATION STEPS

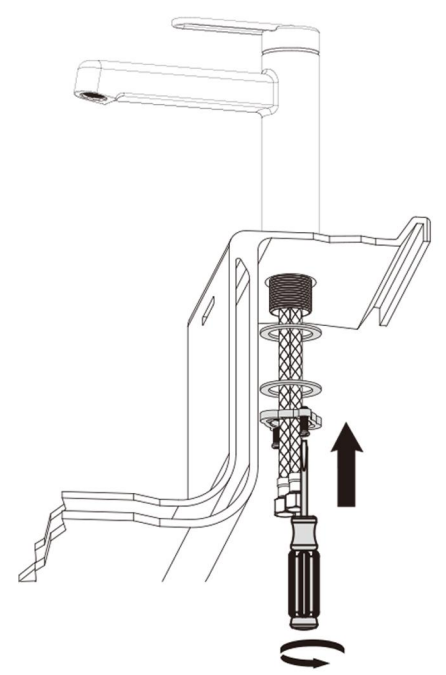


Run the faucet through the countertop

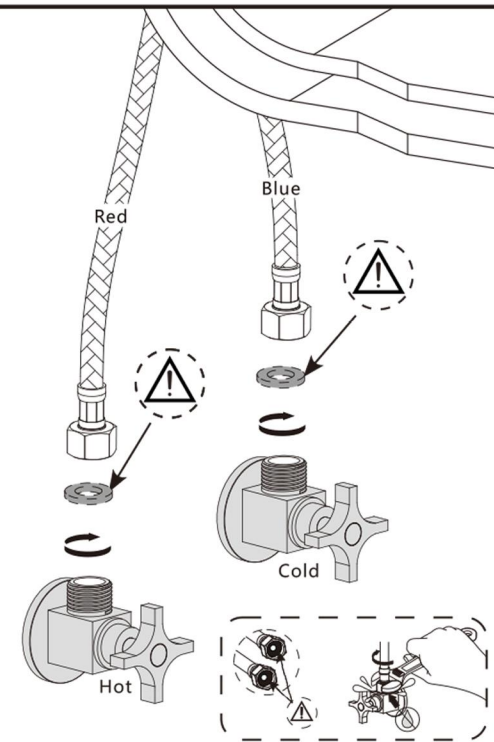
Ø35

MAX30

The recommended opening size of mesa is 35-40mm and the maximum thickness is 30mm



Tighten the nut and fasten the screw with a screwdriver



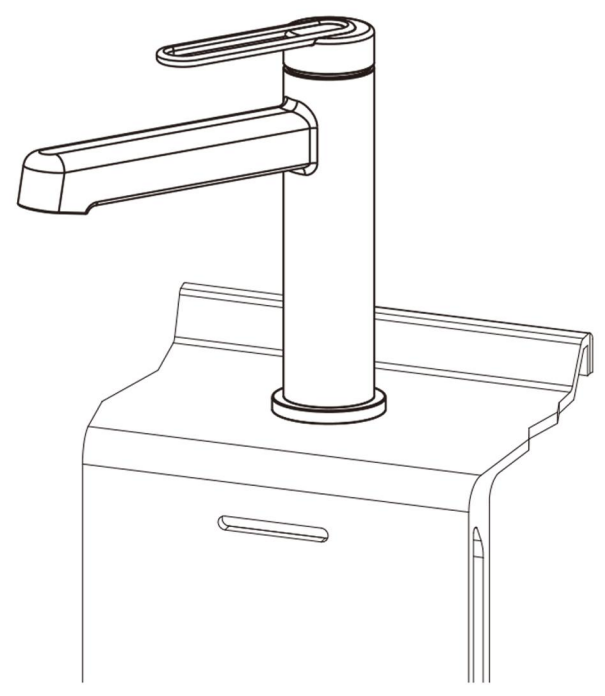
Red

Blue

Hot

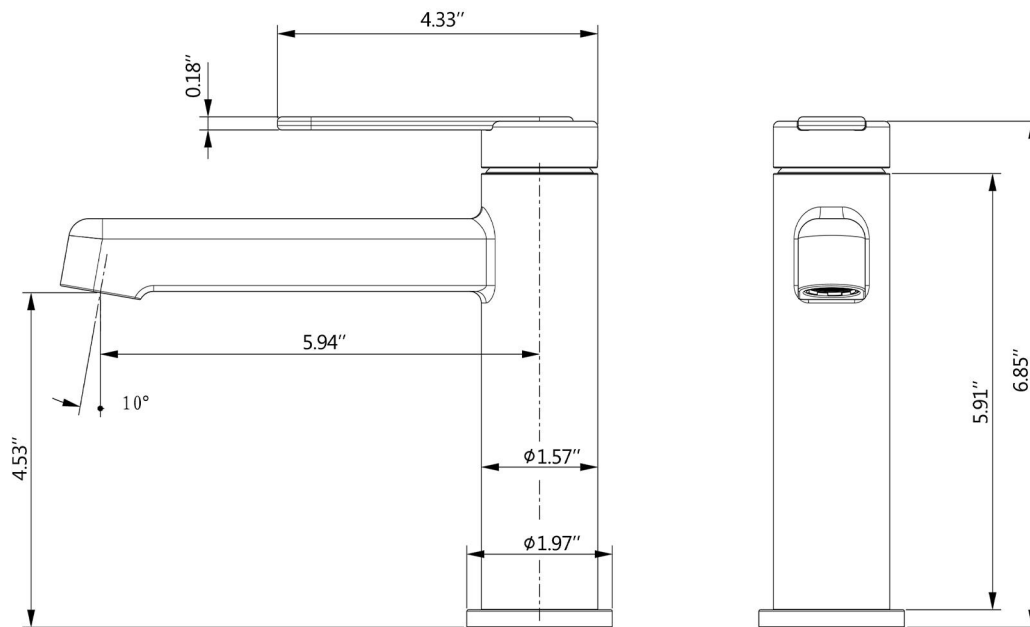
Cold

Check whether the gasket is connected to the water inlet pipe by securing it with a wrench

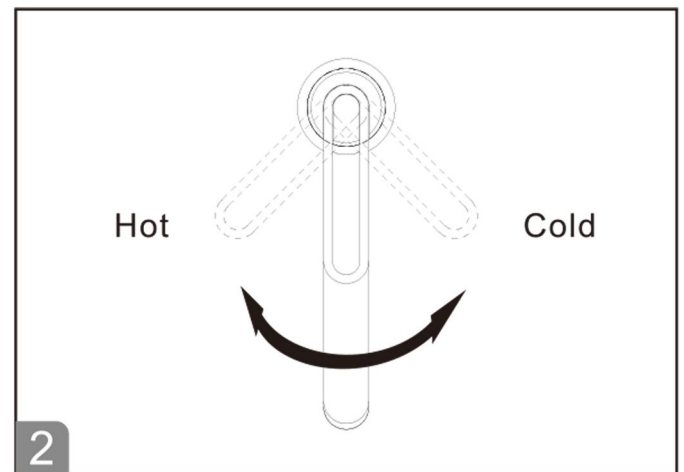
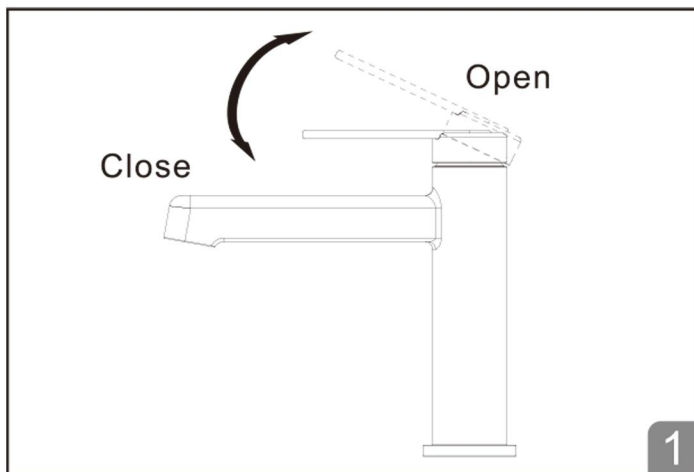


Installation complete

## Product size



## Usage method



## Care and maintenance

1. Wash the surface of the faucet frequently with water, and then dry it with a cotton cloth
2. It is strictly prohibited to use acid cleaning agent to corrode the faucet surface and affect the service life
3. It is strictly forbidden to disassemble each part of the faucet by itself, which can easily cause the risk of water seepage
4. If the tap water output becomes smaller, check whether the inlet pipe and bubbler are blocked by scale and clean up



**Please Do Not Return the Product to the Store.  
Contact us with any questions.**

---