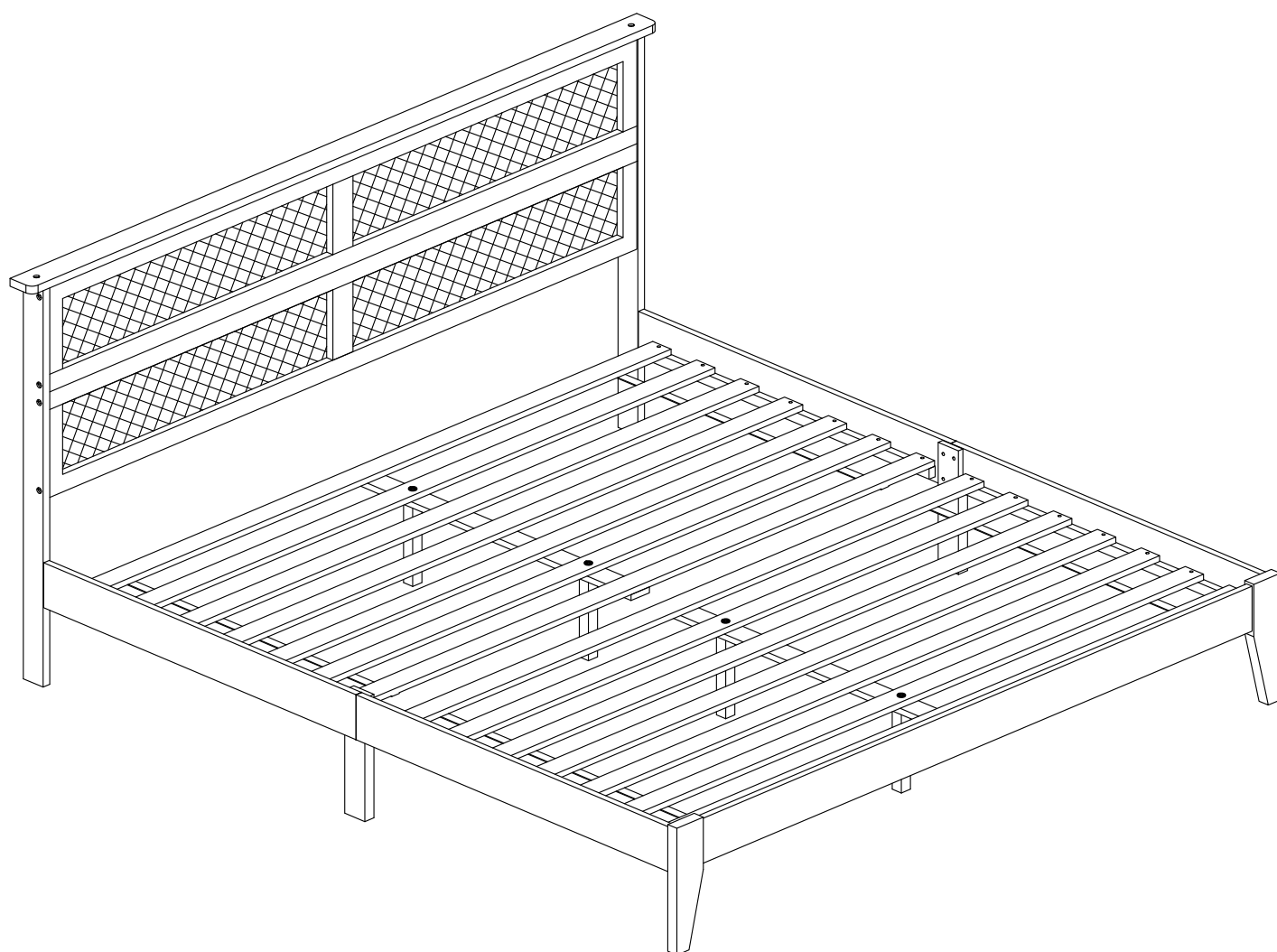


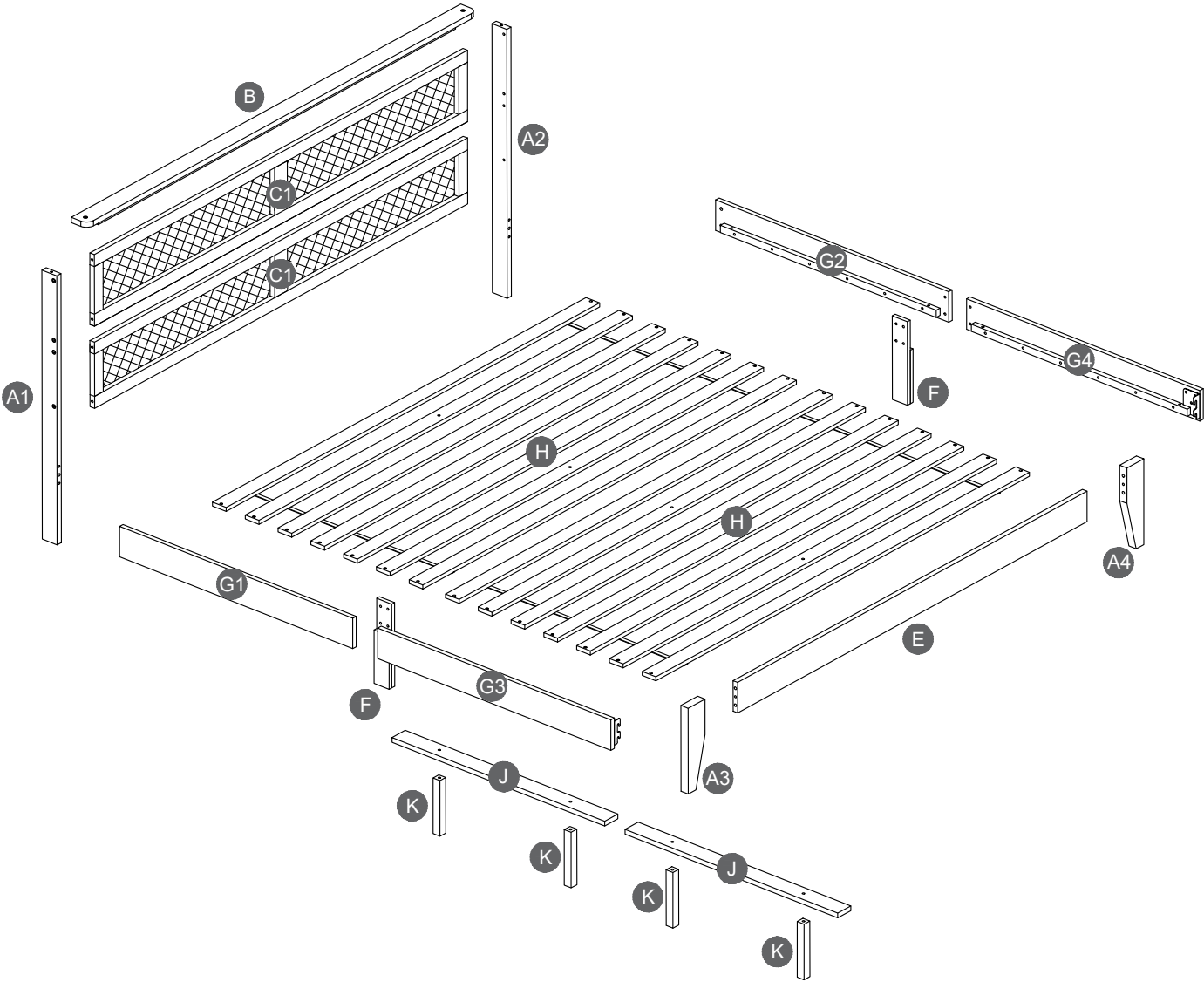
ASSEMBLY INSTRUCTIONS

KING BED WITH HEADBOARD

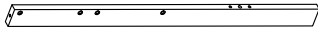
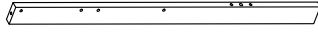
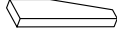

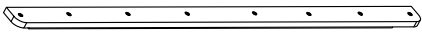
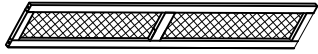
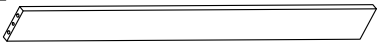
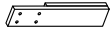


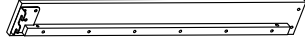
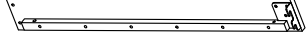
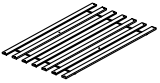

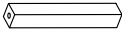


MK68115

Detail View



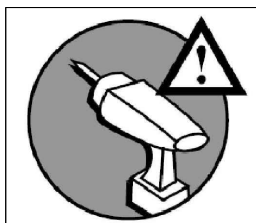
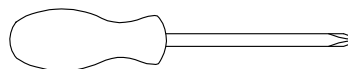
Part List

A1  Leg (Headboard Left) - 1pc	A2  Leg (Headboard Right) - 1pc	A3  Leg (Footboard Left) - 1pc
A4  Leg (Footboard Right) - 1pc	B  Top Panel (Headboard) - 1pc	C1  Middle Panel (Headboard) - 2sets
E  Panel (Footboard) - 1pc	F  Side Rail Support (Left & Right) - 2pcs	G1  Side Rail Left (Headboard) - 1pc
G2  Side Rail Right (Headboard) - 1pc	G3  Side Rail Left (Footboard) - 1pc	G4  Side Rail Right (Footboard) - 1pc
H  Bed Slats - 2Sets	J  Center Rail - 2pcs	K  Support Leg - 4pcs

Hardware List

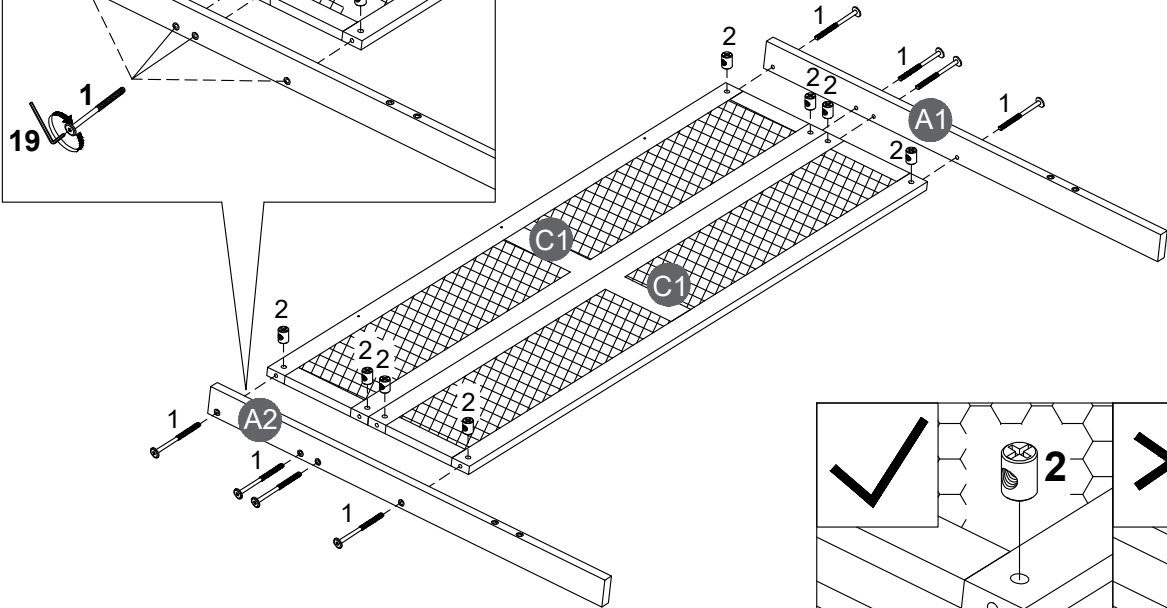
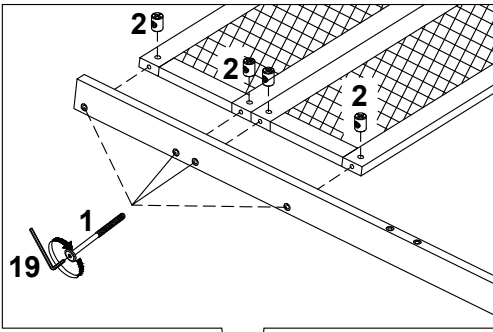
1  M6 x 60mm JCBC (10pcs)	2  M6 x 15mm Barrel Nut (12pcs)	3  M10 x 30mm Wood Dowel (6pcs)
4  M6 x 40mm JCBC-W (2pcs)	5  M4 x 32mm CSK Screw (3pcs)	6  M6 Half Moon Nut (2pcs)
7  Flat Washer (2pcs)	8  Split Lock Washer (2pcs)	9  M6 x 30mm JCBC (8pcs)
10  M6 x 30mm JCBC-W (8pcs)	11  M4 x 25mm CSK Screw (20pcs)	12  Adjustable Screw (4pcs)
13  Flat M6 Washer (8pcs)	14  M6 x 110mm JCBC (4pcs)	15  M8 x 20mm JCBB (4pcs)
16  Sticker Cap (10pcs)	17  M8 Flat Washer (4pcs)	18  M8 x 80mm JCBB (4pcs)
19  M4 Allen Key (1pc)	20  M5 Allen Key (1pc)	



ASSEMBLY TOOLS REQUIRED (NOT INCLUDED)

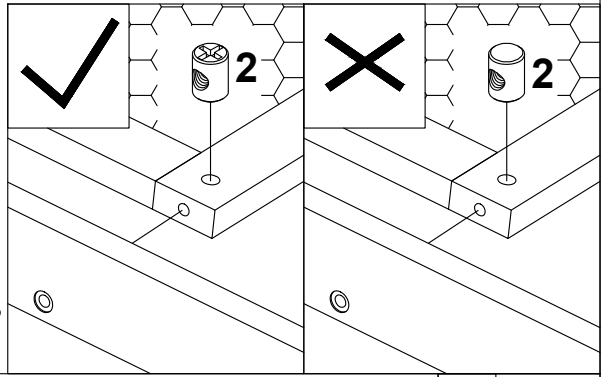


PLEASE BE CAREFUL DO NOT DAMAGE THE HOLE POSITION WHEN YOU USE POWER TOOLS !

STEP 1:

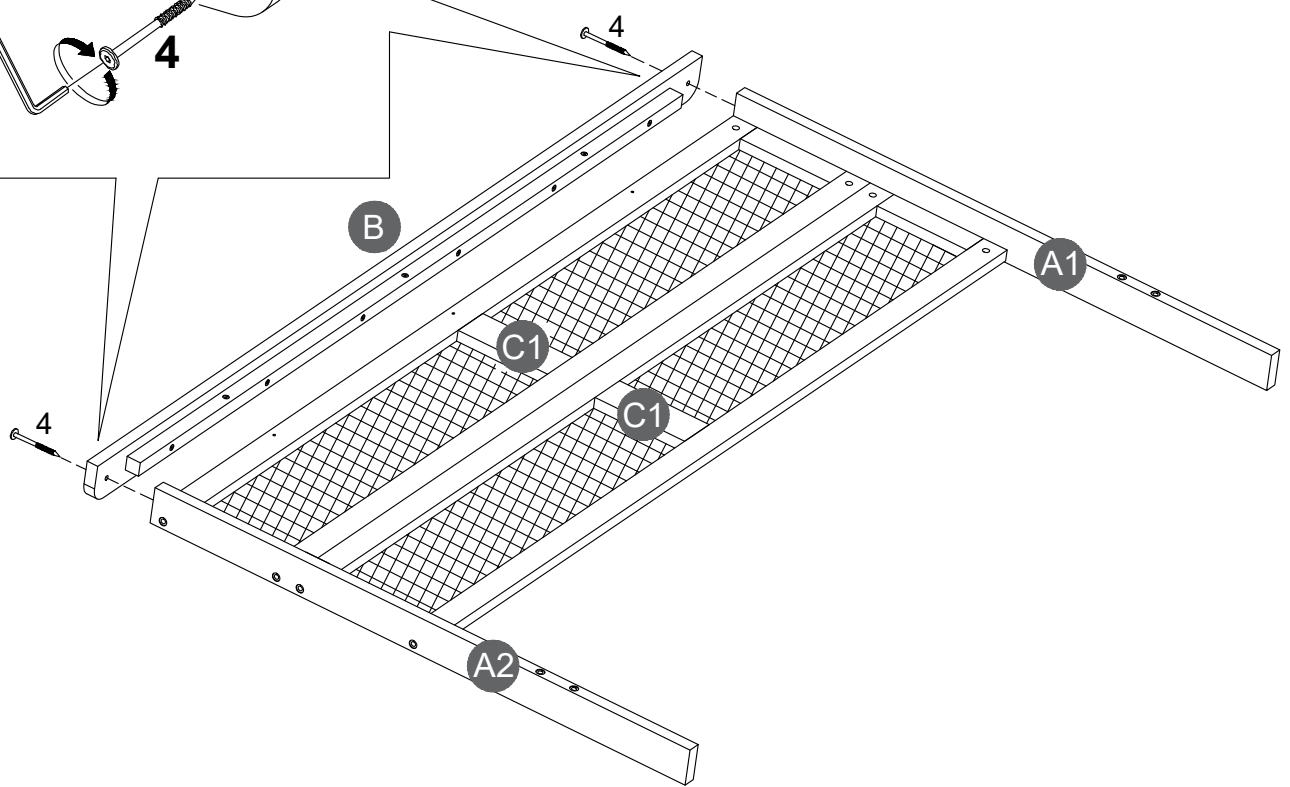
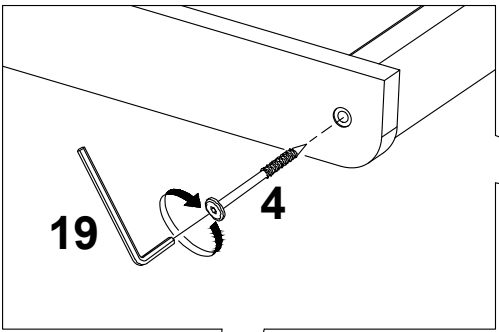



1		2	
8PCS		8PCS	



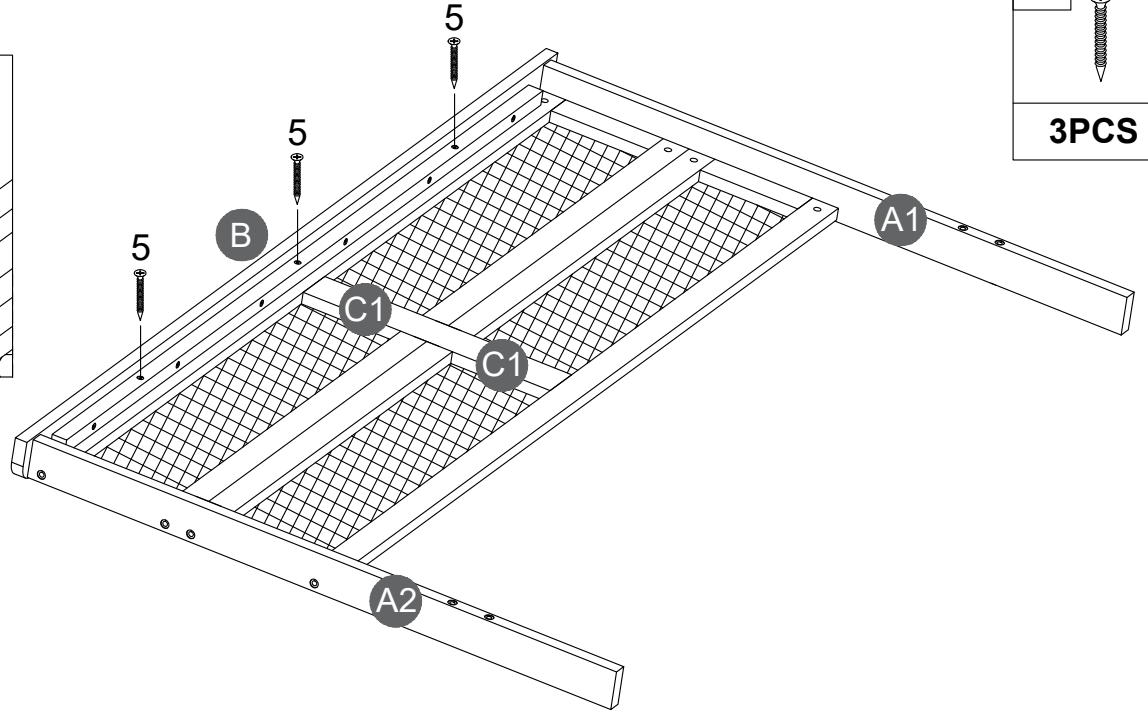
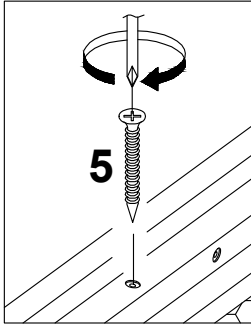
Note: Part 2 will face up with the "x" mark on it, otherwise it cannot be tightened

STEP 2:



4	
2PCS	

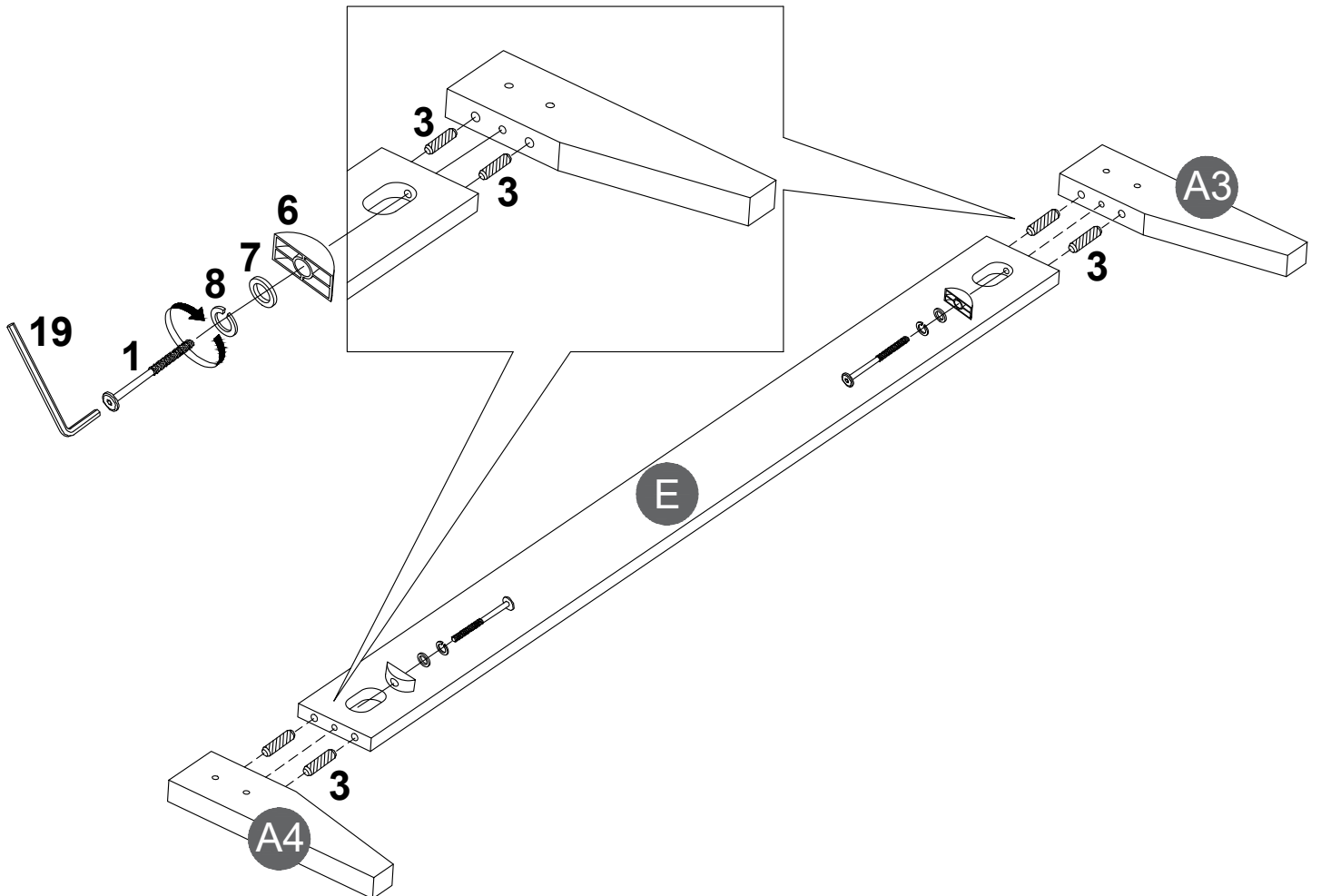
STEP 3:





5	
3PCS	

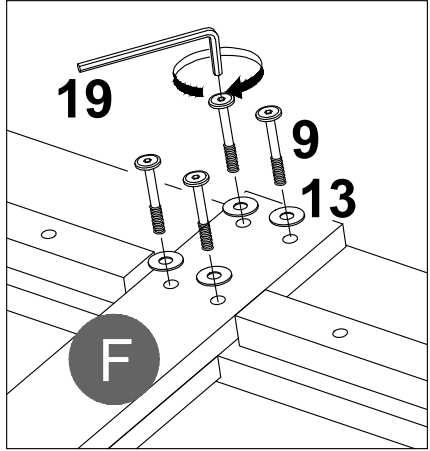
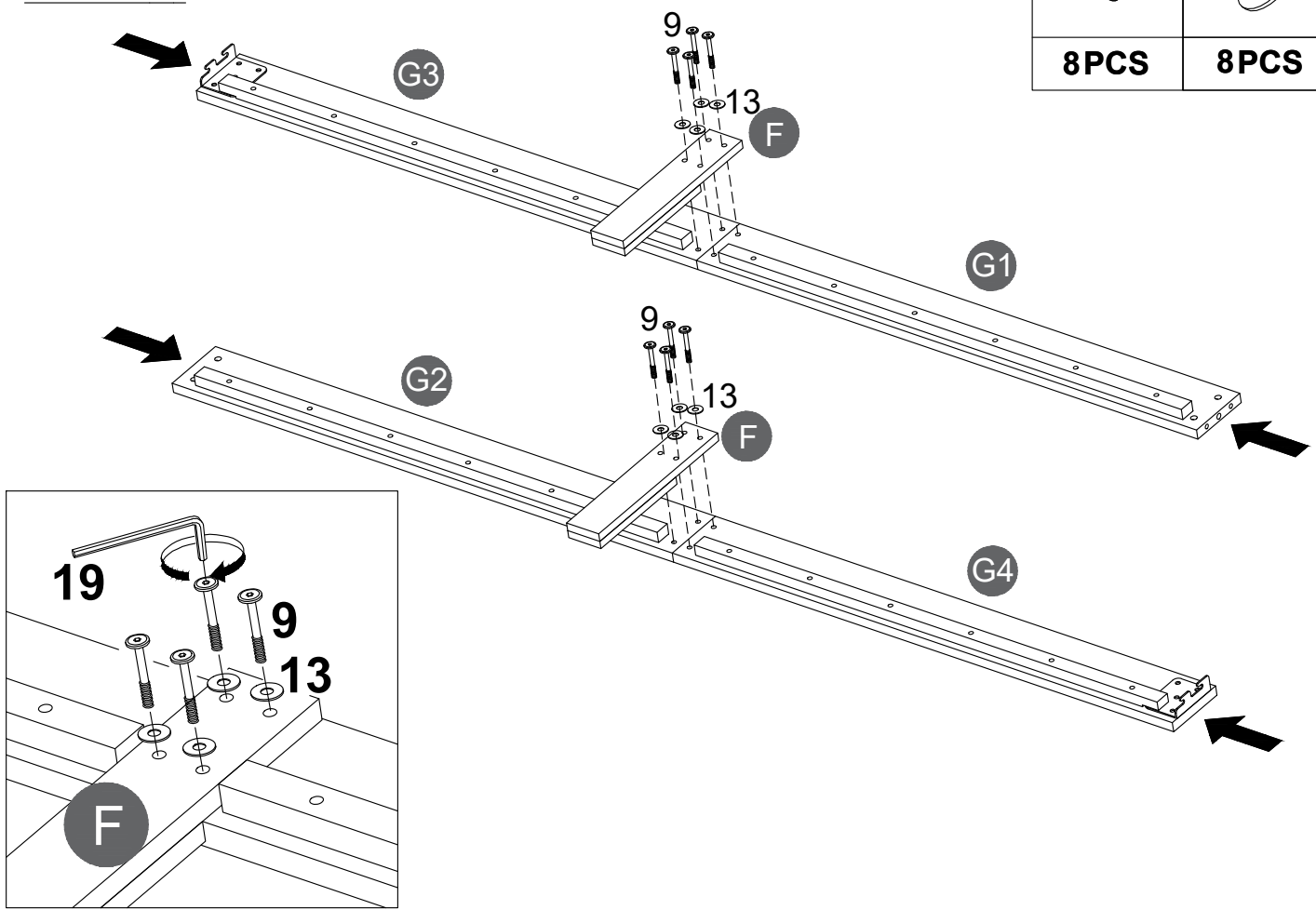
STEP 4:

1		3		6		7		8	
2PCS		4PCS		2PCS		2PCS		2PCS	







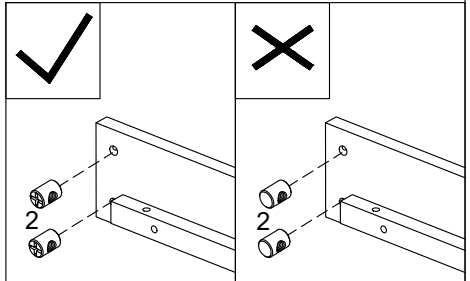
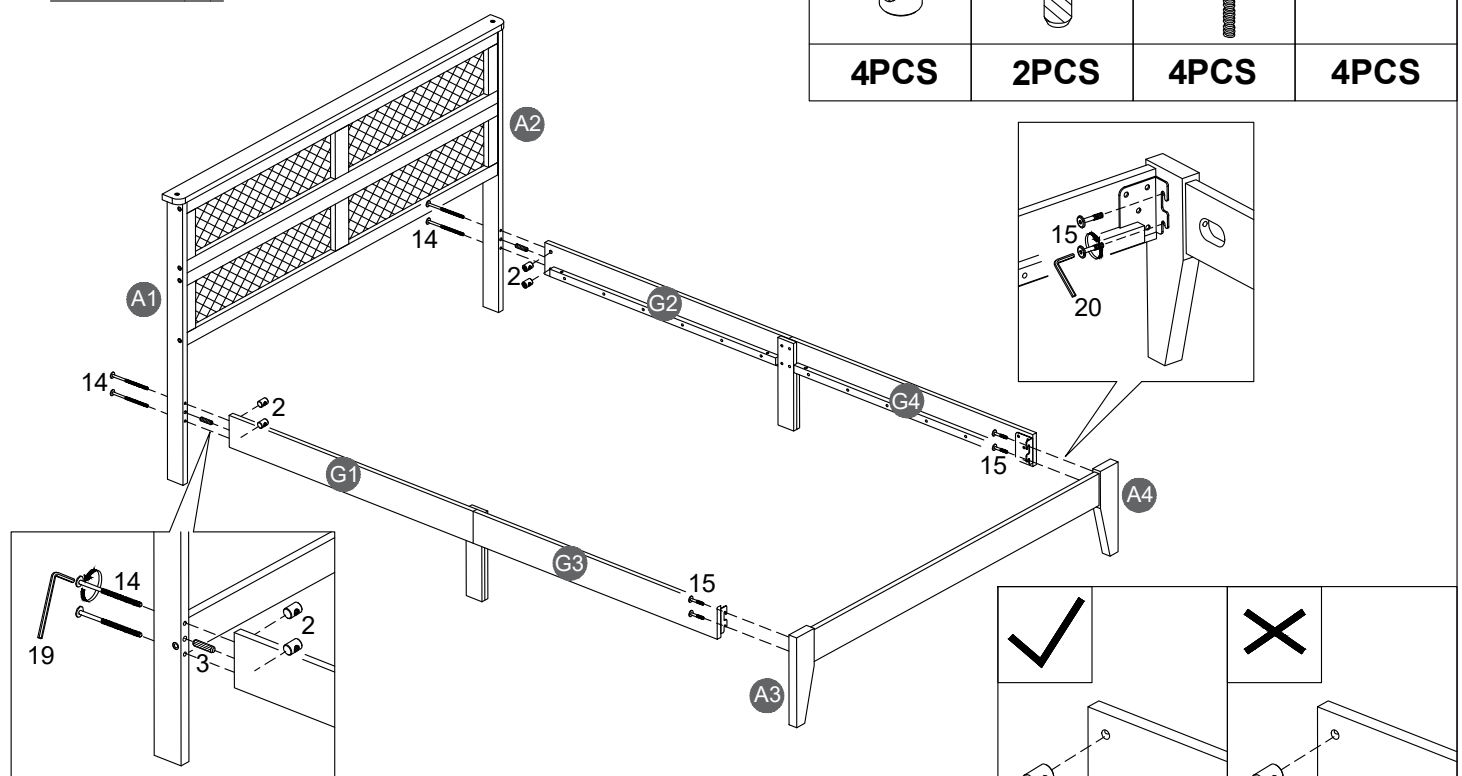
STEP 5:

9		13	
8PCS		8PCS	



STEP 6:

2		3		14		15	
4PCS		2PCS		4PCS		4PCS	



Note: Part 2 will face up with the "x" mark on it, otherwise it cannot be tightened

