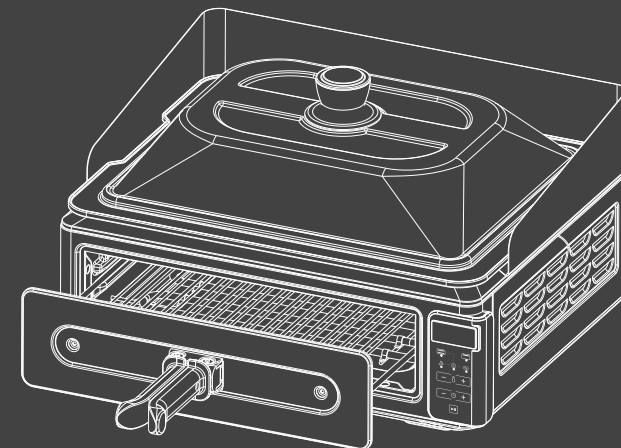
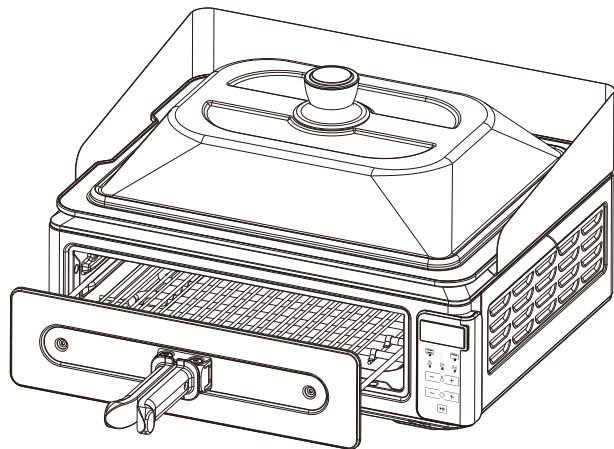


# GRIDDLE AND OVEN COMBO

## Instruction Manual

JG-Z01-SR



### Supporto Tecnico

(909) 637-7665 | (909) 637-7593

[HJ-Customer-Service@outlook.com](mailto:HJ-Customer-Service@outlook.com)

Grazie per aver scelto questo prodotto. Facciamo di tutto per fornirvi i prodotti e i servizi di altissima qualità nel settore. In caso di qualsiasi problemi, non esitate a contattarci.

✉ [HJ-Customer-Service@outlook.com](mailto:HJ-Customer-Service@outlook.com)

☎ (909)637-7665 | (909)637-7593

EST 9:00AM--17:00PM

# THANK YOU

FOR PURCHASING THE GRIDDLE AND OVEN COMBO

---

## SPECIFICATIONS

Voltage	AC 120V
Frequency	60Hz
Wattage	1500W
Product size	432*372*275 mm
Temp controlled	90°F-500°F / 30°C-260°C
Time control	up to 60min

## PACKAGE CONTENTS

- 1× Grill Plate
- 1× Grill Plate lid
- 1× Splash Guard
- 1× Drawer Wire Rack
- 1× Crumb Tray
- 1× User Manual

# CONTENTS

---

IMPORTANT SAFEGUARDS .....	01
GETTING TO KNOW YOUR GRIDDLE AND OVEN COMBO .....	05
CONTROL PANEL .....	07
BEFORE FIRST USE .....	08
USE OF THE ACCESSORIES .....	09
QUICK START GUIDE .....	11
• OVEN Cooking .....	11
• GRILL Cooking .....	13
COOKING GUIDE .....	15
CLEANING & MAINTENANCE .....	16
TROUBLESHOOTING .....	17
WARNING INFORMATION .....	19

# IMPORTANT SAFEGUARDS

## HOUSEHOLD USE ONLY.

When using electrical appliance, basic safety precautions should always be followed, including the following:

### READ ALL INSTRUCTIONS.

- This appliance is not intended for use by persons (including children) with reduced physical, sensory or mental capabilities or lack of experience and knowledge, unless they have supervision or instructions concerning use of the appliance by a person responsible for their safety.
- Keep the appliance and its cord out of reach of children. **DO NOT** allow the appliance to be used by children. Close supervision is necessary when used near children.
- Children should be supervised to ensure that they **DO NOT** play with the appliance.
- **NEVER** use electrical socket below counter.
- **NEVER** connect this appliance to an external timer switch or separate remote-control system.
- When using this appliance, provide at least 6 inches (15.25 cm) of space above and on all sides for adequate air circulation.
- To protect against electrical shock. **DO NOT** immerse cord, plugs, or main unit housing in water or other liquid.
- Regularly inspect the appliance and power cord. **DO NOT** use the appliance if there is damage to the power cord or plug. If the appliance malfunctions or has been damaged in any way, immediately stop use and call Customer Service.
- **NOTE:** This oven uses a short power-supply cord to reduce the risk of entangling or tripping. Extension cords are not recommended.
- **ALWAYS** ensure the appliance is properly assembled before use.
- **DO NOT** cover the air intake vent or air outlet while unit is operating. Doing so will prevent even cooking and may damage the unit or cause it to overheat.
- **ALWAYS** use heat-safe containers. Be extremely cautious if using containers that are not metal or glass.
- **NOT** for commercial use. This appliance is for household use only. **DO NOT** use this appliance for anything other than its intended use. **DO NOT** use in moving vehicles or boats. **DO NOT** use outdoors. Misuse may cause injury.
- Intended for counter top use only. Ensure the surface is level, clean and dry. **DO NOT** move the appliance when in use.
- **DO NOT** place the appliance near the edge of a counter top during operation.
- **DO NOT** use accessory attachments not recommended or sold by. Do not place accessories in a microwave, toaster oven, convection oven, or conventional oven or on a ceramic cooktop, electric coil, gas burner range or outdoor grill. The use of accessory attachments not recommended by may cause fire, electric shock or injuries.
- **DO NOT** place paper, cardboard, or nonheat-resistant plastic into your oven, or any materials which may catch fire or melt.
- **NEVER** put baking or parchment paper into the oven without food on top. Air circulation can cause paper to move and touch heating element.
- **DO NOT** use this appliance for deep-frying.
- **DO NOT** place appliance on hot surfaces or near a hot



## SAFETY WARNING

- gas or electric burner or in a heated oven.
- Oversize foods or metal utensils must not be inserted in a toaster-oven as they may create a fire or risk of electric shock.
- **DO NOT** store anything on top of your oven while it is operating. Do not store anything inside your oven other than recommended accessories.
- Outlet voltages may vary, affecting the performance of your product. To prevent possible illness, use a thermometer to check that your food is cooked to the temperatures recommended.
- Immediately turn off and unplug your oven if you see dark smoke. Food may be burning. Wait for smoke to clear before opening the oven door.
- **DO NOT** touch hot surfaces. Appliance surfaces are hot during and after operation. To prevent burns or personal injury, **ALWAYS** use protective hot pads or insulated oven mitts and use available handles or knob.
- Be extremely cautious when removing a tray, basket, or rack if it contains hot oil, grease, or other hot liquids. Improper use may result in personal injury.
- This appliance has a polarized plug (one blade is wider than the other). To reduce the risk of electric shock, this plug is intended to fit into a polarized outlet only. If the plug does not fit fully into the outlet, reverse the plug. If it still does not fit, contact a qualified electrician. **DO NOT** attempt to modify the plug in any way. (\*Only available for 120V)
- Spilled food can cause serious burns. Keep appliance and cord away from children. **DO NOT** let cord hang over edges of tables or counters or touch hot surfaces.
- The accessories or containers become extremely hot during the cooking process. Avoid physical contact while removing the accessories or containers from the appliance. **ALWAYS** place accessories or containers on a heat-resistant surface after removing. **DO NOT** touch accessories or containers during or immediately after cooking.
- Cleaning and user maintenance should not be carried out by children.
- To disconnect, press the power button to turn off the unit, then unplug from outlet. Allow to cool before cleaning, disassembly, putting in or taking off parts and storage.
- **DO NOT** clean with metal scouring pads. Pieces can break off the pad and touch electrical parts, creating the risk of electric shock.
- Please refer to the Cleaning & Maintenance section for regular maintenance of the appliance.
- **ALWAYS** use heat-resistant gloves, pads, or oven mitts when handling hot materials, and when placing items in or removing items from the oven, including trays, racks, accessories, or containers.
- A fire may occur if the toaster-oven is covered or touching flammable material, including curtains, draperies, walls, and the like, when in operation. **DO NOT** store any item on top of the appliance when in operation.
- Clean the crumb tray after using. Accumulated grease and crumbs can overheat and catch fire.

# IMPORTANT SAFEGUARDS

HOUSEHOLD USE ONLY.

---

- To avoid overheating, do not use metal foil in the oven unless directed. Use extreme caution when using foil, and always fit foil as securely as possible. If the foil contacts the oven's heating elements, this can cause overheating and risk of fire.
- This oven complies with all standards regarding electromagnetic fields. If handled properly and according to the instructions in the user manual, the appliance is safe to use based on scientific evidence available today.
- **ALWAYS** attach plug to appliance first, then plug cord into the wall outlet. To disconnect, press the power button to turn the oven off., then remove plug from wall outlet.
- **DO NOT** place the Electric Oven on or near combustible materials such as curtains or tablecloths.



SAFETY WARNING

---



Indicates to read and review instructions to understand operation and use of product.



Indicates the presence of a hazard that can cause personal injury, death or substantial property damage if the warning included with this symbol is ignored.



Take care to avoid contact with hot surface. Always use hand protection to avoid burns.

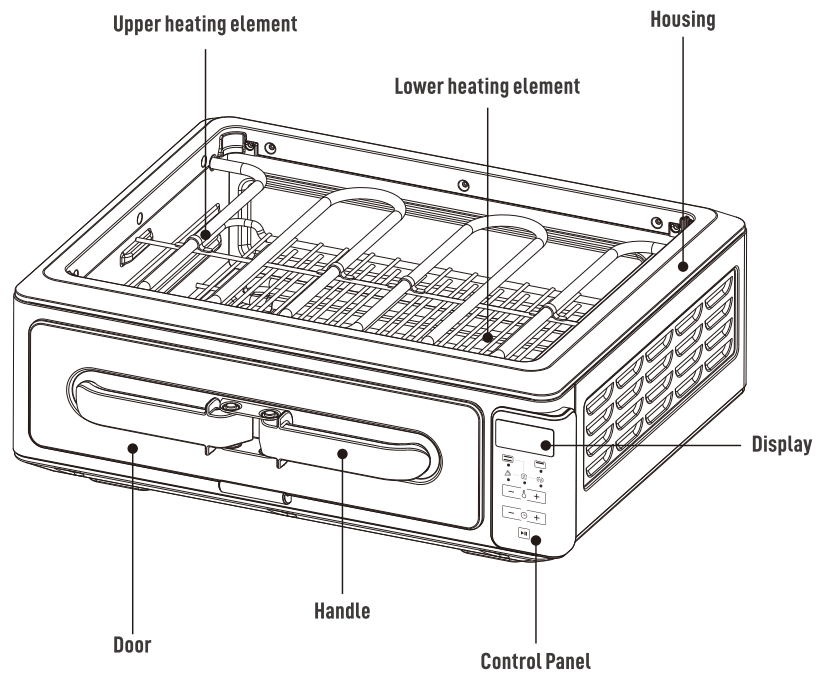


For indoor and household use only.

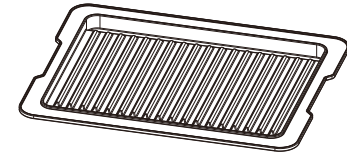
## SAVE THESE INSTRUCTIONS.

# GETTING TO KNOW YOUR GRIDDLE AND OVEN COMBO

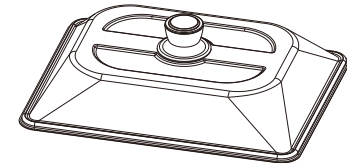
---



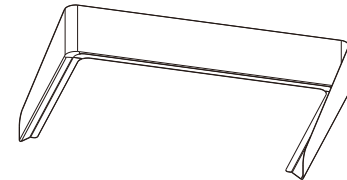
Grill Plate



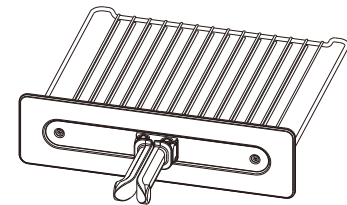
Grill Plate Lid



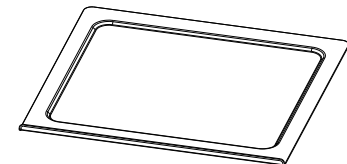
Splash Guard



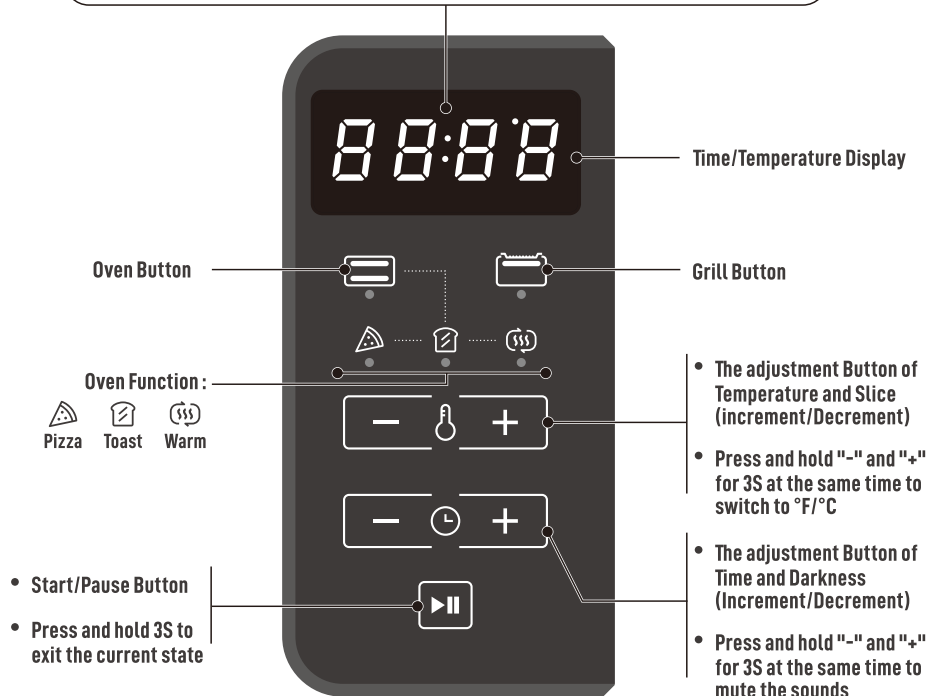
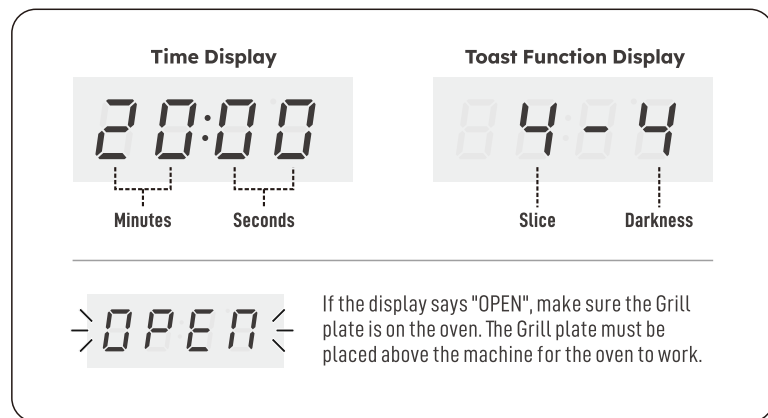
Drawer Wire Rack



Crumb Tray



## CONTROL PANEL



## BEFORE FIRST USE

### SETTING UP

- Remove and discard any packaging material, promotional labels, and tape from the unit.
- Remove all accessories from the package and read this manual carefully. Please pay particular attention to operational instructions, warnings, and important safeguards to avoid injury or property damage.
- Prior to initial use, wash Grill Plate, Grill Plate Lid, Splash Guard, Drawer Wire Rack, Crumb Tray, then dry thoroughly.
- Lightly wipe inner walls of the oven using a damp cloth.
- Use a small amount of detergent, avoiding sprays or abrasive-polishing agents.
- Avoid touching electric heating elements or soaking the oven's interior with water.

### TEST RUN

A test run will help you become familiar with your oven, make sure it's working correctly, and clean it of possible residues.

- Make sure there is no food or packaging in the oven and plug it in.
- Press "Oven", then press to begin, The display will show the timer counting down.
- The oven will stop heating and beep several times when finished.

### CAUTION

- The outer surface of the oven, including the oven door, is hot during and after use. Temperature may be over 212°F (100°C). **DO NOT** touch hot surfaces.
- Appliance surfaces are will be extremely hot during and after use. To prevent burns or personal injury, **ALWAYS** use protective hot pads or insulated oven mitts and use available handles. Allow at least 30 minutes for the appliance to cool before attempting cleaning or storing.
- **ALWAYS** use heat-resistant gloves, pads, or oven mitts when handling hot materials, and when placing items in or removing items from the oven.

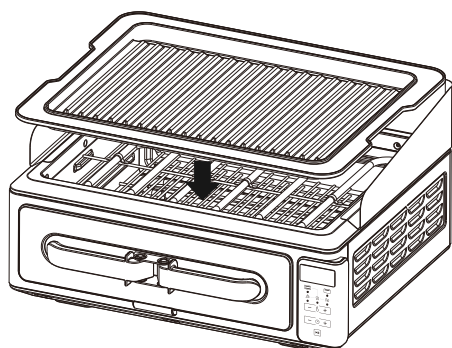
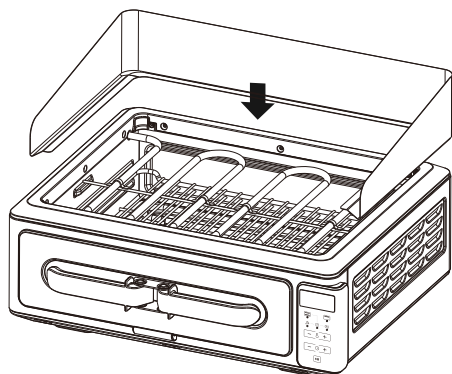
# USE OF OVEN ACCESSORIES

## Using The Grill Plate and Splash Guard

- Place the splash guard, and then the Grill Plate on the oven.

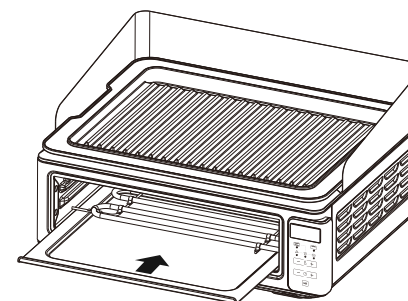
**NOTE:**

- *The Grill plate must be placed above the machine for the oven to work.*
- *To prevent scratching the coating, use only nonmetallic utensils. Do not cut food on the Grill Plate using sharp utensils, such as forks or knives, that can scratch the cooking surface.*

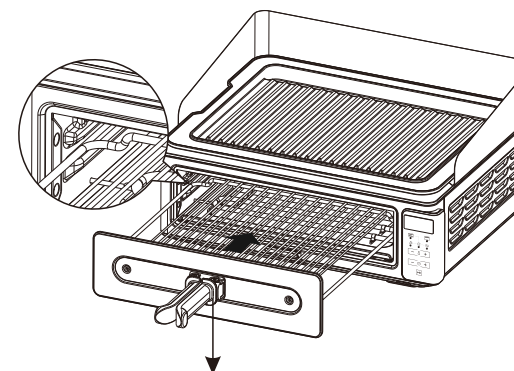


## Using The Crumb Tray

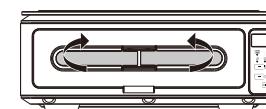
- Slide the Crumb Tray into the bottom of the inside of the appliance (below the heating elements). (see Figure 1).
- Never operate the appliance without the Crumb Tray in place.
- If the Crumb Tray becomes more than half full, pause the cooking process and clean the Crumb Tray before continuing.
- To remove, use oven mitts.



## Using The Drawer Wire Rack

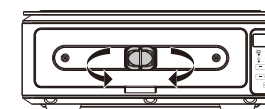


CLOSE



When not in use, you can put it away

OPEN

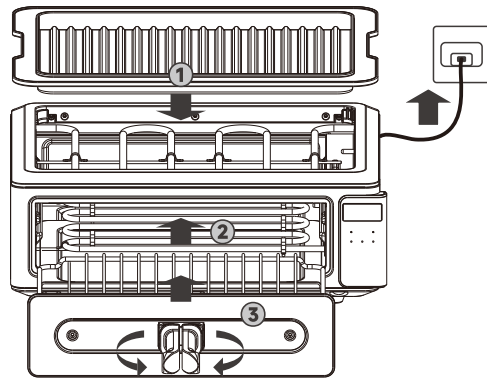


Handle must remain open during cooking phase

# QUICK START GUIDE

1.

Place the **Grill plate**① on the oven. Insert **Crumb Tray**② into cavity (below lower heater), then insert **Drawer Wire Rack into**③ the oven and **Handle must remain open**. Insert the **power plug** into a power outlet, the display screen lights up.

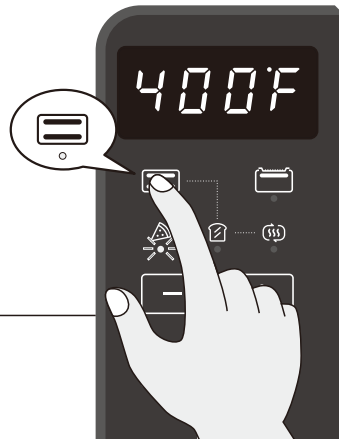
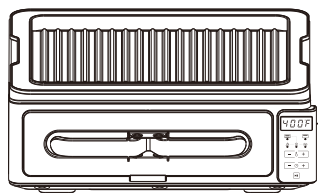


**NOTE:**

- Please keep the Grill plate above the machine so that the oven can work.
- Handle must remain open during cooking phase.

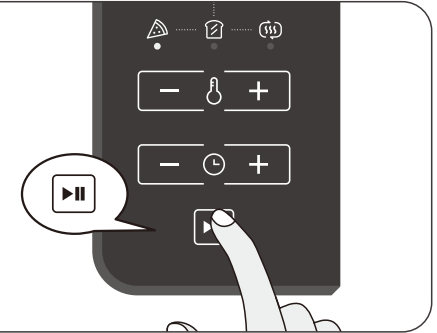
2.

Select the "☰" Oven button, the oven indicator light illuminates, the default function "🍷" PIZZA menu, and the pizza indicator flashes. (If you select other oven functions, continue to press the "☰" Oven button).



3.

Press the "− ⏸ +" button to set your temperature. Press the "− ⌚ +" button to set your time. Press the start-pause button "▶||", the oven is start working and count down.

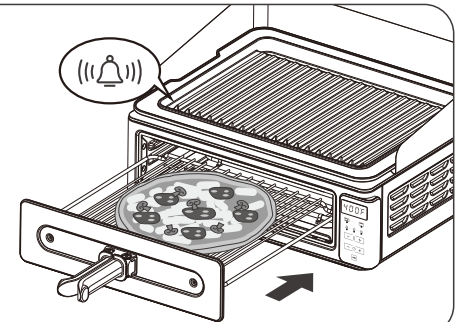


4.

When the temperature reaches, the oven rings, using oven mitts, immediately pull-out the Drawer Wire Rack and, place pizza on the Drawer Wire Rack then into the oven, and press the start-pause button "▶||" start the countdown timer.

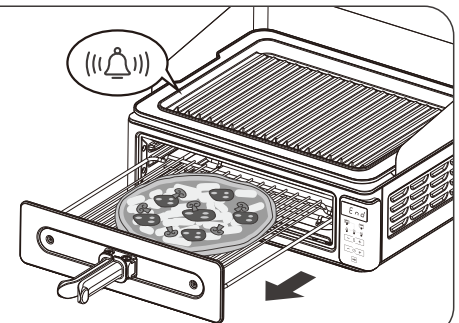
**NOTE:**

- Handle must remain open during cooking phase.



5.

When cooking is complete, the unit will beep and "END" will appear on the display. Use oven mitts, to pull-out the Drawer Wire Rack, Enjoy your pizza.



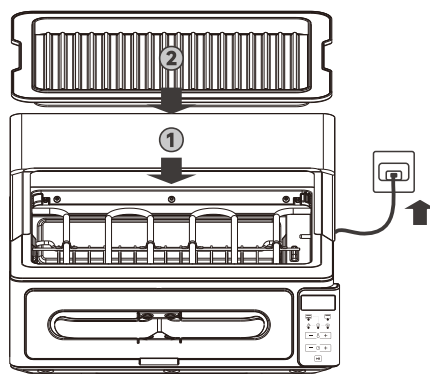
# QUICK START GUIDE

1.

Place the **Splash Guard**<sup>①</sup> and the **Grill plate**<sup>②</sup> on the oven.

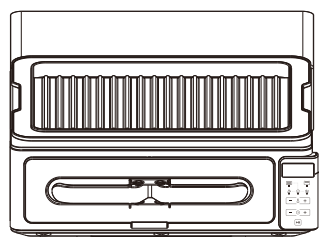
Insert Crumb Tray into cavity (below lower heater), then insert Drawer Wire Rack into the oven.

Insert the **power plug** into a power outlet, the display screen lights up.



2.

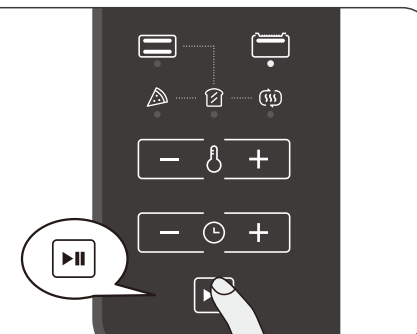
To select the "🍷" **Grill** button, the grill indicator light illuminates.



# GRILL

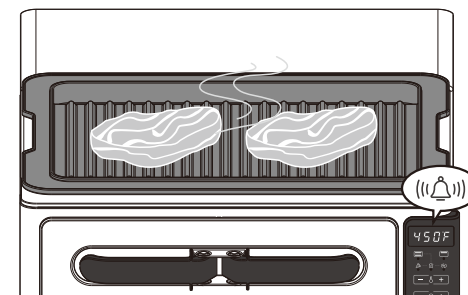
3.

Press the "− 0 +" button to set your temperature. Press the "− ⌚ +" button to set your time. Press the start-pause button "▶||", the oven is start working and count down.



4.

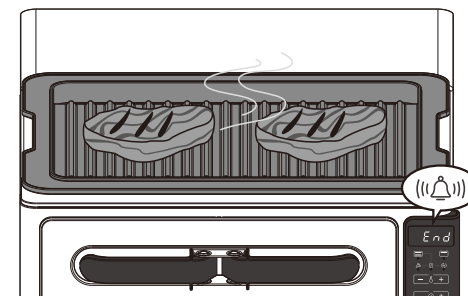
- When the temperature reaches, the oven rings, place the food on the baking sheet.
- If the start button is not pressed, the countdown automatically starts after 1 minute.
- Flipping the food during the cooking process.



5.

When cooking is complete, the unit will beep and "END" will appear on the display. Use tongs to remove the food, Enjoy your food.

**NOTE:**  
You can press the start-pause button to pause any cooking cycle.








# COOKING GUIDE

## COOKING FUNCTIONS QUICK REFERENCE CHART

The Time and Temperature on the chart below refer to the basic default settings. As you become familiar with the appliance, you will be able to make minor adjustments to suit your taste.

**NOTE:** Always make sure the crumb tray is properly in place at the bottom of the oven when cooking.

Function	Default Temperature&Time	Range Temperature&Time	Active Heating Elements
 Pizza	400° F/205° C 18 minutes	210-450°F / 100-260°C 1 min-60min	Upper + Lower
 OVEN	 Toast	Level 4-4 slices Temperature and Time are automatic	Upper + Lower
	 Warm	140° F/60° C 30 minutes	Upper + Lower
 GRILL	450° F/230° C 30 minutes	210-500°F / 100-260°C 1 min-60 min	Upper

# CLEANING & MAINTENANCE

Clean accessories (including trays, etc.) and oven interior after every use. Always let all parts cool to room temperature before cleaning.

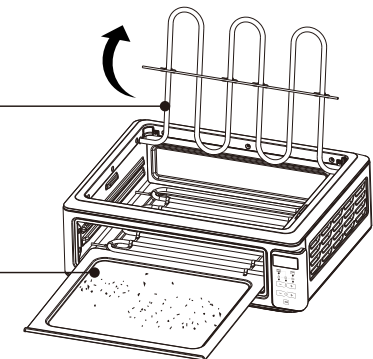
**NOTE:**

- Do not use abrasive cleaners, metal scouring pads, or metal utensils on any part of the oven, including trays and other accessories. These will scratch or damage their surfaces.
- This oven contains no user-serviceable parts. Any repairs should be performed by an authorized service representative.

Part/Accessory	Cleaning Method
<b>Main Unit</b>	To clean the main unit and the control panel, wipe them clean with a damp cloth. <b>NOTE: NEVER</b> immerse the main unit in water or any other liquid. <b>NEVER</b> clean the main unit in a dishwasher.
<b>Crumb Tray</b>	Clean with a damp cloth and mild dish soap. Air-dry or towel-dry all parts after cleaning. <i>Note: After each use, slide out the crumb tray and discard crumbs.</i>
<b>Drawer Wire Rack</b>	Clean with a damp cloth and mild dish soap. Air-dry or towel-dry all parts after cleaning.
<b>Grill Plate</b>	Clean with a damp cloth and mild dish soap. Air-dry or towel-dry all parts after cleaning.
<b>Grill Plate Lid</b>	Clean with a damp cloth and mild dish soap. Air-dry or towel-dry all parts after cleaning.
<b>Splash Guard</b>	Clean with a damp cloth and mild dish soap. Air-dry or towel-dry all parts after cleaning.
<b>Power cord</b>	Clean with a soft, damp cloth or sponge. Wipe dry.

To clean the main unit, you can open the upper heating tube to better clean the inside.

After each use, slide out the crumb tray and discard crumbs.



## Storage

- Clean and dry the appliance and all accessories.
- Store the oven in an upright position. Do not store anything on top.

# TROUBLESHOOTING

Problem	Possible Solution
<b>The appliance will not turn on.</b>	<p>Make sure the power cord is securely plugged into the outlet.</p> <ul style="list-style-type: none"> <li>• Insert the power cord into a different outlet.</li> <li>• Reset the circuit breaker if necessary.</li> <li>• Press the power button.</li> </ul>
<b>Food is not completely cooked.</b>	Increase cooking temperature or time
<b>Food is overcooked or burned.</b>	<ul style="list-style-type: none"> <li>• Decrease cooking temperature or time.</li> <li>• Make sure food items are not too large and are not touching the heating elements.</li> </ul>
<b>Food is cooked unevenly.</b>	<ul style="list-style-type: none"> <li>• Make sure food items are not too closely packed into a Grill Plate or Drawer Wire Rack.</li> <li>• Preheat the appliance before cooking.</li> </ul>
<b>White smoke or steam is coming out of the oven.</b>	<ul style="list-style-type: none"> <li>• The appliance may produce some white smoke or steam during cooking. This is normal.</li> <li>• During first use, dust from the packing process may cause white smoke. This is normal for many other kitchen appliances. To eliminate any dust, see Test Run.</li> <li>• Excess oil or fatty foods may produce white smoke. Make sure the inside of the oven is cleaned properly and free of grease.</li> </ul>
<b>Dark smoke is coming out of the oven.</b>	Immediately press "START/PAUSE" knob and unplug your oven. Food is burning. Wait for smoke to clear before opening the oven door.
<b>A thermometer shows that the appliance temperature is different from the appliance setting.</b>	Commonly used thermometers may have low sensitivity and take over 10 minutes to measure the correct temperature. This will not affect cooking

Problem	Possible Solution
<b>Display shows error code "E1".</b>	<ul style="list-style-type: none"> <li>• There is a short circuit in the temperature monitor.</li> <li>• Contact Customer Support .</li> </ul>
<b>Display shows error code "E2".</b>	<ul style="list-style-type: none"> <li>• There is a short circuit in the temperature monitor.</li> <li>• Contact Customer Support .</li> </ul>
<b>Why did a circuit breaker trip while using the unit?</b>	The unit uses 1500 watts of power, so it must be plugged into an outlet on a 15-amp circuit breaker. It is also important that the unit be the only appliance plugged into an outlet when in use. To avoid tripping a breaker, make sure the unit is the only appliance plugged into an outlet on a 15-amp breaker.
<b>Why is water dripping onto the counter from under the door?</b>	This is normal. The condensation created by foods with a high moisture content (such as frozen breads) may run down the inside of the door and drip onto the counter.
<b>Why is steam coming out from the oven door?</b>	This is normal. Foods with a high moisture content may release steam around the door.
<b>Why do the heating elements appear to be turning on and off?</b>	This is normal. The oven is designed to control temperature precisely for every function by adjusting the heating elements' power levels.

*If your problem is not listed, please contact Customer Support .*

# WARNING INFORMATION

---

Product:	GRIDDLE AND OVEN COMBO
Model:	
<i>For your own reference, we strongly recommend that you record your order ID and date of purchase.</i>	
Order ID:	
Date of Purchase:	

## TERMS & POLICY

BRAND warrants this product to the original purchaser to be free

From defects in material and workmanship, under normal use and conditions, for a period of one year from the date of original purchase.

BRAND agrees, at our option during the warranty period, to repair any defect in material or workmanship or furnish an equal product in exchange without charge, subject to verification of the defect or malfunction and proof of the date of purchase.

### **There is no other express warranty. This warranty does not apply:**

- If the product has been modified from its original condition;
- If the product has not been used in accordance with directions and instructions in the user manual;
- To damages or defects caused by accident, abuse, misuse or improper or inadequate maintenance;
- To damages or defects caused by service or repair of the product performed by an unauthorized service provider or by anyone other than BRAND;
- To damages or defects occurring during commercial use, rental use, or any use for which the product is not intended;
- To damages or defects exceeding the cost of the product.

BRAND will not be liable for indirect, incidental, or consequential damages in connection with the use of the product covered by this warranty.

This warranty extends only to the original consumer purchaser of the product and is not transferable to any subsequent owner of the product regardless of whether the product is transferred during the specified term of the warranty.

This warranty does not extend to products purchased from unauthorized sellers. BRAND's warranty extends only to products purchased from authorized sellers that are subject to BRAND's quality controls and have agreed to follow its quality controls.

---

## **ALL IMPLIED WARRANTIES ARE LIMITED TO THE PERIOD OF THIS LIMITED WARRANTY.**

This warranty gives you specific legal rights and you may also have other rights which vary from state to state. Some states do not allow the exclusion or limitation of incidental or consequential damages, so the above limitation or exclusion may not apply to you.

If you discover that your product is defective within the specified warranty period, please contact Customer Support via E-mail. DO NOT dispose of your product before contacting. Once our Customer Support Team has approved your request, please return the product with a copy of the invoice and order ID.